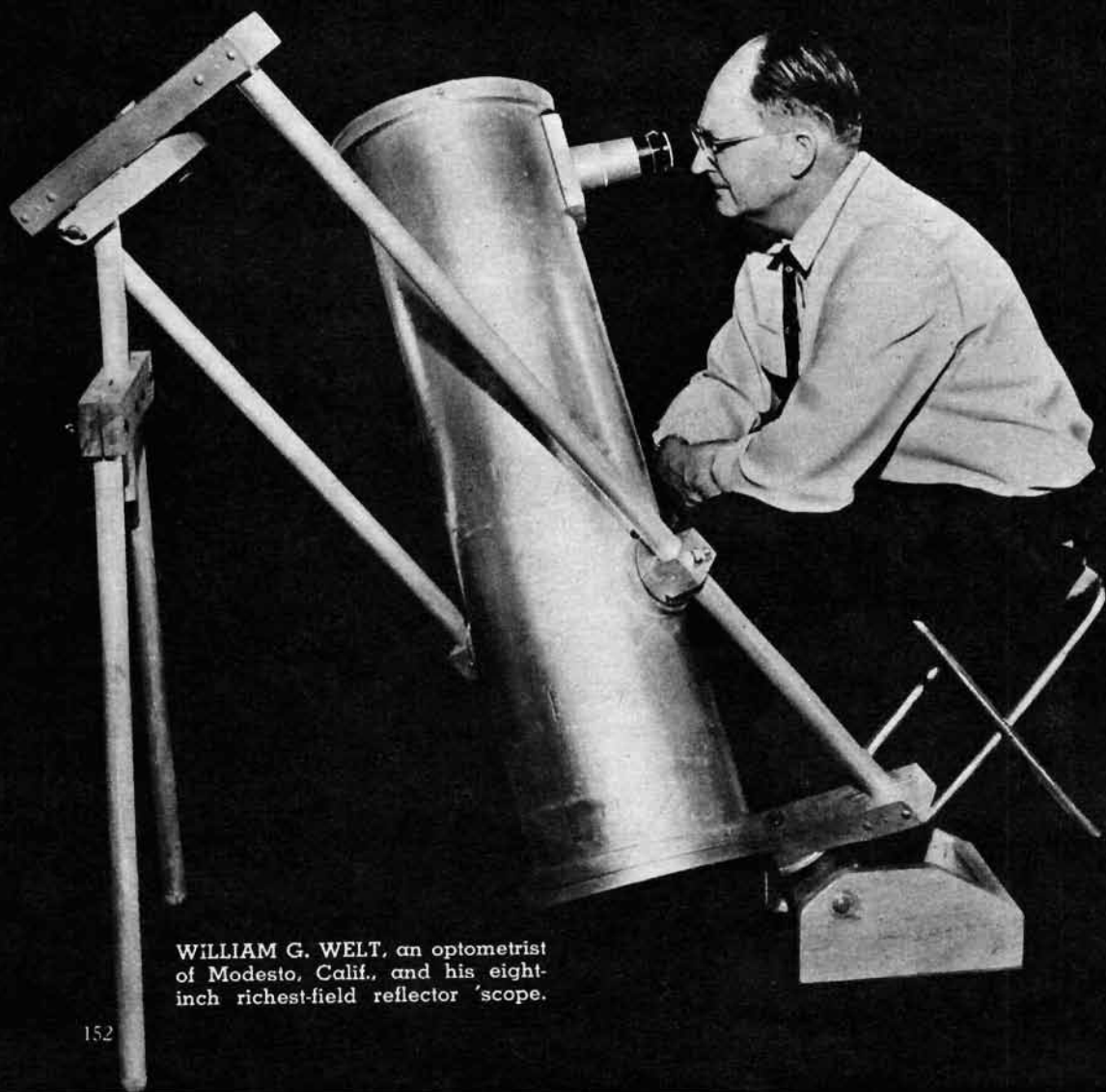


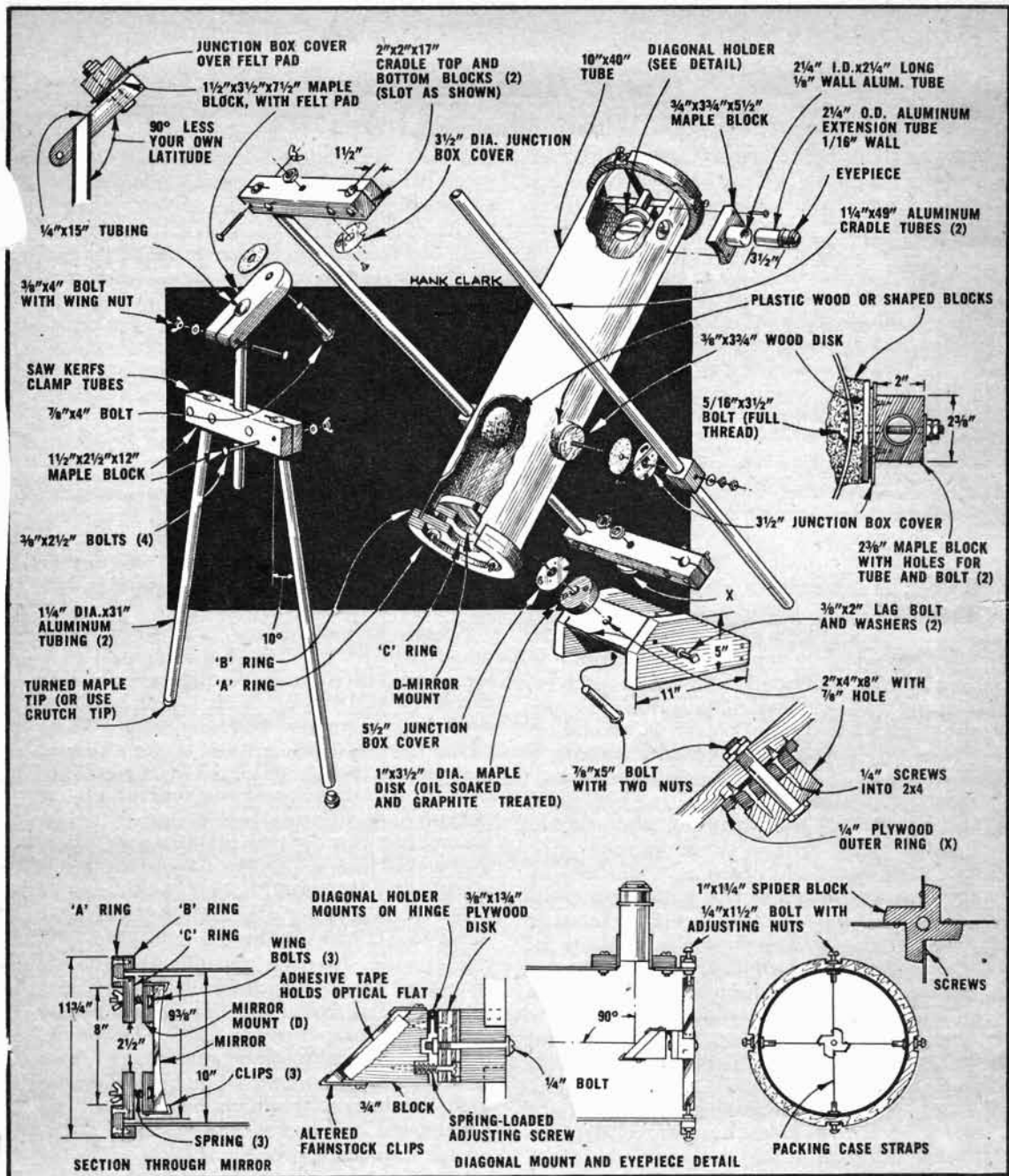


**The Amateur  
Telescope  
Maker's Page**

# A Richest-Field Telescope



**WILLIAM G. WELT**, an optometrist of Modesto, Calif., and his eight-inch richest-field reflector 'scope.



A RICH-FIELD telescope is an instrument that covers a fairly large segment of the sky and has good light-gathering ability. For viewing nebulae, the Milky Way and the moon, it can't be surpassed. The best RFT (richest-field telescope) of the reflecting type is one having a 7-inch diameter mirror of f-4

value or about 29-inch focal length. A fairly long eyepiece of at least one inch or more in focal length should be used.

Inasmuch as Pyrex telescope blanks do not come in seven-inch diameters, the eight-inch diameter was selected. To reduce diffraction effects a bit, f-5 was selected [Continued on page 190]

## OPTICAL BARGAINS

An Astonishing War Surplus Bargain

### M-70 3 POWER TELESCOPE

2 of these Easily Converted into 20 Power Terrestrial Telescope  
Worth \$75.00 each — You Buy Low as \$4.00

These telescopes were made for the Govt. by a leading American optical manufacturer. A June 1956 MECHANIX ILLUSTRATION article tells how easy it is to make conversion. Telescope consists of a Kellner Eyepiece, reticle, 2 achromatic erector lenses, 1 achromatic objective lens (25mm dia.) and a protective window. Sturdy steel and brass—length 22 1/2", 1 1/2" field. All optics low reflection coated. By removing 3 screws you can separate scope into 2 pieces, one of which makes an excellent 6 power finder for an astronomical telescope. Stock No. 80,085-B... (boxed—new or near new).....\$7.50 Postpd. Stock No. 80,081-B... (Used—good condition).....\$4.00 Postpd. The mounting rings from our Astronomical Telescope finder can be used on the above M-70 Telescope. Stock No. 50,075-B... Ring Mounts per pair.....\$3.95 Postpd.



See the Stars, Moon, Planets Close Up!

### 3" PALOMAR, Jr. REFLECTING TELESCOPE

60 & 120 Power—An Unusual Buy!

You'll see the Rings of Saturn, the fascinating planet Mars, huge craters on the Moon, Star Clusters, Moons of Jupiter in detail, Galaxies! Aluminized and over-coated 3" diameter high-speed f/10 ventilated mirror. Telescope comes equipped with a 60X eyepiece and a mounted Barlow Lens, giving you 60 & 120 power. An Optical Finder Telescope, always so essential, is also included. Sturdy, hardwood, portable tripod. Free with scope: Valuable STAR CHART and 136 page book, "Discover the Stars." Stock No. 85,050-B.....\$29.50 f.o.b. (Shipping wt. 10 lbs.).....Barrington, N. J.

### "FUN WITH OPTICS"

Tells How to Build Your Own Optical Instrument

Just out 32 exciting pages! Easily understood, diagrammed instructions for building telephoto lenses, telescopes, microscopes, artist drawing projectors, slide viewers, close-up camera lenses, binoculars, riflescopes, etc. We can furnish the lenses, prisms and parts you'll need. Right now order your copy of "FUN WITH OPTICS." Stock No. 9050-B.....50c postpaid



### WRITE FOR FREE CATALOG "B"!

Complete Line of Astronomical Telescope Parts and Assembled Telescopes. Also huge selection of lenses, prisms, war surplus optical instruments, parts and accessories. Telescopes, microscopes, binoculars, etc. Request Catalog "B"!

EDMUND SCIENTIFIC CO., Barrington, N. J.

## NEW! DISCOVERY!

### SAVES PLUMBING BILLS



### CLEANS INSTANTLY

CHICAGO—March 1st—Home Owners, Offices, Apartments, including Factories are constantly having trouble with clogged-up pipes which proves expensive in Costly Plumbing Bills—

But now—using Water Impact and Air Pressure, here is a new unit called the Plumber's Flushing Gun, which cleans all lines up to 100 ft. It will open any number of bends in pipes. Yet anyone can operate this new gun, which triggers easily.

TOILETS, URINALS, SINKS, and FLOOR DRAINS clogged with paper, grease, rags, sand, and other debris can be cleared with one or more shots from the gun, saving the owner the Gun's price the first time it is used. This new Flushing Gun may be used on any 1/2 to 6 inch waste pipe including Sink Drains, Floor Drains, Hot Water Pipes, Drinking Fountains, Septic Tanks, and Urinals. Obstructions melt away INSTANTLY when struck by the hammer like blow of this new unit.

AMAZINGLY EFFECTIVE a hose attachment from the faucet (not shown here) leads water thru the Gun and pipe while at the same time air is released causing a Powerful Chain reaction.

This New Flushing Gun is offered on 30 Days Free Trial. BUT MOST IMPORTANT IS THIS—What is this Tool worth in Costly Plumbing Bills Saved in your Home or building? For your own good—Tear this Ad out now and write your name and address beside Ad for FREE BOOKLET. No agent will call—Obey that urge, mail now or write postcard. (Chicago Phone Kildare 5-1702) MILLER SEWER TOOLS, DEPT. M1-3, 4642 N. CENTRAL AVE., CHICAGO 30, ILLINOIS.

## Richest-Field Telescope

[Continued from page 153]

as the focal ratio. This permits use of a 1 3/4-inch diagonal in conjunction with Edmund's 3/4-inch Erfle eyepiece. The resultant field of view is about 2° (four moon-diameters) and coma is not objectionable. No vignetting of the field was observed.

The North Polar regions are easily viewed by placing the telescope so that the north pier is at the south. This may seem like blasphemy for an equatorial mount such as this, but in this case it is practical because of the relatively low magnification (32x).

There are four bearings in this mounting and each presents approximately 8 1/2 sq. in. of movable surface to approximately the same area of non-moving surface. These bearings are very sturdy, easy-moving, easily adjusted, inexpensive and easy to build. The bearings keep the telescope "put" and there is absolutely no vibration or loose play.

The center of balance of the telescope

### 250 POWER....



Complete Telescope Lens Kit only \$3.49 postpaid  
Conquer Space, Explore the Universe, Planets, Moon Craters, New Stars, etc. Complete Lens Kit consists of 80 inch focal length ground and polished objective lens, eyepiece lenses for 30 POWER, 100 POWER, 150 POWER, 200 POWER, 250 POWER, and all necessary lens fittings. Easy to make from simple step by step instructions. (Tripod and mount not included.) Money back guarantee.

BUSSE SALES CO., Hartford 1, Conn., Dept. ML-49

## SKYSCOPE

The 3 1/2" dia. reflector, astronomical telescope 100% American made. Completely mounted. Used by schools and universities for over 15 years. Unconditionally guaranteed. \$29.75. Descriptive literature on request.

THE SKYSCOPE CO., Inc.  
475-M Fifth Ave., 17, N. Y.

### SAVE! BUY TELESCOPE PARTS DIRECT FROM MFGR.

FREE CATALOG UPON REQUEST. Finished Optics, all types of telescopic mountings and parts. Mounted Eye Systems and Diagonals, Grinding Materials, Pitch and Polishing Materials. Also assembled scopes; all sizes. Money Back guaranteed on all products.

ESCO PRODUCTS  
Oakridge, N. J.

### BUILD Your Own Telescope KITS

Latest kit has materials for grinding and polishing mirrors, or you can easily assemble G2 telescope kit which contains completely finished parabolic or spherical mirror and all accessories. Also available, ready-to-use, assembled telescopes.

Mirrors—aluminized—with extra hard quartz coating.

FREE CATALOG INSTRUCTIONS 10c  
GARTH OPTICAL CO. G.P.O. Box 991 Springfield, Mass.

tube is found by balancing the tube (complete with mirror and eyepiece) on the edge of a 2x4. Mark the point of balance and exactly on the opposite side of the telescope tube mark a second point. These points locate the declination axes. Set up the different parts for each declination bearing as shown in the declination bearing detail and balance the telescope tube in the cradle. (The cradle and piers should be built first.) Balancing the telescope tube at this time will prevent it from leaning to one side or the other while it is loosely mounted on the two piers. Press wood dough or plastic wood all around in the space on one side of the telescope tube between the plywood disk and the telescope tube. Repeat the operation in the space on the other side. Allow two or three days for the wood dough to harden.

The cradle can be adjusted so the parts are on the same plane by pressing the cradle against a flat surface before the nuts get a final tightening. The diagonal holder is the four-vane type. Half-inch metal strap, as used in shipping cartons, is used for the vanes. This strap is discarded by hardware stores and may be had for the asking.

Place plastic bowl covers over the top of the telescope tube, eyepiece extension holder and the maple disk when the telescope is not in use. •

## 75 POWER TELESCOPE

\$3.98

VARIABLE EYEPIECE 25X-45X-75X—BRASS BODY

**NEW!** Three telescopes in one. 3 different magnifications. 25 power for ultra-bright images with 45 and 75 power for extra long range. Guaranteed to bring distant objects, people, sports events, ships, moon, stars, etc. Most powerful for anywhere near the money. 5 Sections. Closes to 1 ft. long. Contains 4 ground and polished lenses. Also used as a powerful compound microscope. Directions included. Mass production enables us to offer this instrument at amazing price of \$3.98. Nothing Else to Buy. We pay postage. Get yours at once.

CRITERION CO., 331 Church St., Hartford 1, Conn., Dept. BML-49

## TELESCOPE MAKERS

EVERYTHING FOR THE AMATEUR  
BUILD YOUR OWN TELESCOPE—EXPLORE SPACE

Thousands of our customers with no special training have built powerful precision telescopes with our quality supplies, instructions, & guidance. So can you. MIRROR MAKING KITS, Eyepieces, etc.

COMPLETE INSTRUCTIONS 10¢—FREE CATALOG

PRECISION OPTICAL SUPPLY CO.

1001-K EAST 163rd ST., NEW YORK 59, NEW YORK

NOW NO ONE CAN KEEP  
A SECRET FROM YOU!

20x-40x-60x only \$2.99  
TELESCOPE postpaid

Special. Order now  
got Free  
carrying  
case.

3-range  
all metal tele-  
scope magnifies up  
to 60 power. Watch ball  
games, look at the moon, stars,  
animals, distant buildings...up close.  
Bright aluminum tube, made for long use.  
Good on hikes, camping trips, can use either  
20x, 40x, or 60x power instantly. Variable focus eyepiece.  
No assembling, ready-to-use, no special instructions required.

Money back guarantee.  
Send cash, check  
or money  
order.

L. J. STONE, Dept. T-V-4, 1616 Oak St. • Santa Monica, Calif.

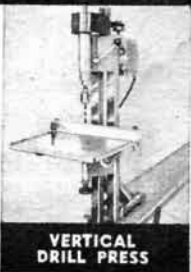


**I Made**  
**\$15 PER HOUR..**  
with  
my  
**SUPER-SHOP**



Every hour spent with SUPER-SHOP has been worth \$15 to me. Making it yourself is fun. SUPERSHOP is a complete, precision-built workshop. 100% ball bearing. Rugged tubular steel frame. Big capacity. 8 inch saw. Factory to you only \$79.95. Free trial. Easy pay plan. FREE catalog.

Write for FREE Catalog  
on Money Saving SUPERSHOP



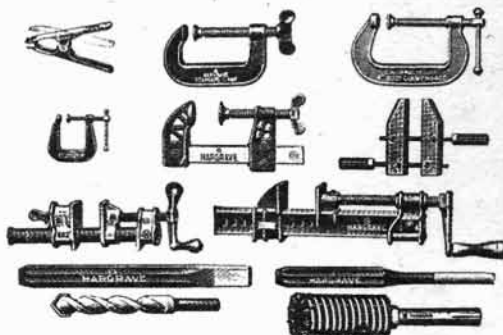
POWER TOOLS INC.

694 YATES AVE.  
BELOIT, WISCONSIN

## HARGRAVE

The Complete Line of Tested  
TOOLS

INDUSTRIAL QUALITY TOOLS  
FOR EVERY WORKSHOP



### WRITE FOR FREE CATALOG

Showing a complete line of Clamps for all purposes, openings from 1/4" to 12" and depths from 11/16" to 16", also Chisels, Punches, Masonry Drills for hand and power hammers, Carbide Rotary Drills, Gasket Cutters, File Cleaners, etc.

See Your Local Hardware Dealer  
THE CINCINNATI TOOL CO.

2012 WAVERLY AVE.

CINCINNATI 12, OHIO