

# RF/Microwave Amplifiers

Lucix offers an exceptionally wide range of **standard off-the-shelf** RF/Microwave amplifiers covering 0.01 GHz through 30 GHz, delivered quickly and at very affordable prices. Amplifiers are grouped into three broad classes:

- **Broadband** – octave bandwidths
- **Ultra-Broadband** - multi-octave bandwidth
- **Narrowband** - sub-octave bandwidths

Lucix Amplifiers reflect proven, **reliable thin-film hybrid** construction techniques and are based on well established circuit approaches including distributed, feedback, and balanced type designs. Our products utilize GaAs FET, HBT, and MMIC devices from a select number of suppliers and are lot qualified to minimize performance variation and maximize performance. Lucix Amplifiers are packaged in low-profile aluminum cases with convenient mounting holes and field removable SMA connectors.

Lucix is **ready to support your custom requirements** for single-function amplifier modules, multi-function integrated microwave assemblies, MIL-Spec screening, and qualification testing.

## Low Added Phase Noise

Our amplifiers exhibit exceptionally low added phase noise; **as low as -150 dBc at 1.0 kHz offset.**

## Limiting Amplifiers

Lucix offers an optional Output Power Limiting feature on all of its amplifier products, Narrowband or Broadband. Our Limiting Amplifiers exhibit **excellent output power flatness and very low harmonics.**

There are a number of popular options which we can be added to the basic amplifier requirement. This is only a sample of Lucix capabilities – give us a call and let's discuss your needs.

## Typical Options

- **Temperature Compensation**  
full military temperature range or as specified
- **Environmental Screening** per MIL-STD-883 or as specified
- **Hermetic Packaging**, laser welded housings, fine/gross seal testing
- **I/O Power Protection** circuitry
- **Built-In-Test (BITE)** circuitry and added Sample Ports
- **I/O digital PIN diode** RF Path Switching Networks
- **Variable Output Level Attenuation**
- **Power Limiting**

## Table of Contents

Ultra-Broadband Amplifiers		Broadband Amplifiers		Narrowband Amplifiers	
Frequency	Page #	Frequency	Page #	Frequency	Page #
0.5 - 3.0 GHz	3	2.0 - 4.0 GHz	9	1.2 - 1.6 GHz	20
0.1 - 4.0 GHz	3	2.0 - 6.0 GHz	10	2.7 - 2.9 GHz	21
0.01 - 6.0 GHz	4	4.0 - 8.0 GHz	11	5.4 - 5.9 GHz	22
0.01 - 10 GHz	5	4.0 - 10.0 GHz	12	9.5 - 10.5 GHz	23
0.5 - 18.0 GHz	6	6.0 - 12.0 GHz	13	14.0 - 14.5 GHz	24
2.0 - 18.0 GHz	7	8.0 - 12.0 GHz	14	13.75 - 15.4 GHz	25
0.1 - 20.0 GHz	8	6.0 - 18.0 GHz	15	17.7 - 18.3 GHz	26
		8.0 - 18.0 GHz	16		
		12.0 - 18.0 GHz	17		
		18.0 - 26.5 GHz	18		
		15.0 - 30.0 GHz	19		

## 0.5 -3.0 GHz

Model Number	Frequency Range (GHz)	Output Power P-1dB min. (dBm)	IP3 typical (dBm)	Gain min. (dB)	Gain Flatness max. (±dB)	Noise Figure max. (dB)	VSWR In/Out max.	Current Draw 12 - 15 VDC typical (mA)	Outline
S005030L1501	0.5 -3.0	15	25	15	0.50	1.3	2.0:1	60	SK2
S005030L3001	0.5 -3.0	15	25	30	0.75	1.3	2.0:1	100	SK3
S005030L4501	0.5 -3.0	15	25	45	1.00	1.3	2.0:1	130	SK4
S005030L1502	0.5 -3.0	20	30	15	0.50	1.5	2.0:1	100	SK2
S005030L3002	0.5 -3.0	20	30	30	0.75	1.5	2.0:1	150	SK3
S005030L4502	0.5 -3.0	20	30	45	1.00	1.5	2.0:1	200	SK4
S005030L1201	0.5 -3.0	23	33	12	0.50	3.0	2.0:1	120	SK2
S005030L2701	0.5 -3.0	23	33	27	0.75	1.5	2.0:1	180	SK3
S005030L4201	0.5 -3.0	23	33	42	1.00	1.5	2.0:1	240	SK4

## 0.1 -4.0 GHz

Model Number	Frequency Range (GHz)	Output Power P-1dB min. (dBm)	IP3 typical (dBm)	Gain min. (dB)	Gain Flatness max. (±dB)	Noise Figure max. (dB)	VSWR In/Out max.	Current Draw 12 - 15 VDC typical (mA)	Outline
S001040L1401	0.1 -4.0	13	23	14	0.50	1.5*	2.0:1	50	SK2
S001040L2801	0.1 -4.0	13	23	28	0.75	1.6*	2.0:1	90	SK3
S001040L4201	0.1 -4.0	13	23	42	1.00	1.6*	2.0:1	130	SK4
S001040L1501	0.1 -4.0	20	30	15	0.50	2.0*	2.0:1	110	SK2
S001040L3001	0.1 -4.0	20	30	30	0.75	1.5*	2.0:1	160	SK3
S001040L4501	0.1 -4.0	20	30	45	1.00	1.5*	2.0:1	250	SK4
S001040M1201	0.1 -4.0	23	33	12	0.50	3.0*	2.0:1	120	SK2
S001040M2701	0.1 -4.0	23	33	27	0.75	1.5*	2.0:1	180	SK3
S001040M4201	0.1 -4.0	23	33	42	1.00	1.5*	2.0:1	240	SK4

Operating Temperature 0 to 70°C

Specified Performance guaranteed @ 25 °C

Military and Space Specifications and Screening Available

\* Noise Figure Increases Below 250MHz

## 0.01 -6.0 GHz

Model Number	Frequency Range (GHz)	Output Power P-1dB min. (dBm)	IP3 typical (dBm)	Gain min. (dB)	Gain Flatness max. ( $\pm$ dB)	Noise Figure max. (dB)	VSWR In/Out max.	Current Draw 12 - 15 VDC typical (mA)	Outline
S10M060L2001	0.01 - 6.0	10	20	20	1.00	2.5*	1.8:1	100	LK3
S10M060L3001	0.01 - 6.0	10	20	30	1.25	2.5*	1.8:1	150	LK4
S10M060L4001	0.01 - 6.0	10	20	40	1.50	2.5*	1.8:1	200	LK5
S10M060L1801	0.01 - 6.0	13	23	18	1.00	3.0*	1.8:1	130	LK3
S10M060L2801	0.01 - 6.0	13	23	28	1.25	2.5*	1.8:1	180	LK4
S10M060L3801	0.01 - 6.0	13	23	38	1.50	2.5*	1.8:1	230	LK5
S10M060L1802	0.01 - 6.0	17	27	18	1.00	3.5*	1.8:1	160	LK3
S10M060L2802	0.01 - 6.0	17	27	28	1.25	2.5*	1.8:1	210	LK4
S10M060L3802	0.01 - 6.0	17	27	38	1.50	2.5*	1.8:1	260	LK5
S10M060L1803	0.01 - 6.0	20	30	18	1.00	4.0*	1.8:1	180	LK3
S10M060L2803	0.01 - 6.0	20	30	28	1.25	2.8*	1.8:1	230	LK4
S10M060L3803	0.01 - 6.0	20	30	38	1.50	2.5*	1.8:1	280	LK5
S10M060M1601	0.01 - 6.0	23**	33	16	1.00	5.0*	2.0:1	210	LK3
S10M060M2601	0.01 - 6.0	23**	33	26	1.25	3.5*	2.0:1	260	LK4
S10M060M3601	0.01 - 6.0	23**	33	36	1.50	3.0*	2.0:1	310	LK5

Operating Temperature 0 to 70°C

Specified Performance guaranteed @ 25 °C

Military and Space Specifications and Screening Available

\* Noise figure increases below 250 MHz

\*\* P1dB rated above 100 MHz

## 0.01 -10.0 GHz

Model Number	Frequency Range (GHz)	Output Power P-1dB min. (dBm)	IP3 typical (dBm)	Gain min. (dB)	Gain Flatness max. (±dB)	Noise Figure max. (dB)	VSWR In/Out max.	Current Draw 12 - 15 VDC typical (mA)	Outline
S10M100L1801	0.01 - 10.0	10	20	18	1.00	3.0*	2.0:1	100	LK3
S10M100L2801	0.01 - 10.0	10	20	28	1.25	3.0*	2.0:1	150	LK4
S10M100L3801	0.01 - 10.0	10	20	38	1.50	3.0*	2.0:1	200	LK5
S10M100L1802	0.01 - 10.0	13	23	18	1.00	3.5*	2.0:1	130	LK3
S10M100L2802	0.01 - 10.0	13	23	28	1.25	2.5*	2.0:1	180	LK4
S10M100L3802	0.01 - 10.0	13	23	38	1.50	2.5*	2.0:1	230	LK5
S10M100L1803	0.01 - 10.0	17	27	18	1.00	3.5*	2.0:1	160	LK3
S10M100L2803	0.01 - 10.0	17	27	28	1.25	2.5*	2.0:1	210	LK4
S10M100L3803	0.01 - 10.0	17	27	38	1.50	2.5*	2.0:1	260	LK5
S10M100L1804	0.01 - 10.0	20	30	18	1.00	4.0*	2.0:1	180	LK3
S10M100L2804	0.01 - 10.0	20	30	28	1.25	2.8*	2.0:1	230	LK4
S10M100L3804	0.01 - 10.0	20	30	38	1.50	2.5*	2.0:1	280	LK5
S10M060M1601	0.01 - 10.0	23**	33	16	1.00	5.0*	2.0:1	300	LK3
S10M060M2601	0.01 - 10.0	23**	33	26	1.25	3.5*	2.0:1	400	LK4
S10M060M3601	0.01 - 10.0	23**	33	36	1.50	3.0*	2.0:1	450	LK5

Operating Temperature 0 to 70°C

Specified Performance guaranteed @ 25 °C

Military and Space Specifications and Screening Available

\* Noise figure increases below 250 MHz

\*\* P1dB rated above 100 MHz

## 0.5 -18.0 GHz

Model Number	Frequency Range (GHz)	Output Power P-1dB min. (dBm)	IP3 typical (dBm)	Gain min. (dB)	Gain Flatness max. (±dB)	Noise Figure max. (dB)	VSWR In/Out max.	Current Draw 12 - 15 VDC typical (mA)	Outline
S005180L1601	0.5 - 18.0	8	16	16	1.00	3.0	2.0:1	100	LK3
S005180L2401	0.5 - 18.0	8	16	24	1.25	3.0	2.0:1	150	LK4
S005180L3201	0.5 - 18.0	8	16	32	1.50	3.0	2.0:1	200	LK5
S005180L1602	0.5 - 18.0	10	18	16	1.00	3.3	2.0:1	110	LK3
S005180L2402	0.5 - 18.0	10	18	24	1.25	3.0	2.0:1	160	LK4
S005180L3202	0.5 - 18.0	10	18	32	1.50	3.0	2.0:1	210	LK5
S005180L1603	0.5 - 18.0	13	21	16	1.00	3.3	2.0:1	120	LK3
S005180L2403	0.5 - 18.0	13	21	24	1.25	3.0	2.0:1	170	LK4
S005180L3203	0.5 - 18.0	13	21	32	1.50	3.0	2.0:1	220	LK5
S005180L1604	0.5 - 18.0	17	25	16	1.00	3.5	2.0:1	150	LK3
S005180L2404	0.5 - 18.0	17	25	24	1.25	3.0	2.0:1	200	LK4
S005180L3204	0.5 - 18.0	17	25	32	1.50	2.8	2.0:1	250	LK5
S005180L1605	0.5 - 18.0	20	28	16	1.00	4.0	2.0:1	180	LK3
S005180L2405	0.5 - 18.0	20	28	24	1.25	3.5	2.0:1	230	LK4
S005180L3205	0.5 - 18.0	20	28	32	1.50	2.8	2.0:1	280	LK5
S005180M1601	0.5 - 18.0	22	30	16	1.00	5.0	2.0:1	260	LK3
S005180M2401	0.5 - 18.0	22	30	24	1.25	3.5	2.0:1	310	LK4
S005180M3201	0.5 - 18.0	22	30	32	1.50	3.0	2.0:1	360	LK5

Operating Temperature 0 to 70°C

Specified Performance guaranteed @ 25 °C

Military and Space Specifications and Screening Available

## 2.0 -18.0 GHz

Model Number	Frequency Range (GHz)	Output Power P-1dB min. (dBm)	IP3 typical (dBm)	Gain min. (dB)	Gain Flatness max. (±dB)	Noise Figure max. (dB)	VSWR In/Out max.	Current Draw 12 - 15 VDC typical (mA)	Outline
S020180L1601	2.0 - 18.0	8	16	16	1.00	2.8	2.0:1	100	LK3
S020180L2401	2.0 - 18.0	8	16	24	1.25	2.8	2.0:1	150	LK4
S020180L3201	2.0 - 18.0	8	16	32	1.50	2.8	2.0:1	200	LK5
S020180L1602	2.0 - 18.0	10	18	16	1.00	2.8	2.0:1	110	LK3
S020180L2402	2.0 - 18.0	10	18	24	1.25	2.8	2.0:1	160	LK4
S020180L3202	2.0 - 18.0	10	18	32	1.50	2.8	2.0:1	210	LK5
S020180L1603	2.0 - 18.0	13	21	16	1.00	3.0	2.0:1	120	LK3
S020180L2403	2.0 - 18.0	13	21	24	1.25	2.8	2.0:1	170	LK4
S020180L3203	2.0 - 18.0	13	21	32	1.50	2.8	2.0:1	220	LK5
S020180L1604	2.0 - 18.0	17	25	16	1.00	3.5	2.0:1	150	LK3
S020180L2404	2.0 - 18.0	17	25	24	1.25	3.0	2.0:1	200	LK4
S020180L3204	2.0 - 18.0	17	25	32	1.50	2.8	2.0:1	250	LK5
S020180L1605	2.0 - 18.0	20	28	16	1.00	4.0	2.0:1	180	LK3
S020180L2405	2.0 - 18.0	20	28	24	1.25	3.5	2.0:1	230	LK4
S020180L3205	2.0 - 18.0	20	28	32	1.50	2.8	2.0:1	280	LK5
S020180M1601	2.0 - 18.0	22	30	16	1.00	5.0	2.0:1	260	LK3
S020180M2401	2.0 - 18.0	22	30	24	1.25	3.5	2.0:1	310	LK4
S020180M3201	2.0 - 18.0	22	30	32	1.50	3.0	2.0:1	360	LK5

Operating Temperature 0 to 70°C  
 Specified Performance guaranteed @ 25 °C  
 Military and Space Specifications and Screening Available

## 0.1 -20.0 GHz

Model Number	Frequency Range (GHz)	Output Power P-1dB min. (dBm)	IP3 typical (dBm)	Gain min. (dB)	Gain Flatness max. (±dB)	Noise Figure max. (dB)	VSWR In/Out max.	Current Draw 12 - 15 VDC typical (mA)	Outline
S001200L1601	0.1 - 20.0	8	16	16	1.00	3.0*	2.2:1	100	LK3
S001200L2401	0.1 - 20.0	8	16	24	1.25	3.0*	2.2:1	150	LK4
S001200L3201	0.1 - 20.0	8	16	32	1.50	3.0*	2.2:1	200	LK5
S001200L1602	0.1 - 20.0	10	18	16	1.00	3.3*	2.2:1	110	LK3
S001200L2402	0.1 - 20.0	10	18	24	1.25	3.0*	2.2:1	160	LK4
S001200L3202	0.1 - 20.0	10	18	32	1.50	3.0*	2.2:1	210	LK5
S001200L1603	0.1 - 20.0	13	21	16	1.00	3.3*	2.2:1	120	LK3
S001200L2403	0.1 - 20.0	13	21	24	1.25	3.0*	2.2:1	170	LK4
S001200L3203	0.1 - 20.0	13	21	32	1.50	3.0*	2.2:1	220	LK5
S001200L1604	0.1 - 20.0	17	25	16	1.00	3.5*	2.2:1	180	LK3
S001200L2404	0.1 - 20.0	17	25	24	1.25	3.2*	2.2:1	230	LK4
S001200L3204	0.1 - 20.0	17	25	32	1.50	3.0*	2.2:1	280	LK5
S001200L1605	0.1 - 20.0	20	28	16	1.00	4.0*	2.2:1	210	LK3
S001200L2405	0.1 - 20.0	20	28	24	1.25	3.5*	2.2:1	260	LK4
S001200L3205	0.1 - 20.0	20	28	32	1.50	3.0*	2.2:1	310	LK5

Operating Temperature 0 to 70°C

Specified Performance guaranteed @ 25 °C

Military and Space Specifications and Screening Available

\* Noise figure increases below 250 MHz

## 2.0 - 4.0 GHz

Model Number	Frequency Range (GHz)	Output Power P-1dB min. (dBm)	IP3 typical (dBm)	Gain min. (dB)	Gain Flatness max. ( $\pm$ dB)	Noise Figure max. (dB)	VSWR In/Out max.	Current Draw 12 - 15 VDC typical (mA)	Outline
S020040L1601	2.0 - 4.0	10	20	16	0.50	1.5	2.0:1	50	SK2
S020040L3201	2.0 - 4.0	10	20	32	0.75	1.5	2.0:1	90	SK3
S020040L4801	2.0 - 4.0	10	20	48	1.00	1.5	2.0:1	130	SK4
S020040L1602	2.0 - 4.0	14	24	16	0.50	2.0	2.0:1	70	SK2
S020040L3202	2.0 - 4.0	14	24	32	0.75	1.5	2.0:1	110	SK3
S020040L4802	2.0 - 4.0	14	24	48	1.00	1.5	2.0:1	150	SK4
S020040L1603	2.0 - 4.0	17	27	16	0.50	2.5	2.0:1	90	SK2
S020040L3203	2.0 - 4.0	17	27	32	0.75	2.0	2.0:1	130	SK3
S020040L4803	2.0 - 4.0	17	27	48	1.00	1.5	2.0:1	170	SK4
S020040L1604	2.0 - 4.0	20	30	16	0.50	3.3	2.0:1	120	SK2
S020040L3204	2.0 - 4.0	20	30	32	0.75	3.0	2.0:1	160	SK3
S020040L4804	2.0 - 4.0	20	30	48	1.00	2.5	2.0:1	200	SK4
S020040M1501	2.0 - 4.0	24	34	15	0.50	3.5	2.0:1	150	SK2
S020040M3101	2.0 - 4.0	24	34	31	0.75	3.0	2.0:1	200	SK3
S020040M4601	2.0 - 4.0	24	34	46	1.00	2.5	2.0:1	250	SK4
S020040M1502	2.0 - 4.0	27	37	15	0.50	4.0	2.0:1	300	SK2
S020040M3102	2.0 - 4.0	27	37	31	1.00	3.5	2.0:1	380	SK3
S020040M4602	2.0 - 4.0	27	37	46	1.25	2.5	2.0:1	430	SK4
S020040P1201	2.0 - 4.0	30	40	12	0.50	4.5	2.0:1	550	SK2
S020040P2801	2.0 - 4.0	30	40	28	1.00	4.0	2.0:1	700	SK3
S020040P4301	2.0 - 4.0	30	40	43	1.25	2.8	2.0:1	750	SK4

Operating Temperature 0 to 70°C

Specified Performance guaranteed @ 25 °C

Military and Space Specifications and Screening Available



## 2.0 - 6.0 GHz

Model Number	Frequency Range (GHz)	Output Power P-1dB min. (dBm)	IP3 typical (dBm)	Gain min. (dB)	Gain Flatness max. (±dB)	Noise Figure max. (dB)	VSWR In/Out max.	Current Draw 12 - 15 VDC typical (mA)	Outline
S020060L1401	2.0 - 6.0	10	20	14	0.50	2.5	2.0:1	50	SK2
S020060L2801	2.0 - 6.0	10	20	28	0.75	2.5	2.0:1	90	SK3
S020060L4201	2.0 - 6.0	10	20	42	1.00	2.5	2.0:1	130	SK4
S020060L1402	2.0 - 6.0	14	24	14	0.50	2.5	2.0:1	70	SK2
S020060L2802	2.0 - 6.0	14	24	28	0.75	2.5	2.0:1	110	SK3
S020060L4202	2.0 - 6.0	14	24	42	1.00	2.5	2.0:1	150	SK4
S020060L1403	2.0 - 6.0	17	27	14	0.50	3.0	2.0:1	90	SK2
S020060L2803	2.0 - 6.0	17	27	28	0.75	2.5	2.0:1	130	SK3
S020060L4203	2.0 - 6.0	17	27	42	1.00	2.5	2.0:1	170	SK4
S020060L1301	2.0 - 6.0	20	30	13	0.50	3.5	2.0:1	120	SK2
S020060L2701	2.0 - 6.0	20	30	27	0.75	2.8	2.0:1	160	SK3
S020060L4101	2.0 - 6.0	20	30	41	1.00	2.5	2.0:1	200	SK4
S020060M1301	2.0 - 6.0	24	34	13	0.50	4.0	2.0:1	150	SK2
S020060M2701	2.0 - 6.0	24	34	27	0.75	2.8	2.0:1	200	SK3
S020060M4101	2.0 - 6.0	24	34	41	1.00	2.5	2.0:1	250	SK4
S020060M1201	2.0 - 6.0	27	37	12	0.50	5.5	2.0:1	370	SK2
S020060M2501	2.0 - 6.0	27	37	25	1.00	4.5	2.0:1	500	SK3
S020060M3901	2.0 - 6.0	27	37	39	1.25	3.0	2.0:1	550	SK4
S020060P1001	2.0 - 6.0	30	40	10	0.50	7.0	2.0:1	550	SK2
S020060P2301	2.0 - 6.0	30	40	23	1.00	6.0	2.0:1	700	SK3
S020060P3701	2.0 - 6.0	30	40	37	1.25	4.0	2.0:1	860	SK5

Operating Temperature 0 to 70°C

Specified Performance guaranteed @ 25 °C

Military and Space Specifications and Screening Available

## 4.0 -8.0 GHz

Model Number	Frequency Range (GHz)	Output Power P-1dB min. (dBm)	IP3 typical (dBm)	Gain min. (dB)	Gain Flatness max. (±dB)	Noise Figure max. (dB)	VSWR In/Out max.	Current Draw 12 - 15 VDC typical (mA)	Outline
S040080L1401	4.0 - 8.0	10	20	14	0.50	1.8	2.0:1	50	SK2
S040080L2801	4.0 - 8.0	10	20	28	0.75	1.8	2.0:1	90	SK3
S040080L4201	4.0 - 8.0	10	20	42	1.00	1.8	2.0:1	130	SK4
S040080L1402	4.0 - 8.0	14	24	14	0.50	2.0	2.0:1	70	SK2
S040080L2802	4.0 - 8.0	14	24	28	0.75	1.8	2.0:1	110	SK3
S040080L4202	4.0 - 8.0	14	24	42	1.00	1.8	2.0:1	150	SK4
S040080L1403	4.0 - 8.0	17	27	14	0.50	2.5	2.0:1	90	SK2
S040080L2803	4.0 - 8.0	17	27	28	0.75	2.0	2.0:1	130	SK3
S040080L4203	4.0 - 8.0	17	27	42	1.00	1.8	2.0:1	170	SK4
S040080L1404	4.0 - 8.0	20	30	14	0.50	3.0	2.0:1	120	SK2
S040080L2804	4.0 - 8.0	20	30	28	0.75	2.0	2.0:1	160	SK3
S040080L4204	4.0 - 8.0	20	30	42	1.00	1.8	2.0:1	200	SK4
S040080M1401	4.0 - 8.0	24	34	14	0.50	3.2	2.0:1	150	SK2
S040080M2801	4.0 - 8.0	24	34	28	0.75	2.2	2.0:1	200	SK3
S040080M4201	4.0 - 8.0	24	34	42	1.00	1.8	2.0:1	250	SK4
S040080M1201	4.0 - 8.0	27	37	12	0.50	4.0	2.0:1	370	SK2
S040080M2601	4.0 - 8.0	27	37	26	1.00	3.0	2.0:1	500	SK3
S040080M4001	4.0 - 8.0	27	37	40	1.25	2.0	2.0:1	550	SK4
S040080P0801	4.0 - 8.0	30	40	8	0.50	5.5	2.0:1	550	SK2
S040080P2001	4.0 - 8.0	30	40	20	1.00	3.5	2.0:1	700	SK3
S040080P3401	4.0 - 8.0	30	40	34	1.25	2.0	2.0:1	800	SK5

Operating Temperature 0 to 70°C  
 Specified Performance guaranteed @ 25 °C  
 Military and Space Specifications and Screening Available

## 4.0 -10.0 GHz

Model Number	Frequency Range (GHz)	Output Power P-1dB min. (dBm)	IP3 typical (dBm)	Gain min. (dB)	Gain Flatness max. ( $\pm$ dB)	Noise Figure max. (dB)	VSWR In/Out max.	Current Draw 12 - 15 VDC typical (mA)	Outline
S040100L1201	4.0 - 10.0	10	20	12	0.50	2.0	2.0:1	50	SK2
S040100L2401	4.0 - 10.0	10	20	24	0.75	2.3	2.0:1	90	SK3
S040100L3601	4.0 - 10.0	10	20	36	1.00	2.3	2.0:1	130	SK4
S040100L1202	4.0 - 10.0	14	24	12	0.50	2.5	2.0:1	70	SK2
S040100L2402	4.0 - 10.0	14	24	24	0.75	2.5	2.0:1	110	SK3
S040100L3602	4.0 - 10.0	14	24	36	1.00	2.5	2.0:1	150	SK4
S040100L1203	4.0 - 10.0	17	27	12	0.50	3.0	2.0:1	90	SK2
S040100L2403	4.0 - 10.0	17	27	24	0.75	2.5	2.0:1	130	SK3
S040100L3603	4.0 - 10.0	17	27	36	1.00	2.5	2.0:1	170	SK4
S040100L1204	4.0 - 10.0	20	30	12	0.50	3.5	2.0:1	120	SK2
S040100L2404	4.0 - 10.0	20	30	24	0.75	2.8	2.0:1	160	SK3
S040100L3604	4.0 - 10.0	20	30	36	1.00	2.5	2.0:1	200	SK4
S040100M1201	4.0 - 10.0	24	34	12	0.50	4.5	2.0:1	150	SK2
S040100M2401	4.0 - 10.0	24	34	24	0.75	3.0	2.0:1	200	SK3
S040100M3601	4.0 - 10.0	24	34	36	1.00	2.5	2.0:1	250	SK4
S040100M1001	4.0 - 10.0	27	37	10	0.50	5.5	2.0:1	370	SK2
S040100M2201	4.0 - 10.0	27	37	22	1.00	4.5	2.0:1	500	SK3
S040100M3401	4.0 - 10.0	27	37	34	1.25	3.0	2.0:1	550	SK4
S040100P0801	4.0 - 10.0	30	40	8	0.50	7.0	2.0:1	550	SK2
S040100P2001	4.0 - 10.0	30	40	20	1.00	6.0	2.0:1	700	SK3
S040100P3201	4.0 - 10.0	30	40	32	1.25	4.0	2.0:1	800	SK5

Operating Temperature 0 to 70°C

Specified Performance guaranteed @ 25 °C

Military and Space Specifications and Screening Available

## 6.0 - 12.0 GHz

Model Number	Frequency Range (GHz)	Output Power P-1dB min. (dBm)	IP3 typical (dBm)	Gain min. (dB)	Gain Flatness max. (±dB)	Noise Figure max. (dB)	VSWR In/Out max.	Current Draw 12 - 15 VDC typical (mA)	Outline
S060120L1201	6.0 - 12.0	10	20	12	0.50	2.0	2.0:1	50	SK2
S060120L2301	6.0 - 12.0	10	20	23	0.50	2.0	2.0:1	90	SK3
S060120L3401	6.0 - 12.0	10	20	34	0.75	2.0	2.0:1	130	SK4
S060120L4501	6.0 - 12.0	10	20	45	1.00	2.0	2.0:1	170	SK5
S060120L1202	6.0 - 12.0	14	24	12	0.50	2.3	2.0:1	70	SK2
S060120L2302	6.0 - 12.0	14	24	23	0.50	2.2	2.0:1	110	SK3
S060120L3402	6.0 - 12.0	14	24	34	0.75	2.2	2.0:1	150	SK4
S060120L4502	6.0 - 12.0	14	24	45	1.00	2.2	2.0:1	190	SK5
S060120L1203	6.0 - 12.0	17	27	12	0.50	3.5	2.0:1	90	SK2
S060120L2303	6.0 - 12.0	17	27	23	0.50	2.5	2.0:1	130	SK3
S060120L3403	6.0 - 12.0	17	27	34	0.75	2.5	2.0:1	170	SK4
S060120L4503	6.0 - 12.0	17	27	45	1.00	2.5	2.0:1	210	SK5
S060120L1204	6.0 - 12.0	20	30	12	0.50	4.0	2.0:1	120	SK2
S060120L2304	6.0 - 12.0	20	30	23	0.50	2.5	2.0:1	160	SK3
S060120L3404	6.0 - 12.0	20	30	34	0.75	2.5	2.0:1	200	SK4
S060120L4504	6.0 - 12.0	20	30	45	1.00	2.5	2.0:1	240	SK5
S060120M1101	6.0 - 12.0	24	34	11	0.50	4.0	2.0:1	150	SK2
S060120M2201	6.0 - 12.0	24	34	22	0.50	3.0	2.0:1	200	SK3
S060120M3301	6.0 - 12.0	24	34	33	0.75	2.8	2.0:1	250	SK4
S060120M4401	6.0 - 12.0	24	34	44	1.00	2.8	2.0:1	300	SK5
S060120M1001	6.0 - 12.0	27	37	10	0.50	5.0	2.0:1	370	SK2
S060120M2101	6.0 - 12.0	27	37	21	0.75	4.0	2.0:1	500	SK3
S060120M3201	6.0 - 12.0	27	37	32	1.00	3.0	2.0:1	550	SK4
S060120M4301	6.0 - 12.0	27	37	43	1.25	2.8	2.0:1	600	SK5
S060120P1601	6.0 - 12.0	30	40	16	0.75	6.0	2.0:1	650	SK4
S060120P2601	6.0 - 12.0	30	40	26	1.00	5.0	2.0:1	780	SK5
S060120P3601	6.0 - 12.0	30	40	36	1.25	4.0	2.0:1	860	SK6
S060120P4701	6.0 - 12.0	30	40	47	1.50	2.8	2.0:1	950	SK7

Operating Temperature 0 to 70°C

Specified Performance guaranteed @ 25 °C

Military and Space Specifications and Screening Available

## 8.0 - 12.0 GHz

Model Number	Frequency Range (GHz)	Output Power P-1dB min. (dBm)	IP3 typical (dBm)	Gain min. (dB)	Gain Flatness max. ( $\pm$ dB)	Noise Figure max. (dB)	VSWR In/Out max.	Current Draw 12 - 15 VDC typical (mA)	Outline
S080120L1201	8.0 - 12.0	10	20	12	0.50	2.0	1.8:1	50	SK2
S080120L2301	8.0 - 12.0	10	20	23	0.50	2.0	1.8:1	90	SK3
S080120L3401	8.0 - 12.0	10	20	34	0.75	2.0	1.8:1	130	SK4
S080120L4501	8.0 - 12.0	10	20	45	1.00	2.0	1.8:1	170	SK5
S080120L1202	8.0 - 12.0	14	24	12	0.50	2.3	1.8:1	70	SK2
S080120L2302	8.0 - 12.0	14	24	23	0.50	2.2	1.8:1	110	SK3
S080120L3402	8.0 - 12.0	14	24	34	0.75	2.2	1.8:1	150	SK4
S080120L4502	8.0 - 12.0	14	24	45	1.00	2.2	1.8:1	190	SK5
S080120L1203	8.0 - 12.0	17	27	12	0.50	3.5	1.8:1	90	SK2
S080120L2303	8.0 - 12.0	17	27	23	0.50	2.5	1.8:1	130	SK3
S080120L3403	8.0 - 12.0	17	27	34	0.75	2.5	1.8:1	170	SK4
S080120L4503	8.0 - 12.0	17	27	45	1.00	2.5	1.8:1	210	SK5
S080120L1204	8.0 - 12.0	20	30	12	0.50	4.0	1.8:1	120	SK2
S080120L2304	8.0 - 12.0	20	30	23	0.50	2.5	1.8:1	160	SK3
S080120L3404	8.0 - 12.0	20	30	34	0.75	2.5	1.8:1	200	SK4
S080120L4504	8.0 - 12.0	20	30	45	1.00	2.5	1.8:1	240	SK5
S080120M1101	8.0 - 12.0	24	34	11	0.50	4.0	1.8:1	150	SK2
S080120M2201	8.0 - 12.0	24	34	22	0.50	3.0	1.8:1	200	SK3
S080120M3301	8.0 - 12.0	24	34	33	0.75	2.8	1.8:1	250	SK4
S080120M4401	8.0 - 12.0	24	34	44	1.00	2.8	1.8:1	300	SK5
S080120M1001	8.0 - 12.0	27	37	10	0.50	5.0	1.8:1	370	SK2
S080120M2101	8.0 - 12.0	27	37	21	0.75	4.0	1.8:1	500	SK3
S080120M3201	8.0 - 12.0	27	37	32	1.00	3.0	1.8:1	550	SK4
S080120M4301	8.0 - 12.0	27	37	43	1.25	2.8	1.8:1	600	SK5
S080120P1601	8.0 - 12.0	30	40	16	0.75	6.0	1.8:1	650	SK4
S080120P2601	8.0 - 12.0	30	40	26	1.00	5.0	1.8:1	780	SK5
S080120P3601	8.0 - 12.0	30	40	36	1.25	4.0	1.8:1	860	SK6
S080120P4701	8.0 - 12.0	30	40	47	1.50	2.8	1.8:1	950	SK7

Operating Temperature 0 to 70°C  
 Specified Performance guaranteed @ 25 °C  
 Military and Space Specifications and Screening Available

## 6.0 - 18.0 GHz

Model Number	Frequency Range (GHz)	Output Power P-1dB min. (dBm)	IP3 typical (dBm)	Gain min. (dB)	Gain Flatness max. ( $\pm$ dB)	Noise Figure max. (dB)	VSWR In/Out max.	Current Draw 12 - 15 VDC typical (mA)	Outline
S060180L1001	6.0 - 18.0	10	20	10	0.50	2.3	2.0:1	50	SK2
S060180L1801	6.0 - 18.0	10	20	18	0.50	2.5	2.0:1	90	SK3
S060180L2601	6.0 - 18.0	10	20	26	0.75	2.5	2.0:1	130	SK4
S060180L3401	6.0 - 18.0	10	20	34	1.00	2.5	2.0:1	170	SK5
S060180L4201	6.0 - 18.0	10	20	42	1.25	2.5	2.0:1	210	SK6
S060180L5001	6.0 - 18.0	10	20	50	1.50	2.5	2.0:1	250	SK7
S060180L1002	6.0 - 18.0	14	24	10	0.50	2.5	2.0:1	70	SK2
S060180L1802	6.0 - 18.0	14	24	18	0.50	2.5	2.0:1	110	SK3
S060180L2602	6.0 - 18.0	14	24	26	0.75	2.5	2.0:1	150	SK4
S060180L3402	6.0 - 18.0	14	24	34	1.00	2.5	2.0:1	190	SK5
S060180L4202	6.0 - 18.0	14	24	42	1.25	2.5	2.0:1	230	SK6
S060180L5002	6.0 - 18.0	14	24	50	1.50	2.5	2.0:1	270	SK7
S060180L1003	6.0 - 18.0	17	27	10	0.50	3.5	2.0:1	90	SK2
S060180L1803	6.0 - 18.0	17	27	18	0.50	2.5	2.0:1	130	SK3
S060180L2603	6.0 - 18.0	17	27	26	0.75	2.5	2.0:1	170	SK4
S060180L3403	6.0 - 18.0	17	27	34	1.00	2.5	2.0:1	210	SK5
S060180L4203	6.0 - 18.0	17	27	42	1.25	2.5	2.0:1	250	SK6
S060180L5003	6.0 - 18.0	17	27	50	1.50	2.5	2.0:1	290	SK7
S060180L0901	6.0 - 18.0	20	30	9	0.50	4.0	2.0:1	120	SK2
S060180L1804	6.0 - 18.0	20	30	18	0.50	2.8	2.0:1	160	SK3
S060180L2604	6.0 - 18.0	20	30	26	0.75	2.5	2.0:1	200	SK4
S060180L3404	6.0 - 18.0	20	30	34	1.00	2.5	2.0:1	240	SK5
S060180L4204	6.0 - 18.0	20	30	42	1.25	2.5	2.0:1	280	SK6
S060180L5004	6.0 - 18.0	20	30	50	1.50	2.5	2.0:1	320	SK7
S060180M1501	6.0 - 18.0	24	34	15	0.50	4.0	2.0:1	230	SK3
S060180M2401	6.0 - 18.0	24	34	24	0.75	3.0	2.0:1	280	SK4
S060180M3201	6.0 - 18.0	24	34	32	1.00	2.8	2.0:1	330	SK5
S060180M4001	6.0 - 18.0	24	34	40	1.25	2.8	2.0:1	380	SK6
S060180M4801	6.0 - 18.0	24	34	48	1.50	2.5	2.0:1	430	SK7
S060180M1201	6.0 - 18.0	27	37	12	0.50	5.0	2.0:1	450	SK3
S060180M2001	6.0 - 18.0	27	37	20	0.75	4.0	2.0:1	530	SK4
S060180M2901	6.0 - 18.0	27	37	29	1.00	3.0	2.0:1	570	SK5
S060180M3801	6.0 - 18.0	27	37	38	1.25	2.8	2.0:1	620	SK6
S060180M4601	6.0 - 18.0	27	37	46	1.50	2.5	2.0:1	650	SK7
S060180P0901	6.0 - 18.0	30	40	9	0.75	7.0	2.0:1	800	SK4
S060180P1601	6.0 - 18.0	30	40	16	1.00	6.0	2.0:1	950	SK5
S060180P2501	6.0 - 18.0	30	40	25	1.25	5.5	2.0:1	1120	SK6
S060180P3401	6.0 - 18.0	30	40	34	1.50	2.8	2.0:1	1200	SK7

## 8.0 - 18.0 GHz

Model Number	Frequency Range (GHz)	Output Power P-1dB min. (dBm)	IP3 typical (dBm)	Gain min. (dB)	Gain Flatness max. ( $\pm$ dB)	Noise Figure max. (dB)	VSWR In/Out max.	Current Draw 12 - 15 VDC typical (mA)	Outline
S080180L1001	8.0 - 18.0	10	20	10	0.50	2.2	1.8:1	50	SK2
S080180L1801	8.0 - 18.0	10	20	18	0.50	2.3	1.8:1	90	SK3
S080180L2601	8.0 - 18.0	10	20	26	0.75	2.3	1.8:1	130	SK4
S080180L3401	8.0 - 18.0	10	20	34	1.00	2.3	1.8:1	170	SK5
S080180L4201	8.0 - 18.0	10	20	42	1.25	2.3	1.8:1	210	SK6
S080180L5001	8.0 - 18.0	10	20	50	1.50	2.3	1.8:1	250	SK7
S080180L1002	8.0 - 18.0	14	24	10	0.50	2.3	1.8:1	70	SK2
S080180L1802	8.0 - 18.0	14	24	18	0.50	2.3	1.8:1	110	SK3
S080180L2602	8.0 - 18.0	14	24	26	0.75	2.3	1.8:1	150	SK4
S080180L3402	8.0 - 18.0	14	24	34	1.00	2.3	1.8:1	190	SK5
S080180L4202	8.0 - 18.0	14	24	42	1.25	2.3	1.8:1	230	SK6
S080180L5002	8.0 - 18.0	14	24	50	1.50	2.3	1.8:1	270	SK7
S080180L1003	8.0 - 18.0	17	27	10	0.50	3.0	1.8:1	90	SK2
S080180L1803	8.0 - 18.0	17	27	18	0.50	2.3	1.8:1	130	SK3
S080180L2603	8.0 - 18.0	17	27	26	0.75	2.3	1.8:1	170	SK4
S080180L3403	8.0 - 18.0	17	27	34	1.00	2.3	1.8:1	210	SK5
S080180L4203	8.0 - 18.0	17	27	42	1.25	2.3	1.8:1	250	SK6
S080180L5003	8.0 - 18.0	17	27	50	1.50	2.3	1.8:1	290	SK7
S080180L0901	8.0 - 18.0	20	30	9	0.50	4.0	1.8:1	120	SK2
S080180L1804	8.0 - 18.0	20	30	18	0.50	2.8	1.8:1	160	SK3
S080180L2604	8.0 - 18.0	20	30	26	0.75	2.5	1.8:1	200	SK4
S080180L3404	8.0 - 18.0	20	30	34	1.00	2.5	1.8:1	240	SK5
S080180L4204	8.0 - 18.0	20	30	42	1.25	2.5	1.8:1	280	SK6
S080180L5004	8.0 - 18.0	20	30	50	1.50	2.5	1.8:1	320	SK7
S080180M1501	8.0 - 18.0	24	34	15	0.50	4.0	1.8:1	230	SK3
S080180M2401	8.0 - 18.0	24	34	24	0.75	3.0	1.8:1	280	SK4
S080180M3201	8.0 - 18.0	24	34	32	1.00	2.8	1.8:1	330	SK5
S080180M4001	8.0 - 18.0	24	34	40	1.25	2.8	1.8:1	380	SK6
S080180M4801	8.0 - 18.0	24	34	48	1.50	2.5	1.8:1	430	SK7
S080180M1201	8.0 - 18.0	27	37	12	0.50	5.0	1.8:1	450	SK3
S080180M2001	8.0 - 18.0	27	37	20	0.75	4.0	1.8:1	530	SK4
S080180M2901	8.0 - 18.0	27	37	29	1.00	3.0	1.8:1	570	SK5
S080180M3801	8.0 - 18.0	27	37	38	1.25	2.8	1.8:1	620	SK6
S080180M4601	8.0 - 18.0	27	37	46	1.50	2.5	1.8:1	650	SK7
S080180P0901	8.0 - 18.0	30	40	9	0.75	7.0	1.8:1	800	SK4
S080180P1601	8.0 - 18.0	30	40	16	1.00	6.0	1.8:1	950	SK5
S080180P2501	8.0 - 18.0	30	40	25	1.25	5.5	1.8:1	1120	SK6
S080180P3401	8.0 - 18.0	30	40	34	1.50	2.8	1.8:1	1200	SK7

## 12.0 - 18.0 GHz

Model Number	Frequency Range (GHz)	Output Power P-1dB min. (dBm)	IP3 typical (dBm)	Gain min. (dB)	Gain Flatness max. ( $\pm$ dB)	Noise Figure max. (dB)	VSWR In/Out max.	Current Draw 12 - 15 VDC typical (mA)	Outline
S120180L1001	12.0 - 18.0	10	20	10	0.50	2.0	1.8:1	50	SK2
S120180L1801	12.0 - 18.0	10	20	18	0.50	2.0	1.8:1	90	SK3
S120180L2601	12.0 - 18.0	10	20	26	0.75	2.0	1.8:1	130	SK4
S120180L3401	12.0 - 18.0	10	20	34	1.00	2.0	1.8:1	170	SK5
S120180L4201	12.0 - 18.0	10	20	42	1.25	2.0	1.8:1	210	SK6
S120180L5001	12.0 - 18.0	10	20	50	1.50	2.0	1.8:1	250	SK7
S120180L1002	12.0 - 18.0	14	24	10	0.50	2.2	1.8:1	70	SK2
S120180L1802	12.0 - 18.0	14	24	18	0.50	2.0	1.8:1	110	SK3
S120180L2602	12.0 - 18.0	14	24	26	0.75	2.0	1.8:1	150	SK4
S120180L3402	12.0 - 18.0	14	24	34	1.00	2.0	1.8:1	190	SK5
S120180L4202	12.0 - 18.0	14	24	42	1.25	2.0	1.8:1	230	SK6
S120180L5002	12.0 - 18.0	14	24	50	1.50	2.0	1.8:1	270	SK7
S120180L1003	12.0 - 18.0	17	27	10	0.50	2.8	1.8:1	90	SK2
S120180L1803	12.0 - 18.0	17	27	18	0.50	2.0	1.8:1	130	SK3
S120180L2603	12.0 - 18.0	17	27	26	0.75	2.0	1.8:1	170	SK4
S120180L3403	12.0 - 18.0	17	27	34	1.00	2.0	1.8:1	210	SK5
S120180L4203	12.0 - 18.0	17	27	42	1.25	2.0	1.8:1	250	SK6
S120180L5003	12.0 - 18.0	17	27	50	1.50	2.0	1.8:1	290	SK7
S120180L0901	12.0 - 18.0	20	30	9	0.50	4.0	1.8:1	120	SK2
S120180L1804	12.0 - 18.0	20	30	18	0.50	2.8	1.8:1	160	SK3
S120180L2604	12.0 - 18.0	20	30	26	0.75	2.3	1.8:1	200	SK4
S120180L3404	12.0 - 18.0	20	30	34	1.00	2.3	1.8:1	240	SK5
S120180L4204	12.0 - 18.0	20	30	42	1.25	2.3	1.8:1	280	SK6
S120180L5004	12.0 - 18.0	20	30	50	1.50	2.3	1.8:1	320	SK7
S120180M1501	12.0 - 18.0	24	34	15	0.50	4.0	1.8:1	230	SK3
S120180M2401	12.0 - 18.0	24	34	24	0.75	3.0	1.8:1	280	SK4
S120180M3201	12.0 - 18.0	24	34	32	1.00	2.5	1.8:1	330	SK5
S120180M4001	12.0 - 18.0	24	34	40	1.25	2.5	1.8:1	380	SK6
S120180M4801	12.0 - 18.0	24	34	48	1.50	2.3	1.8:1	430	SK7
S120180M1201	12.0 - 18.0	27	37	12	0.50	5.0	1.8:1	450	SK3
S120180M2001	12.0 - 18.0	27	37	20	0.75	4.0	1.8:1	530	SK4
S120180M2901	12.0 - 18.0	27	37	29	1.00	3.0	1.8:1	570	SK5
S120180M3801	12.0 - 18.0	27	37	38	1.25	2.5	1.8:1	620	SK6
S120180M4601	12.0 - 18.0	27	37	46	1.50	2.3	1.8:1	650	SK7
S120180P0901	12.0 - 18.0	30	40	9	0.75	7.0	1.8:1	800	SK4
S120180P1601	12.0 - 18.0	30	40	16	1.00	6.0	1.8:1	950	SK5
S120180P2501	12.0 - 18.0	30	40	25	1.25	5.5	1.8:1	1120	SK6
S120180P3401	12.0 - 18.0	30	40	34	1.50	2.5	1.8:1	1200	SK7



## 18.0 - 26.5 GHz

Model Number	Frequency Range (GHz)	Output Power P-1dB min. (dBm)	IP3 typical (dBm)	Gain min. (dB)	Gain Flatness max. ( $\pm$ dB)	Noise Figure max. (dB)	VSWR In/Out max.	Current Draw 12 - 15 VDC typical (mA)	Outline
S180265L1601	18.0 - 26.5	8	18	16	1.00	3.3	2.0:1	100	XK3
S180265L2401	18.0 - 26.5	8	18	24	1.25	3.3	2.0:1	150	XK4
S180265L3201	18.0 - 26.5	8	18	32	1.50	3.3	2.0:1	200	XK5
S180265L1602	18.0 - 26.5	10	20	16	1.00	3.5	2.0:1	110	XK3
S180265L2402	18.0 - 26.5	10	20	24	1.25	3.5	2.0:1	160	XK4
S180265L3202	18.0 - 26.5	10	20	32	1.50	3.5	2.0:1	210	XK5
S180265L1501	18.0 - 26.5	13	23	15	1.00	3.5	2.0:1	120	XK3
S180265L2301	18.0 - 26.5	13	23	23	1.25	3.5	2.0:1	170	XK4
S180265L3101	18.0 - 26.5	13	23	31	1.50	3.5	2.0:1	220	XK5
S180265L1502	18.0 - 26.5	17	27	15	1.00	4.0	2.0:1	140	XK3
S180265L2302	18.0 - 26.5	17	27	23	1.25	3.5	2.0:1	190	XK4
S180265L3102	18.0 - 26.5	17	27	31	1.50	3.5	2.0:1	240	XK5
S180265L1401	18.0 - 26.5	20	30	14	1.00	4.0	2.0:1	160	XK3
S180265L2201	18.0 - 26.5	20	30	22	1.25	3.5	2.0:1	210	XK4
S180265L3001	18.0 - 26.5	20	30	30	1.50	3.5	2.0:1	260	XK5
S180265M1401	18.0 - 26.5	23	33	14	1.00	4.0	2.0:1	210	XK3
S180265M2201	18.0 - 26.5	23	33	22	1.25	4.0	2.0:1	260	XK4
S180265M3001	18.0 - 26.5	23	33	30	1.50	4.0	2.0:1	310	XK5

Operating Temperature 0 to 70°C

Specified Performance guaranteed @ 25 °C

Military and Space Specifications and Screening Available

## 15.0 - 30 GHz

Model Number	Frequency Range (GHz)	Output Power P-1dB min. (dBm)	IP3 typical (dBm)	Gain min. (dB)	Gain Flatness max. ( $\pm$ dB)	Noise Figure max. (dB)	VSWR In/Out max.	Current Draw 12 - 15 VDC typical (mA)	Outline
S150300L1601	15.0 - 30.0	8	18	16	1.00	4.0	2.0:1	100	XK3
S150300L2401	15.0 - 30.0	8	18	24	1.25	4.0	2.0:1	150	XK4
S150300L3201	15.0 - 30.0	8	18	32	1.50	4.0	2.0:1	200	XK5
S150300L1602	15.0 - 30.0	10	20	16	1.00	4.3	2.0:1	110	XK3
S150300L2402	15.0 - 30.0	10	20	24	1.25	4.3	2.0:1	160	XK4
S150300L3202	15.0 - 30.0	10	20	32	1.50	4.3	2.0:1	210	XK5
S150300L1501	15.0 - 30.0	13	23	15	1.00	4.5	2.0:1	120	XK3
S150300L2301	15.0 - 30.0	13	23	23	1.25	4.3	2.0:1	170	XK4
S150300L3101	15.0 - 30.0	13	23	31	1.50	4.3	2.0:1	220	XK5
S150300L1502	15.0 - 30.0	17	27	15	1.00	4.5	2.0:1	140	XK3
S150300L2302	15.0 - 30.0	17	27	23	1.25	4.3	2.0:1	190	XK4
S150300L3102	15.0 - 30.0	17	27	31	1.50	4.3	2.0:1	240	XK5
S150300L1401	15.0 - 30.0	20	30	14	1.00	4.5	2.0:1	160	XK3
S150300L2201	15.0 - 30.0	20	30	22	1.25	4.3	2.0:1	210	XK4
S150300L3001	15.0 - 30.0	20	30	30	1.50	4.3	2.0:1	260	XK5
S150300M1401	15.0 - 30.0	23	33	14	1.00	5.0	2.0:1	210	XK3
S150300M2201	15.0 - 30.0	23	33	22	1.25	4.5	2.0:1	260	XK4
S150300M3001	15.0 - 30.0	23	33	30	1.50	4.5	2.0:1	310	XK5

Operating Temperature 0 to 70°C

Specified Performance guaranteed @ 25 °C

Military and Space Specifications and Screening Available

## 1.2 - 1.6 GHz

Model Number	Frequency Range (GHz)	Output Power P-1dB min. (dBm)	IP3 typical (dBm)	Gain min. (dB)	Gain Flatness max. ( $\pm$ dB)	Noise Figure max. (dB)	VSWR In/Out max.	Current Draw 12 - 15 VDC typical (mA)	Outline
S012016L1701	1.2 - 1.6	10	20	17	0.25	0.8	1.5:1	70	LK2
S012016L3301	1.2 - 1.6	10	20	33	0.50	0.8	1.5:1	120	LK3
S012016L5001	1.2 - 1.6	10	20	50	0.75	0.8	1.5:1	170	SK4
S012016L1702	1.2 - 1.6	13	23	17	0.25	0.8	1.5:1	75	LK2
S012016L3302	1.2 - 1.6	13	23	33	0.50	0.8	1.5:1	130	LK3
S012016L5002	1.2 - 1.6	13	23	50	0.75	0.8	1.5:1	180	LK4
S012016L1703	1.2 - 1.6	17	27	17	0.25	1.5	1.5:1	110	LK2
S012016L3303	1.2 - 1.6	17	27	33	0.50	0.8	1.5:1	160	LK3
S012016L5003	1.2 - 1.6	17	27	50	0.75	0.8	1.5:1	210	LK4
S012016L1704	1.2 - 1.6	20	30	17	0.25	1.8	1.5:1	120	LK2
S012016L3304	1.2 - 1.6	20	30	33	0.50	0.9	1.5:1	170	LK3
S012016L5004	1.2 - 1.6	20	30	50	0.75	0.8	1.5:1	220	LK4
S012016M1601	1.2 - 1.6	23	33	16	0.25	2.0	1.5:1	130	LK2
S012016M3201	1.2 - 1.6	23	33	32	0.50	1.0	1.5:1	180	LK3
S012016M4901	1.2 - 1.6	23	33	49	0.75	0.8	1.5:1	230	LK4
S012016M1602	1.2 - 1.6	27	37	16	0.25	3.0	1.5:1	350	LK2
S012016M3202	1.2 - 1.6	27	37	32	0.50	1.0	1.5:1	420	LK3
S012016M4902	1.2 - 1.6	27	37	49	0.75	0.8	1.5:1	480	LK4
S012016P1501	1.2 - 1.6	30	40	15	0.25	4.0	1.5:1	550	LK2
S012016P3101	1.2 - 1.6	30	40	31	0.50	2.5	1.5:1	660	LK3
S012016P4801	1.2 - 1.6	30	40	48	0.75	1.0	1.5:1	710	LK4

Operating Temperature 0 to 70°C

Specified Performance guaranteed @ 25 °C

Military and Space Specifications and Screening Available

## 2.7 - 2.9 GHz

Model Number	Frequency Range (GHz)	Output Power P-1dB min. (dBm)	IP3 typical (dBm)	Gain min. (dB)	Gain Flatness max. (±dB)	Noise Figure max. (dB)	VSWR In/Out max.	Current Draw 12 - 15 VDC typical (mA)	Outline
S027029L1501	2.7 - 2.9	10	20	15	0.25	0.9	1.5:1	70	LK2
S027029L3001	2.7 - 2.9	10	20	30	0.50	0.9	1.5:1	120	LK3
S027029L4501	2.7 - 2.9	10	20	45	0.75	0.9	1.5:1	170	LK4
S027029L1502	2.7 - 2.9	13	23	15	0.25	0.9	1.5:1	75	LK2
S027029L3002	2.7 - 2.9	13	23	30	0.50	0.9	1.5:1	130	LK3
S027029L4502	2.7 - 2.9	13	23	45	0.75	0.9	1.5:1	180	LK4
S027029L1503	2.7 - 2.9	17	27	15	0.25	1.5	1.5:1	110	LK2
S027029L3003	2.7 - 2.9	17	27	30	0.50	0.9	1.5:1	160	LK3
S027029L4503	2.7 - 2.9	17	27	45	0.75	0.9	1.5:1	210	LK4
S027029L1504	2.7 - 2.9	20	30	15	0.25	1.8	1.5:1	120	LK2
S027029L3204	2.7 - 2.9	20	30	30	0.50	0.9	1.5:1	170	LK3
S027029L5904	2.7 - 2.9	20	30	45	0.75	0.9	1.5:1	220	LK4
S027029M1501	2.7 - 2.9	23	33	15	0.25	2.5	1.5:1	140	LK2
S027029M3001	2.7 - 2.9	23	33	30	0.50	1.2	1.5:1	190	LK3
S027029M4501	2.7 - 2.9	23	33	45	0.75	0.9	1.5:1	240	LK4
S027029M1502	2.7 - 2.9	27	37	15	0.25	2.5	1.5:1	350	LK2
S027029M3002	2.7 - 2.9	27	37	30	0.50	1.5	1.5:1	420	LK3
S027029M4502	2.7 - 2.9	27	37	45	0.75	1.5	1.5:1	480	LK4
S027029P1201	2.7 - 2.9	30	40	12	0.25	2.5	1.5:1	550	LK2
S027029P2701	2.7 - 2.9	30	40	27	0.50	1.2	1.5:1	660	LK3
S027029P4301	2.7 - 2.9	30	40	43	0.75	0.9	1.5:1	710	LK4

Operating Temperature 0 to 70°C

Specified Performance guaranteed @ 25 °C

Military and Space Specifications and Screening Available

## 5.4 - 5.9 GHz

Model Number	Frequency Range (GHz)	Output Power P-1dB min. (dBm)	IP3 typical (dBm)	Gain min. (dB)	Gain Flatness max. (±dB)	Noise Figure max. (dB)	VSWR In/Out max.	Current Draw 12 - 15 VDC typical (mA)	Outline
S054059L1301	5.4 - 5.9	8	18	13	0.25	0.8	1.8:1	50	LK2
S054059L2601	5.4 - 5.9	10	20	26	0.50	0.8	1.8:1	100	LK3
S054059L3801	5.4 - 5.9	10	10	38	0.75	0.8	1.8:1	150	LK4
S054059L1302	5.4 - 5.9	13	23	13	0.25	1.0	1.5:1	75	LK2
S054059L2602	5.4 - 5.9	13	23	26	0.50	0.8	1.5:1	130	LK3
S054059L3802	5.4 - 5.9	13	23	38	0.75	0.8	1.5:1	180	LK4
S054059L1303	5.4 - 5.9	17	27	13	0.25	1.5	1.5:1	110	LK2
S054059L2603	5.4 - 5.9	17	27	26	0.50	1.0	1.5:1	160	LK3
S054059L3803	5.4 - 5.9	17	27	38	0.75	0.8	1.5:1	210	LK4
S054059L1501	5.4 - 5.9	20	30	15	0.25	2.0	1.5:1	120	LK2
S054059L3001	5.4 - 5.9	20	30	30	0.50	1.6	1.5:1	170	LK3
S054059L4501	5.4 - 5.9	20	30	45	0.75	1.6	1.5:1	220	LK4
S054059M1401	5.4 - 5.9	23	33	14	0.25	2.5	1.5:1	140	LK2
S054059M2701	5.4 - 5.9	23	33	27	0.50	1.6	1.5:1	190	LK3
S054059M4301	5.4 - 5.9	23	33	43	0.75	1.6	1.5:1	240	LK4
S054059M1401	5.4 - 5.9	27	37	14	0.25	3.0	1.5:1	450	SK2
S054059M2701	5.4 - 5.9	27	37	27	0.50	2.0	1.5:1	530	SK3
S054059M4301	5.4 - 5.9	27	37	43	0.75	1.6	1.5:1	580	SK4
S054059P1101	5.4 - 5.9	30	40	11	0.25	4.0	1.5:1	550	SK2
S054059P2501	5.4 - 5.9	30	40	25	0.50	2.5	1.5:1	660	SK3
S054059P4001	5.4 - 5.9	30	40	40	0.75	1.6	1.5:1	710	SK4

Operating Temperature 0 to 70°C  
 Specified Performance guaranteed @ 25 °C  
 Military and Space Specifications and Screening Available

## 9.5 - 10.5 GHz

Model Number	Frequency Range (GHz)	Output Power P-1dB min. (dBm)	IP3 typical (dBm)	Gain min. (dB)	Gain Flatness max. ( $\pm$ dB)	Noise Figure max. (dB)	VSWR In/Out max.	Current Draw 12 - 15 VDC typical (mA)	Outline
S095105L1601	9.5 - 10.5	10	10	16	0.50	1.0	1.8:1	80	SK3
S095105L2401	9.5 - 10.5	10	20	24	0.75	1.0	1.8:1	120	SK4
S095105L3201	9.5 - 10.5	10	10	32	1.00	1.0	1.8:1	160	SK5
S095105L1801	9.5 - 10.5	13	23	18	0.50	1.5	1.8:1	90	SK3
S095105L2601	9.5 - 10.5	13	23	26	0.75	1.0	1.8:1	130	SK4
S095105L3801	9.5 - 10.5	13	23	38	1.00	1.0	1.8:1	170	SK5
S095105L1802	9.5 - 10.5	17	27	18	0.50	1.5	1.5:1	130	SK3
S095105L3002	9.5 - 10.5	17	27	30	0.75	1.2	1.5:1	180	SK4
S095105L4202	9.5 - 10.5	17	27	42	1.00	1.2	1.5:1	230	SK5
S095105L1201	9.5 - 10.5	20	30	12	0.25	3.0	1.5:1	90	SK2
S095105L2401	9.5 - 10.5	20	30	24	0.50	2.3	1.5:1	140	SK3
S095105L3201	9.5 - 10.5	20	30	32	0.75	1.5	1.5:1	220	SK4
S095105L4001	9.5 - 10.5	20	30	40	1.00	1.0	1.5:1	270	SK5
S095105M1201	9.5 - 10.5	23	33	12	0.25	4.0	1.5:1	150	SK2
S095105M2401	9.5 - 10.5	23	33	24	0.50	2.2	1.5:1	170	SK3
S095105M3201	9.5 - 10.5	23	33	32	0.75	1.5	1.5:1	220	SK4
S095105M4401	9.5 - 10.5	23	33	44	1.00	1.5	1.5:1	270	SK5
S095105M1001	9.5 - 10.5	27	37	10	0.25	5.0	1.5:1	350	SK2
S095105M2201	9.5 - 10.5	27	37	22	0.50	3.5	1.5:1	430	SK3
S095105M3001	9.5 - 10.5	27	37	30	0.75	2.0	1.5:1	470	SK4
S095105M3801	9.5 - 10.5	27	37	38	1.00	1.5	1.5:1	520	SK5
S095105P1801	9.5 - 10.5	30	40	18	0.50	4.5	1.5:1	700	SK3
S095105P3001	9.5 - 10.5	30	40	30	0.75	2.5	1.5:1	780	SK4
S095105P4201	9.5 - 10.5	30	40	42	1.00	1.5	1.5:1	830	SK6

Operating Temperature 0 to 70°C  
 Specified Performance guaranteed @ 25 °C  
 Military and Space Specifications and Screening Available

## 14.0 - 14.5 GHz

Model Number	Frequency Range (GHz)	Output Power P-1dB min. (dBm)	IP3 typical (dBm)	Gain min. (dB)	Gain Flatness max. ( $\pm$ dB)	Noise Figure max. (dB)	VSWR In/Out max.	Current Draw 12 - 15 VDC typical (mA)	Outline
S140145L0901	14.0 - 14.5	10	20	9	0.50	1.4	1.5:1	50	SK2
S140145L1801	14.0 - 14.5	10	20	18	0.75	1.5	1.5:1	100	SK3
S140145L2701	14.0 - 14.5	10	20	27	1.00	1.5	1.5:1	150	SK4
S140145L3601	14.0 - 14.5	10	20	36	1.25	1.5	1.5:1	200	SK5
S140145L0902	14.0 - 14.5	13	23	9	0.50	1.8	1.5:1	70	SK2
S140145L1802	14.0 - 14.5	13	23	18	0.75	1.5	1.5:1	120	SK3
S140145L2702	14.0 - 14.5	13	23	27	1.00	1.5	1.5:1	170	SK4
S140145L3602	14.0 - 14.5	13	23	36	1.25	1.5	1.5:1	220	SK5
S140145L0903	14.0 - 14.5	17	27	9	0.25	2.5	1.5:1	90	SK2
S140145L1803	14.0 - 14.5	17	27	18	0.50	2.0	1.5:1	140	SK3
S140145L2703	14.0 - 14.5	17	27	27	0.75	1.8	1.5:1	190	SK4
S140145L3603	14.0 - 14.5	17	27	36	1.00	1.5	1.5:1	240	SK5
S140145L0904	14.0 - 14.5	20	30	9	0.25	3.5	1.5:1	110	SK2
S140145L1804	14.0 - 14.5	20	30	18	0.50	2.5	1.5:1	160	SK3
S140145L2704	14.0 - 14.5	20	30	27	0.75	1.8	1.5:1	210	SK4
S140145L3604	14.0 - 14.5	20	30	36	1.00	1.5	1.5:1	260	SK5
S140145M0801	14.0 - 14.5	23	33	8	0.25	4.0	1.5:1	140	SK2
S140145M1701	14.0 - 14.5	23	33	17	0.50	3.5	1.5:1	190	SK3
S140145M2601	14.0 - 14.5	23	33	26	0.75	2.0	1.5:1	240	SK4
S140145M3501	14.0 - 14.5	23	33	35	1.00	1.8	1.5:1	290	SK5
S140145M1401	14.0 - 14.5	27	37	14	0.50	5.0	1.5:1	500	SK3
S140145M2301	14.0 - 14.5	27	37	23	0.75	3.0	1.5:1	580	SK4
S140145M3201	14.0 - 14.5	27	37	32	1.00	2.0	1.5:1	630	SK5
S140145P1001	14.0 - 14.5	30	40	10	0.50	6.0	1.5:1	800	SK3
S140145P1701	14.0 - 14.5	30	40	17	0.75	5.0	1.5:1	940	SK4
S140145P2601	14.0 - 14.5	30	40	26	1.00	4.0	1.5:1	1030	SK5
S140145P3501	14.0 - 14.5	30	40	35	1.25	3.0	1.5:1	1080	SK6

Operating Temperature 0 to 70°C

Specified Performance guaranteed @ 25 °C

Military and Space Specifications and Screening Available

## 13.7 - 15.4 GHz

Model Number	Frequency Range (GHz)	Output Power P-1dB min. (dBm)	IP3 typical (dBm)	Gain min. (dB)	Gain Flatness max. ( $\pm$ dB)	Noise Figure max. (dB)	VSWR In/Out max.	Current Draw 12 - 15 VDC typical (mA)	Outline
S137154L0901	13.75 - 15.4	10	20	9	0.50	1.5	1.5:1	50	SK2
S137154L1801	13.75 - 15.4	10	20	18	0.75	1.6	1.5:1	100	SK3
S137154L2701	13.75 - 15.4	10	20	27	1.00	1.6	1.5:1	150	SK4
S137154L3601	13.75 - 15.4	10	20	36	1.25	1.6	1.5:1	200	SK5
S137154L0902	13.75 - 15.4	13	23	9	0.50	1.7	1.5:1	70	SK2
S137154L1802	13.75 - 15.4	13	23	18	0.75	1.6	1.5:1	120	SK3
S137154L2702	13.75 - 15.4	13	23	27	1.00	1.6	1.5:1	170	SK4
S137154L3602	13.75 - 15.4	13	23	36	1.25	1.6	1.5:1	220	SK5
S137154L0903	13.75 - 15.4	17	27	9	0.25	2.5	1.5:1	90	SK2
S137154L1803	13.75 - 15.4	17	27	18	0.50	2.0	1.5:1	140	SK3
S137154L2703	13.75 - 15.4	17	27	27	0.75	1.8	1.5:1	190	SK4
S137154L3603	13.75 - 15.4	17	27	36	1.00	1.6	1.5:1	240	SK5
S137154L0904	13.75 - 15.4	20	30	9	0.25	3.5	1.5:1	110	SK2
S137154L1804	13.75 - 15.4	20	30	18	0.50	2.5	1.5:1	160	SK3
S137154L2704	13.75 - 15.4	20	30	27	0.75	1.8	1.5:1	210	SK4
S137154L3604	13.75 - 15.4	20	30	36	1.00	1.6	1.5:1	260	SK5
S137154M0801	13.75 - 15.4	23	33	8	0.25	4.0	1.5:1	140	SK2
S137154M1701	13.75 - 15.4	23	33	17	0.50	3.5	1.5:1	190	SK3
S137154M2601	13.75 - 15.4	23	33	26	0.75	2.0	1.5:1	240	SK4
S137154M3501	13.75 - 15.4	23	33	35	1.00	1.8	1.5:1	290	SK5
S137154M1401	13.75 - 15.4	27	37	14	0.50	5.0	1.5:1	500	SK3
S137154M2301	13.75 - 15.4	27	37	23	0.75	3.0	1.5:1	580	SK4
S137154M3201	13.75 - 15.4	27	37	32	1.00	2.0	1.5:1	630	SK5
S137154P1001	13.75 - 15.4	30	40	10	0.50	6.0	1.5:1	800	SK3
S137154P1701	13.75 - 15.4	30	40	17	0.75	5.0	1.5:1	940	SK4
S137154P2601	13.75 - 15.4	30	40	26	1.00	4.0	1.5:1	1030	SK5
S137154P3501	13.75 - 15.4	30	40	35	1.25	3.0	1.5:1	1080	SK6

Operating Temperature 0 to 70°C

Specified Performance guaranteed @ 25 °C

Military and Space Specifications and Screening Available



## 17.7 - 18.3 GHz

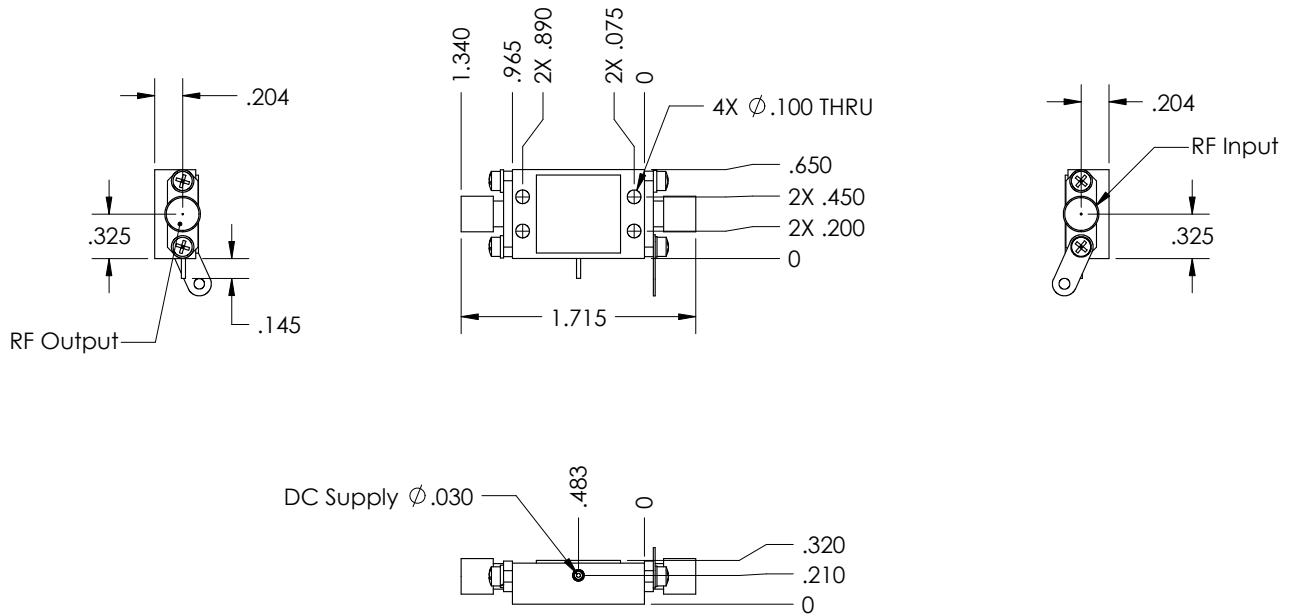
Model Number	Frequency Range (GHz)	Output Power P-1dB min. (dBm)	IP3 typical (dBm)	Gain min. (dB)	Gain Flatness max. (±dB)	Noise Figure max. (dB)	VSWR In/Out max.	Current Draw 12 - 15 VDC typical (mA)	Outline
S177183L0901	17.7 - 18.3	10	20	9	0.50	1.8	1.5:1	50	SK2
S177183L1801	17.7 - 18.3	10	20	18	0.75	1.8	1.5:1	100	SK3
S177183L2701	17.7 - 18.3	10	20	27	1.00	1.8	1.5:1	150	SK4
S177183L3601	17.7 - 18.3	10	20	36	1.25	1.8	1.5:1	200	SK5
S177183L0902	17.7 - 18.3	13	23	9	0.50	2.0	1.5:1	70	SK2
S177183L1802	17.7 - 18.3	13	23	18	0.75	1.8	1.5:1	120	SK3
S177183L2702	17.7 - 18.3	13	23	27	1.00	1.8	1.5:1	170	SK4
S177183L3602	17.7 - 18.3	13	23	36	1.25	1.8	1.5:1	220	SK5
S177183L0903	17.7 - 18.3	17	27	9	0.25	2.5	1.5:1	90	SK2
S177183L1803	17.7 - 18.3	17	27	18	0.50	2.0	1.5:1	140	SK3
S177183L2703	17.7 - 18.3	17	27	27	0.75	1.8	1.5:1	190	SK4
S177183L3603	17.7 - 18.3	17	27	36	1.00	1.8	1.5:1	240	SK5
S177183L0904	17.7 - 18.3	20	30	9	0.25	3.5	1.5:1	110	SK2
S177183L1804	17.7 - 18.3	20	30	18	0.50	2.5	1.5:1	160	SK3
S177183L2704	17.7 - 18.3	20	30	27	0.75	1.8	1.5:1	210	SK4
S177183L3604	17.7 - 18.3	20	30	36	1.00	1.8	1.5:1	260	SK5
S177183M0801	17.7 - 18.3	23	33	8	0.25	4.0	1.5:1	140	SK2
S177183M1701	17.7 - 18.3	23	33	17	0.50	3.5	1.5:1	190	SK3
S177183M2601	17.7 - 18.3	23	33	26	0.75	2.0	1.5:1	240	SK4
S177183M3501	17.7 - 18.3	23	33	35	1.00	2.0	1.5:1	290	SK5
S177183M1401	17.7 - 18.3	27	37	14	0.50	5.0	1.5:1	500	SK3
S177183M2301	17.7 - 18.3	27	37	23	0.75	3.0	1.5:1	580	SK4
S177183M3201	17.7 - 18.3	27	37	32	1.00	2.0	1.5:1	630	SK5
S177183P1001	17.7 - 18.3	30	40	10	0.50	6.0	1.5:1	800	SK3
S177183P1701	17.7 - 18.3	30	40	17	0.75	5.0	1.5:1	940	SK4
S177183P2601	17.7 - 18.3	30	40	26	1.00	4.0	1.5:1	1030	SK5
S177183P3501	17.7 - 18.3	30	40	35	1.25	3.0	1.5:1	1080	SK6

Operating Temperature 0 to 70°C

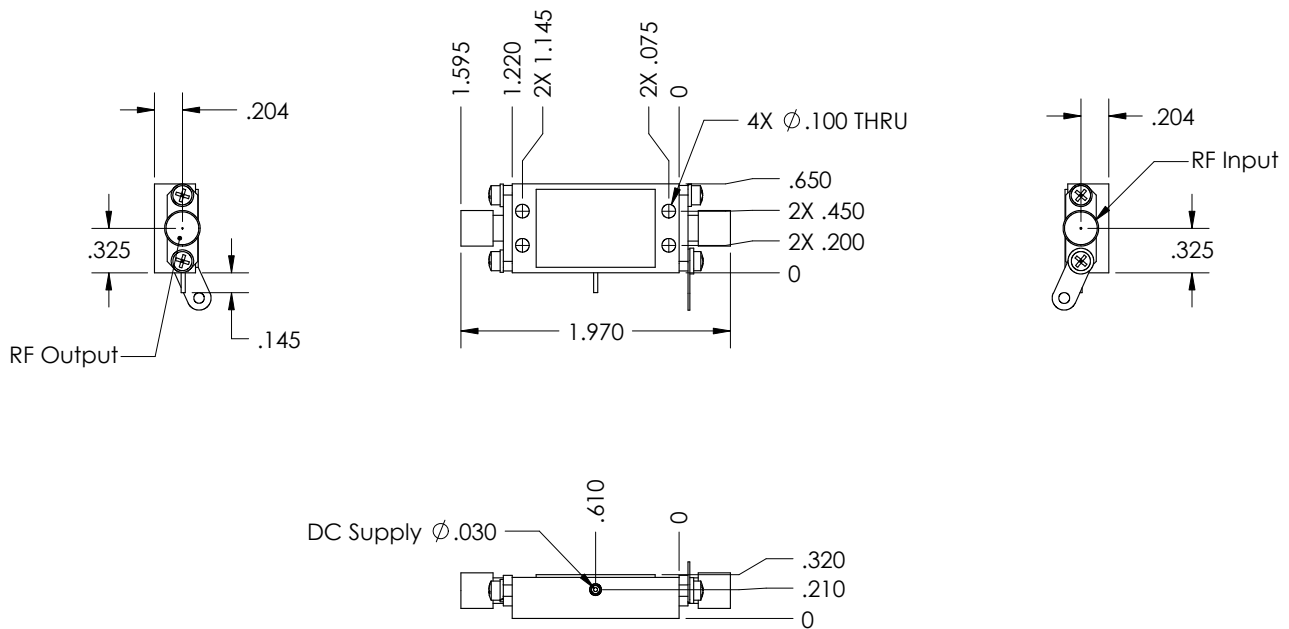
Specified Performance guaranteed @ 25 °C

Military and Space Specifications and Screening Available

## SK-2



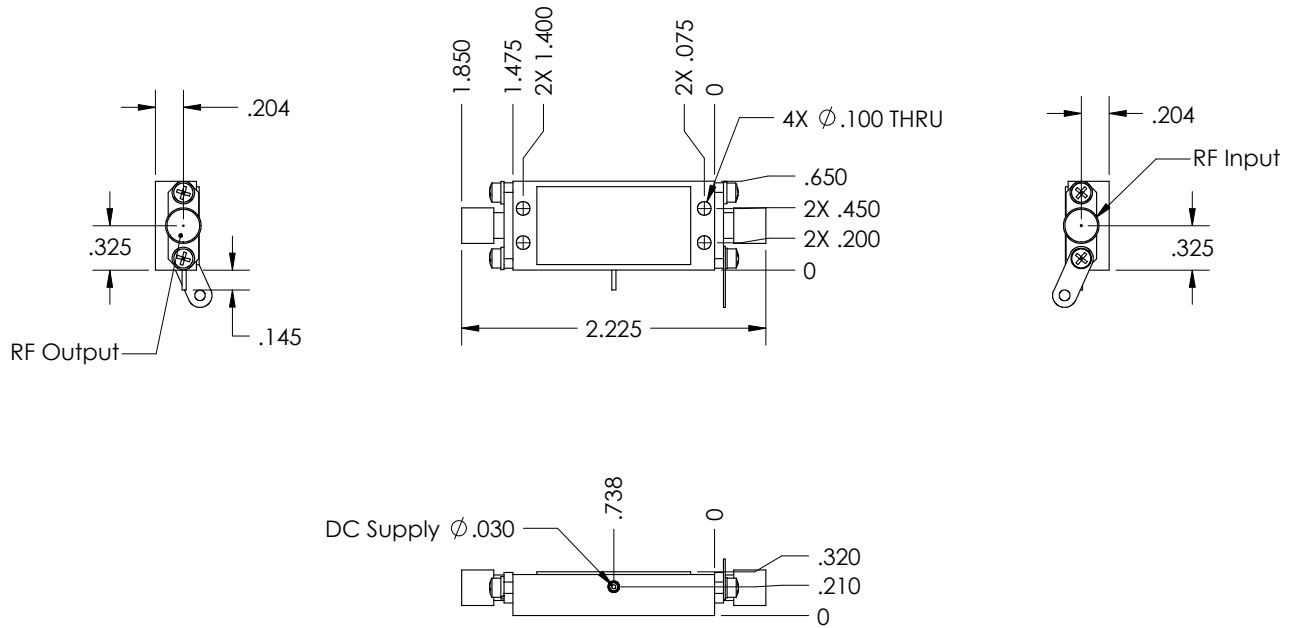
## SK-3



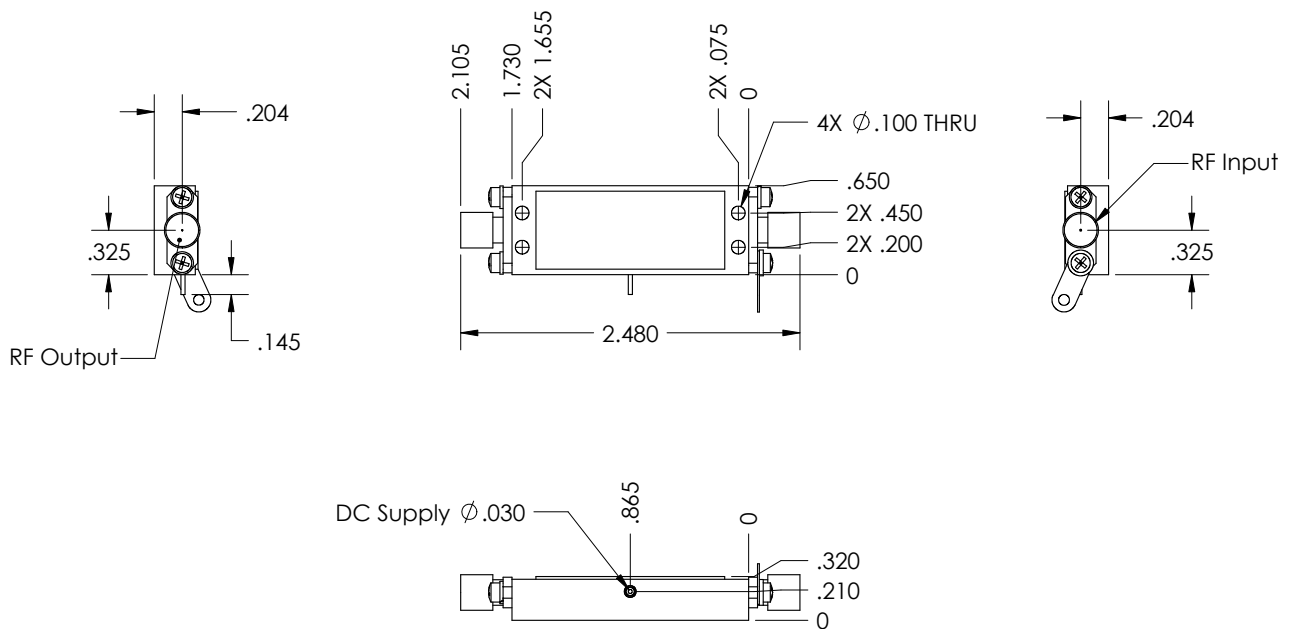
**Notes:**

- 1) Drawings not to scale
- 2) Ground, Supply Voltage are solderable terminals
- 3) RF connectors are field replaceable SMA female
- 4) Dimensions are subject to change in the interest of improved product performance

# SK-4



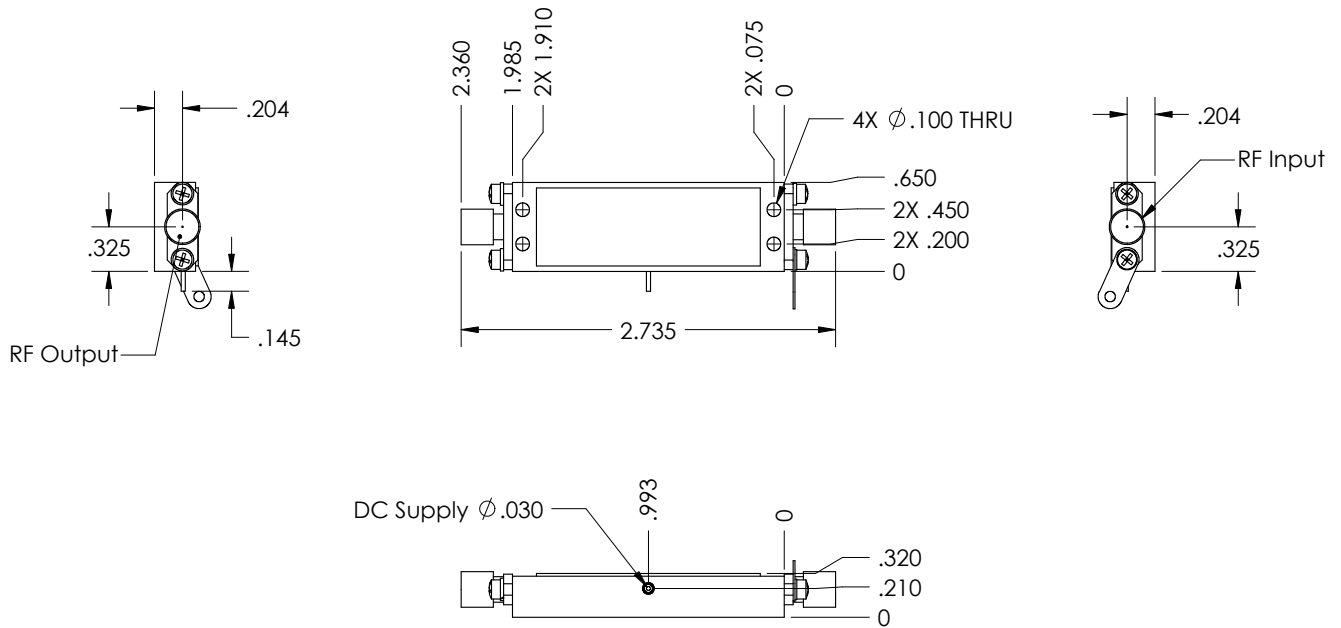
# SK-5



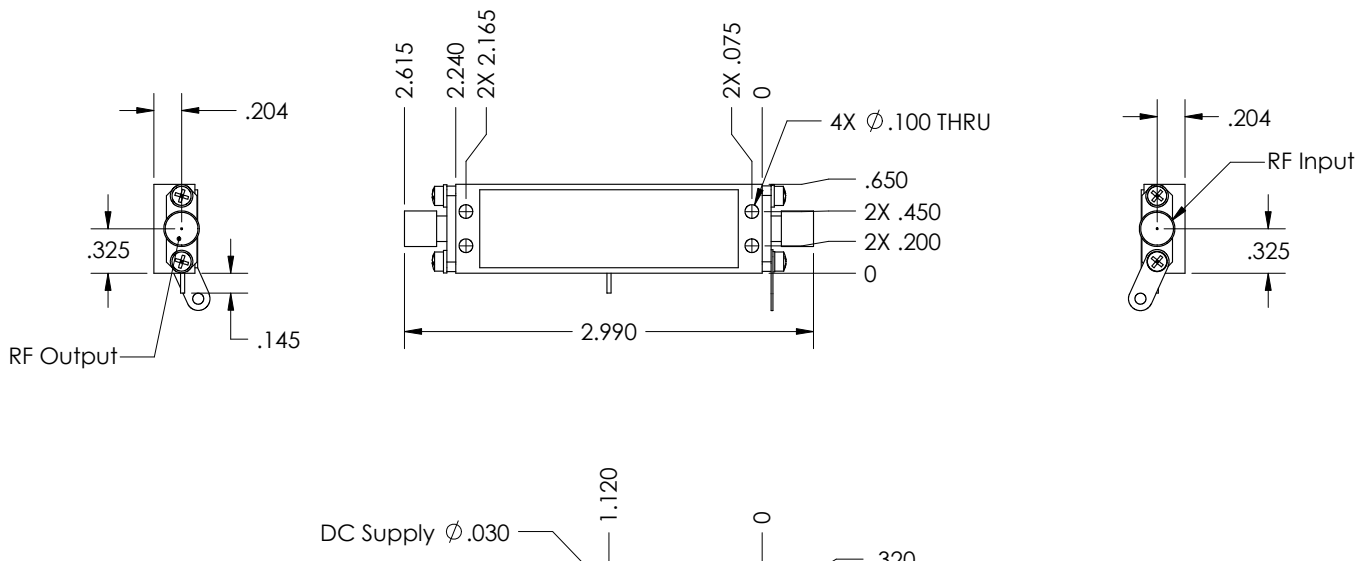
**Notes:**

- 1) Drawings not to scale
- 2) Ground, Supply Voltage are solderable terminals
- 3) RF connectors are field replaceable SMA female
- 4) Dimensions are subject to change in the interest of improved product performance

### SK-6



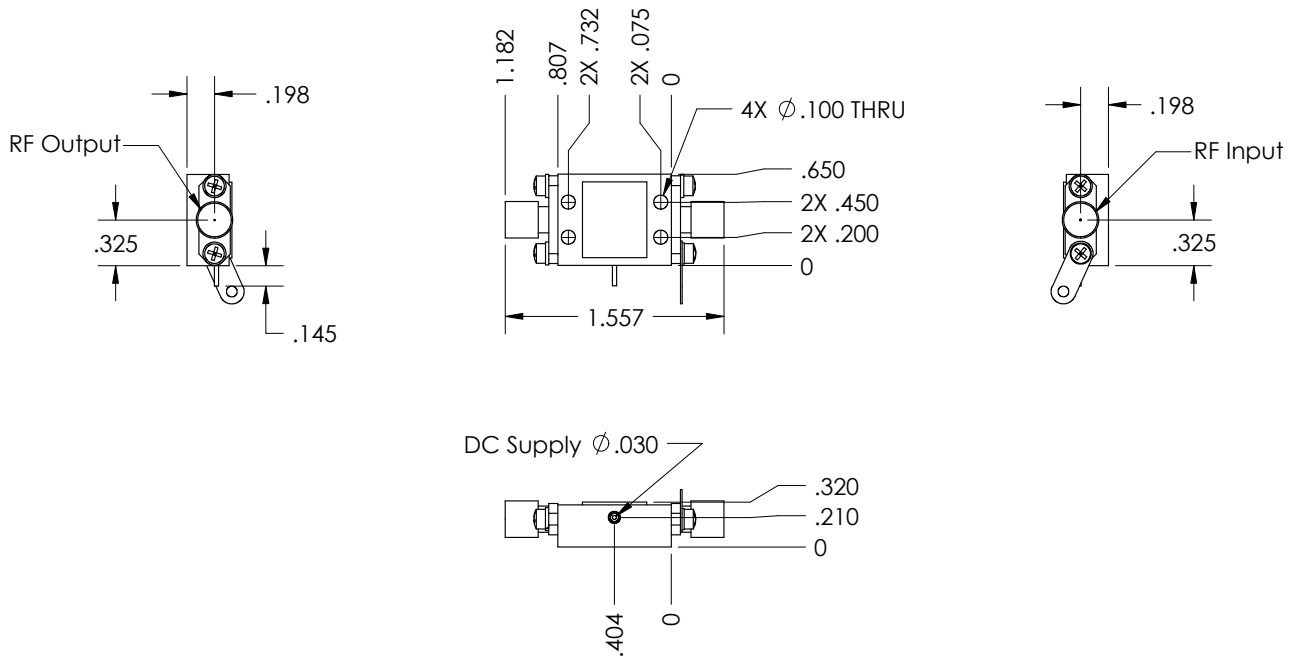
### SK-7



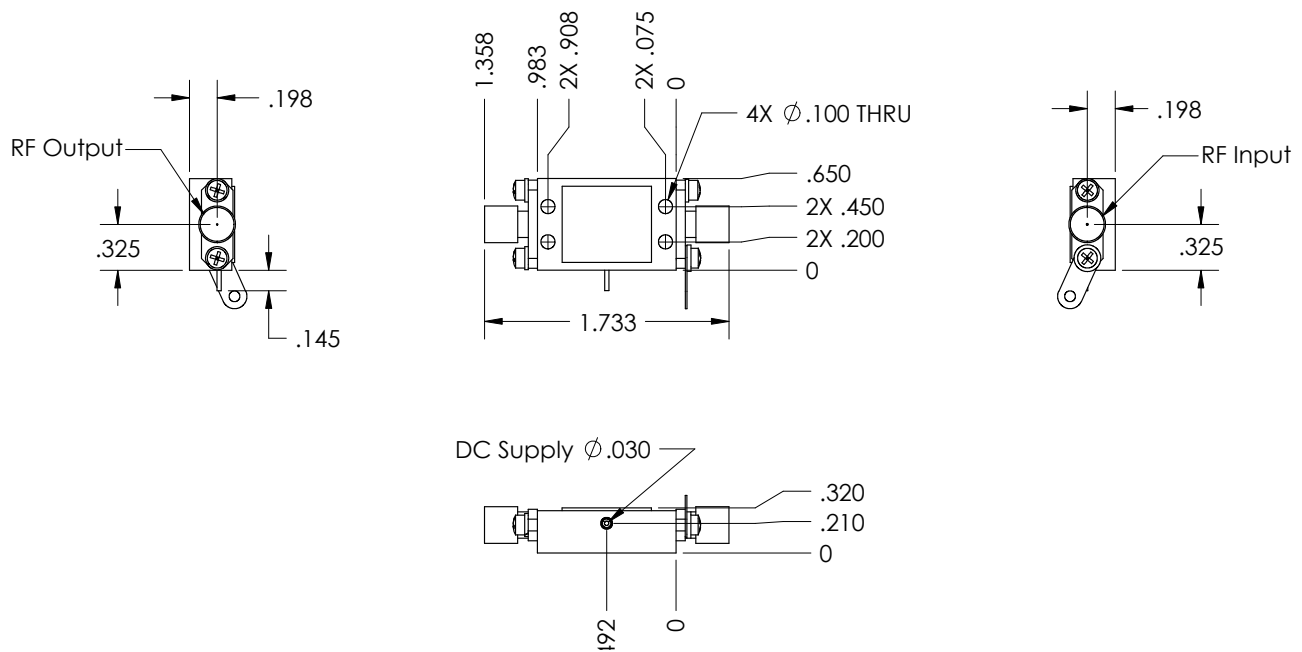
**Notes:**

- 1) Drawings not to scale
- 2) Ground, Supply Voltage are solderable terminals
- 3) RF connectors are field replaceable SMA female
- 4) Dimensions are subject to change in the interest of improved product performance

### LK-2



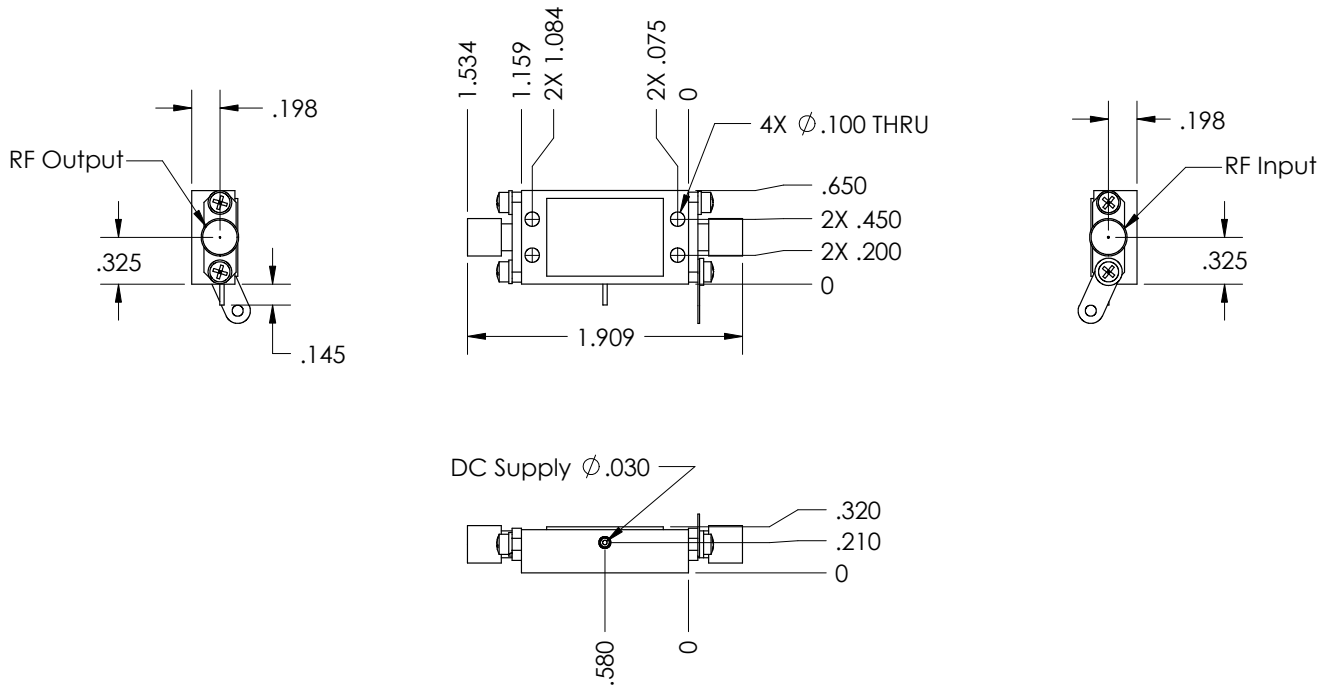
### LK-3



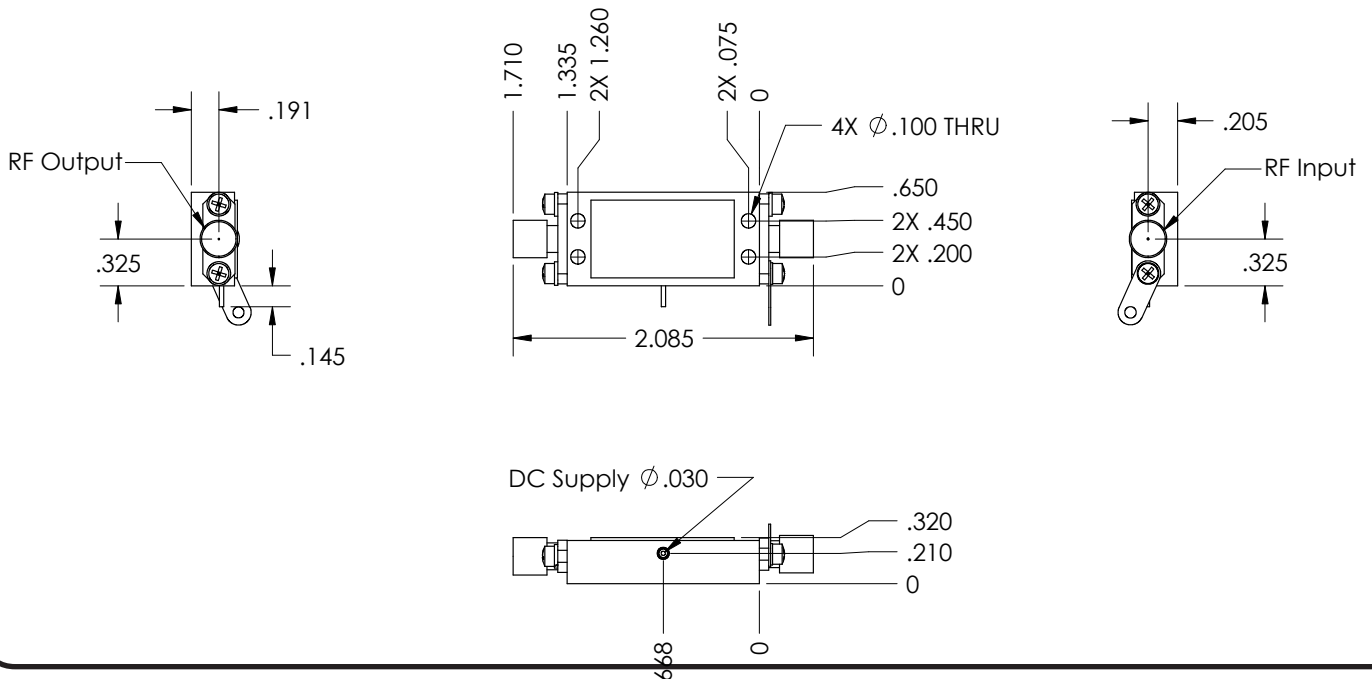
Notes:

- 1) Drawings not to scale
- 2) Ground, Supply Voltage are solderable terminals
- 3) RF connectors are field replaceable SMA female
- 4) Dimensions are subject to change in the interest of improved product performance

**LK-4**



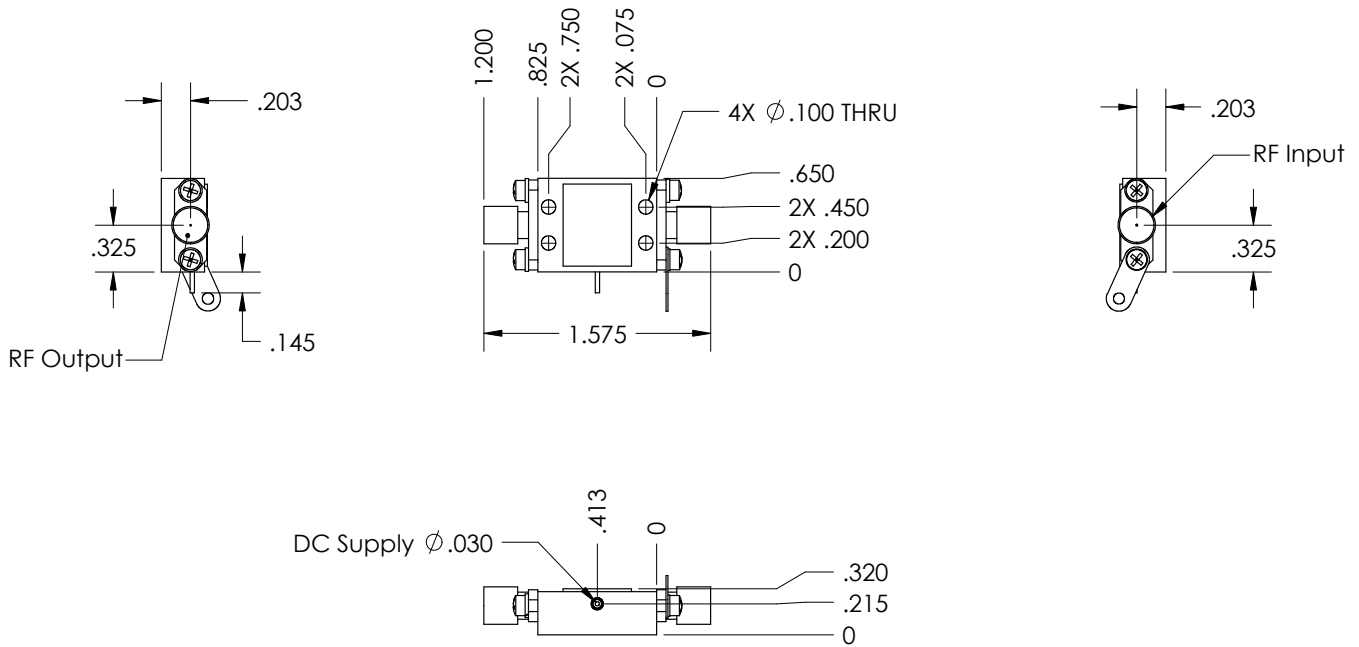
**LK-5**



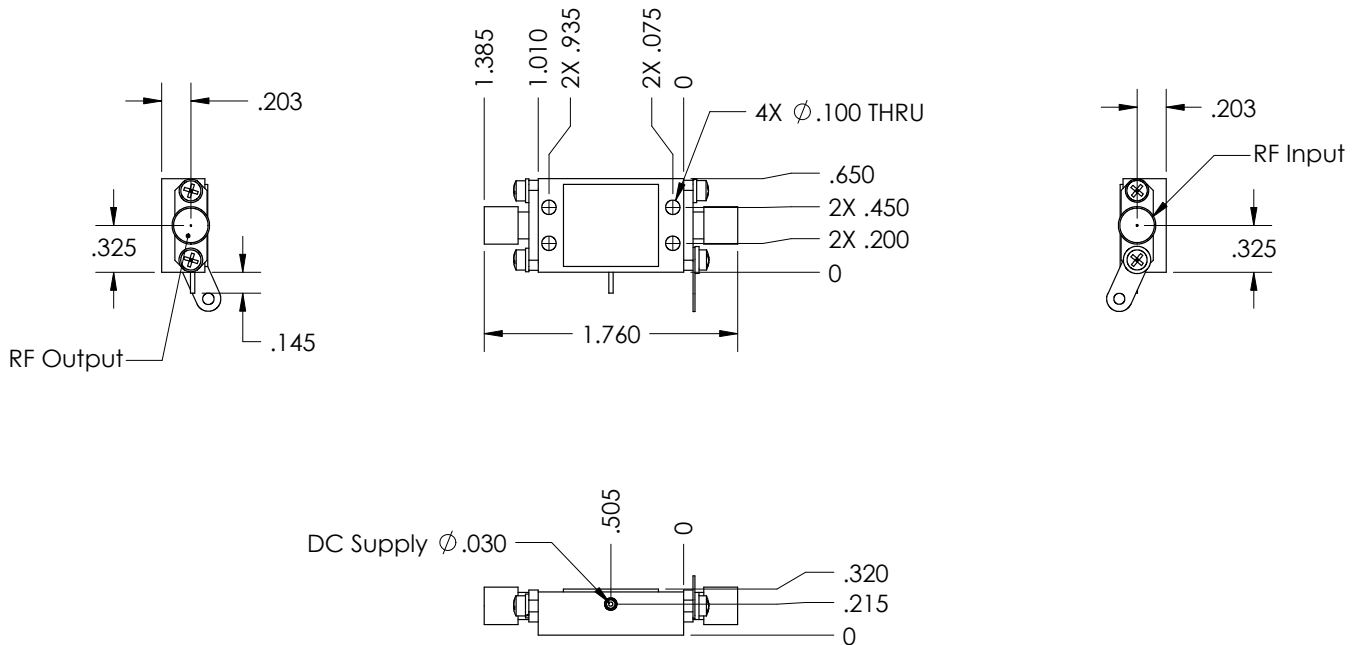
Notes:

- 1) Drawings not to scale
- 2) Ground, Supply Voltage are solderable terminals
- 3) RF connectors are field replaceable SMA female
- 4) Dimensions are subject to change in the interest of improved product performance

# XK-2



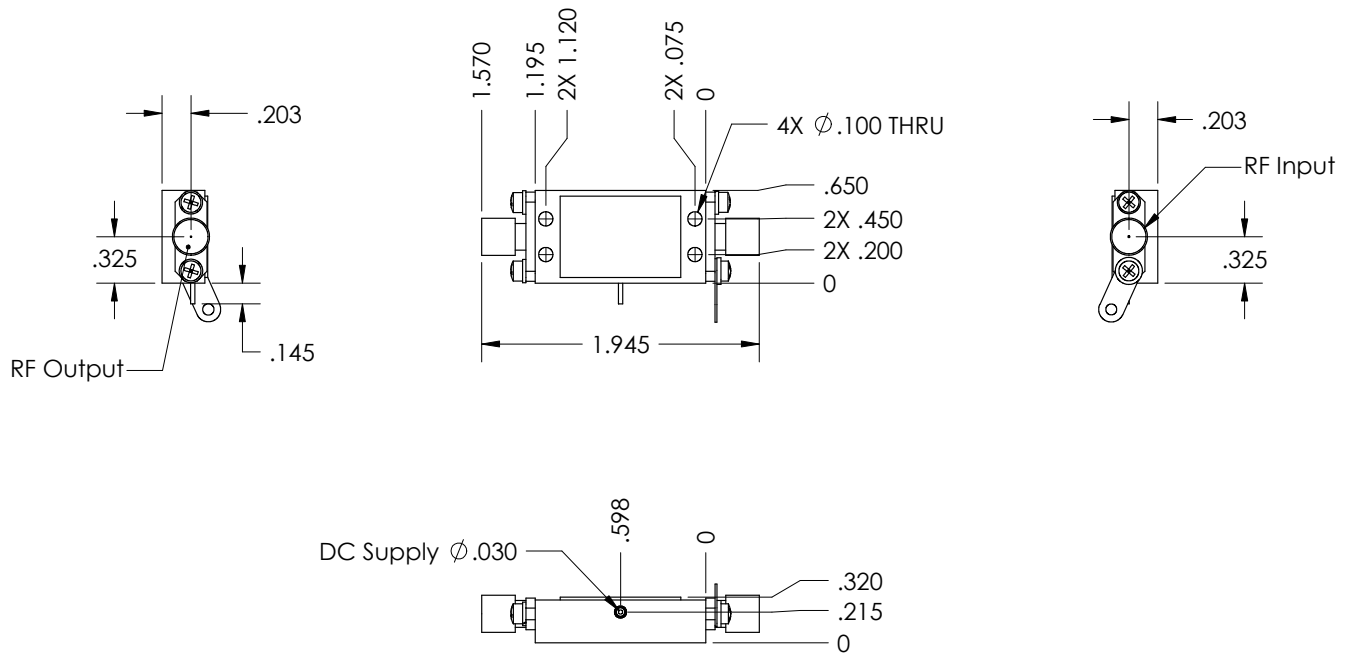
# XK-3



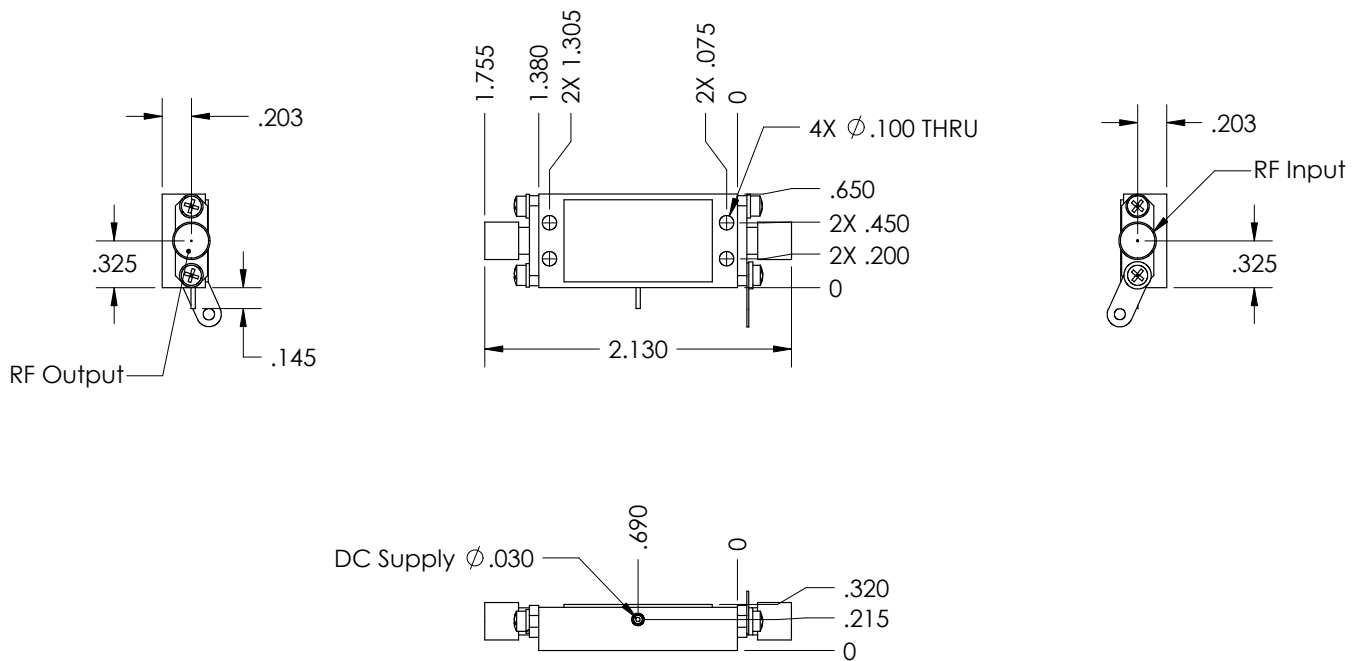
Notes:

- 1) Drawings not to scale
- 2) Ground, Supply Voltage are solderable terminals
- 3) RF connectors are field replaceable SMA female
- 4) Dimensions are subject to change in the interest of improved product performance

# XK-4



# XK-5



Notes:

- 1) Drawings not to scale
- 2) Ground, Supply Voltage are solderable terminals
- 3) RF connectors are field replaceable SMA female
- 4) Dimensions are subject to change in the interest of improved product performance