

MANHOLE PLATFORM SUPPORT

DESCRIPTION AND USE

1. GENERAL

1.01 This section describes the supports provided to make temporary platforms in manholes to facilitate splicing cable. The D Manhole Platform Support is currently supplied; the B and C Manhole Platform Supports and Manhole Platform Support are superseded types, a number of which are still in use.

1.02 This section is being reissued to include information on the D Manhole Platform Support which may be used where the width between supporting racks does not exceed 73 inches.

2. DESCRIPTION

D MANHOLE PLATFORM SUPPORT

2.01 ♦The D Manhole Platform Support (Fig. 1) consists of three telescoping lengths of pipe connecting two hangers for engaging the cable racks on opposite sides of a manhole. The intermediate pipe section carries a friction ring latch which engages the surface of the inner pipe to prevent accidental extension of these pipes during handling. Two wire stops extending through the pipes prevent overextension of the telescoping sections. A spring safety latch is provided on each end for locking the support in place when in use.

2.02 The spring safety latch assembly (Fig. 2) has a sliding cover positioned over the body of the latch. This cover fastened to the locking bolt permits retraction of the latch bolt, and rotation of the cover to a position behind the ears of the body (Fig. 2) holds the bolt in its retracted position. Pressure on the top of the cover releases the bolt to its extended (locking) position.

2.03 ♦The D Manhole Platform Support has a maximum open working position of 73 inches

and a minimum closed working position of 35 1/8 inches.♦

SUPERSEDED TYPES

2.04 ♦The *C Manhole Platform Support* is similar to the D support except that it has no lip on sliding cover of the safety latch assembly and it has a maximum open working position of 59 inches and a minimum closed working position of 32 inches.♦

2.05 The B Manhole Platform Support is similar to the C support except that it has no locking latch on the hanger.

MANHOLE PLATFORM SUPPORT

2.06 This Manhole Platform Support is illustrated in Fig. 3. It has a maximum open working position of 59 inches and a minimum closed working position of 36 inches.

3. USE

3.01 Two or more of these tools are used to provide temporary support for B Platform Planks to form a platform in a manhole or cable vault. As the hangers can be set at horizontal angles, the supports can be used in manholes even though the racks are not directly opposite each other.

3.02 A typical use for these supports is illustrated in Fig. 4.

4. MAINTENANCE

4.01 Keep a thin film of oil on the surfaces of the support to minimize rusting and to reduce friction between telescoping surfaces.

4.02 Damaged supports shall be returned for repair in accordance with local instructions.

**Reprinted to comply with modified final judgment.

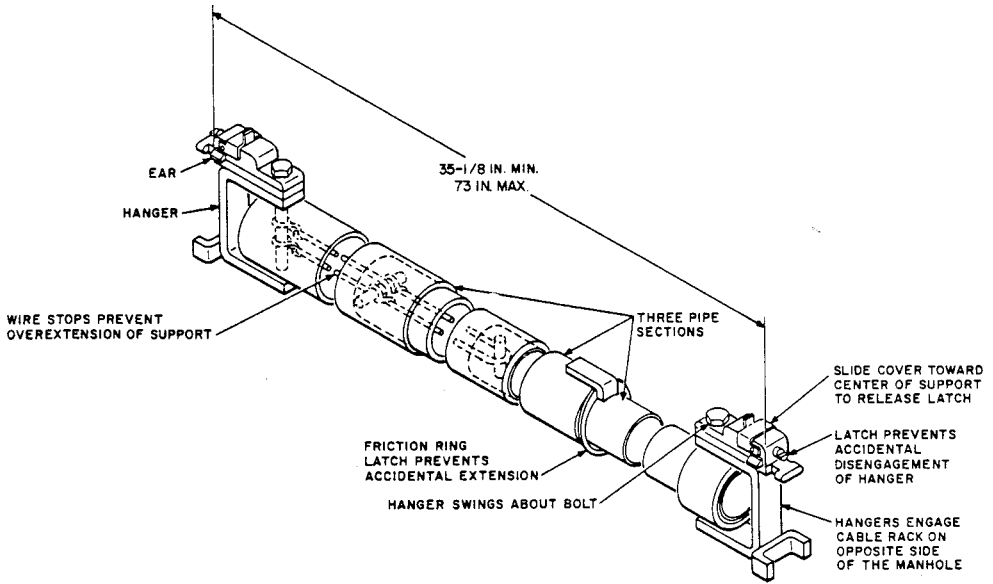


Fig. 1— ϕ D Manhole Platform Support ϕ

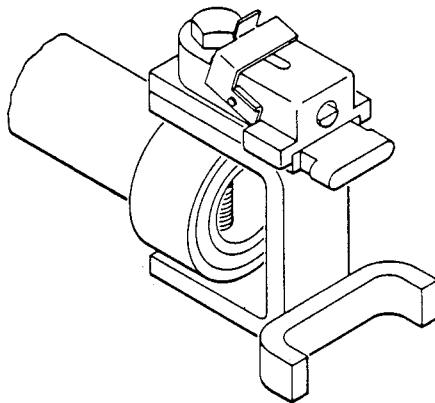


Fig. 2—Spring Safety Latch Assembly with Bolt in Retracted Position

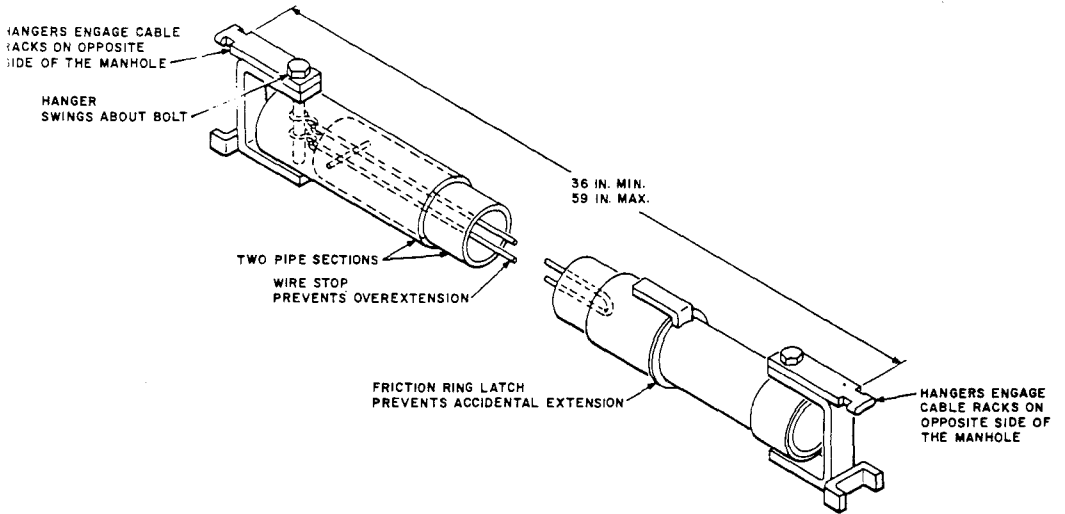


Fig. 3—Manhole Platform Support

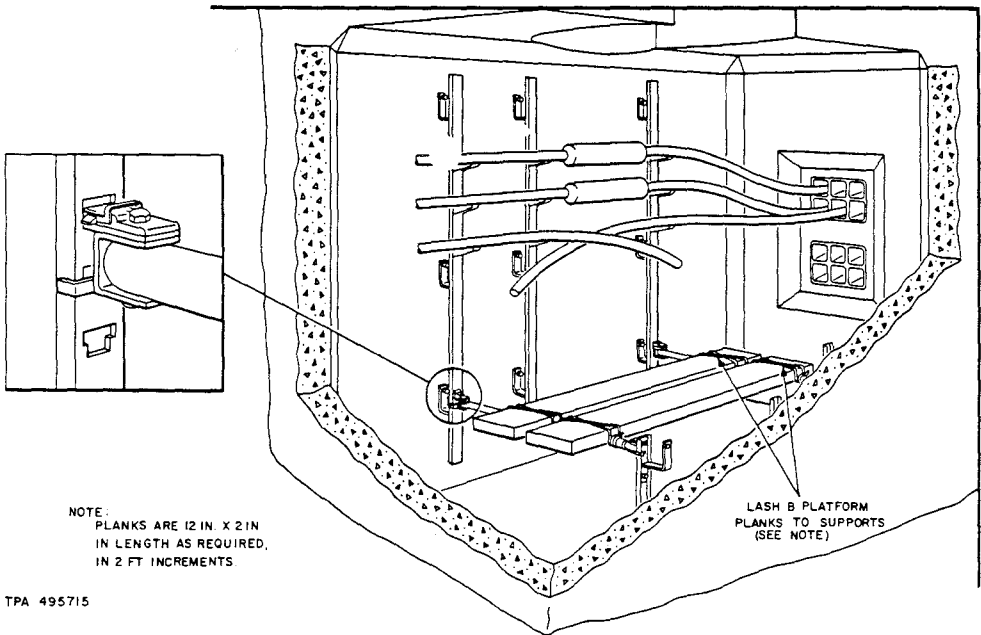


Fig. 4—Platform Supports in Place in Manhole

TPA 495715