

## AERIAL CABLE GUIDES

### DESCRIPTION AND MAINTENANCE

	CONTENTS	PAGE
1.	GENERAL . . . . .	1
2.	DESCRIPTION . . . . .	1
3.	SUPERSEDED CABLE GUIDES . . . . .	2
4.	MAINTENANCE . . . . .	3

#### 1. GENERAL

1.01 This section describes cable guides used to guide and straighten cables as they are pulled into position from a fixed or moving cable reel, and to push cable blocks in lashed cable construction.

1.02 This section has been reissued to include the D Cable Guide. Since the reissue covers a general revision, arrows ordinarily used to indicate changes have been omitted.

#### 2. DESCRIPTION

##### C CABLE GUIDE

2.01 The C Cable Guide (Fig. 1) weighs 60 pounds and consists of a formed shoe for guiding the cable to its position at the suspension strand and an adjustable angle insert in the straight portion of the shoe which aids in removing bows from the cable. It accommodates sizes of cable between 1-3/4 and 3 inches in diameter.

2.02 Adjustment of the angle insert is by means of two bolts, each of which may be inserted in one of five holes arranged as in Fig. 2. One set of holes is located at the rear of the guide beneath the clevis and the other set is located at the front on the upper part of the shoe. The dimensions stamped opposite the holes at the rear of the guide indicate the maximum size cable which the guide will accommodate for each setting.

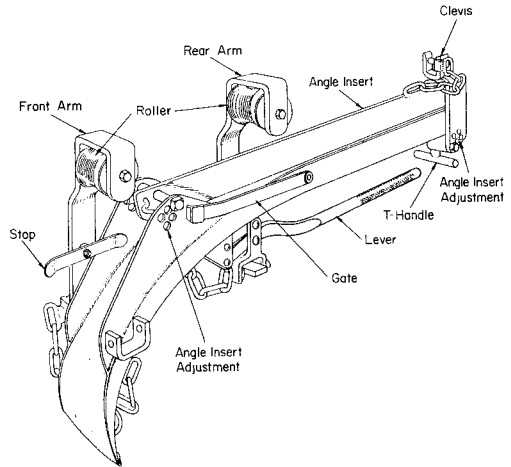


Fig. 1 — C Cable Guide

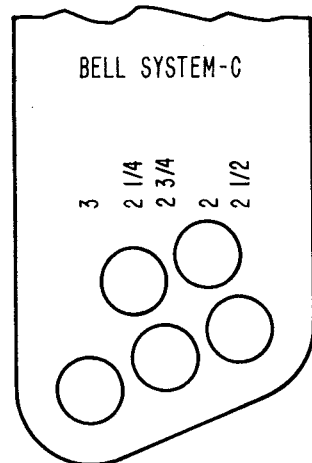


Fig. 2 — Angle Insert Adjustment for C Cable Guide

**2.03** To set the angle insert to the proper position for the cable being placed, bolts are inserted into the holes marked with the same diameter as the cable or, if the exact hole size is not available, the bolts are inserted into the next larger size.

**2.04** Both arms (Fig. 1) are arranged to be mounted on either side of the guide without the use of a wrench. When used in lashing cable directly from a moving reel, the guide is placed on the strand with the arms mounted on the side of the guide opposite the pole. The guide is moved ahead of the lasher by a towing line.

**2.05** During the lashing operation the guide is supported by the rear arm and clevis, but by pulling down on the lever, support can be transferred to the front arm and the clevis while passing clamps at poles.

**2.06** When used to guide cable being pulled into cable blocks, the guide is placed on the strand and anchored to a pole with rope or secured to the strand by a 3-bolt guy clamp behind the clevis.

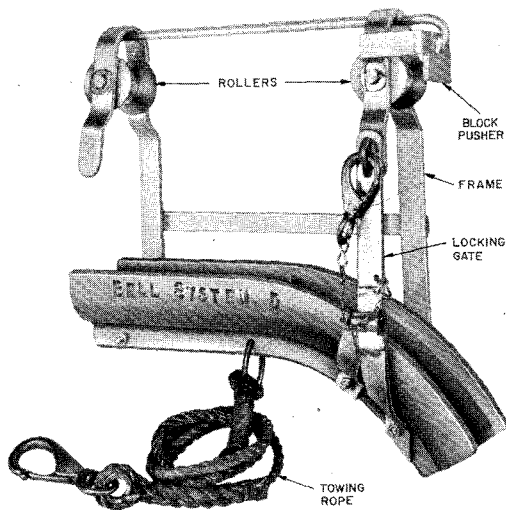


Fig. 3 - D Cable Guide

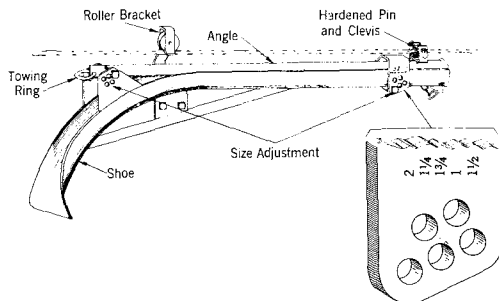


Fig. 4 - Two-inch Cable Guide

**D CABLE GUIDE**

**2.07** The D Cable Guide (Fig. 3), which weighs 15 pounds, consists of a curved aluminum shoe casting with a steel insert for wear protection. The shoe guides the cable to its position at the suspension strand and may be used also when lashing cable to an existing cable and strand. The shoe is supported on the strand by a steel frame which is equipped with a locking gate, a cable block pusher, and two steel rollers. A towing rope equipped with a swivel eye snap hook is attached to a ring under the guide.

**2.08** The D Cable Guide is designed for placing cables up to approximately two inches in diameter and weighing not more than two pounds per foot.

**3. SUPERSEDED CABLE GUIDES**

**TWO-INCH AERIAL CABLE GUIDE**

**3.01** The Two-inch Aerial Cable Guide (Fig. 4) has an adjustable angle iron insert to aid in straightening the cable as it passes through the guide.

**3.02** The sizes marked opposite the five holes at the rear end of the guide indicate the size of the opening rather than size of the cable. The guide will accommodate cable 1/4-inch less than the diameter indicated opposite the hole selected. To set the guide, use Table A.

**TABLE A - GUIDE SETTINGS FOR TWO-INCH CABLE GUIDE**

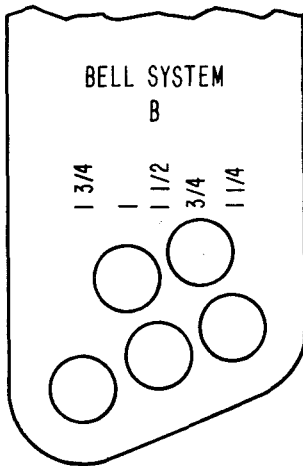
DIAMETER OF CABLE (inches)	GUIDE OPENING
3/4 or less	1
3/4 to 1	1-1/4
1 to 1-1/4	1-1/2
1-1/4 to 1-1/2	1-3/4
1-1/2 to 1-3/4	2

**3.03** A roller near the front end, and a clevis and hardened pin near the rear, support the guide on the strand. The roller bracket may be attached to either side of the guide.

#### B CABLE GUIDE

**3.04** The B Cable Guide is similar in design and is used in the same manner as described in Part 2 for the C Cable Guide.

**3.05** The B Cable Guide weighs 35 pounds and is used for placing cable up to 1-3/4 inches in diameter. The angle insert may be adjusted to accommodate various cable diameters by selecting the proper adjusting hole shown in Fig. 5.



**Fig. 5 — Angle Insert Adjustment for B Cable Guide**

#### AERIAL CABLE GUIDE AND STRAIGHTENER

**3.06** The Aerial Cable Guide and Cable Straightener has a straightener section which consists of tubing, 2 or 3 inches in diameter. The straightener section is not adjustable; however, the straightener section can be changed to accommodate different sizes of cable. The guide is supported on the strand by three hardened steel pins.

**3.07** The Two-inch Aerial Cable Guide, the Aerial Cable Guide and Cable Straightener, and the B Cable Guide have been superseded by the C and D Cable Guides described in Part 2 of this section.

#### 4. MAINTENANCE

**4.01** Bearings on the rollers of the guides should be oiled lightly each day they are used. Wipe off excess oil.

**4.02** The guides should be inspected for broken, loose, or missing parts each time they are used. Defective guides should be repaired in accordance with local instructions before being used.