

## B AND C CABLE BENDING SHOE

### DESCRIPTION AND USE

#### 1. GENERAL

1.01 This section covers the description, use, and ordering information for the B and C cable bending shoe.

1.02 When this section is reissued, the reason for the reissue will be listed in this paragraph.

#### 2. DESCRIPTION AND USE

##### A. B Cable Bending Shoe

2.01 The B cable bending shoe consists of a trough-like steel section bent in a 75-degree arc with one end extended as shown in Fig. 1.

2.02 When the extended end of the cable bending shoe is inserted into the duct of a manhole, it provides a curved support against which the cable can be bent. This prevents kinking and scarring of the cable. The shoe is also used as a support with a cable jack for bending cables for racking.

2.03 The B cable bending shoe has an inside cross-sectional diameter of 3.06 inches and can accommodate cables up to 3 inches in diameter.

##### B. C Cable Bending Shoe

2.04 The C cable bending shoe is a larger version of the B cable bending shoe. The inside cross-sectional diameter is 3.56 inches and is designed to accommodate cables of 3 inches to 3.5 inches in diameter.

#### 3. ORDERING INFORMATION

3.01 Both the B and C cable bending shoes will be stamped at one end with either the letter B or C to indicate the size. All orders placed for these bending shoes must be worded as follows:

(Qty) Shoe, Bending Cable, B

(Qty) Shoe, Bending Cable, C.

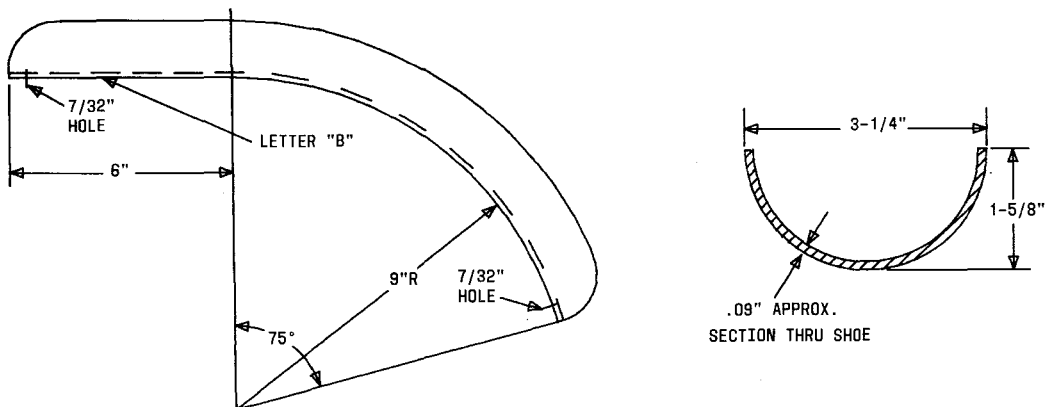


Fig. 1—B Cable Bending Shoe

#### NOTICE

Not for use or disclosure outside the  
Bell System except under written agreement