

## J CONNECTOR DESCRIPTION

### 1. GENERAL

- 1.01 This section describes the J connector.
- 1.02 Whenever this section is reissued, the reason(s) for reissue will be stated in this paragraph.
- 1.03 The J connector is used to make electrical connections of bonding ribbon or No. 6 copper wire to No. 1/0 copper wire.

### 2. DESCRIPTION

- 2.01 The J connector is a vise-grip type of brass connector that is secured with a slotted, hex-head machine screw. The machine screw may be tightened with a 216-type tool or a screwdriver.
- 2.02 The J connector will accept one No. 1/0 copper ground wire and one No. 6 copper wire or one No. 1/0 copper ground wire and one plain bonding ribbon.

### 3. USE

- 3.01 The J connector is intended for use in cable entrance facilities for connecting the cable shield (or sheath) bond(s) to the central office principal ground.
- 3.02 The J connector and the methods of making connections are illustrated in Fig. 1 and 2.

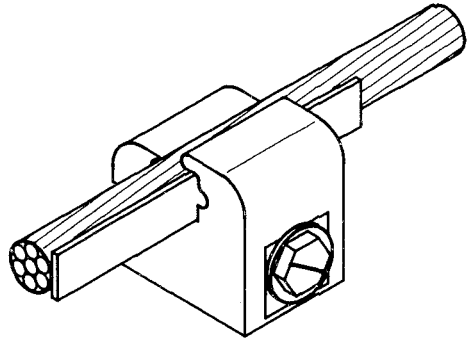


Fig. 1—J Connector—Bonding Ribbon to No. 1/0 Ground Wire Connection

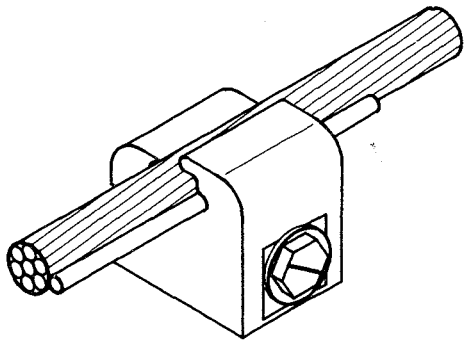


Fig. 2—J Connector—No. 6 Copper Wire to No. 1/0 Ground Wire Connection

### NOTICE

Not for use or disclosure outside the  
Bell System except under written agreement