

297-1001-527

DMS-100 Family

Digital Recorded Announcement Machine
DRAM and EDRAM Guide

BASE09 and up Standard 13.06 August 1999

NORTEL
NORTHERN TELECOM

DMS-100 Family

Digital Recorded Announcement Machine

DRAM and EDRAM Guide

Publication number: 297-1001-527
Product release: BASE09 and up
Document release: Standard 13.06
Date: August 1999

© 1982, 1984, 1985, 1986, 1987, 1988, 1990, 1991, 1993, 1994, 1995, 1996, 1997, 1999 Northern
Telecom
All rights reserved

Printed in the United States of America

NORTHERN TELECOM CONFIDENTIAL: The information contained in this document is the property of Northern Telecom. Except as specifically authorized in writing by Northern Telecom, the holder of this document shall keep the information contained herein confidential and shall protect same in whole or in part from disclosure and dissemination to third parties and use same for evaluation, operation, and maintenance purposes only.

Information is subject to change without notice. Northern Telecom reserves the right to make changes in design or components as progress in engineering and manufacturing may warrant.

This equipment has been tested and found to comply with the limits for a Class A digital device pursuant to Part 15 of the FCC Rules, and the radio interference regulations of the Canadian Department of Communications. These limits are designed to provide reasonable protection against harmful interference when the equipment is operated in a commercial environment. This equipment generates, uses and can radiate radio frequency energy and, if not installed and used in accordance with the instruction manual, may cause harmful interference to radio communications. Operation of this equipment in a residential area is likely to cause harmful interference in which case the user will be required to correct the interference at the user's own expense. Allowing this equipment to be operated in such a manner as to not provide for proper answer supervision is a violation of Part 68 of FCC Rules, Docket No. 89-114, 55FR46066. The SL-100 system is certified by the Canadian Standards Association (CSA) with the Nationally Recognized Testing Laboratory (NRTL). This equipment is capable of providing users with access to interstate providers of operator services through the use of equal access codes. Modifications by aggregators to alter these capabilities is a violation of the Telephone Operator Consumer Service Improvement Act of 1990 and Part 68 of the FCC Rules

DMS, DMS SuperNode, MAP, and NT are trademarks of Northern Telecom.

Publication history

August 1999

BASE09 Standard 13.06

- added procedure *Recording announcements at a consistent level*

March 1999

BASE09 Standard 13.05

- added appendix A ‘EDRAM voice file contents’
- added appendix B ‘EDRAM IDC voice file contents’

March 1998

BASE09 Standard 13.04

- editing changes

February 1998

BASE09 Standard 13.03

- design review changes

December 1997

BASE09 Standard 13.02

- design review changes
- editing changes

August 1997

BASE09 Standard 13.01

- revisions to Chapters 15 and 16 to incorporate feature AR1811 (new data schema table DRAMPHRS)
- revisions to Chapters 3 and 16 and addition of a new Chapter 14 to address a PRS

March 1997

BASE07 Standard 12.03

- added DRAM record utility (DRAMREC) chapter (Chapter 14)

- added procedure to record announcements after a power or card failure (to Chapter 12)

November 1996

BASE07 Standard 12.02

- added information on Capability Set 1 (CS1) announcements (GL03)

August 1996

BASE07 Standard 12.01

- revisions that associate with the introduction of the NT1X80BA (16-min EDRAM)
- revisions that associate with the introduction of the NT1X81BA (Japanese toneset conference trunk module)

October 1995

CSP05 Standard 11.01

- added information on Notification of Time and Charge (NTC) service
- added editorial markup

April 1995

CSP04 Standard 10.01

- added information on how to replace NT1X00 tone cards with Digital Trunk Module (DTM) NT1X80AA in TM/MTM shelf

September 1993

BCS36 Preliminary 09.01

- added information on the Deny Malicious Call Termination voice file
- added procedure *Uploading EDRAM files to a storage device*

March 1993

BCS34 Standard 08.02

- updated to include minor technical changes
- inserted Sit (special information tone) definitions table

December 1992

BCS34 Standard 08.01

- included canceled information from *Digital Recorded Announcement Machine (DRAM) Administration Guide 297-1001-316*.
- included information on the enhanced digital recorded announcement machine (EDRAM)

- changed the title from *Digital Recorded Announcement Machine Maintenance Guide* to *Digital Recorded Announcement Machine DRAM and EDRAM Guide* to reflect the new content
- transferred all tables of recorded announcements to the NT1X76 PROM card descriptions in *Hardware Description Manual*, 297-1001-805
- transferred all maintenance and diagnostic information to *Peripheral Module Maintenance Guide*, 297-1001-592
- transferred all DRAM commands to *Commands Reference Manual*, 297-1001-822

July 1992

BCS33 Standard 07.03

- added information on EDRAM capabilities
- included references to *Lines, Trunks and Peripherals Trouble Locating and Clearing Procedures*, 297-1001-586

Contents

About this document	xv
When to use this document	xv
How to check the version and issue of this document	xv
References in this document	xv
What precautionary messages mean	xvi
How commands, parameters, and responses are represented	xviii
Input prompt (>)	xviii
Commands and fixed parameters	xviii
Variables	xviii
Responses	xviii
<hr/>	
Understanding DRAM and EDRAM	1-1
Digital recorded announcement machine	1-1
Enhanced digital recorded announcement machine	1-1
DRAM in the DMS network	1-2
EDRAM in the DMS network	1-2
<hr/>	
DRAM and EDRAM hardware	2-1
Hardware components	2-1
DRAM hardware	2-1
EDRAM hardware	2-1
DRAM components	2-1
Hardware usage restrictions	2-2
Electromagnetic interference information	2-2
Sparing information	2-3
NT1X75 controller card	2-3
NT1X76 PROM card	2-4
NT1X77 RAM card	2-5
NT1X79 EEPROM card	2-6
Speech memory card	2-8
EDRAM components	2-11
Hardware restrictions	2-11
Hardware dependencies	2-11
Sparing information	2-11
NT1X80AA EDRAM card	2-12
NT1X80BA EDRAM card	2-12
Additional components	2-12

EDRAM DS30 links	2-13	
DRAM and EDRAM software		3-1
DRAM software	3-1	
Required software	3-1	
Standard announcements	3-1	
Customized announcements	3-2	
EDRAM software	3-3	
Loader features	3-3	
Maintenance trunk module features	3-4	
Digital recorded announcements features	3-4	
Required software	3-4	
Software dependencies	3-5	
Standard announcements	3-5	
EDRAM voice files	3-5	
EDRAM voice file installation	3-8	
Applications that depend on DRAM or EDRAM	3-8	
Automatic Calling Card Service announcements	3-9	
Auxiliary Operator Services System announcements	3-9	
Call Management Service or Custom Local Area Signaling Service announcements	3-9	
Calling Number Announcements	3-9	
Deny Malicious Call Termination	3-10	
Mechanized Calling Card Service announcements	3-10	
Notification of Time and Charge	3-10	
Subscriber Activated Call Blocking announcements	3-11	
CS-R1 announcements	3-11	
Tone feature	3-11	

Understanding DRAM and EDRAM planning and engineering		4-1
Product functions	4-1	
Operational description	4-1	
Broadcasting announcements	4-2	
Broadcasting capacities	4-6	
Speech storage techniques	4-6	
Reduction of storage requirements	4-7	
Concatenation of subphrases	4-7	
Artificial generation of pauses	4-7	
Bit-efficient algorithm	4-7	
Speech Memory Organization	4-7	
DRAM special information tones	4-8	
EDRAM special information tones	4-11	
DRAM architecture	4-11	
DRAM configuration	4-12	
Physical provisioning information	4-12	
EDRAM architecture	4-12	
EDRAM configuration	4-12	
Physical provisioning information	4-12	

Maintenance impact of DRAM and EDRAM hardware and software	4-12
Determining service requirements for DRAM and EDRAM	5-1
Grade-of-service requirements	5-1
Memory considerations	5-1
Firmware requirements	5-1
Data store and program store impact	5-1
Traffic considerations	5-1
Traffic tables	5-1
Messaging and throughput	5-2
Overload and flow controls	5-2
<hr/>	
Ordering DRAM and EDRAM	6-1
Order capture tools	6-1
Using NT-ACCESS	6-1
NT-ACCESS features	6-2
NT-ACCESS components and subsystems	6-2
Using NT86xx series questionnaires	6-3
<hr/>	
Planning DRAM and EDRAM expansion	7-1
Guidelines for expansion	7-1
Adding hardware	7-1
Adding software	7-1
Exhaust level plans and forecasts	7-2
<hr/>	
Understanding DRAM and EDRAM administration	8-1
Defining administration functions	8-1
System resources	8-1
Component failures and system faults	8-2
Monitoring card use	8-2
<hr/>	
Evaluating DRAM and EDRAM performance factors	9-1
Creating a performance monitoring plan	9-1
Monitoring performance factors and system faults	9-1
Establishing performance standards	9-3
Capacity considerations	9-3
Performance indicators Announcement usage	9-5
<hr/>	
Using OMs to evaluate DRAM and EDRAM performance	10-1
Defining operational measurements	10-1
<hr/>	
DRAM and EDRAM tracking work sheets	11-1
Using the work sheets	11-1
Attempts/overflows work sheet	11-1
Percent overflow work sheet	11-2
Usage of each announcement work sheet	11-3
<hr/>	
Recording on DRAM and EDRAM	12-1
Task list	12-1

Recording custom announcements on EDRAM 12-3
Recording announcements at a consistent level 12-9
Recording custom announcements on Norstar 12-20
Recording custom announcements on Norstar 12-27
Reloading factory-produced voice files to EDRAM 12-38
Uploading EDRAM files to a storage device 12-47
Reloading custom announcements to EDRAM 12-54
Recording announcements after a power or card failure 12-64

Finding DRAM and EDRAM information 13-1

Administration 13-1
Maintenance 13-2
Planning and engineering 13-2
Translations 13-3
Documentation key 13-4
Documentation index 13-7

Datafilling and testing tones 14-1

Task list 14-1
 Explanation and information that sets context 14-1
 Summary flowchart 14-1
 List of steps 14-2
Datafilling and testing the milliwatt tone 14-3
Datafilling and testing the receiver off-hook tone 14-9

DRAM record utility 15-1

DRAMREC functions 15-2
DRAMREC commands 15-3
 ANNSDEBUG command 15-3
 ASSIGN command 15-5
 ASSIGNDUMP command 15-10
 CONNECT command 15-13
 DEBUG command 15-16
 DISCONNECT command 15-26
 DISPLAY command 15-26
 ERASE command 15-30
 FIND command 15-34
 HELP command 15-36
 PLAYBACK command 15-38
 POSITION command 15-39
 Q command 15-43
 QUIT command 15-45
 RECORD command 15-45
 SITLOAD command 15-50

Understanding DRAM and EDRAM translations 16-1

DRAM tables 16-1
 Table ANNS 16-1
 Table ANNMEMS 16-2
 Table DRAMS 16-2
 Table DRAMPHRS 16-2

Table DRAMTRK	16-3
Table DRMUSERS	16-3
Datafill sequence for DRAM	16-4
EDRAM tables	16-4
Table TMINV	16-4
Table EDRAMINV	16-4
Table DRAMS	16-5
Datafill sequence for EDRAM	16-5
Datafilling the Tone feature	16-6

Appendix A EDRAM voice file contents

17-1

English announcements	17-1
Voice file name ACMSC0GE	17-3
Voice file name ACMC0GF	17-6
Voice file name ACMS0GG	17-8
Voice file name ACMC0GH	17-11
Voice file name ACMSC0GJ	17-14
Voice file name ACMSC0GK	17-17
Voice file name ACMSC0GL	17-20
Voice file name ACMSC0GM	17-23
Voice file name ACMSL0GA	17-26
Voice file name ACMSL0GB	17-30
Voice file name ACMSL0GC	17-32
Voice file name ASTD0AB	17-35
Voice file name EAABS0HC	17-40
Voice file name EACCS0AH	17-47
Voice file name EACTS0AE	17-50
Voice file name EAOSS0AF	17-55
Voice file name EAOSS0AG	17-58
Voice file name EARDT0JA	17-63
Voice file name EARDT0JB	17-67
Voice file name ECFRA0AM	17-73
Voice file name ECLS10AJ	17-76
Voice file name ECLS10AK	17-80
Voice file name ECLS20AP	17-82
Voice file name ECLS20AQ	17-86
Voice file name ECLS20AR	17-89
Voice file name ECLS20AS	17-92
Voice file name ECLS20AT	17-95
Voice file name ECLS20AU	17-98
Voice file name ECLS20AV	17-101
Voice file name ECLS20AW	17-105
Voice file name EMCCS0CA	17-108
Voice file name FAABS0HD	17-113
French announcements	17-121
Voice file name FAOSS0BF	17-121
Voice file name FAOSS0BG	17-125
Voice file name FACCS0BH	17-128
Voice file name FCLS10BJ	17-132
Voice file name FCLS10BK	17-135
Voice file name FCLS20BP	17-139

Voice file name FCLS20BQ	17-142
Voice file name FCLS20BR	17-144
Voice file name FCLS20BS	17-147
Voice file name FCLS20BT	17-151
Voice file name FCLS20BU	17-155
Voice file name FCLS20BV	17-159
Voice file name FCLS20BW	17-162
Spanish announcements	17-165
Voice file name SCLS10CJ	17-165
Voice file name SCLS10CK	17-168
Voice file name SCLS20CP	17-173
Voice file name SCLS20CQ	17-175
Voice file name SCLS20CR	17-177
Voice file name SCLS20CS	17-179
Voice file name SCLS20CT	17-180
Voice file name SCLS20CU	17-185
Voice file name SCLS20CV	17-187
Voice file name SCLS20CW	17-190

Appendix B IDC EDRAM voice file contents

18-1

English announcements	18-2
Voice file name JPATC0DA	18-2
Voice file name JPATC0DB	18-5
Voice file name JPATC0DC	18-8
Voice file name JPATC0DD	18-12
Japanese announcements	18-16
Voice file name JPATC0EA	18-16
Voice file name JPATC0EB	18-20
Voice file name JPATC0EC	18-24
Voice file name JPATC0ED	18-28
Korean announcements	18-33
Voice file name korean01	18-33
Voice file name korean23	18-37
Voice file name korean45	18-40
Voice file name korean67	18-44
Voice file name korean8	18-47
Malay announcements	18-49
Voice file name malay01	18-49
Voice file name malay23	18-52
Voice file name malay45	18-55
Voice file name malay67	18-59
Voice file name malay89	18-61
Mandarin announcements	18-64
Voice file name mndrn01	18-64
Voice file name mndrn23	18-67
Voice file name mndrn45	18-70
Voice file name mndrn67	18-74
Portuguese announcements	18-78
Voice file name prtugs01	18-78
Voice file name prtugs23	18-81
Voice file name prtugs45	18-84

Voice file name prtgs67 18-88
 Voice file name prtugs89 18-90
 Voice file name prtugs10 18-93
 Spanish announcements 18-95
 Voice file name spansh01 18-95
 Voice file name spansh23 18-99
 Voice file name spansh45 18-102
 Voice file name spansh67 18-106
 Voice file name spansh8 18-109
 Tagalog announcements 18-110
 Voice file name tagalog1 18-110
 Voice file name tagalog2 18-113
 Voice file name tagalog3 18-117
 Voice file name tagalog4 18-121
 Thai announcements 18-125
 Voice file name thai01 18-125
 Voice file name thai23 18-128
 Voice file name thai45 18-131
 Voice file name thai67 18-134
 Voice file name thai89 18-137

List of terms

19-1

ABS 19-1

About this document

When to use this document

This document describes the digital recorded announcement machine (DRAM) and the enhanced DRAM (EDRAM). This document also describes the correct features and administration procedures of the DRAM and EDRAM. This document includes references to other documents that provide information about how to maintain the DRAM and EDRAM.

How to check the version and issue of this document

Numbers indicate the version and issue of the document, for example, 01.01.

The first two digits indicate the version. The version number increases each time Nortel updates the document to support a new software release. For example, the first release of a document is 01.01. In the *next* software release cycle, the first release of the same document is 02.01.

The second two digits indicate the issue. The issue number increases each time the document changes but is released again in the *same* software release cycle. For example, the second release of a document in the same software release cycle is 01.02.

This document is for all DMS-100 Family offices. More than one version of this document can be present. Determine if you have the latest version of this document and the organization of documentation for your product. Check the release information in *Product Documentation Directory*, 297-8991-001.

References in this document

This document refers to the following documents:

- *Alarm and Performance Monitoring Procedures*
- *Card Replacement Procedures*
- *DMS-100 Family Commands Reference Manual*, 297-1001-822
- *EDRAM16 Installation Manual*, IM 35-5075
- *Feature Description Manual*

- *Hardware Description Manual*
- *Logs Reference Manual*
- *Office Parameters Reference Manual*
- *Operational Measurements Reference Manual*
- *Peripheral Modules Maintenance Guide, 297-1001-592*
- *Provisioning Manual*
- *Translations Guide*
- *Trouble Locating and Clearing Procedures*

What precautionary messages mean

The types of precautionary messages in NT documents include attention boxes and danger, warning and caution messages.

An attention box identifies information required for the correct performance of a procedure or task. This information is necessary for the correct description of information or data. Danger, warning, and caution messages indicate risk.

Examples of the precautionary messages follow.

WARNING Information needed to perform a task

ATTENTION

The unused DS-3 ports must be deprovisioned before you install a DS-1/VT Mapper. If this condition does not occur, the system does not carry the DS-1 traffic through the DS-1/VT Mapper. The presence of a correctly provisioned DS-1/VT Mapper does not affect this requirement.

DANGER Possibility of personal injury



DANGER

Risk of electrocution

Do not open the front panel of the inverter unless fuses F1, F2, and F3 are not present. The inverter contains high-voltage lines. The high-voltage lines are active until removal of the fuses. If you remove fuses before this, you risk electrocution.



DANGER

Risk of electrocution

Do not open the front panel of the inverter unless fuses F1, F2, and F3 are not present. The inverter contains high-voltage lines. The high-voltage lines are active until removal of the fuses. You risk electrocution.

WARNING Possibility of equipment damage



WARNING

Damage to the backplane connector pins

Align the card before you seat the card. Avoid bending the backplane connector pins. Use light pressure to align the card with the connectors. Use the levers on the card to seat the card in the connectors.



WARNING

Damage to the backplane connector pins

Align the card before you seat the card. Avoid bending the backplane connector pins. Use light pressure to align the card with the connectors. Use the levers on the card to seat the card in the connectors.

CAUTION Possibility of service interruption or degradation



CAUTION

Possible loss of service

Confirm that you remove the card from the inactive unit of the peripheral module. Removal of the card from the active unit causes a loss of subscriber service.



CAUTION

Possible loss of service

Confirm that you remove the card from the inactive unit of the peripheral module. Removal of the card from the active unit causes a loss of subscriber service.

How commands, parameters, and responses are represented

Commands, parameters and responses in this document conform to the following standards.

Input prompt (>)

An input prompt (>) indicates the following information is a command:

>BSY

Commands and fixed parameters

Commands and fixed parameters the user enters at a MAP terminal appear in uppercase letters:

>BSY CTRL

Variables

Variables appear in lowercase letters:

>BSY CTRL ctrl_no

The user must enter letters or numbers that the variable represents. A list that follows the command string explains each variable.

Responses

Responses correspond to the MAP display and appear in a different type:

```
FP 3 Busy CTRL 0: Command request has been submitted.  
FP 3 Busy CTRL 0: Command passed.
```

The following example from a procedure shows the command syntax this document uses:

At the MAP display terminal

- 1 To manually busy the CTRL on the inactive plane, type

>BSY CTRL ctrl_no
and press the Enter key.

where

ctrl_no is the number of the CTRL (0 or 1)

Example of a MAP response:

```
FP 3 Busy CTRL 0: Command request has been submitted.  
FP 3 Busy CTRL 0: Command passed.
```

Understanding DRAM and EDRAM

This chapter describes the following:

- digital recorded announcement machine (DRAM)
- enhanced digital recorded announcement machine (EDRAM)
- relationship between DRAM and the DMS network
- relationship between EDRAM and the DMS network

Digital recorded announcement machine

The DRAM is a peripheral module (PM) in a maintenance trunk module (MTM) that has a special DRAM equipment shelf (NT2X58AG). The DRAM equipment shelf consists of one controller card and at least one speech memory card. There are four types of the DRAM speech card, depending on memory storage requirements.

The DRAM provides recorded announcements that the system stores in digital format. You can use these recorded announcements alone or in conjunction with other announcements. Several sets of standard announcements are available on programmable read-only memory (PROM) cards. To make other announcements on-site, use random access memory (RAM) cards and electronically erasable PROM (EEPROM) cards.

The DRAM output is in digital format. Termination devices like the line or trunk card convert the DRAM output to analog format.

Enhanced digital recorded announcement machine

The EDRAM is a stand-alone PM that can be present in offices equipped with DRAM. The EDRAM is a card (NT1X80) that replaces the DRAM shelf. You can plug the EDRAM in any of the 12 slots on an MTM shelf.

The EDRAM has a smaller footprint and reduced shelf and frame requirements than the DRAM. The EDRAM reduces replacement inventory requirements because the EDRAM is a single-card PM.

The EDRAM offers the flexibility of a DRAM shelf in a single-card PM. The EDRAM provides already recorded announcements that you can

download from voice files. The EDRAM also provides the same functionality as the DRAM controller and the NT1X76 or NT1X77 memory cards.

For more information on DRAM and EDRAM cards, refer to *Card Replacement Procedures*.

DRAM in the DMS network

The DRAM is a PM on an MTM shelf. A DS30 link connects the shelf to the network.

EDRAM in the DMS network

The EDRAM is also a PM on an MTM shelf. A DS30 link connects each EDRAM card directly to the network.

DRAM and EDRAM hardware

This chapter describes the following:

- cards in the digital recorded announcement machine (DRAM)
- enhanced recorded announcement machine (EDRAM) card

Hardware components

The DRAM and EDRAM consist of the hardware components described in the following paragraphs.

DRAM hardware

The DRAM includes the controller card and the following types of memory cards:

- programmable read-only memory (PROM)
- random access memory (RAM)
- electrically erasable PROM (EEPROM)

EDRAM hardware

The EDRAM consists of the EDRAM card (NT1X80).

DRAM components

The DRAM shelf contains a controller card. The DRAM shelf also contains up to eight single-density or four double-density speech memory or announcement cards.

The DRAM consists of a controller card and up to eight virtual speech cards. The virtual speech card type depends on type of memory in the card (RAM, PROM, or EEPROM). All virtual speech cards, except for AA versions, are double-density and consist of two virtual cards.

The following table contains acceptable controller and speech memory card configurations for DRAM.

**Table 2-1
DRAM controller and speech card configurations**

BCS	Controller card	Acceptable speech memory cards
24	NT1X75BA	NT1X76AA, NT1X76AB, NTX176AE, NT1X76BA, NT1X76CA, NT1X77AA, NT1X79AA, NT1X76AF, NT1X76AG, NT1X76BF, NT1X76BG
25 and up	NT1X75BA	Same as BCS24 plus: NT1X76AH, NT1X76BH

The following table contains card names, product engineering codes (PEC), and card suffixes for DRAM.

**Table 2-2
DRAM hardware**

Card name	Card PEC and suffix
Digital recorded announcement processor	NT1X75AA, BA
Digital recorded announcement PROM card CMS/CLASS Phase I and II	NT1X76xx
Digital recorded announcement RAM	NT1X77AA
Digital recorded announcement electrically erasable PROM card	NT1X79AA

Hardware usage restrictions

If you require two DRAMs, you must equip the first DRAM with the NT1X79 card before you equip the second DRAM shelf.

Electromagnetic interference information

Specified electromagnetic interference (EMI) information on the DRAM does not apply because the system performs EMI tests at the DMS-100 system level.

Sparing information

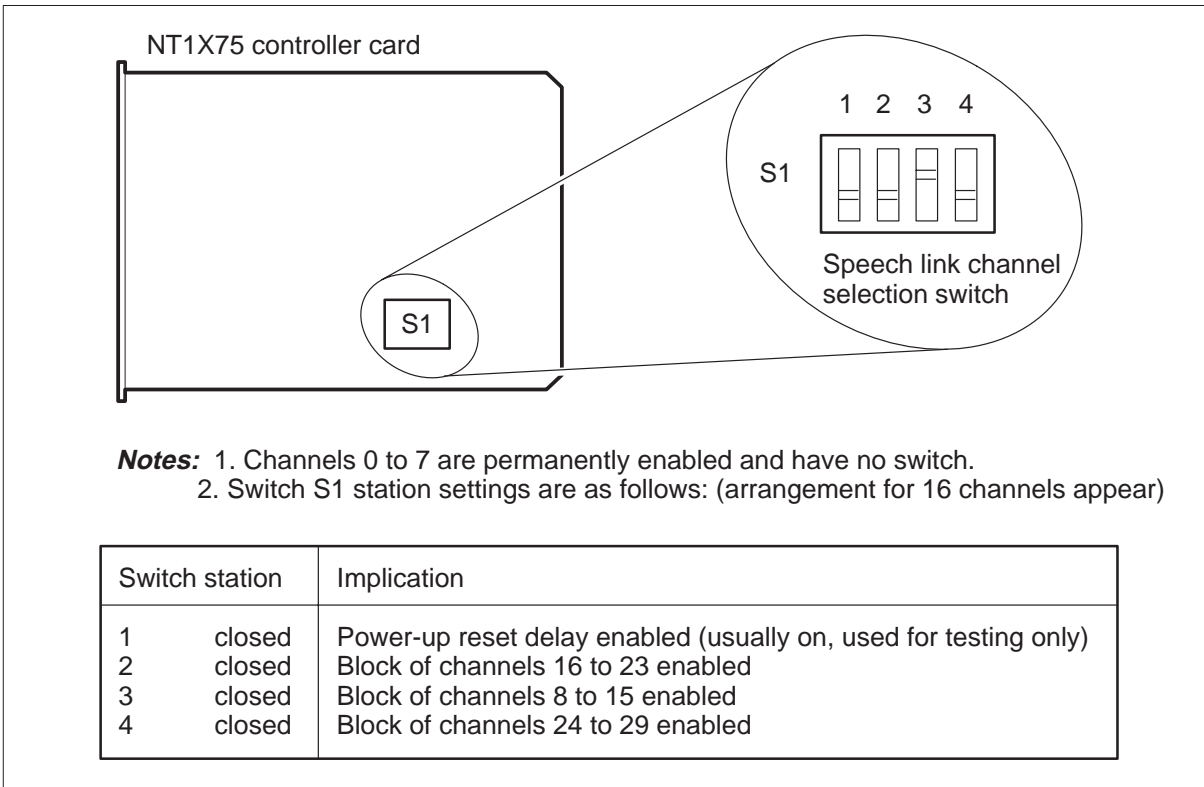
To determine sparing requirements, use the mean time between failure (MTBF). The MTBF for DRAM is 3.5 years. As a general rule, each site should have a minimum of one spare card of each card type.

NT1X75 controller card

The NT1X75 card controls reception and transmission of messages to the DMS-core. The NT1X75 card has the following characteristics:

- always located in slot 5
- assigned card number 0 and trunk module circuit number 0
- contains a multichannel pulse code modulation (PCM)-to-adaptive differential pulse code modulation (ADPCM) encoder/decoder and control circuitry to do the following:
 - select and retrieve messages from speech memory
 - transmit messages on designated speech channels
 - record new announcements
- can address up to one Mbyte of speech memory (equivalent to eight virtual cards or 8 x 128 kbyte) that represents approximately 254 s of speech
- can function as a 16-, 24-, or 30-speech channel interface. Switches provide the option of using the specified blocks of channels for uses other than DRAM.

Figure 2-1
DRAM controller card



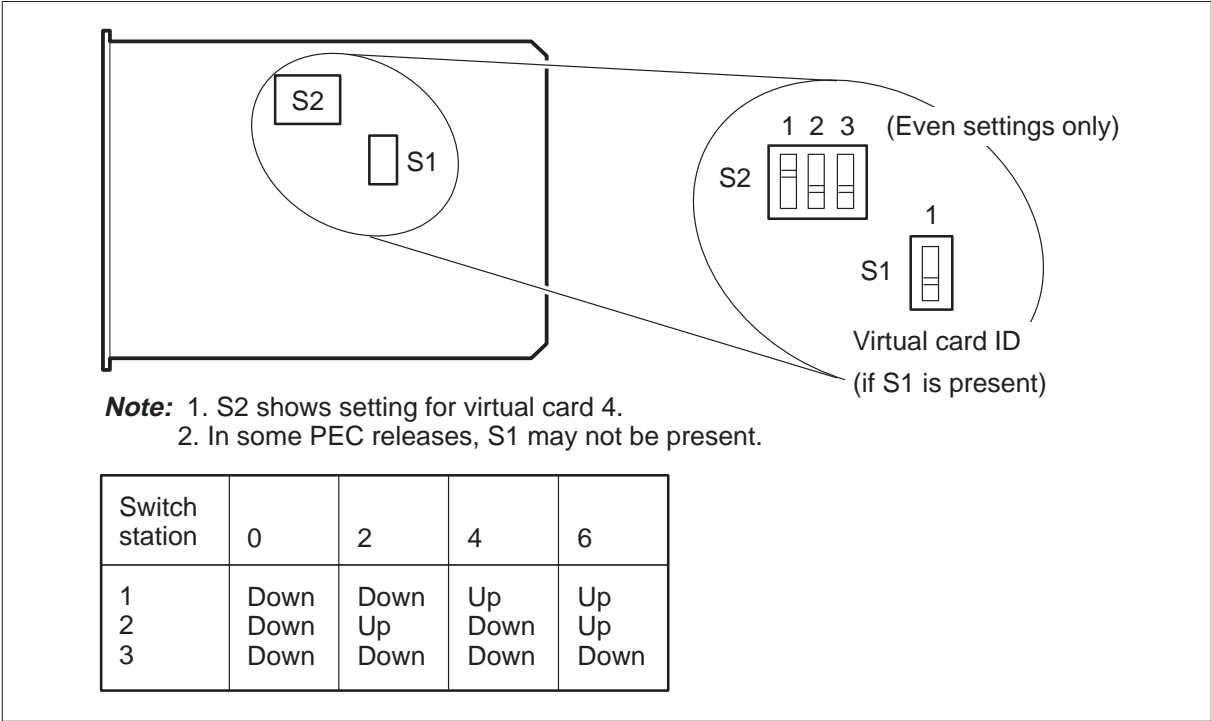
NT1X76 PROM card

The NT1X76 card contains factory-programmed announcements in EEPROM. The NT1X76 card has the following characteristics:

- can be single density (128-kbyte—one virtual card) or double density (256-kbyte—two virtual cards)
- provides nonvolatile storage for permanently recorded announcements, and contains circuits that connect to the NT1X75 card. The NT1X76 card can hold 124-kbyte of speech recording or 992 speech blocks for 31.7 s of speech.
- can be located in any slot from 6 to 13 (in any combination with other speech cards). The NT1X75 card must be slot 5.

The PEC suffix identifies announcements stored in the NT1X76 card. You cannot alter these announcements.

Figure 2-2
DRAM PROM card



NT1X77 RAM card

The NT1X77 RAM card provides 128-kbyte of volatile memory for onsite recording of customized announcements. The NT1X77 RAM card has the following characteristics:

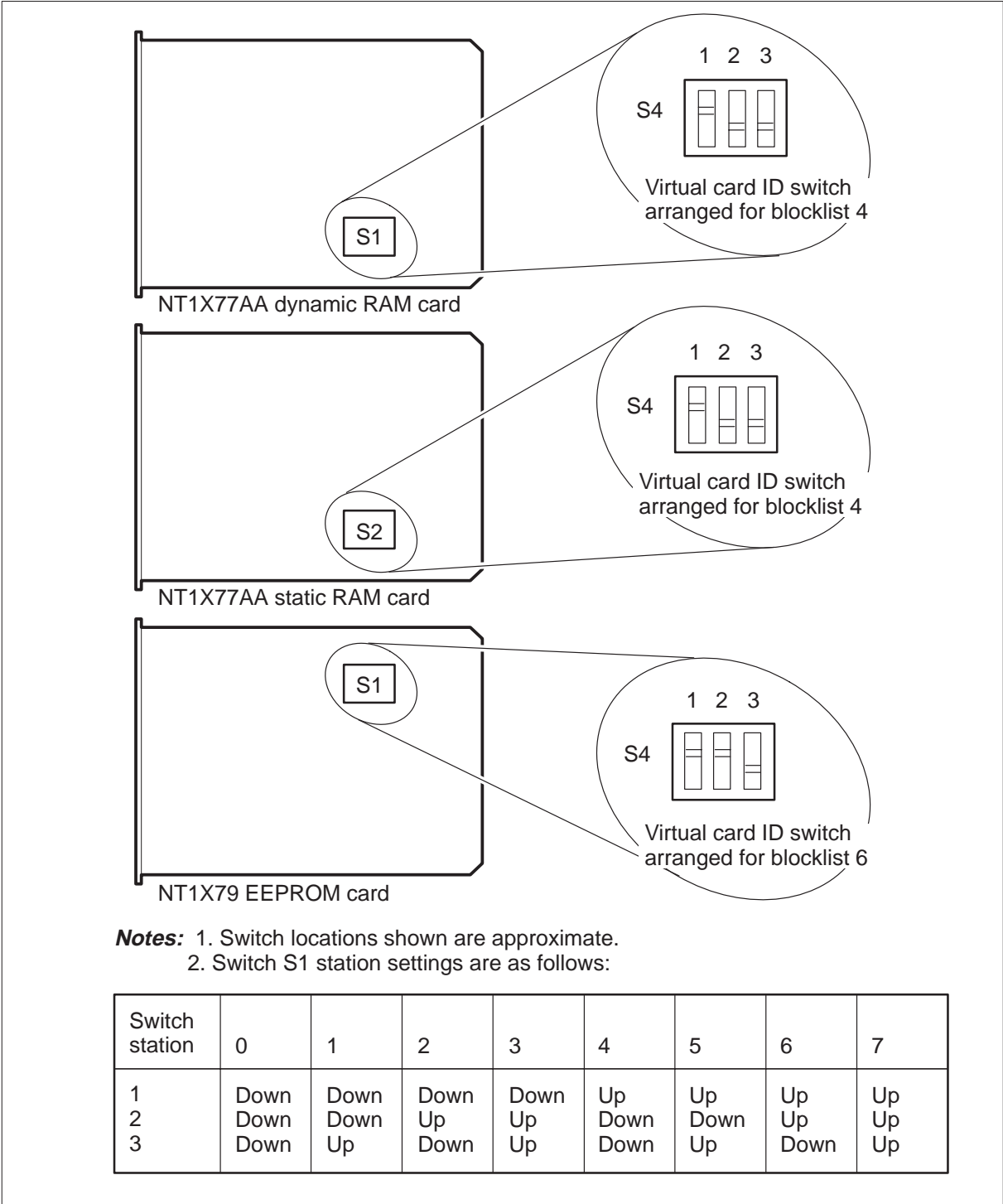
- all RAM is volatile and corruption or loss of speech memory can occur when you remove the RAM card or the associated controller (CTLR) card
- speech memory is single-density
- 31 s of speech-recording medium available in 1-s increments on each RAM card. You do not need to fill this card in order to use it.
- an announcement can run over two NT1X77 cards
- can be located in any slot from number 6 to 13 (in any combination with other speech cards). The NT1X75 card must be in slot 5.

NT1X79 EEPROM card

The NT1X79 EEPROM card provides 128-kbyte of nonvolatile memory for customized onsite recording. The NT1X79 EEPROM card has the following characteristics:

- 31 s of speech recording medium available in 1 s increments on each EEPROM card. You do not need to fill this card in order to use it.
- an announcement can run over two NT1X79AA cards associated with the same NT1X75 card. You cannot split an announcement over two controllers.
- EEPROM is nonvolatile. Corruption or loss of the speech records on the card does not occur when you remove the EEPROM or the associated NT1X75 card.
- EEPROM can be located in any slot from 6 to 13 (in any combination with other speech cards). The NT1X75 card must be in slot 5.

Figure 2-3
DRAM memory cards



Speech memory card

A speech memory card is subdivided into functional areas. The following table describes these areas.

Table 2-3
DRAM speech card area description

Functional area	Description
Virtual card	128-kbyte block, including 4 kbyte of menu and special tones and 31 s of recorded data.
Window	32-kbyte subsection of a virtual card. This is the largest memory section that the microprocessor control card can access.
Speech block	Consists of 128 bytes of recorded speech. This is 256 nibbles of ADPCM data or 32 ms of speech. Speech blocks that string together make speech. The number of speech blocks in the associated menu and submenu list can allocate the time of an announcement. The system stores speech blocks that form a given subphrase continuously in a variable length data area in speech memory.
Menu	The first two kbyte of virtual card reference the speech blocks to form speech. The second two kbyte of memory are tones and special information tones (SIT).
Submenu	The part of the menu where the system stores subphrase identifications (ID). A phrase menu entry indexes a submenu entry and defines the number of submenu entries to play in sequence. The submenu entry is the address of the subphrases and the number of subphrase repetitions. The submenu is a variable length table.

Figure 2-4
Example of DRAM shelf layout and card complement

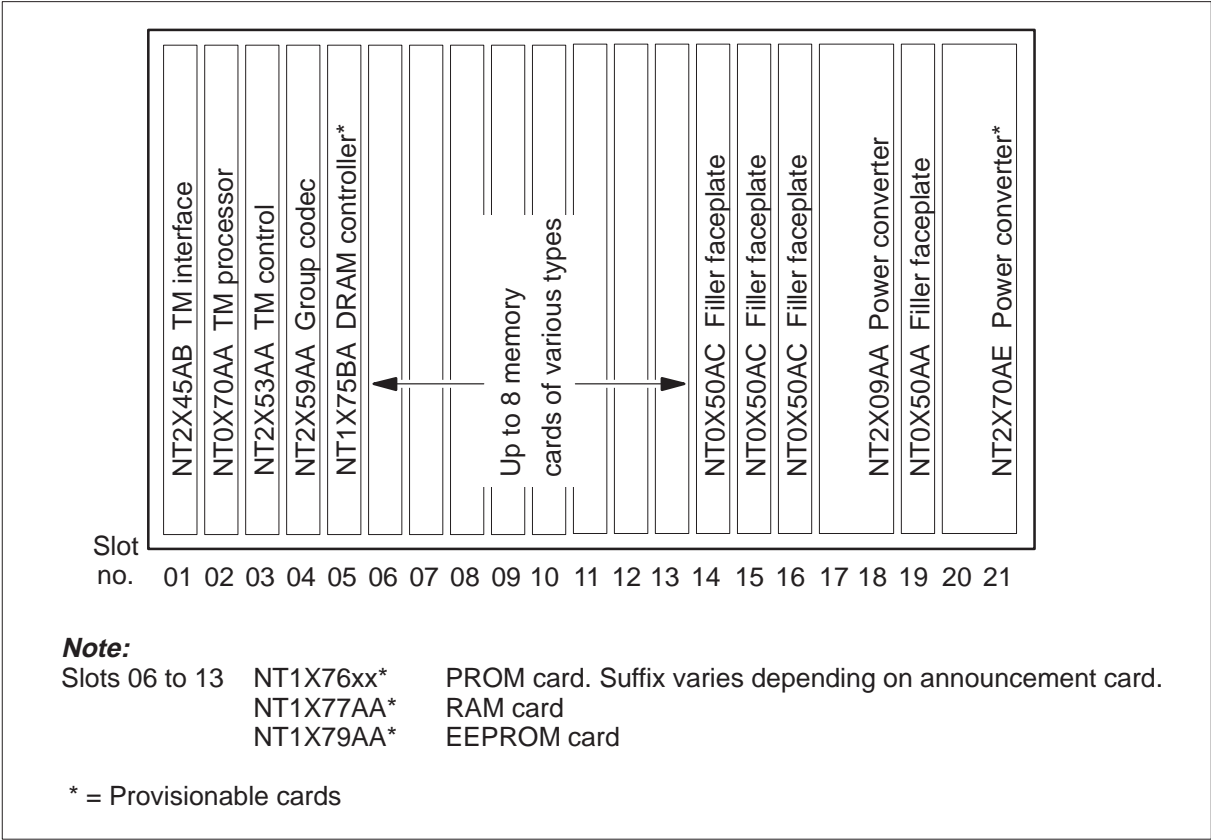
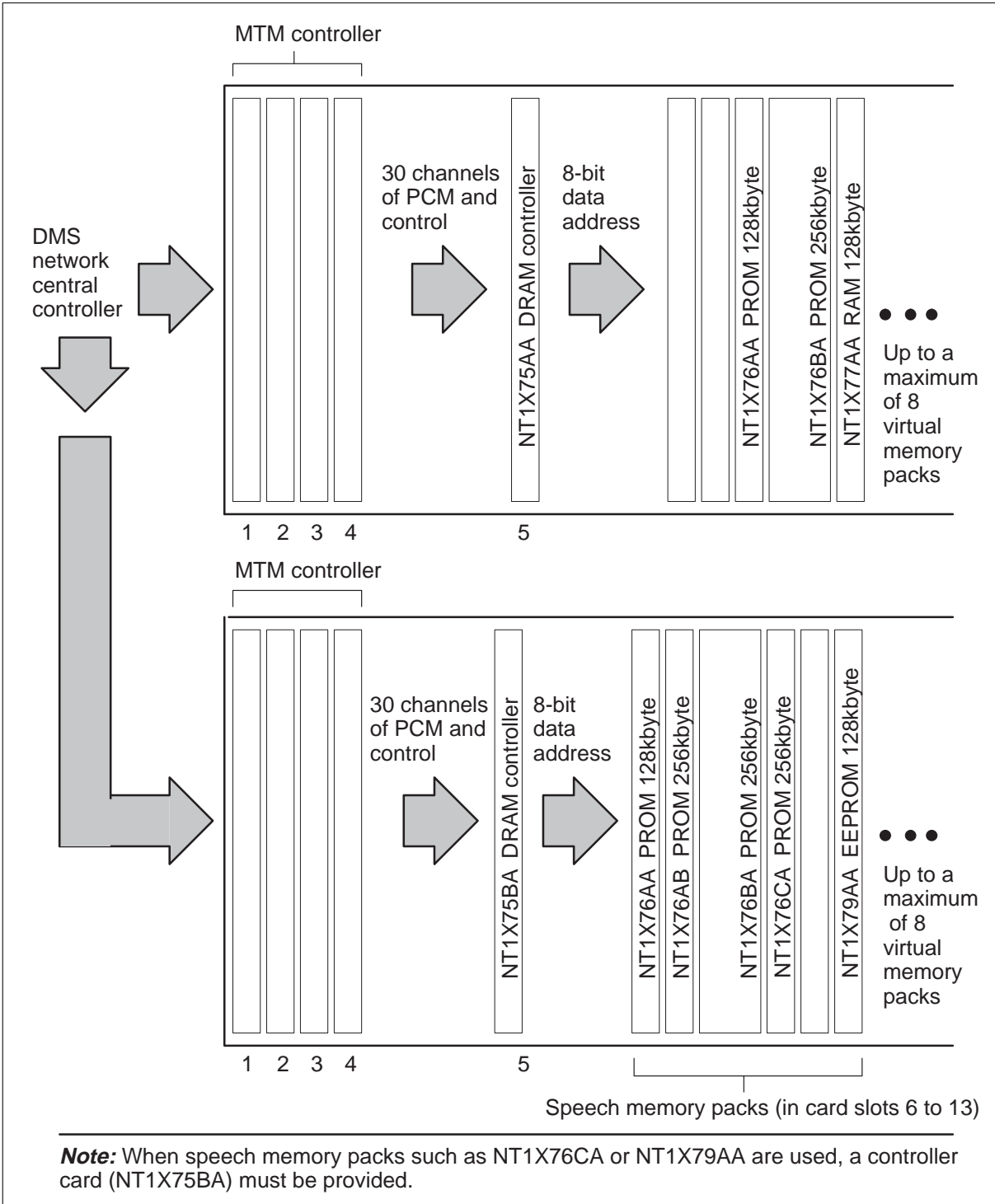


Figure 2-5
DRAM configuration



EDRAM components

A single-slot EDRAM card provides the capabilities of a fully configured DRAM shelf. The EDRAM is a stand-alone peripheral module (PM) with a DS30 link interface. The EDRAM plugs into one of the trunk slots of the maintenance trunk module (MTM) or service trunk module (STM). A DS30 cable connected to the backplane pins of the slot in which the EDRAM is provisioned connects the EDRAM directly to the network.

The EDRAM hardware integrates MTM and DRAM control and memory. Central-control PM loader software is based on current XMS peripheral module (XPM) utilities. These utilities permit you to use the message channel of the DS30 link on both network planes to download loadfiles from a tape or disk.

The following table lists the (two) types of EDRAM card.

Table 2-4
EDRAM hardware

Card name	Card PEC and suffix
EDRAM card (4-min EDRAM)	NT1X80AA
EDRAM16 card (16-min EDRAM)	NT1X80BA

The EDRAM16 card installation procedures appear in *EDRAM16 Installation Manual* (IM 35–5075).

Hardware restrictions

You can install the EDRAM card in slots 5 to 16 of the MTM shelf. Only the number of available slots restricts the maximum number of EDRAM packs allowed on the same MTM shelf.

Hardware dependencies

There are no hardware dependencies for the EDRAM.

Sparing information

To determine sparing requirements, use the mean time between failure (MTBF). The MTBF of the NT1X80AA and NT1X80BA EDRAM cards is 53 years at 40°C. As a general rule, every site should have a minimum of one spare card for each card type.

NT1X80AA EDRAM card

The NT1X80AA EDRAM card is a stand-alone PM that provides the capabilities of a completely provisioned DRAM shelf. The NT1X80AA card has the following characteristics:

- provides 29 channels and 4.3 min of announcement time
- holds a maximum of any eight single-density or 4 double-density announcement files
- is configured as a PM on the switch. The NT1X80AA card can be in any of 12 provisionable trunk slots in an MTM. The NT1X80AA has a direct DS30 link to the network.
- requires 9 W of power

A +5 V source powers the NT1X80AA card.

NT1X80BA EDRAM card

The NT1X80BA card has the same functionality as the NT1X80AA card. The NT1X80BA card has the following characteristics:

- provides 29 channels and 17.2 min of announcement time (four times the capacity of the NT1X80AA card)
- holds a maximum of any 32 single-density or 16 double-density announcement files
- is configured as a PM on the switch. The NT1X80BA card can be in any of 12 provisionable trunk slots in an MTM. The NT1X80BA has a direct DS30 link to the network.
- requires 5 W of power
- requires features AR1771 and AR1847

A +5 V or -48 V source can power the NT1X80BA card.

The NT1X80BA contains a DC to DC converter that receives its primary power from the -48V feed and converts the power to +5V. A second power source is the +5V that the shelf power converters (NT2X09 and NT2X70) supply. If the -48V feed is lost, the NT1X80 automatically switches to the +5V power converter feed.

Where traffic is not heavy, you can replace 2, 3, or 4 NT1X80AA cards with the NT1X80BA card.

Additional components

This section describes additional hardware for EDRAM, including DS30 links and cables.

EDRAM DS30 links

The EDRAM has its own pair of DS30 links to connect to both planes of the network module (NM). The EDRAM communicates with the central control/central message controller (CC/CMC) directly through the message channel of the DS30 link.

The DS30 cable for the EDRAM plugs directly into the pins at the back of the MTM/DRAM backplane. This cable plugs into the pins at the slot that corresponds to the position of the EDRAM. The other end of the cable terminates at the peripheral speech link (PSL) panel. The PSL panel is mounted on the speech link connecting (SLC) frame or at the enhanced network (ENET), depending on office requirements.

The direct link means that the EDRAM appears twice on the MAP display. The EDRAM appears as a PM because the EDRAM connects directly to the network. The EDRAM also appears as a trunk like the DRAM.

The following table lists cables used with EDRAM for offices configured with junctored networks (JNET) and ENET.

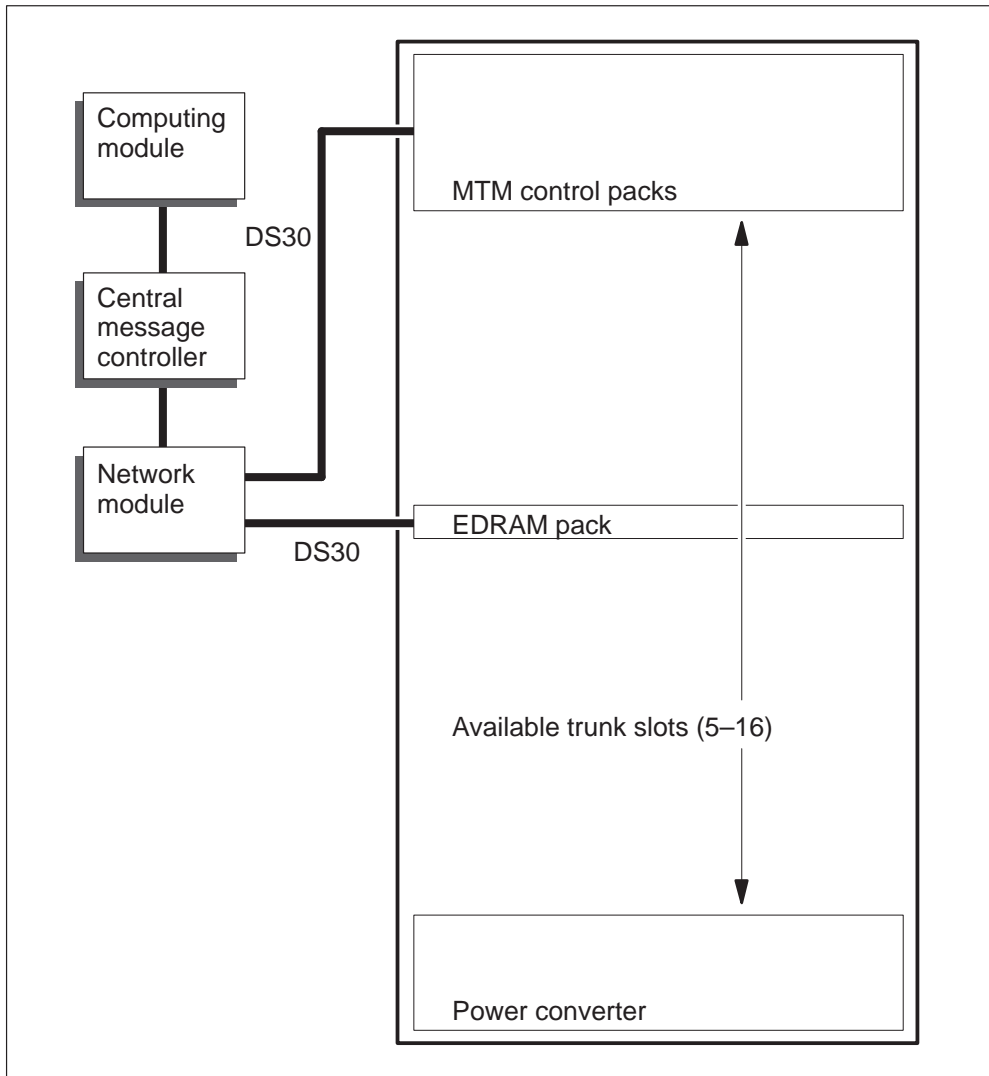
**Table 2-5
EDRAM cabling**

Office type	Card PEC and suffix
Shelf without flip plate	
JNET/ENET office without SLC	NT0X96DY
JNET/ENET office with speech link connecting frame (SLC)	NT0X96DX
JNET/ENET single pair cable	NT0X96LC
Shelf with flip plate	
with flip plate TIE point assembly with or without SLC	NT0X96CS
JNET/ENET office with SLC	NT0X96CT
—continued—	

Table 2-5
EDRAM cabling (continued)

Office type	Card PEC and suffix
JNET/ENET office without SLC	NT0X96EU
JNET/ENET single pair cable	NT0X96LC
—end—	

Figure 2-6
EDRAM system configuration



DRAM and EDRAM software

This chapter provides a description of the software used in the digital recorded announcement machine (DRAM) and the enhanced digital recorded announcement machine (EDRAM).

DRAM software

The software that operates the DRAM is provisioned. The operating company cannot change DRAM software. The operating company can use DRAM software to select different announcements and special call applications.

The DRAM diagnostics software monitors system faults.

Required software

Required software packages for DRAM depend on the applications for which the announcements are used. Standard announcements require Standard Announcements base software.

The following table lists the software packages required to operate the DRAM.

Table 3-1
DRAM base software

Functionality code	Name
BASE0001	Common Basic

Standard announcements

The system stores standard announcements in programmable read-only memory (PROM). *Hardware Description Manual Reference Manual* lists Announcement tables and announcement packages.

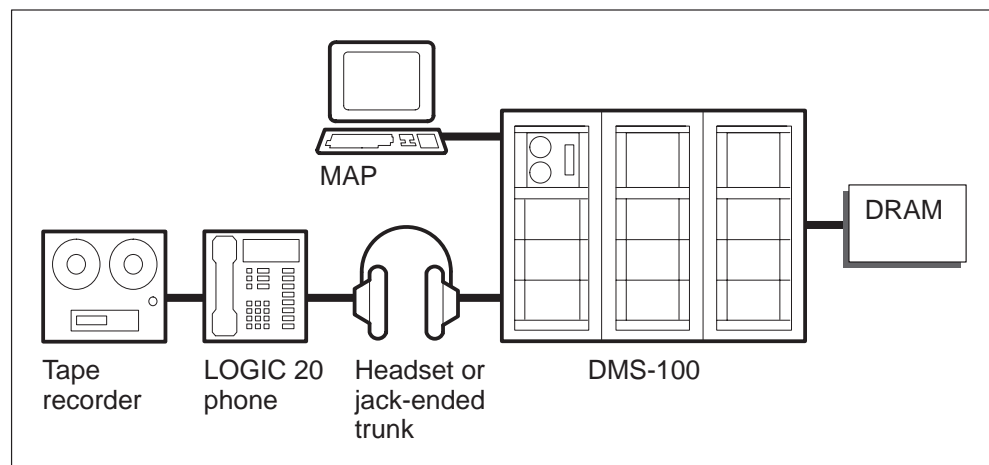
Customized announcements

It is not practical to permanently record every possible type of emergency announcement in PROM. The DRAM allows the operating company to use a telephone or cassette recorder located near the MAP terminal to record customized announcements. Operating company personnel can record announcements on random access memory (RAM) or electrically erasable PROM (EEPROM).

Additional memory cards provide additional recording capacity as required. Use the NT1X79 (Digital recorded announcement EEPROM) card for customized announcements so that the announcements are not lost during software upgrades.

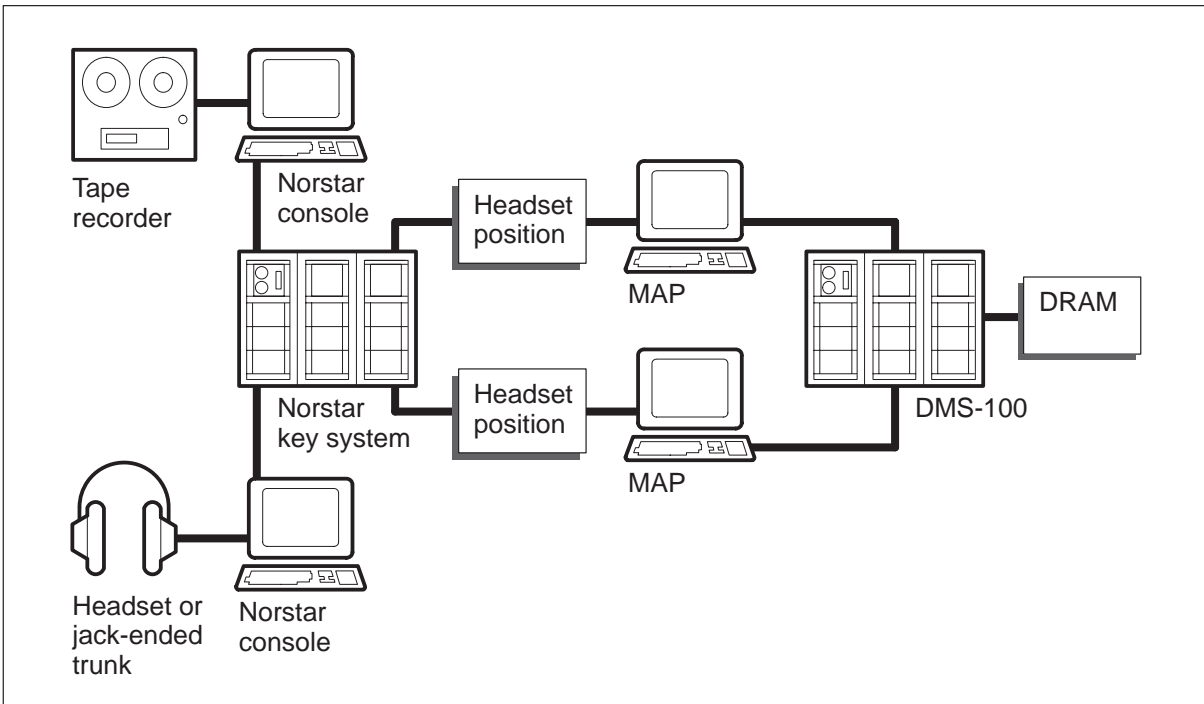
The following illustration shows the equipment configuration required for recording DRAM customized announcements.

Figure 3-1
Customized DRAM recording configuration



The following figure illustrates the equipment configuration required for recording DRAM customized announcements on the Norstar key system.

Figure 3-2
Recording a DRAM on the Norstar key system



EDRAM software

The EDRAM software features, contained in a single stand-alone card, are equivalent to all functionality provided the DRAM shelf. These features allow the operating company to select or change announcements to suit many possible call applications. EDRAM software features include the following:

- loader features
- maintenance trunk module (MTM) features
- digital recorded announcement features

Loader features

The loader downloads the EDRAM application firmware and specified announcement loads to EDRAM memory from the DMS tape or disk.

The loader manages announcement files. The type of EDRAM card installed determines which of the following you can load to a specified EDRAM:

- a maximum of eight single-density or four double-density announcement files (NT1X80AA)

- a maximum of 32 single-density or 16 double-density announcement files (NT1X80BA)

Each announcement file corresponds to a version of the NT1X76 card. The EDRAM announcements no longer need the NT1X76 DRAM EPROM product engineering code (PEC) to identify the announcements. The announcement files on the DMS tape replace the factory-recorded announcements of the NT1X76 DRAM EPROM. Download these announcement files to the EDRAM. You can change announcements at any time without retrofitting the DRAM EPROM cards that contain factory-recorded announcements.

Maintenance trunk module features

The EDRAM provides maintenance trunk module (MTM) features that do the following:

- load and execute peripheral module executable programs (PM EXECS)
- set up speech connections needed for call processing
- perform PM sanity functions like sending the “Who-am-I, I-am-here” message to the central control (CC)
- generate and check network integrity and parity
- perform CC instructions through CC-peripheral processor (PP) primitives execution, and handle command protocol violation checks
- perform PM load checksum tests

Digital recorded announcements features

The EDRAM provides digital recorded announcement features that do the following:

- record on-site announcements
- play announcements
- query configuration
- perform trunk-level diagnostics

Required software

The software package required for EDRAM depends on the applications for which the announcements are used. Standard announcements require BASE0001.

The software that operates the EDRAM is provisioned. The operating company cannot change EDRAM software. The operating company can use this software to select different announcements and special call applications.

The following table lists the software packages required to use the EDRAM.

Table 3-2
EDRAM base software

Functionality code	Name
BASE0001	Common Basic
TEL0001	EDRAM Loading and Maintenance

Software dependencies

The EDRAM software provides features that can require recorded announcements. Customized announcements serve the requirements of the operating company.

Spanish voice files are a feature of EDRAM. There are no equivalent announcements for the DRAM.

To reload the EDRAM, perform the procedure *Recording custom announcements on EDRAM* or *Reloading factory-produced voice files to EDRAM* in this document.

Standard announcements

Standard announcements are stored on tape and you can load these announcements to EEPROM. For lists of voice files and their contents, refer to appendix A ‘EDRAM voice file contents’ in this document. *Hardware Description Manual Reference Manual* lists announcement tables. For a list of the EDRAM voice files that replace DRAM NT1X76 announcements, refer to table 3-4 in this chapter.

EDRAM voice files

Voice files are announcements that you download from a tape, disk, or source. Voice files emulate the announcements on the DRAM NT1X76 cards and, like the NT1X77 cards, provide capacity for manual recordings.

Download EDRAM application firmware from the DMS-100 tape or disk drive to the program store segment of EDRAM on-board memory.

The announcement data is divided into sections that contain eight data files. Each file corresponds to one version of an NT1X76 card. Download these announcements from the DMS-100 tape or disk drive to the data store segment of the EDRAM card memory.

Download a new loadfile as required. You do not require a circuit upgrade to change announcements on the EDRAM.

3-6 DRAM and EDRAM software

Download the announcements before you place the EDRAM (different from DRAM) in service. In DRAM, factory-produced announcements reside on the NT1X76 PROM cards.

The EDRAM firmware load and a set of all the announcement load files reside on the DMS-100 PM load tape. These loads are released and updated with the normal software release schedule.

The following table lists the provisionable EDRAM voice files.

Table 3-3
Provisionable EDRAM voice files

Voice file	File name	Prerequisites
NTG301AA	EDRAM Voice Files: English Standard	TEL00001 - Enhanced DRAM
NTG302AA	EDRAM Voice Files: English CLASS/CMS	TEL00001 - Enhanced DRAM
NTG303AA	EDRAM Voice Files: French	TEL00001 - Enhanced DRAM
NTG304AA	EDRAM Voice Files: Spanish	TEL00001 - Enhanced DRAM
NTG305AA	EDRAM Voice Files: Superset for SLM 2 tape	TEL00001 - Enhanced DRAM, SuperNode SLM

The following table lists the EDRAM voice files that replace the hardware announcements on DRAM NT1X76 cards.

Table 3-4
EDRAM voice files

Voice file	Voice file size (kbyte)	Announcement title	Corresponding NT1X76 PEC suffixes
ESTD0AA	730	Standard Bell Announcements Canadian English	AA
ASTD0AA	950	Standard Bell Announcements American English	AB
ECLS10AJ, OAK	1248, 837	CLASS/CMS Phase 1 English	AJ, AK
EARDT0JA, OJB	1172, 1256	Automatic Recall Date and Time	JA, JB
—continued—			

Table 3-4
EDRAM voice files (continued)

Voice file	Voice file size (kbyte)	Announcement title	Corresponding NT1X76 PEC suffixes
ACMSLOGA, OGB, OGC	1172, 1256	CLASS/CMS U.S. List items 13 to 31	GA, GB, GC
EACTS0AE	1162	Automatic Coin Telephone Service (ACTS) English	AE
EA0SS0AF, AG	1295, 1164	Auxiliary Operator Services System (AOSS) English	AF, AG
EACCS0AH	1121	Automated Calling Card Service (ACSS) English	AH
EMCCS0CA	845	Mechanized Credit Card Service (MCCS) English	CA
ECFRAOAM	919	Call Forward Remote Activation (CFRA) English	AM
ECLS20AP, 0AQ, 0AR, 0AS, 0AT, 0AU, 0AV, 0AW	965, 1038, 1069, 1162, 1135, 1199, 1204, 1133	CLASS/CMS Phase 2 English	AP, AQ, AR, AS, AT, AU, AV, AW
ACMSC0GE	1030	CLASS/CMS Phase 2 U.S. Custom Announcements Type 1	GE
ACMSC0GF	1030	CLASS/CMS Phase 2 U.S. Custom Announcements Type 2	GF
ACMSC0GG	1074	CLASS/CMS Phase 2 U.S. Custom Announcements Type 3	GG
ACMSC0GH	1051	CLASS/CMS Phase 2 U.S. Custom Announcements Type 4	GH
ACMSC0GJ	1054	CLASS/CMS Phase 2 U.S. Custom Announcements Type 5	GJ
ACMSC0GK	1065	CLASS/CMS Phase 2 U.S. Custom Announcements Type 6	GK
ACMSC0GL	1033	CLASS/CMS Phase 2 U.S. Custom Announcements Type 7	GL
ACMSC0GM	1238	CLASS/CMS Phase 2 U.S. Custom Announcements Type 8	GM
FSTDOBA	785	Standard Bell Announcements Canadian French	BS
—continued—			

Table 3-4
EDRAM voice files (continued)

Voice file	Voice file size (kbyte)	Announcement title	Corresponding NT1X76 PEC suffixes
FA0SS0BF, 0BG	1257, 1180	Auxiliary Operator Services System (AOSS) French	BF, BG
FACCS0BH	1122	Automatic Calling Card Service (ACCS) French	BH
FCLS10BJ, 0BK	972, 832	CLASS/CMS Phase 1 French	BJ, BK
FCLS20BP, 0BQ, 0BR, 0BS, 0BT, 0BU, 0BV, 0BW	778, 678, 417, 1185, 1029, 1257, 1183, 1070	CLASS/CMS Phase 2 French	BR, BQ, BR, BS, BT, BU, BV, BW
—end—			

Note: Binary files are approximately half the size of voice files.

EDRAM voice file installation

You can load each EDRAM with different voice files. The voice file names entered in table EDRAMINV control voice files. You can load voice files directly into EDRAM from a tape but you should copy all voice files to disk first. Loading time increases when you load EDRAM from a tape. Loading time increases because it takes additional time to scan the tape to locate the specified file.

You must load voice files from a disk in the following instances:

- DMS SuperNode offices that have only system load module (SLM) tapes
- when the voice files intended for the same EDRAM are split over two tapes. For example, bilingual office announcements for AOSS, ACCS, Standard and CMS features.

Applications that depend on DRAM or EDRAM

This section describes the following applications that require DRAM or EDRAM:

- Automatic Calling Card Service announcements
- Auxiliary Operator Services System announcements
- Call Management Service or Custom Local Area Signaling Service announcements

- Calling Number announcements
- Deny Malicious Call Termination
- Mechanized Calling Card Service announcements
- Notification of Time and Charge
- Subscriber Activated Call Blocking announcements
- Tone feature (AQ1169)

Automatic Calling Card Service announcements

Automatic Calling Card Service (ACCS) announcements allow a subscriber to make a local or toll call and to charge the call to a calling card number. The operating company or the revenue accounting office provides a calling card number. The ACCS feature is like MCCS, which is available with CCIS 6 signaling.

The traffic operator position system (TOPS) ACCS announcement feature provides bilingual announcements for ACCS calls.

Auxiliary Operator Services System announcements

Auxiliary Operator Services System (AOSS) announcements are stored in PROM and consist of phrases that, when concatenated, form complete announcements. The system supports unilingual and bilingual announcements, because each DRAM or EDRAM unit has full availability of announcements in both languages.

The AOSS feature helps the operating company handle intercept and directory assistance call types.

Call Management Service or Custom Local Area Signaling Service announcements

Call Management Service (CMS), or Custom Local Area Signaling Service (CLASS), allows the subscriber to access announcements. These announcements inform the subscriber of previous calls, including the originating phone number of the call.

Calling Number Announcements

The Calling Number Announcement (CNA) feature (TEL00001) allows operating company maintenance personnel to:

- automatically verify service order and line transfer cross-connections
- identify cable pairs in the event of a cut cable

Maintenance personnel use the cable pair to dial a special number. The CNA feature, in conjunction with the DRAM or EDRAM, automatically announces the associated telephone number for the pair used.

The announcement can be broadcast in three ways. The parameter of field ANTYPE in table ANNS determines the broadcast method:

- over the line or pair being verified
- over a loudspeaker and the line or pair being verified
- over a loudspeaker only

Deny Malicious Call Termination

Deny Malicious Call Termination (DMCT) provides announcements for automatic call distribution (ACD) networks that operate on the following:

- lines within the same central office
- calls that originate on the Japan Public Network 7 (JPN7) ISDN user part (ISUP) trunks

The system can route callers to an announcement that indicates that the called number is not accepting their call.

The DMCT announcements occupy a 926-kbyte voice file named JPDMCT. For a summary of the DMCT announcements, refer to the *Translations Guide*.

Mechanized Calling Card Service announcements

In offices equipped with Mechanized Calling Card Service (MCCS), the following occurs when the subscriber dials an operator-handled call (for example, 0 + 7 or 10 digits):

- 1 An announcement asks the subscriber to dial a credit card number or a zero for an operator.
- 2 If the response to the request is a credit card number, the system completes the call.
- 3 If the system encounters a problem such as an invalid card number, predefined announcements assist in the completion of the call.

Notification of Time and Charge

The Notification of Time and Charge (NTC) service provides automatic notification of time and charge announcements from the DMS-100 over IBN ISUP trunks to the Japanese domestic market. The announcements in Japanese and English indicate the following:

- dialed destination digits
- duration of the original call

- charge amount for the call

Both the incoming trunk of the original call and the outgoing trunk of an NTC callback call must use NCCI7 protocol. These trunks can use version 1 or version 2 of NCCI7 protocol.

Subscriber Activated Call Blocking announcements

Subscriber Activated Call Blocking (SACB) allows subscribers to control originations from their lines. The SACB feature identifies call classes that restrict completion to given dialed numbers. The subscriber specifies restricted call classes during a service order session. The subscriber activates and deactivates the SACB feature with an access code. The subscriber can enter a personal identification number (PIN) to override the restriction and complete the call. The SACB announcements prompt the subscriber to activate this feature.

CS-R1 announcements

Capability Set 1 Revised (CS-1R) announcements are Intelligent Network (IN) custom announcements. Table DRMUSERS defines the phrases that are used as part of CS-1R announcements. CS-1R announcement phrases are either fixed or both fixed and variable. The DRAMREC utility takes the digits supplied by the SCP as its input and provides a list of phrases as output.

Tone feature

The Tone feature provides the capability to use the NT1X80 EDRAM card to replace the functionality of the NT1X00 card. The NT1X00 cards provide the receiver with the following:

- off-hook tone (NT1X00 with the AC or AD suffix)
- milliwatt tone for 102 test trunks (NT1X00 with the AA, AB, AE, AF, AG, AH, or KA suffix)

The “Understanding DRAM and EDRAM translations” chapter in this NTP describes data schema table dependencies for the Tone feature.

Software dependencies

The Tone feature requires the following:

- BASE05/TL04 or later computing module load
- for the NT1X80AA card, an EDRMAE01 or later EDRAM load plus the MWTTONE.AA01 tone file
- for the NT1X80BA card, an ED16AA01 or later EDRAM load plus the MWTTONE.AA01 tone file

Understanding DRAM and EDRAM planning and engineering

This chapter describes the digital recorded announcement machine (DRAM) and enhanced digital recorded announcement machine (EDRAM) hardware and software. The chapter also describes the basic functionality of the DRAM and EDRAM, and the process of digitizing announcements. This chapter provides descriptions that are more detailed than the descriptions in the chapter “Understanding the DRAM and EDRAM.”

The DRAM provides recorded announcements for the DMS-100 switch in three basic formats:

- read-only memory (ROM)
- random access memory (RAM)
- electrically erasable programmable read-only memory (EEPROM)

The DRAM consists of one controller card and a collection of speech memory cards. The DRAM can have a maximum of eight cards. All cards reside on a modified maintenance trunk module (MTM) shelf.

The EDRAM provides the same functionality as the DRAM in a single card on the MTM shelf.

Product functions

This section describes how DRAM and EDRAM announcements work.

Operational description

The basic unit of DRAM and EDRAM speech data is the phrase. For DRAM speech data already recorded, the phrases are defined on the programmable read-only memory (PROM) cards. The operating company defines the phrases on random access memory (RAM) cards. A given phrase can be a single word, a group of words, a complete sentence, or a group of sentences. The division of the speech data into phrases is based on how the system uses the speech data.

An announcement trunk (DS30 link) consists of a set of members (channels on the DS30 link). When the system routes a call to a specified announcement, central control (CC) selects a trunk member associated with that announcement. The system provides the subscriber with ringing tone until the DRAM or EDRAM is ready to send the required announcement. The system can connect up to 255 subscribers at the same time to a single channel. The number of subscribers connected depends on operating company requirements.

Table DRAMTRK defines the list of phrases that constitute each announcement track. The system chooses the first track from the list of the tracks for that trunk member. The first track is the prime language track for bilingual announcements.

Central control instructs the DRAM or EDRAM to play the list of phrases for the announcement track in sequence, on the correct channel. The instruction from CC occurs only if the DRAM or EDRAM is not already playing the list of phrases. After the system plays all phrases on the phrase list, the MTM or the EDRAM switches the subscriber to the next track on the track list. When the system uses all tracks on the track list, the system can repeat the track list. The data entry for the announcement in table ANNS determines whether the system repeats the track list.

Table DRAMTRK contains the phrases in each announcement track. Each phrase has a symbolic name. The symbolic names specify the phrases. The DRAM or EDRAM stores phrases. The DRAM or EDRAM recording facility sends the association between phrase names and speech data to the CC. The CC keeps track of the phrases in each announcement. A set of commands in the recording utility do the following:

- inform the system of the already recorded phrases in PROM
- record phrases in RAM

EDRAM operates the same way as the DRAM, except that the EDRAM requires an additional data table, table EDAMINV. The system downloads recorded speech data phrases for EDRAM as voice files to PROM card memory. Tables DRAMS and EDAMINV define these voice files.

For detailed instructions of data entry for the translations tables, refer to the *Translations Guide*.

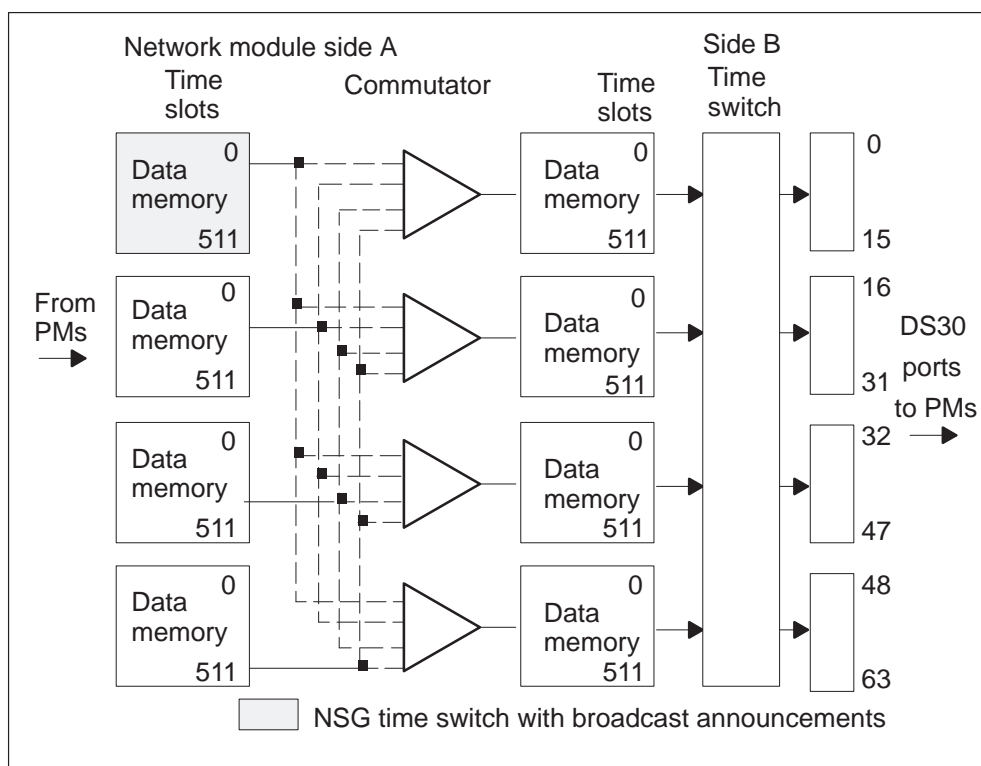
Broadcasting announcements

Broadcasting DRAM and EDRAM announcements allows a maximum of 255 connections to the same announcement at the same time. (Figure 4-1 illustrates broadcasting for DRAM and EDRAM.)

To broadcast an announcement, the system duplicates copies of the announcement speech samples in multiple connection locations during multiple network time slots. Networks that consist of 16-port network subgroups have time switches that use 512 time slots in the operation. The system uses these time slots for announcement traffic and for non-announcement traffic. When correctly provisioned, the network is nonblocking. These 512 time slots are the limiting factor for connections that occur in the network subgroups (NSG) at the same time.

The DRAM and EDRAM use one of the 16 ports in the network subgroup. The other 15 ports are available for non-announcement traffic. If the system requires more capacity to meet announcement traffic demand, you can deload (unassign) the 15 ports. This process makes more time slots available for announcement traffic.

Figure 4-1
DRAM and EDRAM broadcasting in the network



Maximum connections are the total of announcements in one DRAM or EDRAM. Table 4-1 lists the maximum connections for broadcast announcements. If the system exceeds these limits, the system can introduce contention for time slots and can cause network blocking. If the NSG traffic load to peripheral modules (PM) other than DRAM or EDRAM is light, the

following option is available. You can increase the maximum connections, and the increase does not always cause network blocking.

To avoid network obstruction, consider

- the expected hundred call seconds (CCS) that broadcast announcements use
- the other traffic load

Consider these loads when you engineer the networks, increase maximum connections, or plan to deload from NSG ports.

When you deload ports for networks other than the enhanced network (ENET), you must reconfigure the networks. For information on how to provision networks, and network capacity for broadcasting, refer to the *DMS Provisioning Manual*.

The ENET design limits the number of simultaneous connections to announcements to one DRAM or EDRAM. The maximum number of these connections is 7650 (30 announcements x 255 connections for each announcement). When you set up ENET, consider all network traffic to avoid network blocking. This network traffic includes the expected network use that simultaneous connections to announcements can generate, and non-announcement traffic.

Table 4-1
Maximum simultaneous connections settings to assure nonblocking NSG

Ports deloaded	Maximum non-announcement simultaneous connections	Maximum simultaneous connections for broadcast and non-broadcast announcements (total of all announcements)
0	450	62
1	420	92
2	390	122
3	360	152
—continued—		

Table 4-1
Maximum simultaneous connections settings to assure nonblocking NSG
 (continued)

Ports deloaded	Maximum non-announcement simultaneous connections	Maximum simultaneous connections for broadcast and non-broadcast announcements (total of all announcements)
4	330	182
5	300	212
6	270	242
7	240	272
8	210	302
9	180	332
10	150	362
11	120	392
12	90	422
13	60	452
14	30	482
15	0	512
—end—		

Note 1: Table 4-1 applies only to a 16-port JNET network (NT5X13).

Note 2: Maximum non-announcement simultaneous connections derive from the result of the following calculation:
Multiply the number of ports that serve non-announcement traffic by the number of speech channels. For example, with no ports deloaded, 15 ports are available for non-announcement traffic. The 16th port has the DRAM on the port. $15 \times 30 = 450$ possible connections. The 450 time slots required for the non-announcement traffic are subtracted from the 512 time slots available, leaving 62 time slots available for announcement traffic. If 15 ports are deloaded, all 512 time slots are available to assign to announcements. The limit for total simultaneous connections for all announcements in one DRAM is 512. The system sends the 513th request to treatment (for example, 120 IPM tone).

Broadcasting capacities

The following list describes the maximum number of connections (table ANNS) that can connect to one announcement (as specified in table DRMTRK).

Note: One announcement takes one maintenance trunk module (MTM) time slot or EDRAM trunk.

- A maximum of 255 simultaneous connections can connect to one announcement recorded on the DRAM or EDRAM.
- A maximum of 255 table control connections can connect for each announcement.
- A deloaded 8-port network subgroup (for example, the NT0X48 network) has a maximum of 256 simultaneous connections (total of all announcements).
- A deloaded 16-port network subgroup (for example, the NT5X13 or NT8X11 network) has a maximum of 512 simultaneous connections (total of all announcements).
- ENET has a limit of 7650 simultaneous connections to announcements for each DRAM or EDRAM (30 X 255).

Simultaneous connections (table ANNS) can connect for Auxiliary Operator Services System (AOSS) and Automatic Calling Card Service (ACCS) announcements (specified in table DRMUSER). The maximum number of these connections that require one channel each is 30 connections for each MTM shelf or EDRAM card.

Speech storage techniques

The following information provides an summary of the arrangement of DRAM and EDRAM digitized announcements.

Reduction of storage requirements

There are three reduction techniques that provide better DRAM and EDRAM use:

- concatenating (linking together) subphrases
- generating pauses artificially
- encoding speech with a bit-efficient algorithm

Concatenation of subphrases

Some phrases have common use. These phrases include “We’re sorry” and “This is a recording.” The system stores these phrases once and shares the phrases with several announcements. Standard announcements consist of the concatenation (linking) of announcement segments. These announcement segments are from the pool of subphrases stored in one or more blocks of RAM.

A second memory (fixed or software-programmable) contains a list that points to blocks for each different announcement text. These blocks form the text in sequence. To read or decode this information to produce an announcement, the system scans the control memory. This scan indirectly addresses the text element store.

Artificial generation of pauses

The system does not have to store silent periods or pauses. The system can create the pauses by inserting or generating blocks of silence for the required periods. The control memory determines the required periods.

Bit-efficient algorithm

The system uses adaptive differential pulse coded modulation (ADPCM) in DRAM to encode speech for storage in memory. This method is memory-efficient. The method uses 4-bit speech samples taken at an 8-kHz rate. These numbers represent a storage saving of 50% over the 64-kbyte packaged core memory (PCM).

Speech Memory Organization

The system arranges speech recorded in DRAM and EDRAM in tables, with three levels of table search:

- phrase menu (fixed size table)
- subphrase menu (variable size table)
- speech (variable size table)

The standard memory card capacity is 128 kbyte, and the DRAM controller can address a maximum of eight of these cards. The memory is self-contained within this basic 128-kbyte block.

A voice message consists of one or more phrases. Each of these phrases consists of 1 to 255 subphrases. The phrase menu points to a subphrase menu. The subphrase menu points to one or more subphrases. These subphrases join to form an announcement that ends with a subphrase of silence.

Subphrases are stored in sequence in variable length data blocks. Each subphrase consists of 1 to 255 speech blocks. The system can repeat each speech block up to 255 times.

Speech blocks consist of 255 ADPCM-coded samples that the system stores in sequence in 128-byte blocks. Every block contains approximately 32 ms of speech.

DRAM special information tones

The system stores special information tones (sit) in digital format on the following cards and formats:

- NT1X76, in programmable read-only memory (PROM)
- NT1X77, in random-access memory (RAM)
- NT1X79, in erasable read-only memory (EEPROM)

DRAM sit tones use mu-law coding only.

Table 4-2 defines sit tones. For information on correcting sit tone trouble, refer to *Trouble Locating and Clearing Procedures*.

Table 4-2
Sit definitions

Phrase number		Phrase name	Sit components		
Hex	Dec		First tone	Second tone	Third tone
8	8	Sit 1	I-S	I-S	I-S
9	9	Sit 2	I-S	I-S	I-L
A	10	Sit 3	I-S	I-L	I-S
—continued—					

Table 4-2
Sit definitions (continued)

Phrase number		Phrase name	Sit components																																					
Hex	Dec		First tone	Second tone	Third tone																																			
B	11	Sit 4	l-S	l-L	l-L																																			
C	12	Sit 5	l-S	h-S	l-S																																			
D	13	Sit 6	l-S	h-S	l-L																																			
E	14	Sit 7	l-S	h-S	l-S																																			
F	15	Sit 8	l-S	h-L	l-L																																			
10	16	Sit 9	l_L	l-S	l-S																																			
11	17	Sit 10	l-L	l-S	l-L																																			
12	18	Sit 11	l-L	l-L	l-S																																			
13	19	Sit 12	l-L	l-L	l-L																																			
14	20	Sit 13	l-L	h-S	l-S																																			
15	21	Sit 14	l-L	h-S	l-L																																			
16	22	Sit 15	l-L	h-L	l-S																																			
17	23	Sit 16	l-L	h-L	l-L																																			
<p>Note 1: Phrase number can be in hexadecimal (HEX) or decimal (DEC).</p> <p>Note 2: Phrase names must be used verbatim.</p> <p>Note 3: Sit components are measured in frequencies, amplitude, and duration.</p> <table border="0"> <tr> <td></td> <td>Frequencies (Hz)</td> <td>First tone</td> <td>Second tone</td> <td>Third tone</td> </tr> <tr> <td></td> <td>low (l)</td> <td>913.8</td> <td>1370.6</td> <td>1776.7</td> </tr> <tr> <td></td> <td>high (h)</td> <td>985.2</td> <td>1428.5</td> <td>NA</td> </tr> <tr> <td>DRAM</td> <td>Amplitude = -13DBm</td> <td></td> <td></td> <td></td> </tr> <tr> <td></td> <td>Duration (ms)</td> <td>short (S) = 288</td> <td></td> <td>long (L) = 384</td> </tr> <tr> <td>EDRAM</td> <td>Amplitude = -13DBm (A-law), -24DBm (mu-law)</td> <td></td> <td></td> <td></td> </tr> <tr> <td></td> <td>Duration (ms)</td> <td>short (S) = 274</td> <td></td> <td>long (L) = 380</td> </tr> </table>							Frequencies (Hz)	First tone	Second tone	Third tone		low (l)	913.8	1370.6	1776.7		high (h)	985.2	1428.5	NA	DRAM	Amplitude = -13DBm					Duration (ms)	short (S) = 288		long (L) = 384	EDRAM	Amplitude = -13DBm (A-law), -24DBm (mu-law)					Duration (ms)	short (S) = 274		long (L) = 380
	Frequencies (Hz)	First tone	Second tone	Third tone																																				
	low (l)	913.8	1370.6	1776.7																																				
	high (h)	985.2	1428.5	NA																																				
DRAM	Amplitude = -13DBm																																							
	Duration (ms)	short (S) = 288		long (L) = 384																																				
EDRAM	Amplitude = -13DBm (A-law), -24DBm (mu-law)																																							
	Duration (ms)	short (S) = 274		long (L) = 380																																				
—continued—																																								

Table 4-2
Sit definitions (continued)

Phrase number		Phrase name	Sit components																																					
Hex	Dec		First tone	Second tone	Third tone																																			
18	24	Sit 17	h-S	I-S	I-S																																			
19	25	Sit 18	h-S	I-S	I-L																																			
1A	26	Sit 19	h-S	I-L	I-S																																			
1B	27	Sit 20	h-S	I-L	I-L																																			
1C	28	Sit 21	h-S	h-S	I-S																																			
1D	29	Sit 22	h-S	h-S	I-L																																			
1E	30	Sit 23	h-S	h-L	I-S																																			
1F	31	Sit 24	h-S	h-L	I-L																																			
20	32	Sit 25	h-L	I-S	I-S																																			
21	33	Sit 26	h-L	I-S	I-L																																			
22	34	Sit 27	h-L	I-L	I-S																																			
23	35	Sit 28	h-L	I-L	I-L																																			
24	36	Sit 29	h-L	h-S	I-L																																			
<p>Note 1: Phrase number can be in hexadecimal (HEX) or decimal (DEC).</p> <p>Note 2: Phrase names must be used verbatim.</p> <p>Note 3: Sit components are measured in frequencies, amplitude, and duration.</p> <table border="0"> <tr> <td></td> <td>Frequencies (Hz)</td> <td>First tone</td> <td>Second tone</td> <td>Third tone</td> </tr> <tr> <td></td> <td>low (l)</td> <td>913.8</td> <td>1370.6</td> <td>1776.7</td> </tr> <tr> <td></td> <td>high (h)</td> <td>985.2</td> <td>1428.5</td> <td>NA</td> </tr> <tr> <td>DRAM</td> <td>Amplitude = -13DBm</td> <td></td> <td></td> <td></td> </tr> <tr> <td></td> <td>Duration (ms)</td> <td>short (S) = 288</td> <td></td> <td>long (L) = 384</td> </tr> <tr> <td>EDRAM</td> <td>Amplitude = -13DBm (A-law), -24DBm (mu-law)</td> <td></td> <td></td> <td></td> </tr> <tr> <td></td> <td>Duration (ms)</td> <td>short (S) = 274</td> <td></td> <td>long (L) = 380</td> </tr> </table>							Frequencies (Hz)	First tone	Second tone	Third tone		low (l)	913.8	1370.6	1776.7		high (h)	985.2	1428.5	NA	DRAM	Amplitude = -13DBm					Duration (ms)	short (S) = 288		long (L) = 384	EDRAM	Amplitude = -13DBm (A-law), -24DBm (mu-law)					Duration (ms)	short (S) = 274		long (L) = 380
	Frequencies (Hz)	First tone	Second tone	Third tone																																				
	low (l)	913.8	1370.6	1776.7																																				
	high (h)	985.2	1428.5	NA																																				
DRAM	Amplitude = -13DBm																																							
	Duration (ms)	short (S) = 288		long (L) = 384																																				
EDRAM	Amplitude = -13DBm (A-law), -24DBm (mu-law)																																							
	Duration (ms)	short (S) = 274		long (L) = 380																																				
—continued—																																								

Table 4-2
Sit definitions (continued)

Phrase number		Phrase name	Sit components														
Hex	Dec		First tone	Second tone	Third tone												
25	37	Sit 30	h-L	h-S	I-L												
26	38	Sit 31	h-L	h-L	I-S												
27	39	Sit 32	h-L	h-L	I-L												
<p>Note 1: Phrase number can be in hexadecimal (HEX) or decimal (DEC).</p> <p>Note 2: Phrase names must be used verbatim.</p> <p>Note 3: Sit components are measured in frequencies, amplitude, and duration.</p> <table border="0"> <tr> <td>Frequencies (Hz)</td> <td>First tone</td> <td>Second tone</td> <td>Third tone</td> </tr> <tr> <td>low (l)</td> <td>913.8</td> <td>1370.6</td> <td>1776.7</td> </tr> <tr> <td>high (h)</td> <td>985.2</td> <td>1428.5</td> <td>NA</td> </tr> </table> <p>DRAM</p> <p>Amplitude = -13DBm</p> <p>Duration (ms) short (S) = 288 long (L) = 384</p> <p>EDRAM</p> <p>Amplitude = -13DBm (A-law), -24DBm (mu-law)</p> <p>Duration (ms) short (S) = 274 long (L) = 380</p>						Frequencies (Hz)	First tone	Second tone	Third tone	low (l)	913.8	1370.6	1776.7	high (h)	985.2	1428.5	NA
Frequencies (Hz)	First tone	Second tone	Third tone														
low (l)	913.8	1370.6	1776.7														
high (h)	985.2	1428.5	NA														
—end—																	

EDRAM special information tones

The system stores EDRAM sit in voice files (ESTD0AA, ASTD0AB, FSTD0BA, EMCCS0CA). The SITLOAD function downloads the voice files to the RAM announcement memory block of the EDRAM. The EDRAM sit tones use the same coding design and tone frequencies as the DRAM sit tones. The EDRAM sit tones have different amplitudes and tone duration times than the DRAM sit tones. To set EDRAM sit tones to mu-law or A-law coding, enter the correct data in field PM_PCM_PROTOCOL_SELECTION of table OFCENG.

DRAM architecture

The DRAM consists of four or more cards located in a MTM shelf of a DMS-100 cabinet or frame.

DRAM configuration

Every switch installation must have a minimum of two DRAMs. Customized announcements are an exception because the operating company makes these announcements as required.

For additional information about DRAM architecture, refer to Figure 2-5 in the chapter titled “DRAM and EDRAM hardware”.

Physical provisioning information

For a layout of the cards that constitute the DRAM, refer to Figure 2-4 in the chapter titled “DRAM and EDRAM hardware”.

EDRAM architecture

EDRAM hardware and software architecture is compatible with current DRAM (MTM) shelf diagnostics. The system-view and user interface of the EDRAM and the DRAM are approximately the same.

EDRAM configuration

The EDRAM is a stand-alone PM with a DS30 link interface for the EDRAM. The EDRAM plugs into a trunk slot of the MTM or service trunk module (STM) with the DS30 cable. The DS30 cable connects directly to the backplane pins of the associated slot.

For a diagram of the EDRAM configuration, refer to Figure 2-6 in the chapter titled “DRAM and EDRAM hardware”.

Physical provisioning information

The EDRAM card can be provisioned into slots 5 to 16 on the DRAM (MTM) shelf.

Maintenance impact of DRAM and EDRAM hardware and software

Analysis of a switching system is based on maintenance and traffic indicators. These indicators denote the state of the system and help to identify current or potential service problems.

The DMS-100 system can assist the analysis of the service grade provided and of DRAM and EDRAM performance. The DMS-100 system provides a large set of measurements. Operational measurements associated with the provision process and administration can help to determine if the system has enough software and hardware resources.

For additional information on operational measurements and performance factors, refer to the following chapters. Refer to the chapters titled “Using OMs to evaluate DRAM and EDRAM performance” and “Evaluating DRAM and EDRAM performance factors”.

Maintenance measurements and log reports provide data that help to evaluate EDRAM performance and the impact on system performance.

The EDRAM differs from the DRAM because the EDRAM possesses the characteristics of a PM and a trunk in one circuit pack. You can execute diagnostic and self-tests manually from the PM or TTP levels of the MAP display. The system supports the in-service and out-of-service tests. The system displays results of tests at the MAP terminal. The system details the results in system log reports. The MAPCI commands for EDRAM are the same as the MAPCI commands for DRAM. Maintenance tasks at the PM and TTP level use the same approach as standard maintenance procedures. The system posts the EDRAM as a digital trunk module (DTM) at the PM level.

For additional information in this document, refer to the maintenance section in the chapter titled “Finding DRAM and EDRAM information”.

For detailed information on DRAM and EDRAM maintenance, refer to the *Peripheral Module Maintenance Guide*.

Determining service requirements for DRAM and EDRAM

This chapter outlines provisioning information for the digital recorded announcement machine (DRAM) and the enhanced digital recorded announcement machine (EDRAM).

Grade-of-service requirements

To correctly set up DRAM and EDRAM, the operating company must establish the grade-of-service requirements. The operating company applies the grade-of-service requirements in the engineering calculations.

Memory considerations

The DRAM and EDRAM do not affect the data store or program store. The DRAM and EDRAM do not pose any real-time considerations.

Firmware requirements

Software resident in the DRAM and EDRAM operating system can be divided into three classes:

- software resident in read-only memory (ROM) that satisfies the standard definition of firmware
- software the user loads into random access memory (RAM) when the peripheral module (PM) is put into service
- software that consists of executable programs. The executable programs are resident subprograms made up of basic instructions

Data store and program store impact

The DRAM and EDRAM do not have an impact on data store. Refer to the *Feature Description Manual* for more information on exact considerations.

Traffic considerations

The DRAM and EDRAM do not have an effect on system traffic.

Traffic tables

Refer to *DMS Provisioning Manual* for DRAM and EDRAM traffic tables.

Messaging and throughput

Loading and maintaining the DRAM or EDRAM does not create any real-time limits associated with messaging.

Overload and flow controls

There are no overflow controls that affect the DRAM and EDRAM.

Ordering DRAM and EDRAM

This chapter provides information about the tools available to order digital recorded announcement machine (DRAM) or enhanced digital recorded announcement machine (EDRAM) products.

Order capture tools

The following section describes the tools available to the operating company to formulate a procedure to track and administer a DMS-100 Family switch. Formulating such a procedure:

- increases the operating company's knowledge
- increases the ability to supply memory in DMS-100 Family switches equipped with a NT40 central control or DMS SuperNode
- helps in planning the change from NT40 to DMS SuperNode

Using NT-ACCESS

The NT-ACCESS is an automated tool that supplies the components of the DMS-100 Family of switches. Order capture questionnaires for host, remote, or Dynamic Network Controller (DNC) products are in *NT-Access User Documentation, Volume 2, NTACCESSV2*. These questionnaires allow the NT-ACCESS programs to supply the proper feature packages to meet the requirements of the office configuration.

The NT-ACCESS uses customer input to generate a supplied equipment list. The list is electronically transferred to Nortel (Northern Telecom) to place an order.

Operating company personnel review the equipment list and generate a planning price information message. When the order is ready, the information is electronically transferred to Nortel for confirmation and firm price information.

In addition to engineering first office installations NT-ACCESS records, supplies and prices changes to original parameters. The NT-ACCESS also retrieves job information at any time for office expansions.

NT-ACCESS features

The NT-ACCESS offers the following features:

- electronic ordering capability
- accurate provisioning for first installations and expansions
- forward product views for planning
- accurate pricing, based on holding company contracts
- control of office parameters for optional configuration and expansion
- ability to change order requirements, determine office impact and automatically transfer change requests to NT
- retrieval of current office data for expansion provisioning
- memory predictions through six future BCS levels using the integrated MEMCALC program
- office analysis and capacity reports used by operating company traffic and network design engineering groups
- questionnaire input reduction through standard and custom masking
- calculation and electronic entry of the office parameter questionnaire
- tracking of jobs for information maintenance and job sharing
- printing and downloading reports
- ability to do multiple tasks without batch processing
- product and system information through news bulletins
- access to the technical information library (TIL) that contains summary information on common technical questions
- facility to view, print, and track reported system troubles
- ability to download questionnaires and job files to a PC
- ability to change logon passwords

NT-ACCESS components and subsystems

The NT-ACCESS has several components and can access several subsystems. The following table illustrates the primary components and subsystems of NT-ACCESS.

Table 6-1
NT-ACCESS components and subsystems

NT-ACCESS menu item	Subsystem or part
DMS-100F provisioning	PAQS100
DMS-100F pricing	NT-PRISM
Creating a custom mask	part of NT-ACCESS
Job maintenance	ARKIVE and current jobs
Memory calculation	MEMCALC
Job tracking	part of NT-ACCESS
PC interface	part of NT-ACCESS
Technical information library	part of NT-ACCESS
Office PARMS	office PARMS module
Batch processing	PAQS100 and NT-PRISM (UNIX environment)
News bulletins	part of NT-ACCESS
Automated trouble log	part of NT-ACCESS
Billing/account maintenance	part of NT-ACCESS

Each submodule or integrated part of NT-ACCESS is an item on the main menu. Each item from the main menu leads to secondary menus that function as guides through required tasks.

Menus change with each new release of the NT-ACCESS software. As changes occur, updated documentation is available.

Using NT86xx series questionnaires

The NT86xx series questionnaires help determine what an operating company needs in a DMS-100 Family switch. The requirements of the operating company are based on present and projected traffic in an office. The questionnaires determine the provisioning requirements for a new DMS switch or an upgrade. The questionnaires cover the profile of the operating office and are used to plan future needs.

Planning DRAM and EDRAM expansion

This chapter provides information on adding digital recorded announcement machine (DRAM) and enhanced digital recorded announcement machine (EDRAM) products to an office.

Guidelines for expansion

Operating company engineers project office requirements of lines, trunks and features through an engineering period, based on forecast growth. The engineering period is normally two to three years following an in-service date.

Operating company and Nortel (Northern Telecom) engineers provision memory required for DMS-100 Family switches based on operating company forecasts. In the MEMCALC program, future BCS requirements are based on the NT forecast of the memory these BCSs require.

After the cutover of a new switch or a major addition to a current switch, the operating company must use existing switch parameters to run MEMCALC. The MEMCALC questionnaire references the necessary switch data to run the tool.

Adding hardware

To calculate memory requirements, use the wired capacities of all lines, trunks and input/output (I/O) ports. Note that card-equipped I/O ports are considered as wired.

Adding software

Data on memory use must be gathered from the switch to track the accuracy of the operating company and MEMCALC forecasts. The operating company can monitor memory use monthly during the office busy hour. The operating company can plot and track this correct memory use against MEMCALC. The slope of memory use should parallel and not exceed MEMCALC.

Exhaust level plans and forecasts

After installing the DRAM or EDRAM, the operating company must track the effect of call processing activity on available system resources. The operating company can use operational measurement (OM) data to determine the system resources that are affected. Refer to the chapter titled “Understanding DRAM and EDRAM administration” for more information about tracking DRAM and EDRAM effect on system resources.

Understanding DRAM and EDRAM administration

This chapter provides a summary of digital recorded announcement machine (DRAM) and enhanced digital recorded announcement machine (EDRAM) administration. This chapter also provides a summary of the procedures to monitor the DRAM or EDRAM's continuing performance.

Defining administration functions

Administrators monitor the performance of the DRAM and EDRAM. The administrators monitor:

- the availability of the announcements
- the suitability of the announcements
- the quality of the announcements
- the system's busy hour capacity
- the patterns of usage growth

An administrator provides performance information to the engineering and maintenance groups. The administrator directs the switch to collect selected data through the operational measurement (OM) registers. The administrator determines the collection periods. A recording device like a printer or mechanized collection system also records the register output. An example of a mechanized collection system is the engineering and data acquisition system (EADAS).

Check the announcements daily to make sure the announcements are accessible and clear. Checking daily can detect and correct problems, and can increase subscriber satisfaction. Use the work sheets in chapter 11 to compare the collected data to the established service baselines. Make the required adjustments.

System resources

The operating company establishes the level of service performance for the accessibility of announcements on the DRAM and EDRAM. The operating

company also establishes levels of quality for clear and acceptable announcements.

Accessibility of announcements

The DRAM and EDRAM are engineered components of the DMS-100 Family switch. In most switches, one DRAM or EDRAM serves the normal announcement requirements. When you use DRAM, a second DRAM increases reliability.

Usage measurements monitor use of the DRAM or EDRAM. These measurements also peg counts to record the number of attempts to connect an announcement.

Note: Set the MAXIMUM CONTIG field of the DRAMREC utility to the current maximum usage level, not the maximum (255) setting. Use of the maximum setting can lead to usage measurements that are not correct. If the maximum setting (255) is necessary, deload switch network ports to avoid loss of traffic.

Component failures and system faults

The DRAM or EDRAM can have a fault for the following reasons:

- wrong datafill
- degradation of a memory card.
- a communication failure between the DRAM or EDRAM and a data terminal

If a hardware fault is present in the EDRAM, replace the pack without additional in-service troubleshooting. If checksum faults in the downloadable software or the announcement data of the EDRAM occur, you can reload the EDRAM.

For detailed information on correcting DRAM and EDRAM failures or faults, refer to *Peripheral Module Maintenance Guide*.

Monitoring card use

Use the DRAMREC and DISPLAY commands to determine the amount of space used and available (total is 31 s) on electrically erasable programmable read-only memory (EEPROM) and random access memory (RAM) cards. These commands are available at the CI level of the MAP display.

An example of a MAP sequence to view card 3 in DRAM 0 follows.

Note: The information that follows also applies to EDRAM. For EDRAM, the display shows a page and not a card.

Monitoring DRAM card use			
CI =			
DRAMREC			
DRAM =			
DISPLAY 0 3			
CARD 3	EEPROM	SPACE = MAX CONTIG 6	TOTAL 9
PHRASE_EXT		PHRASE_INT	LENGTH
<hr/>			
(phrase name)		12	14
(phrase name)		16	7
(phrase name)		13	1

Note: Access the DRAMREC command utility before you use MAP commands for the DRAM or EDRAM. For additional information on the DRAM and EDRAM commands, refer to *DMS-100 Family Commands Reference Manual*.

The following table provides more information on DRAMREC commands.

Table 8-1
Monitoring card use: DRAMREC command utility

Field	Explanation and action
CARD 3	Requested DRAM card
EEPROM	Type of DRAM card
SPACE = MAX CONTIG	Maximum available next to recording space in seconds
TOTAL	Total recording space available
PHRASE_EXT	(Phrase external) name given to the phrase
PHRASE_INT	(Phrase internal) identifying phrase number
LENGTH	Length of the phrase in seconds
Note: For a programmable read-only memory (PROM) card, the amount of recording space remaining always displays zero. The phrases stored on the PROM card do not affect this space.	

Evaluating DRAM and EDRAM performance factors

This chapter explains the basic requirements to establish performance factors for the digital recorded announcement machine (DRAM) and the enhanced digital recorded announcement machine (EDRAM).

Creating a performance monitoring plan

Operating company administration, engineering, and maintenance groups must plan and enable switch based measurement activities. These plans include selecting log reports for output and defining the operational measurement (OM) parameters.

Monitoring performance factors and system faults

The following procedure explains how to create and execute a plan to monitor the DRAM and EDRAM performance in the DMS switch.

Table 9-1
Creating a DRAM or EDRAM performance monitoring plan

Step	Action
1	<p>Select the correct performance indicators.</p> <p>Note: The chapter with the title “Using OMs to evaluate DRAM and EDRAM performance” describes the OMs for each performance factor.</p>
2	<p>Activate the performance indicators in the switch and collect the outputs.</p> <p>Note: To define and activate specified log reports, refer to procedures in <i>DMS-100 Family Input/Output System Reference Manual</i>. To set up OMs and route OM reports to output devices, refer to procedures. These procedures are in the <i>Operational Measurements Reference Manual</i>.</p> <p>Required parameters for setting OMs are:</p> <ul style="list-style-type: none"> • class names and register assignments • OM thresholds (provided the OM threshold feature package, NTX385 is in the software load) (Refer to the section “Identifying the software in your office” in the chapter titled “About this document.”) • data collection schedules • output devices <p>Note: Administration, engineering and maintenance groups of the company must plan and enable switch based measurement activities. These plans include the selection of log reports for output and the definition of the OM parameters. These OM parameters are listed in the previous description.</p>
<p>—continued—</p>	

Table 9-1
Creating a DRAM or EDRAM performance monitoring plan (continued)

Step	Action
3	<p>Analyze the results.</p> <p>Note: Review the output for the OMs in the reporting schedules set up in the previous step. Perform the following actions:</p> <ul style="list-style-type: none"> • look for service indications that exceed the established engineering standards for the DRAM or EDRAM • look for service indicators, like log reports, that indicate a maintenance or datafill problem • capture the correct OM readings for projecting when additional facilities are necessary to continue meeting engineering standards
4	<p>Report the results.</p> <p>Note: Notify the engineering and maintenance groups of service indications that require acknowledgement.</p>
5	The procedure is complete.
—end—	

Establishing performance standards

The operating company establishes the level of service performance for the DRAM and EDRAM regarding the accessibility and quality of the announcements. To establish expected performance levels, consider

- an acceptable number of times that an announcement is not available
- how clear an announcement must be
- how suitable an announcement must be

Capacity considerations

The DRAM and EDRAM are engineered components of the DMS-100 Family switch. In most switches, one DRAM or EDRAM can serve the normal announcement requirements. When using DRAM, a second DRAM can offer greater reliability.

The overflow performance factor indicates the percentage of calls that fail to connect to announcements. These call connections fail because the DRAM or EDRAM is traffic-busy and cannot provide the correct announcements.

9-4 Evaluating DRAM and EDRAM performance factors

Usage measurements monitor use of the DRAM or EDRAM, and peg counts to record the number of attempts to connect to an announcement.

Performance indicators Announcement usage

Description

The DRAM and EDRAM performance indicators help to define an acceptable limit of overflow before the requirement of additional capacity. The overflow is the percentage of calls that fail to receive a DRAM or EDRAM announcement. This failure occurs because the DRAM or EDRAM is transmission-busied and cannot process any more announcements.

The performance indicator for busy announcements calculates the percentage of calls routed to the DRAM or EDRAM that did not receive announcements correctly.

Table 9-2 lists the performance indicators for DRAM and EDRAM.

Table 9-2
Performance indicators for DRAM and EDRAM

Operational measurements		
Group	Register	Log reports
ANN	ANNATT	The system generates LINE 138 if a call routes to a treatment after being call processing busy. The system generates TRK 138 if a call routes to a treatment after being call processing busy.
	ANNOVFL	There are no associated logs

Calculations used to evaluate factor performance

The following calculation determines performance indicators for the DRAM and EDRAM. Performance indicators calculate the percentage of attempts that fail to provide recorded announcements. These announcements allow the operating company to consider a provisioning upgrade.

$$\frac{\text{ANNOVFL}}{\text{ANNATT}} \times 100 = \text{percentage overflow (unsuccessful announcements)}$$

Performance indicators

Announcement usage (end)

Data evaluation indicator procedure

Calculate the percentage of announcement overflow during the current study period. Compare this percentage with the engineered service-level objective set for the DRAM or EDRAM.

If the overflow percentage exceeds the service-level objectives, examine the overflow causes. If maintenance reasons or different events did not cause the overflow, consider expanding the number of DRAM speech cards or EDRAM cards. Refer to the chapter called “Planning DRAM and EDRAM expansion” for additional information.

Using OMs to evaluate DRAM and EDRAM performance

This chapter contains detailed lists of the operational measurements (OMs). These OMs relate to digital recorded announcement machine (DRAM) and enhanced digital recorded announcement machine (EDRAM) performance. Use these measurements to calculate the amount of traffic the DRAM or EDRAM can handle. These measurements also calculate changes that can improve DRAM and EDRAM performance.

Defining operational measurements

The following table lists OM groups that apply to DRAM and EDRAM, and provides information about each group.

Table 10-1
DRAM and EDRAM operational measurements

Group	Register	Information
ANN	ALL	<p>Description: OM group ANN provides information on traffic for recorded announcement machines. The two peg registers are ANNATT and ANNOFL. The three use registers are ANNTRU, ANNSBU, and ANNMBU. The scan rate for the use register is slow (100 s).</p> <p>BCS history: BCS introduced this group.</p>
ANN	ANNATT	<p>Description: announcement attempts</p> <p>This register counts the number of calls that are routed to an announcement. This count is available for each announcement type and counts single attempts and all simultaneous connections.</p> <p>BCS history: BCS20 introduced this register.</p> <p>Associated registers:</p> <ol style="list-style-type: none"> 1 Register OFZ_INANN counts calls that originate on a trunk and route to an announcement first. 2 Register OFZ_ORIGANN counts calls that originate on a line and route to an announcement first. 3 Register OTS_ORGTRMT counts calls that originate on a line and connect to a tone or an announcement. 4 Register OTS_INCTRMT counts calls that originate on a trunk and route to a tone or an announcement. 5 Register TONES_TONEATT counts attempts to connect to a tone generator. <p>Register validation:</p> $\text{ANNATT} \geq \text{OFZ_INANN} + \text{OFZ_ORIGANN}$ $\text{ANNATT} \geq \text{TONES_TONEATT} \geq \text{OTS_ORGTRMT} + \text{OTS_INCTRMT}$
—continued—		

Table 10-1
DRAM and EDRAM operational measurements (continued)

Group	Register	Information
ANN	ANNMBU	<p>Description: announcement manual busy</p> <p>Register ANNMBU is a usage register. The scan rate is slow (100 s). Register ANNMBU records if an announcement is manual busy. Each announcement contains a minimum of one track. Each track is assigned one trunk circuit or channel. Each track is associated with one announcement and one ANN tuple. Table ANNMEMS defines the links between tracks and announcements. The busy states that register ANNMBU measures are:</p> <ol style="list-style-type: none"> 1 Track manual busy (tk_man_busy) 2 Track network management busy (tk_nwm_busy) <p>BCS history: BCS20 introduced this register.</p> <p>Associated registers:</p> <ol style="list-style-type: none"> 1 Register ANNTRU records if an announcement is traffic busy. 2 Register ANNSBU records if an announcement is system busy. <p>The relationship of these registers follows:</p> <p>Total busy use = ANNTRU + ANNSBU + ANNMBU</p>
ANN	ANNOVFL	<p>Description: announcement overflow</p> <p>This register counts calls the system routes routed to a recorded announcement but does not connect to the announcement. These calls cannot connect to the announcement because the maximum number of calls are connected or the announcement is maintenance busy. Register ANNOVFL does not count the number of calls that overflow because of network block.</p> <p>BCS history: BCS20 introduced this register.</p>
—continued—		

Table 10-1
DRAM and EDRAM operational measurements (continued)

Group	Register	Information
ANN	ANNSBU	<p>Description: Announcement system-busy use</p> <p>Register ANNSBU is a usage register. The scan rate is slow (100 s). Register ANNSBU records if an announcement is system busy.</p> <p>Each announcement contains a minimum of one track. Table ANNMEMS defines the link between tracks and announcements. The busy states measured by this register are:</p> <ol style="list-style-type: none"> 1 Track system busy (tk_system_busy) 2 Track peripheral module busy (tk_pm_busy) 3 Queued to be manual busy (tk_deloaded) <p>BCS history: BCS20 introduced this register.</p> <p>Associated registers:</p> <ol style="list-style-type: none"> 1 Register ANNTRU records if an announcement is traffic busy. 2 Register ANNMBU records if an announcement is manual busy. <p>The relationship between these registers is: Total busy use = ANNTRU + ANNSBU + ANNMBU</p>
ANN	ANNTRU	<p>Description: announcement traffic use</p> <p>Register ANNTRU is a usage register. The scan rate is slow or 100 s. This register records if an announcement is traffic busy.</p> <p>BCS history: BCS20 introduced this register.</p> <p>Associated registers:</p> <ol style="list-style-type: none"> 1 Register ANNMBU records if an announcement is manual busy. 2 Register ANNSBU records if an announcement is system busy. <p>The relationship between these registers, for each tuple, is:</p> <p>Total busy use = ANNTRU + ANNSBU + ANNMBU</p>
—end—		

DRAM and EDRAM tracking work sheets

This chapter provides suggested worksheets to monitor and record the performance of the digital recorded announcement machine (DRAM) and enhanced digital recorded announcement machine (EDRAM). This chapter also describes the operational measurements (OM) and how to record and use OMs in the worksheets.

Using the work sheets

A description of suggested work sheets for tracking the performance of the DRAM or EDRAM follows:

- the number of attempts to each announcement and the resulting overflows
- the percentage of overflows per announcement
- each announcement use

These work sheets are for busy-hour study periods determined by the operating company.

Operating company personnel can obtain data for the work sheets from the ANN OM group printout. For information on OM groups, refer to the chapter titled “Using OMs to evaluate DRAM and EDRAM performance”.

Attempts/overflows work sheet

The attempts/overflows work sheet (Figure 11-4) provides a record of the total number of attempts and overflows for a given study period. The work sheet sorts the records by announcement. The given study period is normally the announcement busy hour. Complete the work sheet as described in the following table.

Table 11-1
Completing the attempts/overflows work sheet

Heading	Entry
OFFICE	Enter the office name where the DRAM or EDRAM is under study.
ANNOUNCEMENT TYPE	Enter the common language name of the announcement.
DATE	Enter the date of the data collection.
ATT	Enter the number of attempts to reach the announcement under study.
OVFL	Enter the number of overflows for each announcement during the study period.

Percent overflow work sheet

The percent overflow work sheet (Figure 11-5) provides a record of announcement overflow. This work sheet displays the percentage of all attempts to an announcement that resulted in overflow to another treatment, during the test period. Complete the work sheet as described the following tables.

Table 11-2
Completing the percent overflow work sheet

Heading	Entry
OFFICE	Enter the office name where the DRAM or EDRAM is under study.
ANNOUNCEMENT TYPE	Enter the common language name of the announcement.
DATE	Enter the date of the data collection.
%	From the attempts/overflow work sheet for each announcement type, divide the number of overflows by the number of attempts and multiply by 100. Enter the result. This result is the percentage of overflow. Perform this procedure for each announcement.

Usage of each announcement work sheet

The usage work sheet (refer to Figure 11-6) records the use of each DRAM and EDRAM announcement. The work sheet records the following conditions, that can route a call to a DRAM or EDRAM announcement:

- traffic
- system busy state
- manual busy state

Complete the worksheet as described in the following table.

**Table 11-3
Completing the usage for each announcement work sheet**

Heading	Entry
OFFICE	Enter the office name where the DRAM or EDRAM is under study.
ANNOUNCEMENT TYPE	Enter the common language name of the announcement.
DATE	Enter the date of the data collection.
ANNTRU	Enter the usage generated by actual traffic.
ANNSBU	Enter the usage caused by system busy.
ANNMBU	Enter the usage caused by manual busy.

Figure 11-4
Attempts/overflows worksheet

Building _____		DRAM and EDRAM TRACKING WORK SHEET (Attempts/overflows)							
Office _____		DATE _____		DATE _____		DATE _____		DATE _____	
ANNOUNCEMENT TYPE		ATT	OVFL	ATT	OVFL	ATT	OVFL	ATT	OVFL
Prepared by Name _____		Date _____		Tel. No. _____					

**Figure 11-5
Percent overflow worksheet**

Building _____ Office _____	DRAM and EDRAM TRACKING WORK SHEET (Attempts/overflows)							
ANNOUNCEMENT TYPE	DATE	DATE	DATE	DATE	DATE	DATE	DATE	DATE
	_____ —	_____ —	_____ —	_____ —	_____ —	_____ —	_____ —	_____ —
	%	%	%	%	%	%	%	%
Prepared by Name _____ Date _____ Tel. No. _____								

11-6 DRAM and EDRAM tracking work sheets

Figure 11-6
Use per announcement worksheet

Building _____ Office _____		DRAM and EDRAM TRACKING WORK SHEET (Attempts/overflows)				
ANNOUNCEMENT TYPE	DATE _____			DATE _____		
	ANNTRU	ANNSBU	ANN MBU	ANNT RU	ANNS BU	ANN MBU
Prepared by Name _____ Date _____ Tel. No. _____						

Recording on DRAM and EDRAM

This chapter provides procedures to for manually recording or correcting factory produced or customized announcements (or voice files). The recording occurs on the digital recorded announcement machine (DRAM) or the enhanced digital recorded announcement machine (EDRAM).

Task list

The following list provides the names of the procedures in this chapter.

- Recording custom announcements on EDRAM
- Recording custom announcements on Northstar
- Recording or correcting a DRAM custom announcement
- Reloading factory-produced voice files to EDRAM
- Uploading EDRAM files to storage device
- Reloading custom announcements to EDRAM
- Recording announcements after a power or card failure

This chapter contains procedures for recording or correcting factory-produced customized announcements (or voice files) on the DRAM or EDRAM. Each procedure contains the following:

- explanatory and context-setting information
- summary flowchart
- a list of steps

Explanatory and context-setting information

In each procedure, the paragraphs titled “Application”, “Definition”, and “Action” contain important explanatory notes and context-setting information. Read these sections before you perform the procedure. The “Common procedures” paragraph lists the names of common procedures that can be part of a procedure that have the steps can direct you to perform. Go to these common procedures only when directed to do so.

Summary flowchart

The flowchart is a summary of the main actions, decision points, and possible paths you can take. Do not use the summary flowchart to perform the procedure. Use this flowchart to review your actions and to help prepare for these actions. For example, if these instructions involve another office, advise that office before you begin the instructions.

A list of steps

The list of steps tells you how to record or correct announcements or voice files. Normally, you perform the steps in order. You can be directed to return to a previous step and repeat a sequence. The successful completion of a step can depend on previous steps. Always perform the steps in the specified order.

The list of steps provide the command syntax and machine output you use or see when you perform this procedure.

Recording custom announcements on EDRAM

Application

Use this procedure to record or correct custom announcements on the enhanced digital recorded announcement machine (EDRAM). Use a MAP terminal and a headset to perform this action.

Definition

Install custom announcements or available repair custom announcements. To perform these actions, manually record or record the announcements again in the random access memory (RAM) of the NT1X80 EDRAM card.

Common procedures

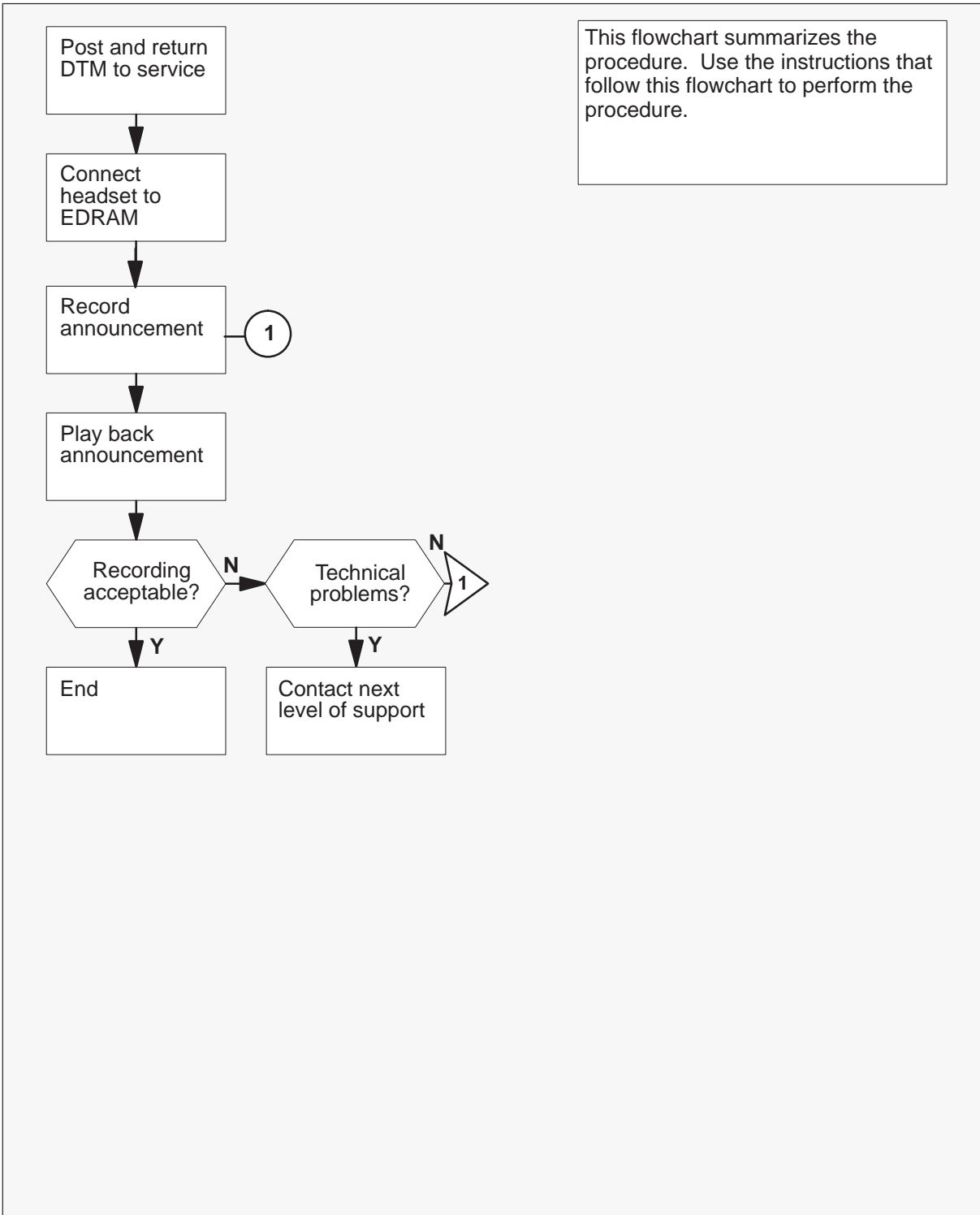
There are no common procedures.

Action

This procedure contains a summary flowchart and a list of steps. Use the flowchart to review the procedure. Follow the steps to perform the procedure.

Recording custom announcements on EDRAM (continued)

Summary of recording custom phrases on EDRAM



Recording custom announcements on EDRAM (continued)

Recording custom announcements on EDRAM

At the MAP terminal

1 To access the PM level of the MAP display, type
>MAPCI;MTC;PM
 and press the Enter key.

2 To post the digital trunk module (DTM), type
>POST DTM dtm_no
 and press the Enter key.

where

dtm_no is the number of the DTM

Example input

>POST DTM 4

Example of Map response:

DTM 4 InSv

If the DTM	Do
is in-service	step 5
is not in-service	step 3

3 To manually busy the DTM, type
>BSY
 and press the Enter key.

Recording custom announcements on EDRAM (continued)

- 4 To return the DTM to service, type

>RTS

and press the Enter key.

If the RTS command	Do
passes	step 5
fails	step 18

- 5 To access the EDRAM recording utility, type

>DRAMREC

and press the Enter key.

Map response:

DRAM:

- 6 To connect the headset to the EDRAM controller circuit, type

>CONNECT edram_no HSET hset_clli member_no

and press the Enter key.

where

edram_no is the number of the EDRAM controller

hset_clli is the common language identifier (CLLI) of the headset trunk (table CLLI)

member_no is the member number assigned to the headset trunk (table TRKMEM)

Example input

>CONNECT 0 HSET 0

Map response:

CONNECTION MADE

- 7 To record the announcement, type

>RECORD phrase_name length PAD

and press the Enter key.

where

phrase_name is the name of the phrase

length is the length of the phrase in seconds

Example input

>RECORD VCAENG 10 PAD

Recording custom announcements on EDRAM (continued)

- 8 After two prompt tones, speak to record the announcement. If the announcement is more than 18 s, record this announcement as two or more phrases of equal length. Use silent periods to equalize phrase length where needed. Tables ANNMEMS and DRAMTRK are used to combine the phrases to create the complete announcement.

- 9 To play back the announcement, type
>PLAYBACK edram_no phrase_name
 and press the Enter key.

where

edram_no is the number of the EDRAM controller
 phrase_name is the name of the announcement you just recorded

Example input

>PLAYBACK 0 VCAENG

- 10 Determine if the announcement records correctly.

Note: If the announcement does not record correctly, record the announcement again. Technical problems in the system can prevent successful recording.

If the announcement	Do
records correctly	step 15
does not record correctly, and you want to record the announcement again	step 11
does not record correctly, or not at all, because of technical problems	step 18

- 11 To erase the announcement, type
>ERASE edram_no phrase_name
 and press the Enter key.

where

edram_no is the number of the EDRAM controller
 phrase_name is the name of the announcement to erase

Example input

>ERASE 0 VCAENG

- 12 Check if the message that follows appears in response to the ERASE command:

Recording custom announcements on EDRAM (end)

WARNING: THIS IS THE LAST INSTANCE OF THIS PHRASE IN THE OFFICE.

ERROR: PHRASE MUST BE REMOVED FROM THESE ANNOUNCEMENT TRACKS IN TABLE DRAMTRK BEFORE IT CAN BE ERASED.

If this message	Do
appears with a list of announcements	step 13
Does not appear	step 14

- 13 Refer to *Translations Guide*. Remove the phrase from the announcement tracks in Table DRAMTRK. Go to step 11.
- 14 Repeat steps 7 through 10 with the phrase name used in step 7.
- 15 To disconnect the headset trunk from the EDRAM controller circuit, type
>DISCONNECT
and press the Enter key.
- 16 To quit the EDRAM recording utility, type
>QUIT
and press the Enter key.
- 17 If software support for EDRAM uploading is supported, refer to the Uploading EDRAM files to a storage device section of this document.
Go to step 19.
- 18 For additional help, contact the next level of support.
- 19 You have completed this procedure.

Recording announcements at a consistent level

Application

Use this procedure to make announcement recordings at a consistent level repeatedly. This procedure uses any type of playback equipment and can apply to all DMS installations in an operating company's network. Use a MAP terminal and a headset to perform this action.

This procedure includes two stages. Perform stage one once to determine the benchmark recording level that is appropriate when played back. Perform stage two as many times as needed for:

- recording a new announcement
- recording an existing announcement again
- modifying part of an existing announcement

This procedure requires the following equipment and materials:

- an analog tape or
- a digital audio tape (DAT) or
- a digital minidisk or compact disk (CD)
- on any one of these recording mediums, the following recordings made by a professional recording studio:
 - the talent voice recording used for the announcements
 - a single tone of 1004 Hz recorded on the same medium and at the same recording level as the talent voice
- an analog tape player, or DAT, or digital CD, or minidisk player to play back the studio recordings.
- a cable to connect the earphone jack output of the playback device (such as a male mini headphone jack) to the jack ended trunk. The jack-ended trunk requires a 3/4 inch male audio jack.

Note 1: A high quality playback device produces a better and more consistent result. DAT, CD and minidisks are digital recordings that produce a consistent result. Analog tape stretches and produces a less consistent recording. A playback device with a line output produces a clean, balanced signal. The line output can be connected to a small, commercially available, audio mixer. The output from the mixer connects to the jack-ended trunk. This setup provides better control and the gain can be increased to higher levels if required. This setup avoids using the earphone jack with playback volume set to maximum level which can cause distortion.

This setup is improved by narrowing the difference between the output and input impedances of the mixer and the jack-ended trunk. Playback devices

Recording announcements at a consistent level (continued)

and mixers usually have an output impedance in the range of 10 to 20 KOhms. The input impedance of the jack-ended trunk is 600 Ohms.

The connection achieves a better termination with the following conditions:

- the output of the mixer connects to a set-matching audio transformer with a primary coil (input) impedance in the range of 10 to 20 KOhms
- a secondary coil (output) impedance of 600 Ohms

The primary coil connects to the output of the playback device or optional mixer and the secondary coil terminates to the jack-ended trunk.

Note 2: The recording studio that prepares the announcement, can include a test tone with a duration of approximately 15 seconds. The test tone is a line up tone of 1kHz or preferably, 1004 Hz if available. The test tone is recorded on the recording medium before the announcement. The level is 0 dBu on a VU meter. When the pre-recorded recording medium is played back, adjust the level to 0 dBu. This procedure uses dBu to indicate dBm. dBm is a relative power unit as opposed to dBu.

Use level meters to check the levels going in and coming out of the DMS. The standard line level out of the playback device and mixer devices is 775 mV (0 dBu). The test trunk impedance is 600 Ohms and the output of the mixer is 20,000 Ohms. A level meter connects across the test jack connection at the MAP position. Level meters are available at retail electronic stores.

Definition

Record these announcements in the random access memory (RAM) of the NT1X80 EDRAM card

Common procedures

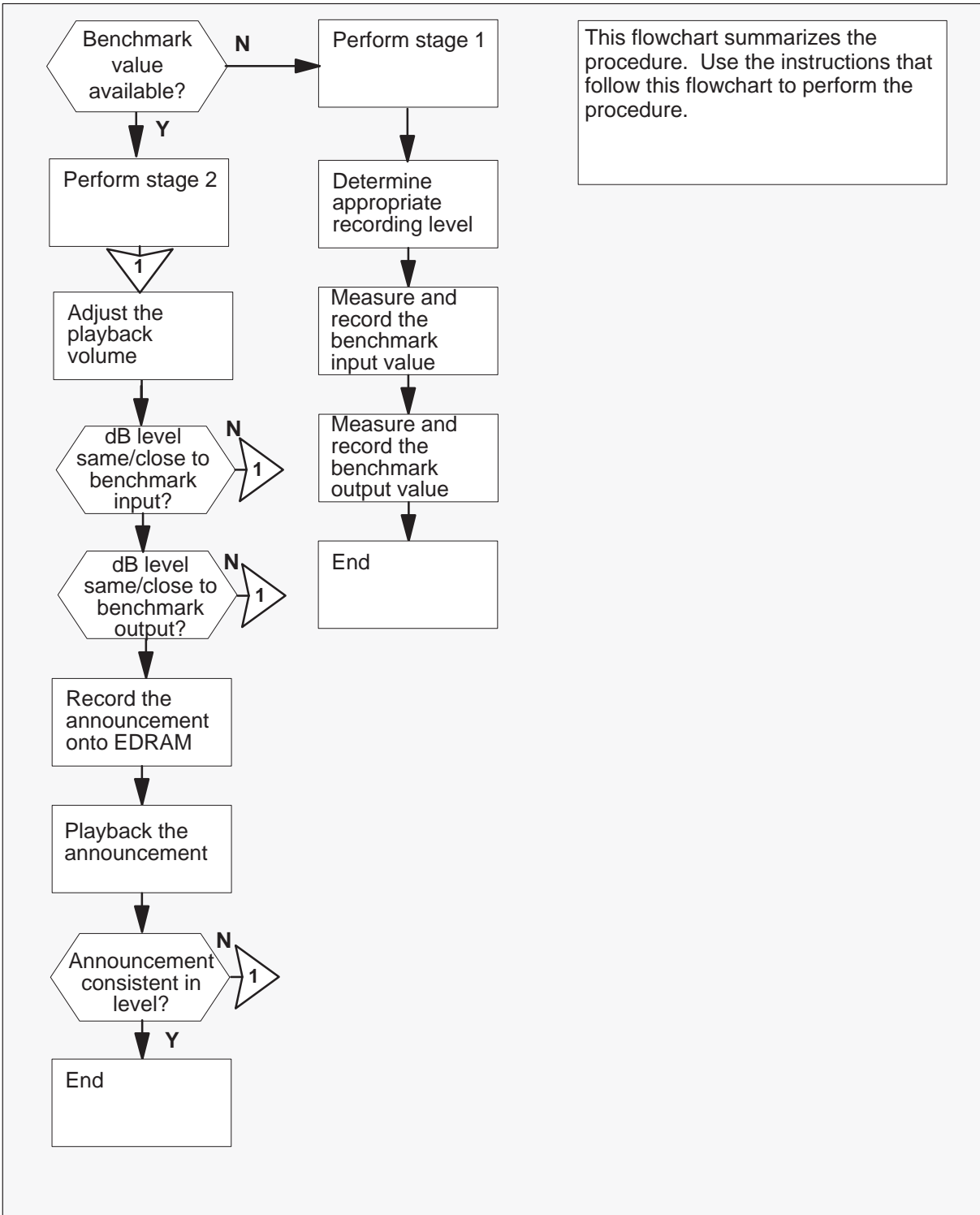
There are no common procedures.

Action

This procedure contains a summary flowchart and a list of steps. Use the flowchart to review the procedure. Follow the steps to perform the procedure.

Recording announcements at a consistent level (continued)

Summary of recording announcements at a consistent level



Recording announcements at a consistent level (continued)

ATTENTION

Attenuation of the input and output stages of the jack-ended trunk is possible by two sets of dip switches on the NT1X54 card. The dip switches can add in or out attenuation at the following incremental values: 0.25, 0.5, 1, 2, 4, and 8 and are usually preset to -6 dB.

Stage one - determine the benchmark recording level

At the MAP terminal

- 1 Setup and prepare the audio playback device and media which contains the studio recordings.
- 2 Connect the audio device to the jack-ended test trunk. Use one of the mediums described in the application section of this procedure.
- 3 Adjust the playback volume of the audio device.
- 4 Record the announcement to the EDRAM by using the DRAMREC utility. Go to the procedure *Recording custom announcements on EDRAM* in this chapter and perform the appropriate steps. Return to this step.

To record the announcement, type

>RECORD phrase_name length NOPAD

and press the Enter key.

where

phrase_name is the name of the phrase

length is the length of the phrase in seconds

- 5 After two prompt tones, speak to record the announcement. If the announcement is more than 18 s, record this announcement as two or more phrases of equal length. Use silent periods to equalize phrase length where needed. Tables ANNMEMS and DRAMTRK are used to combine the phrases to create the complete announcement.

- 6 Play back the announcement and listen to it from a headset to determine if the sound level is appropriate. To play back the announcement, type

>PLAYBACK edram_no phrase_name

and press the Enter key.

where

edram_no is the number of the EDRAM controller

phrase_name is the name of the announcement you just recorded

Recording announcements at a consistent level (continued)

- 7 Determine if the sound level is appropriate.

If the announcement	Do
sound level is not correct	step 3
sound level is correct	step 8

- 8 Record the 1004 Hz tone track onto the EDRAM by using the DRAMREC utility. Do not change the playback volume of the audio device or any of the physical connections. Go to the procedure *Recording custom announcements on EDRAM* in this chapter and perform the appropriate steps. Return to this step.

>RECORD phrase_name length NOPAD

and press the Enter key.

where

phrase_name is the name of the phrase

length is the length of the phrase in seconds

- 9 To quit the EDRAM recording utility, type

>QUIT

and press the Enter key.

- 10 To access the manual level of the MAP display, type

>MAPCI;MTC;TRKS;TTP;MANUAL

and press the Enter key.

- 11 To post the jack-ended trunk connected to the audio device output, type

>POST G JACK 0

and press the Enter key.

- 12 Play back the 1004 Hz track tone on the audio device.

- 13 To measure the received signal loss of the test trunk, type

>LOSS

and press the Enter key.

Recording announcements at a consistent level (continued)

- 14 Monitor the level meter value displayed at the MAP terminal under the RESULT column of the MAP.

Example:

LVM = -8.0

This dB value represents the desired volume level which was determined above as the appropriate level. Use this dB value for subsequent announcement recording as the *benchmark input* value.

Note 1: The optimum volume level is -6 dB but use this value only as a guideline. Ultimately it is the switch administration's decision to determine what volume level is the benchmark input value. The values in the range of -10 to -3 dB yield acceptable results.

Note 2: The attenuation used on the NT1X54 card determines the actual reading on the level meter. This example has an attenuation of 0 dB.

- 15 To release the connection to the jack-ended trunk, type
>RLS
and press the Enter key.
- 16 Disconnect the playback device from the jack-ended trunk.
- 17 Connect the T (IN) of the jack-ended trunk to the R (OUT) of another jack-ended trunk. For example, JACK 0 (R) to JACK 1 (T).
- 18 To access the manual level of the MAP display, type
>MAPCI;MTC;TRKS;TTP;MANUAL
and press the Enter key.
- 19 To post the jack-ended trunk mentioned in step 17 as the OUT, type
>POST G JACK 0
and press the Enter key.
- 20 To connect JACK 0 to the EDRAM track containing the 1004 Hz tone, type
>DRAMREC
>CONNECT edram_no JACK 0
>PLAYBACK edram_no phrase_name
and press the Enter key.
- where*
- edram_no is the number of the EDRAM controller
phrase_name is the name of the phrase
- 21 To move JACK 0 to the hold position, type
>HOLD
and press the Enter key.

Recording announcements at a consistent level (continued)

- 22 To post the jack-ended trunk mentioned in step 17 as the IN, type
>POST G JACK 1
and press the Enter key.
- 23 To measure the received signal loss of the test trunk, type
>LOSS
and press the Enter key.
- 24 Monitor the level meter value displayed at the MAP terminal under the RESULT column of the MAP.
Example:
LVM = -12.0
This dB value represents the desired volume level which was determined above as the appropriate level. Use this dB value for subsequent announcement recording as the *benchmark output* value.
- 25 To release the connection to the jack-ended trunk, type
>RLS
and press the Enter key.
- 26 To quit from the MANUAL level, type
>QUIT ALL
and press the Enter key.
- 27 You have completed stage one of this procedure.

Stage two - record announcements***At the MAP terminal***

- 1 Connect the output of the audio device to the jack-ended trunk 0. Use one of the mediums described in the application section of this procedure.
- 2 To access the manual level of the MAP display, type
>MAPCI;MTC;TRKS;TTP;MANUAL
and press the Enter key.
- 3 To post the jack-ended trunk mentioned in step 2, type
>POST G JACK 0
and press the Enter key.
- 4 To measure the received signal loss of the test trunk, type
>LOSS
and press the Enter key.

Recording announcements at a consistent level (continued)

- 5 Monitor the level meter value displayed at the MAP terminal under the RESULT column of the MAP.

Example:

LVM = -17.0

- 6 Adjust the volume of the audio device so that the decibel level is the closest attainable value to the benchmark input value, the level meter value displayed at the MAP terminal under the RESULT column of the MAP.

Example:

LVM = -8.0 (or -8.1 or -7.9)

- 7 Determine the next action.

The decibel level	Do
is not close to or the same as the benchmark input value	step 6
is the benchmark input value or is the closest attainable value to the benchmark input value	step 8

Note 1: The benchmark input value is determined in this procedure in the section, Stage one – determine the benchmark recording level.

- 8 To release the connection to the jack-ended trunk, type
>RLS
 and press the Enter key.
- 9 Record the 1004 Hz tone track onto the EDRAM by using the DRAMREC utility. Do not change the playback volume of the audio device or any of the physical connections. Go to the procedure *Recording custom announcements on EDRAM* in this chapter and perform the appropriate steps. Return to this step.
>RECORD phrase_name length NOPAD
 and press the Enter key.
- where*
- phrase_name is the name of the phrase
 length is the length of the phrase in seconds
- 10 To quit the DRAMREC level, type
>QUIT
 and press the Enter key.
- 11 Disconnect the playback device from the jack-ended trunk.

Recording announcements at a consistent level (continued)

12 Connect the T (IN) of the jack-ended trunk to the R (OUT) of another jack-ended trunk. For example, JACK 0 (R) to JACK 1 (T).

13 To access the manual level of the MAP display, type

>MAPCI;MTC;TRKS;TTP;MANUAL

and press the Enter key.

14 To post the jack-ended trunk mentioned in step 12 as the OUT, type

>POST G JACK 0

and press the Enter key.

15 To connect JACK 0 to the EDRAM track containing the 1004 Hz tone, type

>DRAMREC

>CONNECT edram_no JACK 0

>PLAYBACK edram_no phrase_name

and press the Enter key.

where

edram_no is the number of the EDRAM controller

phrase_name is the name of the phrase

16 To move JACK 0 to the hold position, type

>HOLD

and press the Enter key.

17 To post the jack-ended trunk mentioned in step 12 as the IN, type

>POST G JACK 1

and press the Enter key.

18 To measure the received signal loss of the test trunk, type

>LOSS

and press the Enter key.

19 Monitor the level meter value displayed at the MAP terminal under the RESULT column of the MAP.

Example:

LVM = -12.1

Recording announcements at a consistent level (continued)

20 Determine the next action.

The decibel level is	Do
not close to or the same as the benchmark output value	step1
the benchmark output value or is the closest attainable value to the benchmark output value	step 21

Note 1: The benchmark output value is determined in this procedure in the section, Stage one – determine the benchmark recording level.

21 To release the connection to the jack-ended trunk, type

>RLS

and press the Enter key.

22 Re-connect the playback device to the jack-ended trunk 0.

23 Record the announcement onto the EDRAM by using the DRAMREC utility. Do not change the playback volume of the audio device or any of the physical connections. Go to the procedure *Recording custom announcements on EDRAM* in this chapter and perform the appropriate steps. Return to this step.

>RECORD phrase_name length NOPAD

and press the Enter key.

where

phrase_name is the name of the phrase

length is the length of the phrase in seconds

24 Play back the announcement and listen to it from a headset to determine if the sound level is appropriate. To play back the announcement, type

>PLAYBACK edram_no phrase_name

and press the Enter key.

where

edram_no is the number of the EDRAM controller

phrase_name is the name of the announcement you just recorded

Recording announcements at a consistent level (end)

25 Determine the next action.

If the announcement	Do
is not consistent in level	step 1
is consistent in level	step 26

26 You have completed stage two of this procedure.

Recording custom announcements on Norstar

Application

Use this procedure to record or correct current announcements on the digital recorded announcement machine (DRAM) or enhanced digital recorded announcement machine (EDRAM). When you perform this procedure, use the Norstar console, two MAP terminals, one headset (HSET), and a tape recorder.

This procedure requires two headset circuits. One headset at the first MAP terminal allows personnel to monitor the recording. Another headset at the second MAP terminal is for personnel recording the announcement.

The DMS software provides a link for each headset to the correct MAP terminal. For example, HSET 1 is for MAP 1.

Each Norstar console has a headset jack. The tape recorder is plugged in at the first console. The monitoring headset is plugged in at the second console.

Definition

The NT1X76, NT1X77, or NT1X79 cards store the DRAM phrases in digit format. The NT1X77 and the NT1X79 card stores phrases in random access memory (RAM) and electrically erasable programmable read only memory (EEPROM). The NT1X75 DRAM controller card has a single trunk appearance.

The NT1X76 card stores phrases in programmable read only memory (PROM). This card cannot be manually recorded. Announcement trouble requires a card replacement.

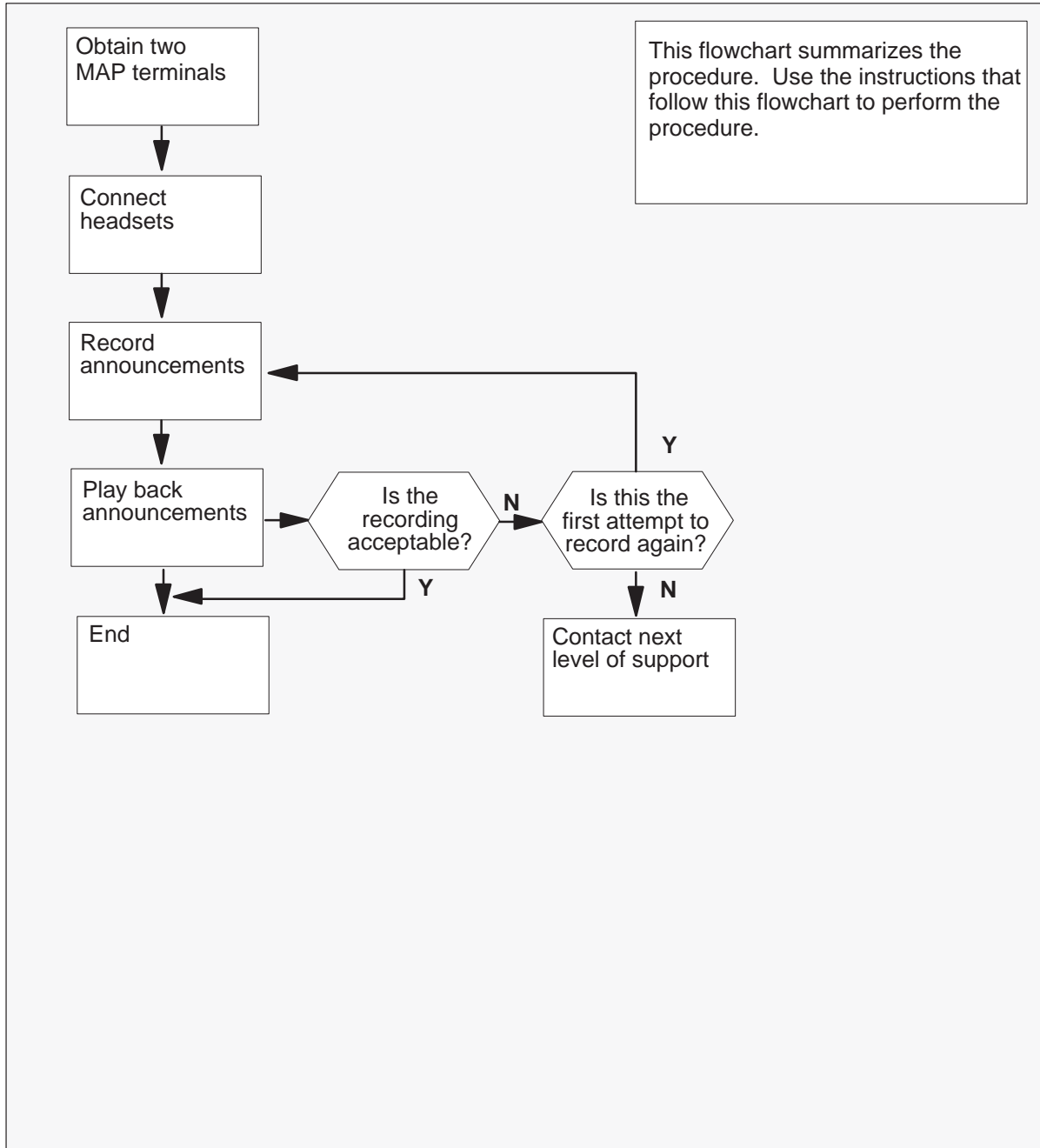
The NT1X80 EDRAM card stores phrases in random access memory (RAM). You can install announcements or repair current announcements. To install an announcement, manually record the announcement. To repair a current announcement, manually record the announcement again.

Common procedures

There are no common procedures.

Action

This procedure contains a summary flowchart and a list of steps. Use the flowchart to review the procedure. Follow the steps to perform the procedure.

Recording custom announcements on Norstar (continued)**Summary of recording custom announcements on Norstar**

Recording custom announcements on Norstar (continued)

Recording custom announcements on Norstar

At the second MAP terminal

1



WARNING

Loss of announcement services

This procedure removes the DRAM or EDRAM from service. Perform this procedure during periods of low traffic.



WARNING

Loss of announcement services

This procedure removes the DRAM or EDRAM from service. Perform this procedure during periods of low traffic.

This procedure requires two MAP terminals. Do not proceed unless two terminals are available.

The first MAP terminal with the first headset jack (tape recorder) records the process. The second MAP terminal with the second headset jack (the monitoring headset) monitors the process.

- 2 To prepare the monitoring MAP terminal, type
>MAPCI;MTC;TRKS;TTP:MONITOR;POST G HSET 1;CKTMON
and press the Enter key.
- 3 Set the Norstar console to handsfree.
- 4 Plug a headset in the headset jack on the second Norstar Console. Make sure the jack is not jack 0.

At the first MAP terminal

- 5 To access the DRAM or EDRAM recording utility, type
>MAPCI;DRAMREC
and press the Enter key.

MAP response:

DRAM:

Recording custom announcements on Norstar (continued)

- 6 Plug the tape recorder in the headset jack on the Norstar console. To connect the Norstar to the DRAM or EDRAM controller circuit, type

CONNECT member_no 0 member_no

and press the Enter key.

where

member_no is the member number of the DRAM or EDRAM controller
0 is the CLLI of the headset trunk (table CLLI); default is 0 for the recording MAP

member_no is the member number assigned to the headset trunk (table TRUNKMEM)

Example input:

>CONNECT 0 HSET 0

MAP response:

CONNECTION MADE

- 7 Play the tape recorder and make sure the volume levels on HSET 1 (at the second MAP terminal) are acceptable.

- 8 Record the length of each phrase in seconds.

- 9 To record the first phrase, type

>RECORD phrase_ext length PAD

and press the Enter key.

where

phrase_ext is the name of the phrase
length is the length of the phrase in seconds

Example input:

>RECORD VCAENG 10 PAD

- 10 After you hear two prompt tones, speak in the mouthpiece and record the announcement. If the announcement is more than 18 s, record the announcement as two or more phrases of equal length. Use silent periods to equalize the length when necessary. Tables ANNMEMS and DRAMTRK connect the phrases together to create the complete announcement.

Recording custom announcements on Norstar (continued)

- 11 To play back the phrase, type

>PLAYBACK member_no phrase_ext

and press the Enter key.

where

member_no is the member number of the DRAM or EDRAM controller

phrase_ext is the name of the phrase you want to play back

Example input:

>PLAYBACK 0 VCAENG

- 12 Determine if the phrase records correctly.

If the phrase	Do
records correctly	step 18
does not record correctly	step 13

- 13 Attempt to record the phrase again if the phrase does not record correctly.

Determine if you recorded the phrase more than once

If the phrase	Do
was recorded once only	step 14
was recorded more than once	step 23

- 14 To erase the phrase that is not correct, type

>ERASE member_no phrase_ext

and press the Enter key.

where

member_no is the member number of the DRAM or EDRAM controller

phrase_ext is the name of the phrase you want to erase

Example input:

>ERASE 0 VCAENG

Recording custom announcements on Norstar (continued)

- 15 Verify if the message that follows appears in response to the ERASE command:

WARNING: THIS IS THE LAST INSTANCE OF THIS PHRASE IN THE OFFICE.

ERROR: PHRASE MUST BE REMOVED FROM THESE ANNOUNCEMENT TRACKS IN TABLE DRAMTRK BEFORE IT CAN BE ERASED.

If this message	Do
appears with a list of announcements	step 16
does not appear	step 17

- 16 Refer to the *Translations Guide*. Remove the phrase from the announcement tracks in Table DRAMTRK. Go to step 14.

- 17 Repeat steps 9 through 12 with the phrase name used in step 9.

- 18 Repeat steps 9 through 12 for all the phrases you are recording on the NT1X77, NT1X79, or NT1X80 EDRAM card.

- 19 To disconnect the headset trunk from the DRAM or EDRAM controller circuit, type

>DISCONNECT member_no hset_clli member_no

and press the Enter key.

where

member_no is the member number of the DRAM or EDRAM controller

hset_clli is the CLLI of the headset trunk (Table CLLI)

member_no is the member number assigned to the headset trunk (table TRUNKMEM)

Example input:

>DISCONNECT 0 HSET 0

- 20 To quit DRAMREC, type

>QUIT

and press the Enter key.

Recording custom announcements on Norstar (end)

At the second MAP

- 21 To turn off the circuit monitor, type
>CKTMON OFF
and press the Enter key.

- 22 To quit the terminal that monitors, type
>QUIT ALL
and press the Enter key.
Go to step 24.

- 23 For additional help, contact the next level of support.

- 24 The procedure is complete.

Recording custom announcements on Norstar

Application

Use this procedure to record or to correct current custom announcements on the digital recorded announcement machine (DRAM).

Definition

The NT1X76, NT1X77, or NT1X79 cards store the DRAM phrases in digital format. Each card has a single trunk appearance. The DRAM controller is an NT1X75 card. This controller also has a single trunk appearance.

The NT1X76 card stores factory-recorded phrases in programmable read only memory (PROM). You cannot correct announcement trouble with this card by manually recording the announcements again. When this problem occurs, replace the card.

The NT1X77 card stores custom-recorded phrases in random access memory (RAM). The NT1X77 card stores custom-recorded phrases in electrically erasable programmable read-only memory (EEPROM). To install an announcement, manually record the announcement. To repair a current announcement, manually record the announcement again.

Common procedures

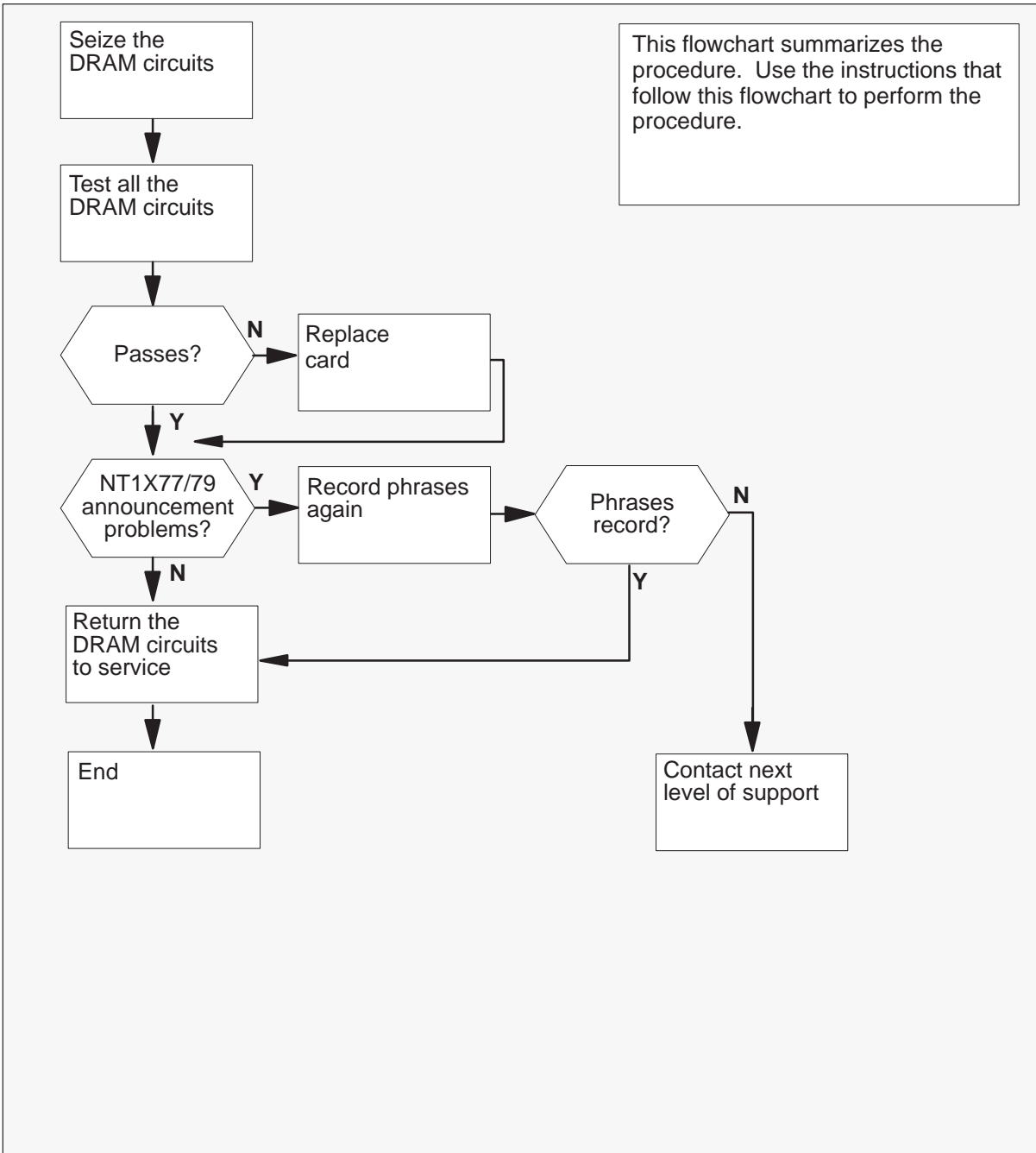
There are no common procedures.

Action

This procedure contains a summary flowchart and a list of steps. Use the flowchart to review the procedure. Follow the steps to perform the procedure.

Recording custom announcements on Norstar (continued)

Summary of Recording or correcting a DRAM custom announcement



Recording custom announcements on Norstar (continued)

Recording or correcting a DRAM custom announcement

**WARNING****Loss of announcement services**

This procedure removes the DRAM from service.
Perform this procedure during periods of low traffic.

**WARNING****Loss of announcement services**

This procedure removes the DRAM from service.
Perform this procedure during periods of low traffic.

At the MAP terminal

- 1 To access the TTP level of the MAP, type

>MAPCI;MTC;TRKS;TTP

and press the Enter key.

- 2 To post the DRAM circuits, type

>POST G DRAMdram_clli

and press the Enter key.

where

dram_clli is the common language location identifier (CLLI) of the DRAM controller (Table DRAMS or Table CLLI)

Example input:

>POST G DRAM0

Example of a MAP response:

```
LAST CKTN = 4
POSTED CKT IDLED
SHORT CLLI IS: DRAM0
OK,CKT POSTED
```

Recording custom announcements on Norstar (continued)

- 3 To seize the circuit, type

>SEIZE

and press the Enter key.

Example of a MAP response:

```

POST      4  DELQ          BUSYQ          DIG
TTP  6-002
CKT TYPE      PM NO.          COM LANG      STA S R
DOT TE  RESULT
ANN      STM    0  0  DRAM0          0  SZD . .
                                     P_IDL
    
```

Note: The first circuit in the posted set is always the controller card (NT1X75) trunk.

- 4 To move the next DRAM circuit in the control position, type

>NEXT

and press the Enter key.

- 5 Repeat steps 3 and 4 until all the circuits in the posted set are seized.

Example of a MAP response:

```

NO CKT, SET IS EMPTY
    
```

- 6 To post the DRAM circuits again, type

>POST G DRAMdram_clli

and press the Enter key.

where

dram_clli is the CLLI of the DRAM controller (Table DRAMS or Table CLLI)

- 7 To test the circuit in the control position, type

>TST

and press the Enter key.

Example of a MAP response:

```

TEST OK
***+ TRK107 JAN19 13:12:16 2200 PASS DRAM0    0
    
```

If the TST command	Do
passes	step 10
fails	step 8

Recording custom announcements on Norstar (continued)

- 8 Replace the card that corresponds to the tested circuit. Refer to *Lines, Trunks and Peripherals Card Replacement Procedures*. When the procedure is complete, return to this point.

- 9 To test the circuit, type
>TST
 and press the Enter key.

Example of a MAP response:

```
TEST OK
****+ TRK107 JAN19 13:12:16 2200 PASS DRAM0 0
```

If the TST command	Do
passes	step 10
fails	step 38

- 10 To move the next circuit to the control position, type
>NEXT
 and press the Enter key.

- 11 Repeat steps 7 through 10 for all the DRAM circuits in the posted set.

Example of a MAP response:

```
NO CKT, SET IS EMPTY
```

Recording custom announcements on Norstar (continued)

- 12 Determine if you are recording a new DRAM card.

If you	Do
are recording a new DRAM card	step 15
are not recording a new DRAM card	step 13

- 13 Determine if any DRAM circuits failed in the previous test.

If	Do
any DRAM circuits failed	step 14
the DRAM circuits did not fail	step 39

- 14 Determine if an announcement problem is with an NT1X77 or NT1X79 card.

If the announcement problem	Do
is with an NT1X77 or NT1X79 card	step 15
is not with an NT1X77 or NT1X79 card	step 38

- 15 To access the DRAM recording utility, type

>DRAMREC
and press the Enter key.

MAP response:

DRAM:

- 16 To connect an idle (IDL) headset trunk to the DRAM controller circuit, type

>CONNECT dram_no hset_clli member_no
and press the Enter key.

where

dram_no is the number of the DRAM controller
hset_clli is the CLLI of the headset trunk (table CLLI)
member_no is the member number assigned to the headset trunk (Table TRUNKMEM)

Recording custom announcements on Norstar (continued)

Example input:

>CONNECT 0 HSET 0

MAP response:

CONNECTION MADE

- 17** To display the DRAM phrases on the card that has faults, or the new card, type

>DISPLAY dram_no card_no

and press the Enter key.

where

dram_no is the number of the DRAM controller

card_no is the number of the DRAM card that has faults (Table DRAMS)

Example input:

>DISPLAY 0 1

Example of a MAP response:

CARD 1	PROM	SPACE: MAX	CONTIG	0	TOTAL	0
PHRASE_EXT		PHRASE_INT		LENGTH		
-----		-----		-----		
ENG1		48		1		
ENG2		49		1		
ENG3		50		1		
ENG4		51		1		
ENG5		52		1		
ENG6		53		1		
ENG7		54		1		
ENG8		55		1		
ENG9		56		1		
ENG0		47		1		
NCAENG		40		10		
PSPDENG		41		9		
VCAENG		42		13		
EA3ENG		43		10		
BLKDNENG		44		7		
NOD1ENG		45		11		

Note: Refer to *Hardware Description Manual* to translate the DRAM phrases listed above.

Recording custom announcements on Norstar (continued)

- 18 Determine if any phrases are listed.

If phrases	Do
are not listed	step 19
are listed	step 28

- 19 Obtain a list from the office records of the phrases that must be on the NT1X77 or the NT1X79 card.

- 20 To record the phrase, type

>RECORD phrase_ext length PAD

and press the Enter key.

where

phrase_name is the name of the phrase

length is the length of the phrase in seconds

Example input:

>RECORD VCAENG 10 PAD

- 21 After you hear three prompt tones, speak in the mouthpiece and record the announcement. If the announcement is more than 18 s, record the announcement as two or more phrases of equal length. Use silent periods to equalize phrase length when necessary. Tables ANNMEMS and DRAMTRK connect the phrases together to create the complete announcement.

- 22 To play back the phrase, type

>PLAYBACK dram_no phrase_ext

and press the Enter key.

where

dram_no is the member number of the DRAM controller

phrase_name is the name of the phrase you want to play back

Example input:

>PLAYBACK 0 VCAENG

Recording custom announcements on Norstar (continued)

- 23 Determine if the phrase recorded correctly.

If the phrase	Do
recorded correctly	step 26
did not record correctly	step 24

- 24 Repeat steps 20 through 22 and return to this point for each phrase.

- 25 Determine if the phrase recorded correctly.

If the phrase	Do
recorded correctly	step 26
did not record correctly	step 38

- 26 Repeat steps 20 through 23 for all the phrases you want to record on the NT1X77 or NT1X79 card.

- 27 To quit the DRAM recording utility, type

>QUIT

Go to step 32.

- 28 To play back one of the phrases of the card, type

>PLAYBACK dram_no phrase_ext

and press the Enter key.

where

dram_no is the number of the DRAM controller

phrase_name is the name of the phrase you want to play back

Example input:

>PLAYBACK 0 VCAENG

- 29 Listen to the phrase on the headset.

- 30 Repeat steps 28 and 29 for all the phrases.

Recording custom announcements on Norstar (continued)

- 31 Determine if any announcement problems occur.

If announcement problems	Do
occur	step 19
do not occur	step 32

- 32 To disconnect the headset trunk from the DRAM controller circuit, type
>DISCONNECT dram_no hset_clli member_no
 and press the Enter key.

where

dram_no is the number of the DRAM controller
 hset_clli is the CLLI of the headset trunk (Table CLLI)
 member_no is the member number assigned to the headset trunk
 (Table TRUNKMEM)

Example input:

>DISCONNECT 0 HSET 0

- 33 To post the DRAM circuits again, type

>POST G DRAMdram_clli
 and press the Enter key.

where

dram_clli is the CLLI of the DRAM controller (Table DRAMS or Table
 CLLI)

Example input:

>POST G DRAM0

Example of a MAP response:

```

LAST CKTN = 4
POSTED CKT IDLED
SHORT CLLI IS: DRAM0
OK,CKT POSTED
  
```

- 34 To return the circuit in the control position to service, type

>RTS
 and press the Enter key.

Recording custom announcements on Norstar (end)

- 35 To move the next circuit to the control position, type
>NEXT
and press the Enter key.
- 36 Repeat steps 34 and 35 for all the posted DRAM circuits.
- 37 To return to the CI level of the MAP, type
>QUIT ALL
and press the Enter key.
- 38 For additional help, contact the next level of support.
- 39 You have completed this procedure.

Reloading factory-produced voice files to EDRAM

Application

Use this procedure to reload factory-produced voice files to EDRAM again.

Definition

If voice file problems are present, EDRAM problems include the lack of announcements, or announcements that have faults.

Common procedures

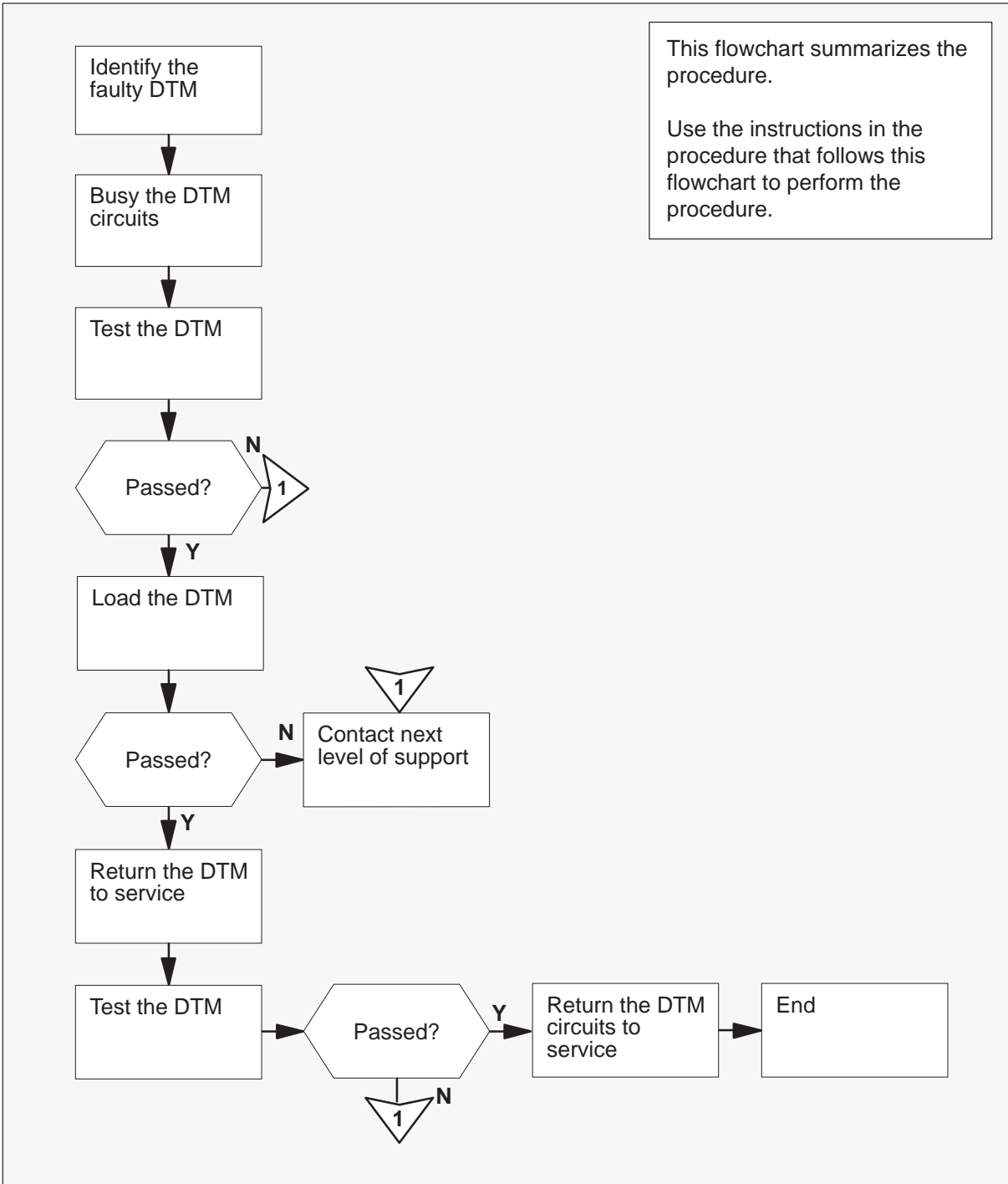
There are no common procedures.

Action

This procedure contains a summary flowchart and a list of steps. Use the flowchart to review the procedure. Follow the steps to perform the procedure.

Reloading factory-produced voice files to EDRAM (continued)

Summary of Reloading factory-produced voice files to EDRAM



Reloading factory-produced voice files to EDRAM (continued)

Reloading factory-produced voice files to EDRAM again



WARNING

Loss of announcement services

This procedure removes the EDRAM from service.
Perform this procedure during periods of low traffic.



WARNING

Loss of announcement services

This procedure removes the EDRAM from service.
Perform this procedure during periods of low traffic.

At the MAP terminal

- 1 To access Table EDRAMINV, type

>TABLE EDRAMINV
and press the Enter key.

Example of a MAP response:

TABLE: EDRAMINV

Reloading factory-produced voice files to EDRAM (continued)

- 2 To list all the digital trunk modules (DTM), type

>LIST ALL

and press the Enter key.

Example of a MAP response:

```

TOP
          EDRAMNM                TUPINFO
-----
      DTM  1  1                ANN  ESTD0AA
      DTM  1  3                ANN  FSTD0BA
      DTM  2  1                ANN  ESTD0AA
      DTM  4  1                ANN  ECLS10AJ
      DTM  4  5                ANN  ECLS10AK
      DTM  5  1                ANN  ECLS20AP
      DTM  5  3                ANN  ECLS20AQ
      DTM  5  5                ANN  ECLS20AR
      DTM  5  7                ANN  ECLS20AS
      DTM  6  1                ANN  ECLS20AT
      DTM  6  3                ANN  ECLS20AU
      DTM  6  5                ANN  ECLS20AV
      DTM  6  7                ANN  ECLS20AW
      DTM  7  1                ANN  ESTD0AA
      DTM  8  1                ANN  ESTD0AA
      DTM  9  1                ANN  ESTD0AA
      DTM 10  1                ANN  ESTD0AA
      DTM 11  1                ANN  ESTD0AA
BOTTOM

```

- 3 Note the DTM that contains the announcements (ANN) that have faults. Continue if this is a new recording.
- 4 To quit Table EDRAMINV, type
- >QUIT**
- and press the Enter key.
- 5 To access the TTP level of the MAP display, type
- MAPCI;MTC;TRKS;TTP**
- and press the Enter key.

Reloading factory-produced voice files to EDRAM (continued)

- 6 To create a posted set of DTM circuits, type

>POST TM DTM dtm_no

and press the Enter key.

where

dtm_no is the number of the affected DTM, normally indicated by a log or an alarm

Example input:

>POST TM DTM 4

Example of a MAP response:

```

POST      7  DELQ          BUSYQ          DIG
TTP      6-004
CKT TYPE      PM NO.          COM LANG          STA S R  DOT TE  RESULT
ANN          DTM      4  2  MCA          2  IDL

```

- 7 To busy the DTM circuit in the control position, type

>BSY

and press the Enter key.

Example of a MAP response:

```

POST      7  DELQ          BUSYQ          DIG
TTP      6-004
CKT TYPE      PM NO.          COM LANG          STA S R  DOT TE  RESULT
ANN          DTM      4  2  MCA          2  MB

```

- 8 To post the next DTM circuit, type

>NEXT

and press the Enter key.

Reloading factory-produced voice files to EDRAM (continued)

- 9 Repeat steps 6 and 7 until all the posted DTM circuits are busy.

Example of a MAP response:

NO CKT, SET IS EMPTY

- 10 To access the PM level of the MAP display, type

>PM

and press the Enter key.

- 11 To post the DTM, type

>POST DTM dtm_no

and press the Enter key.

where

dtm_no is the DTM number

Example input

>POST DTM 4

Example of a MAP response:

DTM 4 InSv

- 12 To busy the DTM, type

>BSY

and press the Enter key.

- 13 To test the DTM, type

>TST

and press the Enter key

If the TST command	Do
passes	step 18
fails	step 14

Reloading factory-produced voice files to EDRAM (continued)

14



CAUTION

Loss of recording device service

The EDRAM files take up to 15 min to load from tape or disk. Before you use the LOADPM command, make sure that the recording device that contains the EDRAM files is available for this process.



CAUTION

Loss of recording device service

The EDRAM files take up to 15 min to load from tape or disk. Before you use the LOADPM command, make sure that the recording device that contains the EDRAM files is available for this process.

15 To access the disk utility, type

DISKUT

and press the Enter key.

16 To list the files in the disk volume that contains the voice files and the PM load file, type

LFvolume_name

and press the Enter key.

Example input:

LFS00DPMLOADS

Reloading factory-produced voice files to EDRAM (continued)

- 17 To load the DTM, type

LOADPM

and press the Enter key.

Example of a MAP response:

DTM 4 LoadPM Passed

Note: The LOADPM command downloads the EDRAM application firmware and the voicefiles.

If the LOADPM	Do
passes	step 18
fails	step 26

- 18 To return the DTM to service, type

>RTS

and press the Enter key.

Example of a MAP response:

DTM 4 Rts Passed OK.

- 19 To test the DTM, type

>TST

and press the Enter key.

If the TST command	Do
passes	step 20
fails	step 26

- 20 To access the TTP level of the MAP display, type

>TRKS;TTP

and press the Enter key.

- 21 To post a DTM circuit, type

>POST TM DTM dtm_no

and press the Enter key.

where

Reloading factory-produced voice files to EDRAM (end)

dtm_no is the number of the affected EDRAM

Example input

>POST TM DTM 4

Example of a MAP response:

```
POST      7  DELQ          BUSYQ          DIG
TTP  6-004
CKT TYPE      PM NO.          COM LANG          STA S R
DOT TE  RESULT
ANN      DTM    4  2  MCA          2  MB
```

22 To return the posted DTM circuit to service, type

>RTS

and press the Enter key.

Example of a MAP response:

```
DTM 4 Rts Passed OK.
```

23 To post the next DTM circuit, type

>NEXT

and press the Enter key.

24 Repeat steps 22 and 23 until all the DTM circuits are returned to service.

25 To return to the CI level of the MAP, type

QUIT ALL

and press the Enter key.

Go to step 27.

26 For additional help, contact the next level of support.

27 The procedure is complete.

Uploading EDRAM files to a storage device

Application

Use this procedure to upload files from the EDRAM to a storage device. You can record only customer-recorded announcements.

Definition

You can backup EDRAM files when an EDRAM failure occurs.

Common procedures

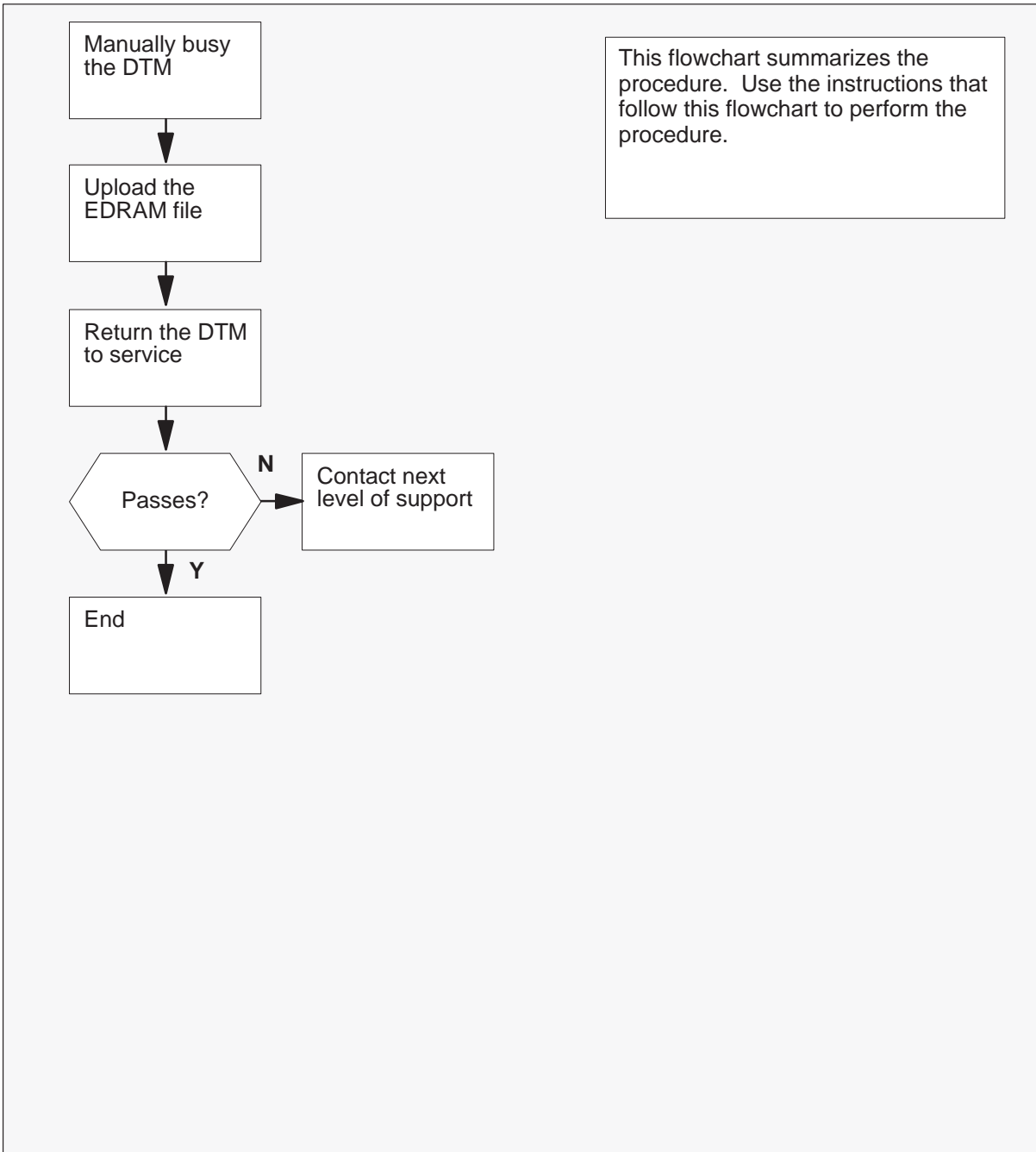
There are no common procedures.

Action

This procedure contains a summary flowchart and a list of steps. Use the flowchart to review the procedure. Follow the steps to perform the procedure.

Uploading EDRAM files to a storage device (continued)

Summary of Uploading EDRAM files to a storage device



Uploading EDRAM files to a storage device (continued)

Uploading EDRAM files to a storage device

At the MAP terminal

- 1 To access the PM level of the MAP display, type

>MAPCI;MTC;PM

and press the Enter key.

Example of a MAP display:

	SysB	ManB	OffL	CBsy	ISTb	InSv
PM	0	1	2	0	4	9

- 2 To post the DTM that contains the EDRAM files, type

>POST DTM dtm_no

and press the Enter key.

where

dtm_no is the number of the DTM (0 to 63)

Example input:

>POST DTM 3

Example of a MAP response:

DTM	3	InSv
-----	---	------

- 3 To manually busy the DTM, type

>BSY

and press the Enter key.

If the BSY command	Do
passes	step 5
other than listed here	step 4

- 4 To force the DTM to manual busy, type

>BSY FORCE

and press the Enter key.

Uploading EDRAM files to a storage device (continued)

- 5 To determine the index number of the announcement file to be uploaded, type

>QUERYPM

and press the Enter key.

Example of a MAP response:

```

PM TYPE: DTM  PM NO.: 3  NODE NO.: 128
PM_STATUS: ManB  NODE_STATUS: MAN_BUSY,FALSE,  CHKSUM: #0889
PP LOAD:  VALID  PP EXECS:  VALID  FNAME:  EDRMAC07
PMS EQUIPPED: 75  PM INT. #: 21
  Site Flr RPos  Bay_id  Shf  Description      Slot      EqPEC
HOST 01  E06  TME 000   32  MTM : 006      10      1X80AA
TM Entries: 0 TO 25
DTM 3 Query Ann File  Passed.
      *** ANNOUNCEMENT FILES ***
1:  ECLS10AJ  2:  ECLS10AJ  3:  NO_LOAD   4:  NO_LOAD
5:  ECLS10AK  6:  ECLS10AK  7:  NO_LOAD   8:  ANNTONE
    
```

- 6 To upload the EDRAM file to the storage device, type

>UPLOAD file_index file_name device_name

where

file_index is the number of the announcement file to be uploaded (1 to 8) from step 5

file_name is the name of the announcement file (8 characters maximum)

device_name is the name of the storage device (SFDEV, disk-volume, or 9-track tape driver)

Example input:

>UPLOAD 5 anntone D010EDRAM

Note: The MAP display can include status indicators like OPEN LINK, INFORM PM, and UPLOAD: 45K. These indicators show the development of the UPLOAD command and do not require action.

If the MAP response includes	Do
UPLOAD passed	step 13
Cannot close the file	step 7
Resources not available	step 7
PROM file cannot load	step 9
File empty	step 10
Other than listed here	step 19

Uploading EDRAM files to a storage device (continued)

- 7 You cannot upload the file to the specified device. Determine if you tried to upload the file to each of the devices.

If you	Do
have not tried to upload the file to each of the devices	step 8
have tried to upload the file to each of the devices	step 19

- 8 Go to step 6 and try to upload the file to a different device.
- 9 You cannot upload a file that is on a PROM. Verify that the file is in RAM.

If the file	Do
is in RAM	step 11
is on a PROM	step 19

- 10 You cannot upload a file that is not present.

If the file	Do
is in RAM	step 11
on a PROM	step 19

- 11 Go to step 6. To upload the file, use the index number of a file that is in RAM.
- 12 Datafill Table EDRAMINV with the uploaded FILENAME. Keep the filenames in the original card order.
- Example:* if the file was uploaded from card 1 DTM 3, enter Table EDRAMINV as: DTM 3 1 ANN file_name.

Uploading EDRAM files to a storage device (continued)



CAUTION

Edraminv Datafill

If you do not datafill Table EDRAMINV and DTM is reloaded, the system erases all custom announcements.



CAUTION

Edraminv Datafill

If you do not enter Table EDRAMINV and DTM is reloaded, the system erases all custom announcements.

- 13 To return the DTM to service, type
>RTS
and press the Enter key.

If the RTS command	Do
passes	step 19
fails	step 14

- 14 To access the EDRAM recording utility, type
>DRAMREC
And press the ENTER key.

Example of a MAP response:

DRAM:

Uploading EDRAM files to a storage device (end)

15 Type

>DISPLAY edram_no card_no

and press the Enter key.

where

edram_no is the number of the EDRAM controller

card_no is the RAM card number that from which the announcement file
uploaded

Example input:

>DISPLAY 4 2

Example of a MAP response:

Card 2	RAM Space:	MAX CONTIG 9	TOTAL 9
PHRASE_EXT	PHRASE_INT	LENGTH	
ANN0	9	5	
ANN1	14	7	
ANN2	21	10	

16 Record the PHRASE_INT and LENGTH values for future reference.

17 To quit the EDRAM recording utility, type:

>QUIT

and press ENTER.

18 For additional help, contact your next level of support.

19 The procedure is complete.

Reloading custom announcements to EDRAM

Application

Use this procedure to load enhanced digital recorded announcement machines (EDRAM) again with custom announcements that were uploaded earlier to a storage device.

Definition

If an EDRAM power failure occurs, use this procedure to reload uploaded custom announcement files.

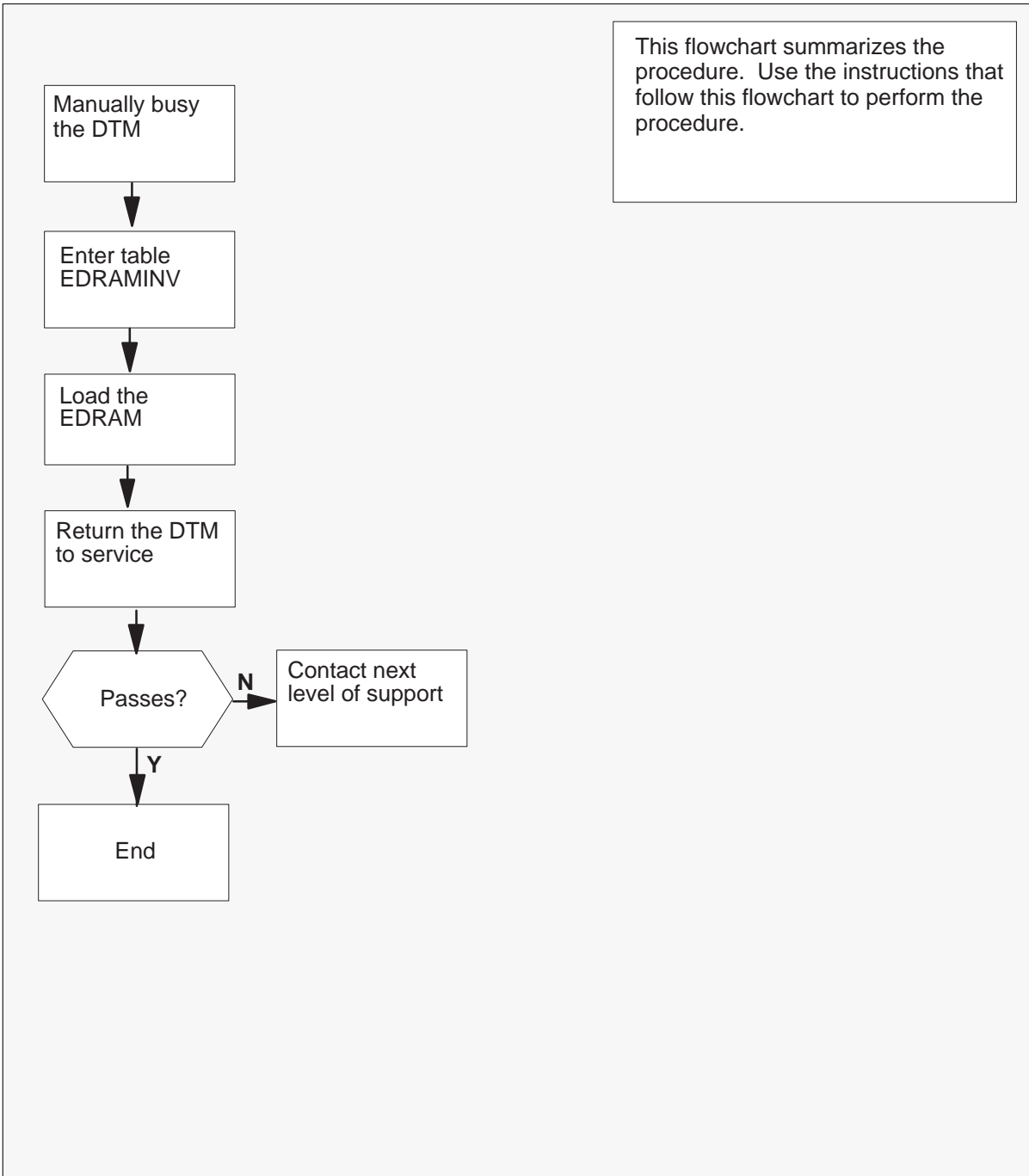
Common procedures

There are no common procedures.

Action

This procedure contains a summary flowchart and a list of steps. Use the flowchart to review the procedure. Follow the steps to perform the procedure.

Note: You can load uploaded custom announcement files to cards entered in Table DRAMS as RAM. To perform this action, Table EDRAMINV must contain the file names of the uploaded files. For peripheral module loads EDMAD05 or later, custom announcement files must be reloaded to cards datafilled in Table DRAMS as RAM.

Reloading custom announcements to EDRAM (continued)**Summary of Reloading uploaded custom announcements to EDRAM**

Reloading custom announcements to EDRAM (continued)

Reloading uploaded custom announcements to EDRAM



WARNING

Loss of announcement services

This procedure removes the EDRAM from service. Perform this procedure during periods of low traffic. When deleting entries from Table DRAM, the DRAM card must be in the offline (OFFL) state. The state of DRAM trunk group must be in-service busy (INB).



WARNING

Loss of announcement services

This procedure removes the EDRAM from service. Perform this procedure during periods of low traffic. When deleting entries from Table DRAM, the DRAM card must be in the offline (OFFL) state. The state of DRAM trunk group must be in-service busy (INB).



WARNING

Corruption of custom announcement files

If you perform an EDRAM trunk group diagnostic test before you assign internal phrases, you will corrupt the custom announcement file. Complete the following procedure before you perform an EDRAM trunk group diagnostic test.



WARNING

Corruption of custom announcement files

If you perform an EDRAM trunk group diagnostic test before you assign internal phrases, you will corrupt the custom announcement file. Complete the following procedure before you perform an EDRAM trunk group diagnostic test.

Reloading custom announcements to EDRAM (continued)

At the MAP terminal

- 1 To access the PM level of the MAP display, type

>MAPCI;MTC;PM

and press the Enter key.

Example of a MAP display:

	SysB	ManB	OffL	CBsy	ISTb	InSv
PM	0	1	2	0	4	9

- 2 To post the DTM where you will load the custom announcement files, type

>POST DTM edram_no

and press the Enter key.

where

edram_no is the DTM number (0 to 63)

Example input

>POST DTM 3

Example of a MAP response:

DTM	3	InSv
-----	---	------

- 3 To manually busy the DTM, type

>BSY

and press the Enter key.

- 4 The next action depends on if the uploaded (source) file name is datafilled in Table EDRAMINV.

If the file name	Do
is datafilled in Table EDRAMINV	step 8
is not datafilled in Table EDRAMINV	step 5

- 5 To access Table EDRAMINV, type

>TABLE EDRAMINV

and press the Enter key.

Reloading custom announcements to EDRAM (continued)

- 6 To add the custom announcement file name where this filename will load, type

>ADD DTM dtm_no card_no ANN filename

and press the Enter key.

where

dtm_no is the number of the DTM (0 to 63)

card_no the number of the card to which the announcement files load

filename is the name of the uploaded announcement file

- 7 To quit Table EDRAMINV, type

>QUIT

and press the Enter key.

- 8 Locate the storage device that contains the DTM load file and the uploaded announcement file.

- 9 The next action depends on the type of device that contains the DTM load file.

If the device	Do
is a system load module (SLM)	step 10
is a disk drive unit (DDU)	step 13
is anything else	step 30

- 10 To access the disk utility, type

>DISKUT

and press the Enter key.

- 11 To list the files on the disk volume, type

>LF vol_name

and press the Enter key.

where

vol_name is the name of the SLM disk volume that contains the DTM load file

Example input

>LF S00DXPM03

Note: In the example, the DTM load file is stored in SLM disk volume S00DXPM03.

Reloading custom announcements to EDRAM (continued)

12 Go to step 15.

13 To access the disk utility, type

>DSKUT

and press the Enter key.

14 To list the files on the disk volume, type

>LF vol_name

and press the Enter key.

where

vol_name is the name of the DDU disk volume that contains the DTM load file

>LF D00XPM03

Note: In the example, the DTM load file stores in DDU disk volume D00XPM03.

15 To load the DTM, type

>LOADPM

and press the Enter key.

Example of a MAP response:

DTM 4 LoadPM passed

If the LOADPM command	Do
passes	step 16
fails	step 30

16 To quit the disk utility, type

>QUIT

and press the Enter key.

17 To access the DRAM recording utility, type

>DRAMREC

and press the Enter key.

Reloading custom announcements to EDRAM (continued)

- 18 The next action depends on if the custom announcements are loaded from another DTM.

If the custom announcements	Do
loaded from another DTM	step 19
did not load from another DTM	step 21

Reloading custom announcements to EDRAM (continued)

- 19 To assign the internal phrase number and length to the first phrase, type

**>RECORD phrasename length PAD dram_no card_no phrase_int
FORCE**

and press the Enter key.

where

phrasename is the name of the phrase
length is the length of the phrase in seconds
dram_no the number of the DTM controller
card_no the number of the card on which the announcements are
loaded
phrase_int internal phrase number as noted from the upload session

Example input

>RECORD ANNO 10 PAD 3 1 9 FORCE

Example of a MAP response:

PHRASE RECORDED ON CARD :1

Note: If you upload the announcement file from a different card on the same DTM, use a different phrase name when you enter the RECORD command. For example, an announcement file with the phrase TEST1 is uploaded from card 2 of DTM 7. The announcement file is reloaded to card 3 of DTM 7. Use the phrase name TEST2 when you enter the RECORD command to upload the phrase to card 3 of DTM 7.

- 20 Repeat step 19 until all the phrases are assigned.

- 21 To return the DTM to service, type

>RTS

and press the Enter key.

- 22 To test the DTM, type

>TST

and press the Enter key.

If the TST command	Do
passes	step 23
fails	step 30

Reloading custom announcements to EDRAM (continued)

23 To connect a headset to the DTM, type

>CONNECT dram_no HSET_clli member_no

and press the Enter key.

where

dram_no is the number of the DTM controller

hset_clli is the common language location identifier (CLLI) of the headset trunk (Table CLLI)

member_no is the member number assigned to the headset trunk (Table TRKMEM)

Example input

>CONNECT 0 HSET 0

Example of a MAP response:

CONNECTION MADE

24 To test the first custom announcement, type

>PLAYBACK dtm_no phrasename

and press the Enter key.

where

dtm_no is the number of the DTM controller

phrasename is the name of the phrase

If the test	Do
passes	step 25
fails	step 30

25 Repeat step 25 until all the phrases are tested.

26 To disconnect the headset from the DTM, type

>DISCONNECT

and press the Enter key.

27 To quit the EDRAM recording utility, type

>QUIT

and press the Enter key.

Reloading custom announcements to EDRAM (end)

- 28 To post the EDRAM circuit group, type

>TRKS;TTP;POST G dram_clli

and press the Enter key.

where

dram_clli is the CLLI of the EDRAM controller

Example input

POST G EDRAM4

- 29 To test the trunk circuit, type

>TST

and press the Enter key.

If the TST command	Do
passes	step 31
fails	step 30

- 30 For additional help, contact your next level of support.

- 31 You have completed this procedure.

Recording announcements after a power or card failure

Application

Use this procedure to record custom announcements on the digital recorded announcement machine (DRAM) after power or card failure.

Definition

The system stores DRAM phrases digitally on NT1X76, NT1X77 or NT1X79 cards. Each card has a single trunk appearance. The DRAM controller is an NT1X75 card. It also has a single trunk appearance.

The NT1X76 card stores factory recorded phrases in programmable read only memory (PROM). Announcement trouble associated with this card cannot be fixed by manually re-recording the announcements. Replace the card.

The NT1X77 and NT1X79 cards store custom-recorded phrases in:

- random access memory (RAM)
- electrically erasable programmable read-only memory (EEPROM)

You can install announcements or correct existing announcements by manually recording or re-recording the announcements.

Common procedures

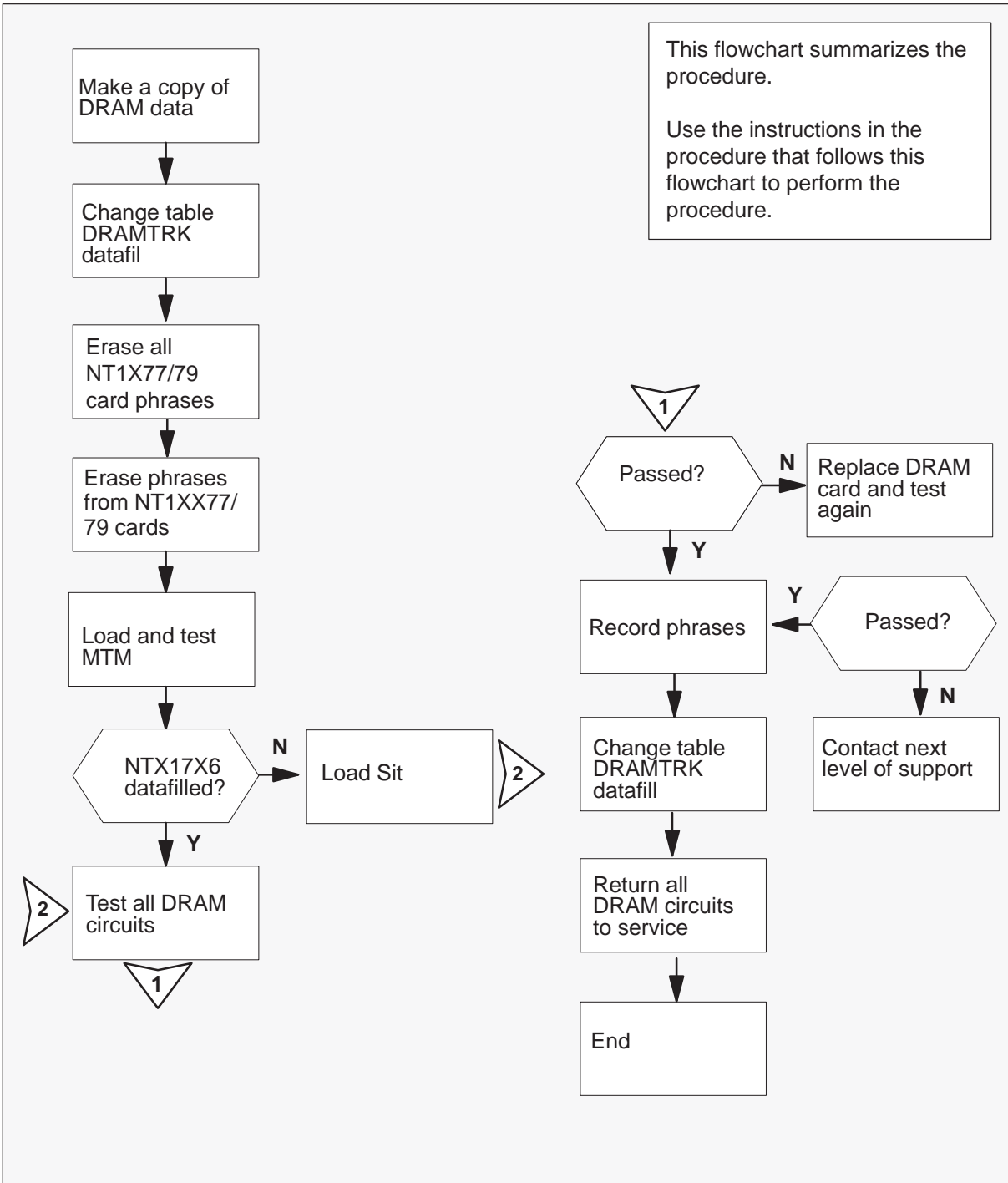
None.

Action

The following flowchart is a summary of this procedure. Use the instructions in the step-action table that follows the flowchart to perform the procedure.

Recording announcements after a power or card failure (continued)

Summary of recording announcements after a power or card failure



Recording announcements after a power or card failure (continued)

At the MAP terminal

- 1 Print a copy of table DRAMTRK, table DRAMS. Print a copy of the phrase contents of the faulty DRAMs (the DRAMs affected by the power or card failure) as described in steps 3 through 6.
- 2 To direct the MAP output to the printer, type
>SEND printer_name
and press the Enter key.

where
printer name is the name of the printer connected to the MAP terminal
- 3 To display the contents of table DRAMTRK, type
>TABLE DRAMTRK;FORMAT PACK:LIST ALL
and press the Enter key.

Printer response:
printing table DRAMTRK
- 4 To quit table DRAMTRK, type
>QUIT
and press the Enter key.
- 5 To display the contents of table DRAMS, type
>TABLE DRAMS;FORMAT PACK;LIST ALL
and press the Enter key.

Printer response:
printing table DRAMS
- 6 To quit table DRAMS, type
>QUIT
and press the Enter key.
- 7 To access the DRAM recording utility, type
>DRAMREC
and press the Enter key.

Recording announcements after a power or card failure (continued)

- 8 To display the contents of the phrases in the faulty DRAMs, type
>DISPLAY dram_no
and press the Enter key.
where
dram no is the DRAM number of the DRAM controller affected by
the power or card failure (table DRAMS)
Printer response:
printing phrase contents
- 9 To quit the DRAM recording utility, type
>QUIT
and press the Enter key.
- 10 To direct the output back to the MAP terminal , type
>SEND PREVIOUS
and press the Enter key.
- 11 To access the TTP level of the MAP display, type
>MAPCI;MTC;TRKS;TTP
and press the Enter key.
- 12 To post the MTM containing the faulty DRAM, type
>POST TM MTM tm_number
and press the Enter key.
where
tm number is the number of the MTM containing the faulty DRAM
(table DRAMS)
- 13 To set all circuits to the in-service busy (INB) state, type
>BSY ALL;BSY INB ALL
and press the Enter key.

Recording announcements after a power or card failure (continued)

- 14 To post the faulty DRAM, type

>POST G dram_clli

and press the Enter key.

where

dram_clli is the common language location identifier (CLLI) of the DRAM controller affected by the power or card failure (table DRAMS)

example input

>POST G DRAM0

example of a MAP response

```
LAST CKTN = 4
POSTED CKT IDLED
SHORT CLLI IS: DRAM0
OK,CKT POSTED
```

- 15 To set all DRAM cards to the INB state, type

>BSY ALL;BSY INB ALL

and press the Enter key.

example of a MAP response

```
OK, POST SET IS SET IN BSYQ
OK, POST SET IS SET IN BSYQ
```

- 16 To access table DRAMTRK, type

>TABLE DRAMTRK;FORMAT PACK

and press the Enter key.

- 17 To position on an announcement track associated with the faulty MTM, type

>POS antrack

and press the Enter key.

where

antrack is a track of ANNMEM associated with the faulty MTM (table ANNMEMS)

example input

>POS CNATEST 0

example of a MAP response

```
CNATEST 0 ( SILENCE) ( CNAENG) $
```

Recording announcements after a power or card failure (continued)

- 18 To change the phrase list of the track to SILENCE, type

>OVE;CHA PHSLIST SILENCE

and press the Enter key.

example input

>OVE;CHA PHSLIST SILENCE

example of a MAP response

```
TUPLE TO BE CHANGED:CNATEST 0
CNATEST 0 ( SILENCE)$
ENTER Y TO CONFIRM, N TO REJECT OR E TO EDIT.
```

- 19 To confirm the change, type

>Y

and press the Enter key.

example of a MAP response

```
TUPLE CHANGED
JOURNAL FILE INACTIVE
```

- 20 Determine if you changed the phrase lists of all the announcement tracks associated with the faulty MTM to SILENCE.

If you have	Do
changed the phrases to SILENCE	step 21
not changed the phrases to SILENCE	step 17

- 21 To quit table DRAMTRK, type

>QUIT TABLE

and press the Enter key.

- 22 To access the DRAM recording utilit, type

>DRAMREC

and press the Enter key.

Recording announcements after a power or card failure (continued)

- 23 To erase a phrase from the NT1X77/NT1X79 (RAM/EEPROM) cards associated with the faulty DRAM, type

>ERASE dram_no phrase_name

and press the Enter key.

where

dram_no is the DRAM number of the DRAM controller affected by the power or card failure (table DRAMS)

phrase_name is the name of the phrase

- 24 Determine if you erased all the phrases on the NT1X77/NT1X79 cards

If you	Do
erased the phrases	step 25
did not erase the phrases	step 23

- 25 To quit the DRAM recording utility, type

>QUIT

and press the Enter key.

- 26 To access the PM level of the MAP display, type

>MAPCI;MTC;PM

and press the Enter key.

- 27 To post the faulty MTM, type

>ERASE dram_no phrase_name

and press the Enter key.

where

tm number is the number of the MTM that contains the faulty DRAM

- 28 To busy the MTM in the control position, type

>BSY

and press the Enter key.

example of a MAP response

MTM 4 Bsy

OK.

- 29 To access the disk utility, type

>DISKUT

and press the Enter key.

Recording announcements after a power or card failure (continued)

- 30** Locate the device that contains the load file for the faulty MTM and list the files on the device.

For example, MTM loadfile MTMKA02 has the faulty MTM on the device S00DXPM03. To list the files on the device, type

>LFS00DXPM03

and press the Enter key.

- 31** To reload the MTM in the control position, type

>LOADPM

and press the Enter key.

- 32** To test the MTM in the control position, type

>TST

and press the Enter key.

example of a MAP response

```
OSvce Tests Initiated
MTM 4, Chksum = #0240, Agrees.
OK.
```

- 33** To return the MTM in the control position to service, type

>RTS

and press the Enter key.

example of a MAP response

```
MTM 4 Rts Passed
OK.
```

- 34** Determine if the cards are datafilled.

If NT1X76 cards	Do
are datafilled	step 35
are not datafilled	step 37

- 35** To access the DRAM recording utility, type

>DRAMREC

and press the Enter key.

Recording announcements after a power or card failure (continued)

- 36 To load the special information tone (SIT), type
>SITLOAD dram_no
and press the Enter key.
where
dram_no is the DRAM number of the DRAM controller affected by the power or card failure (table DRAMS)
- 37 To quit the DRAM recording utility, type
>QUIT
and press the Enter key.
- 38 To access theTTP (trunks test position) level of the MAP display, type
>TRKS;TTP
and press the Enter key.
- 39 To post the faulty DRAM, type
>POST G dram_clli
and press the Enter key.
where
dram_clli is the CLLI of the DRAM controller affected by the power or, card failure (table DRAMS)
- 40 To bring the next DRAM card to the control position, type
>NEXT
and press the Enter key.
- 41 To test the circuit in the control position, type
>TST
and press the Enter key.
example of a MAP response
TEST OK
BRAMLAB_07BJ CM ***+ TRK107 JAN29 13:57:04 4300 PASS
DRAM0 1
- 42 Determine if you tested all the circuits

If you	Do
tested all the circuits	step 43
did not test all the circuits	step 40

Recording announcements after a power or card failure (continued)

- 43 To bring the DRAM controller (NT1X75 card) to the control position, type
>POST G dram_cli
 and press the Enter key.
- where*
- dram_cli is the CLLI of the DRAM controller affected by the power or, card failure (table DRAMS)

- 44 To test the DRAM controller in the control position, type
>TST
 and press the Enter key.

- 45 Determine if all the TST and RTS commands passed.

If all TST and RTS commands	Do
passed	step 47
did not pass	step 46

- 46 Repeat the cards that failed the TST or RTS commands and repeat the TST or RTS commands.
- Note:** Refer to *Card Replacement Procedures*, for the required card replacement procedures

If all TST and RTS commands	Do
passed	step 47
did not pass	step 62

- 47 To quit the MAP display, type
>QUIT
 and press the Enter key.
- 48 To access the DRAM recording utility, type
>DRAMREC
 and press the Enter key.

Recording announcements after a power or card failure (continued)

- 49 To connect an idled headset to the faulty DRAM controller circuit , type

>CONNECT dram_no hset_clli member_no

and press the Enter key.

where

dram_no is the number of the DRAM controller
 hset_clli the CLLI of the headset trunk (table CLLI)
 member no the member number assign to the headset trunk
 (table TRKMEM)

example input

>CONNECT 0 HSET 0

example of a MAP response

CONNECTION MADE

- 50 To record a phrase, according to the hard copy of the phrase contents obtained in step 8 , type

>RECORD phrase_name length_PAD

and press the Enter key.

where

phrase name is the name of the phrase
 length is the length of the phrase in seconds

example input

>RECORD VCAENG 10 PAD

- 51 Listen for two beeps (prompt tones)
- 52 Determine if you are using a customer-provided tape recorder.

If a customer-provided tape recorder is	Do
being used	step 53
not being used	step 56

- 53 Put the transmitter over the speaker of the customer-provided tape recorder and REL.

Note: This step only applies to customers equipped with a tape recorder

- 54 When the recording is complete, push the PAUSE button.

Note: This step only applies to customers equipped with a tape recorder

Recording announcements after a power or card failure (end)

55 Set the customer supplied tape recorder up on the next recording. Go to step 57.

Note: This step only applies to customers equipped with a tape recorder

56 Speak into HSET to record the phrase

57 Determine if you recorded all the phrases.

If you	Do
recorded all the phrases	step 58
did not record all the phrases	step 50

58 Change all the tuples in table DRAMTRK associated with the faulty DRAM according to the hardcopy of table DRAMTRK as obtained in step 3.

59 To access the TTP level of the MAP display and return all the trunks to service, type

>MAPCI;MTC;TRKS;TTP;POST TM MTM tm_number;next;

>BSY ALL;RTS ALL

and press the Enter key.

where

tm_number is the number of the MTM that contains the faulty DRAM

60 Perform test calls.

61 Determine if you restored all the faulty DRAMS.

If you	Do
have restored all faulty DRAMS	step 63
have not restored all faulty DRAMS	step 11

62 For additional help, contact the next level of support.

63 You have completed this procedure.

Finding DRAM and EDRAM information

This chapter lists other documentation with information about the digital recorded announcement machine (DRAM) and the enhanced digital recorded announcement machine (EDRAM). This chapter includes the following sections:

- Administration
- Maintenance
- Planning and Engineering
- Translations

Administration

Use administration documents for the following:

- to establish and verify the accuracy of the DRAM and EDRAM database
- to monitor service performance
- to indicate the procedures required to gather and validate system operational measurement data
- to indicate the procedures required to evaluate system performance and capacity
- to make sure monitor use and operation of DRAM and EDRAM is operational

Table 13-1
Administration documents

Title
<i>Feature Description Manual</i>
<i>Operational Measurements (OM) Reference Manual</i>

Maintenance

Use maintenance documents to keep DRAM and EDRAM operating normally. Also, you can use maintenance documents to restore DRAM and EDRAM to normal operation when DRAM and EDRAM fail. These documents contain procedures and descriptions required to make sure DRAM and EDRAM hardware and software works. These procedures and descriptions include:

- operation and maintenance methods
- procedures and data for protective and corrective maintenance
- methods to test and validate DRAM and EDRAM performance

The following table lists documents that contain DRAM and EDRAM maintenance information.

Table 13-2
Maintenance documents

Document number	Document Title
	<i>Lines, Trunks, and Peripherals Peripheral Module Alarm and Performance Monitoring Procedures</i>
	<i>Locating and Clearing Trouble Procedures</i>
	<i>Card Replacement Procedures</i>
297-1001-592	<i>Peripheral Module Maintenance Guide</i>
	<i>Feature Description Manual</i>
	<i>Hardware Description Manual</i>
297-1001-822	<i>DMS-100 Family Commands Reference Manual</i>
	<i>Log Report Reference Manual</i>

Planning and engineering

Use planning and engineering documents to size and order DRAM and EDRAM.

These documents provide the following information:

- equipment physical characteristics
- equipment compatibilities

- parameters
- test equipment needs
- ordering information
- detailed traffic descriptions, including engineering procedures and algorithms for a first and a growth engineering job

These documents also can contain detailed traffic descriptions that include engineering procedures and algorithms for a first and a growth engineering job.

The following table lists documents that contain DRAM and EDRAM planning and engineering information.

Table 13-3
Planning and engineering documents

Document number	Document Title
	<i>Feature Description Manual</i>
297-1001-450	<i>DMS-100 Provisioning Manual</i>
	<i>Office Parameters Reference Manual</i>

Translations

Translations documents provide the instructions, procedures and forms to prepare and manage input data. This data includes information on:

- lines
- trunks
- service circuits
- customer features
- office information, like traffic measurement schedules
- routing and charging characteristics

Translations documents also provide information and instructions to create, verify, retrieve, and change the data.

The following table lists documents that contain DRAM and EDRAM translations information.

Table 13-4
Translations reference documents

Document number	Document Title
	<i>Feature Description Manual</i>
	<i>Translations Guide</i>
	<i>Office Parameters Reference Manual</i>

Documentation key

The following table lists the Northern Telecom publications (NTP) in numeric order.

Table 13-5
Documentation key

Document number	Document Title	Abstract
297-1001-450	<i>DMS-100 Provisioning Manual</i>	Provides information required to provision the DMS-100 Family. For example, you can use this document to calculate the components required to accommodate the termination of a switch. Use this document to calculate the traffic capacity of a switch. Take into consideration the grade of service.
297-1001-451	<i>Translations Guide</i>	Describes the office-dependent data for all DMS switching units. The system stores office-dependent data in a series of data store look-up tables. Use these look-up tables together with software programs and circuits to advance the call through different stages of call processing. The data schema describes these look-up tables along with look-up table fields and correct entries.
—continued—		

Table 13-5
Documentation key (continued)

Document number	Document Title	Abstract
	<i>Office Parameters Reference Manual</i>	Describes the office parameter data for all DMS switches. The system stores office parameter data in a series of data store look-up tables. Use these tables together with software programs and circuits to provide the switch with the parameters of the DMS features.
	<i>Lines, Trunks and Peripherals Peripheral Module Alarm and Performance Monitoring Procedures</i>	Contains alarm and performance monitoring maintenance procedures for all peripheral modules. The procedures this document describes are intended for maintenance personnel in the operating company.
	<i>Locating and Clearing Trouble Procedures</i>	Provides procedures to correct problems with the following: <ul style="list-style-type: none"> • lines • trunks • peripheral modules (PM) • input and output devices (IOD) • external subsystems • network devices that include DRAM and EDRAM
	<i>Card Replacement Procedures</i>	Provides procedures to replace cards for PMs, IODs, external subsystems, and network devices.
—continued—		

Table 13-5
Documentation key (continued)

Document number	Document Title	Abstract
297-1001-592	<i>Peripheral Module Maintenance Guide</i>	Contains maintenance information about PMs in host offices. This document contains separate sections on single-shelf PMs, dual-shelf PMs, and line concentrating modules (LCM).
	<i>Feature Description Manual</i>	Provides feature descriptions for DMS-100. These feature descriptions help operating company personnel prepare for a new BCS load. These feature descriptions explain the elements of the software features.
	<i>Hardware Description Manual</i>	Provides descriptions of DMS-100 circuit cards arranged according to product engineering codes (PEC). Maintenance and operating personnel use this manual. This document includes tables of the different types of recorded announcements.
	<i>Operational Measurements (OM) Reference Manual</i>	Contains descriptions of DMS-100 operational measurements (OM) groups. The OM groups provide information on switch performance and activity.
297-1001-822	<i>DMS-100 Family Commands Reference Manual</i>	Describes all menu commands used at a MAP terminal in a DMS-100 switch.
	<i>Log Report Reference Manual</i>	Provides information about log reports generated by the DMS-100 switches. This document includes a review of the log system and detailed log report descriptions.
—end—		

Documentation index

The following table lists the important NTPs in alphabetical order.

Table 13-6
Documentation index

Document Title	Document number	Abstract
<i>Translations Guide</i>	297-1001-451	Describes the office-dependent data for all DMS switching units. The system stores office-dependent data in a series of data store look-up tables. The system uses these tables together with software programs and circuits to advance the call through different call process stages. The data schema describes these look-up tables with look-up table fields and valid entries.
<i>Feature Description Manual</i>		Provides DMS-100 feature descriptions. Operating company personnel use this document to prepare for a new BCS load and to understand the elements of the software features.
<i>Hardware Description Manual</i>		Provides descriptions of DMS circuit cards arranged according to product engineering codes. Maintenance and operating personnel in an operating company use this manual. The manual includes tables of the different types of recorded announcements.
<i>Card Replacement Procedures</i>		Provides procedures to replace cards for PMs, IODs, external subsystems and network devices.
<i>Lines, Trunks and Peripherals Peripheral Module Alarm and Performance Monitoring Procedures</i>		Contains alarm and performance monitoring maintenance procedures for all peripheral modules. The procedures covered in this document are for operating company maintenance personnel.
<i>Locating and Clearing Trouble Procedures</i>		Provides procedures to correct trouble with lines, trunks, PMs, IODs, and network devices that include DRAM and EDRAM.
—continued—		

Table 13-6
Documentation index (continued)

Document Title	Document number	Abstract
<i>Log Report Reference Manual</i>		Provides information to help operating company personnel understand and use the log reports that the DMS-100 switches generate. This document reviews the log system and includes detailed log report descriptions.
<i>DMS-100 Family Commands Reference Manual</i>	297-1001-822	Describes all menu and non-menu commands used at a MAP terminal in a DMS-100 switch.
<i>Office Parameters Reference Manual</i>		Describes the office parameter data for all the DMS switches. The system stores office parameter data in a series of data store look-up tables. The system uses these tables together with software programs and circuits to provide the switch with the correct parameters for the DMS features.
<i>Operational Measurements (OM) Reference Manual</i>		Contains descriptions of DMS-100 OM groups. The OM groups provide information on switch performance and activity.
<i>Peripheral Module Maintenance Guide</i>	297-1001-592	Contains maintenance information about PMs located in host offices. This document contains separate sections on single-shelf PMs, dual-shelf PMs, and LCMs.
<i>DMS-100 Provisioning Manual</i>	297-1001-450	Provides information required to provision the DMS-100 Family. For example, you can use this document to calculate the number of components required to accommodate the number of terminations. You also can use this document to calculate the traffic capacity of a switch, taking into consideration the grade of service.
—end—		

Datafilling and testing tones

This chapter contains procedures to datafill and test tones. The enhanced digital recorded announcement machine (EDRAM) cards provide the test tones.

Task list

The following list names the procedures in this chapter. The names are in alphanumeric order. The left column of the list indicates the name of the procedure. The right column of the list indicates the page number for the procedure.

Procedure	page
Datafilling and testing the milliwatt tone	14-3
Datafilling and testing the receiver off-hook tone	14-9

Each procedure contains the following sections:

- explanation and information that sets context
- summary flowchart
- list of steps

Explanation and information that sets context

In each procedure, the Application, Definition, and Action paragraphs contain important notes of explanation and information that sets context. Read the Application, Definition, and Action paragraphs before you perform the procedure. The Common procedures paragraph lists the names of common procedures. Follow the common procedures when you follow the steps of the procedure. Refer to the common procedures when directed.

Summary flowchart

The summary flowchart summarizes the main actions, decision points, and paths you can take. Use the summary flowchart to prepare and review your

actions. For example, if the instructions involve another office, you can advise the office before you begin the steps to perform the procedure.

List of steps

The step-action instructions indicate how to datafill and test tones. Normally, you perform the steps in order. The steps can direct you to return to a previous step and repeat a sequence when necessary. The completion of a step can depend on previous steps. Perform the steps in order.

The list of steps provides the command syntax and machine output of the procedure.

Datafilling and testing the milliwatt tone

Application

Use this procedure to

- datafill the 102 test trunk milliwatt tones that the NT1X80 card provides
- test the 102 test trunk milliwatt tones that the NT1X80 card provides

Definition

The tone file mwttone contains the Milliwatt tones. The tone file mwttone is downloaded into one of the virtual cards entered in table DRAMS as PROM.

Common procedures

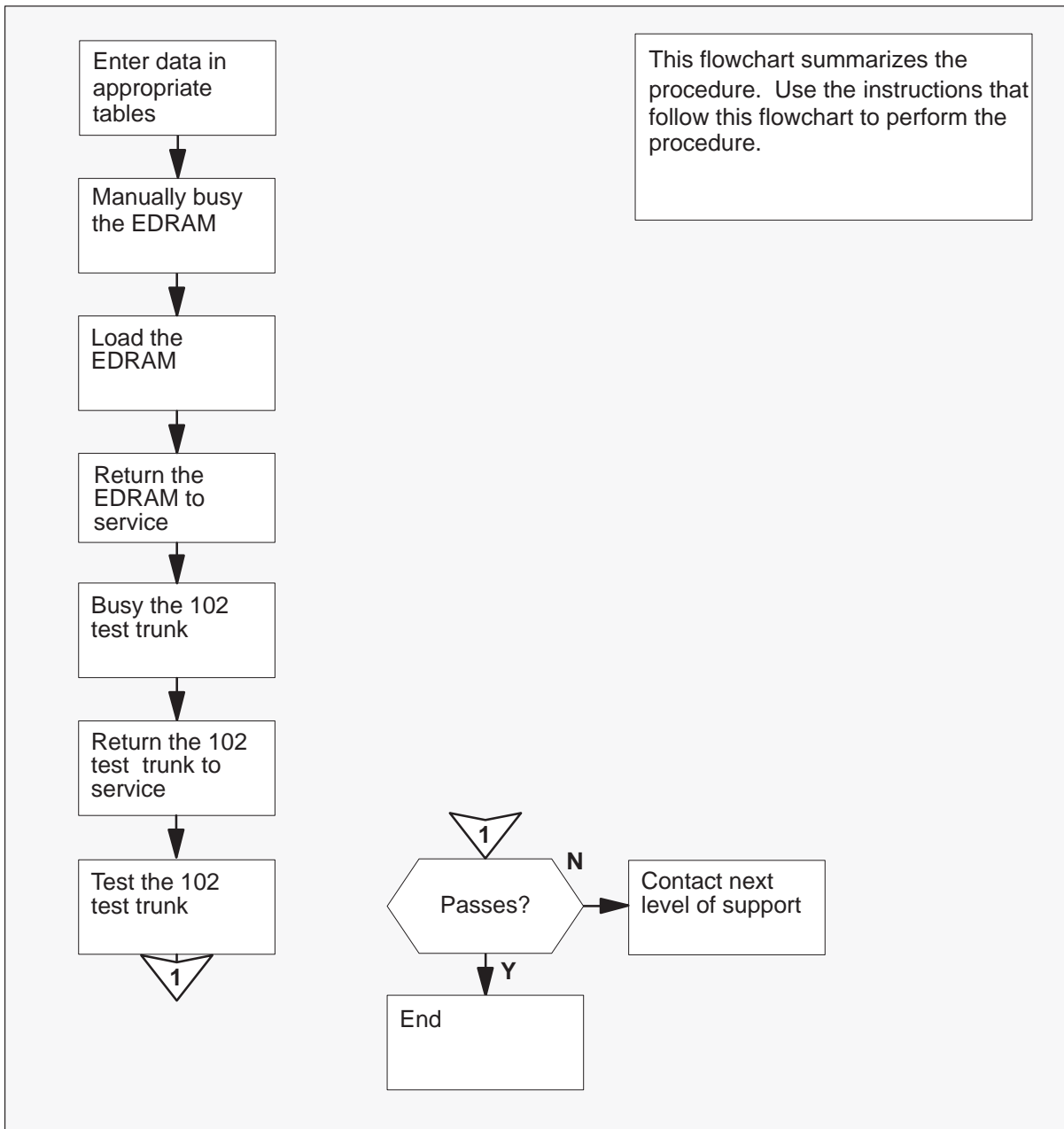
Does not apply

Action

This procedure contains a summary flowchart and a list of steps. Use the flowchart to review the procedure. Follow the steps to perform the procedure.

Datafilling and testing the milliwatt tone (continued)

Summary of Datafilling and testing the milliwatt tone



Datafilling and testing the milliwatt tone (continued)

Datafilling and testing the milliwatt tone

**WARNING****Prerequisite datafill**

You must datafill the TMINV, DRAMS, and EDRAMINV tables before you perform the following procedure.

**WARNING****Prerequisite datafill**

You must datafill the TMINV, DRAMS, and EDRAMINV tables before you perform the following procedure.

At the MAP terminal

- 1 Before you continue this procedure, make sure that you enter the following data:
 - the correct PM load in table TMINV
 - the correct card type in table DRAMS
 - at least one block of PROM in table DRAMS
 - the tone file mwttone in table EDRAMINV

Note: The *Translations Guide* contains more information on datafilling in the TMINV, DRAMS, and EDRAMINV tables. Refer to the table descriptions in the data schema section of *Translations Guide*.

- 2 Enter data in the TRKGRP table.

Datafill example:

CLLI	GRPTYP	NO	GRP	NCCLS	SPRVSN	DBLEVEL
TERM102T	TTL2	0	TLD	NCOT	TMW	1X00AB
TERM102L	TTL2	0	TLD	NCOT	LMW	1X00AB

Note 1: Enter the card code that the NT1X80 simulates. In the datafill example above, the NT1X80AA simulates the NT1X00AB card.

Note 2: The following table lists the card codes for different decibel levels.

<u>Card code</u>	<u>dB level</u>
1X00AB	0
1X00A	-10

Datafilling and testing the milliwatt tone (continued)

1X00AH	-15
1X00AG	-20
1X00AE	-20 (international)
1X00KA	0 (950 Hz tone for China)

- 3 Enter data in the TRKMEM table.

Datafill example:

CLLI	EXTRKNUM	SGRP	PMTYPE
TERM102T	0	0	DTM 0 2

Note: The system does not use circuit 0 or 16 for DTM (EDRAM/EDRAM16). The *Translations Guide* contains more information on the tables TRKGRP and TRKMEM. Refer to the table descriptions in the data schema section of *Translations Guide*.

- 4 To post the EDRAM (DTM) that contains the 102 test trunk, type **>MAPCI;MTC;PM;POST DTM dtm_no** and press the Enter key.

where

dtm_no is the DTM number for the EDRAM (0 to 63)

Example input:

>POST DTM 3

Datafill example:

DTM 3 InSv

- 5 To manually busy the EDRAM, type **>BSY** and press the Enter key.

If the BSY command	Do
passes	step 7
is other than listed here	step 6

- 6 To force the EDRAM to busy, type **>BSY FORCE** and press the Enter key.

Datafilling and testing the milliwatt tone (continued)

- 7 To load the EDRAM, type

>LOADPM

and press the Enter key.

Note: Wait for the system to load the EDRAM before you continue the procedure.

- 8 To return the EDRAM to service, type

>RTS

and press the Enter key.

- 9 To post the 102 test trunk, type

>TRKS;TTP;POST G clli

and press the Enter key.

where

cli is the common language location identifier for the 102 test trunk

- 10 To manually busy the 102 trunk, type

>BSY

and press the Enter key.

If the BSY command	Do
passes	step 11
is other than listed here	step 13

- 11 To return the 102 test trunk to service, type

>RTS

and press the Enter key.

- 12 To test the 102 test trunk, type

>TST

and press the Enter key.

Note: Each time you load an EDRAM, return the EDRAM to service. Busy the associated 102 test trunk. Return the 102 test trunk to service and test the 102 test trunk.

Datafilling and testing the milliwatt tone (end)

If the BSY command	Do
passes	step 14
is other than listed here	step 13

13 For additional help, contact the next level of support.

14 The procedure is complete.

Datafilling and testing the receiver off-hook tone

Application

Use this procedure to

- datafill the receiver off-hook tone (ROH) that the NT1X80 card provides
- test the ROH tone that the NT1X80 card provides

Definition

The tone file mwttone contains the ROH tones. The tone file mwttone is downloaded into one of the virtual cards entered in table DRAMS as PROM. Datafill ROH trunks in table STN.

Common procedures

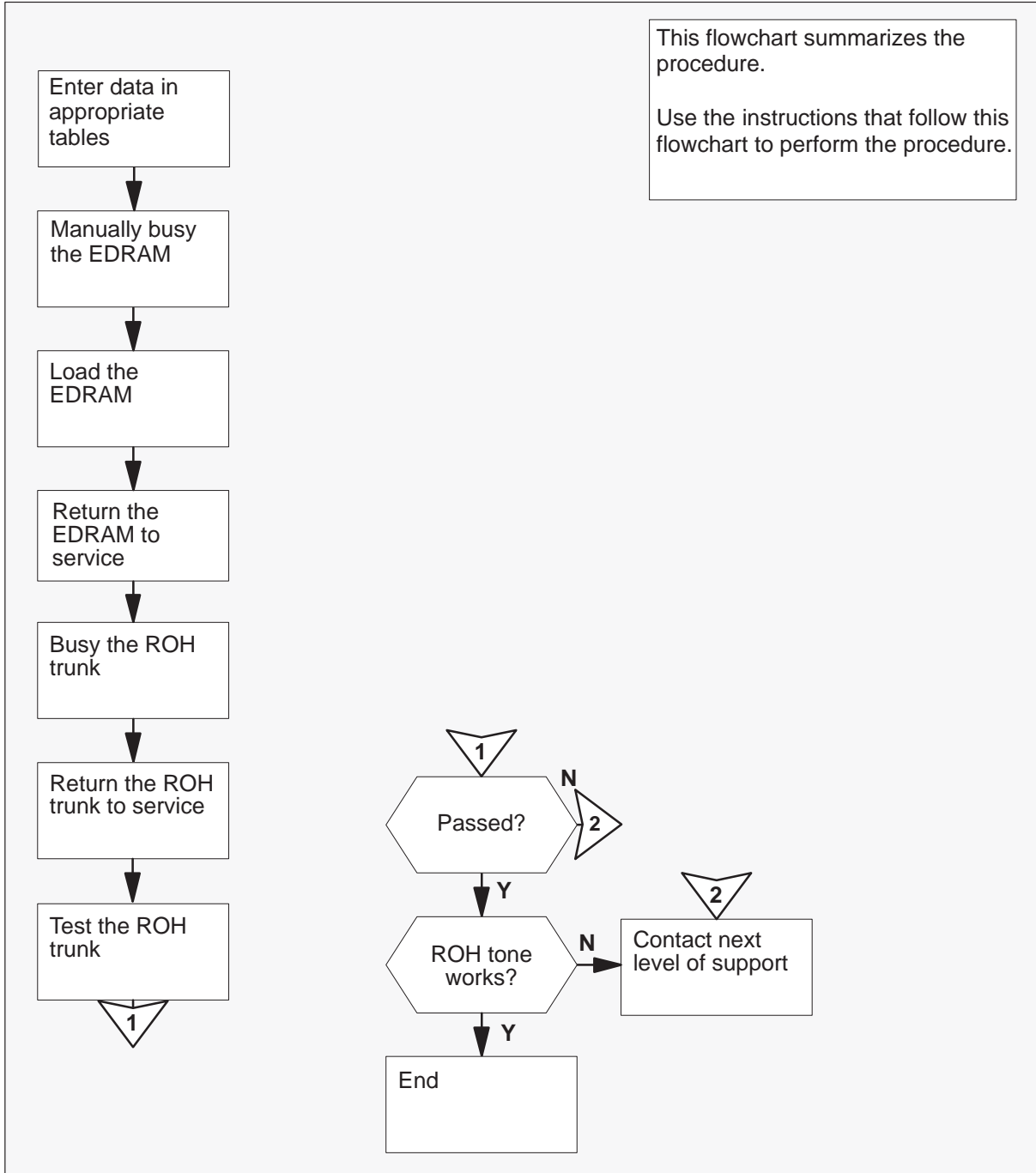
Does not apply

Action

This procedure contains a summary flowchart and a list of steps. Use the flowchart to review the procedure. Follow the steps to perform the procedure.

Datafilling and testing the receiver off-hook tone (continued)

Summary of Datafilling and testing the receiver off-hook tone



Datafilling and testing the receiver off-hook tone (continued)

Datafilling and testing the receiver off-hook tone**WARNING****Prerequisite datafill**

You must enter data in the TMINV, DRAMS, and EDRAMINV tables before you perform the following procedure.

**WARNING****Prerequisite datafill**

You must enter data in the TMINV, DRAMS, and EDRAMINV tables before you perform the following procedure.

At the MAP terminal

- 1 Before you continue this procedure, make sure that you enter the following data:
 - the correct PM load in table TMINV
 - the correct card type in table DRAMS
 - at least one block of PROM in table DRAMS
 - the tone file mwttone in table EDRAMINV

Note: The *Translations Guide* contains more information on datafilling in the TMINV, DRAMS, and EDRAMINV tables. Refer to the table descriptions in the data schema section of *Translations Guide*.

- 2 Datafill the ROH trunks in table STN.

TMTYPE	TMNO	TMCKTNO	CARDCODE	MAXCON	TRAFSNO
ROH 0	DTM 0	20	1X80AA	10	0
ROH 1	DTM 0	21	1X80AA	10	0

Note: The trunk module circuit number (field TMCKTNO) must be between 1 and 29.

- 3 To post the EDRAM (DTM) that contains the ROH tone, type


```
>MAPCI;MTC;PM;POST DTM dtm_no
```

 and press the Enter key.

Datafilling and testing the receiver off-hook tone (continued)

where

dtm_no is the DTM number for the EDRAM (0 to 63)

Example input:

>POST DTM 3

Datafill example:

DTM 3 InSv

- 4 To manually busy the EDRAM, type

>BSY

and press the Enter key.

If the BSY command	Do
passes	step 6
is other than listed here	step 5

- 5 To force the EDRAM to busy, type

>BSY FORCE

and press the Enter key.

- 6 To load the EDRAM, type

>LOADPM

and press the Enter key.

Note: Wait for the system to load the EDRAM before you continue this procedure.

- 7 To return the EDRAM to service, type

>RTS

and press the Enter key.

- 8 To Post the ROH trunk, type

>TRKS;TTP;POST G clli

and press the Enter key.

where

cli is the common language location identifier for the ROH trunk

Datafilling and testing the receiver off-hook tone (end)

- 9 To manually busy the ROH trunk, type

BSY

and press the Enter key.

If the BSY command	Do
passes	step 10
is other than listed here	step 12

- 10 To return the ROH trunk to service, type

>RTS

and press the Enter key.

- 11 To test the ROH trunk, type

>TST

and press the Enter key.

Note: Each time you load an EDRAM, return the EDRAM to service. Busy the associated ROH trunk. Return the ROH trunk to service and test the ROH trunk.

If the BSY command	Do
passes	step 13
is other than listed here	step 12

- 12 For additional help, contact the next level of support.

- 13 The procedure is complete.

DRAM record utility

This chapter describes the digital recorded announcement machine (DRAM) record (DRAMREC) utility.

Use the DRAMREC utility to perform the following:

- notify the system of prerecorded phrases in programmable read-only memory (PROM)
- record phrases in random access memory (RAM)
- record phrases in electrically erasable programmable read-only memory (EEPROM)

To perform software upgrades to TL07, complete the following steps to transfer the operating company defined DRAM phrase information:

- dump the data to a binary file in the store file device (SFDEV) on the active side
- copy the file to the inactive side SFDEV
- restore the DRAM phrase information in the file

TL08 feature AR1811 creates table DRAMPHRS to eliminate the use of SFDEV. This table provides a standard table control interface for the transfer of DRAM phrase information. This information displays when the user enters the DRAMREC command ASSIGNDUMP COMMANDS. The DRAM phrase information consists of the following:

- DRAM number
- phrase name
- internal phrase number
- block number
- phrase length
- if the phrase is recorded or assigned
- if a pad is used with the phrase (recorded phrases only)
- the start location of the phrase (recorded phrases only)

Table DRAMPHRS stores the information defined by the ASSIGN, ERASE, POSITION, and RECORD commands in the DRAMREC utility. Feature AR1811 does not change the DRAMREC functionality.

Table DRAMPHRS does not replace the DRAMREC utility. The table provides a standard table control interface to DRAM phrase information for software upgrade purposes.

With table DRAMPHRS datafilled, the operating company defined DRAM phrase information can be transformed. You can transform DRAM phrase information during the one night process (ONP). Use the standard table transfer tool (TABXFR) for the information transfer.

Refer to the table description in *Translations Guide* for more information on table DRAMPHRS.

DRAMREC functions

Enter the command DRAMREC to access the DRAMREC utility at the CI level of the MAP display. All commands in the DRAMREC directory are resident nonmenu commands.

The following table lists the DRAMREC commands and their functions.

Table 15-1
DRAMREC commands

Command	Function
ANNSDEBUG	Prints the contents of internal announcement tables
ASSIGN	Enters DRAM speech and phrase data management tables
ASSIGNDUMP	Displays phrases or phrase information for each DRAM
CONNECT	Connects a trunk to a DRAM for record or play back purposes
DEBUG	Displays contents of the DRAM tables
DISCONNECT	Disconnects the connected trunk from a DRAM
DISPLAY	Displays internal and external phrase names, and use of the recording space on one or all of the specified DRAM cards
ERASE	Deletes a phrase definition
—continued—	

Table 15-1
DRAMREC commands (continued)

Command	Function
FIND	Displays all occurrences of the specified phrase name
HELP	Displays information on the specified DRAMREC command
PLAYBACK	Plays back a DRAM phrase through a headset or jack
POSITION	Records a speech phrase at a specified position on the DRAM with the use of a trunk headset
Q	Displays information on the specified DRAMREC command
QUIT	Quits from the DRAMREC utility
RECORD	Used for normal or forced recording
SITLOAD	Places special information tones (SIT) in random access memory (RAM)
—end—	

DRAMREC commands

The following sections describe DRAMREC commands. The following commands are examples of DRAMREC commands:

- command syntax
- parameter descriptions
- maintenance and administration position (MAP) responses
- associated user actions

ANNSDEBUG command

Use the ANNSDEBUG command to printout the contents of internal announcement tables. Northern Telecom (Nortel) technical assistance (TAS) personnel use this command for problem analysis.

The following table contains the syntax and parameter descriptions for the ANNSDEBUG command.

Table 15-2
ANNSDEBUG command description

Syntax	
>ANNSDEBUG	
Parameter	Description
N/A	There are no parameters or variables for the ANNSDEBUG command.

Table 15-3 details MAP responses for the ANNSDEBUG command, what the responses mean, and user actions required for the responses.

Table 15-3
ANNSDEBUG command responses

Response	Meaning	User action
ANN GRP UNPROT LAST CURCOUNT 2 0 2 0 0 0 . . .	MAP response example for the ANNSDEBUG command.	None
ANN GRP PROT MAXCO		
ANN TRK PROT IS NIL		
ANN TRK UNPROT ANN TRK UNPROT IS NIL . . .		

ASSIGN command

Use the ASSIGN command to provide data for the CM node that corresponds to phrases on the DRAM or EDRAM. The ASSIGN command identifies SIT phrase data. The ASSIGN command also identifies speech data under some conditions.

Parameters dram and block correspond to field DRAM and a block number in the BLKLIST tuple vector in table DRAMS.

The user can assign the following block numbers SIT data:

- block numbers datafilled in the BLKLIST vectors for an EDRAM with card type PROM
- block numbers loaded with voice files as entered in table EDRAMINV
- block numbers 0 and 1 entered in the BLKLIST vectors for an EDRAM with card type RAM. These block numbers are NOT loaded with voice files by datafill in table EDRAMINV

The ASSIGN command cannot put speech phrases on block numbers datafilled in table DRAMS as card types RAM or EEPROM.

Table 15-4 contains the syntax and parameter descriptions for the ASSIGN command.

Table 15-4
ASSIGN command description

Syntax		
ASSIGN <dram> <phrase_name> <length > <block> <phrase_number>		
Parameter	Value	Description
dram	0 to 63	Specifies the DRAM number
—continued—		

Table 15-4
ASSIGN command description (continued)

Syntax		
phrase_name	1 to 16 characters	<p>Specifies a speech phrase or a SIT data phrase</p> <p>This parameter specifies the name of a speech phrase or SIT data phrase for PROM card types.</p> <p>For RAM card types, the following apply:</p> <ul style="list-style-type: none"> • This parameter specifies the SIT phrase name to assign to block number 0 or block number 1. • SIT1 through SIT16 are available on block 0 with the ASSIGN command. • SIT17 through SIT32 are available on block 1 with the ASSIGN command. <p>Refer to table DRAMS to determine if the card type is PROM or RAM.</p>
length	1 to 31	<p>Specifies the operating time in seconds</p> <p>SIT data phrases always have a length of 1 s.</p>
block	0 to 31	<p>Specifies the block number in a block list vector datafilled in table DRAMS. The block number must be on a PROM card type for assigning speech data.</p> <p>The block number must be 0 or 1 for RAM or EEPROM card types, to assign SIT data.</p> <p>Enter the block number where the voice file with SIT data phrases or speech phrases is loaded onto an EDRAM or resides on a DRAM.</p>
—continued—		

Table 15-4
ASSIGN command description (continued)

Syntax		
phrase_no	0 to 63	<p>Specifies an integer that identifies the phrase to the DRAM controller</p> <p>The phrase number for speech phrases is from 0 to 63.</p> <p>The phrase number for SIT data phrases is from 48 to 63 for RAM card types. The phrase number for SIT data phrases is from 8 to 39 for PROM card types.</p>
—end—		

Table 15-5 contains MAP responses for the ASSIGN command, the meaning of the responses, and required user actions for the responses.

Table 15-5
ASSIGN command responses

Response	Meaning	User action
DRAMREC OR TABLE DRAMPHRS IN USE, TRY AGAIN LATER	The system aborted the command. Another user is changing datafill in table DRAMPHRS. Table DRAMPHRS references the same data the DRAMREC utility modifies. Controls prevent a change in this data as another process reads from or writes to the data.	Wait one minute and try the command again. If the problem persists, another user is making changes to table DRAMPHRS. When the user completes these changes, attempt the command again.
PHRASE ASSIGNED ON CARD	The ASSIGN command succeeded.	Does not apply
NO SPACE FOR NEW PHRASE	The specified DRAM does not have enough space for the addition of the phrase to occur. The system aborted the command.	Check the block, phrase number, and length. Use the DRAMREC DISPLAY command to show defined phrases. Try the command again.
—continued—		

Table 15-5
ASSIGN command responses (continued)

Response	Meaning	User action
UNKNOWN DRAM OR BLOCK	Table DRAMS does not contain the DRAM number or block number specified for the DRAM. The system aborted the command.	Check the DRAM number and block number and try the command again.
UNKNOWN BLOCK	Table DRAMS does not contain the block number specified for the DRAM. The system aborted the command.	Check the block number and try the command again.
UNKNOWN CARD	Table DRAMS does not contain the card number that associates with the DRAM number and block number. The system aborted the command.	Check the data in table DRAMS for the DRAM. Check the DRAM number and block number. Try the command again.
CANNOT ASSIGN PHRASE TO CONTROLLER CARD	The specified block is not correct. The system aborted the command.	Check the datafill for the DRAM. Try the command again.
SIT TONE DATA DOES NOT EXIST	The SIT phrase is not available on DRAM. The system aborted the command.	Determine if the DRAM requires the DRAMREC command SITLOAD. Try the command again.
CANNOT ASSIGN PHRASES TO RAM OR EEPROM CARD WHEN PROMS PRESENT IN TABLE DRAMS	When you assign SIT data to RAM card types, do not enter PROM card types for the DRAM. The system aborted the command.	Determine if SIT tones for the DRAM will occur on RAM or PROM card types. Try the command again.
PHRASE LENGTH EXCEEDS MAXIMUM	The phrase length specified is not correct. The system aborted the command.	Check the value for the phrase length parameter and try the command again.
GIVEN PHRASENO ALREADY EXISTS	The phrase number already exists on the specified DRAM and block. The system aborted the command.	Verify the phrase number. Use the DRAMREC DISPLAY command to show all phrase number values in use. Try the command again.
NO DATA IN TABLE DRAMS FOR BLOCK	Table DRAMS does not contain the block. The system aborted the command.	Verify the data for the DRAM in table DRAMS. Try the command again.
—continued—		

Table 15-5
ASSIGN command responses (continued)

Response	Meaning	User action
INVALID DRAM NUMBER	Table DRAMS does not contain the specified DRAM number. The system aborted the command.	Verify the data in table DRAMS and try the command again.
PHRASENAME ALREADY EXISTS DO NOT DUPLICATE PHRASENAME	The specified phrase name is already present on the DRAM. The system aborted the command.	Verify parameter values. Use the DRAMREC FIND command to help verify the phrase name. Try the command again.
PHRASE COULD NOT BE ASSIGNED	The data dictionary cannot define the specified phrase name. The system aborted the command.	Verify the phrase name and try the command again.
ON RAMS AND EEPROMS ONLY ASSIGN SITTONES AND SILENCE SITTONE PHRASE RANGE IS 48 TO 63 PHRASENO 0 IS SILENCE PHRASENO 1 AND 2 ARE RESERVED AND NOT USED	The phrase number specified is not correct. The system aborted the command.	Verify the phrase number and try the command again.
<pre>>assign 5 sleeng170 4 0 23 PHRASE ASSIGNED ON CARD 1</pre>	<p>The system executed the ASSIGN command correctly.</p> <p>In this example,</p> <ul style="list-style-type: none"> • the DRAM number is 5 • the phrase name is sleeng170 (speech phrase) • the length of the phrase is 4 s. • the block number is 0 • the phrase number is 23 	There is no action required.
—continued—		

Table 15-5
ASSIGN command responses (continued)

Response	Meaning	User action
<pre>>assign 6 SIT1 1 0 8 PHRASE ASSIGNED ON CARD 1</pre>	<p>The system executed the ASSIGN command correctly.</p> <p>In this example,</p> <ul style="list-style-type: none"> • the DRAM number is 6 • the phrase name is SIT1 (SIT phrase) • the phrase length is 1 s • the block number is 0, and • the phrase number is 8. 	<p>There is no action required.</p>
—end—		

ASSIGNDUMP command

Use the ASSIGNDUMP command to generate a display of phrases and phrase information that associate with each DRAM.

The COMMANDS parameter displays the phrase information in the same format as the ASSIGN command for PROM card types. For RAM card types, the system shows phrase information in the same format as the RECORD FORCE command.

Table 15-6 contains the syntax and parameter descriptions for the ASSIGNDUMP command.

Table 15-6
ASSIGNDUMP command description

Syntax		
ASSIGNDUMP <function>		
Parameter	Value	Description
function	anns	Use this parameter to display only the phrase name for phrases designated to each DRAM or EDRAM.
	commands	Use this command to display more detailed information for each phrase designated to each DRAM or EDRAM.

Table 15-7 contains MAP responses for the ASSIGNDUMP command, the meaning of the responses, and required user actions for the responses.

Table 15-7
ASSIGNDUMP command responses

Response	Meaning	User action
DRAMREC OR TABLE DRAMPHRS IN USE, TRY AGAIN LATER	The system aborted the command. Another user is changing datafill in table DRAMPHRS. Table DRAMPHRS references the same data that the DRAMREC utility changes. Controls prevent the user from changing this data as another process reads from or writes to the data.	Wait one min and try the command again. If the problem persists, another user is making changes to table DRAMPHRS. When the user completes these changes, attempt the command again.
—continued—		

Table 15-7
ASSIGNDUMP command responses (continued)

Response	Meaning	User action
Invalid symbol	The user entered the command without a correct parameter.	Try the command again using the correct parameter.
<pre>>assigndump anns DRAMREC ENG1 ENG2 ENG3 ENG4 ENG5 ENG6 ENG7 ENG8 ENG9 ENG0 SILENCE MYPHRASE1 MYPHRASE2 SIT1 SIT2 SIT2 SIT32 TST0</pre>	MAP response example for the ASSIGNDUMP ANNS command	There is no required action.
—continued—		

Table 15-7
ASSIGNDUMP command responses (continued)

Response	Meaning	User action
ASSIGNDUMP COMMANDS	MAP response example for the ASSIGNDUMP COMMAND command	There is no required action.
ASSIGN 0 ENG1 1 0 48		
ASSIGN 0 ENG2 1 0 49		
ASSIGN 0 ENG3 1 0 50		
ASSIGN 0 ENG4 1 0 51		
ASSIGN 0 ENG5 1 0 52		
ASSIGN 0 ENG6 1 0 53		
ASSIGN 0 ENG7 1 0 54		
ASSIGN 0 ENG8 1 0 55		
ASSIGN 0 ENG9 1 0 56		
ASSIGN 0 ENG0 1 0 47		
RECORD SILENCE 1 NOPAD 4 0 0 FORCE		
RECORD MYPHRASE1 2 PAD 4 16 35 FORCE		
RECORD MYPHRASE2 2 PAD 4 15 30 FORCE		
RECORD SIT1 1 NOPAD 4 1 48 FORCE		
RECORD SIT2 1 NOPAD 4 1 49 FORCE		
ASSIGN 5 SIT1 1 0 9		
ASSIGN 5 SIT2 1 0 9		
ASSIGN 5 SIT32 1 1 39		
ASSIGN 5 TST0 5 0 40		
—end—		

CONNECT command

Use the CONNECT command to connect a trunk to a DRAM for recording purposes. The abbreviated version of this command is CONN.

Connect one trunk to a DRAM at a time.

Use a headset (HSET) or jack trunk with a jack located near the MAP terminal to record.

Applications of the RECORD or POSITION commands follow the CONNECT command. If the user resets the DRAM, a default phrase is heard over the trunk, through the headset.

Table 15-8 contains the syntax and parameter descriptions for the CONNECT command.

Table 15-8
CONNECT command description

Syntax		
CONNECT <dram> <trunk_cli> <member>		
Parameter	Value	Description
dram	0 to 63	Specifies the DRAM number
trunk_cli	up to 16 alphanumeric characters	Specifies the common language location identifier (CLLI) of the trunk
member	0 to 255	Specifies the trunk member number assigned to the trunk

Table 15-9 contains MAP responses for the CONNECT command, the meaning of the responses, and user actions the responses require.

Table 15-9
CONNECT command responses

Response	Meaning	User action
DRAMREC OR TABLE DRAMPHRS IN USE, TRY AGAIN LATER	The system aborted the command. Another user is changing datafill in table DRAMPHRS. Table DRAMPHRS references the same data that the DRAMREC utility modifies. Controls prevent the user from changing this data as another process reads from or writes to the data.	Wait one minute and try the command again. If the problem persists, another user is changing table DRAMPHRS. When the user completes these changes, attempt the command again.
CONNECTION ALREADY MADE FROM THIS TERMINAL	A successful connection from this terminal has already been made. The system aborted the command.	There is no required action.
—continued—		

Table 15-9
CONNECT command responses (continued)

Response	Meaning	User action
DRAM CURRENTLY IN USE BY RECORDING OR DIAGNOSTIC	The specified DRAM is in the trunk test position (TTP) and the system runs a diagnostic test on the DRAM. The system aborted the command.	Wait until the diagnostic finishes. Use the DRAMREC CI command DEBUG UNPROT <dram> to verify the value USE IS 0. This value means the DRAM is not in use any longer. Try the command again.
DRAM NOT SEIZED	A DRAM that is not idle was specified and cannot be seized. The system aborted the command.	Wait for the DRAM to return to the idle state and try the command again.
INVALID DRAM CIRCUIT LOCATION IN TABLE DRAMS	The specified DRAM trunk module circuit location in table DRAMS is not correct. The system aborted the command.	Contact the next level of support.
INVALID DRAM NUMBER	The specified DRAM number is beyond the correct range. The system aborted the command.	Verify the DRAM number and datafill in table DRAMS. Try the command again.
NO DRAM CONTROLLER DATA	A DRAM controller (CTRL) card is not defined in table DRAMS for the specified DRAM. The system aborted the command.	Verify datafill in table DRAMS and try the command again.
TRUNK NOT SEIZED	The specified recording trunk is not idle. The system aborted the command.	Verify that the required trunk is idle and try the command again.
UNABLE TO FIND TRUNK TID	The specified trunk circuit number or trunk member is invalid. The system aborted the command.	Verify the trunk number and try the command again.
UNABLE TO MAKE NETWORK CONNECTION	The system cannot make the requested connection because of a network link problem.	Contact the next level of support.
—continued—		

Table 15-9
CONNECT command responses (continued)

Response	Meaning	User action
UNKNOWN TRUNK CLLI	The specified trunk CLLI does not exist in table CLLI. The system aborted the command.	Verify the CLLI and try the command again.
UNKNOWN TRUNK MEMBER	Table TRKMEM does not contain the specified trunk member. The system aborted the command.	Verify the trunk member information and try the command again.
>CONNECT 4 HSET 0 CONNECTION MADE	The system executed the CONNECT command correctly. In this example, DRAM 4 connected through headset 0.	There is no required action.
—end—		

DEBUG command

Use the DEBUG command to generate a display of internal data management tables. Northern Telecom Technical Assistance (TAS) personnel use this command for problem analysis.

Table 15-10 contains the syntax and parameter descriptions for the DEBUG command.

Table 15-10
DEBUG command description

Syntax DEBUG <table> <dram/ann>		
Parameter	Value	Description
table	all	Displays the contents of the drams, unprot, speech, phrase, and track data tables
	drams	Displays the contents of the drams data management tables
—continued—		

Table 15-10
DEBUG command description (continued)

Syntax DEBUG <table> <dram/ann>		
Parameter	Value	Description
	phrase	Displays the contents of the phrase data management tables
	speech	Displays the contents of the speech data management tables
	track	Displays the contents of the track data management tables
	unprot	Displays the contents of the unprot data management tables
dram	0 to 63	Specifies the number of a DRAM datafilled in table DRAMS, for parameter values all, drams, phrase, speech, or unprot
ann	0 to 63	Specifies the number of the announcement group CLLI for parameter values all and track
—end—		

Table 15-11 contains MAP responses for the DEBUG command, the meaning of the responses, and user actions the responses require.

Table 15-11
DEBUG command responses

Response	Meaning	User action
DRAMREC OR TABLE DRAMPHRS IN USE, TRY AGAIN LATER	The system aborted the command. Another user is changing datafill in table DRAMPHRS. Table DRAMPHRS references the same data the DRAMREC utility changes. Controls prevent the user from changing this data as another process reads from or writes to the data.	Wait one min and try the command again. If the problem persists, another user is changing table DRAMPHRS. When the user completes these changes, attempt the command again.
INVALID DRAM NUMBER	The specified DRAM number is outside the correct range. The system aborted the command.	Verify the DRAM number in table DRAMS. Use a correct DRAM number and try the command again.
—continued—		

Table 15-11
DEBUG command responses (continued)

Response	Meaning	User action
<p>INVALID GROUP NUMBER</p> <p>Note: Announcement group and phrase names do not have internal representations with identical values for every switch or product CM load (PCL).</p>	<p>The response indicates one of these conditions:</p> <ul style="list-style-type: none"> • the number the user enters is not a correct number of an announcement group CLLI in table ANNS • the user did not datafill table DRAMTRK or table DRMUSERS with the announcement group 	<p>Verify using the CI DEBUG command and try the command again.</p> <p>The response for the following example input for NA007, displays the announcement group CLLI name for announcement 7:</p> <pre>>debug;di anndi:pr.0 d 12 (&7).4 common_language_name</pre>
<p>—continued—</p>		

Table 15-11
DEBUG command responses (continued)

Response	Meaning	User action
<pre> >debug drams 5 TABLE DRAMS CTLR 0 CLLI 72 COD TYP CKT STA ISV MB SB PB OFL NEQ BLK 65 1 1 1 F F F F T F 69 2 1 1 F F F F T F 0 1 0 0 0 0 F F F F F T 69 2 1 1 F F F F T F 2 3 0 0 0 0 F F F F F T 69 2 1 1 F F F F T F 4 5 0 0 0 0 F F F F F T 69 2 1 1 F F F F T F 6 7 0 0 0 0 F F F F F T </pre> <p>Note: In this example, table DRAMS contains card 5 (6th row) a PROM card, and does not contain card 8 (9th row).</p>	<p>The first line corresponds to the DRAM controller (CTLR), which is DRAM card 0. The rows that follow the column headers correspond to card information for the DRAM, starting with DRAM CARD 1. The entry in the TYP column identifies the card type. The entries are as follows:</p> <ul style="list-style-type: none"> • 0 – no card • 1 – CTLR card • 2 – PROM card • 3 – RAM card • 4 – EEPROM card <p>The entries in the STA column are numbers that represent the trunk state.</p>	<p>There is no required action.</p>
<p>—continued—</p>		

Table 15-11
DEBUG command responses (continued)

<pre>>debug phrase 5 TABLE DRAMPHRASES INT BLK STR LEN 0 0 0 0 48 0 0 1 0 0 0 0 9 0 0 1 8 0 0 1 39 1 0 1 40 0 0 5</pre>	<p>Each row corresponds to the external phrase number on a DRAM, starting with external phrase number 0.</p>	<p>Use the CI command DDEDIT to display the phrase information that corresponds to an external phrase name.</p>
	<p>The entry in the INT column represents the internal phrase number shown by the DRAMREC CI command DISPLAY.</p>	<p><i>Example input:</i></p>
	<p>The entry in the BLK column represents the block number where the phrase has been recorded or assigned.</p>	<p>>DDEDIT</p> <p><i>Response:</i> DDE : >print (srsymbol ext_phraseno 0)</p>
	<p>The entry in the STR column represents the starting position within the block where the system records the phrase. The entry is 0 for phrases the system assigns with the DRAMREC CI command ASSIGN.</p>	<p>Note: The NIL entry indicates the first row in the display does not correspond to any phrase.</p> <p><i>Example input:</i></p> <p>>print (srsymbol ext_phraseno 1)</p>
	<p>The entry in the LEN column represents phrase length the DRAMREC CI command DISPLAY shows.</p>	<p><i>Response:</i> ENG1 Note: The ENG1 entry corresponds to external phrase number 1 with phrase name ENG1 on DRAM number 5.</p>
<p>—continued—</p>		

Table 15-11
DEBUG command responses (continued)

Response	Meaning	User action
<pre>>debug speech 5 TABLE DRAMSPEECH CRD SPA CHK 1 0 0 1 0 0 2 0 0 2 0 0 3 0 0 3 0 0 4 0 0 4 0 0 >debug track 5 TABLE DRAMTRACKS PHR</pre>	<p>Each row corresponds to a block of the DRAM, starting with block number 0.</p> <p>The entries in the CRD column indicate which card number in table DRAMS corresponds to the associated block number.</p> <p>The entries in the SPA column indicate the maximum recording space for RAM or EEPROM cards. The entry is 0 for PROM cards.</p> <p>The entries in the CHK column indicate the space that remains on the card to record. The entry is 0 for PROM cards.</p> <p>Table DRAMTRK is not datafilled for announcement group 5.</p>	<p>There is no required user action.</p> <p>There is no required action.</p>
—continued—		

Table 15-11
DEBUG command responses (continued)

Response	Meaning	User action
<pre>>debug track 3 TABLE DRAMTRACKS PHR 74 81</pre> <p>Note 1: In this example, the user enters two tuples for external phrase numbers that correspond to the entry in field PHSLIST in table DRAMTRK. The entry in field PHSLIST is for the announcement group the numbers internally represent.</p> <p>Note 2: Announcement group and phrase names do not have internal representations with identical values for every switch or product CM load (PCL).</p>	<p>Each row corresponds to external phrase numbers entered in field PHSLIST in table DRAMTRK.</p>	<p>Use the CI command DEBUG to display the phrase name for external phrase numbers.</p> <p><i>Example input for NA007:</i></p> <pre>>debug;di anndi:pr.0 d 12 (&3).4 common_language_name</pre> <p><i>Response:</i> 05C36FA4 : BLKDN</p> <p>Use the DDEDIT command to display the phrase names for the external phrase numbers.</p> <p><i>Input:</i></p> <pre>>QUIT;DDEDIT</pre> <p><i>Response :</i> DDE :</p> <p><i>Input:</i></p> <pre>>print (rsymbol ext_phraseno 74)</pre> <p><i>Response:</i> BLKDNENG :</p> <p><i>Input:</i></p> <pre>>print (rsymbol ext_phraseno 81)</pre> <p><i>Response:</i> BLKDNFRE:</p>
<p>—continued—</p>		

Table 15-11
DEBUG command responses (continued)

Response	Meaning	User action
<pre>>debug track 14 TABLE DRAMTRACKS PHR 1 1 1</pre> <p>Note 3: The number 14 represents an announcement group. This example shows the external phrase number for each phrase the user enters in field PHSLIST in table DRAMTRKS, for this group.</p>	<p>Each row corresponds to external phrase numbers the user enters in phrase list of table DRAMTRK.</p>	<p>Use the CI command DEBUG to display the CLLI name for an announcement group the user enters in table ANNS.</p> <p><i>Example input:</i> >debug;di anndi:pr.0 d 12 (&14).4 common_language_name</p> <p><i>Response</i> 05C370F4 : COTCONFANN Use the DDEDIT command to display the phrase names for the external phrase numbers</p> <p><i>Input:</i> >quit;dedit</p> <p><i>Response :</i> DDE:</p> <p><i>Input:</i> >print (srsymbol ext_phraseno 1)</p> <p><i>Response :</i> ENG1:</p>
—continued—		

Table 15-11
DEBUG command responses (continued)

Response	Meaning	User action
<pre>>debug unprot 5 TABLE DRAMUNPROT USE TRK MEM 0</pre>	<p>The response to this command uses a number to indicate the status of the specified DRAM.</p> <ul style="list-style-type: none"> • 0 – idle (DRAM not used for diagnostics DRAMREC CONNECT, RECORD, or SITLOAD commands) • 1 – DRAM recording in progress • 2 – DRAM connected to a headset or jack • 3 – DRAM diagnostics in process • 4 – not used • 5 – SIT data loading in progress • 6 – DRAM audit in progress. A DRAM audit can be in progress if the system displays 0, 1, 2, 3, or 5. 	<p>There is no user action required.</p>
<p>—end—</p>		

DISCONNECT command

Use the disconnect command to disconnect the recording or playback trunk. The abbreviated version of this command is DISC.

Table 15–12 contains the syntax and parameter descriptions for the DISCONNECT command.

Table 15-12
DISCONNECT command description

Syntax	
DISCONNECT	
Parameter	Description
N/A	The DISCONNECT command does not have parameters or variables.

Table 15–13 contains MAP responses for the DISCONNECT command, the meaning of the responses, and the user actions the responses require.

Table 15-13
DISCONNECT command responses

Response	Meaning	User action
TRUNK DISCONNECTED	The specified trunk is disconnected. The command was successful.	There is no required action.
DRAM NOT CURRENTLY CONNECTED	The recording trunk failed to connect to the DRAM. The system aborted the command.	There is no required action.

DISPLAY command

Use the DISPLAY command to generate a display of the following:

- external phrase name
- internal phrase number
- the use of recording space on one or all of the cards that associate with the specified DRAM number

Table 15-14 contains the syntax and parameter descriptions for the DISPLAY command.

Table 15-14
DISPLAY command description

Syntax		
DISPLAY <dram> <card>		
Parameter	Value	Description
dram	0 to 63	Specifies a DRAM number in table DRAMS. The system displays phrase information for each card in the DRAM.
card	0 to 32	Specifies the number of one of the cards in table DRAMS for the DRAM. The system displays phrase information for the specified card.

Table 15-15 contains MAP responses for the DISPLAY command, the meaning of the responses, and required user actions for the responses.

Table 15-15
DISPLAY command responses

Response	Meaning	User action
DRAMREC OR TABLE DRAMPHRS IN USE, TRY AGAIN LATER	The system aborted the command. Another user is changing datafill in table DRAMPHRS. Table DRAMPHRS references the same data that the DRAMREC utility changes. Controls prevent the user from changing this data as another process reads from or writes to the data.	Wait one minute and try the command again. If the problem persists, another user is changing table DRAMPHRS. When the user completes these changes, attempt the command again.
UNKNOWN DRAM	Table DRAMS does not contain the specified DRAM number. The system aborted the command.	Verify the DRAM number and try the command again.
UNKNOWN CARD NUMBER	Table DRAMS does not contain the specified card number. The system aborted the command.	Verify the card number and try the command again.
INVALID DRAM NUMBER	Table DRAMS does not contain the specified DRAM number. The system aborted the command.	Verify the DRAM number and try the command again.
—continued—		

Table 15-15
DISPLAY command responses (continued)

Response	Meaning	User action
INVALID CARD NUMBER	Table DRAMS does not contain the specified card number. The system aborted the command.	Verify the card number and try the command again.
>display 0	MAP response example for the DISPLAY command on a DRAM (NT1X80BA)	There is no action required.
CARD 0 CTLR SPACE: MAX CONTIG 0 TOTAL 0		
CARD 1 PORM SPACE: MAX CONTIG 0 TOTAL 0		
PHRASE_EXT PHRASE_INT LENGTH		

ENG1 48 1		
ENG2 49 1		
ENG3 50 1		
ENG4 51 1		
ENG5 52 1		
ENG6 53 1		
ENG7 54 1		
ENG8 55 1		
ENG9 56 1		
ENG0 47 1		
CARD 3 PROM SPACE: MAX CONTIG 0 TOTAL 0		
CARD 5 PROM SPACE: MAX CONTIG 0 TOTAL 0		
CARD 7 PROM SPACE: MAX CONTIG 0 TOTAL 0		
CARD 9 PROM SPACE: MAX CONTIG 0 TOTAL 0		
CARD 11 PROM SPACE: MAX CONTIG 0 TOTAL 0		
CARD 13 PROM SPACE: MAX CONTIG 0 TOTAL 0		
CARD 15 PROM SPACE: MAX CONTIG 0 TOTAL 0		
CARD 17 PROM SPACE: MAX CONTIG 0 TOTAL 0		
CARD 19 PROM SPACE: MAX CONTIG 0 TOTAL 0		
CARD 21 PROM SPACE: MAX CONTIG 0 TOTAL 0		
CARD 23 PROM SPACE: MAX CONTIG 0 TOTAL 0		
CARD 25 PROM SPACE: MAX CONTIG 0 TOTAL 0		
CARD 27 PROM SPACE: MAX CONTIG 0 TOTAL 0		
CARD 29 PROM SPACE: MAX CONTIG 0 TOTAL 0		
CARD 31 PROM SPACE: MAX CONTIG 0 TOTAL 0		
—continued—		

Table 15-15
DISPLAY command responses (continued)

Response	Meaning	User action
<pre>>display 0 1 CARD 1 PROM SPACE: MAX CONTIG 0 TOTAL 0 PHRASE_EXT PHRASE_INT LENGTH ----- ENG1 48 1 ENG2 49 1 ENG3 50 1 ENG4 51 1 ENG5 52 1 ENG6 53 1 ENG7 54 1 ENG8 55 1 ENG9 56 1 ENG0 47 1</pre>	<p>Example of MAP response for the DISPLAY command on a DRAM card</p>	<p>There is no required action.</p>
<pre>>display 4 CARD 0 CTRLR SPACE: MAX CONTIG 0 TOTAL 0 CARD 1 RAM SPACE: MAX CONTIG 31 TOTAL 31 PHRASE_EXT PHRASE_INT LENGTH ----- SILENCE 0 1 SIT1 48 1 SIT2 49 1 CARD 2 RAM SPACE: MAX CONTIG 31 TOTAL 31 CARD 3 RAM SPACE: MAX CONTIG 31 TOTAL 31 CARD 4 RAM SPACE: MAX CONTIG 31 TOTAL 31 CARD 5 RAM SPACE: MAX CONTIG 31 TOTAL 31 CARD 6 RAM SPACE: MAX CONTIG 31 TOTAL 31 CARD 7 RAM SPACE: MAX CONTIG 31 TOTAL 31 CARD 8 RAM SPACE: MAX CONTIG 31 TOTAL 31</pre>	<p>MAP response example for the DISPLAY command on a DRAM</p>	<p>There is no required action.</p>
<p>—end—</p>		

ERASE command

Use the ERASE command to delete a phrase definition.

Table 15–16 contains the syntax and parameter descriptions for the ERASE command.

Table 15-16
ERASE command description

Syntax		
ERASE <dram> <phrase_name>		
Parameter	Value	Description
dram	0 to 63	Specifies the number of the DRAM on the phrase that the system is to erase
phrase_name	1 to 16 characters	Specifies a speech phrase or a SIT data phrase

Table 15-17 contains MAP responses for the ERASE command, the meaning of the responses, and required user actions for the responses.

Table 15-17
ERASE command responses

Response	Meaning	User action
DRAMREC OR TABLE DRAMPHRS IN USE, TRY AGAIN LATER	The system aborted the command. Another user is changing datafill in table DRAMPHRS. Table DRAMPHRS references the same data that the DRAMREC utility changes. Controls prevent the user from changing this data as another process reads from or writes to the data.	Wait one minute and try the command again. If the problem persists, another user is changing table DRAMPHRS. When the user completes these changes, attempt the command again.
INVALID DRAM NUMBER	The specified DRAM number is outside the correct range. The system aborted the command.	Verify the DRAM number and try the command again.
NO SUCH PHRASE EXISTS	The specified phrase is not present in any PROM or RAM in the specified DRAM. The system aborted the command.	Verify the phrase name and try the command again.
—continued—		

Table 15-17
ERASE command responses (continued)

Response	Meaning	User action
<pre>>erase 10 testphrase NO PHRASE EXISTS ON THIS DRAM</pre>	<p>There are no recognized phrase names on the CM node for the specified DRAM. The DRAM node recognizes the phrases. Table DRAM does not contain the specified DRAM. The system aborted the command.</p>	<p>Verify the DRAM and phrase name. Use the DRAMREC command FIND to assist in the verification. Try the command again.</p>
<pre>>erase 3 testphrase Please confirm ("YES", "Y", "NO", or "N") >y THIS IS THE LAST INSTANCE OF THIS PHRASE IN THIS OFFICE PHRASE ERASED</pre>	<p>The phrase name was erased from the CM node. If the DRAM is also connected to the headset or jack trunk, the phrase is also erased from the DRAM.</p> <p>The command was successful.</p>	<p>There is no required action.</p>
<p>—continued—</p>		

Table 15-17
ERASE command responses (continued)

Response	Meaning	User action
<pre>>erase 0 engl PHRASE TO BE ERASED: ENGL Please confirm ("YES", "Y", "NO", or "N") >y WARNING: THIS IS THE LAST INSTANCE OF THIS PHRASE IN THIS OFFICE ERROR; PHRASE MUST BE REMOVED FROM THESE ANNOUNCEMENT TRACKS IN TABLE DRAMTRK BEFORE IT CAN BE ERASED: NODIAL1 0 COTCONFANN 0 ERROR; PHRASE MUST BE REMOVED FROM THESE ANNOUNCEMENT TRACKS IN TABLE DRAMTRK BEFORE IT CAN BE ERASED: CFRA 1 CLASS 1 CLASS 10 CLASS 11 CLASS 12 CLASS 13 CLASS 14 CLASS 15 CLASS 16 CLASS 17</pre>	<p>The phrase name is entered in table DRAMTRK with announcement track NODIAL1 0 and announcement track COTCONFANN 0.</p> <p>Enter the phrase name in table DRMUSERS with the following user announcements:</p> <ul style="list-style-type: none"> • CFRA 1 • CLASS 1 • CLASS 10 • CLASS 11 • CLASS 12 • CLASS13 • CLASS 14 • CLASS 15 • CLASS 16 • CLASS17 <p>The CM node on any other DRAM does not recognize the phrase name. The system does not erase the phrase name. The system aborted the command.</p>	<p>Use the DRAMREC FIND command to verify the phrase name. To remove the phrase name, change the datafill for announcement tracks displayed in table DRAMTRK and the announcements in table DRMUSERS. Try the command again.</p>
<p>—continued—</p>		

Table 15-17
ERASE command responses (continued)

Response	Meaning	User action
<pre>>erase 3 blkdneng PHRASE TO BE ERASED: BLKDNENG Please confirm ("YES", "Y", "NO", or "N") >y WARNING: THIS IS THE LAST INSTANCE OF THIS PHRASE IN THIS OFFICE ERROR; PHRASE MUST BE REMOVED FROM THESE ANNOUNCEMENT TRACKS IN TABLE DRAMTRK BEFORE IT CAN BE ERASED: BLKDN 0</pre>	<p>Table DRAMTRK contains the phrase name with announcement track BLKDN 0. The CM node on any other DRAM does not recognize the phrase name. The system does not erase the phrase name. The system did not abort the command.</p>	<p>Change the datafill in table DRAMTRK for the displayed announcement tracks. Use the DRAMREC FIND command to verify the phrase name. Try the command again.</p>
<pre>>erase 3 blkdneng PHRASE TO BE ERASED: BLKDNENG Please confirm ("YES", "Y", "NO", or "N") >y WARNING: ERASED PHRASE SHOULD BE DELETED FROM THESE ANNOUNCEMENT TRACKS UNLESS IT IS IMMEDIATELY RE-RECORDED: BLKDN 0 PHRASE ERASED</pre>	<p>Table DRAMTRK contains the phrase name with announcement track BLKDN 0. The phrase name was erased from the CM node. If the DRAM connects to the headset or jack trunk, the phrase erases from the DRAM.</p> <p>The command was successful.</p>	<p>Record or assign the phrase again, or change the data in table DRAMTRK for the displayed announcement tracks.</p>
—end—		

FIND command

Use the FIND command to display all occurrences of the specified phrase name in all datafilled DRAMs and EDRAMs.

Table 15-18 contains the syntax and parameter descriptions for the FIND command.

Table 15-18
FIND command description

Syntax		
FIND <phrase_name>		
Parameter	Value	Description
phrase_name	1 to 16 characters	Specifies the name of the assigned or recorded phrase. The phrase name can be part of an announcement.

Table 15-19 contains MAP responses for the FIND command, the meaning of the responses, and required user actions for the responses.

Table 15-19
FIND command responses

Response	Meaning	User action
DRAMREC OR TABLE DRAMPHRS IN USE, TRY AGAIN LATER	The system aborted the command. Another user changes data in table DRAMPHRS. Table DRAMPHRS references the same data that the DRAMREC utility changes. Controls prevent changes to this data when another process reads from or writes to the data.	Wait 1 min and try the command again. If the problem persists, another user changes table DRAMPHRS. When the user completes these changes attempt the command again.
PHRASE NOT FOUND	The specified phrase is not present in any DRAM in the office.	Verify the phrase name and try the command again.
—continued—		

Table 15-19
FIND command responses (continued)

Response	Meaning	User action
<pre>>find eng3 DRAM CARD TYPE LENGTH ---- ---- ---- -</pre>	MAP response example for the FIND command	There is no action required.
<pre> 0 1 Prom 1</pre>		
<pre>>find sit1 DRAM CARD TYPE LENGTH ---- ---- ---- -</pre>	MAP response example for the FIND command	There is no action required.
<pre> 4 1 RAM 1</pre>		
<pre> 5 1 PROM 1</pre>		
—end—		

HELP command

Use the HELP command to display information on the commands in the DRAMREC directory.

Table 15-20 contains the syntax and parameter descriptions for the HELP command.

Table 15-20
HELP command description

Syntax		
HELP <command>		
Parameter	Value	Description
command	annsdebug, assign, assigndump, connect, conn, debug, disconnect, disc display, erase, find, playback, position, q, quit, record, or sitload	Specifies the command for which the system displays information

Table 15–21 contains MAP response examples for the HELP command.

Table 15-21
HELP command responses

Response	Meaning	User action
>help display DISPLAY: DISPLAY THE PHRASE CONTENTS OF SPEECH MEMORY Parms: <DRAM> {0 to 63} [<CARD> {0 to 32}]	MAP response for the HELP DISPLAY command	There is no action required.
>help erase ERASE: DELETE A PHRASE DEFINITION Parms: <DRAM> {0 to 63} <PHRASENAME> {(otherwise)}	MAP response for the HELP ERASE command	There is no action required.

PLAYBACK command

Use the PLAYBACK command to play a DRAM phrase through a headset or jack.

Table 15-22 contains the syntax and parameter descriptions for the PLAYBACK command.

Table 15-22
PLAYBACK command description

Syntax		
PLAYBACK <dram> <phrase_name>		
Parameter	Value	Description
dram	0 to 63	Specifies the number of the DRAM that contains the phrase to play
phrase_name	1 to 16 characters	Specifies a speech phrase or SIT data phrase

If a phrase plays back through a headset or jack, the MAP display does not respond. The phrase continues to play until the execution of another DRAMREC command.

Table 15-23 contains MAP response examples for the PLAYBACK command.

Table 15-23
PLAYBACK command responses

Response	Meaning	User action
DRAMREC OR TABLE DRAMPHRS IN USE, TRY AGAIN LATER	The system aborted the command. Another user is changing datafill in table DRAMPHRS. Table DRAMPHRS references the same data that the DRAMREC utility changes. Controls prevent the use from changing this data as another process is read from or writes to the data.	Wait 1 min and try the command again. If the problem persists, another user is changing table DRAMPHRS. When the user completes these changes, attempt the command again.
FIRST USE CONNECT COMMAND TO CONNECT HSET	The user did not connect a headset or jack for play back. The system aborted the command.	To connect a headset or jack, use the CONNECT command and try the command again.
INVALID DRAM NUMBER	The specified DRAM number is outside the correct range. The system aborted the command.	Verify the DRAM number and try the command again.
UNKNOWN DRAM	Table DRAM does not contain the specified DRAM. The system aborted the command.	Verify the DRAM number and try the command again.
NO SUCH PHRASE EXISTS	The CM node does not recognize the phrase name. The system aborted the command.	Verify the DRAM number and phrase name. Record or assign the phrase name. Try the command again.

POSITION command

Use the POSITION command to record a speech phrase at a specified position on a DRAM through the use of a trunk headset.

Use the POSITION command with block numbers entered as card type RAM in table DRAMS for an EDRAM.

Use the POSITION command with block numbers entered as card type RAM or EEPROM in table DRAMS for a DRAM.

Table 15-24 contains the syntax and parameter descriptions for the POSITION command.

Table 15-24
POSITION command description

Syntax		
POSITION <phrase_name> <length> <pad> <block> <start_position>		
Parameter	Value	Description
phrase_name	1 to 16 characters	Specifies a speech phrase or SIT data phrase
length	1 to 31	Specifies the operating time in seconds
pad	pad	Specifies that the user must insert the 6-db pad in the recording circuit for the best speech response
	nopad	Specifies that the user did not insert the 6-db pad
block	0 to 31	Specifies that table DRAMS contains the block number in a block list vector
start_position	1 to 31	Specifies how long to record the phrase from the start of the block

The following limits apply to the POSITION command:

- Before the system can execute the POSITION command, the user must use the CONNECT command to connect the DRAM.
- If an announcement lasts longer than 18 s, the user must record the announcement as two or more phrases of equal length. For information on how to stitch phrases and tracks to create announcements, refer to the descriptions of tables DRAMTRK and ANNMEMS. These descriptions are in *Translations Guide*.

- When the user enters the POSITION command, the system plays the recorded phrase until the user performs one of the following:
 - erases the phrase
 - records over the phrase
 - disconnects the trunk
 - runs a diagnostic

**CAUTION****Possible loss of recorded announcement.**

Do not use the POSITION command unless a reason to record on a DRAM or EDRAM card is present. Use of the POSITION command can result in the overwrite of recorded speech in memory.

**CAUTION****Possible loss of recorded announcement.**

Do not use the POSITION command unless a reason to record on a DRAM or EDRAM card is present. Use of the POSITION command can result in the overwrite of recorded speech in memory.

Table 15-25 contains MAP response examples for the POSITION command.

Table 15-25
POSITION command responses

Response	Meaning	User action
DRAMREC OR TABLE DRAMPHRS IN USE, TRY AGAIN LATER	The system aborted the command. Another user is changing data in table DRAMPHRS. Table DRAMPHRS references the same data that the DRAMREC utility changes. Controls prevent the user from changing this data as another process reads from or writes to the data.	Wait 1 min and try the command again. If the problem persists, another user is changing table DRAMPHRS. When the user completes these changes, attempt the command again.
UNKNOWN BLOCK	Table DRAMs does not contain the block number specified for the DRAM. The system aborted the command.	Verify the specified block number and try the command again.
INVALID BLOCK NUMBER	The specified block number is outside the correct range. The system aborted the command.	Verify the block number and try the command again.
NO BLOCK FOUND WITH SUFFICIENT SPACE	The system can not find any recording blocks that have enough space to accommodate the phrase of the defined length. The system aborted the command.	Shorten the phrase length and try the command again.
NO TRUNK CURRENTLY CONNECTED TO THIS TERMINAL	The user has not connected a trunk to the terminal. The system aborted the command.	Use the CONNECT command to connect a trunk.
PHRASE COULD NOT BE ADDED	The phrase was recorded in RAM in a different location in the DRAM. The system aborted the command.	Use the DRAMREC FIND command to verify the phrase name. Try the command again.
UNABLE TO ASSIGN SPACE	The specified phrase length exceeds the maximum continuous space available on the card. The system aborted the command.	Shorten the phrase and try the command again.
—continued—		

Table 15-25
POSITION command responses (continued)

Response	Meaning	User action
INSUFFICIENT SPACE FOR PHRASE AT SPECIFIED LOCATION	Not enough space to record the phrase at the specified block and start position numbers are present. The system aborted the command.	Shorten the phrase and try the command again.
<pre>>position myphrase1 2 pad 15 9 RECORDING ON DRAM 4 USE TRUNK HSET MEMBER 0</pre>	The recording process started on DRAM 4 using headset member 0.	There is no action required.
—end—		

Q command

Use the Q (query) command to display information about a command.

Table 15-26 contains the syntax and parameter descriptions for the Q command.

Table 15-26
Q command description

Syntax		
Q <command>		
Parameter	Value	Description
command	annsdebug, assign, assigndump, connect, conn, debug, disconnect, disc display, erase, find, playback, position, q, quit, record, or sitload	Specifies the command for which the system is to display information

Table 15-27 contains MAP response examples for the Q command.

Table 15-27
Q command responses

Response	Meaning	User action
>q sitload SITLOAD :PUTS SPECIAL INFO. TONES IN RAM Parms: <DRAM> {0 TO 63}	MAP response for the Q SITLOAD command	There is no required action.
—continued—		

Table 15-27
Q command responses (continued)

Response	Meaning	User action
<pre>>q record RECORD: DEFINE AND RECORD A PHRASE. DO NOT USE OPTIONAL PARAMETERS FOR NORMAL RECORDING. FOR FORCE RECORDING: - USE ALL OPTIONAL PARAMETERS. - USE INTPHRASE BETWEEN 9 AND 39. Parms: <PHRASENAME> {(otherwise)} <LENGTH> {1 TO 31} <PAD> {PAD, NOPAD} [<DRAM> {0 TO 63}] [<CARD> {1 TO 32}] [<INTPHRASE> {0 TO 63}] [<FORCE> {FORCE}]</pre>	<p>MAP response for the Q RECORD command</p>	<p>There is no action required.</p>
—end—		

QUIT command

Use the QUIT command to exit from the DRAMREC utility.

RECORD command

Use the RECORD command for normal or forced recording.

If an announcement is longer than 18 s, record the announcement as two or more phrases of equal length. The description of tables DRAMTRK and ANNMEMS in *Translations Guide* supply more information on how to stitch phrases and tracks to create announcements.

When the user enters the RECORD command, the system plays the recorded phrase until the user does one of the following:

- erases the phrase
- records over the phrase
- enters the DRAMREC CI PLAYBACK command
- disconnects the trunks
- runs a diagnostic

The term “normal” refers to the use of a trunk headset connected to the DRAM or EDRAM controller to record a speech phrase. The speech phrase is recorded into DRAM or EDRAM memory. For normal recording, the following applies:

- Issue the CONNECT command before the RECORD command.
- Only the phrase name, length, and pad parameters are specified.

The word “forced” refers to defining a speech phrase. The phrase already resides on a DRAM memory card or EDRAM card. But the phrase needs definition on the CM node to acquire recognition as a correct phrase for the creation of announcements. For forced recording, the following applies:

- Use the force option only for dump and restore when you upgrade from one product computing module (PCL) load to a different PCL load.
- Do not connect a trunk headset to a DRAM or EDRAM controller. If a trunk headset is connected, disconnect with use of the DISCONNECT command.
- All parameters are specified.

For EDRAM, use the RECORD command with block numbers entered as card type RAM in table DRAMS.

For DRAM, use the RECORD command with block numbers entered as card type RAM or EEPROM in table DRAMS.

Table 15-28 contains the syntax and parameter descriptions for the RECORD command.

Table 15-28
RECORD command description

Syntax		
RECORD<phrase_name> <length> <pad> <dram> < card> <internal_phrase> <force>		
Parameter	Value	Description
phrase_name	1 to 16 characters	Specifies a speech phrase Use the ASSIGN command for SIT data phrases.
length	1 to 31	Specifies the operating time in seconds
—continued—		

Table 15-28
RECORD command description (continued)

Syntax		
Parameter	Value	Description
pad	pad	Specifies that the recording circuit contains the 6-db pad for best speech response
	nopad	Specifies that the recording circuit does not contain the 6-db pad
dram	0 to 63	Specifies the DRAM number for the DRAM or EDRAM entered in table DRAMS
card	1 to 32	Do not use the DRAM parameter for normal recording.
		Specifies the number of a DRAM card entered in table DRAMS, for the given DRAM number. The tuple that corresponds in table DRAMS also contains one block number.
intphrase	0 to 63	Do not use the card parameter for normal recording.
		Specifies the internal phrase number. The intphrase parameter is an integer that correlates the phrase to the phrase location on the DRAM or EDRAM card.
force	force	Specify an integer from 9 through 39 for forced recording.
		Do not use the intphrase parameter for normal recording.
		Specifies forced recording
—end—		

The following table contains MAP response examples for the RECORD command.

Table 15-29
RECORD command responses

Response	Meaning	User action
DRAMREC OR TABLE DRAMPHRS IN USE, TRY AGAIN LATER	The system aborted the command. Another user changes datafill in table DRAMPHRS. Table DRAMPHRS references the same data that the DRAMREC utility changes. Controls do not allow the user to change this data as another process reads from or writes to the data.	Wait 1 min and try the command again. If the problem persists, another user changes table DRAMPHRS. When the user completes these changes, attempt the command again.
INVALID DRAM NUMBER ENTERED	The specified DRAM number is outside the correct range. The system aborted the command.	Verify the DRAM number in table DRAMS and try the command again
DO NOT USE DRAM NUMBER FOR NORMAL RECORDING. DISCONNECT HSET IF USING FORCE OPTION.	The user connected a headset trunk to DRAM trunk. The DRAM number is specified as a parameter. The system aborted the command.	Determine if the recording is normal or forced. Try the command again.
SPECIFY DRAM NUMBER WHEN USING FORCE OPTION	The user must specify both the DRAM number and force parameter for forced recording.	Verify the type of recording that is required. Try the command again.
MUST USE RAM OR EEPROM CARDTYPE FOR RECORDING	The card type entered in table DRAMS for the DRAM card number is not entered as RAM or EEPROM. The system aborted the command.	Verify the specified card number and the corresponding card type in table DRAMS. Try the command again. Note: For the 16-min EDRAM, use the RECORD command for card type RAM. Do not use the RECORD command with card type EEPROM.
DO NOT USE CARD NUMBER FOR NORMAL RECORDING	The parameter card is specified, but the force parameter is not specified. The system aborted the command.	Verify the required type of recording and try the command again. Note: Do not specify the card number for normal recording.
—continued—		

Table 15-29
RECORD command responses (continued)

Response	Meaning	User action
INVALID CARD NUMBER	The specified card number is outside the correct range. The system aborted the command.	Verify the card number and try the command again.
INSUFFICIENT SPACE FOR RECORDING OR PHRASE ALREADY RECORDED	The system aborted the command for one of the following reasons: <ul style="list-style-type: none"> specified phrase length is greater than the continuous recording space available on the card a phrase with the same name is already recorded 	Shorten or rename the phrase and try the command again.
INSUFFICIENT SPACE ON SPECIFIED DRAM	The system aborted the command for one of the following reasons: <ul style="list-style-type: none"> the specified phrase length is greater than the continuous recording space available on the card the card is not present 	Shorten the phrase or specify a different card and try the command again.
NO TRUNK CONNECTION FROM THIS TERMINAL	The user has not connected a trunk to the terminal for recording purposes. The system aborted the command.	Use the CONNECT command to connect a trunk and try the RECORD command again for normal recording.
PHRASE COULD NOT BE ADDED	The specified phrase name has already been recorded in RAM in the DRAM. The system aborted the command.	Use the DRAMREC CI command FIND to verify the phrase name. Try the command again.
UNABLE TO ASSIGN SPACE OR PHRASE ALREADY EXISTS	The phrase name was recorded in RAM in a different location in the DRAM. The system aborted the command.	Use the DRAMREC CI command FIND to verify the phrase name. Try the command again.
—continued—		

Table 15-29
RECORD command responses (continued)

Response	Meaning	User action
UNKNOWN CARD	The user did not enter the specified card in table DRAMS. The system aborted the command.	Try the command again with the correct card number or enter the card in table DRAMS, and try the command again
>record myphrase1 2 pad RECORDING ON DRAM 4 CARD NUMBER:16 USE TRUNK HSET 0	MAP response example for successful normal recording. Both the CM node and the DRAM node contain updated phrase information. Note: The system executed the CONNECT 4 HSET 0 command before the RECORD command.	There is no action required.
>record myphrase1 2 pad 4 16 35 force PHRASE RECORDED ON CARD :16	MAP response example for successful forced recording. The system updates the CM node with phrase information.	There is no action required.
—end—		

SITLOAD command

Use the SITLOAD command to put special information tones (SIT) data in RAM.

Do not use the SITLOAD command for 16-min EDRAM.

For any 16-min EDRAM, virtual memory cards of the card type PROM in table DRAMS can load any EDRAM card block. The memory cards can load the block with an announcement load file that contains SIT data. Examples of announcement load files include:

- ESTD0AA
- FSTD0BA
- ASTD0AB
- EMCCS0CA

Enter the filename in table EDRAMINV. Use the LOADPM command at the PM level of the MAP to load the file.

The SIT data is available from block numbers 0 and 1 when all virtual cards for the EDRAM are card type RAM in table DRAMS.

Use the ASSIGN command to define the SIT data on the CM node and make the SIT data available for the creation of announcements.

The following requirements apply to the SITLOAD command:

- Use of the SITLOAD command is not necessary in offices with PROM cards.
- Use the SITLOAD command when an office goes into service. Use the SITLOAD command when RAM card memory that contains SIT data is damaged or accidentally erased.
- Make sure the shelf that corresponds to the DRAM in use has two RAM cards. SIT data requires 4 s of speech time on each card.
- Use the ASSIGN command to notify the CM node that SIT phrase names exist, following successful use of the SITLOAD command.

Table 15-30 contains the syntax and parameter descriptions for the SITLOAD command.

Table 15-30
SITLOAD command description

Syntax		
SITLOAD <dram>		
Parameter	Value	Description
dram	0 to 63	Specifies the DRAM number for the DRAM or four min EDRAM entered in table DRAMS

The following table contains MAP response examples for the SITLOAD command.

Table 15-31
SITLOAD command responses

Response	Meaning	User action
SITLOAD NOT NEEDED FOR 1X80BA EDRAM	The user entered the card code specified in table DRAMS for the given DRAM number as 1X80BA. The system aborted the command.	Verify the specified DRAM number and the corresponding card code in table DRAMS. If the DRAM number represents a DRAM or four-min EDRAM, try the command again. Note: Do not use the SITLOAD command for the 16 min EDRAM (NT1X80BA).
INVALID CARD TYPE IN TABLE DRAMS	The card data in table DRAMS is not correct. The system aborted the command.	Verify the data in table DRAMS and the installed DRAM hardware. Try the command again.
NEGATIVE ACKNOWLEDGEMENT TO SITLOAD SETUP	The DRAM is responding to the SITLOAD command, but can not execute the command. The system aborted the command.	Run diagnostics on the DRAM and try the command again.
INVALID DRAM NUMBER	The DRAM number specified is outside the correct range. The system aborted the command.	Verify the data in table DRAMS and try the command again.
NO CARD DATA SITLOAD UNSUCCESSFUL TRY AGAIN	The user did not enter the card in table DRAMS or did not enter the card correctly. The system aborted the command.	Enter the correct card data in table DRAMS and try the command again.
NO DRAM CONTROLLER DATA SITLOAD UNSUCCESSFUL TRY AGAIN	The user did not enter the controller in table DRAMS or did not enter the controller correctly. The system aborted the command.	Verify the DRAM number. Enter the correct controller data in table DRAMS and try the command again.
NO DRAM RESPONSE TO SITLOAD SETUP	The DRAM is offline or is experiencing diagnostics. The system aborted the command.	Verify that the DRAM is in service and try the command again.
NO RAM CARDS PRESENT	The required RAM cards are not present. The system aborted the command.	Contact the next level of support.
—continued—		

Table 15-31
SITLOAD command responses (continued)

Response	Meaning	User action
SITLOAD UNSUCCESSFUL TRY AGAIN	The system was not able to execute the command. The system aborted the command.	Try the command again.
SIT TONES ALREADY EXIST ON PROM	The SIT tones already exist in PROM. The system aborted the command.	Contact the next level of support.
DRAM CURRENTLY IN USE	The specified DRAM is in use for audit, diagnostics, recording, or is connected to a headset trunk. The system aborted the command.	Use the DAMREC command DEBUG UNPROT <dram> to determine if the DRAM is not in use any longer. If the result is 2, use the DRAMREC DISCONNECT command. Try the SITLOAD command again when the result is 0.
SIT TONES ALREADY EXIST ON PROM SITLOAD UNSUCCESSFUL TRY AGAIN	The specified DRAM has PROM cards. The system aborted the command. Note: PROM cards do not use the SITLOAD command.	Verify the DRAM number and try the command again.
SECOND MEMORY CARD NOT IN DATAFILL SITLOAD UNSUCCESSFUL TRY AGAIN	DRAM must have at least two RAM or EEPROM cards to hold SIT data. The system aborted the command.	Verify data in table DRAMS and installed DRAM cards. Try the command again.
NO RAM OR EPROM CARDS FOUND SITLOAD UNSUCCESSFUL TRY AGAIN	DRAM must have at least two RAM or EEPROM cards to hold SIT data. The system aborted the command.	Verify data in table DRAMS and installed DRAM cards. Try the command again.
—continued—		

Table 15-31
SITLOAD command responses (continued)

Response	Meaning	User action
NEED TWO RAM OR EEPROM CARDS FOR SITLOAD SITLOAD UNSUCCESSFUL TRY AGAIN	DRAM must have at least two RAM or EEPROM cards to hold SIT data. The system aborted the command.	Verify data in table DRAMS and installed DRAM cards. Try the command again.
>sitload 5 LOADING SIT TONE IN RAM AREA SUCCESSFUL LOADING TAKES ABOUT 4 MIN SITDATA HAS BEEN SUCCESSFULLY LOADED	MAP response example for a successful SITLOAD command	There is no action required.
—end—		

Understanding DRAM and EDRAM translations

This chapter provides a description of the tables for the digital recorded announcement machine (DRAM) and the enhanced digital recorded announcement machine (EDRAM).

For more information about the datafilling procedures and the contents of the datafill tables, refer to the *Translations Guide*.

DRAM tables

This section provides a quick description of DRAM tables. The DRAM tables are common to loads BCS14 and up.

This section describes tables:

- ANNS
- ANNMEMS
- DRAMS
- DRAMTRK
- DRMUSERS

Table ANNS

Table ANNS defines

- the common language location identifier (CLLI) codes the system assigns to announcements
- the maximum number of simultaneous connections that can be made to one announcement
- the cycle time of the announcement
- the number of repetitions of the announcement

The cycle time of an announcement is important. Take caution when you datafill a field. Use the precise cycle timing for each announcement. The LENGTH column of the DRAMREC DISPLAY command response indicates the precise cycle timing for each announcement.

The STATUS field in the ANNS table communicates the announcement type to the DRAM system. The DRAM system can have standard announcements and special announcements. Two examples of announcements are: Mechanized Calling Card Service (MCCS) announcements and Calling Number Announcements (CNA).

Table ANNMEMS

Table ANNMEMS contains the assignments for each of the announcement members of the announcements. Table ANNS defines these announcements. Table ANNMEMS defines the tracks for the member of each announcement. Each announcement member can be assigned up to eight trunk circuits or channels on the maintenance trunk module (MTM) shelf. The DRAM is on the MTM shelf. The switch setting on the DRAM controller card determines the number of circuits or channels the MTM can activate.

All tracks of a single announcement member must reside in the same peripheral module (PM).

Table DRAMS

Table DRAMS contains information about the cards that constitute a DRAM.

The information includes:

- the location of the cards
- the arrangement of speech memory
- the common language location identifier (CLLI) of the trunk group of the cards

Table DRAMPHRS

Table DRAMPHRS provides a standard table control interface. The interface is to DRAM phrase information and data structures. Use table DRAMPHRS to dump and restore only. You must not enter information into table DRAMPHRS manually.

The DRAM phrase information in table DRAMPHRS includes

- the DRAM number
- the phrase name
- the internal phrase number
- the block number
- the phrase length
- if the phrase is recorded or assigned
- if a pad is used with the phrase (recorded phrases only)

- the start location for the phrase (recorded phrases only)

Table DRAMPHRS uses the ASSIGN, ERASE, POSITION, and RECORD commands to store information. The commands are in the DRAM recording (DRAMREC) utility.

The DRAMREC utility records and assigns the DRAM phrases.

Table DRAMTRK

Table DRAMTRK combines phrases to create messages. The messages play back as announcements. The phrases are assigned in programmable read-only memory (PROM) or recorded in random access memory (RAM). The DRAMEL utility assigns or records the phrases using the DRAMREC utility. Table DRAMTRK combines the phrases to create language tracks.



CAUTION

Risk of service interruption

Do not enter phrases that are assigned to different DRAMs or EDRAMs into a multiphrase announcement. If you combine phrases from different PMs, you can cause a PM to go to the system busy state.



CAUTION

Risk of service interruption

Do not enter phrases that are assigned to different DRAMs or EDRAMs into a multiphrase announcement. If you combine phrases from different PMs, you can cause a PM to go to the system busy state.

Table DRMUSERS

Table DRMUSERS contains a list of the announcements and phrases for the following special features:

- M CCS
- Auxiliary Operator Services System (AOSS)
- Automatic Coin Toll Services (ACTS)
- Call Forwarding Remote Activation (CFRA)
- Subscriber Activated Call Blocking (SACB)
- Deny Malicious Call Termination (DMCT)
- Customer Originated Trace (COT)

- Custom Local Area Signaling Service/Call Management Service (CLASS/CMS) features
- Notification of Time and Charge (NTC) service

Table DRMUSERS is like table DRAMTRK, but Table DRMUSERS is only for the features mentioned above.

Datafill sequence for DRAM

Enter data into table DRAMTRK before you enter data into table DRAMS. Enter data into table TMINV and CLLI before you enter a DRAM into table DRAMS. Enter data into table DRAMS before you enter data into table DRAMPHRS. Enter data into table DRAMPHRS before you enter data into tables DRAMTRK and DRMUSERS. Enter data into table ANNS before you enter data into table ANNMEMS.

EDRAM tables

The dedicated table EDRAMINV contains load file information for the EDRAM application. In addition, the modified tables CLLI, DRAMS and TMINV include EDRAM information.

Table TMINV

Table TMINV (table trunk module inventory) lists the assignment data for each trunk module. Assignment data includes the following:

- trunk module (TM) type and number
- floor, row, bay position, and mounting position of each TM
- type and number of the frame on which the TM is physically mounted
- network assignments
- product engineering code (PEC) of the TM
- issue name of the PM software
- the set of executable programs the PM requires

The TMTYPE subfield of the first (TMNM) field includes the DTM option. Specify this tuple before you enter data into table EDRAMINV.

Table EDRAMINV

Table EDRAMINV (EDRAM inventory) contains announcement file information for each EDRAM. Each 4 min EDRAM has up to eight single-density or four double-density announcement files. Each announcement file represents a different set of announcements. Each 16 min EDRAM has up to 32 single-density or 16 double-density announcement files.

Table DRAMS

EDRAM affects five fields of table DRAMS:

- Enter the correct card number into subfield CARD in field DRAMCARD.
- Enter the TMTYPE as DTM.
- Enter the TMCKT field as a trunk module circuit number (0 to 29) for a 4 min EDRAM. Enter the TMCKT field as 0 for a 16 min EDRAM.
- Enter the CARDCODE field as 1X80AA or 1X80BA.
- Enter subfield BLKLIST in field CARDINFO for the EDRAM type (4 min or 16 min).

All other DRAMS datafill remains the same.

Datafill sequence for EDRAM

When you enter data into the EDRAMINV table, observe the following guidelines:

- Before you enter data into EDRAMINV, enter the digital trunk module (DTM) that corresponds in table TMINV. When you remove a DTM, delete the EDRAMINV tuples before you delete the associated entries in table TMINV.
- Enter a maximum of eight announcement (ANN) tuples for each 4 min EDRAM. Enter the tuples in any order.
- Enter a maximum of 32 announcement (ANN) tuples for each 16 min EDRAM. Enter the tuples in any order.
- The EDRAM card type can change from PROM to RAM after the EDRAM is loaded with voice files. The following procedure updates the EDRAM
 - remove any data that assigns voice files to the DTM from table EDRAMINV, and
 - reload the EDRAM firmware load for the affected DTM.

Note: When you reload the EDRAM firmware for the affected DTM, you remove the loaded voice files from the EDRAM. The voice files in table EDRAMINV replace the voice files from the EDRAM. All the pages of the affected DTM can be RAM card types. If this condition is present, there is no entry for the DTM card in table EDRAMINV. The absence of an entry for the DTM card in table EDRAMINV makes space available to record custom announcements. Custom announcements are for the RAM card type pages. If you require uploaded custom announcement files, load the custom announcement files on cards entered in table DRAMS as RAM. The data you enter into the table EDRAMINV must have uploaded filenames. Refer to *Uploading EDRAM files to a storage device*.

Datafilling the Tone feature

The Tone feature uses the NT1X80AA/BA EDRAM card. With this card, this feature provides the receiver off-hook (ROH) tone or the milliwatt tone for 102 test trunks.

The following tables contain the datafill for both ROH tones and milliwatt tones for 102 test trunks.

- TMINV
- DRAMS
- EDRAMINV

Table STN contains the ROH tone-specific datafill.

The following tables contain 102 test trunk milliwatt tone-specific datafill

- TRKMEM
- TRKGRP (TTL2, ITL2)

Appendix A

EDRAM voice file contents

This appendix contains tables of enhanced digital recorded announcement machine (EDRAM) voice file contents (silences, phrases and tones). The EDRAM voice files are available with the NT1X80AA and the NT1X80BA EDRAM cards.

Enter the EDRAM voice file name in table EDRAMINV. Refer to the data schema section of the *Translations Guide*.

This appendix consists of the following announcements:

- English
- French
- Spanish

English announcements

This section consists of the following voice file contents:

- ACMSC0GE
- ACMSC0GF
- ACMSC0GG
- ACMSC0GH
- ACMSC0GJ
- ACMSC0GK
- ACMSC0GL
- ACMSC0GM
- ACMSC0GA
- ACMSC0GB
- ACMSC0GC
- ASTD0AB
- EAABS0HC

- EACCS0AH
- EACTS0AE
- EACTS0AE
- EAOSS0AF
- EAOSS0AG
- EARDT0JA
- EARDT0JB
- ECFRA0AM
- ECLS10AJ
- ECLS10AK
- ECLS20AP
- ECLS20AQ
- ECLS20AR
- ECLS20AS
- ECLS20AT
- ECLS20AU
- ECLS20AV
- ECLS20AW
- EMCCS0CA
- FAABS0HD

Voice file name ACMSC0GE

The following tables list the phrase IDs and content (silences, phrases or tones). This voice file is equivalent to DRAM card NT1X76GE.

ACMSC0GE English voice file contents for virtual card 0

Phrase ID	Total duration	Duration	Phrase name	Content
0	1.024			1 s silence
1				Test tone
	0.160			750 Hz tone
2				Prompt tone
		0.512		silence
		0.096		750 Hz tone
		0.032		silence
		0.096		750 Hz tone
		0.032		silence
		0.096		750 Hz tone
	0.992	0.128		silence
3	0.256			0.25 s silence
4	3.072	2.464		Your call block service is now on.
5	3.168	2.560		Your call block service is now off.
6	3.360	2.752		Your call selector service in now on.
7	3.456	2.848		Your call selector service in now off.
8	4.096	3.488		Your preferred call forwarding service is now on.
9	4.000	3.392		Your preferred call forwarding service is now off.
Note: Duration time is in seconds				
—continued—				

ACMSC0GE English voice file contents for virtual card 0 (continued)

Phrase ID	Total duration	Duration	Phrase name	Content
10	4.000	3.392		Your selective call acceptance service is now on.
11	4.064	3.456		Your selective call acceptance service is now off.
12	1.024	0.352		Class prompt tone
13	0.032			Pause
Note: Duration time is in seconds				
—end—				

ACMSC0GE English voice file contents for virtual card 1

Phrase ID	Total duration	Duration	Phrase name	Content
0	1.024			1 s silence
1				Test tone
	0.160			750 Hz tone
Note: Duration time is in seconds.				
—continued—				

ACMSC0GE English voice file contents for virtual card 1 (continued)

Phrase ID	Total duration	Duration	Phrase name	Content
2				Prompt tone
		0.512		silence
		0.096		750 Hz tone
		0.032		silence
		0.096		750 Hz tone
		0.032		silence
		0.096		750 Hz tone
	0.992	0.128		silence
3	0.256			0.25 s silence
4	8.224	6.944		If this number is correct, dial 1. If this number is not correct, dial 0.
5	1.952	1.280		Please dial now.
6	6.720	6.048		We are sorry. Please hang up now, consult your written instructions, and try again later.
7	7.264	6.048		We are sorry. Please hang up now, consult your written instructions, and try again later.
8	6.272	5.600		You may dial during the announcements for faster service. When you finish, hang up.
9	7.776	7.104		After hearing an entry, you may dial 0, 7 to delete the entry and continue reviewing your list.
Note: Duration time is in seconds.				
—end—				

Voice file name ACMC0GF

The following tables list the phrase IDs and content (silences, phrases or tones). This voice file is equivalent to DRAM card NT1X76GF.

ACMC0GF English voice file contents for virtual card 0

Phrase ID	Total duration	Duration	Phrase name	Content
0	1.024			1 s silence
1				Test tone
	0.160			750 Hz tone
2				Prompt tone
		0.512		silence
		0.096		750 Hz tone
		0.032		silence
		0.096		750 Hz tone
		0.032		silence
		0.096		750 Hz tone
	0.992	0.128		silence
3	0.256			0.25 s silence
4	3.072	2.464		Your call block service is now on.
5	3.168	2.560		Your call block service is now off.
6	3.456	2.848		Your priority call service in now on.
7	3.456	2.848		Your priority call service in now off.
8	3.552	2.944		Your select call forward service is now on.
9	3.552	2.994		Your select call forward service is now off.
10	4.000	3.392		Your selective call acceptance service is now on.
Note: Duration time is in seconds.				
—continued—				

ACMC0GF English voice file contents for virtual card 0 (continued)

Phrase ID	Total duration	Duration	Phrase name	Content
11	4.064	3.456		Your selective call acceptance service is now off.
12	1.024	0.352		Class prompt tone
13	0.032			Pause
Note: Duration time is in seconds.				
—end—				

ACMSC0GF English voice file contents for virtual card 1

Phrase ID	Total duration	Duration	Phrase name	Content
0	1.024			1 s silence
1				Test tone
2	0.160			750 Hz tone
				Prompt tone
		0.512		silence
		0.096		750 Hz tone
		0.032		silence
		0.096		750 Hz tone
		0.032		silence
		0.096		750 Hz tone
	0.992	0.128		silence
3	0.256			0.25 s silence
Note: Duration time is in seconds.				
—continued—				

ACMSC0GF English voice file contents for virtual card 1 (continued)

Phrase ID	Total duration	Duration	Phrase name	Content
4	8.224	6.944		If this number is correct, dial 1. If this number is not correct, dial 0.
5	1.952	1.280		Please dial now.
6	6.720	6.048		We are sorry. Please hang up now, consult your written instructions, and try again later.
7	7.264	6.048		We are sorry. Please hang up now, consult your written instructions, and try again later.
8	6.272	5.600		You may dial during the announcements for faster service. When you have finished, hang up.
9	7.776	7.104		After hearing an entry, you may dial 0, 7 to delete it and continue reviewing your list.
Note: Duration time is in seconds.				
—end—				

Voice file name ACMS0GG

The following tables list the phrase IDs and content (silences, phrases or tones). This voice file is equivalent to DRAM card NT1X76GG.

ACMS0GG English voice file contents for virtual card 0

Phrase ID	Total duration	Duration	Phrase name	Content
0	1.024			1 s silence
1				Test tone
	0.160			750 Hz tone
Note: Duration time is in seconds.				
—continued—				

ACMS0GG English voice file contents for virtual card 0 (continued)

Phrase ID	Total duration	Duration	Phrase name	Content
2	0.992	0.128		Prompt tone
				silence
				750 Hz tone
				silence
				750 Hz tone
				silence
				750 Hz tone
3	0.256			.25 s silence
4	3.744	3.136		Your selective call block service is on.
5	3.584	2.976		Your selective call block service is off.
6	3.680	3.072		Your selective ringing service in on.
7	3.392	2.784		Your selective ringing service in off.
8	4.064	3.456		Your selective call forwarding service is on.
9	4.000	3.392		Your selective call forwarding service is off.
10	4.000	3.392		Your selective call acceptance service is on.
11	4.064	3.456		Your selective call acceptance service is off.
12	1.024	0.352		Class prompt tone
13	0.032			Pause
Note: Duration time is in seconds.				
—end—				

ACMS0GG English voice file contents for virtual card 1

Phrase ID	Total duration	Duration	Phrase name	Content
0	1.024			1 s silence
1				Test tone
	0.160			750 Hz tone
2				Prompt tone
		0.512		silence
		0.096		750 Hz tone
		0.032		silence
		0.096		750 Hz tone
		0.032		silence
		0.096		750 Hz tone
	0.992	0.128		silence
3	0.256			.25 s silence
4	8.224	6.944		If this number is correct, dial 1. If this number is not correct, dial 0.
5	1.952	1.280		Please dial now.
6	6.720	6.048		We are sorry. Please hang up now, consult your instructions, and try again later.
7	7.264	6.048		We are sorry. Please hang up now, consult your instructions, and try again later.
Note: Duration time is in seconds.				
—continued—				

ACMS0GG English voice file contents for virtual card 1 (continued)

Phrase ID	Total duration	Duration	Phrase name	Content
8	6.272	5.600		You can dial during the announcements for quicker service. When you complete dialing hang up.
9	7.776	7.104		After you hear an entry, you can dial 0, 7 to delete the entry and continue to review your list.
Note: Duration time is in seconds.				
—end—				

Voice file name ACMC0GH

The following tables list the phrase IDs and content (silences, phrases or tones). This voice file is equivalent to DRAM card NT1X76GH.

ACMC0GH English voice file contents for virtual card 0

Phrase ID	Total duration	Duration	Phrase name	Content
0	1.024			1 s silence
1				Test tone
	0.160			750 Hz tone
Note: Duration time is in seconds.				
—continued—				

ACMC0GH English voice file contents for virtual card 0 (continued)

Phrase ID	Total duration	Duration	Phrase name	Content
2	0.992			Prompt tone
			0.512	silence
			0.096	750 Hz tone
			0.032	silence
			0.096	750 Hz tone
			0.032	silence
			0.096	750 Hz tone
3	0.256			.25 s silence
4	3.072	2.464		Your call block service is on.
5	3.168	2.560		Your call block service is off.
6	3.936	3.328		Your VIP alert service is on.
7	3.776	3.168		Your VIP alert service is off.
8	3.904	3.296		Your special call forwarding service is on.
9	4.128	3.520		Your special call forwarding service is off.
10	3.936	3.328		Your special call acceptance service is on.
11	3.648	3.040		Your special call acceptance service is off.
12	1.024	0.352		Class prompt tone
13	0.032			Pause
Note: Duration time is in seconds.				
—end—				

ACMC0GH English voice file contents for virtual card 1

Phrase ID	Total duration	Duration	Phrase name	Content
0	1.024			1 s silence
1				Test tone
	0.160			750 Hz tone
2				Prompt tone
		0.512		silence
		0.096		750 Hz tone
		0.032		silence
		0.096		750 Hz tone
		0.032		silence
		0.096		750 Hz tone
	0.992	0.128		silence
3	0.256			.25 s silence
4	8.224	6.944		If this number is correct, dial 1. If this number is not correct, dial 0.
5	1.952	1.280		Please dial now.
6	6.720	6.048		We are sorry. Please hang up now, consult your instructions, and try again later.
7	7.264	6.048		We are sorry. Please hang up now, consult your instructions, and try again later.
Note: Duration time is in seconds.				
—continued—				

ACMC0GH English voice file contents for virtual card 1 (continued)

Phrase ID	Total duration	Duration	Phrase name	Content
8	6.272	5.600		You can dial during the announcements for faster service. When you finish dialing, hang up.
9	7.776	7.104		After you hear an entry, you can dial 0, 7 to delete the entry. Continue to review your list.
Note: Duration time is in seconds.				
—end—				

Voice file name ACMSC0GJ

The following tables list the phrase IDs and content (silences, phrases or tones). This voice file is equivalent to DRAM card NT1X76GJ.

ACMSC0GJ English voice file contents for virtual card 0

Phrase ID	Total duration	Duration	Phrase name	Content
0	1.024			1 s silence
1				Test tone
	0.160			750 Hz tone
Note: Duration time is in seconds.				
—continued—				

ACMSC0GJ English voice file contents for virtual card 0 (continued)

Phrase ID	Total duration	Duration	Phrase name	Content
2	0.992			Prompt tone
		0.512		silence
		0.096		750 Hz tone
		0.032		silence
		0.096		750 Hz tone
		0.032		silence
		0.096		750 Hz tone
3	0.256	0.128		silence
4	3.072	2.464		.25 s silence
5	3.168	2.560		Your call block service is on.
6	3.520	2.912		Your call block service is off.
7	3.648	3.040		Your priority ringing service is on.
8	4.064	3.456		Your priority ringing service is off.
9	4.064	3.456		Your selective call forwarding service is on.
10	4.000	3.392		Your selective call forwarding service is off.
11	4.000	3.392		Your selective call acceptance service is on.
12	4.064	3.456		Your selective call acceptance service is off.
13	1.024	0.352		Class prompt tone
14	0.032			Pause
Note: Duration time is in seconds.				
—end—				

ACMSC0GJ English voice file contents for virtual card 1

Phrase ID	Total duration	Duration	Phrase name	Content
0	1.024			1 s silence
1				Test tone
	0.160			750 Hz tone
2				Prompt tone
		0.512		silence
		0.096		750 Hz tone
		0.032		silence
		0.096		750 Hz tone
		0.032		silence
		0.096		750 Hz tone
	0.992	0.128		silence
3	0.256			.25 s silence
4	8.224	6.944		If this number is correct, dial 1. If this number is not correct, dial 0.
5	1.952	1.280		Please dial now.
6	6.720	6.048		We are sorry. Please hang up now, consult your instructions, and try again later.
7	7.264	6.048		We are sorry. Please hang up now, consult your instructions, and try again later.
Note: Duration time is in seconds.				
—continued—				

ACMSC0GJ English voice file contents for virtual card 1 (continued)

Phrase ID	Total duration	Duration	Phrase name	Content
8	6.272	5.600		You can dial during the announcements for faster service. When you finish dialing, hang up.
9	7.776	7.104		After you hear an entry, you can dial 0, 7 to delete the entry. Continue to review your list.
Note: Duration time is in seconds.				
—end—				

Voice file name ACMSC0GK

The following tables list the phrase IDs and content (silences, phrases or tones). This voice file is equivalent to DRAM card NT1X76GK.

ACMSC0GK English voice file contents for virtual card 0

Phrase ID	Total duration	Duration	Phrase name	Content
0	1.024			1 s silence
1				Test tone
	0.160			750 Hz tone
Note: Duration time is in seconds.				
—continued—				

ACMSC0GK English voice file contents for virtual card 0 (continued)

Phrase ID	Total duration	Duration	Phrase name	Content
2	0.992			Prompt tone
		0.512		silence
		0.096		750 Hz tone
		0.032		silence
		0.096		750 Hz tone
		0.032		silence
		0.096		750 Hz tone
3	0.256			.25 s silence
4	3.328	2.720		Your call screening service is on.
5	3.392	2.784		Your call screening service is off.
6	3.648	3.040		Your specified ringing service is on.
7	3.552	2.944		Your specified ringing service is off.
8	4.096	3.488		Your preferred call forwarding service is on.
9	4.000	3.392		Your preferred call forwarding service is off.
10	4.000	3.392		Your selective call acceptance service is on.
11	4.064	3.456		Your selective call acceptance service is off.
12	1.024	0.352		Class prompt tone
13	0.032			Pause
Note: Duration time is in seconds.				
—end—				

ACMSC0GK English voice file contents for virtual card 1

Phrase ID	Total duration	Duration	Phrase name	Content
0	1.024			1 s silence
1				Test tone
	0.160			750 Hz tone
2				Prompt tone
		0.512		silence
		0.096		750 Hz tone
		0.032		silence
		0.096		750 Hz tone
		0.032		silence
		0.096		750 Hz tone
	0.992	0.128		silence
3	0.256			.25 s silence
4	8.224	6.944		If this number is correct, dial 1. If this number is not correct, dial 0.
5	1.952	1.280		Please dial now.
6	6.720	6.048		We are sorry. Please hang up now, consult your instructions. Try again later.
7	7.264	6.048		We are sorry. Please hang up now, consult your instructions, and try again later.
Note: Duration time is in seconds.				
—continued—				

ACMSC0GK English voice file contents for virtual card 1 (continued)

Phrase ID	Total duration	Duration	Phrase name	Content
8	6.272	5.600		You can dial during the announcements for faster service. When you finish dialing, hang up.
9	7.776	7.104		After you hear an entry, you can dial 0, 7 to delete the entry. Continue to review your list.
Note: Duration time is in seconds.				
—end—				

Voice file name ACMSC0GL

The following tables list the phrase IDs and content (silences, phrases or tones). This voice file is equivalent to DRAM card NT1X76GL.

ACMSC0GL English voice file contents for virtual card 0

Phrase ID	Total duration	Duration	Phrase name	Content
0	1.024			1 s silence
1				Test tone
	0.160			750 Hz tone
Note: Duration time is in seconds.				
—continued—				

ACMSC0GL English voice file contents for virtual card 0 (continued)

Phrase ID	Total duration	Duration	Phrase name	Content
2	0.992			Prompt tone
		0.512		silence
		0.096		750 Hz tone
		0.032		silence
		0.096		750 Hz tone
		0.032		silence
		0.096		750 Hz tone
3	0.256			.25 s silence
4	3.328	2.720		Your call blocker service is on.
5	3.392	2.784		Your call blocker service is off.
6	3.648	3.040		Your priority call service is on.
7	3.552	2.944		Your priority ringing service is off.
8	4.096	3.488		Your preferred call forwarding service is on.
9	4.000	3.392		Your preferred call forwarding service is off.
10	4.000	3.392		Your selective call acceptance service is on.
11	4.064	3.456		Your selective call acceptance service is off.
12	1.024	0.352		Class prompt tone
13	0.032			Pause
Note: Duration time is in seconds.				
—end—				

ACMSC0GL English voice file contents for virtual card 1

Phrase ID	Total duration	Duration	Phrase name	Content
0	1.024			1 s silence
1				Test tone
	0.160			750 Hz tone
2				Prompt tone
		0.512		silence
		0.096		750 Hz tone
		0.032		silence
		0.096		750 Hz tone
		0.032		silence
		0.096		750 Hz tone
	0.992	0.128		silence
3	0.256			.25 s silence
4	8.224	6.944		If this number is correct, dial 1. If this number is not correct, dial 0.
5	1.952	1.280		Please dial now.
6	6.720	6.048		We are sorry. Please hang up now, consult your instructions, and try again later.
7	7.264	6.048		We are sorry. Please hang up now, consult your instructions, and try again later.
Note: Duration time is in seconds.				
—continued—				

ACMSC0GL English voice file contents for virtual card 1 (continued)

Phrase ID	Total duration	Duration	Phrase name	Content
8	6.272	5.600		You can dial during the announcements for faster service. When you finish dialing, hang up.
9	7.776	7.104		After you hear an entry, you can dial 0, 7 to delete the entry. Continue to review your list.
Note: Duration time is in seconds.				
—end—				

Voice file name ACMSC0GM

The following tables list the phrase IDs and content (silences, phrases or tones). This voice file is equivalent to DRAM card NT1X76GM.

ACMSC0GM English voice file contents for virtual card 0

Phrase ID	Total duration	Duration	Phrase name	Content
0	1.024			1 s silence
1				test tone
	0.160			750 Hz tone
Note: Duration time is in seconds.				
—continued—				

ACMSC0GM English voice file contents for virtual card 0 (continued)

Phrase ID	Total duration	Duration	Phrase name	Content
2	0.992			prompt tone
		0.512		silence
		0.096		750 Hz tone
		0.032		silence
		0.096		750 Hz tone
		0.032		silence
		0.096		750 Hz tone
3	0.256	0.128		silence
4	2.816	2.816		0.25 s silence
5	2.656	2.656		Your Call Rejection service is on.
6	2.656	2.656		Your Call Rejection service is off.
7	3.264	3.264		Your Selective Call Acceptance service is on.
8	3.232	3.232		Your Selective Call Acceptance service is off.
9	3.456	3.456		Your Selective Call Forwarding service is on.
10	3.200	3.200		Your Selective Call Forwarding service is off.
11	2.944	2.944		Your Priority Call service is on.
12	2.720	2.720		Your Priority Call service is off.
	2.752	2.752		Your Avoid-a-call service is on.
Note: Duration time is in seconds.				
—continued—				

ACMSC0GM English voice file contents for virtual card 0 (continued)

Phrase ID	Total duration	Duration	Phrase name	Content
13	2.752	2.752		Your Avoid-a-call service is now off.
14	0.352	0.352		prompt tone
Note: Duration time is in seconds.				
—end—				

ACMSC0GM English voice file contents for virtual card 1

Phrase ID	Total duration	Duration	Phrase name	Content
0	1.024			1 s silence
1				test tone
	0.160			750 Hz tone
2				prompt tone
		0.512		silence
		0.096		750 Hz tone
		0.032		silence
		0.096		750 Hz tone
		0.032		silence
		0.096		750 Hz tone
	0.992	0.128		silence
3	0.256			0.25 s silence
4	6.304	6.304		If this number is correct, dial 1. If this number is not correct, dial 0.
5	1.376	1.376		Please dial now.
Note: Duration time is in seconds.				
—continued—				

ACMSC0GM English voice file contents for virtual card 1 (continued)

Phrase ID	Total duration	Duration	Phrase name	Content
6	6.080	6.080		We are sorry. Please hang up now, consult your written instructions, and try again later.
7	6.080	6.080		We are sorry. Please hang up now, consult your written instructions, and try again later.
8	5.280	5.280		You may dial during the announcements for faster service. When you have finished, hang up.
9	5.952	5.952		After hearing an entry, you may dial 0,7 to delete it, and continue reviewing your list.
Note: Duration time is in seconds.				
—end—				

Voice file name ACMSLOGA

The following tables list the phrase IDs and content (silences, phrases or tones). This voice file is equivalent to DRAM card NT1X76GA.

ACMSLOGA English voice file contents for virtual card 0

Phrase ID	Total duration	Duration	Phrase name	Content
0	1.024			1 s silence
1				Test tone
	0.160			750 Hz tone
Note: Duration time is in seconds.				
—continued—				

ACMSL0GA English voice file contents for virtual card 0 (continued)

Phrase ID	Total duration	Duration	Phrase name	Content
2	0.992			Prompt tone
			0.512	silence
			0.096	750 Hz tone
			0.032	silence
			0.096	750 Hz tone
			0.032	silence
			0.096	750 Hz tone
3	0.256	0.128		silence
4	2.752	2.208		including 11 private entries.
5	2.432	1.888		that includes 12 private entries.
6	2.720	2.176		that includes 13 private entries.
7	2.624	2.080		that includes 14 private entries.
8	2.528	1.984		that includes 15 private entries.
9	2.656	2.112		that includes 16 private entries.
10	2.784	2.240		that includes 17 private entries.
11	2.208	1.664		that includes one private entry.
12	2.304	1.760		that includes two private entries.
13	2.496	1.952		that includes three private entries.
14	2.304	1.760		that includes four private entries.
15	2.528	1.984		that includes five private entries.
16	2.624	2.080		that includes six private entries.
17	2.432	1.888		that includes seven private entries.
Note: Duration time is in seconds.				
—continued—				

ACMSL0GA English voice file contents for virtual card 0 (continued)

Phrase ID	Total duration	Duration	Phrase name	Content
18	2.368	1.824		that includes eight private entries.
19	2.560	2.016		that includes nine private entries.
Note: Duration time is in seconds.				
—end—				

ACMSL0GA English voice file contents for virtual card 1

Phrase ID	Total duration	Duration	Phrase name	Content
0	1.024			1 s silence
1				Test tone
	0.160			750 Hz tone
2				Prompt tone
		0.512		silence
		0.096		750 Hz tone
		0.032		silence
		0.096		750 Hz tone
		0.032		silence
		0.096		750 Hz tone
	0.992	0.128		silence
3	0.256			0.25 s silence
4	2.496	1.952		that includes 10 private entries.
Note: Duration time is in seconds.				
—continued—				

ACMSL0GA English voice file contents for virtual card 1 (continued)

Phrase ID	Total duration	Duration	Phrase name	Content
5	2.816	2.272		that includes 18 private entries.
6	2.624	2.080		that includes 19 private entries.
7	2.464	1.920		that includes 20 private entries.
8	2.752	2.208		that includes 21 private entries.
9	2.624	2.080		that includes 22 private entries.
10	2.816	2.272		that includes 23 private entries.
11	2.752	2.208		that includes 24 private entries.
12	2.752	2.208		that includes 25 private entries.
13	2.688	2.144		that includes 26 private entries.
14	2.752	2.208		that includes 27 private entries.
15	2.720	2.176		that includes 28 private entries.
16	2.848	2.304		that includes 29 private entries.
17	2.432	1.888		that includes 30 private entries.
18	2.752	2.208		that includes 31 private entries.
Note: Duration time is in seconds.				
—end—				

Voice file name ACMSLOGB

The following tables list the phrase IDs and content (silences, phrases or tones). This voice file is equivalent to DRAM card NT1X76GB.

ACMSLOGB English voice file contents for virtual card 0

Phrase ID	Total duration	Duration	Phrase name	Content
0	1.024			1 s silence
1				Test tone
	0.160			750 Hz tone
2				Prompt tone
		0.512		silence
		0.096		750 Hz tone
		0.032		silence
		0.096		750 Hz tone
		0.032		silence
		0.096		750 Hz tone
	0.992	0.128		silence
3	0.256			0.25 s silence
4	3.392	2.848		There are 13 private entries on your list.
5	3.424	2.880		There are 14 private entries on your list.
6	3.254	2.720		There are 15 private entries on your list.
7	3.296	2.752		There are 16 private entries on your list.
8	3.616	3.072		There are 17 private entries on your list.
9	3.552	3.008		There are 18 private entries on your list.
10	3.392	2.848		There are 19 private entries on your list.
11	3.264	2.720		There are 20 private entries on your list.
Note: Duration times in seconds.				
—continued—				

ACMSL0GB English voice file contents for virtual card 0 (continued)

Phrase ID	Total duration	Duration	Phrase name	Content
12	3.360	2.816		There are 21 private entries on your list.
13	3.328	2.784		There are 22 private entries on your list.
14	3.360	2.816		There are 23 private entries on your list.
Note: Duration time is in seconds.				
—end—				

ACMSL0GB English voice file contents for virtual card 1

Phrase ID	Total duration	Duration	Phrase name	Content
0	1.024			1 s silence
1				Test tone
	0.160			750 Hz tone
2				Prompt tone
		0.512		silence
		0.096		750 Hz tone
		0.032		silence
		0.096		750 Hz tone
		0.032		silence
		0.096		750 Hz tone
	0.992	0.128		silence
3	0.256			0.25 s silence
4	3.328	2.784		There are 24 private entries on your list.
Note: Duration time is in seconds.				
—continued—				

ACMSL0GB English voice file contents for virtual card 1 (continued)

Phrase ID	Total duration	Duration	Phrase name	Content
5	3.424	2.880		There are 25 private entries on your list.
6	3.392	2.848		There are 26 private entries on your list.
7	3.552	3.008		There are 27 private entries on your list.
8	2.912	2.368		There are 28 private entries on your list.
9	3.456	2.912		There are 29 private entries on your list.
10	2.720	2.176		There are 30 private entries on your list.
11	3.200	2.656		There are 31 private entries on your list.
12	4.224	3.552		Please try other options, or dial 0 for instructions.
Note: Duration time is in seconds.				
—end—				

Voice file name ACMSL0GC

The following tables list the phrase IDs and content (silences, phrases or tones). This voice file is equivalent to DRAM card NT1X76GC.

ACMSL0GC English voice file contents for virtual card 0

Phrase ID	Total duration	Duration	Phrase name	Content
0	1.024			1 s silence
1				Test tone
	0.160			750 Hz tone
Note: Duration time is in seconds.				
—continued—				

ACMSLOGC English voice file contents for virtual card 0 (continued)

Phrase ID	Total duration	Duration	Phrase name	Content
2	0.992			Prompt tone
		0.512		silence
		0.096		750 Hz tone
		0.032		silence
		0.096		750 Hz tone
		0.032		silence
		0.096		750 Hz tone
3	0.256	0.128		silence
4	2.688	2.144		0.25 s silence
5	2.880	2.336		There are 13 entries on your list.
6	2.752	2.208		There are 14 entries on your list.
7	2.880	2.336		There are 15 entries on your list.
8	2.880	2.336		There are 16 entries on your list.
9	2.688	2.144		There are 17 entries on your list.
10	2.912	2.368		There are 18 entries on your list.
11	2.656	2.112		There are 19 entries on your list.
12	3.008	2.464		There are 20 entries on your list.
13	2.912	2.368		There are 21 entries on your list.
14	3.072	2.528		There are 22 entries on your list.
Note: Duration time is in seconds.				
—continued—				

ACMSL0GC English voice file contents for virtual card 0 (continued)

Phrase ID	Total duration	Duration	Phrase name	Content
15	2.944	2.400		There are 24 entries on your list.
16	2.944	2.400		There are 25 entries on your list.
Note: Duration time is in seconds.				
—end—				

ACMSL0GC English voice file contents for virtual card 1

Phrase ID	Total duration	Duration	Phrase name	Content
0	1.024			1 s silence
1				Test tone
	0.160			750 Hz tone
2				Prompt tone
		0.512		silence
		0.096		750 Hz tone
		0.032		silence
		0.096		750 Hz tone
		0.032		silence
		0.096		750 Hz tone
	0.992	0.128		silence
3	0.256			0.25 s silence
4	2.816	2.272		There are 26 entries on your list.
5	3.008	2.464		There are 27 entries on your list.
Note: Duration time is in seconds.				
—continued—				

ACMSL0GC English voice file contents for virtual card 1 (continued)

Phrase ID	Total duration	Duration	Phrase name	Content
6	2.880	2.336		There are 28 entries on your list.
7	2.880	2.336		There are 29 entries on your list.
8	2.752	2.208		There are 30 entries on your list.
9	2.976	2.432		There are 31 entries on your list.
10	0.032			
11	0.640			
Note: Duration time is in seconds.				
—end—				

Voice file name ASTD0AB

The following tables list the phrase IDs and content (silences, phrases or tones). This voice file is equivalent to DRAM card NT1X76AB.

ASTD0AB English voice file contents virtual card 0

Phrase ID	Total duration	Duration	Phrase name	Content
0		1.024	–	1 s of silence
1		0.160	–	test tone 760 Hz at -13 dbm
2		0.992	–	prompt tone
3		0.512	–	0.5 s of silence
4 to 7		–	–	reserved phrase
8 to 39		–	SIT1 to SIT32	SIT reserved phrase to SIT collection 32 (refer to ATBD0AB English Special Information Tone (SIT) definitions)
Note 1: Duration time is in seconds.				
—continued—				

ASTD0AB English voice file contents virtual card 0 (continued)

Phrase ID	Total duration	Duration	Phrase name	Content
40		7.968	VCA	(vacant code) We're sorry, your call cannot be completed as dialed. Please check the number and dial again or call your operator to help you.
41		7.328	ROH	(receiver off hook) If you'd like to make a call, please hang up and try again. If you need help, hang up and then dial your operator.
42		8.608	CCSP	(coinless coin sent-paid) We're sorry, your call cannot be completed as dialed from the phone you are using. Please read the instruction card or call your operator to help you.
43		5.760	PDR	(partial digits received) We're sorry, your call did not go through. Will you please try your call again?
44		5.984	ATB	(all trunks busy) We're sorry, all circuits are busy now. Will you please try your call again later?
45		7.296	P1ND	(prefix 1 not dialed) We're sorry, you must first dial a one when calling this number. Will you please hang up and try your call again?
46		8.416	VDCF	(voice or data channel failure) We're sorry, due to telephone company facility trouble, your call cannot be completed at this time. Will you try your call again later?
48		7.776	P1D	(prefix 1 dialed) We're sorry, it is not necessary to dial a one when calling this number. Will you please hang up and try your call again?
Note 1: Duration time is in seconds.				
—end—				

ASTD0AB English voice file contents virtual card 1

Phrase ID	Total duration	Duration	Phrase name	Content
0		1.024	–	1 s of silence
1		0.160	–	test tone 760 Hz at -13 dbm
2		0.992	–	prompt tone
3		0.512	–	0.5 s of silence
4 to 7		–	–	reserved phrase
8 to 39		–	SIT1 to SIT32	SIT reserved phrase to SIT collection 32 (refer to ATBD0AB English Special Information Tone (SIT) definitions)
40		7.872	PND	(Prefix not dialed) We're sorry, you must first dial a one or zero when calling this number. Will you please hang up and try your call again?
47		0.608	digit 0	zero
48		0.608	digit 1	one
49		0.544	digit 2	two
50		0.544	digit 3	three
51		0.640	digit 4	four
52		0.768	digit 5	five
53		0.640	digit 6	six
54		0.672	digit 7	seven
Note 1: Duration time is in seconds.				
—continued—				

ASTD0AB English voice file contents virtual card 1 (continued)

Phrase ID	Total duration	Duration	Phrase name	Content
55		0.544	digit 8	eight
56		0.672	digit 9	nine
Note 1: Duration time is in seconds.				
—end—				

The following table defines the special information tones, timing and frequencies.

ATBD0AB English Special Information Tone (SIT) definitions

Phrase number hexadecimal	Phrase number decimal	Name	First tone	Second tone	Third tone
8	8	SIT1	1 short	1 short	1 short
9	9	SIT2	1 short	1 short	1 long
A	10	SIT3	1 short	1 long	1 short
B	11	SIT4	1 short	1 long	1 long
C	12	SIT5	1 short	1 short	1 short
D	13	SIT6	1 short	1 short	1 long
E	14	SIT7	1 short	1 long	1 short
F	15	SIT8	1 short	1 long	1 long
10	16	SIT9	1 long	1 short	1 short
11	17	SIT10	1 long	1 short	1 long
12	18	SIT11	1 long	1 long	1 short
Note: SIT components					
		First tone	Second tone	Third tone	
Frequencies (Hz)	low	913.8	1370.6	1776.7	
	high	985.2	1428.5	NA	
Duration (ms)	short	288			
	long	384			
—continued—					

ATBD0AB English Special Information Tone (SIT) definitions (continued)

Phrase number hexadecimal	Phrase number decimal	Name	First tone	Second tone	Third tone
13	19	SIT12	1 long	1 long	1 long
14	20	SIT13	1 long	1 short	1 short
15	21	SIT14	1 long	1 short	1 long
16	22	SIT15	1 long	1 long	1 short
17	23	SIT16	1 long	1 long	1 long
18	24	SIT17	1 short	1 short	1 short
19	25	SIT18	1 short	1 short	1 long
1A	26	SIT19	1 short	1 long	1 short
1B	27	SIT20	1 short	1 long	1 long
1C	28	SIT21	1 short	1 short	1 short
1D	29	SIT22	1 short	1 short	1 long
1E	30	SIT23	1 short	1 long	1 short
1F	31	SIT24	1 short	1 long	1 long
20	32	SIT25	1 long	1 short	1 short
21	33	SIT26	1 long	1 short	1 long
22	34	SIT27	1 long	1 long	1 short
23	35	SIT28	1 long	1 long	1 long
24	36	SIT29	1 long	1 short	1 short
25	37	SIT30	1 long	1 short	1 long
Note: SIT components					
		First tone	Second tone	Third tone	
Frequencies (Hz)	low	913.8	1370.6	1776.7	
	high	985.2	1428.5	NA	
Duration (ms)	short	288			
	long	384			
—continued—					

ATBD0AB English Special Information Tone (SIT) definitions (continued)

Phrase number hexadecimal	Phrase number decimal	Name	First tone	Second tone	Third tone
26	38	SIT31	1 long	1 long	1 short
27	39	SIT32	1 long	1 long	1 long
Note: SIT components					
		First tone	Second tone	Third tone	
Frequencies (Hz)	low	913.8	1370.6	1776.7	
	high	985.2	1428.5	NA	
Duration (ms)	short	288			
	long	384			
—end—					

Voice file name EAABS0HC

The following tables list the phrase IDs and content (silences, phrases or tones). This voice file is equivalent to DRAM card NT1X76HC.

EAABS0HC English voice file contents for virtual card 0

Phrase ID	Total duration	Duration	Phrase name	Content
5		2.816		The card number received is not valid.
	5.568	2.240		Please enter your card number again.
6		2.240		Please enter your calling card number
		2.304		or dial zero to reach an operator.
	6.464	1.344		This is a recording.
7		1.024		Please hang up,
	3.808	2.624		then dial zero and the number you are calling.
Note: Duration time is in seconds.				
—continued—				

EAABS0HC English voice file contents for virtual card 0 (continued)

Phrase ID	Total duration	Duration	Phrase name	Content
8		2.816		The card number received is not valid.
		1.024		Please hang up,
	7.072	2.624		then dial zero and the number you are calling.
9		2.176		An incorrect number was dialed.
		1.024		Please hang up,
	6.432	2.624		then dial zero and the number you are dialing.
10		2.176		An incorrect number was dialed.
	5.024	2.432		Please redial the number you are calling.
11	0.608	0.608		Thank you.
12	1.504	1.504		Invalid number.
13		0.928		We are sorry,
		1.664		your call did not go through.
		1.728		Please try your call again.
	6.720	1.344		This is a recording.
14		1.216		(CCC prompt tone)
		2.816		The card number received is not valid.
15	6.784	2.240		Please enter your card number again.
		1.216		(CCC prompt tone)
		2.240		Please enter your calling card number
		2.304		or dial zero to reach an operator.
	7.680	1.344		This is a recording.
Note: Duration time is in seconds.				
—continued—				

EAABS0HC English voice file contents for virtual card 0 (continued)

Phrase ID	Total duration	Duration	Phrase name	Content
16		1.216		(CCC prompt tone)
		1.024		Please hang up,
	5.024	2.624		then dial zero and the number you are calling.
17		1.216		(CCC prompt tone)
		2.816		The card number received is not valid.
		1.024		Please hang up,
18	8.288	2.624		then dial zero and the number you are calling.
		1.216		(CCC prompt tone)
		2.176		An incorrect number was dialed.
19		1.024		Please hang up,
	5.024	2.624		then dial zero and the number you are calling.
		1.216		(CCC prompt tone)
20		2.176		An incorrect number was dialed.
	6.240	2.432		Please redial the number you are calling.
		1.216		(CCC prompt tone)
21	1.824	0.608		Thank you.
		1.216		(CCC prompt tone)
	2.720	1.504		invalid number
Note: Duration time is in seconds.				
—continued—				

EAABS0HC English voice file contents for virtual card 0 (continued)

Phrase ID	Total duration	Duration	Phrase name	Content
22		1.216		(CCC prompt tone)
		0.928		We are sorry,
		1.664		your call did not go through.
		1.728		Please try your call again.
	7.936	1.344		This is a recording.
23	0.032	0.032		(32 ms silence)
24	0.160	0.160		(160 ms silence)
25	0.320	0.320		(320 ms silence)
26	0.480	0.480		(480 ms silence)
27	0.640	0.640		(640 ms silence)
28	0.800	0.800		(800 ms silence)
29	0.960	0.960		(960 ms silence)
Note: Duration time is in seconds.				
—end—				

EAABS0HC English voice file contents for virtual card 1

Phrase ID	Total duration	Duration	Phrase name	Content
5	1.920	1.920		Please enter your card number.
6	2.176	2.176		Please dial the number you are calling.
7	1.952	1.952		You may place another call now.
Note: Duration time is in seconds.				
—continued—				

EAABS0HC English voice file contents for virtual card 1 (continued)

Phrase ID	Total duration	Duration	Phrase name	Content
8	4.608	0.992		Valid number,
		1.216		unrestricted PIN,
		1.824		RAO unavailable.
9	4.064	0.992		Valid number,
		1.216		unrestricted PIN,
		0.960		RAO ...
10	3.968	0.992		Valid number,
		1.120		restricted PIN,
		0.960		RAO ...
11	0.704	0.640		0 (English digit–intonation 1)
12	0.608	0.480		1 (English digit–intonation 1)
13	0.640	0.448		2 (English digit–intonation 1)
14	0.608	0.480		3 (English digit–intonation 1)
15	0.608	0.480		4 (English digit–intonation 1)
16	0.672	0.608		5 (English digit–intonation 1)
17	0.640	0.512		6 (English digit–intonation 1)
18	0.640	0.544		7 (English digit–intonation 1)
19	0.608	0.352		8 (English digit–intonation 1)
20	0.672	0.608		9 (English digit–intonation 1)
21	0.736	0.672		0 (English digit–intonation 2)
22	0.672	0.544		1 (English digit–intonation 2)
23	0.704	0.416		2 (English digit–intonation 2)
24	0.704	0.448		3 (English digit–intonation 2)
25	0.704	0.384		4 (English digit–intonation 2)
Note: Duration time is in seconds.				
—continued—				

EAABS0HC English voice file contents for virtual card 1 (continued)

Phrase ID	Total duration	Duration	Phrase name	Content
26	0.704	0.512		5 (English digit–intonation 2)
27	0.704	0.576		6 (English digit–intonation 2)
28	0.704	0.512		7 (English digit–intonation 2)
29	0.736	0.352		8 (English digit–intonation 2)
30	0.672	0.544		9 (English digit–intonation 2)
31	0.640	0.512		0 (English digit–intonation 3)
32	0.576	0.416		1 (English digit–intonation 3)
33	0.576	0.320		2 (English digit–intonation 3)
34	0.576	0.384		3 (English digit–intonation 3)
35	0.576	0.384		4 (English digit–intonation 3)
36	0.608	0.448		5 (English digit–intonation 3)
37	0.640	0.512		6 (English digit–intonation 3)
38	0.608	0.480		7 (English digit–intonation 3)
39	0.608	0.384		8 (English digit–intonation 3)
40	0.640	0.544		9 (English digit–intonation 3)
41		1.216		(CCC prompt tone)
	3.136	1.920		Please enter your card number.
42		1.216		(CCC prompt tone)
	3.392	2.176		Please dial the number you are calling.
43		1.216		(CCC prompt tone)
	3.168	1.952		You may place another call now.
Note: Duration time is in seconds.				
—continued—				

EAABS0HC English voice file contents for virtual card 1 (continued)

Phrase ID	Total duration	Duration	Phrase name	Content
44		1.216		(CCC prompt tone)
		0.992		Valid number,
		1.216		unrestricted PIN,
	5.824	1.824		RAO unavailable.
45		1.216		(CCC prompt tone)
		0.992		Valid number,
		1.216		unrestricted PIN,
	4.960	0.960		RAO ...
46		1.216		(CCC prompt tone)
		0.992		Valid number,
		1.120		restricted PIN,
	4.684	0.960		RAO ...
47	0.032	0.032		(32 ms silence)
48	0.160	0.160		(160 ms silence)
49	0.320	0.320		(320 ms silence)
50	0.480	0.480		(480 ms silence)
51	0.640	0.640		(640 ms silence)
52	0.800	0.800		(800 ms silence)
53	0.960	0.960		(960 ms silence)
Note: Duration time is in seconds.				
—end—				

Voice file name EACCS0AH

The following tables list the phrase IDs and content (silences, phrases or tones). This voice file is equivalent to DRAM card NT1X76AH.

EACCS0AH English voice file contents for virtual card 0

Phrase ID	Total duration	Duration	Phrase name	Content
0	1.024			1 s of silence
1	0.160			test tone 750 Hz
2	0.992			prompt tone
3	0.256			0.25 s of silence
4	1.216		ACCSTONE	
5	5.568		ACCSENG2	The card number is not valid. Please enter your card number again.
6	6.464		ACCSENG1	Please enter your calling card number or dial zero to reach an operator. This is a recording.
7	3.808		ACCSENG9	Please hang up, then dial zero and the number you are calling.
8	7.072		ACCSENG4	The card number is not valid. Please hang up, then dial zero and the number you are calling.
9	6.432		ACCSENG8	An incorrect number was dialed. Please hang up, then dial zero and the number you are calling.
10	5.024		ACCSENG6	An incorrect number was dialed. Please redial the number you are calling.
11	0.608		ACCSENG16	Thank you.
Note: Duration time is in seconds.				
—continued—				

EACCS0AH English voice file contents for virtual card 0(continued)

Phrase ID	Total duration	Duration	Phrase name	Content
12	1.504		ACCSENG13	Invalid number.
13	6.720		ACCSENG15	We are sorry, your call did not go through. Please try your call again. This is a recording.
Note: Duration time is in seconds.				
—end—				

fEACCS0AH English voice file contents for virtual card 1

Phrase ID	Total duration	Duration	Phrase name	Content
0	1.024			1 s of silence
1	0.160			test tone 750 Hz
2	0.992			prompt tone
3	0.256		ACCSPAUSE	0.25 s of silence
4	1.216		ACCSTONE	
5	1.920		ACCSENG3	Please enter your card number.
6	2.176		ACCSENG7	Please dial the number you are calling.
7	1.952		ACCSENG5	You may place another call now.
8	4.608		ACCSENG12	Valid number, unrestricted PIN, RAO unavailable.
9	4.064		ACCSENG10	Valid number, unrestricted PIN, RAO ...
10	3.968		ACCSENG11	Valid number, restricted PIN, RAO ...
11	0.704		CENR0	zero (rising inflection)
12	0.608		CENR1	one
13	0.640		CENR2	two
14	0.608		CENR3	three
Note: Duration time is in seconds.				
—continued—				

fEACCS0AH English voice file contents for virtual card 1 (continued)

Phrase ID	Total duration	Duration	Phrase name	Content
15	0.608		CENR4	four
16	0.672		CENR5	five
17	0.640		CENR6	six
18	0.640		CENR7	seven
19	0.608		CENR8	eight
20	0.672		CENR9	nine
21	0.736		ENG0	zero (flat A intonation)
22	0.672		ENG1	one
23	0.704		ENG2	two
24	0.704		ENG3	three
25	0.704		ENG4	four
26	0.704		ENG5	five
27	0.704		ENG6	six
28	0.704		ENG7	seven
29	0.736		ENG8	eight
30	0.672		ENG9	nine
31	0.640		CENF0	zero (falling intonation)
32	0.576		CENF1	one
33	0.576		CENF2	two
34	0.576		CENF3	three
35	0.576		CENF4	four
36	0.608		CENF5	five
37	0.640		CENF6	six
38	0.608		CENF7	seven
Note: Duration time is in seconds.				
—continued—				

fEACCS0AH English voice file contents for virtual card 1 (continued)

Phrase ID	Total duration	Duration	Phrase name	Content
38	0.608		CENF8	eight
40	0.640		CENF9	nine
Note: Duration time is in seconds.				
—end—				

Voice file name EACTS0AE

The following tables list the phrase IDs and content (silences, phrases or tones). This voice file is equivalent to DRAM card NT1X76AE.

EACTS0AE English voice file contents for virtual card 0

Phrase ID	Total duration	Duration	Phrase name	Content
0	1.024		—	1 s of silence
1	0.160		—	test tone 760 Hz at -13dbm
2	0.992		—	prompt tone
3	0.512		—	0.5 s of silence
4	0.256		—	0.25 s of silence
5	0.512			ACTS alert tone
6	—		—	reserved
7	—		—	reserved
8	0.576		plsbos	Please (beginning of sentence)
9	0.416		min	minute
10	0.640		mins	minutes
11	0.704		plseos	Please (end of sentence)
12	1.184		plsdep	Please deposit
Note: Duration time is in seconds.				
—continued—				

EACTS0AE English voice file contents for virtual card 0 (continued)

Phrase ID	Total duration	Duration	Phrase name	Content
13	5.792		dep	Deposit. Please hang up momentarily, listen for dial tone, deposit
14	1.024		osos	one s of silence
15	1.024		osos	one s of silence
16	0.512		10	ten
17	0.672		11	eleven
18	0.640		12	twelve
19	0.864		13	thirteen
20	0.928		14	fourteen
21	0.736		15	fifteen
22	0.768		16	sixteen
23	0.960		17	seventeen
24	0.800		18	eighteen
25	0.928		19	nineteen
26 to 31	1.024		osos	1 s of silence
32	0.512		20	twenty
33	0.608		30	thirty
34	0.640		40	forty
35	0.480		50	fifty
36	0.640		60	sixty
37	0.512		70	seventy
38	0.416		80	eighty
39	0.576		90	ninety
40	0.608		100	hundred
41	0.704		1000	thousand
42	0.544		dol	dollar
43	0.672		dols	dollars
Note: Duration time is in seconds.				
—continued—				

EACTS0AE English voice file contents for virtual card 0 (continued)

Phrase ID	Total duration	Duration	Phrase name	Content
44	0.480		cent	cent
45	0.640		cents	cents
46	0.448		and	and
47	0.512		more	more
48	0.640		digit 0	zero
49	0.512		digit 1	one
50	0.480		digit 2	two
51	0.672		digit 3	three
52	0.672		digit 4	four
53	0.672		digit 5	five
54	0.608		digit 6	six
55	0.672		digit 7	seven
56	0.544		digit 8	eight
57	0.576		digit 9	nine
58	0.256		qsos	0.25 s of silence
59	0.512		hsos	0.5 s of silence
60	0.992		prompt	prompt tone (includes 0.5 s of silence)
61	0.160		tst	test tone
62	1.024		osos	1 s of silence
63	0.512		alton	ACTS alerting tone
Note: Duration time is in seconds.				
—end—				

EACTS0AE English voice file contents for virtual card 1

Phrase ID	Total duration	Duration	Phrase name	Content
0	1.024		—	1 s of silence
1	0.160		—	test tone 760 Hz at -13dbm

EACTS0AE English voice file contents for virtual card 1 (continued)

Phrase ID	Total duration	Duration	Phrase name	Content
2	0.992	–		prompt tone
3	0.512	–		0.5 s of silence
4	0.256	–		0.25 s of silence
5 to 7	–			reserved
8	0.576		pls	Please
9	0.280		plsdep	Please deposit
10	0.672		ftf	for the first
11	1.568		tnkuuh	Thank you. You have
12	2.144		crtoov	credit toward overtime
13	0.736		tnku	Thank you
14	3.072		plsig	has ended. Please signal when through
15	0.896		ftp	for the past
16	1.120		chgsr	the charges are
17	1.824		plustx	plus tax for
18	0.832		end	has ended.
19	2.784		ctstdn	Coin test. Please deposit nickel
20	2.816		ctstdn	Coin test. Please deposit dime
21	2.848		ctstd	Coin test. Please deposit quarter
22	0.544		nkl	nickel
23	0.576		dime	dime
24	0.608		qrtr	quarter
25	1.408		tstend	test has ended
26	0.864		ftn	for the next
27	2.496		cldisc	or your call will be disconnected
28	3.072		clreq	the call you made requires a
29	1.024		osos	1 s of silence
Note: Duration time is in seconds.				
—continued—				

EACTS0AE English voice file contents for virtual card 1 (continued)

Phrase ID	Total duration	Duration	Phrase name	Content
30	3.968		dlagn	and dial your call again. This is a recording.
31	0.768		sec	second
32	0.800		secs	seconds
33	0.800		plseos	please (end of sentence)
34	0.704		dep	deposit (noun)
35	0.832		uhave	you have
36	0.512		cr	credit
37 to 57	1.024		osos	1 s of silence
58	0.256		qsos	0.25 s of silence
59	0.512		hsos	0.5 s of silence
60	0.992		prompt	prompt tone
61	0.160		tstton	test tone
62	1.024		osos	1 s of silence
63	1.024		osos	1 s of silence
Note: Duration time is in seconds.				
—end—				

Voice file name EAOSS0AF

The following tables list the phrase IDs and content (silences, phrases or tones). This voice file is equivalent to DRAM card NT1X76AF.

EAOSS0AF English voice file contents for virtual card 0

Phrase ID	Total duration	Duration	Phrase name	Content
0	1.024			1 s silence
1	0.160			test tone 750 Hz at -13 dbm
2	0.992			prompt tone
3	0.512			0.5 s of silence
4	1.536		AVRE02	Has been changed to
5	4.960		AVRE03	Has been changed to a nonpublished number. It is not listed in our records.
6	5.696		AVRE04	Has been changed. You can call toll free: one, eight-hundred,
7	1.184		AVRE05	Has been disconnected.
8	3.712		AVRE06	Has been disconnected. The customer can be reached at
9	5.888		AVRE07	Has been disconnected. You can call toll free: one, eight-hundred,
10	3.072		AVRE10	Has moved. Service has been disconnected.
11	5.152		AVRE17	At the customer's request, service has been temporarily disconnected.
12	7.776		AVRE18	At the customer's request, service has been temporarily disconnected. The customer can be reached at
13	6.240		AVRE19	At the customer's request, the number is nonpublished. It is not listed in our records.
14	3.168		AVRE20	At the customer's request, the service at
15	3.584		AVRE23	Due to fire, service has been disconnected.
Note: Duration time is in seconds				
—continued—				

EAOSS0AF English voice file contents for virtual card 0 (continued)

Phrase ID	Total duration	Duration	Phrase name	Content
16	6.208		AVRE24	Due to fire, service has been disconnected. The customer can be reached at
17	2.496		AVRE25	Due to fire, the service at
18	2.784		AVRE26	I repeat.
19	3.744		AVRE27	I repeat, the number is:
20	4.480		AVRE28	I repeat, the number is: one,
21	6.016		AVRE29	I repeat, the toll-free number is: one, eight-hundred
22	2.144		AVRE36	Service has been disconnected.
23	4.896		AVRE37	Service has been disconnected. The customer can be reached at
24	6.944		AVRE38	Service is disconnected. You can now call toll free: one, eight-hundred
25	4.224		AVRE42	The customer moved. Service has been disconnected.
26	6.848		AVRE50	The number has changed. You can now call toll free: one, eight-hundred,
27	1.536		AVRE51	The number is:
28	2.400		AVRE52	The number is: one,
29	3.936		AVRE55	The toll-free number is: one, eight-hundred,
30	0.864		AVRE59	One
31	1.152		AVRE60	Eight-hundred
32	2.016		AVRE61	One, eight-hundred
Note: Duration time is in seconds				
—end—				

EAOSS0AF English voice file contents for virtual card 1

Phrase ID	Total duration	Duration	Phrase name	Content
0	1.024			1 s silence
1	0.160			test tone 750 Hz at -13 dbm
2	0.992			prompt tone
3	0.512			0.5 s silence
4	1.824		AVRE08	Has been temporarily disconnected.
5	4.320		AVRE09	Has been temporarily disconnected. The customer can be reached at
6	3.872		AVRE12	Is being checked for trouble. Please try your call again later.
7	3.456		AVRE13	Is moving. The new service is not yet connected.
8	1.760		AVRE15	Is temporarily out of order.
9	4.288		AVRE16	Is temporarily out of order. Calls are being taken at
10	5.920		AVRE31	If you need assistance, please stay on the line. An operator will return.
11	5.952		AVRE32	If you need assistance, please stay on the line. An operator will return.
12	2.368		AVRE34	It is no longer a free call.
13	4.224		AVRE35	It is no longer a free call. You may call collect.
14	1.216		AVRE41	The customer at
15	4.800		AVRE43	The customer is moving. The new service in not yet connected.
16	4.864		AVRE45	The line is being checked for trouble. Please try your call again later.
17	2.784		AVRE46	The line is temporarily out of order.
Note: Duration time is in seconds.				
—continued—				

EAOSS0AF English voice file contents for virtual card 1 (continued)

Phrase ID	Total duration	Duration	Phrase name	Content
18	5.312		AVRE47	The line is temporarily out of order. Calls are being taken at
19	3.712		AVRE62	Should be in service. Please try your call again
Note: Duration time is in seconds.				
—end—				

Voice file name EAOSS0AG

The following tables list the phrase IDs and content (silences, phrases or tones). This voice file is equivalent to DRAM card NT1X76AF.

EAOSS0AG English voice file contents for virtual card 0

Phrase ID	Total duration	Duration	Phrase name	Content
1	0.160			test tone 760 Hz at -13 dbm
2	0.992			prompt tone
3	0.512			0.5 s of silence
4	2.272		AVRE01	are being temporarily taken at
5	2.592		AVRE11	is equipped for outgoing service only
6	1.440		AVRE14	is not yet connected
7	3.232		AVRE21	calls are being temporarily taken at
8	1.440		AVRE22	calls for
9	1.280		AVRE30	I'm sorry
10	5.184		AVRE33	It has been changed to a nonpublished number and is not listed in our records.
11	3.072		AVRE39	Service has been temporarily disconnected.
Note: Duration time is in seconds.				
—continued—				

EAOSS0AG English voice file contents for virtual card 0 (continued)

Phrase ID	Total duration	Duration	Phrase name	Content
12	3.328		AVRE40	That line is equipped for outgoing service only.
13	1.216		AVRE44	the line at
14	0.928		AVRE48	the number
15	2.592		AVRE49	the number has been changed to
16	1.312		AVRE53	the service at
17	2.688		AVRE54	The service is not yet connected.
18	1.792		AVRE56	there is no service at
19	2.624		AVRE57	There is no service at this number.
20	1.312		AVRE58	you have reached
Note: Duration time is in seconds.				
—end—				

EAOSS0AG English voice file contents for virtual card 1

Phrase ID	Total duration	Duration	Phrase name	Content
0	1.024			1 s of silence
1	0.160			test tone 760 Hz at -13 dbm
2	0.992			prompt tone
3	0.512			0.5 s of silence
4	1		EHIR10	zero (high rising intonation)
5	1		EHIR11	one
6	1		EHIR12	two
7	1		EHIR13	three
8	1		EHIR14	four
Note: Duration time is in seconds.				
—continued—				

EAOSS0AG English voice file contents for virtual card 1 (continued)

Phrase ID	Total duration	Duration	Phrase name	Content
9	1		EHIR15	five
10	1		EHIR16	six
11	1		EHIR17	seven
12	1		EHIR18	eight
13	1		EHIR19	nine
14	1		ELORI0	zero (low rising intonation)
15	1		ELORI1	one
16	1		ELORI2	two
17	1		ELORI3	three
18	1		ELORI4	four
19	1		ELORI5	five
20	1		ELORI6	six
21	1		ELORI7	seven
22	1		ELORI8	eight
23	1		ELORI9	nine
24	1		EWAVE0	zero (falling, rising intonation)
25	1		EWAVE1	one
26	1		EWAVE2	two
27	1		EWAVE3	three
28	1		EWAVE4	four
29	1		EWAVE5	five
30	1		EWAVE6	six
31	1		EWAVE7	seven
32	1		EWAVE8	eight
33	1		EWAVE9	nine
34	1		EFALL0	zero (falling intonation)
Note: Duration time is in seconds.				
—continued—				

EAOSS0AG English voice file contents for virtual card 1 (continued)

Phrase ID	Total duration	Duration	Phrase name	Content
35	1		EFALL1	one
36	1		EFALL2	two
37	1		EFALL3	three
38	1		EFALL4	four
39	1		EFALL5	five
40	1		EFALL6	six
41	1		EFALL7	seven
42	1		EFALL8	eight
43	1		EFALL9	nine
44	1		EFLTA0	zero (flat A intonation)
45	1		EFLTA1	one
46	1		EFLTA2	two
47	1		EFLTA3	three
48	1		EFLTA4	four
49	1		EFLTA5	five
50	1		EFLTA6	six
51	1		EFLTA7	seven
52	1		EFLTA8	eight
53	1		EFLTA9	nine
54	1		EFLTB0	zero (flat B intonation)
55	1		EFLTB1	one
56	1		EFLTB2	two
57	1		EFLTB3	three
58	1		EFLTB4	four
59	1		EFLTB5	five
60	1		EFLTB6	six
Note: Duration time is in seconds.				
—continued—				

EAOSS0AG English voice file contents for virtual card 1 (continued)

Phrase ID	Total duration	Duration	Phrase name	Content
61	1		EFLTB7	seven
62	1		EFLTB8	eight
63	1		EFLTB9	nine
Note: Duration time is in seconds.				
—end—				

Voice file name EARDT0JA

The following tables list the phrase IDs and content (silences, phrases or tones). This voice file is equivalent to DRAM card NT1X76JA.

EARDT0JA English voice file contents for virtual card 0

Phrase ID	Total duration	Duration	Phrase name	Content
0	1.024			1 s silence
1	0.160			test tone 760 Hz at -13 dBm
2	0.992			prompt tone
3	0.512			0.5 s of silence
4	1.0			zero (high rising intonation)
5	1.0			one
6	1.0			two
7	1.0			three
8	1.0			four
9	1.0			five
10	1.0			six
11	1.0			seven
12	1.0			eight
13	1.0			nine
14	1.0			zero (low rising intonation)
15	1.0			one
16	1.0			two
17	1.0			three
18	1.0			four
19	1.0			five
20	1.0			six
21	1.0			seven
22	1.0			eight
Note: Duration time is in seconds.				
—continued—				

EARDT0JA English voice file contents for virtual card 0 (continued)

Phrase ID	Total duration	Duration	Phrase name	Content
23	1.0			nine
24	1.0			zero (falling/rising intonation)
25	1.0			one
26	1.0			two
27	1.0			three
28	1.0			four
29	1.0			five
30	1.0			six
31	1.0			seven
32	1.0			eight
33	1.0			nine
34	1.0			zero (falling intonation)
35	1.0			one
36	1.0			two
37	1.0			three
38	1.0			four
39	1.0			five
40	1.0			six
41	1.0			seven
42	1.0			eight
43	1.0			nine
44	1.0			zero (flat A intonation)
45	1.0			one
46	1.0			two
47	1.0			three
48	1.0			four
Note: Duration time is in seconds.				
—continued—				

EARDT0JA English voice file contents for virtual card 0 (continued)

Phrase ID	Total duration	Duration	Phrase name	Content
49	1.0			five
50	1.0			six
51	1.0			seven
52	1.0			eight
53	1.0			nine
54	1.0			zero (flat B intonation)
55	1.0			one
56	1.0			two
57	1.0			three
Note: Duration time is in seconds.				
—end—				

EARDT0JA English voice file contents for virtual card 1

Phrase ID	Total duration	Duration	Phrase name	Content
0	1.024			1 s silence
1				test tone
	0.160			750 Hz tone
Note: Duration time is in seconds.				
—continued—				

EARDT0JA English voice file contents for virtual card 1 (continued)

Phrase ID	Total duration	Duration	Phrase name	Content
2				prompt tone
		0.512		silence
		0.096		750 Hz tone
		0.032		silence
		0.096		750 Hz tone
		0.032		silence
		0.096		750 Hz tone
	0.992	0.128		silence
3	0.256			0.25 s silence
4	2.368	2.176		The last number that called your line was:
5	2.208	1.888		This call was received on:
6		2.848		The last number that called your line cannot be given out.
	5.088	1.888		This call was received on:
7		3.712		We're sorry, the last number that called your line is not known.
	5.952	1.888		This call was received on:
8		1.056		To call this number,
	4.544	3.136		enter "one"; otherwise, hang up now.
9	1.440	1.248		Please hang up now.
10	1.984	1.952		Calls that are not accepted will be
11	1.472	1.248		forwarded to
12	0.832	0.736		forwarded.
13	0.736	0.672		denied.
Note: Duration time is in seconds.				
—continued—				

EARDT0JA English voice file contents for virtual card 1 (continued)

Phrase ID	Total duration	Duration	Phrase name	Content
14	3.104	2.912		To change the treatment of calls that are not accepted,
15	1.248	1.184		dial 4.
16		1.536		To confirm this treatment,
	3.104	1.216		dial 1.
17	1.600	1.536		To change this treatment,
18	0.032			
19	0.160			
20		1.280		dial 0.
	2.944	1.312		Please dial now.
Note: Duration time is in seconds.				
—end—				

Voice file name EARDT0JB

The following tables list the phrase IDs and content (silences, phrases or tones). This voice file is equivalent to DRAM card NT1X76JB.

EARDT0JB English voice file contents for virtual card 0

Phrase ID	Total duration	Duration	Phrase name	Content.
0	1.024			1 s silence
1	0.160			test tone
				750 Hz tone
Note: Duration time is in seconds.				
—continued—				

EARDT0JB English voice file contents for virtual card 0 (continued)

Phrase ID	Total duration	Duration	Phrase name	Content.
2				prompt tone
		0.512		silence
		0.096		750 Hz tone
		0.032		silence
		0.096		750 Hz tone
		0.032		silence
		0.096		750 Hz tone
	0.992	0.128		silence
3	0.256			0.25 s silence
4	0.928	0.864		January,
5	0.928	0.864		February,
6	0.864	0.800		March,
7	0.576	0.512		April,
8	0.544	0.480		May,
9	0.576	0.512		June,
10	0.736	0.672		July,
11	0.640	0.576		August,
12	0.800	0.736		September,
13	0.768	0.704		October,
14	0.768	0.704		November,
15	0.768	0.704		December,
16	0.800	0.736		AM.
17	0.864	0.800		PM.
18	0.448	0.384		at,
Note: Duration time is in seconds.				
—continued—				

EARDT0JB English voice file contents for virtual card 0 (continued)

Phrase ID	Total duration	Duration	Phrase name	Content.
19	0.736	0.672		oh one,
20	0.704	0.640		oh two,
21	0.864	0.800		oh three,
22	0.768	0.704		oh four,
23	0.928	0.864		oh five,
24	0.768	0.704		oh six,
25	0.928	0.864		oh seven,
26	0.736	0.672		oh eight,
27	0.832	0.768		oh nine,
28	0.544	0.480		one,
29	0.544	0.480		two,
30	0.608	0.544		three,
31	0.608	0.544		four,
32	0.704	0.640		five,
33	0.640	0.576		six,
34	0.640	0.576		seven,
35	0.512	0.448		eight,
36	0.672	0.608		nine,
37	0.544	0.480		ten,
38	0.672	0.608		eleven,
39	0.640	0.576		twelve,
40	0.736	0.672		thirteen,
41	0.896	0.832		fourteen,
42	0.832	0.768		fifteen,
43	0.928	0.864		sixteen,
44	1.024	0.960		seventeen,
Note: Duration time is in seconds.				
—continued—				

EARDT0JB English voice file contents for virtual card 0 (continued)

Phrase ID	Total duration	Duration	Phrase name	Content.
45	0.800	0.736		eighteen,
46	0.896	0.832		nineteen,
47	0.640	0.576		twenty,
48	0.832	0.768		twenty-one,
49	0.864	0.800		twenty-two,
50	0.864	0.800		twenty-three,
Note: Duration time is in seconds.				
—end—				

EARDT0JB English voice file contents for virtual card 1

Phrase ID	Total duration	Duration	Total duration	Content
0	1.024		1.024	one s silence
1				test tone
	0.160		0.160	750 Hz tone
Note: Duration is in seconds.				
—continued—				

EARDT0JB English voice file contents for virtual card 1 (continued)

Phrase ID	Total duration	Duration	Total duration	Content
2				prompt tone
		0.512		silence
		0.096		750 Hz tone
		0.032		silence
		0.096		750 Hz tone
		0.032		silence
		0.096		750 Hz tone
	0.992	0.128	0.992	silence
3	0.256		0.256	0.25 s silence
4	0.960	0.896	0.960	twenty-four,
5	0.960	0.896	0.960	twenty-five,
6	0.992	0.928	0.992	twenty-six,
7	0.960	0.896	0.960	twenty-seven,
8	0.768	0.704	0.768	twenty-eight,
9	0.928	0.864	0.928	twenty-nine,
10	0.608	0.544	0.608	thirty,
11	0.832	0.768	0.832	thirty-one,
12	0.864	0.800	0.864	thirty-two,
13	0.960	0.896	0.960	thirty-three,
14	0.960	0.896	0.960	thirty-four,
15	0.960	0.896	0.960	thirty-five,
16	0.992	0.928	0.992	thirty-six,
17	0.864	0.800	0.864	thirty-seven,
18	0.736	0.672	0.736	thirty-eight,
Note: Duration is in seconds.				
—continued—				

EARDT0JB English voice file contents for virtual card 1 (continued)

Phrase ID	Total duration	Duration	Total duration	Content
19	0.928	0.864	0.928	thirty-nine,
20	0.672	0.608	0.672	forty,
21	0.896	0.832	0.896	forty-one,
22	0.928	0.864	0.928	forty-two,
23	0.960	0.896	0.960	forty-three,
24	0.928	0.864	0.928	forty-four,
25	1.056	0.992	1.056	forty-five,
26	1.056	0.992	1.056	forty-six,
27	0.896	0.832	0.896	forty-seven,
28	0.864	0.800	0.864	forty-eight,
29	0.928	0.864	0.928	forty-nine,
30	0.672	0.608	0.672	fifty,
31	0.896	0.832	0.896	fifty-one,
32	0.832	0.768	0.832	fifty-two,
33	0.928	0.864	0.928	fifty-three,
34	0.960	0.896	0.960	fifty-four,
35	0.960	0.896	0.960	fifty-five,
36	0.960	0.896	0.960	fifty-six,
37	0.896	0.832	0.896	fifty-seven,
38	0.896	0.832	0.896	fifty-eight,
39	1.024	0.960	1.024	fifty-nine,
Note: Duration is in seconds.				
—end—				

Voice file name ECFRA0AM

The following tables list the phrase IDs and content (silences, phrases or tones). This voice file is equivalent to DRAM card NT1X76AM.

ECFRA0AM English voice file contents for virtual card 0

Phrase ID	Total duration	Duration	Phrase name	Content
0	1.024			1 s silence
1				Test tone
	0.160			750 Hz tone
2				Prompt tone
		0.512		silence
		0.096		750 Hz tone
		0.032		silence
		0.096		750 Hz ton
		0.032		silence
		0.096		750 Hz tone
	0.992	0.128		silence
3	0.256			.25 s silence
4	3.552	2.816		Calls to your telephone will be forwarded to...
5		5.536		To confirm this, press "one"; to forward to a different number, press "two"; to cancel this, please hang up now.
	8.768	2,272		
6	2.848	2.080		Your calls cannot be forwarded to ...
7	2.368	1.856		Please enter another number now.
8	4.832	4.288		Please enter the telephone number to forward, followed by your PIN number.
Note: Duration time is in seconds.				
—continued—				

ECFRA0AM English voice file contents for virtual card 0 (continued)

Phrase ID	Total duration	Duration	Phrase name	Content
9		2.816		Calls to your telephone will be forwarded to another number. Please enter this number now.
	5.856	1.632		
10	3.840	3.296		Please enter a code to remotely access a feature.
Note: Duration time is in seconds.				
—end—				

ECFRA0AM English voice file contents for virtual card 1

Phrase ID	Total duration	Duration	Phrase name	Content
0	1.024			1 s silence
1				Test tone
	0.160			750 Hz tone
2				Prompt tone
		0.512		silence
		0.096		750 Hz tone
		0.032		silence
		0.096		750 Hz tone
		0.032		silence
		0.096		750 Hz tone
	0.992	0.128		silence
3	0.256			.25 s silence
Note: Duration time is in seconds.				
—continued—				

ECFRA0AM English voice file contents for virtual card 1 (continued)

Phrase ID	Total duration	Duration	Phrase name	Content
4	4.896	4.352		Please enter a code to activate or to deactivate call forwarding.
5	1.408	0.896		Please enter...
6	1.088	0.928		... the ten-digit
7	3.424	3.232		... telephone number to forward followed by your PIN number.
8	1.088	0.928		... the one-digit
9	1.056	0.928		... the two-digit
10	1.088	0.928		... the three-digit
11	1.024	0.864		... the four-digit
12	1.152	0.992		... the five-digit
13	1.056	0.896		... the six-digit
14	1.120	0.960		... the seven-digit
15	1.088	0.928		... the eight-digit
16	1.120	0.960		... the nine-digit
17	0.992	0.480		one
Note: Duration time is in seconds.				
—end—				

Voice file name ECLS10AJ

The following tables list the phrase IDs and content (silences, phrases or tones). This voice file is equivalent to DRAM card NT1X76AJ.

ECLS10AJ English voice file contents for virtual card 0

Phrase ID	Total duration	Duration	Phrase name	Content
0	1.024			1 s silence
1				Test tone
	0.160			750 Hz tone
2				Prompt tone
		0.512		silence
		0.096		750 Hz tone
		0.032		silence
		0.096		750 Hz tone
		0.032		silence
		0.096		750 Hz tone
	0.992	0.128		silence
3	0.256			.25 s silence
4	0.032			one block of silence
5		3.072		The line was free, but it has just become busy again.
		3.264		You will be notified by special ringing when the line is free.
	9.376	1.120		Please hang up now.
Note: Duration time is in seconds.				
—continued—				

ECLS10AJ English voice file contents for virtual card 0 (continued)

Phrase ID	Total duration	Duration	Phrase name	Content
6		2.048		The last number that you called is busy. You will be notified by special ringing when the line is free.
		3.264		
7	8.352	1.120		Please hang up now.
		3.296		
8	4.960	1.120		You have canceled all of your requests to call someone back. Please hang up now.
		3.072		
9	9.376	3.264		The line was free, but it has just become busy again. You will be notified by special ringing when the line is free. Please hang up now.
		1.120		
10	7.456	1.152		The line is busy.
		3.264		
11	4.800	1.120		You will be notified by special ringing when the line is free. Please hang up now.
		3.316		
12	4.832	4.800		You have canceled all of your requests to return calls. Please hang up now.
		1.120		
13	5.408	3.733		We're sorry, the last number that called your line is not known. Please hang up now.
		1.120		
14	3.168	3.168		We're sorry, the number cannot be reached by this method. Please hang up now.
		1.120		
Note: Duration time is in seconds.				
—continued—				

ECLS10AJ English voice file contents for virtual card 0 (continued)

Phrase ID	Total duration	Duration	Phrase name	Content
13		6.880		The last call to your telephone has been traced. If you want to take action, contact your police department. Please hang up now.
	8.544	1.120		
14	1.024	0.512	1.024	
				one busy signal beep (including a 0.5 s pause)
Note: Duration time is in seconds.				
—end—				

ECLS10AJ English voice file contents for wvirtual card 1 (continued)

Phrase ID	Total duration	Duration	Phrase name	Content
0	1.024			1 s silence
1				Test tone
	0.160			750 Hz tone
Note: Duration time is in seconds.				
—continued—				

ECLS10AJ English voice file contents for wvirtual card 1 (continued)

Phrase ID	Total duration	Duration	Phrase name	Content
2				Prompt tone
		0.512		silence
		0.096		750 Hz tone
		0.032		silence
		0.096		750 Hz tone
		0.032		silence
		0.096		750 Hz tone
	0.992	0.128		silence
3	0.256			.25 s silence
4	6.272	6.208		We're sorry, the number cannot be reached now by this method. Please hang up and try again later.
5	7.744	7.680		The last number that called your line cannot be given out. If you want to call this number, enter 1. In other events, hang up now.
6	7.552	7.488		We're sorry, the last number that you called cannot be reached by this method. Please hang up now and call the number directly.
7		2.848		The last call to your telephone cannot be traced.
		4.960		Please consult the introductory pages of your telephone directory for further instructions.
		9.952	1.120	Please hang up now.
Note: Duration time is in seconds.				
—end—				

Voice file name ECLS10AK

The following tables list the phrase IDs and content (silences, phrases or tones). This voice file is equivalent to DRAM card NT1X76AK.

ECLS10AK English voice file contents for virtual card 0

Phrase ID	Total duration	Duration	Phrase name	Content
0	1.024			1 s silence
1				Test tone
	0.160			750 Hz tone
2				Prompt tone
		0.512		silence
		0.096		750 Hz tone
		0.032		silence
		0.096		750 Hz tone
		0.032		silence
		0.096		750 Hz tone
	0.992	0.128		silence
3	0.256			.25 s silence
4		4.672		We're sorry, the last number that you called cannot be reached now by this method.
	9.120	3.904		Please hang up and try again later or call the number directly.
Note: Duration time is in seconds.				
—continued—				

ECLS10AK English voice file contents for virtual card 0 (continued)

Phrase ID	Total duration	Duration	Phrase name	Content
5	2.656	2.272		The last number that called your line was
6	4.576	4.096		To call this number, enter 1; otherwise hang up now.
Note: Duration time is in seconds.				
—end—				

ECLS10AK English voice file contents for virtual card 1

Phrase ID	Total duration	Duration	Phrase name	Content
0	1.024			1 s silence
1				Test tone
	0.160			750 Hz tone
2				Prompt tone
		0.512		silence
		0.096		750 Hz tone
		0.032		silence
		0.096		750 Hz tone
		0.032		silence
		0.096		750 Hz tone
	0.992	0.128		silence
3	0.256			.25 s second silence
4 – 13				Digits 0 to 9 with high (rising) intonation
Note: Duration time is in seconds.				
—continued—				

ECLS10AK English voice file contents for virtual card 1 (continued)

Phrase ID	Total duration	Duration	Phrase name	Content
14 – 23				Digits 0 to 9 with low (rising) intonation
24– 33				Digits 0 to 9 with wave (fallrise) intonation
34– 43				Digits 0 to 9 with falling intonation
44 – 53				Digits 0 to 9 with flat intonation
54– 63				Digits 0 to 9 with flat intonation
Note: Duration time is in seconds.				
—end—				

Voice file name ECLS20AP

The following tables list the phrase IDs and content (silences, phrases or tones). This voice file is equivalent to DRAM card NT1X76AP.

ECLS20AP English voice file contents for virtual card 0

Phrase ID	Total duration	Duration	Phrase name	Content
0	1.024			1 s silence
1				Test tone
	0.160			750 Hz tone
Note: Duration time is in seconds.				
—continued—				

ECLS20AP English voice file contents for virtual card 0 (continued)

Phrase ID	Total duration	Duration	Phrase name	Content
2	0.992			Prompt tone
			0.512	silence
			0.096	750 Hz tone
			0.032	silence
			0.096	750 Hz tone
			0.032	silence
			0.096	750 Hz tone
3	0.256	0.128		silence
4	4.704	4.032		.25 s silence
5	7.232	6.688		We are sorry. The digits dialed are not a valid command.
6	8.736	8.128		We are sorry. You must dial a telephone number after dialing the number sign key or the star key.
				We are sorry. You must dial a telephone number after dialing 1, 2, or 1, 1.
Note: Duration time is in seconds.				
—end—				

ECLS20AP English voice file contents for virtual card 1

Phrase ID	Total duration	Duration	Phase name	Content
0	1.024			1 s silence
1				Test tone
	0.160			750 Hz tone
2				Prompt tone
		0.512		silence
		0.096		750 Hz tone
		0.032		silence
		0.096		750 Hz tone
		0.032		silence
		0.096		750 Hz tone
	0.992	0.128		silence
3	0.256			.25 s silence
4		2.688		To turn this service on, dial 3.
		3.072		To add an entry, press the number sign key.
		3.776		To remove one or more entries, press the star key.
		3.520		To hear the entries on your list, dial 1.
		3.360		To hear these instructions repeated, dial 0.
	21.248	1.280		Please dial now.
Note: Duration time is in seconds.				
—continued—				

ECLS20AP English voice file contents for virtual card 1 (continued)

Phrase ID	Total duration	Duration	Phase name	Content
5	21.312	2.752		To turn this service off, dial 3.
		3.072		To add an entry, press the number sign key.
		3.776		To remove one or more entries, press the star key.
		3.520		To hear the entries on your list, dial 1.
		3.360		To hear these instructions repeated, dial 0.
		1.280		Please dial now.
6	22.336	2.688		To turn this service on, dial 3.
		3.328		To add an entry, dial 1, 2.
		4.608		To remove one or more entries, dial 1, 1.
		3.520		To hear these entries on your list, dial 1.
		3.360		To hear these instructions repeated, dial 0.
		1.280		Please dial now.
7	22.400	2.752		To turn this service off, dial 3.
		3.328		To add an entry, dial 1, 2.
		4.608		To remove one or more entries, dial 1, 1.
		3.520		To hear the entries on your list, dial 1.
		3.360		To hear these instructions repeated, dial 0.
		1.280		Please dial now.
Note: Duration time is in seconds.				
—end—				

Voice file name ECLS20AQ

The following tables list the phrase IDs and content (silences, phrases or tones). This voice file is equivalent to DRAM card NT1X76AQ.

ECLS20AQ English voice file contents for virtual card 0

Phrase ID	Total duration	Duration	Phrase name	Content
0	1.024			1 s silence
1				Test tone
	0.160			750 Hz tone
2				Prompt tone
		0.512		silence
		0.096		750 Hz tone
		0.032		silence
		0.096		750 Hz tone
		0.032		silence
		0.096		750 Hz tone
	0.992	0.128		silence
3	0.256			.25 s silence
4	5.344	4.672		Please continue. Dial 0 for instructions or hang up.
5	5.408	4.736		Please start again. Dial 0 for instructions or hang up.
6	3.936	3.392		The number is already on your list as a private entry.
7	3.392	2.848		The number you have removed is a private entry.
8	3.360	2.752		The number to be removed is not on your list.
Note: Duration time is in seconds.				
—continued—				

ECLS20AQ English voice file contents for virtual card 0 (continued)

Phrase ID	Total duration	Duration	Phrase name	Content
9	2.944	2.336		There are no more entries on your list.
10	3.456	2.848		There are no more private entries on your list.
11	3.360	2.816		The number you have added is a private entry.
Note: Duration time is in seconds.				
—end—				

ECLS20AQ English voice file contents for virtual card 1

Phrase ID	Total duration	Duration	Phrase name	Content
0	1.024			1 s silence
1				Test tone
	0.160			750 Hz tone
2				Prompt tone
		0.512		silence
		0.096		750 Hz tone
		0.032		silence
		0.096		750 Hz tone
		0.032		silence
		0.096		750 Hz tone
	0.992	0.128		silence
Note: Duration time is in seconds.				
—continued—				

ECLS20AQ English voice file contents for virtual card 1 (continued)

Phrase ID	Total duration	Duration	Phrase name	Content
3	0.256			.25 s silence
4	4.256	3.584		Please start again, or dial 0 for instructions.
5	5.184	4.640		We are sorry. The number you have dialed is not available with this service.
6	4.288	3.744		We are sorry. The number you have dialed is incorrect.
7	4.896	4.352		We are sorry. The number of the last calling party is not available.
8	3.808	3.264		We are sorry. You have dialed too few digits.
9	3.680	3.136		We are sorry. You have dialed too many digits.
10	2.624	2.080		You have cleared the digits dialed.
11	0.512			.5 s silence
12	1.024			1 s silence
13	2.048			2 s silence
14	3.072			3 s silence
15	4.096			4 s silence
Note: Duration time is in seconds.				
—end—				

Voice file name ECLS20AR

The following tables list the phrase IDs and content (silences, phrases or tones). This voice file is equivalent to DRAM card NT1X76AR.

ECLS20AR English voice file contents for virtual card 0

Phrase ID	Total duration	Duration	Phrase name	Content
0	1.024			1 s silence
1				Test tone
	0.160			750 Hz tone
2				Prompt tone
		0.512		silence
		0.096		750 Hz tone
		0.032		silence
		0.096		750 Hz tone
		0.032		silence
		0.096		750 Hz tone
	0.992	0.128		silence
3	0.256			0.25 s silence
4	3.392	2.784		To add an entry, dial 1, 2.
5	3.904	3.296		To add an entry, please press the number sign key.
6		1.984		To reject the last calling party,
	7.808	4.576		dial 1, 2, and then dial 0, 1.
7		1.984		To reject the last calling party,
	10.560	7.328		press the number sign key, dial 0, 1, and then press the number sign key again.
Note: Duration time is in seconds.				
—continued—				

ECLS20AR English voice file contents for virtual card 0 (continued)

Phrase ID	Total duration	Duration	Phrase name	Content
8	4.448	3.904		To turn on this service, you must add an entry to your list.
9	7.648	6.976		We are sorry. This service is being interrupted. Please hang up and try again in a few minutes.
Note: Duration time is in seconds.				
—end—				

ECLS20AR English voice file contents for virtual card 1

Phrase ID	Total duration	Duration	Phrase name	Content
0	1.024			1 s silence
1				Test tone
	0.160			750 Hz tone
2				Prompt tone
		0.512		silence
		0.096		750 Hz tone
		0.032		silence
		0.096		750 Hz tone
		0.032		silence
		0.096		750 Hz tone
	0.992	0.128		silence
3	0.256			0.25 s silence
Note: Duration time is in seconds.				
—continued—				

ECLS20AR English voice file contents for virtual card 1 (continued)

Phrase ID	Total duration	Duration	Phrase name	Content
4	4.384	3.712		Please continue, or dial 0 for instructions.
5	4.864	4.192		Please try other options, or dial 0 for instructions.
6	5.184	4.576		We are sorry. Please try adding the number again in a few minutes.
7	4.064	3.456		We are sorry. There are no entries on you list.
8	6.560	5.592		We are sorry. Your list is full. You must remove an entry before adding another.
Note: Duration time is in seconds.				
—end—				

Voice file name ECLS20AS

The following tables list the phrase IDs and content (silences, phrases or tones). This voice file is equivalent to DRAM card NT1X76AS.

ECLS20AS English voice file contents for virtual card 0

Phrase ID	Total duration	Duration	Phrase name	Content
0	1.024			1 s silence
1				Test tone
	0.160			750 Hz tone
2				Prompt tone
		0.512		silence
		0.096		750 Hz tone
		0.032		silence
		0.096		750 Hz tone
		0.032		silence
		0.096		750 Hz tone
	0.992	0.128		silence
3	0.256			.25 s silence
Note: Duration time is in seconds.				
—continued—				

ECLS20AS English voice file contents for virtual card 0 (continued)

Phrase ID	Total duration	Duration	Phrase name	Content
4		4.256		Dial the number to be removed, then press the star key again.
		5.664		To remove all entries, dial 0, 8, then press the star key again.
		6.272		To remove just the private entries, dial 0, 9, then press the star key again.
		3.360		To hear these instructions repeated, dial 0.
	23.808	1.280		Please dial now.
5		1.984		Dial the number to be removed.
		3.616		To remove all entries, dial 0, 8.
		4.256		To remove just the private entries, dial 0, 9.
		3.360		To hear these instructions repeated, dial 0.
		17.472	1.280	
Note: Duration time is in seconds.				
—end—				

ECLS20AS English voice file contents for virtual card 1

Phrase ID	Total duration	Duration	Phrase name	Content
0	1.024			1 s silence
1				Test tone
	0.160			750 Hz tone
Note: Duration time is in seconds.				
—continued—				

ECLS20AS English voice file contents for virtual card 1 (continued)

Phrase ID	Total duration	Duration	Phrase name	Content
2	0.992			Prompt tone
		0.512		silence
		0.096		750 Hz tone
		0.032		silence
		0.096		750 Hz tone
		0.032		silence
		0.096		750 Hz tone
3	0.256	0.128		silence
4	13.664	4.352		Dial the number to be added, then press the number sign key again.
		6.144		To add the last calling party, dial 0, 1, then press the number sign key again.
5	8.832	1.280		Please dial now.
		1.792		Dial the number to be added.
		3.872		To add the last calling party, dial 0, 1.
		1.280		Please dial now.
Note: Duration time is in seconds.				
—continued—				

ECLS20AS English voice file contents for virtual card 1 (continued)

Phrase ID	Total duration	Duration	Phrase name	Content
6		5.760		Please dial the number to which you want your calls forwarded, then press the number sign key.
	8.288	1.280		Please dial now.
7		3.520		Please dial the number to which you want your calls forwarded.
	6.048	1.280		Please dial now.
Note: Duration time is in seconds.				
—end—				

Voice file name ECLS20AT

The following tables list the phrase IDs and content (silences, phrases or tones). This voice file is equivalent to DRAM card NT1X76AT.

ECLS20AT English voice file contents for virtual card 0

Phrase ID	Total duration	Duration	Phrase name	Content
0	1.024			1 s silence
1				Test tone
	0.160			750 Hz tone
Note: Duration time is in seconds.				
—continued—				

ECLS20AT English voice file contents for virtual card 0 (continued)

Phrase ID	Total duration	Duration	Phrase name	Content
2				Prompt tone
		0.512		silence
		0.096		750 Hz tone
		0.032		silence
		0.096		750 Hz tone
		0.032		silence
		0.096		750 Hz tone
	0.992	0.128		silence
3	0.256			.25 s silence
4	1.600	0.576		Next,
5	2.784	1.760		Next, extension
6	1.856	0.832		Repeating,
7	3.008	1.984		Repeating, extension
8	1.888	1.536		The number you have dialed,
9	1.952	1.312		is not permitted.
10	2.336	1.920		The number you have added is
11	2.816	2.400		The number you have added is extension
12	2.304	1.824		The number you have removed is
13	2.816	2.400		The number you have removed is extension
14	2.592	2.112		The first entry on your list is
15	3.328	2.848		The first entry on your list is extension
16	2.912	2.304		This number is already on your list.
Note: Duration time is in seconds.				
—continued—				

ECLS20AT English voice file contents for virtual card 0 (continued)

Phrase ID	Total duration	Duration	Phrase name	Content
17	4.224	3.744		This number is already on your list. Extension
18	2.688	2.272		Your calls will be forwarded to
Note: Duration time is in seconds.				
—end—				

ECLS20AT English voice file contents for virtual card 1

Phrase ID	Total duration	Duration	Phrase name	Content
0	1.024			1 s silence
1				Test tone
	0.160			750 Hz tone
2				Prompt tone
		0.512		silence
		0.096		750 Hz tone
		0.032		silence
		0.096		750 Hz tone
		0.032		silence
		0.096		750 Hz tone
	0.992	0.128		silence
3	0.256			.25 s silence
4 - 13				Digits 0 - 9 with high (rising) intonation.
14- 23				Digits 0 - 9 with low (rising) intonation.
Note: Duration time is in seconds.				
—continued—				

ECLS20AT English voice file contents for virtual card 1 (continued)

Phrase ID	Total duration	Duration	Phrase name	Content
24 - 33				Digits 0 - 9 with wave (fallrise) intonation.
34 - 43				Digits 0 - 9 with falling intonation.
44 - 53				Digits 0 - 9 with flat intonation.
54 - 63				Digits 0 - 9 with flat intonation.
Note: Duration time is in seconds.				
—end—				

Voice file name ECLS20AU

The following tables list the phrase IDs and content (silences, phrases or tones). This voice file is equivalent to DRAM card NT1X76AU.

ECLS20AU English voice file contents for virtual card 0

Phrase ID	Total duration	Duration	Phrase name	Content
0	1.024			1 s silence
1				Test tone
	0.160			750 Hz tone
Note: Duration time is in seconds.				
—continued—				

ECLS20AU English voice file contents for virtual card 0 (continued)

Phrase ID	Total duration	Duration	Phrase name	Content
2	0.992			Prompt tone
			0.512	silence
			0.096	750 Hz tone
			0.032	silence
			0.096	750 Hz tone
			0.032	silence
			0.096	750 Hz tone
3	0.256	0.128		silence
4	3.168	2.560		0.25 s silence
5	3.232	2.624		There is one private entry on your list.
6	3.232	2.624		There are two private entries on your list.
7	2.944	2.336		There are three private entries on your list.
8	3.104	2.496		There are four private entries on your list.
9	3.232	2.624		There are five private entries on your list.
10	3.040	2.432		There are six private entries on your list.
11	3.072	2.464		There are seven private entries on your list.
12	3.072	2.464		There are eight private entries on your list.
13	3.168	2.560		There are nine private entries on your list.
14	3.008	2.400		There are ten private entries on your list.
15	3.104	2.496		There are 11 private entries on your list.
	3.168	2.560		There are 12 private entries on your list.
Note: Duration time is in seconds.				
—end—				

ECLS20AU English voice file content for virtual card 1

Phrase ID	Total duration	Duration	Phrase name	Content
0	1.024			1 s silence
1				Test tone
	0.160			750 Hz tone
2				Prompt tone
		0.512		silence
		0.096		750 Hz tone
		0.032		silence
		0.096		750 Hz tone
		0.032		silence
		0.096		750 Hz tone
	0.992	0.128		silence
3	0.256			0.25 s silence
4	2.464	1.792		including one private entry.
5	2.624	1.952		including two private entries.
6	2.496	1.824		including three private entries.
7	2.720	2.048		including four private entries.
8	2.688	2.016		including five private entries.
9	2.528	1.856		including six private entries.
10	2.752	2.080		including seven private entries.
11	2.592	1.920		including eight private entries.
12	2.528	1.856		including nine private entries.
13	2.752	2.080		including ten private entries.
14	2.720	2.048		including 11 private entries.
Note: Duration time is in seconds.				
—continued—				

ECLS20AU English voice file content for virtual card 1 (continued)

Phrase ID	Total duration	Duration	Phrase name	Content
15	2.656	1.984		including 12 private entries.
16	3.008	1.792		This is the end of your list.
17	5.216	4.000		This is the end of your list. Your list is now empty.
Note: Duration time is in seconds.				
—end—				

Voice file name ECLS20AV

The following tables list the phrase IDs and content (silences, phrases or tones). This voice file is equivalent to DRAM card NT1X76AV.

ECLS20AV English voice file contents for virtual card 0

Phrase ID	Total duration	Duration	Phrase name	Content
0	1.024			1 s silence
1				Test tone
	0.160			750 Hz tone
Note: Duration time is in seconds.				
—continued—				

ECLS20AV English voice file contents for virtual card 0 (continued)

Phrase ID	Total duration	Duration	Phrase name	Content
2	0.992			Prompt tone
			0.512	silence
			0.096	750 Hz tone
			0.032	silence
			0.096	750 Hz tone
			0.032	silence
			0.096	750 Hz tone
3	0.256			.25 s second silence
4	5.280	4.608		Please continue, dial 0 for instructions, or hang up.
5	5.824	4.608		Please continue, dial 0 for instructions, or hang up.
6	2.176	1.824		The list contains one entry.
7	2.112	1.760		The list contains two entries.
8	2.304	1.952		The list contains three entries.
9	2.400	2.048		The list contains four entries.
10	2.432	2.080		The list contains five entries.
11	2.336	1.984		The list contains six entries.
12	2.432	2.080		The list contains seven entries.
13	2.368	2.016		The list contains eight entries.
14	2.432	2.080		The list contains nine entries.
15	2.208	1.856		The list contains ten entries.
Note: Duration time is in seconds.				
—continued—				

ECLS20AV English voice file contents for virtual card 0 (continued)

Phrase ID	Total duration	Duration	Phrase name	Content
16	2.496	2.144		The list contains 11 entries.
17	2.432	2.080		The list contains 12 entries.
Note: Duration time is in seconds.				
—end—				

ECLS20AV English voice file contents for visual card 1

Phrase ID	Total duration	Duration	Phrase name	Content
0	1.024			1 s silence
1				Test tone
	0.160			750 Hz tone
2				Prompt tone
		0.512		silence
		0.096		750 Hz tone
		0.032		silence
		0.096		750 Hz tone
		0.032		silence
		0.096		750 Hz tone
	0.992	0.128		silence
3	0.256			.25 s silence
4	4.736	4.064		Please try other options, or dial 0 for instructions.
Note: Duration time is in seconds.				
—continued—				

ECLS20AV English voice file contents for visual card 1

Phrase ID	Total duration	Duration	Phrase name	Content
5	2.624	2.016		There is one entry on your list.
6	2.592	1.984		There are two entries on your list.
7	2.624	2.016		There are three entries on your list.
8	2.720	2.112		There are four entries on your list.
9	2.816	2.208		There are five entries on your list.
10	2.592	1.984		There are six entries on your list.
11	2.912	2.304		There are seven entries on your list.
12	2.560	1.952		There are eight entries on your list.
13	2.624	2.016		There are nine entries on your list.
14	2.656	2.048		There are ten entries on your list.
15	2.720	2.112		There are 11 entries on your list.
16	2.752	2.144		There are 12 entries on your list.
17	2.624	2.016		There are no entries on your list.
Note: Duration time is in seconds.				
—end—				

Voice file name ECLS20AW

The following tables list the phrase IDs and content (silences, phrases or tones). This voice file is equivalent to DRAM card NT1X76AW.

ECLS20AW English voice file contents for virtual card 0

Phrase ID	Total duration	Duration	Phrase name	Content
0	1.024			1 s silence
1				Test tone
	0.160			750 Hz tone
2				Prompt tone
		0.512		silence
		0.096		750 Hz tone
		0.032		silence
		0.096		750 Hz tone
		0.032		silence
		0.096		750 Hz tone
	0.992	0.128		silence
3	0.256			.25 s silence
4	3.072	2.464		Your call block service is now on.
5	2.816	2.208		Your call block service is now off.
6	3.232	2.624		Your call screen service is now on.
7	2.976	2.368		Your call screen service is now off.
8	4.064	3.456		Your selective call forwarding service is now on.
9	3.872	3.264		Your selective call forwarding service is now off.
Note: Duration time is in seconds.				
—continued—				

ECLS20AW English voice file contents for virtual card 0 (continued)

Phrase ID	Total duration	Duration	Phrase name	Content
11	4.192	3.584		Your distinctive ringing call waiting service is now on.
12	4.320	3.712		Your distinctive ringing call waiting service is now off.
13	3.072	2.464		Your avoid-a-call service is now on.
14	3.072	2.464		Your avoid-a-call service is now off.
15	1.024	0.352		Prompt tone
Note: Duration time is in seconds.				
—end—				

ECLS20AW English voice file contents for virtual card 1

Phrase ID	Total duration	Duration	Phrase name	Content
0	1.024			1 s silence
1				Test tone
	0.160			750 Hz tone
Note: Duration time is in seconds.				
—continued—				

ECLS20AW English voice file contents for virtual card 1 (continued)

Phrase ID	Total duration	Duration	Phrase name	Content
2	0.992			Prompt tone
			0.512	silence
			0.096	750 Hz tone
			0.032	silence
			0.096	750 Hz tone
			0.032	silence
			0.096	750 Hz tone
3	0.256			.25 s silence
4	8.224	6.944		If this number is correct, dial 1. If this number is not correct, dial 0.
5	1.952	1.280		Please dial now.
6	6.720	6.048		We are sorry. Please hang up now, consult your written instructions, and try again later.
7	7.264	6.048		We are sorry. Please hang up now, consult your written instructions, and try again later.
8	6.272	5.600		You may dial during the announcements for faster service. When you have finished, hang up.
9	7.776	7.104		After hearing an entry, you may dial 0, 7 to delete it and continue reviewing your list.
Note: Duration time is in seconds.				
—end—				

Voice file name EMCCS0CA

The following tables list the phrase IDs and content (silences, phrases or tones). This voice file is equivalent to DRAM card NT1X76CA.

EMCCS0CA English voice file contents for virtual card 0

Phrase ID	Total duration	Duration	Phrase name	Content
0		1.024	–	1 s of silence
1		0.160	–	test tone 760 Hz at -13dbm
2		0.992	–	prompt tone
3		0.512	–	0.5 s of silence
4 to 7		–	–	reserved phrase
8 to 39		–	SIT1 to SIT32	SIT combination 1 (refer to note) to SIT combination 32 (refer to the table on page 4)
40		4.320	MCC1	Please dial your card number or zero for an operator now.
41		6.016	MCC2	Please dial your card number again now. The card number you have dialed is not valid.
42		2.112	MCC3	Please dial your card number.
43		6.976	MCC4	Please hang up and dial zero plus the number you are calling. The card number you have dialed is not valid.
44		2.176	MCC5	You may dial another call now.
45		5.952	MCC6	Please dial the number you are calling again now. The number you have dialed is not correct.
46		2.336	MCC7	Please dial the number you are calling.
47		6.816	MCC8	Please hang up and dial zero plus the number you are calling. The number you have dialed is not correct.
48		4.032	MCC9	Please hang up and dial zero plus the number you are calling.
Note: Duration time is in seconds.				
—continued—				

EMCCS0CA English voice file contents for virtual card 0 (continued)

Phrase ID	Total duration	Duration	Phrase name	Content
49		5.184	MCC10	Valid number unrestricted PIN RAO XXX.
50		5.088	MCC11	Valid number restricted PIN, RAO XXX.
51		6.176	MCC12	Valid number unrestricted PIN, RAO unavailable.
52		3.328	MCC13	Invalid number, please dial again now.
53		2.432	MCC14	Invalid number, please hang up.
54		5.888	MCC15	Please hang up and dial direct. This number cannot be dialed as a sequence call.
55		1.216	ABC tone	Beep and decaying dial tone.
Note: Duration time is in seconds.				
—end—				

The following table defines the special information tones, timing and frequencies.

EMCCS0CA English Special Information Tone (SIT) definitions

Phrase number hexadecimal	Phrase number decimal	Name	First tone	Second tone	Third tone
8	8	SIT1	1 short	1 short	1 short
9	9	SIT2	1 short	1 short	1 long
A	10	SIT3	1 short	1 long	1 short
Note: SIT components					
Frequencies (Hz)		First tone	Second tone	Third tone	
	low	913.8	1370.6	1776.7	
	high	985.2	1428.5	NA	
Duration (ms)		short	288		
	long	384			
—continued—					

EMCCS0CA English Special Information Tone (SIT) definitions (continued)

Phrase number hexadecimal	Phrase number decimal	Name	First tone	Second tone	Third tone
B	11	SIT4	1 short	1 long	1 long
C	12	SIT5	1 short	1 short	1 short
D	13	SIT6	1 short	1 short	1 long
E	14	SIT7	1 short	1 long	1 short
F	15	SIT8	1 short	1 long	1 long
10	16	SIT9	1 long	1 short	1 short
11	17	SIT10	1 long	1 short	1 long
12	18	SIT11	1 long	1 long	1 short
13	19	SIT12	1 long	1 long	1 long
14	20	SIT13	1 long	1 short	1 short
15	21	SIT14	1 long	1 short	1 long
16	22	SIT15	1 long	1 long	1 short
17	23	SIT16	1 long	1 long	1 long
18	24	SIT17	1 short	1 short	1 short
19	25	SIT18	1 short	1 short	1 long
1A	26	SIT19	1 short	1 long	1 short
1B	27	SIT20	1 short	1 long	1 long
1C	28	SIT21	1 short	1 short	1 short
1D	29	SIT22	1 short	1 short	1 long
1E	30	SIT23	1 short	1 long	1 short
1F	31	SIT24	1 short	1 long	1 long
20	32	SIT25	1 long	1 short	1 short
Note: SIT components					
Frequencies (Hz)		First tone	Second tone	Third tone	
	low	913.8	1370.6	1776.7	
	high	985.2	1428.5	NA	
Duration (ms)		short	288		
	long	384			
—continued—					

EMCCS0CA English Special Information Tone (SIT) definitions (continued)

Phrase number hexadecimal	Phrase number decimal	Name	First tone	Second tone	Third tone
21	33	SIT26	1 long	1 short	1 long
22	34	SIT27	1 long	1 long	1 short
23	35	SIT28	1 long	1 long	1 long
24	36	SIT29	1 long	1 short	1 short
25	37	SIT30	1 long	1 short	1 long
26	38	SIT31	1 long	1 long	1 short
27	39	SIT32	1 long	1 long	1 long
Note: SIT components					
Frequencies (Hz)		First tone	Second tone	Third tone	
	low	913.8	1370.6	1776.7	
	high	985.2	1428.5	NA	
Duration (ms)	short	288			
	long	384			
—end—					

EMCCS0CA English voice file contents for virtual card 1

Phrase ID	Total duration	Duration	Phrase name	Content
0		1.024	–	1 s of silence
1		0.160	–	test tone 760 Hz at -13 dbm
2		0.992	–	prompt tone
3		0.512	–	0.5 s of silence
4 to 7		–	–	reserved phrase
8 to 39		–	SIT1 to SIT32	SIT combination 1 (refer to note) to SIT combination 32
40		0.864	letter C	C
Note: Duration time is in seconds.				
—continued—				

EMCCS0CA English voice file contents for virtual card 1 (continued)

Phrase ID	Total duration	Duration	Phrase name	Content
41		0.864	letter L	L
42		0.864	letter N	N
43		0.864	letter P	P
44		0.864	letter X	X
45		0.928	MCC16	Thank you
47		0.608	digit 0	zero
48		0.519	digit 1	one
49		0.544	digit 2	two
50		0.544	digit 3	three
51		0.640	digit 4	four
52		0.768	digit 5	five
53		0.640	digit 6	six
54		0.672	digit 7	seven
55		0.544	digit 8	eight
56		0.672	digit 9	nine
Note: Duration time is in seconds.				
—end—				

Voice file name FAABS0HD

The following tables list the phrase IDs and content (silences, phrases or tones). This voice file is equivalent to DRAM card NT1X76HD.

FAABS0HD English voice file contents for virtual card 0

Phrase ID	Total duration	Duration	Phrase name	Content
0	1.024			one second silence
1				test tone
	0.160			705 Hz tone
2				(prompt tone)
		0.512		silence
		0.096		750 Hz tone
		0.032		silence
		0.096		750 Hz tone
		0.032		silence
		0.096		750 Hz tone
	0.992	0.128		silence
3	0.256			0.25 s silence
4				(CCC prompt tone)
		0.992		941 Hz + 1477 Hz tones
	1.216	0.224		350 Hz + 440 Hz tones exponentially decreased with a time constant of 1600
5		2.816		The card number received is not valid.
	5.568	2.240		Please enter your card number again.
Note: Duration time is in seconds.				
—continued—				

FAABS0HD English voice file contents for virtual card 0 (continued)

Phrase ID	Total duration	Duration	Phrase name	Content
6	6.464	2.240		Please enter your calling card number
		2.304		or dial zero to reach an operator.
7	3.808	1.344		This is a recording.
		1.024		Please hang up,
8	7.072	2.624		then dial zero and the number you are calling.
		2.816		The card number received is not valid.
9	6.432	1.024		Please hang up,
		2.624		then dial zero and the number you are calling.
10	5.024	2.176		An incorrect number was dialed.
		1.024		Please hang up,
11	0.608	2.624		then dial zero and the number you are calling.
		2.176		An incorrect number was dialed.
12	1.504	2.432		Please redial the number you are calling.
		0.608		Thank you.
13	6.720	1.504		invalid number
		0.928		We are sorry,
		1.664		your call did not go through.
		1.728		Please try your call again.
		1.344		This is a recording.
Note: Duration time is in seconds.				
—continued—				

FAABS0HD English voice file contents for virtual card 0 (continued)

Phrase ID	Total duration	Duration	Phrase name	Content
14		1.216		(CCC prompt tone)
		2.816		The card number received is not valid.
	6.784	2.240		Please enter your card number again.
15		1.216		(CCC prompt tone)
		2.240		Please enter your calling card number
		2.304		or dial zero to reach an operator.
16	7.680	1.344		This is a recording.
		1.216		(CCC prompt tone)
		1.024		Please hang up,
17	5.024	2.624		then dial zero and the number you are calling.
		1.216		(CCC prompt tone)
		2.816		The card number received is not valid.
18		1.024		Please hang up,
	8.288	2.624		then dial zero and the number you are calling.
		1.216		(CCC prompt tone)
18		2.176		An incorrect number was dialed.
		1.024		Please hang up,
	7.648	2.432		then dial zero and the number you are calling.
Note: Duration time is in seconds.				
—continued—				

FAABS0HD English voice file contents for virtual card 0 (continued)

Phrase ID	Total duration	Duration	Phrase name	Content
19		1.216		(CCC prompt tone)
		2.176		An incorrect number was dialed.
	6.240	2.432		Please redial the number you are calling.
20		1.216		(CCC prompt tone)
	1.824	0.608		Thank you.
21		1.216		(CCC prompt tone)
	2.720	1.504		Invalid number.
22		1.216		(CCC prompt tone)
		0.928		We are sorry,
		1.664		your call did not go through.
		1.728		Please try your call again.
	7.936	1.344		This is a recording.
23	0.320	0.320		(32 ms silence)
24	0.160	0.160		(160 ms silence)
25	0.320	0.320		(320 ms silence)
26	0.480	0.480		(480 ms silence)
27	0.640	0.640		(640 ms silence)
28	0.800	0.800		(800 ms silence)
29	0.960	0.960		(960 ms silence)
Note: Duration time is in seconds.				
—end—				

FAABS0HD English voice file contents for virtual card 1

Phrase ID	Total duration	Duration	Phrase name	Content
0	1.024			one second silence
1				test tone
	0.160			705 Hz tone
2				(prompt tone)
		0.512		silence
		0.096		750 Hz tone
		0.032		silence
		0.096		750 Hz tone
		0.032		silence
		0.096		750 Hz tone
	0.992	0.128		silence
3	0.256			0.25 s silence
4				(CCC prompt tone)
		0.992		941 Hz + 1477 Hz tones
	1.216	0.224		350 Hz + 440 Hz tones exponentially decreased with a time constant of 1600
5	1.920	1.920		Please enter your card number.
6	2.176	2.176		Please dial the number you are calling.
7	1.952	1.952		You may place another call now.
8		0.992		Valid number,
		1.216		unrestricted PIN,
	4.608	1.8245		RAO unavailable.
Note: Duration time is in seconds.				
—continued—				

FAABS0HD English voice file contents for virtual card 1 (continued)

Phrase ID	Total duration	Duration	Phrase name	Content
9	4.064	0.992		Valid number,
		1.216		unrestricted PIN,
		0.960		RAO ...
10	3.968	0.992		Valid number,
		1.120		restricted PIN,
		0.960		RAO ...
11	0.704	0.640		0 (English digit–intonation 1)
12	0.608	0.480		1 (English digit–intonation 1)
13	0.640	0.448		2 (English digit–intonation 1)
14	0.608	0.480		3 (English digit–intonation 1)
15	0.608	0.480		4 (English digit–intonation 1)
16	0.672	0.608		5 (English digit–intonation 1)
17	0.640	0.512		6 (English digit–intonation 1)
18	0.640	0.544		7 (English digit–intonation 1)
19	0.608	0.352		8 (English digit–intonation 1)
20	0.672	0.608		9 (English digit–intonation 1)
21	0.736	0.672		0 (English digit–intonation 2)
22	0.672	0.544		1 (English digit–intonation 2)
23	0.704	0.416		2 (English digit–intonation 2)
24	0.704	0.448		3 (English digit–intonation 2)
25	0.704	0.384		4 (English digit–intonation 2)
26	0.704	0.512		5 (English digit–intonation 2)
27	0.704	0.576		6 (English digit–intonation 2)
28	0.704	0.512		7 (English digit–intonation 2)
29	0.736	0.352		8 (English digit–intonation 2)
Note: Duration time is in seconds.				
—continued—				

FAABS0HD English voice file contents for virtual card 1 (continued)

Phrase ID	Total duration	Duration	Phrase name	Content
30	0.672	0.544		9 (English digit–intonation 2)
31	0.640	0.512		0 (English digit–intonation 3)
32	0.576	0.416		1 (English digit–intonation 3)
33	0.576	0.320		2 (English digit–intonation 3)
34	0.576	0.384		3 (English digit–intonation 3)
35	0.576	0.384		4 (English digit–intonation 3)
36	0.608	0.448		5 (English digit–intonation 3)
37	0.640	0.512		6 (English digit–intonation 3)
38	0.608	0.480		7 (English digit–intonation 3)
39	0.608	0.384		8 (English digit–intonation 3)
40	0.640	0.544		9 (English digit–intonation 3)
41		1.216		(CCC prompt tone)
	3.136	1.920		Please enter your card number.
42		1.216		(CCC prompt tone)
	3.392	2.176		Please dial the number you are calling.
43		1.216		(CCC prompt tone)
	3.168	1.952		You may place another call now.
44		1.216		(CCC prompt tone)
		0.992		Valid number,
		1.216		unrestricted PIN,
	5.824	1.824		RAO unavailable.
Note: Duration time is in seconds.				
—continued—				

FAABS0HD English voice file contents for virtual card 1 (continued)

Phrase ID	Total duration	Duration	Phrase name	Content
45	4.960	1.216		(CCC prompt tone)
		0.992		Valid number,
		1.216		unrestricted PIN,
46	4.684	0.960		RAO ...
		1.216		(CCC prompt tone)
		0.992		Valid number,
47	4.684	1.120		restricted PIN,
		0.960		RAO ...
		0.032	0.032	
48	0.160	0.160		(160 ms silence)
49	0.320	0.320		(320 ms silence)
50	0.480	0.480		(480 ms silence)
51	0.640	0.640		(640 ms silence)
52	0.800	0.800		(800 ms silence)
53	0.960	0.960		(960 ms silence)
Note: Duration time is in seconds.				
—end—				

French announcements

This section contains the following voice files:

- FAOSS0BF
- FAOSS0BG
- FACCSOBH
- FCLS10BJ
- FCLS10BK
- FCLS20BP
- FCLS20BQ
- FCLS20BR
- FCLS20BS
- FCSL20BT
- FCLS20BU
- FCLS20BV
- FCLS20BW

Voice file name FAOSS0BF

The following tables list the phrase IDs and content (silences, phrases or tones). This voice file is equivalent to DRAM card NT1X76BF.

FAOSS0BF French voice file contents for virtual card 0

Phrase ID	Total duration	Duration	Phrase name	Content
0		1.024		1 s of silence
1		0.160		test tone 760 Hz at -13dbm
2		0.992		prompt tone
3		0.512		0.5 s of silence
4		5.856	AVRF03	a ete remplace. Vous pouvez maintenant appeler sans frais le: un, huit-cent
5		1.216	AVRF06	est en derangement
Note: Duration time is in seconds.				
—continued—				

FAOSS0BF French voice file contents for virtual card 0 (continued)

Phrase ID	Total duration	Duration	Phrase name	Content
6		3.936	AVRF07	est en derangement. Mais, vous pouvez joindre l'abonne au
7		1.088	AVRF08	est suspendu
8		2.300	AVRF09	est suspendu. Mais, vous pouvez joindre l'abonne au
9		1.472	AVRF12	n'est plus en service
10		4.320	AVRF13	n'est plus en service. Mais, vous pouvez joindre l'abonne au
11		2.560	AVRF14	vous devez maintenant appeler le
12		4.608	AVRF15	vous pouvez maintenant appeler sans frais le: un, huit-cent
13		4.608	AVRF18	Ce numero a ete remplace. Vous pouvez maintenant appeler sans frais le: un, huit-cent
14		2.272	AVRF20	Ce numero n'est plus en service.
15		5.248	AVRF21	Il n'y a plus d'abonne a ce numero. Vous devez maintenant appeler le
16		7.232	AVRF22	Il n'y a plus d'abonne a ce numero. Vous pouvez maintenant appeler sans frais le: un, huit-cent
17		4.096	AVRF23	En raison d'un incendie, ce numero n'est plus en service.
18		6.560	AVRF24	En raison d'un incendie, ce numero n'est plus en service. Mais, vous pouvez joindre l'abonne au
19		2.240	AVRF25	en raison d'un incendie, le
20		2.592	AVRF26	je repete
21		3.552	AVRF27	Je repete. Le numero est
22		4.320	AVRF28	Je repete. Le numero est: un
23		5.216	AVRF29	Je repete. Le numero est: un, huit-cent
Note: Duration time is in seconds.				
—continued—				

FAOSS0BF French voice file contents for virtual card 0 (continued)

Phrase ID	Total duration	Duration	Phrase name	Content
24		4.608	AVRF32	L'abonne a change d'adress. Il n'y a plus d'abonne a ce numero.
25		2.304	AVRF36	La ligne est en derangement.
26		5.056	AVRF37	La ligne est en derangement. Mais, vous pouvez joindre l'abonne au
27		1.472	AVRF40	le numero est
28		2.304	AVRF41	le numero est: un
29		6.144	AVRF53	Vous pouvez obtenir le numero sans frais. Le numero est: un, huit-cent
30		3.360	AVRF58	est en service. Veuillez refaire votre appel.
31		2.592	AVRF62	Il n'y a plus d'abonne a ce numero.
32		2.112	AVRF63	mais vous pouvez joindre l'abonne au
49			AVRF64	huit-cent
52			AVRF65	un
Note: Duration time is in seconds.				
—end—				

FAOSS0BF French voice file contents for virtual card 1

Phrase ID	Total duration	Duration	Phrase name	Content
0		1.024		1 s of silence
1		0.160		test tone 760 Hz at -13 dbm
2		0.992		prompt tone
3		0.512		0.5 s of silence
4		5.344	AVRF02	a ete remplace par un numero confidentiel. Il ne figure pas dans nos listes.
Note: Duration time is in seconds.				
—continued—				

FAOSS0BF French voice file contents for virtual card 1 (continued)

Phrase ID	Total duration	Duration	Phrase name	Content
5		3.800	AVRF04	a change d'adresse. Mais, la ligne n'est pas encore en service.
6		6.304	AVRF17	Ce numero a ete remplace par un numero confidentiel. Il ne figure pas dans nos listes.
7		4.192	AVRF31	L'abonne a change d'adresse. Il n'y a plus d'abonne au
8		4.640	AVRF33	L'abonne a change d'adresse. Mais la ligne n'est pas encore en service.
9		1.184	AVRF39	le numero
10		2.432	AVRF44	les appels n'y sont plus gratuits
11		4.672	AVRF45	Les appels n'y sont plus gratuits. Mais, vous pouvez appeler a frais vires.
12		4.896	AVRF47	Nous procedons a des essais sur la ligne. Veuillez rappeler plus tard.
13		2.144	AVRF50	Veuillez rappeler plus tard.
14		5.952	AVRF54	A la demande de l'abonne, le numero est confidentiel. Il ne figure pas dans nos listes.
15		3.136	AVRF55	a la demande de l'abonne, le service au
16		5.152	AVRF56	a la demande de l'abonne, le service est suspendu a ce numero
17		2.048	AVRF59	il n'y a plus d'abonne au
18		1.856	AVRF61	il n'y a pas d'abonne au
Note: Duration time is in seconds.				
—end—				

Voice file name FAOSS0BG

The following tables list the phrase IDs and content (silences, phrases or tones). This voice file is equivalent to DRAM card NT1X76BG.

FAOSS0BG French voice file contents for virtual card 0

Phrase ID	Total duration	Duration	Phrase name	Content
0		1.024		1 s of silence
1		0.160		test tone 760 Hz at -13dbm
2		0.992		prompt tone
3		0.512		0.5 s of silence
4		1.920	AVRF01	a ete remplace par le
5		1.344	AVRF05	au lieu du
6		1.504	AVRF10	n'est pas en service
7		1.856	AVRF11	n'est pas encore en service
8		3.200	AVRF16	ce numero a ete remplace par le
9		2.400	AVRF19	ce numero n'est pas en service
10		1.856	AVRF30	je regrette
11		1.184	AVRF34	l'abonne du
12		0.896	AVRF35	la ligne
13		2.496	AVRF38	la ligne n'est pas encore en service
14		1.216	AVRF42	le service au
15		2.560	AVRF43	le service est suspendu a ce numero
16		2.656	AVRF46	nous procedons a des essais sur la ligne
17		2.208	AVRF48	on ne peut recevoir d'appels au
18		5.888	AVRF49	si vous desirez de l'aide, ne quittez pas. Un telephoniste vous repondra.
19		1.728	AVRF51	vous avez obtenu le
Note: Duration time is in seconds.				
—continued—				

FAOSS0BG French voice file contents for virtual card 0 (continued)

Phrase ID	Total duration	Duration	Phrase name	Content
20		2.720	AVRF52	vous devez temporairement appeler le
21		3.328	AVRF57	a ce numero, on ne peut recevoir d'appels
Note: Duration time is in seconds.				
—end—				

FAOSS0BG French voice file contents for virtual card 1

Phrase ID	Total duration	Duration	Phrase name	Content
0		1.024		1 s of silence
1		0.160		test tone 760 Hz at -13dbm
2		0.992		prompt tone
3		0.512		0.5 s of silence
4		1	FHIR10	zero (high rising intonation)
5		1	FHIR11	un
6		1	FHIR12	deux
7		1	FHIR13	trois
8		1	FHIR14	quatre
9		1	FHIR15	cinq
10		1	FHIR16	six
11		1	FHIR17	sept
12		1	FHIR18	huit
13		1	FHIR19	neuf
14		1	FLORI0	zero (low rising intonation)
15		1	FLORI1	un
16		1	FLORI2	deux
Note: Duration time is in seconds.				
—continued—				

FAOSS0BG French voice file contents for virtual card 1 (continued)

Phrase ID	Total duration	Duration	Phrase name	Content
17		1	FLORI3	trois
18		1	FLORI4	quatre
19		1	FLORI5	cinq
20		1	FLORI6	six
21		1	FLORI7	sept
22		1	FLORI8	huit
23		1	FLORI9	neuf
24		1	FWAVE0	zero (falling, rising intonation)
25		1	FWAVE1	un
26		1	FWAVE2	deux
27		1	FWAVE3	trois
28		1	FWAVE4	quatre
29		1	FWAVE5	cinq
30		1	FWAVE6	six
31		1	FWAVE7	sept
32		1	FWAVE8	huit
33		1	FWAVE9	neuf
34		1	FFALL0	zero (falling intonation)
35		1	FFALL1	un
36		1	FFALL2	deux
37		1	FFALL3	trois
38		1	FFALL4	quatre
39		1	FFALL5	cinq
40		1	FFALL6	six
41		1	FFALL7	sept
42		1	FFALL8	huit
Note: Duration time is in seconds.				
—continued—				

FAOSS0BG French voice file contents for virtual card 1 (continued)

Phrase ID	Total duration	Duration	Phrase name	Content
43		1	FFALL9	neuf
44		1	FFLTBO	zero (flat B intonation)
45		1	FFLTBI	un
46		1	FFLTBI	deux
47		1	FFLTBI	trois
48		1	FFLTBI	quatre
49		1	FFLTBI	cinq
50		1	FFLTBI	six
51		1	FFLTBI	sept
52		1	FFLTBI	huit
53		1	FFLTBI	neuf
54		2.464	AVRF60	Il n'ya pas d'abonne a ce numero
Note: Duration time is in seconds.				
—end—				

Voice file name FACCS0BH

The following tables list the phrase IDs and content (silences, phrases or tones). This voice file is equivalent to DRAM card NT1X76BH.

FACCS0BH French voice file contents for virtual card 0

Phrase ID	Total duration	Duration	Phrase name	Content
0		1.024		1 s of silence
1		0.160		test tone 750 Hz
2		0.992		prompt tone
3		0.256	ACCSPAUSE	0.25 s of silence
Note: Duration time is in seconds.				
—continued—				

FACCS0BH French voice file contents for virtual card 0 (continued)

Phrase ID	Total duration	Duration	Phrase name	Content
4		1.216	ACCSTONE	
5		5.504	ACCSFRE2	Le numero de carte d'appel reçu n'est pas valide. Veuillez entrer a nouveau votre numero de carte.
6		7.168	ACCSFRE1	Veuillez entrer votre numero de carte d'appel ou faire le zero pour joindre le telephoniste. C'etait un message enregistre.
7		4.928	ACCSFRE9	Veuillez raccrocher, puis faire le zero et composer le numero que vous voulez joindre.
8		7.808	ACCSFRE4	Le numero de carte d'appel reçu n'est pas valide. Veuillez raccrocher, puis faire le zero et composer le numero que vous voulez joindre.
9		8.000	ACCSFRE8	Le numero que vous avez compose est inexact. Veuillez raccrocher, puis faire le zero et composer le numero que vous voulez joindre.
10		6.240	ACCSFRE6	Le numero que vous avez compose est inexact. Veuillez composer a nouveau le numero que vous voulez joindre.
11		8.256	ACCSFRE15	Des difficultes techniques nous empechent pour l'instant d'acheminer votre appel. Veuillez composer de nouveau. C'etait un message enregistre.
Note: Duration time is in seconds.				
—end—				

FACCS0BH French voice file contents for virtual card 1

Phrase ID	Total duration	Duration	Phrase name	Content
0		1.024		1 s of silence
1		0.160		test tone 750 Hz
2		0.992		prompt tone
3		0.256	ACCSPAU SE	0.25 s of silence
4		1.216	ACCSTON E	
5		2.496	ACCSFRE3	Veillez entrer votre numero de carte d'appel.
6		2.752	ACCSFRE7	Veillez composer le numero que vous voulez joindre.
7		0.544	ACCSFRE1 6	merci
8		1.440	ACCSFRE1 3	numero non valide
9		2.112	ACCSFRE5	Vous pouvez maintenant faire un autre appel.
10		4.992	ACCSFRE1 2	numero valide, NIP autorise, BRC non disponible
11		4.160	ACCSFRE1 0	numero valide, NIP autorise, BRC: xxx.
12		4.416	ACCSFRE1 2	numero valide, NIP autorise, BRC non disponible
13		0.640	CFRR0	zero (rising inflection)
14		0.544	CFRR1	un
15		0.608	CFRR2	deux
16		0.608	CFRR3	trois
17		0.640	CFRR4	quatre
18		0.704	CFRR5	cinq
19		0.640	CFRR6	six
Note: Duration time is in seconds.				
—continued—				

FACCS0BH French voice file contents for virtual card 1 (continued)

Phrase ID	Total duration	Duration	Phrase name	Content
20		0.672	CFRR7	sept
21		0.640	CFRR8	huit
22		0.640	CFRR9	neuf
23		0.608	FRE0	zero (flat B intonation)
24		0.736	FRE1	un
25		0.704	FRE2	deux
26		0.704	FRE3	trois
27		0.768	FRE4	quatre
28		0.704	FRE5	cinq
29		0.704	FRE6	six
30		0.736	FRE7	sept
31		0.736	FRE8	huit
32		0.704	FRE9	neuf
33		0.640	CFRF0	zero (falling intonation)
34		0.576	CFRF1	un
35		0.608	CFRF2	deux
36		0.640	CFRF3	trois
37		0.704	CFRF4	quatre
38		0.768	CFRF5	cinq
39		0.704	CFRF6	six
40		0.672	CFRF7	sept
41		0.672	CFRF8	huit
42		0.672	CFRF9	neuf
Note: Duration time is in seconds.				
—end—				

Voice file name FCLS10BJ

The following tables list the phrase IDs and content (silences, phrases or tones). This voice file is equivalent to DRAM card NT1X76BJ.

FCLS10BJ French voice file contents for virtual card 0

Phrase ID	Total duration	Duration	Phrase name	Content
0	1.024			one second silence
1				Test tone
	0.160			750 Hz tone
2				Prompt tone
		0.512		silence
		0.096		750 Hz tone
		0.032		silence
		0.096		750 Hz tone
		0.032		silence
		0.096		750 Hz tone
	0.992	0.128		silence
3	0.256			1/4 second silence
4	1.824	1.152		Veillez raccrocher.
5	4.160	3.616		Il est impossible d'obtenir le numéro du dernier demandeur.
6	4.288	3.744		Vous ne pouvez pas composer ce numéro au moyen de cette fonction.
7	3.232	2.688		Vous avez annulé toutes vos demandes de rappel.
8		3.168		Le dernier appel que vous avez reçu a été retracé.
Note: Duration time is in seconds.				
—continued—				

FCLS10BJ French voice file contents for virtual card 0 (continued)

Phrase ID	Total duration	Duration	Phrase name	Content
9	8.448	4.160		Si vous désirez faire d'autres démarches, communiquez avec la police.
		3.680		Le dernier appel que vous avez reçu ne peut pas être retracé.
	9.120	4.320		Pour obtenir d'autres instructions, consultez les pages liminaires de l'annuaire.
Note: Duration time is in seconds.				
—end—				

FCLS10BJ French voice file contents for virtual card 1

Phrase ID	Total duration	Duration	Phrase name	Content
0	1.024			one second silence
1				Test tone
	0.160			750 Hz tone
Note: Duration time is in seconds.				
—continued—				

FCLS10BJ French voice file contents for virtual card 1 (continued)

Phrase ID	Total duration	Duration	Phrase name	Content
2	0.992			Prompt tone
			0.512	silence
			0.096	750 Hz tone
			0.032	silence
			0.096	750 Hz tone
			0.032	silence
			0.096	750 Hz tone
3	0.256			silence
4	6.208	5.536		1/4 second silence
5	5.152	4.544		Une sonnerie spéciale vous avertira dès qu'elle sera libre. Veuillez raccrocher.
6	1.088	0.544		Vous ne pouvez pas composer actuellement ce numéro au moyen de cette fonction.
7	3.360	2.688		(Busy Tone)
8	1.984	1.312		Raccrochez et essayez de nouveau plus tard.
9	2.432	1.824		La ligne est occupée.
10	5.600	4.928		La ligne est de nouveau occupée.
Note: Duration time is in seconds.				
—end—				

Voice file name FCLS10BK

The following tables list the phrase IDs and content (silences, phrases or tones). This voice file is equivalent to DRAM card NT1X76BK.

FCLS10BK French voice file contents for virtual card 0

Phrase ID	Total duration	Duration	Phrase name	Content
0	1.024			one second silence
1				Test tone
	0.160			750 Hz tone
2				Prompt tone
		0.512		silence
		0.096		750 Hz tone
		0.032		silence
		0.096		750 Hz tone
		0.032		silence
		0.096		750 Hz tone
	0.992	0.128		silence
3	0.256			1/4 second silence
4	4.928	3.648		Pour le composer, faites le "un"; sinon raccrochez.
5	3.360	2.688		Raccrochez et composez le numéro vous-même.
6	3.168	2.688		Le numéro de dernier demandeur est le ...
Note: Duration time is in seconds.				
—continued—				

FCLS10BK French voice file contents for virtual card 0 (continued)

Phrase ID	Total duration	Duration	Phrase name	Content
7	3.360	3.296		Le numéro de dernier demandeur est confidentiel.
8	4.160	3.616		Vous ne pouvez pas composer ce numéro au moyen de cette fonction.
Note: Duration time is in seconds.				
—end—				

FCLS10BK French voice file contents for virtual card 1

Phrase ID	Total duration	Duration	Phrase name	Content
0	1.024			one second silence
1				Test tone
	0.160			750 Hz tone
2				Prompt tone
		0.512		silence
		0.096		750 Hz tone
		0.032		silence
		0.096		750 Hz tone
		0.032		silence
		0.096		750 Hz tone
	0.992	0.128		silence
3	0.256			1/4 second silence
Note: Duration time is in seconds.				
—continued—				

FCLS10BK French voice file contents for virtual card 1 (continued)

Phrase ID	Total duration	Duration	Phrase name	Content
4				0 (High rise intonation)
5				1
6				2
7				3
8				4
9				5
10				6
11				7
12				8
13				9
14				0 (Low rise intonation)
15				1
16				2
17				3
18				4
19				5
19				6
20				7
21				8
22				9
23				0 (Fall rise intonation)
24				1
25				2
26				3
27				4
28				5
Note: Duration time is in seconds.				
—continued—				

FCLS10BK French voice file contents for virtual card 1 (continued)

Phrase ID	Total duration	Duration	Phrase name	Content
29				6
30				7
31				8
32				9
33				0 (Falling intonation)
34				1
35				2
36				3
37				4
38				5
39				6
40				7
41				8
42				9
43				0 (Level or flat intonation)
44				1
45				2
47				3
48				4
49				5
50				6
51				7
52				8
53				9
Note: Duration time is in seconds.				
—end—				

Voice file name FCLS20BP

The following tables list the phrase IDs and content (silences, phrases or tones). This voice file is equivalent to DRAM card NT1X76BP.

FCLS20BP French voice file contents for virtual card 0

Phrase ID	Total duration	Duration	Phrase name	Content
0	1.024			one second silence
1				Test tone
	0.160			750 Hz tone
2				Prompt tone
		0.512		silence
		0.096		750 Hz tone
		0.032		silence
		0.096		750 Hz tone
		0.032		silence
		0.096		750 Hz tone
	0.992	0.128		silence
Note: Duration time is in seconds.				
—continued—				

FCLS20BP French voice file contents for virtual card 0 (continued)

Phrase ID	Total duration	Duration	Phrase name	Content
3	0.256			1/4 second silence
4		4.448		Composez le numéro à supprimer et appuyez de nouveau sur l'étoile.
		6.560		Pour supprimer tous les numéros, faites 0, 8 et appuyez de nouveau sur l'étoile.
		7.328		Pour supprimer les numéros confidentiels seulement, faites 0, 9 et appuyez de nouveau sur l'étoile.
		3.456		Pour écouter de nouveau les instructions, faites le 0.
	26.112	1.344		Veillez faire votre choix.
Note: Duration time is in seconds.				
—end—				

FCLS20BP French voice file contents for virtual card 1

Phrase ID	Total duration	Duration	Phrase name	Content
0	1.024			one second silence
1				Test tone
	0.160			750 Hz tone
Note: Duration time is in seconds.				
—continued—				

FCLS20BP French voice file contents for virtual card 1 (continued)

Phrase ID	Total duration	Duration	Phrase name	Content
2				Prompt tone
		0.512		silence
		0.096		750 Hz tone
		0.032		silence
		0.096		750 Hz tone
		0.032		silence
		0.096		750 Hz tone
	0.992	0.128		silence
3	0.256			1/4 second silence
4		1.888		Composez le numéro à supprimer. Pour supprimer tous les numéros, faites 0, 8. Pour supprimer les numéros confidentiels seulement, faites 0, 9. Pour écouter de nouveau les instructions, faites le 0. Veuillez faire votre choix.
Note: Duration time is in seconds.				
—end—				

Voice file name FCLS20BQ

The following tables list the phrase IDs and content (silences, phrases or tones). This voice file is equivalent to DRAM card NT1X76BQ.

FCLS20BQ French voice file contents for virtual card 0

Phrase ID	Total duration	Duration	Phrase name	Content
0	1.024			1 s silence
1				Test tone
	0.160			750 Hz tone
2				Prompt tone
		0.512		silence
		0.096		750 Hz tone
		0.032		silence
		0.096		750 Hz tone
		0.032		silence
		0.096		750 Hz tone
	0.992	0.128		silence
3	0.256			.25 s silence
4	5.504	4.832		Recommencez, faites le 0 pour obtenir des instructions ou raccrochez.
5	3.264	2.720		Le numéro que vous avez composé est incorrect.
Note: Duration time is in seconds.				
—continued—				

FCLS20BQ French voice file contents for virtual card 0 (continued)

Phrase ID	Total duration	Duration	Phrase name	Content
6	2.400	1.728		Cette commande est incorrecte.
7	3.712	3.136		Le numéro à supprimer ne figure pas dans votre liste.
Note: Duration time is in seconds.				
—end—				

FCLS20BQ French voice file contents for virtual card 1

Phrase ID	Total duration	Duration	Phrase name	Content
0	1.024			1 s silence
1				Test tone
	0.160			750 Hz tone
2				Prompt tone
		0.512		silence
		0.096		750 Hz tone
		0.032		silence
		0.096		750 Hz tone
		0.032		silence
		0.096		750 Hz tone
	0.992	0.128		silence
3	0.256			.25 s silence
Note: Duration time is in seconds.				
—continued—				

FCLS20BQ French voice file contents for virtual card 1 (continued)

Phrase ID	Total duration	Duration	Phrase name	Content
4	4.416	3.840		Pour activer cette fonction, ajoutez un numéro à votre liste.
5		2.592		Pour refuser les appels du dernier demandeur, appuyez sur le carré, faites 0, 1 et appuyez de nouveau sur le carré.
	9.248	5.536		
6		2.592		Pour refuser les appels du dernier demandeur, faites 1, 2 puis 0, 1.
	7.808	4.032		
7	3.136	2.464		Pour l'ajouter, appuyez sur le carré.
8	3.008	2.336		Pour l'ajouter, faites 1, 2.
Note: Duration time is in seconds.				
—end—				

Voice file name FCLS20BR

The following tables list the phrase IDs and content (silences, phrases or tones). This voice file is equivalent to DRAM card NT1X76BR.

FCLS20BR French voice file contents for virtual card 0

Phrase ID	Total duration	Duration	Phrase name	Content
0	1.024			1 s silence
1				Test tone
	0.160			750 Hz tone
Note: Duration time is in seconds.				
—continued—				

FCLS20BR French voice file contents for virtual card 0 (continued)

Phrase ID	Total duration	Duration	Phrase name	Content
2				Prompt tone
		0.512		silence
		0.096		750 Hz tone
		0.032		silence
		0.096		750 Hz tone
		0.032		silence
		0.096		750 Hz tone
		0.992	0.128	
3	0.256			.25 s silence
4		4.096		Composez le numéro à ajouter et appuyez de nouveau sur
		7.008		pour ajouter le numéro du dernier demandeur, faites 0, 1 et appuyez de nouveau sur le carré
		14.722	1.344	veuillez faire votre choix.
Note: Duration time is in seconds.				
—end—				

FCLS20BR French voice file contents for virtual card 1

Phrase ID	Total duration	Duration	Phrase name	Content
0	1.024			1 s silence
1				Test tone
	0.160			750 Hz tone
2				Prompt tone
		0.512		silence
		0.096		750 Hz tone
		0.032		silence
		0.096		750 Hz tone
		0.032		silence
		0.096		750 Hz tone
	0.992	0.128		silence
3	0.256			.25 s silence
4		2.016		Composez le numéro à ajouter.
		4.384		Pour ajouter le numéro du dernier demandeur, faire 0, 1
	9.568	1.344		veuillez faire votre choix.
Note: Duration time is in seconds.				
—end—				

Voice file name FCLS20BS

The following tables list the phrase IDs and content (silences, phrases or tones). This voice file is equivalent to DRAM card NT1X76BS

FCLS20BS French voice file contents for virtual card 0

Phrase ID	Total duration	Duration	Phrase name	Content
0	1.024			1 s silence
1				Test tone
	0.160			750 Hz tone
2				Prompt tone
		0.512		silence
		0.096		750 Hz tone
		0.032		silence
		0.096		750 Hz tone
		0.032		silence
		0.096		750 Hz tone
	0.992	0.128		silence
3	0.256			.25 s silence
4	4.320	3.584		Recommencez ou faites le 0 pour obtenir des instructions.
5	3.520	2.976		Vous avez composé un nombre insuffisant de chiffres.
6	3.456	2.880		Vous avez composé un trop grand nombre de chiffres.
7	3.744	3.136		Le numéro du dernier demandeur n'est pas accessible.
Note: Duration time is in seconds.				
—continued—				

FCLS20BS French voice file contents for virtual card 0 (continued)

Phrase ID	Total duration	Duration	Phrase name	Content
8	4.352	3.744		Le systeme ne peut pas accepter le numéro que vous avez composé.
9	5.696	5.088		Après avoir appuyé sur le carré ou l'étoile, composez un numéro de téléphone.
10	6.048	5.504		Après avoir faite 1, 2 ou 1, 1, composez un numéro de téléphone.
11	3.680	3.072		Vous venez de supprimer les chiffres que vous avez composés.
12	0.352	0.352		(Prompt tone)
Note: Duration time is in seconds.				
—end—				

FCLS20BS French voice file contents for virtual card 1

Phrase ID	Total duration	Duration	Phrase name	Content
0	1.024			1 s silence
1				Test tone
	0.160			750 Hz tone
Note: Duration time is in seconds.				
—continued—				

FCLS20BS French voice file contents for virtual card 1 (continued)

Phrase ID	Total duration	Duration	Phrase name	Content
2				Prompt tone
		0.512		silence
		0.096		750 Hz tone
		0.032		silence
		0.096		750 Hz tone
		0.032		silence
		0.096		750 Hz tone
	0.992	0.128		silence
3	0.256			.25 s silence
4		2.560		Pour activer cette fonction, faites le 3.
		2.880		Pour ajouter un numéro, appuyez sur le carré.
		4.064		Pour supprimer un ou plusieurs numéros, appuyez sur l'étoile.
		3.968		Pour écouter les numéros qui figurent dans votre liste, faites le 1.
		3.456		Pour écouter de nouveau les instructions, faites le 0.
	21.888	1.344		Veillez faire votre choix.
Note: Duration time is in seconds.				
—continued—				

FCLS20BS French voice file contents for virtual card 1 (continued)

Phrase ID	Total duration	Duration	Phrase name	Content
5	22.368	3.040		Pour désactiver cette fonction, faites le 3.
		2.880		Pour ajouter un numéro, appuyez sur le carré.
		4.064		Pour supprimer un ou plusieurs numéros, appuyez sur l'étoile.
		3.968		Pour écouter les numéros qui figurent dans votre liste, faites le 1.
		3.456		Pour écouter de nouveau les instructions, faites le 0.
		1.344		Veillez faire votre choix.
6	21.856	2.560		Pour activer cette fonction, faites le 3.
		2.784		Pour ajouter un numéro, faites 1, 2.
		4.128		Pour supprimer un ou plusieurs numéros, faites 1, 1.
		3.968		Pour écouter les numéros qui figurent dans votre liste, faites le 1.
		3.456		Pour écouter de nouveau les instructions, faites le 0.
		1.344		Veillez faire votre choix.
7	22.336	3.040		Pour désactiver cette fonction, faites le 3.
		2.784		Pour ajouter un numéro, faites 1, 2.
		4.128		Pour supprimer un ou plusieurs numéros, faites 1, 1.
		3.968		Pour écouter les numéros qui figurent dans votre liste, faites le 1.
		3.456		Pour écouter de nouveau les instructions, faites le 0.
		1.344		Veillez faire votre choix.
Note: Duration time is in seconds.				
—end—				

Voice file name FCLS20BT

The following tables list the phrase IDs and content (silences, phrases or tones). This voice file is equivalent to DRAM card NT1X76BT.

FCLS20BT French voice file contents for virtual card 0

Phrase ID	Total duration	Duration	Phrase name	Content
0	1.024			1 s silence
1				Test tone
	0.160			750 Hz tone
2				Prompt tone
		0.512		silence
		0.096		750 Hz tone
		0.032		silence
		0.096		750 Hz tone
		0.032		silence
		0.096		750 Hz tone
	0.992	0.128		silence
3	0.256			.25 s silence
4	2.080	1.664		Vous avez ajouté le ...
5	3.424	2.816		Attendez quelques minutes avant d'ajouter le numéro.
6	1.888	1.472		Vous avez supprimé le ...
7	3.136	2.528		Votre liste ne comporte plus aucun numéro.
8	4.096	3.488		Votre liste ne comporte plus aucun numéro confidentiel.
9	2.272	1.600		La liste est terminée.
Note: Duration time is in seconds.				
—continued—				

FCLS20BT French voice file contents for virtual card 0 (continued)

Phrase ID	Total duration	Duration	Phrase name	Content
10	2.240	1.760		Le premier numéro est le ...
11	2.240	1.824		Le numéro suivant est le ...
12	4.704	4.096		Ce numéro figure déjà dans votre liste comme numéro confidentiel.
13	1.376	0.832		Le numéro ...
14	2.400	1.728		Figure déjà dans votre liste.
15	2.592	1.984		Je répète, le numéro ...
Note: Duration time is in seconds.				
—end—				

FCLS20BT French voice file contents for virtual card 1

Phrase ID	Total duration	Duration	Phrase name	Content
0	1.024			1 s silence
1				Test tone
	0.160			750 Hz tone
Note: Duration time is in seconds.				
—continued—				

FCLS20BT French voice file contents for virtual card 1 (continued)

Phrase ID	Total duration	Duration	Phrase name	Content
2				Prompt tone
		0.512		silence
		0.096		750 Hz tone
		0.032		silence
		0.096		750 Hz tone
		0.032		silence
		0.096		750 Hz tone
	0.992	0.128		silence
3	0.256			.25 s silence
4				0 (High rise intonation)
5				1
6				2
7				3
8				4
9				5
10				6
11				7
12				8
13				9
14				0 (Low rise intonation)
15				1
16				2
17				3
18				4
Note: Duration time is in seconds.				
—continued—				

FCLS20BT French voice file contents for virtual card 1 (continued)

Phrase ID	Total duration	Duration	Phrase name	Content
19				5
20				6
21				7
22				8
23				9
24				0 (Fall rise intonation)
25				1
26				2
27				3
28				4
29				5
30				6
31				7
32				8
33				9
34				0 (Falling intonation)
35				1
36				2
37				3
38				4
39				5
40				6
41				7
42				8
43				9
44				0 (Level or flat intonation)
Note: Duration time is in seconds.				
—continued—				

FCLS20BT French voice file contents for virtual card 1 (continued)

Phrase ID	Total duration	Duration	Phrase name	Content
45				1
46				2
47				3
48				4
49				5
50				6
51				7
52				8
53				9
Note: Duration time is in seconds.				
—end—				

Voice file name FCLS20BU

The following tables list the phrase IDs and content (silences, phrases or tones). This voice file is equivalent to DRAM card NT1X76BU.

FCLS20BU French voice file contents for virtual card 0

Phrase ID	Total duration	Duration	Phrase name	Content
0	1.024			1 s silence
1				Test tone
	0.160			750 Hz tone
Note: Duration time is in seconds.				
—continued—				

FCLS20BU French voice file contents for virtual card 0 (continued)

Phrase ID	Total duration	Duration	Phrase name	Content
2				Prompt tone
		0.512		silence
		0.096		750 Hz tone
		0.032		silence
		0.096		750 Hz tone
		0.032		silence
		0.096		750 Hz tone
	0.992	0.128		silence
3	0.256			.25 s silence
4	3.776	3.168		Votre liste comporte cinq numéros confidentiels.
5	3.584	2.976		Votre liste comporte deux numéros confidentiels.
6	3.712	3.104		Votre liste comporte huit numéros confidentiels.
7	3.680	3.040		Votre liste comporte neuf numéros confidentiels.
8	3.680	3.072		Votre liste comporte quatre numéros confidentiels.
9	3.712	3.104		Votre liste comporte sept numéros confidentiels.
10	3.648	3.040		Votre liste comporte six numéros confidentiels.
11	3.680	3.072		Votre liste comporte trois numéros confidentiels.
Note: Duration time is in seconds.				
—continued—				

FCLS20BU French voice file contents for virtual card 0 (continued)

Phrase ID	Total duration	Duration	Phrase name	Content
12	3.648	3.040		Votre liste comporte un numéro confidentiel.
13	5.056	4.384		Activez une autre fonction ou faites le 0 pour obtenir des instructions.
Note: Duration time is in seconds.				
—end—				

FCLS20BU French voice file contents for virtual card 1

Phrase ID	Total duration	Duration	Phrase name	Content
0	1.024			1 s silence
1				Test tone
	0.160			750 Hz tone
2				Prompt tone
		0.512		silence
		0.096		750 Hz tone
		0.032		silence
		0.096		750 Hz tone
		0.032		silence
		0.096		750 Hz tone
	0.992	0.128		silence
3	0.256			.25 s silence
Note: Duration time is in seconds.				
—continued—				

FCLS20BU French voice file contents for virtual card 1 (continued)

Phrase ID	Total duration	Duration	Phrase name	Content
4	2.816	2.208		Dont cinq numéros confidentiels.
5	2.688	2.080		Dont deux numéros confidentiels.
6	2.688	2.080		Dont dix numéros confidentiels.
7	2.720	2.112		Dont huit numéros confidentiels.
8	2.688	2.080		Dont neuf numéros confidentiels.
9	2.752	2.144		Dont onze numéros confidentiels.
10	2.752	2.144		Dont quatre numéros confidentiels.
11	2.752	2.144		Dont sept numéros confidentiels.
12	2.784	2.176		Dont six numéros confidentiels.
13	2.528	1.920		Dont trois numéros confidentiels..
14	2.624	2.016		Dont un numéro confidentiel.
15	7.744	7.072		Après chaque numéro, faites 0, 7 si vous désirez le supprimer, et continuez de reviser votre liste.
Note: Duration time is in seconds.				
—end—				

Voice file name FCLS20BV

The following tables list the phrase IDs and content (silences, phrases or tones). This voice file is equivalent to DRAM card NT1X76BV.

FCLS20BV French voice file contents for virtual card 0

Phrase ID	Total duration	Duration	Phrase name	Content
0	1.024			1 s silence
1				Test tone
	0.160			750 Hz tone
2				Prompt tone
		0.512		silence
		0.096		750 Hz tone
		0.032		silence
		0.096		750 Hz tone
		0.032		silence
		0.096		750 Hz tone
	0.992	0.128		silence
3	0.256			.25 s silence
4	3.776	3.168		Votre liste comporte cinq numéros.
5	3.584	2.976		Votre liste comporte deux numéros.
6	3.712	3.104		Votre liste comporte dix numéros.
7	3.680	3.040		Votre liste comporte douze numéros.
8	3.680	3.072		Votre liste comporte huit numéros.
9	3.712	3.104		Votre liste comporte neuf numéros.
10	3.648	3.040		Votre liste comporte onze numéros.
11	3.680	3.072		Votre liste comporte quatre numéros.
Note: Duration time is in seconds.				
—continued—				

FCLS20BV French voice file contents for virtual card 0 (continued)

Phrase ID	Total duration	Duration	Phrase name	Content
12	3.648	3.040		Votre liste comporte sept numéros.
13	2.560	2.144		Votre liste comporte six numéros.
14	2.592	2.176		Votre liste comporte trois numéros.
15	2.592	2.176		Votre liste comporte un numéro.
16	5.056	4.384		Poursuivez, faites le 0 pour obtenir des instructions ou raccrochez. (Version 2; to be used following a DN)
Note: Duration time is in seconds.				
—end—				

FCLS20BV French voice file contents for virtual card 1

Phrase ID	Total duration	Duration	Phrase name	Content
0	1.024			1 s silence
1				Test tone
	0.160			750 Hz tone
Note: Duration time is in seconds.				
—continued—				

FCLS20BV French voice file contents for virtual card 1 (continued)

Phrase ID	Total duration	Duration	Phrase name	Content
2				Prompt tone
		0.512		silence
		0.096		750 Hz tone
		0.032		silence
		0.096		750 Hz tone
		0.032		silence
		0.096		750 Hz tone
	0.992	0.128		silence
3	0.256			.25 s silence
4	2.912	2.304		Votre liste comporte cinq numéros.
5	2.720	2.112		Votre liste comporte deux numéros.
6	2.816	2.208		Votre liste comporte dix numéros.
7	2.816	2.208		Votre liste comporte douze numéros.
8	2.880	2.208		Votre liste comporte huit numéros.
9	2.816	2.208		Votre liste comporte neuf numéros.
10	2.880	2.272		Votre liste comporte onze numéros.
11	2.816	2.208		Votre liste comporte quatre numéros.
12	2.944	2.336		Votre liste comporte sept numéros.
13	2.752	2.144		Votre liste comporte six numéros.
14	2.880	2.272		Votre liste comporte trois numéros.
15	2.784	2.176		Votre liste comporte un numéro.
Note: Duration time is in seconds.				
—end—				

Voice file name FCLS20BW

The following tables list the phrase IDs and content (silences, phrases or tones). This voice file is equivalent to DRAM card NT1X76BW.

FCLS20BW French voice file contents for virtual card 0

Phrase ID	Total duration	Duration	Phrase name	Content
0	1.024			1 s silence
1				Test tone
	0.160			750 Hz tone
2				Prompt tone
		0.512		silence
		0.096		750 Hz tone
		0.032		silence
		0.096		750 Hz tone
		0.032		silence
		0.096		750 Hz tone
	0.992	0.128		silence
3	0.256			.25 s silence
4	2.592	1.984		Le sélectif est maintenant activé.
5	2.720	2.112		Le sélectif est maintenant désactivé.
6	5.312	4.640		Poursuivez, faites le 0 pour obtenir des instructions ou raccrochez. (Version 1)
7	6.528	5.856		Pour gagner du temps, vous pouvez composer pendant l'annonce raccrochez dès que vous aurez terminé.
8	3.584	2.976		Le numéro que vous avez ajouté est confidentiel.
Note: Duration time is in seconds.				
—continued—				

FCLS20BW French voice file contents for virtual card 0 (continued)

Phrase ID	Total duration	Duration	Phrase name	Content
9	4.960	4.352		Votre liste est complétée. Pour ajouter un numéro supprimez-en un.
10	3.392	2.848		Vous avez supprimé un numéro confidentiel.
11	5.472	4.800		Raccrochez, consultez le guide de l'utilisateur et essayez de nouveau plus tard.
Note: Duration time is in seconds.				
—end—				

FCLS20BW French voice file contents for virtual card 1

Phrase ID	Total duration	Duration	Phrase name	Content
0	1.024			1 s silence
1				Test tone
	0.160			750 Hz tone
2				Prompt tone
		0.512		silence
		0.096		750 Hz tone
		0.032		silence
		0.096		750 Hz tone
		0.032		silence
		0.096		750 Hz tone
	0.992	0.128		silence
Note: Duration time is in seconds.				
—continued—				

FCLS20BW French voice file contents for virtual card 1 (continued)

Phrase ID	Total duration	Duration	Phrase name	Content
3	0.256			.25 s silence
4	3.840	3.232		Votre liste comporte dix numéros confidentiels.
5	2.720	2.112		Dont douze numéros confidentiels.
6	3.712	3.104		Votre liste comporte douze numéros confidentiels.
7	3.744	3.136		Votre liste comporte onze numéros confidentiels.
8	0.352	0.352		(Prompt tone)
9	3.776	3.104		Raccrochez et essayez de nouveau dans quelques minutes.
10	2.976	2.368		Votre liste ne comporte aucun numéro.
11	3.616	3.008		Vous ne pouvez pas accéder à cette fonction actuellement.
12	3.200	2.528		Votre liste ne comporte plus aucun numéro.
Note: Duration time is in seconds.				
—end—				

Spanish announcements

This section contains the following voice files:

- SCLS10CJ
- SCLS10CK
- SCLS20CP
- SCLS20CQ
- SCLS20CR
- SCLS20CS
- SCLS20CT
- SCLS20CU
- SCLS20CV
- SCLS20CW
-

Voice file name SCLS10CJ

The following tables list the phrase IDs and content (silences, phrases or tones). This voice file is equivalent to DRAM card NT1X76CJ.

SCLS10CJ Spanish voice file contents for virtual card 0

Phrase ID	Total duration	Duration	Phrase Name	Content
4			CLASSSPA01A	Por favor, cuelgue ahora. + <0.400 second silence>
5			CLASSSPA02	Lo sentimos, desconocemos el último número que llamó a su línea. + <0.400 second silence>
6			CLASSSPA03A	Lo sentimos, el número no puede ser conseguido ahora por este método. + <0.400 second silence>
7			CLASSSPA03B	Los sentimos, el número no puede ser conseguido por este método. + <0.400 second silence>
Note 1: Duration time is in seconds.				
—continued—				

SCLS10CJ Spanish voice file contents for virtual card 0 (continued)

Phrase ID	Total duration	Duration	Phrase Name	Content
8			CLASSSPA03C	Usted canceló todas sus solicitudes par devolver llamadas. + <0.400 second silence>
9			CLASSSP03D (CLASSSPA07*)	Lo sentimos, el último número que usted llamó no puede ser conseguido por este método. + <0.400 second silence>
10			CLASSSPA04	Usted cancelado todas sus solicitudes par devolver llamadas. + <0.400 second silence>
11			CLASSSPA08	Lo sentimos, el último número que usted llamó no puede ser conseguido ahora por este método. + <0.400 second silence>
Note 1: Duration time is in seconds.				
—end—				

SCLS10CJ Spanish voice file contents for virtual card 1

Phrase ID	Total duration	Duration	Phrase Name	Content
4			CLASSSPA05	La último llamada a su teléfono ha sido restreada. Si usted desea tomar acción, comuníquese con el departamento de policía. + <0.400 second silence>
5			CLASSSPA06	La último llamada a su teléfono no pudo ser rastreada. Por favor, consulte las páginas introductorias de su directorio telefónico para instrucciones adicionales. + <0.400 second silence>

SCLS10CJ Spanish voice file contents for virtual card 1 (continued)

Phrase ID	Total duration	Duration	Phrase Name	Content
6			CLASSSPA07A	Usted será notificado mediante timbrado especial cuando la línea esté libre. Por favor, cuelgue ahora. + <0.400 second silence>
7			CLASSSPA09	<busy tone = (0.500 second of {[480 Hz @ -24dBm] + [620Hz @ -24dBm]} + (0.500 second silence)>
8			CLASSSPA10	Por favor, cuelgue y trate mas tarde. + <0.400 second silence>
9			CLASSSPA11A	La línea está ocupada. + <0.400 second silence)
10			CLASSSPA11B	El último número que usted llamó esta ocupado. + <0.400 second silence>
Note 1: Duration time is in seconds.				
—end—				

Voice file name SCLS10CK

The following tables list the phrase IDs and content (silences, phrases or tones). This voice file is equivalent to DRAM card NT1X76CK.

SCLS10CK Spanish voice file contents for virtual card 0

Phrase ID	Total duration	Duration	Phrase Name	Content
4			CLASSSPA12A	La línea estuvo libre, sin embargo, volvió a ocuparse otra vez. + <0.400 second silence>
5			CLASSSPA13	Por favor cuelgue y trate mas tarde o llamo al número directamente. + <0.400 second silence>
6			CLASSSPA14A	<0.400 second silence> + Para llamar a este número, marque "1"; de lo contrario, cuelgue ahora. + <0.400 second silence>
7			CLASSSPA14B	Si usted desea llamar a este número, marque "1"; de lo contrario, cuelgue ahora. + < 0.400 second silence>
8			CLASSSPA15	Por favor cuelgue ahora y llama al número directamente. + <0.400 second silence>
9			CLASSSPA16	El último número que llamó a su línea fue: + < 0.400 second silence>
10			CLASSSPA17	El último número que llamó a su línea es privado. + < 0.400 second silence>
Note 1: Duration time is in seconds.				
—end—				

SCLS10CK Spanish voice file contents for virtual card 1

Phrase ID	Total duration	Duration	Phrase Name	Content
4			FHIRI:SHIRI0	[high-rise] cero + <0.096 second silence>
5			FHIRI:SHIRI1	[high-rise] uno + <0.096 second silence>
6			FHIRI:SHIRI2	[high-rise] dos + <0.096 second silence>
7			FHIRI:SHIRI3	[high-rise] tres + <0.096 second silence>
8			FHIRI:SHIRI4	[high-rise] cuatro + <0.096 second silence>
9			FHIRI:SHIRI5	[high-rise] cinco + <0.096 second silence>
10			FHIRI:SHIRI6	[high-rise] seis + <0.096 second silence>
11			FHIRI:SHIRI7	[high-rise] siete + <0.096 second silence>
12			FHIRI:SHIRI8	[high-rise] ocho + <0.096 second silence>
13			FHIRI:SHIRI9	[high-rise] nueve + <0.096 second silence>
14			FFLTA:SLORI0	[low-rise] cero + <0.096 second silence>
15			FFLTA:SLORI1	[low-rise] uno + <0.096 second silence>
16			FFLTA:SLORI2	[low-rise] dos + <0.096 second silence>
17			FFLTA:SLORI3	[low-rise] tres + <0.096 second silence>
18			FFLTA:SLORI4	[low-rise] cuatro + <0.096 second silence>
19			FFLTA:SLORI5	[low-rise] cinco + <0.096 second silence>
Note 1: Duration time is in seconds.				
—continued—				

SCLS10CK Spanish voice file contents for virtual card 1 (continued)

Phrase ID	Total duration	Duration	Phrase Name	Content
20			FFLTA:SLORI6	[low-rise] seis + <0.096 second silence>
21			FFLTA:SLORI7	[low-rise] siete + <0.096 second silence>
22			FFLTA:SLORI8	[low-rise] ocho + <0.096 second silence>
23			FFLATA:SLORI9	[low-rise] nueve + <0.096 second silence>
24			FWAVE: SWAVE0	[fall-rise] cero + <0.096 second silence>
25			FWAVE: SWAVE1	[fall-rise] uno + <0.096 second silence>
26			FWAVE: SWAVE2	[fall-rise] dos + <0.096 second silence>
27			FWAVE: SWAVE3	[fall-rise] tres + <0.096 second silence>
28			FWAVE: SWAVE4	[fall-rise] cuatro + <0.096 second silence>
29			FWAVE: SWAVE5	[fall-rise] cinco + <0.096 second silence>
30			FWAVE: SWAVE6	[fall-rise] seis + <0.096 second silence>
31			FWAVE: SWAVE7	[fall-rise] siete + <0.096 second silence>
32			FWAVE: SWAVE8	[fall-rise] ocho + <0.096 second silence>
33			FWAVE:SWAVE9	[fall-rise] nueve + <0.096 second silence>
34			FFALL:SFALL0	[falling] cero + <0.096 second silence>
35			FFALL:SFALL1	[falling] uno + <0.096 second silence>
Note 1: Duration time is in seconds.				
—continued—				

SCLS10CK Spanish voice file contents for virtual card 1 (continued)

Phrase ID	Total duration	Duration	Phrase Name	Content
36			FFALL:SFALL2	[falling] dos + <0.096 second silence>
37			FFALL:SFALL3	[falling] tres + <0.096 second silence>
38			FFALL:SFALL4	[falling] cuatro + <0.096 second silence>
39			FFALL:SFALL5	[falling] cinco + <0.096 second silence>
40			FFALL:SFALL6	[falling] seis + <0.096 second silence>
41			FFALL:SFALL7	[falling] siete + <0.096 second silence>
42			FFALL:SFALL8	[falling] ocho + <0.096 second silence>
43			FFALL:SFALL9	[falling] nueve + <0.096 second silence>
44			FLORI:SFLTA0	[flat] cero + <0.096 second silence>
45			FLORI:SFLTA1	[flat] uno + <0.096 second silence>
46			FLORI:SFLTA2	[flat] dos + <0.096 second silence>
47			FLORI:SFLTA3	[flat] tres + <0.096 second silence>
48			FLORI:SFLTA4	[flat] cuatro + <0.096 second silence>
49			FLORI:SFLTA5	[flat] cinco + <0.096 second silence>
50			FLORI:SFLTA6	[flat] seis + <0.096 second silence>
51			FLORI:SFLTA7	[flat] siete + <0.096 second silence>
Note 1: Duration time is in seconds.				
—continued—				

SCLS10CK Spanish voice file contents for virtual card 1 (continued)

Phrase ID	Total duration	Duration	Phrase Name	Content
52			FLORI:SFLTA8	[flat] ocho + <0.096 second silence>
53			FLORI:SFLTA9	[flat] nueve + <0.096 second silence>
54			FFLTB:SFLTA0	[flat] cero + <0.096 second silence>
55			FFLTB:SFLTA1	[flat] uno + <0.096 second silence>
56			FFLTB:SFLTA2	[flat] dos + <0.096 second silence>
57			FFLTB:SFLTA3	[flat] tres + <0.096 second silence>
58			FFLTB:SFLTA4	[flat] cuatro + <0.096 second silence>
59			FFLTB:SFLTA5	[flat] cinco + <0.096 second silence>
60			FFLTB:SFLTA6	[flat] seis + <0.096 second silence>
61			FFLTB:SFLTA7	[flat] siete + <0.096 second silence>
62			FFLTB:SFLTA8	[flat] ocho + <0.096 second silence>
63			FFLTB:SFLTA9	[flat] nueve + <0.096 second silence>
Note 1: Duration time is in seconds.				
—end—				

Voice file name SCLS20CP

The following tables list the phrase IDs and content (silences, phrases or tones). This voice file is equivalent to DRAM card NT1X76CP.

SCLS20CP Spanish voice file contents for virtual card 0

Phrase ID	Total duration	Duration	Phrase Name	Content
4			SLESPA170-0 LISTDEL_SPA-01-01	Marque el numero que quiere borrar, y luego marque el asterisco [*] de nuevo. Para borrar todos los numeros privados, marque “cero-ocho” [0-8], y luego marque el asterisco [*] de nuevo: para borrar sodo los privados, marque “cero–nueve” [0-9] y luego marque el asterisco [*] de nuevo: para escuchar estas instrucciones de nuevo, marque “cero” [0]. Por favor margue ahora.
5			SLESPA139-0 INITSERV_SPA-01-01	Si usted no desea recibir llmadas de la ultima persona que lo llamo, marque el signo de numero [#], marque “cero–uno” [0–1]. Y luego el signo de numero [#] de nuevo.
Note 1: Duration time is in seconds.				
—end—				

SCLS20CP Spanish voice file contents for virtual card 1

Phrase ID	Total duration	Duration	Phrase Name	Content
4			SLESPA144-0 LISTEDIT_SPA-01-02	Para desactivar este servicio, marque "tres" [3]: para añadir un número, marque "uno-dos" [1-2]: para borrar uno o más números, marque "uno-uno" [1-1]: para escuchar los números en su lista, marque "uno" [1]: para escuchar estas instrucciones de nuevo, marque "cero" [0]. Por favor marque ahora.
5			SLESPA168-0 LISTADD_SPA-01-01	Marque el número que quiere [want] añadir y luego el signo de número [#] de nuevo. Para añadir la última persona que lo llamo, marque "cero-uno" [0-1] y luego marque el signo de número [#] de nuevo. Por favor marque ahora.
6			SLESPA004-0 CANCELLED_SPA_SPA-01-02	<prompt tone>
Note 1: Duration time is in seconds.				
—end—				

Voice file name SCLS20CQ

The following tables list the phrase IDs and content (silences, phrases or tones). This voice file is equivalent to DRAM card NT1X76CQ.

SCLS20CQ Spanish voice file contents for virtual card 0

Phrase ID	Total duration	Duration	Phrase Name	Content
4			SLESPA143-0 LISTEDIT_SPA-01-04	Para activar este servicio, marque "tres" [3]: para añadir un numero, marque "uno-dos" [1-2]: para borrar uno o mas numeros, marque "uno-uno" [1-1]: para escuchar los numeros en su lista, marque "uno" [1]: para escuchar estas instrucciones de nuevo, marque "cero" [0]. Por favor marque ahora.
5			SLESPA169-0 LISTADD_SPA-01-02	Marque el numero que quiero añadir a su lista. Para añadir la ultima persona que lo llama, marque "cero-uno" [0-1]. Por favor marque ahora.
6			SLESPA108-0 NOLASTDN_SPA	Lo sentimos: el numero de la ultima persona que lo llamo no esta disponible.
Note 1: Duration time is in seconds.				
—end—				

SCLS20CQ Spanish voice file contents for virtual card 1

Phrase ID	Total duration	Duration	Phrase Name	Content
4			SLESPA141-0 LISTEDIT_SPA-01-03	Para activar este servicio, marque "tres" [3]: para añadir un numero marque el signo de numero [#]: para borrar uno o mas numeros, marque el asterisco (*): para escuchar los numeros en su lista, marque "uno" [1]: para escuchar estas instrucciones de nuevo, marque "cero" [0]. Por favor marque ahora.
5			SLESPA115-0 ENTERDN_SPA-01-02	Lo sentimos: debe marcar un numero telefonico despues "uno-dos" [1-2] o "uno-uno" [1-1].
6			SLESPA114-0 ENTERDN_SPA-01-01	Lo sentimos: debe marcar un numero telefonico despues de marcar el signo de numero [#] o el asterisco [*].
Note 1: Duration time is in seconds.				
—end—				

Voice file name SCLS20CR

The following tables list the phrase IDs and content (silences, phrases or tones). This voice file is equivalent to DRAM card NT1X76CR.

SCLS20CR Spanish voice file contents for virtual card 0

Phrase ID	Total duration	Duration	Phrase Name	Content
4			SLESPA142-0 LISTEDIT_SPA-01-01	Para desactivar este servicio, marque "tres" [3]; para añadir un numero, marque el signo de numero [#];; para borrar uno o mas numeros, marque el asterisco [*]; para escuchar los numeros en su lista, marque "uno" [1]; para escuchar estas instrucciones de nuevo, marque "cero" [0]. Por favor marque ahora.
5			SLESPA119-0 ERASED_SPA	Usted borró los digitos marcados.
6			SLESPA149-0 INITSERV_SPA-01-02	Para no recibir llamadas de la utlima persona que lo llamo, marque "uno-dos" [1-2], y luego marque "cero-uno" [0-1].
7			SLESPA109-0 INVCMD_SPA	Lo sentimos: los digitos que marco no son una orden valida.
Note 1: Duration time is in seconds.				
—end—				

SCLS20CR Spanish voice file contents for virtual card 1

Phrase ID	Total duration	Duration	Phrase Name	Content
4			SLESPA171-0 LISTDEL_SPA-01-02	Marque el numero que quiere borrar. Para borrar todos los numeros., marque "cero-ocho" [0-8]: para borrar solo los numeros privados, marque "cero-nuevo" [0-9]: para escuchar estas instrucciones de nuevo, marque "cero" [0]. Por favor marque ahora.
5			SLESPA042-0 ABSENT_SPA	El numero que quiere borrar no esta en su lista.
6			SLESPA030-0 RESTARTX_SPA	Por favor comience de nuevo, marque "cero" [0] para instrucciones, o cuelgue.
7			SLESPA094-0 ADDEENTRY_SPA-01-02	Para añadir un numero, marque "uno-dos" [1-2].
8			SLESOA107-0 INVDIGS_SPA	Lo sentimos: el numero que marco es incorrecto.
9			SLESPA096-0 ADDEENTRY_SPA-01-01	Para añadir un numero, por favor marque el signo de numero[#].
Note 1: Duration time is in seconds.				
—end—				

Voice file name SCLS20CS

The following tables list the phrase IDs and content (silences, phrases or tones). This voice file is equivalent to DRAM card NT1X76CS.

SCLS20CS Spanish voice file contents for virtual card 0

Phrase ID	Total duration	Duration	Phrase Name	Content
0			SLEPA002-0 PAUSE1_SPA	<1.024 second silence>
3			SLESPA003-0 NOPREVDN_SPA PAUSE0_SPA	<0.256 second silence>
4			SLESPA106-0 ILLEGAL_SPA	Lo sentimos: el numero que marco no esta disponible con este servicio.
5			SLESPA091-01 FORCEADD_SPA	Para activar este servicio debe añadir un numero a su lista.
6			SLESPA029-0 RESTART_SPA-01-01	Por favor comience de nuevo o marque "cero" [0] para instrucciones.
Note 1: Duration time is in seconds.				
—end—				

SCLS20CS Spanish voice file contents for virtual card 1

Phrase ID	Total duration	Duration	Phrase Name	Content
4			SLESPA146-0 PROGRDN_SPA-01-01	Por favor marque el numero al cual quiere que se remitan sus llamadas y luego marque el signo de numero [#]. Por favor marque ahora.
5			SLESPA147-0 PROGRDN_SPA-01-02	Por favor marque el numero al cual quiere que se remitan sus llamadas. Por favor marque ahora.
Note 1: Duration time is in seconds.				

SCLS20CS Spanish voice file contents for virtual card 1 (continued)

Phrase ID	Total duration	Duration	Phrase Name	Content
6			SLESPA007-0 CONFIRM_SPA-01	Si el numero es(ta?) correcto, marque "uno" [1]. Si el numero no es correcto, marque "cero" [0].
7			SLESPA026-0 CONFIRM_SPA-02	Por favor marque ahora.
Note 1: Duration time is in seconds.				
—end—				

Voice file name SCLS20CT

The following tables list the phrase IDs and content (silences, phrases or tones). This voice file is equivalent to DRAM card NT1X76CT.

SCLS20CT Spanish voice file contents for virtual card 0

Phrase ID	Total duration	Duration	Phrase Name	Content
4			SLESPA001-1 LISTREV_SPA	Despues de escuchar un numero, puede marcar "uno-siete" [0-7] para borrarlo y seguir revisando su lista.
5			SLESPA001-117-1 MANUALS_SPA	Lo sentimos: por favor cuelgue ahora, consulte sus instrucciones escritas, y traie de nuevo mas tarde.
6			SLESPA111-1 SERVINTR_SPA-02	Lo sentimos, este servicio se interrumpió. Por favor cuelgue y traie do nuevo en unosp minutos.
7			SLESPA116-1 FULL_SPA	Lo sentimos: au lista esta llena. Debera borrar un numero antes de añadir otro.
Note 1: Duration time is in seconds.				
—continued—				

SCLS20CT Spanish voice file contents for virtual card 0 (continued)

Phrase ID	Total duration	Duration	Phrase Name	Content
8			SLESPA118-1 INITSLE_SPA	Puede marcar durante este anuncio, para un servicio mas rapido. Duando termine, cuelgue.
9			SLESPA069-1 SPA_PRIVATE-02	Hay tres [3] numeros privados en au lista.
Note 1: Duration time is in seconds.				
—end—				

SCLS20CT Spanish voice file contents for virtual card 1

Phrase ID	Total duration	Duration	Phrase Name	Content
4			FHIRI:SHIRI0	[high-rise] cero + <0.096 second silence>
5			FHIRI:SHIRI1	[high-rise] uno + <0.096 second silence>
6			FHIRI:SHIRI2	[high-rise] dos + <0.096 second silence>
7			FHIRI:SHIRI3	[high-rise] tres + <0.096 second silence>
8			FHIRI:SHIRI4	[high-rise] cuatro + <0.096 second silence>
9			FHIRI:SHIRI5	[high-rise] cinco + <0.096 second silence>
10			FHIRI:SHIRI6	[high-rise] seis + <0.096 second silence>
11			FHIRI:SHIRI7	[high-rise] siete + <0.096 second silence>
12			FHIRI:SHIRI8	[high-rise] ocho + <0.096 second silence>
Note 1: Duration time is in seconds.				
—continued—				

SCLS20CT Spanish voice file contents for virtual card 1 (continued)

Phrase ID	Total duration	Duration	Phrase Name	Content
13			FHIRI:SHIRI9	[high-rise] nueve + <0.096 second silence>
14			FFLTA:SLORI0	[low-rise] cero + <0.096 second silence>
15			FFLTA:SLORI1	[low-rise] uno + <0.096 second silence>
16			FFLTA:SLORI2	[low-rise] dos + <0.096 second silence>
17			FFLTA:SLORI3	[low-rise] tres + <0.096 second silence>
18			FFLTA:SLORI4	[low-rise] cuatro + <0.096 second silence>
19			FFLTA:SLORI5	[low-rise] cinco + <0.096 second silence>
20			FFLTA:SLORI6	[low-rise] seis + <0.096 second silence>
21			FFLTA:SLORI7	[low-rise] siete + <0.096 second silence>
22			FFLTA:SLORI8	[low-rise] ocho + <0.096 second silence>
23			FFLATA:SLORI9	[low-rise] nueve + <0.096 second silence>
24			FWAVE: SWAVE0	[fall-rise] cero + <0.096 second silence>
25			FWAVE: SWAVE1	[fall-rise] uno + <0.096 second silence>
26			FWAVE: SWAVE2	[fall-rise] dos + <0.096 second silence>
27			FWAVE: SWAVE3	[fall-rise] tres + <0.096 second silence>
28			FWAVE: SWAVE4	[fall-rise] cuatro + <0.096 second silence>
Note 1: Duration time is in seconds.				
—continued—				

SCLS20CT Spanish voice file contents for virtual card 1 (continued)

Phrase ID	Total duration	Duration	Phrase Name	Content
29			FWAVE: SWAVE5	[fall- rise] cinco + <0.096 second silence>
30			FWAVE: SWAVE6	[fall-rise] seis + <0.096 second silence>
31			FWAVE: SWAVE7	[fall-rise] siete + <0.096 second silence>
32			FWAVE: SWAVE8	[fall-rise] ocho + <0.096 second silence>
33			FWAVE:SWAVE9	[fall-rise] nueve + <0.096 second silence>
34			FFALL:SFALL0	[falling] cero + <0.096 second silence>
35			FFALL:SFALL1	[falling] uno + <0.096 second silence>
36			FFALL:SFALL2	[falling] dos + <0.096 second silence>
37			FFALL:SFALL3	[falling] tres + <0.096 second silence>
38			FFALL:SFALL4	[falling] cuatro + <0.096 second silence>
39			FFALL:SFALL5	[falling] cinco + <0.096 second silence>
40			FFALL:SFALL6	[falling] seis + <0.096 second silence>
41			FFALL:SFALL7	[falling] siete + <0.096 second silence>
42			FFALL:SFALL8	[falling] ocho + <0.096 second silence>
43			FFALL:SFALL9	[falling] nueve + <0.096 second silence>
44			FLORI:SFLTA0	[flat] cero + <0.096 second silence>
Note 1: Duration time is in seconds.				
—continued—				

SCLS20CT Spanish voice file contents for virtual card 1 (continued)

Phrase ID	Total duration	Duration	Phrase Name	Content
45			FLORI:SFLTA1	[flat] uno + <0.096 second silence>
46			FLORI:SFLTA2	[flat] dos + <0.096 second silence>
47			FLORI:SFLTA3	[flat] tres + <0.096 second silence>
48			FLORI:SFLTA4	[flat] cuatro + <0.096 second silence>
49			FLORI:SFLTA5	[flat] cinco + <0.096 second silence>
50			FLORI:SFLTA6	[flat] seis + <0.096 second silence>
51			FLORI:SFLTA7	[flat] siete + <0.096 second silence>
52			FLORI:SFLTA8	[flat] ocho + <0.096 second silence>
53			FLORI:SFLTA9	[flat] nueve + <0.096 second silence>
54			FFLTB:SFLTA0	[flat] cero + <0.096 second silence>
55			FFLTB:SFLTA1	[flat] uno + <0.096 second silence>
56			FFLTB:SFLTA2	[flat] dos + <0.096 second silence>
57			FFLTB:SFLTA3	[flat] tres + <0.096 second silence>
58			FFLTB:SFLTA4	[flat] cuatro + <0.096 second silence>
59			FFLTB:SFLTA5	[flat] cinco + <0.096 second silence>
60			FFLTB:SFLTA6	[flat] seis + <0.096 second silence>
Note 1: Duration time is in seconds.				
—continued—				

SCLS20CT Spanish voice file contents for virtual card 1 (continued)

Phrase ID	Total duration	Duration	Phrase Name	Content
61			FFLT B:SFLTA7	[flat] siete + <0.096 second silence>
62			FFLT B:SFLTA8	[flat] ocho + <0.096 second silence>
63			FFLT B:SFLTA9	[flat] nueve + <0.096 second silence>
Note 1: Duration time is in seconds.				
—end—				

Voice file name SCLS20CU

The following tables list the phrase IDs and content (silences, phrases or tones). This voice file is equivalent to DRAM card NT1X76CU.

SCLS20CU Spanish voice file contents for virtual card 0

Phrase ID	Total duration	Duration	Phrase Name	Content
4			SLESPA126-1 STATINFO_SPA-01-02	Su servicio de Llamadas en Espera con Timbre Distintivo esta desactivado ahora.
5			SLESPA125-1 STATINFO_SPA-01-01	Su servicio de Llamadas en Espera con Timbre Distintivo esta activado ahora.
6			SLESPA128-1 STATINFO_SPA-01-06	Su servicio de Remitir Llamadas Seleccionadas esta desactivado ahora.
7			SLESPA085-1 ENDOFLIST_SPA-01-01	Este es el fin de su lista. Su lista esta vacia ahora.
Note 1: Duration time is in seconds.				
—continued—				

SCLS20CU Spanish voice file contents for virtual card 0 (continued)

Phrase ID	Total duration	Duration	Phrase Name	Content
8			SLESPA031-1 OTHEROPT_SPA	Por favor trate otras opciones, o marque "cero" [0] para instrucciones.
9			SLESPA105-1 VALFAIL_SPA	Los sentimos: trate de añadir el numero de nuevo en unos minutos.
10			SLESPA015-1 SPA_INCLUDE-07	Incluyendo ocho [8] privados.
11			SLESPA080-1 ALLDEL_SPA, ALLWARN_SPA	No hay mas numeros en su lista.
12			SLESPA057-1 SPA_PUBLIC-02	Hay tres [3] numeros en su liste.
Note 1: Duration time is in seconds.				
—end—				

SCLS20CU Spanish voice file contents for virtual card 1

Phrase ID	Total duration	Duration	Phrase Name	Content
4			SLESPA127-1 STATINFO_SPA-01-05	Su servicio de Remitir Llamadas Seleccionadas esta activado ahora.
5			SLESPA130-1 STATINFO_SPA-01-08	Su servicio de Seleccionar Llamadas esta desactivado ahora.
6			SLESPA025-1 CONTEXIT_SPA-01-01, CONTINUE_SPA	Por favor continúe, marque "cero" [0] para instrucciones, o cuelgue.
7			SLESPA129-1 STATINFO_SPA-01-07	Su servicio de Seleccionar Llamadas esta activado ahora.
Note 1: Duration time is in seconds.				
—continued—				

SCLS20CU Spanish voice file contents for virtual card 1 (continued)

Phrase ID	Total duration	Duration	Phrase Name	Content
8			SLE0SPA121-1 STATINFO_SPA-01-03	Su servicio de Bloquear Llamadas esta activado ahora.
9			SLESPA122-1 STATINFO_SPA-01-04	Su servicio de Bloquear Llamadas esta desactivado ahora.
10			SLESPA034-1 PRIVPRES_SPA	Este numero ya esta grabado en su lista como uno privado.
11			SLESPA041-1 DELPRIV_SPA, PRIVDNWARN_SPA	El numero quo usted borró es uno privado.
12			SLESPA072-1 SPA_PRIVATE-05	Hay seis [6] numeros privados en su lista.
13			SLESPA078-1 SPA_PRIVATE-11	Hay doce numeros privados en su lista.
Note 1: Duration time is in seconds.				
—end—				

Voice file name SCLS20CV

The following tables list the phrase IDs and content (silences, phrases or tones). This voice file is equivalent to DRAM card NT1X76CV.

SCLS20CV Spanish voice file contents for virtual card 0

Phrase ID	Total duration	Duration	Phrase Name	Content
4			SLESPA075-1 SPA_PRIVATE-08	Hay nueve [9] numeros privados en su lista.
5			SLESPA086-1 PRESENT_SPA-01-02	Este numero ya esta grabado en su lista:
Note 1: Duration time is in seconds.				
—continued—				

SCLS20CV Spanish voice file contents for virtual card 0 (continued)

Phrase ID	Total duration	Duration	Phrase Name	Content
6			SLESPA074-1 SPA_PRIVATE-07	Hay ocho [8] numeros privados en su lista.
7			SLESPA071-1 SPA_PRIVATE-04	Hay cinco [5] numeros privados en su lista.
8			SLESPA077-1 SPA_PRIVATE-10	Hay once [11] numeros privados en su lista.
9			SLESPA076-1 SPA_PRIVATE-09	Hay diez [10] numeros privados en su lista.
10			SLESPA070-1 SPA_PRIVATE-03	Hay cuatro [4] numeros privados en su lista
11			SLESPA082-1 FIRSTDN_SPA-01-02	El primer numero en su lista es;;
12			SLESPA081-1 NOPRIV_SPA, PRIVDEL_SPA, PRIVWARN_SPA	No hay mas numeros privados en su lista.
13			SLESPA073-1 SPA_PRIVATE-06	Hay siete [7] numeros privados en su lista.
14			SLESPA068-1 SPA_PRIVATE-01	Hay dos [2] numeros privados en su lista.
15			SLESPA067-1 SPA_PRIVATE-00	Hay un [1] numero privado en su lista.
16			SLESPA053-1 SPA_PUB_AND_PRIV-09	Hay diez [10] numeros en su lista.
17			SLESPA056-1 SPA_PUBLIC-01	Hay dos [2] numeros en su lista.
18			SLESPA045-1 SPA_PUB_AND_PRIV-01	Hay dos [2] numeros en su lista.
Note 1: Duration time is in seconds.				
—end—				

SCLS20CV Spanish voice file contents for virtual card 1

Phrase ID	Total duration	Duration	Phrase Name	Content
4			SLESA039-1 DELETED_SPA-01-02, PUBDNWARN_WPA-01-02	El numero que usted borró es:
5			SLESPA038-1 ADDPRIV_SPA	El numero que añadió es privado.
6			SLESPA036-1 ADDED_SPA-01-02	El numero que añadió es:
7			SLESPA060-1 SPA_PUBLIC-05	Hay seis [6] numeros en su lista.
8			SLESPA065-1 SPA_PUBLIC-10	Hay once [11] numeros en su lista.
9			SLESPA062-1 SPA_PUBLIC-07	Hay ocho [8] numeros en su lista.
10			SLESPA049-1 SPA_PUB_AND_PRIV-05	Hay seis [6] numeros en su lista.
11			SLESPA051-1 SPA_PUB_AND_PRIV-07	Hay ocho [8] numeros en su lista.
12			SLESPA058-1 SPA_PUBLIC-03	Hay cuatro [4] numeros en su lista.
13			SLESPA054-1 SPA_PUB_AND_PRIV-10	Hay once [11] numeros en su lista.
14			SLESPA052-1 SPA_PUB_AND_PRIV-08	Hay nueve [9] numeros en su lista.
15			SLESPA048-1 SPA_PUB_AND_PRIV-04	Hay cinco [5] numeros en su lista.
16			SLESPA0101-1 SPA_INCLUDE-02	Incluyendo tres [3] privados.
17			SLESPA011 SPA_INCLUDE-03	Incluyendo cuatro [4] privados.
18			SLESPA018-1 SPA_INCLUDE-10	Incluyendo once [11] privados.
19			SLESPA021-1 NEXTDN_SPA-01-02	El siguiente:
Note 1: Duration time is in seconds.				
—continued—				

SCLS20CV Spanish voice file contents for virtual card 1 (continued)

Phrase ID	Total duration	Duration	Phrase Name	Content
20			SLESPA061-1 SPA_PUBLIC-06	Hay siete [7] numeros en su lista.
21			SLESPA079-1 LISTINFO_SPA-01-01	No hay numeros en su lista.
Note 1: Duration time is in seconds.				
—end—				

Voice file name SCLS20CW

The following tables list the phrase IDs and content (silences, phrases or tones). This voice file is equivalent to DRAM card NT1X76CW.

SCLS20CW Spanish voice file contents for virtual card 0

Phrase ID	Total duration	Duration	Phrase Name	Content
0			SLESPA002-1 PAUSE1_SPA	<1.024 second silence>
3			SLESPA110-1 SERVINTR_SPA-01	<0.256 second silence>
3			SLESPA003-1 NOPREVDN_SPA, PAUSE0_SPA	<0.256 second silence>
4			SLESPA050-1 SPA_PUB_AND_PRIV-06	Hay siete [7] numeros en su lista.
5			SLESPA047-1 SPA_PUB_AND_PRIV-03	Hay cuatro [4] numeros en su lista.
6			SLESPA063-1 SPA_PUBLIC-08	Hay nueve [9] numeros en su lista.
7			SLESPA059-1 SPA_PUBLIC-04	Hay cinco [5] numeros en su lista.
Note 1: Duration time is in seconds.				
—continued—				

SCLS20CW Spanish voice file contents for virtual card 0 (continued)

Phrase ID	Total duration	Duration	Phrase Name	Content
8			SLESPA013-1 SPA_INCLUDE-05	Incluyendo seis [6] privados.
9			SLESPA014-1 SPA_INCLUDE-06	Incluyendo siete [7] privados.
10			SLESPA016-1 SPA_INCLUDE-08	Incluyendo nueve [9] privados.
11			SLESPA066-1 SPA_PUBLIC-11	Hay doce [12] numeros privados en su lista.
12			SLESPA055-1 SPA_PUB_AND_PRIV-11	Hay doce [12] numeros privados en su lista.
13			SLESPA017-1 SPA_INCLUDE-09	Incluyendo diez [10] privados.
14			SLESPA012-1 SPA_INCLUDE-04	Incluyendo cinco [5] privados.
15			SLESPA064-1 SPA_PUBLIC-09	Hay diez [10] numeros privados en su lista.
16			SLESPA043-1 SPA_PUB_AND_PRIV-00	Hay un [1] numero privados en su lista.
17			SLESPA046-1 SPA_PUB_AND_PRIV-02	Hay tres [3] numeros privados en su lista.
18			SLESPA008-1 SPA_INCLUDE-00	Incluyendo uno [1] numero privado.
19			SLESPA009-1 SPA_INCLUDE-01	Incluyendo dos [2] privados.
20			SLESPA084-1 ENDOFLIST_SPA-01-02	Este es el fin de su lista.
21			SLESPA044-1 SPA_PUBLIC-00	Hay un [1] numero en su lista.
Note 1: Duration time is in seconds.				
—continued—				

SCLS20CW Spanish voice file contents for virtual card 0 (continued)

Phrase ID	Total duration	Duration	Phrase Name	Content
22			SLESPA032-1 CURRDN_SPA-01-02	Repidiendo:
23			SLESPA004-1 CANCELLED_SPA-01-01	<prompt tone>
Note 1: Duration time is in seconds.				
—end—				

SCLS20CW Spanish voice file contents for virtual card 1

Phrase ID	Total duration	Duration	Phrase Name	Content
4			SLESPA035-1 DIALED_SPA	El numero que marco.
5			SLESPA087-1 PRESENT_SPA-01-01	Este numero ya esta grabado en su lista: extension:
6			SLESPA083-1 FIRSTADN_SPA-01-01	El primer numero en su lista es: la extension:
7			SLESPA040-1 DELETED_SPA-01-01	El numero que usted borró es: la extension:
8			SLESPA037-1 ADDED_SPA-01-01, PUBDNWARN_SPA-01-01	El numero que añadió es: la extension:
9			SLESPA033-1 CURRDN_SPA-01-01, PREVDN-01-01	Repidiendo, extension:
10			SLESPA022-1 NEXTDN_SPA-01-01	El siguiente: extension:
11			SLESPA020-1 NOTPERM_SPA	no esta permitido.
12			SLESPA024 CONTINUE_SPA	Por favor continúe o marque "cero" [0] par instrucciones.
Note 1: Duration time is in seconds.				
—continued—				

SCLS20CW Spanish voice file contents for virtual card 1 (continued)

Phrase ID	Total duration	Duration	Phrase Name	Content
13			SLESPA110 EMPTY_SPA	Lo sentimos, no hay numeros telefonicos en su lista.
14			SLESPA120 REMDN_SPA-01	Sus llamadas se remitiran a:
Note 1: Duration time is in seconds.				
—end—				

Appendix B

IDC EDRAM voice file contents

This voice file package was created for International Digital Communications (IDC). To order the software and inquire about recording announcements, contact Nortel Networks.

This appendix contains tables of enhanced digital recorded announcement machine (EDRAM) voice file contents (silences, phrases and tones) for IDC. The voice file phrase contents are IDC examples. The EDRAM voice files are available with the NT1X80AA and the NT1X80BA EDRAM cards.

Enter the EDRAM voice file name in table EDRAMINV. Refer to the data schema section of the *Translations Guide*.

This appendix contains the following announcements:

- English
- Japanese
- Korean
- Malay
- Mandarin
- Portuguese
- Spanish
- Tagalog
- Thai

English announcements

This section consists of the following voice file names:

- jpatc0da
- jpatc0db
- jpatc0dc
- jpatc0dd

Voice file name JPATC0DA

The following tables list the phrase IDs and content (silences, phrases or tones).

JPATC0DA voice file contents for virtual card 0

Phrase ID	Total duration	Duration	Phrase name	Content
4	4.25		eid1	This is IDC. The international call you have just made was
5	4.06		eid14	This is IDC. The international call you have just made
6	3.29		eid13	Thank you for using IDC. This is a recording.
7	1.44		eid8	long and cost
8	0.89		eid35	nineteen
9	0.87		eid33	seventeen
10	0.85		eid31	fifteen
11	0.83		eid30	fourteen
12	0.81		eid32	sixteen
13	0.8		eid34	eighteen
14	0.77		eid29	thirteen
15	0.75		eid41	seventy
16	0.73		eid43	ninty
17	0.68		eid4	seconds
18	0.67		eid27	eleven
Note 1: Duration time is in seconds.				
—continued—				

JPATC0DA voice file contents for virtual card 0 (continued)

Phrase ID	Total duration	Duration	Phrase name	Content
19	0.67		eid45	thousand
20	0.67		eid10	Repeat
21	0.67		eid40	sixty
22	0.61		eid42	eighty
23	0.6		eid16	zero
24	0.59		eid12	the number
25	0.59		eid2	hours
26	0.59		eid7	second
27	0.58		eid3	minutes
28	0.57		eid46	million
29	0.56		eid36	twenty
30	0.56		eid38	forty
31	0.56		eid39	fifty
32	0.56		eid44	hundred
33	0.56		eid25	nine
34	0.39		eid11	to
35	0.48		eid22	six

Note 1: Duration time is in seconds.

—end—

JPATC0DA voice file contents for virtual card 1

Phrase ID	Total duration	Duration	Phrase Name	Content
4	0.47		eid6	minute
5	0.44		eid26	ten

Note 1: Duration time is in seconds.

—continued—

JPATC0DA voice file contents for virtual card 1 (continued)

Phrase ID	Total duration	Duration	Phrase Name	Content
6	0.42		eid19	three
7	0.37		eid9	yen
8	0.36		eid18	tow
9	0.35		eid24	eight
10	0.49		eid37	thirty
11	0.48		eid17	one
12	0.46		eid5	hour
13	0.52		eid20	four
14	0.52		eid21	five
15	0.52		eid23	seven
16	0.49		eid15	was
17	0.54		eid28	twelve
18	2.11		elocid66	St. Vincent and the Grenadines
19	2.04		elocid67	St. Christopher and Nevis
20	1.86		elocid138	Bosnia and Herzegovina
21	1.85		elocid69	Turks and Caicos Islands
22	1.77		elocid41	The United States of America
23	1.75		elocid46	Antigua and Barbuda
24	1.71		elocid48	American Virgin Islands
25	1.67		elocid2	United Arab Emirates
26	1.6		elocid47	British Virgin Islands
27	1.6		elocid63	St.Pierre and Miquelon
28	1.5		elocid53	Netherlands Antilles
29	1.46		elocid73	Trinidad and Tobago
30	1.29		elocid72	Dominica Republic
31	1.29		elocid95	Azores Islands
Note 1: Duration time is in seconds.				
—continued—				

JPATC0DA voice file contents for virtual card 1 (continued)

Phrase ID	Total duration	Duration	Phrase Name	Content
32	0.41		elocid56	Cuba
33	1.06		elocid103	Uzbekistan
Note 1: Duration time is in seconds.				
—end—				

Voice file name JPATC0DB

The following tables list the phrase IDs and content (silences, phrases or tones).

JPATC0DB voice file contents for virtual card 2

Phrase ID	Total duration	Duration	Phrase Name	Content
4	1.28		elocid82	Falkland Islands
5	1.19		elocid146	Russian Federation
6	1.16		elocid99	United Kingdom
7	1.14		elocid147	American Samoa
8	1.14		elocid60	Cayman Islands
9	1.12		elocid127	Faroels Islands
10	1.08		elocid94	Azerbaijan
11	0.99		elocid149	Wake Island
12	0.98		elocid123	Turkmenistan
13	0.98		elocid29	East Timor
14	0.97		elocid119	Tadzhikistan
15	0.95		elocid143	Liechtenstein
16	0.95		elocid84	French Guiana
17	0.95		elocid91	Montserrat
Note 1: Duration time is in seconds.				
—continued—				

JPATC0DB voice file contents for virtual card 2 (continued)

Phrase ID	Total duration	Duration	Phrase Name	Content
18	0.94		elocid52	El Salvador
19	0.93		elocid1	Afghanistan
20	0.9		elocid17	Saudi Arabia
21	0.88		elocid30	Philippines
22	0.87		elocid112	San Marino
23	0.87		elocid140	Yugoslavia
24	0.87		elocid150	Australia
25	0.85		elocid107	Kazakhstan
26	0.85		elocid145	Luxemburg
27	0.84		elocid37	Maldives
28	0.83		elocid68	St.Lucia
29	0.81		elocid118	Slovenia
30	0.81		elocid139	Macedonia
31	0.8		elocid43	Argentina
32	0.8		elocid89	Martinique
33	0.79		elocid80	Barbados
34	0.78		elocid22	Thailand
35	0.78		elocid142	Lithuania
36	0.78		elocid148	Vanuatu
37	0.54		elocid14	Korea (Demo.People's Rep.of)
Note 1: Duration time is in seconds.				
—end—				

JPATC0DB voice file contents for virtual card 3

Phrase ID	Total duration	Duration	Phrase Name	Content
4	0.79		elocid92	Iceland
5	0.78		elocid61	Costa Rica

JPATC0DB voice file contents for virtual card 3 (continued)

Phrase ID	Total duration	Duration	Phrase Name	Content
6	0.78		elocid81	Puerto Rico
7	0.77		elocid109	Greenland
8	0.75		elocid26	Pakistan
9	0.74		elocid106	Netherlands
10	0.74		elocid151	Kiribati
11	0.74		elocid58	Guadeloupe
12	0.73		elocid113	Gibraltar
13	0.73		elocid114	Switzerland
14	0.73		elocid28	Bangladesh
15	0.73		elocid49	Venezuela
16	0.73		elocid8	Indonesia
17	0.72		elocid104	Estonia
18	0.72		elocid117	Slovak
19	0.72		elocid13	Cambodia
20	0.72		elocid38	Mongolia
21	0.72		elocid88	Honduras
22	0.71		elocid130	Bulgaria
23	0.71		elocid51	Ecuador
24	0.71		elocid85	Belize
25	0.7		elocid65	Suriname
26	0.69		elocid27	Bharain
27	0.69		elocid77	Bahamas
28	0.69		elocid96	Albania
29	0.69		elocid97	Armenia
30	0.68		elocid111	Croatia
31	0.68		elocid21	Sri Lanka
Note 1: Duration time is in seconds.				
—continued—				

JPATC0DB voice file contents for virtual card 3 (continued)

Phrase ID	Total duration	Duration	Phrase Name	Content
32	0.68		elocid74	Nicaragua
33	0.67		elocid23	Taiwan
34	0.67		elocid33	Hong Kong
35	0.67		elocid57	Guatemala
36	0.66		elocid105	Austria
37	0.66		elocid121	Denmark
38	0.66		elocid144	Romania
39	0.66		elocid42	Alaska
40	0.66		elocid71	Dominica
41	0.66		elocid93	Ireland
42	0.65		elocid131	Belarus
43	0.65		elocid141	Latvia
44	0.65		elocid36	Myanmar
45	0.65		elocid79	Paraguay
46	0.64		elocid102	Ukraine
47	0.64		elocid136	Monaco
48	0.58		elocid101	Vatican

Note 1: Duration time is in seconds.

—end—

Voice file name JPATC0DC

The following tables list the phrase IDs and content (silences, phrases or tones).

JPATC0DC voice file contents for virtual card 4

Phrase ID	Total duration	Duration	Phrase Name	Content
4	0.64		elocid137	Moldova
5	0.64		elocid9	Vietnam

JPATC0DC voice file contents for virtual card 4 (continued)

Phrase ID	Total duration	Duration	Phrase Name	Content
6	0.64		elocid90	Mexico
7	0.63		elocid125	Norway
8	0.63		elocid20	Singapore
9	0.63		elocid50	Uruguay
10	0.62		elocid10	Oman
11	0.62		elocid128	Finland
12	0.62		elocid35	Malaysia
13	0.62		elocid40	Lebanon
14	0.62		elocid45	Anguilla
15	0.62		elocid98	Andorra
16	0.61		elocid4	Israel
17	0.61		elocid62	Colombia
18	0.6		elocid31	Bhutan
19	0.6		elocid54	Guyana
20	0.59		elocid126	Hungary
21	0.59		elocid134	Portugal
22	0.59		elocid18	Jordan
23	0.59		elocid5	Iraq
24	0.59		elocid64	Jamaica
25	0.58		elocid15	Kuwait
26	0.58		elocid34	Macao
27	0.57		elocid76	Panama
28	0.57		elocid87	Bolivia
29	0.56		elocid11	Qatar
30	0.56		elocid116	Spain
31	0.56		elocid133	Poland
Note 1: Duration time is in seconds.				
—continued—				

JPATC0DC voice file contents for virtual card 4 (continued)

Phrase ID	Total duration	Duration	Phrase Name	Content
32	0.56		elocid32	Brunei
33	0.56		elocid44	Aruba
34	0.56		elocid59	Grenada
35	0.56		elocid78	Bernuda
36	0.55		elocid12	Korea (Rep. of)
37	0.54		elocid16	Cyprus
38	0.54		elocid25	Nepal
39	0.52		elocid122	Germany
40	0.52		elocid6	Iran
41	0.52		elocid7	India
42	0.52		elocid75	Haiti
43	0.52		elocid83	Brazil
44	0.5		elocid124	Turkey
45	0.5		elocid135	Malta
46	0.5		elocid39	Laos
47	0.49		elocid132	Belgium
48	0.49		elocid55	Canada
49	0.48		elocid115	Sweden
50	0.48		elocid86	Peru
51	0.47		elocid19	Syria
52	0.47		elocid24	China
53	0.47		elocid3	Yemen
54	0.46		elocid152	Guam
55	0.45		elocid100	Italy
56	0.45		elocid108	Greece
57	0.45		elocid110	Georgia
Note 1: Duration time is in seconds.				
—continued—				

JPATC0DC voice file contents for virtual card 4 (continued)

Phrase ID	Total duration	Duration	Phrase Name	Content
58	0.45		elocid129	France
59	0.42		elocid70	Chile
60	0.38		elocid120	Czech
Note 1: Duration time is in seconds.				
—end—				

JPATC0D voice file contents for virtual card 5

Phrase ID	Total duration	Duration	Phrase Name	Content
4	1.77		elocid194	SaoTome and Principe
5	1.53		elocid155	Cocos Keeling Islands
6	1.4		elocid200	Spanish North Africa
7	1.33		elocid157	Solomon Islands
8	1.29		elocid203	Equatorial Guinea
9	1.23		elocid183	Canary Islands
10	1.19		elocid165	Norfolk Island
11	1.13		elocid154	Christmas Island
12	1.11		elocid166	Papua New Guinea
13	1.11		elocid170	French Polynesia
14	1.11		elocid216	Burkina Faso
15	1.1		elocid171	Marshall Islands
16	1.05		elocid153	Cook Islands
17	1.05		elocid196	Sierra Leone
18	1.05		elocid215	Western Sahara
19	1.04		elocid215	Central Africa
Note 1: Duration time is in seconds.				
—continued—				

JPATC0D voice file contents for virtual card 5 (continued)

Phrase ID	Total duration	Duration	Phrase Name	Content
20	1.01		elocid162	Western Samoa
21	0.98		elocid163	New Caledonia
22	0.97		elocid190	Cote d'Ivoire
23	0.94		elocid224	South Africa
24	0.93		elocid188	Guinea Bissau
25	0.93		elocid236	U. A. E.
26	0.89		elocid201	Swaziland
27	0.88		elocid182	Cape Verde
28	0.86		elocid220	Madagascar
29	0.85		elocid172	Micronesia
30	0.85		elocid234	U. S. A.
31	0.84		elocid226	Mauritania
32	0.57		elocid168	Hawaii
33	0.41		elocid181	Ghana

Note 1: Duration time is in seconds.

—end—

Voice file name JPATC0DD

The following tables list the phrase IDs and content (silences, phrases or tones).

JPATC0DD voice file contents for virtual card 6

Phrase ID	Total duration	Duration	Phrase Name	Content
4	0.81		elocid205	St. Helena
5	0.78		elocid198	Zimbabwe

Note 1: Duration time is in seconds.

—continued—

JPATC0DD voice file contents for virtual card 6 (continued)

Phrase ID	Total duration	Duration	Phrase Name	Content
6	0.78		elocid212	Nigeria
7	0.77		elocid197	Djibouti
8	0.76		elocid175	Algeria
9	0.76		elocid180	Eritrea
10	0.76		elocid225	Mauritius
11	0.75		elocid179	Ethiopia
12	0.75		elocid230	Liberia
13	0.75		elocid233	Reunion
14	0.73		elocid207	Tanzania
15	0.73		elocid217	Burundi
16	0.72		elocid174	Ascension
17	0.72		elocid185	Cameroon
18	0.71		elocid219	Botswana
19	0.71		elocid235	U. K.
20	0.69		elocid156	Saipan
21	0.69		elocid213	Namibia
22	0.67		elocid222	Malawi
23	0.66		elocid161	Niue
24	0.66		elocid210	Tunisia
25	0.66		elocid231	Rwanda
26	0.65		elocid160	Nauru
27	0.65		elocid191	Comoros
28	0.65		elocid228	Morocco
29	0.65		elocid232	Lesotho
30	0.64		elocid204	Senegal
31	0.63		elocid158	Tuvalu
Note 1: Duration time is in seconds.				
—continued—				

JPATC0DD voice file contents for virtual card 6 (continued)

Phrase ID	Total duration	Duration	Phrase Name	Content
32	0.63		elocid206	Somalia
33	0.63		elocid218	Benin
34	0.62		elocid176	Angola
35	0.61		elocid177	Uganda
36	0.61		elocid199	Sudan
37	0.59		elocid193	Zaire
38	0.58		elocid167	Palau
39	0.58		elocid221	Madeira
40	0.57		elocid173	Midway
41	0.57		elocid178	Egypt
42	0.56		elocid186	Gambia
43	0.55		elocid184	Gabon
44	0.52		elocid169	Fiji
45	0.45		elocid159	Tonga
46	0.52		elocid195	Zambia
47	0.52		elocid214	Niger
48	0.48		elocid223	Mali
49	0.43		elocid187	Guinea
50	0.51		elocid192	Congo
51	0.5		elocid229	Libya
52	0.48		elocid189	Kenya
Note 1: Duration time is in seconds.				
—end—				

JPATC0DD voice file contents for virtual card 7

Phrase ID	Total duration	Duration	Phrase Name	Content
4	0.48		elocid208	Chad
5	0.82		elocid164	New Zealand
6	0.51		elocid211	Togo
7	0.84		elocid227	Mozambique
8	0.82		elocid202	Sychelles
Note 1: Duration time is in seconds.				
—end—				

Japanese announcements

This section consists of the following voice file names:

- jpatc0ea
- jpatc0eb
- jpatc0ec
- jpatc0ed

Voice file name JPATC0EA

The following tables list the phrase IDs and content (silences, phrases or tones).

JPATC0EA Japanese voice file contents for virtual card 8

Phrase ID	Total duration	Duration	Phrase Name	Content
4	4.16		jid1	kochirawa jiddesu. tadaimagoriyouno kokusaidenwano ryoukinwa
5	2.8		jid10	zerozerorokuni goriyou arigatougozaimashita
6	0.98		jid95	sann_jyuu_byou
7	0.95		jid96	yonn_jyuu_byou
8	0.9		jid91	yonn_jyup_punn
9	0.89		jid90	sann_jyup_punn
10	0.87		jid94	ni_jyuu_byou
11	0.85		jid97	go_jyuu_byou
12	0.84		jid60	hap_pyaku
13	0.83		jid89	ni_jyup_punn
14	0.82		jid113	nana_jikan
15	0.82		jid114	hachi_jikan
16	0.82		jid92	go_jyup_punn
17	0.81		jid33	jyuu nana
18	0.81		jid52	rop_pyaku
19	0.8		jid107	ichi_jikan
Note 1: Duration time is in seconds.				
—continued—				

JPATC0EA Japanese voice file contents for virtual card 8 (continued)

Phrase ID	Total duration	Duration	Phrase Name	Content
20	0.8		jid34	jyuu hachi
21	0.8		jid44	kyuu jyuu
22	0.79		jid109	sann_jikan
23	0.79		jid119	sann_byou
24	0.78		jid112	roku_jikan
25	0.77		jid42	nana jyuu
26	0.76		jid126	yen deshita
27	0.75		jid32	jyuu roku
28	0.75		jid26	jyuu ichi
29	0.75		jid35	jyuu kyuu
30	0.75		jid43	hachi jyuu
31	0.75		jid57	yon_hyaku
32	0.74		jid41	roku jyuu
33	0.74		jid53	ip_punn
34	0.74		jid59	nana_hyaku
35	0.72		jid61	kyuu_hyaku
36	0.26		jid7	yen
Note 1: Duration time is in seconds.				
—end—				

JPATC0EA Japanese voice file contents for virtual card 9

Phrase ID	Total duration	Duration	Phrase Name	Content
4	0.73		jid124	hachi_byou
5	0.73		jid39	yon jyuu
Note 1: Duration time is in seconds.				
—continued—				

JPATC0EA Japanese voice file contents for virtual card 9 (continued)

Phrase ID	Total duration	Duration	Phrase Name	Content
6	0.73		jid86	hachi_yen
7	0.72		jid77	hachi_mann
8	0.72		jid85	nana_yen
9	0.71		jid101	yonn_punn
10	0.71		jid115	ku_jikan
11	0.71		jid28	jyuu sann
13	0.71		jid67	nana_senn
13	0.71		jid81	sann_yen
14	0.71		jid87	kyuu_yen
15	0.71		jid88	jyup_punn
16	0.7		jid100	sann_punn
17	0.7		jid110	yo_jikan
18	0.7		jid120	yonn_byou
19	0.7		jid123	nana_byou
20	0.7		jid125	kyuu_byou
21	0.7		jid127	byou de
22	0.7		jid29	jyuu yonn
23	0.7		jid84	roku_yen
24	0.69		jid103	rop_punn
25	0.69		jid38	sann jyuu
26	0.69		jid50	is_senn
27	0.69		jid54	hyaku_mann
28	0.69		jid56	sann_byaku
29	0.68		jid106	kyuu_funn
30	0.68		jid117	ichi_byou
31	0.68		jid122	roku_byou
Note 1: Duration time is in seconds.				
—continued—				

JPATC0EA Japanese voice file contents for virtual card 9 (continued)

Phrase ID	Total duration	Duration	Phrase Name	Content
32	0.68		jid30	jyuu yo
33	0.68		jid36	jyuu ku
34	0.68		jid69	kyuu_senn
35	0.67		jid111	go_jikan
36	0.67		jid75	roku_mann
37	0.66		jid73	yonn_mann
38	0.66		jid76	nana_mann
39	0.66		jid79	ichi_yen
40	0.65		jid104	nana_funn
41	0.65		jid105	hap_punn
42	0.65		jid108	ni_jikan
43	0.65		jid93	jyuu_byou
44	0.65		jid98	zero_funn
45	0.64		jid116	zero_byou
46	0.64		jid58	go_hyaku
47	0.64		jid63	go_hyaku
48	0.64		jid64	yonn_senn
49	0.54		jid37	ni jyuu
Note 1: Duration time is in seconds.				
—end—				

Voice file name JPATC0EB

The following tables list the phrase IDs and content (silences, phrases or tones).

JPATC0EB Japanese voice file contents for virtual card 10

Phrase ID	Total duration	Duration	Phrase Name	Content
4	0.64		jid68	has_senn
5	0.63		jid31	jyuu go
6	0.63		jid55	ni_hyaku
7	0.63		jid66	roku_senn
8	0.64		jid72	sann_mann
9	0.63		jid78	kyuu_mann
10	0.61		jid70	ichi_mann
11	0.60		jid27	jyuu ni
12	0.56		jid118	ni_byou
13	0.56		jid40	go jyuu
14	0.56		jid80	ni_yen
15	0.54		jid82	yo_yen
16	0.53		jid121	go_byou
17	0.52		jid62	ni_senn
18	0.49		jid99	ni_funn
19	0.48		jid102	go_funn
20	0.48		jid46	pyaku
21	0.47		jid45	hyaku
22	0.47		jid65	go_senn
23	0.47		jid83	go_yen
24	0.46		jid2	jikan (hour)
25	0.46		jid71	ni_mann
26	0.46		jid74	go_mann
Note 1: Duration time is in seconds.				
—continued—				

JPATC0EB Japanese voice file contents for virtual card 10 (continued)

Phrase ID	Total duration	Duration	Phrase Name	Content
27	0.46		jid8	deshita
28	0.45		jid18	roku
29	0.45		jid19	nana
30	0.45		jid20	nana
31	0.42		jid12	ichi
32	0.41		jid47	byaku
33	0.40		jid9	ate
34	0.39		jid11	zero
35	0.39		jid22	kyuu
36	0.38		jid15	yonn
37	0.37		jid51	mann
38	0.36		jid24	jyuu
39	0.36		jid3	funn (minute)
40	0.36		jid48	senn
41	0.35		jid14	sann
42	0/35		jid49	zenn
43	0.35		jid5	byou (second)
44	0.30		jid16	yo
45	0.29		jid13	ni
46	0.29		jid4	punn (minute)
47	0.28		jid25	jyutt
48	0.27		jid23	ku
49	0.24		jid17	go
50	0.23		jid6	de
51	0.18		jid21	hatt
52	1.16		jlucid66	sennto•uinnsennto/gurenadiinnshotou
Note 1: Duration time is in seconds.				
—continued—				

JPATC0EB Japanese voice file contents for virtual card 10 (continued)

Phrase ID	Total duration	Duration	Phrase Name	Content
53	2.61		jlocid67	sennto•kurisutofaa•neiuiisu
54	1.81		jlocid47	baajinnshotou (eiryou)
55	1.81		jlocid48	baajinnshotou (beiryoy)
56	1.89		jlocid46	anntiga•baabuuda
57	0.30		jlocid22	tai
58	0.96		jlocid29	higashitimouru
Note 1: Duration time is in seconds.				
—end—				

JPATC0EB Japanese voice file contents for virtual card 11

Phrase ID	Total duration	Duration	Phrase Name	Content
4			jlocid69	taikosu oyobi kaikosu shotou
5			jlocid63	taikosu oyobi kaikosu shotou
6			jlocid2	arabushouchoukokurenpu
7			jlocid53	orandaryouanantiiru
8			jlocid60	keimannshotou
9			jlocid52	eru•sarubadoru
10			jlocid17	saudi•arabia
11			jlocid1	afuganisutann
12			jlocid14	kitachousenn
13			jlocid68	sennto•rushia
14			jlocid43	aruzennchinn
15			jlocid58	gaderuupe
16			jlocid20	shinngapouru
Note 1: Duration time is in seconds.				
—continued—				

JPATC0EB Japanese voice file contents for virtual card 11 (continued)

Phrase ID	Total duration	Duration	Phrase Name	Content
17			jlocid8	indonesia
18			jlocid16	saipurasu
19			jlocid28	bannguradeshu
20			jlocid21	suri•rannka
21			jlocid4	isuraeru
22			jlocid49	benezuera
23			jlocid13	kannbodia
24			jlocid61	kosuta•rika
25			jlocid26	pakisutann
26			jlocid27	bahareen
27			jlocid51	ekuatoru
28			jlocid71	dominika
29			jlocid9	vetonamu
30			jlocid35	mareishia
31			jlocid37	morudibu
32			jlocid41	amerika (Honndo)
33			jlocid54	giana
34			jlocid57	gatemara
35			jlocid11	kataru
36			jlocid12	kannkoku
37			jlocid42	arasuka
38			jlocid64	jamaika
39			jlocid32	burunei
40			jlocid33	honnkonn
41			jlocid62	koronnbia
42			jlocid10	omaann
Note 1: Duration time is in seconds.				
—continued—				

JPATC0EB Japanese voice file contents for virtual card 11 (continued)

Phrase ID	Total duration	Duration	Phrase Name	Content
43			jlocid15	kuweito
44			jlocid24	chuugoku
45			jlocid25	nepaaru
46			jlocid30	firipinn
47			jlocid23	taiwann
48			jlocid56	kyuuba
49			jlocid70	chiri
Note 1: Duration time is in seconds.				
—end—				

Voice file name JPATC0EC

The following tables list the phrase IDs and content (silences, phrases or tones).

JPATC0EC Japanese voice file contents for virtual card 12

Phrase ID	Total duration	Duration	Phrase Name	Content
4	1.66		jlocid138	bosunia•herutzegobina
5	1.54		jlocid200	speinnryoukitaafurika
6	1.41		jlocid236	arabu shuchoukoku renpou
7	1.38		jlocid155	kokosu•kiirinnguguntou
8	1.38		jlocid170	furannsuryouporineshia
9	1.21		jlocid84	furannsuryougiana
10	1.17		jlocid172	mikutoneshiarenpou
11	1.21		jlocid194	sanntome•purinnshipe
12	1.09		jlocid72	dominikakyouwakoku
Note 1: Duration time is in seconds.				
—continued—				

JPATC0EC Japanese voice file contents for virtual card 12 (continued)

Phrase ID	Total duration	Duration	Phrase Name	Content
13	1.08		jlocid73	torinlocidaddo•tobako
14	1.02		jlocid140	shinyugosurabia
15	1.02		jlocid166	papua•nyuuginia
16	1.01		jlocid82	fookuranndoshotou
17	0.97		jlocid91	monntoseruratto
18	0.96		jlocid147	americann•samoa
19	0.96		jlocid95	azourusushotou
20	0.94		jlocid123	torukumenisutann
21	0.94		jlocid157	soromonshotou
22	0.94		jlocid165	noofookutou
23	0.94		jlocid190	koutojiboారు
24	0.94		jlocid196	siera•reoune
25	0.93		jlocid146	roshiarenpou
26	0.92		jlocid154	kurisumasutou
27	0.92		jlocid203	seklocidougina
28	0.91		jlocid183	kanariigunntou
29	0.91		jlocid209	chuuouafurika
30	0.91		jlocid216	burukina•faso
31	0.91		jlocid224	minamiafurika
32	0.88		jlocid143	rihitennshutainn
33	0.43		ljocid19	shiria
Note 1: Duration time is in seconds.				
—end—				

JPATC0EC Japanese voice file contents for virtual card 13

Phrase ID	Total duration	Duration	Phrase Name	Content
4	0.87		jlocid103	uzubekisutann
5	0.86		jlocid171	maasharushotou
6	0.85		jlocid163	nyuu•karedonia
7	0.84		jlocid145	rukusennburugu
8	0.84		jlocid227	mozannbiiku
9	0.83		jlocid94	azerubaijyan
10	0.84		jlocid188	ginia•bisao
11	0.84		jlocid119	tajikisutann
12	0.81		jlocid107	kazafusutann
13	0.8		jlocid153	kukkugunntou
14	0.8		jlocid109	guriinrando
15	0.77		jlocid127	farooshotou
16	0.77		jlocid149	ueekitou
17	0.75		jlocid81	pueruto•riiko
18	0.75		jlocid150	ousutoraria
19	0.74		jlocid164	nyuu•jiranndo
20	0.74		jlocid174	assennshonn
21	0.74		jlocid182	kaabo•uerude
22	0.74		jlocid220	madagasukaru
23	0.73		jlocid226	mouritania
24	0.72		jlocid113	giburarutaru
25	0.71		jlocid131	beraruushi
26	0.71		jlocid162	nishisamoa
27	0.71		jlocid215	nishisahara
28	0.7		jlocid205	sennto•herena
Note 1: Duration time is in seconds.				
—continued—				

JPATC0EC Japanese voice file contents for virtual card 13 (continued)

Phrase ID	Total duration	Duration	Phrase Name	Content
29	0.69		jlocid179	etiopia
30	0.68		jlocid142	ritoania
31	0.68		jlocid201	suwajirando
32	0.68		jlocid225	mourishasu
33	0.67		jlocid105	ousutoria
34	0.67		jlocid93	airurando
35	0.66		jlocid111	kuroatia
36	0.66		jlocid139	makedonia
37	0.66		jlocid185	kameruunn
38	0.66		jlocid97	arumenia
39	0.65		jlocid130	burugaria
40	0.65		jlocid134	porutogaru
41	0.65		jlocid144	ruumania
42	0.64		jlocid118	surobenia
43	0.64		jlocid21	dennmaaku
44	0.64		jlocid148	banuatsu
45	0.64		jlocid175	arugeria
46	0.55		jlocid129	furansu
47	0.29		jlocid120	chekko
Note 1: Duration time is in seconds.				
—end—				

Voice file name JPATC0ED

The following tables list the phrase IDs and content (silences, phrases or tones).

JPATC0ED Japanese voice file contents for virtual card 14

Phrase ID	Total duration	Duration	Phrase Name	Content
4	0.64		jlocid212	naijeria
5	0.64		jlocid235	igirisu
6	0.64		jlocid92	aisurando
7	0.64		jlocid96	arubania
8	0.63		jlocid117	surobakia
9	0.63		jlocid125	noruee
10	0.63		jlocid89	marutiniku
11	0.63		jlocid90	mekishiko
12	0.63		jlocid99	igirisu
13	0.62		jlocid112	sann•marino
14	0.62		jlocid207	tanzania
15	0.62		jlocid233	reyunionn
16	0.62		jlocid88	honndurasu
17	0.61		jlocid102	ukuraina
18	0.61		jlocid126	hanngarii
19	0.61		jlocid198	jinnbabue
20	0.6		jlocid197	jibutii
21	0.6		jlocid74	nikaraguwa
22	0.59		jlocid173	mlociddouee
23	0.58		jlocid128	finnrando
24	0.58		jlocid210	chunijia
25	0.58		jlocid214	nijeeru
26	0.58		jlocid217	burunndi
Note 1: Duration time is in seconds.				
—continued—				

JPATC0ED Japanese voice file contents for virtual card 14 (continued)

Phrase ID	Total duration	Duration	Phrase Name	Content
27	0.58		jlocid219	botsuwana
28	0.57		jlocid101	bachikann
29	0.57		jlocid115	sueedenn
30	0.57		jlocid132	berugii
31	0.57		jlocid213	namibia
32	0.57		jlocid80	barubadosu
33	0.56		jlocid110	gurujia
34	0.56		jlocid133	poorando
35	0.56		jlocid137	morudoba
36	0.56		jlocid141	ratobia
37	0.56		jlocid78	bamyuuda
38	0.56		jlocid85	beriizu
39	0.55		jlocid178	ejiputo
40	0.55		jlocid180	eritoria
41	0.55		jlocid193	zaiiru
42	0.55		jlocid230	riberia
43	0.55		jlocid231	ruwannda
44	0.55		jlocid234	america
45	0.55		jlocid83	burajiru
46	0.54		jlocid100	itaria
47	0.54		jlocid122	doitsu
48	0.54		jlocid206	somaria
49	0.54		jlocid79	paraguai
50	0.53		jlocid39	raosu
51	0.53		jlocid45	anngira
52	0.53		jlocid87	bolibia
Note 1: Duration time is in seconds.				
—continued—				

JPATC0ED Japanese voice file contents for virtual card 14 (continued)

Phrase ID	Total duration	Duration	Phrase Name	Content
53	0.52		jlocid106	oranda
54	0.52		jlocid176	anngora
55	0.52		jlocid177	uganda
56	0.52		jlocid211	tougou
57	0.3		jlocid223	mari
Note 1: Duration time is in seconds.				
—end—				

JPATC0ED Japanese voice file contents for virtual card 15

Phrase ID	Total duration	Duration	Phrase Name	Content
4	0.52		jlocid228	morokko
5	0.52		jlocid40	rebanonn
6	0.52		jlocid50	uruguai
7	0.51		jlocid18	jordann
8	0.51		jlocid36	miyannmaa
9	0.5		jlocid156	saipann
10	0.5		jlocid202	seisheru
11	0.5		jlocid31	butann
12	0.5		jlocid38	monngoru
13	0.5		jlocid98	andora
14	0.49		jlocid136	monako
15	0.49		jlocid151	kiribas
16	0.49		jlocid221	madeira
17	0.49		jlocid3	iemenn
Note 1: Duration time is in seconds.				
—continued—				

JPATC0ED Japanese voice file contents for virtual card 15 (continued)

Phrase ID	Total duration	Duration	Phrase Name	Content
18	0.49		jlocid59	gurenada
19	0.48		jlocid199	suudann
20	0.48		jlocid222	marau
21	0.48		jlocid75	haiti
22	0.47		jlocid135	maruta
23	0.47		jlocid186	gannbia
24	0.47		jlocid232	resoto
25	0.46		jlocid204	senegar
26	0.45		jlocid108	girisha
27	0.45		jlocid65	surinamu
28	0.44		jlocid160	nauru
29	0.44		jlocid161	niue
30	0.44		jlocid195	zannbia
31	0.44		jlocid34	makao
32	0.43		jlocid208	chaado
33	0.43		jlocid5	iraku
34	0.42		jlocid124	toruko
35			jlocid152	guamu
36			jlocid169	fiji
37			jlocid189	kenia
38			jlocid218	benann
39			jlocid114	suisu
40			jlocid168	hawai
41			jlocid229	ribia
42			jlocid55	kanada
43			jlocid76	banama
Note 1: Duration time is in seconds.				
—continued—				

JPATC0ED Japanese voice file contents for virtual card 15 (continued)

Phrase ID	Total duration	Duration	Phrase Name	Content
44			jlocid159	tonnga
45			jlocid181	gaana
46			jlocid184	gabonn
47			jlocid77	bahama
48			jlocid167	parao
49			jlocid192	kongou
50			jlocid44	aruba
51			jlocid187	ginia
52			jlocid7	indo
53			jlocid158	tobaru
54			jlocid191	komoro
55			jlocid86	peruu
56			jlocid6	irann
57			jlocid116	supeinn
58			jlocid104	esutonia
Note 1: Duration time is in seconds.				
—end—				

Korean announcements

This section consists of the following voice file names:

- korean01
- korean23
- korean45
- korean67
- korean8

Voice file name korean01

The following tables list the phrase IDs and content (silences, phrases or tones).

Korean01 voice file contents for virtual card 16

Phrase ID	Total duration	Duration	Phrase Name	Content
4	6.5		id2001	Yoginun IDC imnida. Yoropunkeso iyonhago keshinun kucche chonanun hyonje
5	0.58		id2002	shigan
6	0.43		id2003	bun
7	0.42		id2004	cho
8	1.24		id2005	go yogumun
9	0.94		id2006	en imnida
10	1.8		id2007	Tashi malsum dourikessumnida
11	0.66		id2008	en imyo
12	2.01		id2009	punkwa tonhwa hayossumnida
13	6.18		id2010	IDC rul iyonha chusyuso dedani kamsahamnida. Igosun nogum teipuumnida.
14	0.45		id2011	pun
15	0.48		id2012	kong
16	0.42		id2013	il
Note 1: Duration time is in seconds.				
—continued—				

Korean01 voice file contents for virtual card 16 (continued)

Phrase ID	Total duration	Duration	Phrase Name	Content
17	0.33		id2014	i
18	0.47		id2015	sam
19	0.47		id2016	sa
20	0.35		id2017	o
21	0.3		id2018	you
22	0.48		id2019	ch'i
23	0.38		id2020	pay
24	0.41		id2021	ku
25	0.37		id2022	yong
26	0.3		id2023	shi
27	0.48		id2024	shi-il
28	0.55		id2025	shi-i
29	0.63		id2025	shi-sam
30	0.68		id2027	shi-sa
31	0.52		id2028	shi-o
32	0.63		id2029	shi-yuk
33	0.74		id2030	shi-ch'il
34	0.74		id2031	shi-p'al
35	0.46		id2034	ch'on
Note 1: Duration time is in seconds.				
—end—				

Korean01 voice file contents for virtual card 17

Phrase ID	Total duration	Duration	Phrase Name	Content
4	0.7		id2032	shi-ku
5	0.48		id2035	man
6	0.47		id2036	i-ship
7	0.52		id2037	sam-ship
8	0.55		id2038	sa-ship
9	0.52		id2039	o-ship
10	0.52		id2040	yuk-ship
11	0.52		id2041	ch'il-ship
12	0.54		id2042	p'al-ship
13	0.47		id2043	ku-ship
14	0.35		id2044	han
15	0.32		id2045	tu
16	0.35		id2046	se
17	0.37		id2047	ne
18	0.44		id2048	tasot
19	0.42		id2049	yosot
20	0.38		id2050	ilgop
21	0.49		id2051	yodol
22	0.42		id2052	ahop
23	0.45		id2053	yul
24	0.45		id2054	yul-han
25	0.57		id2055	yul-tu
26	0.61		id2056	yul-se
27	0.55		id2057	yul-ne
28	0.71		id2058	yul-tasot
29	0.63		id2059	yul-yosot
Note 1: Duration time is in seconds.				
—continued—				

Korean01 voice file contents for virtual card 17 (continued)

Phrase ID	Total duration	Duration	Phrase Name	Content
30	0.68		id2060	yul-ilgop
31	0.85		id2061	yul-yodol
32	0.63		id2062	yul-ahop
33	0.58		id2063	sumoo
34	0.49		id2064	sumul
35	0.55		id2065	sorun
36	0.57		id2066	mapun
37	0.54		id2067	ching
38	0.56		id2068	yesun
39	0.47		id2069	edan
40	0.52		id2070	yudun
41	0.52		id2071	apun
42	0.29		id2072	paek
43	1.01		id2073	Ap'uganist'an
44	1.1		id2074	Arab Emilit'u
45	0.68		id2075	Yemen
46	0.67		id2076	Israel
47	0.67		id2077	Iraku
48	0.43		id2078	Iran
49	0.6		id2079	Indo
50	1.02		id2080	Indonesia
51	0.76		id2081	Pet'unam
52	0.52		id2082	Oman
53	0.77		id2083	Quataru
54	0.94		id2084	Taehanminguk
Note 1: Duration time is in seconds.				
—continued—				

Korean01 voice file contents for virtual card 17 (continued)

Phrase ID	Total duration	Duration	Phrase Name	Content
55	0.88		id2085	K'ambodia
56	0.99		id2115	Aljent'ina
Note 1: Duration time is in seconds.				
—end—				

Voice file name korean23

The following tables list the phrase IDs and content (silences, phrases or tones).

Korean23 voice file contents for virtual card 18

Phrase ID	Total duration	Duration	Phrase Name	Content
4	2.15		id2086	chosen ming du juey in ming koo haw go
5	0.85		id2087	K'uweit'u
6	0.98		id2088	Keypurosu
7	1.19		id2089	Saudi Arabia
8	0.69		id2090	Yorudan
9	0.67		id2091	Shiria
10	0.9		id2092	Singaporu
11	0.87		id2093	Surirangk'a
12	0.49		id2094	T'aigoo
13	0.64		id2095	Taeman
14	0.56		id2096	Chungguk
15	0.68		id2097	Nep'al
16	0.93		id2098	P'ak'istan
17	0.72		id2099	Parein
Note 1: Duration time is in seconds.				
—continued—				

Korean23 voice file contents for virtual card 18 (continued)

Phrase ID	Total duration	Duration	Phrase Name	Content
18	1.04		id2100	Panggulladeshi
19	0.89		id2101	Tong T'imor
20	0.81		id2102	P'lip'in
21	0.69		id2103	Put'an
22	0.74		id2104	Purunei
23	0.65		id2105	Hong Kong
24	0.71		id2106	Mak'ao
25	0.86		id2107	Malleishia
26	0.68		id2108	Myamma
27	0.85		id2109	Morudibu
28	0.59		id2110	Mongo
29	0.86		id2111	Laosu
30	0.78		id2112	Lebanon
31	0.89		id2114	Alasuk'a
32	0.87		id2116	Arubasun
33	0.88		id2117	Anjilla
34	1.26		id2118	Ant'igua-Babuda
35	1.74		id2119	Younggungnyong Bojinjedo
36	1.69		id2120	Migungnyong Bojinjedo
37	1.03		id2132	K'eimanjedo
38	0.57		id2142	Ch'ille
Note 1: Duration time is in seconds.				
—end—				

Korean23 voice file contents for virtual card 19

Phrase ID	Total duration	Duration	Phrase Name	Content
4	0.5		id2113	Miguk
5	0.97		id2121	Penesuella
6	0.67		id2122	Uruguai
7	0.79		id2123	Ek'uadoru
8	1.19		id2124	El-Salbadoru
9	1.03		id2125	Antillisu
10	0.84		id2126	Kuaiana
11	0.7		id2127	K'eanada
12	0.51		id2128	K'uba
13	0.94		id2129	Kwat'emalla
14	1.09		id2130	Kwaterupusum
15	0.81		id2131	Kurenada
16	0.99		id2133	K'osut'a-Rik'a
17	0.78		id2134	K'olombia
18	2.22		id2135	Seint'uPieruMikueronsum
19	0.92		id2136	Chamaik'a
20	0.63		id2137	Surinam
21	1.78		id2138	Seint'uBinsent'u.Kurenadin
22	1.91		id2139	Seint'uK'urist'op'o Nebisu
23	1.16		id2140	Seint'u Lushia
24	1.21		id2141	K'aikosujedo
25	1.28		id2143	Tominik'a Yongbon
26	1.3		id2144	Tominik'akonghwaguk
27	1.5		id2145	T'uriniadu.T'obak'o
28	0.86		id2146	Nik'aragua
29	0.81		id2147	Hait'i
Note 1: Duration time is in seconds.				
—continued—				

Korean23 voice file contents for virtual card 19 (continued)

Phrase ID	Total duration	Duration	Phrase Name	Content
30	0.62		id2148	P'anama
31	0.75		id2149	pahama
32	0.75		id2150	Pamyuda
33	0.82		id2151	P'araguai
34	0.51		id2158	P'eru
35	0.56		id2194	Togil
Note 1: Duration time is in seconds.				
—end—				

Voice file name korean45

The following tables list the phrase IDs and content (silences, phrases or tones).

Korean45 voice file contents for virtual card 20

Phrase ID	Total duration	Duration	Phrase Name	Content
4	0.68		id2155	Purajil
5	0.62		id2156	Kiana
6	0.77		id2157	Peliju
7	0.82		id2159	Polibia
8	0.96		id2160	Hondurasu
9	1.28		id2161	Marut'inik'esum
10	0.81		id2162	Meksik'o
11	1.09		id2163	Monserat'u
12	1.06		id2164	Aisullandu
13	0.85		id2165	Aillandu
Note 1: Duration time is in seconds.				
—continued—				

Korean45 voice file contents for virtual card 20 (continued)

Phrase ID	Total duration	Duration	Phrase Name	Content
14	1.04		id2166	Ajerubaijan
15	1.08		id2167	Ajolsujedosum
16	0.91		id2168	Albania
17	0.81		id2169	Arumenia
18	0.77		id2170	Andora
19	0.56		id2171	Yongguk
20	0.61		id2172	It'aeri
21	0.78		id2173	Pat'ik'an
22	0.89		id2174	UK'uraina
23	1.05		id2175	Ujubek'ust'an
24	0.87		id2176	Est'onia
25	0.74		id2177	Osut'uria
26	0.88		id2178	Nedellandu
27	0.9		id2179	K'ajahusut'an
28	0.68		id2180	Kurisu
29	0.96		id2181	Kurinlandu
30	0.65		id2182	Chojia
31	0.87		id2183	K'uroat'ia
32	0.92		id2184	San-Marino
33	0.88		id2185	Chibulalt'al
34	0.78		id2186	Suwisu
35	0.8		id2187	Suweden
36	0..		id2188	Sup'ein
37	0.95		id2189	Sulobak'ia
38	0.88		id2191	T'ajik'istan
Note 1: Duration time is in seconds.				
—continued—				

Korean45 voice file contents for virtual card 20 (continued)

Phrase ID	Total duration	Duration	Phrase Name	Content
39	0.57		id2192	Ch'ek'o
40	0.92		id2193	Tenmaku
Note 1: Duration time is in seconds.				
—end—				

Korean45 voice file contents for virtual card 21

Phrase ID	Total duration	Duration	Phrase Name	Content
4	0.75		id2197	Nolwei
5	0.77		id2198	Hanggari
6	1.0		id2199	P'arojedo
7	0.85		id2200	P'inlandu
8	0.74		id2201	P'urangsu
9	0.75		id2202	Pulgaria
10	0.94		id2203	Pelarusu
11	0.64		id2204	Pelgie
12	0.87		id2205	P'ollandu
13	0.74		id2206	P'urut'ugal
14	0.72		id2207	Malt'a
15	0.77		id2208	Monak'o
16	0.85		id2209	Moldoba
17	1.6		id2210	Posunia.Helch'egobia
18	0.98		id2211	Mak'edonia
19	0.98		id2212	Yugosulabia
20	0.82		id2213	Lat'obia
Note 1: Duration time is in seconds.				
—continued—				

Korean45 voice file contents for virtual card 21 (continued)

Phrase ID	Total duration	Duration	Phrase Name	Content
21	0.9		id2214	Lit'uania
22	1.14		id2215	Lihit'enshut'ain
23	0.76		id2216	Romania
24	1.01		id2217	Lukseburuku
25	0.64		id2218	Rushia
26	0.67		id2219	Samoa
27	0.97		id2220	Penuat'u
28	0.95		id2221	Weik'usom
29	1.06		id2222	Osut'ureillia
30	0.87		id2223	Kiribashi
31	0.77		id2224	Kwam Som
32	0.85		id2225	K'uk'udo
33	1.29		id2226	K'urisumasusom
34	1.22		id2227	K'ok'osuk'ilingdo
35	0.86		id2228	Saip'an
36	1.15		id2229	Solomonjedo
37	0.72		id2230	T'ubalu
38	0.8		id2293	Madala
Note 1: Duration time is in seconds.				
—end—				

Voice file name korean67

The following tables list the phrase IDs and content (silences, phrases or tones).

Korean67 voice file contents for virtual card 22

Phrase ID	Total duration	Duration	Phrase Name	Content
4	0.65		id2231	T'ongga
5	0.7		id2232	Naurudo
6	.066		id2233	Nieu
7	0.91		id2234	So–Samoa
8	1.21		id2235	NyuK'aledonia
9	0.98		id2236	NyuJilandu
10	1.04		id2237	Nopokusom
11	1.11		id2238	P'ap'uaNiuginia
12	0.73		id2239	P'alao
13	0.79		id2240	Hawai
14	0.63		id2241	P'iji
15	0.89		id2242	Polineshia
16	1.11		id2243	Mashaljedo
17	0.98		id2244	Mik'uroneshia
18	0.73		id2245	Miduwei
19	0.75		id2247	Aljerie
20	0.71		id2248	Anggola
21	0.63		id2249	Uganda
22	0.77		id2250	Ijpt'u
23	0.9		id2251	Et'ioip'ia
24	0.65		id2253	Kana
25	1.13		id2255	K'anarigundo
26	0.68		id2257	K'amerun
Note 1: Duration time is in seconds.				
—continued—				

Korean67 voice file contents for virtual card 22 (continued)

Phrase ID	Total duration	Duration	Phrase Name	Content
27	0.55		id2259	Kinie
28	0.61		id2261	K'anya
29	1.15		id2262	K'ot'edilbori
30	0.71		id2265	Chairu
31	0.71		id2267	Chambia
32	0.93		id2268	SieraLeone
33	0.71		id2269	Chibit'i
34	0.93		id2270	Chimbabu
35	1.09		id2271	Sudan
36	0.79		id2272	pukAp'urika
37	1.08		id2273	SuwaJillandu
38	0.68		id2274	Seishel
39	0.63		id2275	Chekdo Kini
40	1.22		id2276	Senegal
41	0.84		id2280	Ch'edu
Note 1: Duration time is in seconds.				
—end—				

Korean67 voice file contents for virtual card 23

Phrase ID	Total duration	Duration	Phrase Name	Content
4	1.22		id2259	Sainte Helena
5	0.84		id2278	Somalia
6	0.83		id2279	T'anjania
7	1.19		id2281	ChungangAp'urik'a
Note 1: Duration time is in seconds.				
—continued—				

Korean67 voice file contents for virtual card 23 (continued)

Phrase ID	Total duration	Duration	Phrase Name	Content
8	0.73		id2282	Tungee
9	0.56		id2283	T'ogo
10	0.86		id2284	Naijeria
11	0.82		id2285	Namibia
12	0.72		id2286	Nijeru
13	0.94		id2287	So-Sahara
14	1.15		id2288	Pok'inaP'aso
15	0.71		id2289	Purundi
16	0.56		id2290	Pening
17	0.95		id2291	Poch'uwana
18	1.1		id2292	Madagaskaru
19	0.72		id2294	Mallawi
20	0.56		id2295	Malli
21	0.99		id2296	NamAp'urika
22	0.87		id2297	Mourishosu
23	0.78		id2298	Moritani
24	0.96		id2299	Mojambik'u
25	0.72		id2300	Morok'o
26	0.63		id2301	Libia
27	0.79		id2302	Liberia
28	0.76		id2303	Louanda
29	0.84		id2304	Lesot'o
30	0.79		id2305	Riyunion
31	0.46		id2306	Meegoo
32	0.54		id2307	Yunggoo
33	1.16		id2308	Arab Emilit'u
Note 1: Duration time is in seconds.				
—continued—				

Korean67 voice file contents for virtual card 23 (continued)

Phrase ID	Total duration	Duration	Phrase Name	Content
34	0.61		ide2309	T'ok'i
35	1.04		ide2310	Parubadosu
36	1.05		ide2311	Puerut'o-Rik'o
37	1.18		ide2312	P'ok'ulandujedo
38	0.84		ide2313	Sulobenia
39	1.11		ide2314	T'ok'umenistan
40	0.31		de2315	paek
Note 1: Duration time is in seconds.				
—end—				

Voice file name korean8

The following tables list the phrase IDs and content (silences, phrases or tones).

Korean8 voice file contents for virtual card 24

Phrase ID	Total duration	Duration	Phrase Name	Content
4	0.85		id2246	Asensyon
5	0.86		id2252	Erit'uria
6	1.12		id2254	K'eip'uBerudo
7	0.55		id2256	Kabon
8	0.73		id2258	Kambia
9	1.04		id2260	KiniaBisau
10	0.71		id2263	K'omoro
Note 1: Duration time is in seconds.				
—continued—				

Korean8 voice file contents for virtual card 24 (continued)

Phrase ID	Total duration	Duration	Phrase Name	Content
11	0.6		id2264	K'ongo
12	1.45		id2266	SaoTom.P'urinsip'u
Note 1: Duration time is in seconds.				
—end—				

Malay announcements

This section consists of the following voice file names:

- malay01
- malay23
- malay45
- malay67
- malay89

Voice file name malay01

The following tables list the phrase IDs and content (silences, phrases or tones).

Malay01 voice file contents for virtual card 16

Phrase ID	Total duration	Duration	Phrase Name	Content
4	6.76		id0600	Ini ialah IDC. Panggilan antabangsa yang baru saja anda bua
5	0.61		id0601	slamur
6	0.52		id0602	slamur
7	0.4		id0603	minit
8	0.51		id0604	saat
9	1.43		id0605	bayarannya ialah
10	0.49		id0606	yen
11	0.95		id0607	diulang
12	1.08		id0608	panggilan ke
13	0.7		id0609	nombor
14	3.56		id0610	Trima kasih kerana menggunakan IDC.
15	0.7		id0611	Kosong
16	0.69		id0612	Satu
17	0.56		id0612	Dual
18	0.55		id0614	Tigar
Note 1: Duration time is in seconds.				
—continued—				

Malay01 voice file contents for virtual card 16 (continued)

Phrase ID	Total duration	Duration	Phrase Name	Content
19	0.53		id0615	Empat
20	0.7		id0616	Limur
21	0.64		id0617	Enam
22	0.61		id0618	Tujuh
23	0.83		id0620	Sembilan
24	0.69		id0621	Sepuluh
25	0.84		id0622	Seblas
26	0.89		id0623	DualBelas
27	0.94		id0624	TigarBelas
28	0.91		id0625	Empat Belas
29	0.99		id0626	LimurBelas
30	0.9		id0627	EnamBelas
31	1.11		id0628	TujuBelas
32	1.31		id0630	SembilanBelas
Note 1: Duration time is in seconds.				
—end—				

Malay 01 voice file contents for virtual card 17

Phrase ID	Total duration	Duration	Phrase Name	Content
4	0.69		id0619	Lapan
5	1.05		id0629	LapanBelas
6	1.01		id0631	DualPuluh
7	1.18		id0632	Seartus
8	0.75		id0633	Ratus
Note 1: Duration time is in seconds.				
—continued—				

Malay 01 voice file contents for virtual card 17 (continued)

Phrase ID	Total duration	Duration	Phrase Name	Content
9	0.71		id0634	Seribu
10	0.56		id0635	Ribu
11	0.79		id0636	Sejuta
12	0.89		id0637	TigarPuluh
13	1.16		id0638	EmpatPuluh
14	1.09		id0639	LimurPuluh
15	1.13		id0640	EnamPuluh
16	1.05		id0641	TujuhPuluh
17	1.08		id0642	LapanPuluh
18	1.29		id0643	SembilanPuluh
19	0.69		id0644	Juta
20	1.27		id0645	Afghanishtan
21	1.8		id0646	Emiriyah Arab Besatu
22	0.72		id0647	Yaman
23	0.88		id0648	Israel
24	0.48		id0649	Irak
25	0.76		id0651	India
26	1.03		id0652	Indonesia
27	0.91		id0653	VietNam
28	0.61		id0654	Oman
29	0.78		id0655	Qatar
30	0.66		id0656	Korea
31	0.85		id0657	Kemboja
32	0.69		id0658	Korea
33	0.4		id0659	Kuwait
34	0.88		id0660	Cyprus
Note 1: Duration time is in seconds.				
—continued—				

Malay 01 voice file contents for virtual card 17 (continued)

Phrase ID	Total duration	Duration	Phrase Name	Content
35	1.37		id0661	Arab Saudi
36	0.72		id0662	Jordan
37	1.47		id0673	Timor Timur
Note 1: Duration time is in seconds.				
—end—				

Voice file name malay23

The following tables list the phrase IDs and content (silences, phrases or tones).

Malay23 voice file contents for virtual card 18

Phrase ID	Total duration	Duration	Phrase Name	Content
4	0.48		id0650	Iran
5	0.83		id0663	Syria
6	1.07		id0664	Singapura
7	1.13		id0665	Sri Lanka
8	1.17		id0666	Negeri Thai
9	0.75		id0667	Taiwan
10	0.56		id0668	China
11	0.68		id0669	Nepal
12	0.86		id0670	Pakistan
13	0.82		id0671	Bahrain
14	1.14		id0672	Bangladesh
15	1.06		id0674	Filipina
16	0.69		id0675	Bhutan
Note 1: Duration time is in seconds.				
—continued—				

Malay23 voice file contents for virtual card 18 (continued)

Phrase ID	Total duration	Duration	Phrase Name	Content
17	0.86		id0676	Brunei
18	0.83		id0677	Hong Kong
19	0.71		id0678	Macao
20	0.76		id0679	Malaysia
21	0.83		id0680	Myanmar
22	0.82		id0681	Maldives
23	1.07		id0682	Mongolia
24	0.62		id0683	Laos
25	0.81		id0684	Lubnan
26	1.66		id0685	Amerika Sharikat
27	0.83		id0686	Alaska
28	1.1		id0687	Argentina
29	1.13		id0689	Anguilla
30	0.94		id0789	Luxembourg
31	0.95		id0788	Romania
32	0.96		id0793	Pulau Wake
33	1.09		id0783	Macedonia
34	1.22		id0784	Yugoslavia
35	1.01		id0693	Venezuela
36	0.88		id0694	Uruguay
37	1.06		id0757	Gibraltar
Note 1: Duration time is in seconds.				
—end—				

Malay 23 voice file contents for virtual card 19

Phrase ID	Total duration	Duration	Phrase Name	Content
4	0.72		id0719	Haiti
5	0.68		id0736	Iceland
6	0.72		id0700	Cuba
7	0.64		id0714	Chile
8	0.86		id0695	Ecuador
9	0.62		id0720	Panama
10	0.72		id0727	Brazil
11	0.77		id0721	Bahamas
12	0.84		id0699	Kanada
13	0.84		id0715	Dominica
14	0.48		id0730	Peru
15	0.87		id0706	Colombia
16	0.87		id0722	Bermuda
17	0.87		id0723	Paraguay
18	0.88		id0733	Martinique
19	0.91		id0703	Grenada
20	0.92		id0709	Surinam
21	0.92		id0732	Honduras
22	0.95		id0708	Jamaica
23	0.95		id0731	Bolivia
24	0.96		id0701	Guatemala
25	0.98		id0718	Nicaragua
26	1.01		id0760	Spanyol
27	1.08		id0725	PuertoRico
28	1.24		id0705	CostaRica
29	1.25		id0696	ElSalvado
Note 1: Duration time is in seconds.				
—continued—				

Malay 23 voice file contents for virtual card 19 (continued)

Phrase ID	Total duration	Duration	Phrase Name	Content
30	0.95		id0785	Latvia
31	0.88		id0790	Russia
32	0.89		id0780	Monaco
33	0.69		id0772	Finlan
34	0.8		id0775	Belarus
35	1.13		id0794	Australia
36	0.77		id0770	Hungary
37	0.86		id0773	Perantis
38	0.87		id0778	Portugal
39	1.01		id0774	Bulgaria
Note 1: Duration time is in seconds.				
—end—				

Voice file name malay45

The following tables list the phrase IDs and content (silences, phrases or tones).

Malay45 voice file contents for virtual card 20

Phrase ID	Total duration	Duration	Phrase Name	Content
4	0.21		id0764	Czech
5	0.63		id0752	Greek
6	0.67		id0759	Sweden
7	0.66		id0737	Irelan
8	0.66		id0744	Itali
9	0.67		id0765	Denmark
Note 1: Duration time is in seconds.				
—continued—				

Malay45 voice file contents for virtual card 20 (continued)

Phrase ID	Total duration	Duration	Phrase Name	Content
10	0.7		id0766	Jerman
11	0.74		id0753	Greenlan
12	0.75		id0768	Turki
13	0.76		id0735	Monserrat
14	0.77		id0769	Norway
15	0.78		id0746	Ukraine
16	0.79		id0734	Mexico
17	0.79		id0761	Slovak
18	0.84		id0755	Croatia
19	0.85		id0749	Austria
20	0.85		id0754	Georgia
21	0.87		id0742	Andorra
22	0.87		id0750	Belanda
23	0.89		id0758	Switzerlan
24	0.94		id0740	Albania
25	0.94		id0751	Kazakstan
26	0.96		id0741	Armenia
27	1.01		id0748	Estonia
28	1.03		id0762	Slovenia
29	1.03		id0781	Moldavia
30	1.08		id0786	Lithuania
31	1.08		id0787	Liechtenstein
32	1.06		id0767	Turkmenistan
33	1.22		id0756	SanMarino
34	1.3		id0747	Uzbekistan
35	1.4		id0745	Vatican City
Note 1: Duration time is in seconds.				
—continued—				

Malay45 voice file contents for virtual card 20 (continued)

Phrase ID	Total duration	Duration	Phrase Name	Content
36	1.52		id0728	Grana Prantis
37	0.65		id0777	Polan
38	0.68		id0776	Belgium
39	0.78		id0779	Malta
Note 1: Duration time is in seconds.				
—end—				

Malay45 voice file contents for virtual card 21

Phrase ID	Total duration	Duration	Phrase Name	Content
4	1.13		id0763	Tadzhikistan
5	0.96		id0795	Kiribati
6	0.49		id0796	Guam
7	1.09		id0797	Kepulauan Coo
8	1.31		id0798	Pulau Krismas
9	2.24		id0799	Kepulauan Cocos Keeling
10	0.84		id0800	Saipan
11	1.89		id0801	Kepulanuan Solomon
12	0.77		id0802	Tuvalu
13	0.7		id0803	Tonga
14	0.6		id0804	Nauru
15	0.63		id0805	Niue
16	1.23		id0806	Samoa Barat
17	1.4		id0807	NewCaledonia
18	0.96		id0808	NewZealan
Note 1: Duration time is in seconds.				
—continued—				

Malay45 voice file contents for virtual card 21 (continued)

Phrase ID	Total duration	Duration	Phrase Name	Content
19	1.36		id0809	Pulau Norfolk
20	1.31		id0810	Pupau New Guinea
21	0.57		id0811	Palau
22	0.67		id0812	Hawaii
23	0.61		id0813	Fiji
24	1.74		id0814	Polynesia Prantis
25	1.62		id0815	Kepulauan Marshal
26	1.11		id0816	Micronesia
27	0.72		id0817	Mintway
28	0.96		id0819	Algeria
29	0.92		id0820	Angola
30	0.84		id0822	Mesir
31	0.82		id08223	Habsyah
32	0.57		id08225	Ghana
33	1.34		ide4	St. Lucia
Note 1: Duration time is in seconds.				
—end—				

Voice file name malay67

The following tables list the phrase IDs and content (silences, phrases or tones).

Malay67 voice file contents for virtual card 22

Phrase ID	Total duration	Duration	Phrase Name	Content
4	2.52		id0782	Bosnia dan Herzegovina
5	1.79		id0791	Samoa Amerika
6	1.12		id0792	Vanuatu
7	0.9		id0821	Uganda
8	1.79		id0827	Kepulauan Canary
9	0.79		id0829	Cameroun
10	0.65		id0831	Guinea
11	0.62		id0833	Kenya
12	1.13		id0834	Ivory Coas
13	0.67		id0837	Zaire
14	0.72		id0839	Zambia
15	0.96		id0843	Zimbabwe
16	0.66		id0844	Sudan
17	2.14		id0845	Afrika Utara Sepanyol
18	1.67		id0848	Guinea Khatulistiwa
19	0.81		id0849	Senegal
20	0.91		id0851	Somalia
21	0.92		id0852	Tanzania
22	0.89		id0855	Tunisia
23	0.9		id0857	Nigeria
24	0.94		id0858	Namibia
25	0.72		id0867	Malawi
26	1.38		id0869	Afrika Selatan
Note 1: Duration time is in seconds.				
—continued—				

Malay67 voice file contents for virtual card 22 (continued)

Phrase ID	Total duration	Duration	Phrase Name	Content
27	0.91		id0872	Mozambique
28	0.84		id0873	Maghribi
29	0.79		id0874	Libya
30	0.92		id0875	Liberia
31	0.74		id0876	Rwanda
32	0.74		id0880	U.K.
33	0.86		id0881	U.A.E.
Note 1: Duration time is in seconds.				
—end—				

Malay 67 voice file contents for virtual card 23

Phrase ID	Total duration	Duration	Phrase Name	Content
4	1.26		id0882	Korea Utara
5	1.26		id0883	Korea Selatan
6	0.78		id0889	U.S.
7	2.38		ide1	Kepulauan Virgin British
8	2.64		ide2	Kepulauan Virgin Amerika
9	1.61		ide3	Kepulauan Cayman
10	1.73		ide5	Rrepublik Dominica
11	2.31		ide6	Trinidad dan Tobago
12	1.91		ide7	Kepulauan Alzores
13	1.33		ide8	United Kingdom
14	1.65		ide9	Kepulauan Faeroe
15	2.76		ide10	St. Christopher dan Nevis
Note 1: Duration time is in seconds.				
—continued—				

Malay 67 voice file contents for virtual card 23 (continued)

Phrase ID	Total duration	Duration	Phrase Name	Content
16	2.92		ide11	Kepulauan Turks dan Caicos
17	0.87		ide12	Barbados
18	1.71		ide13	Kepulauan Faulklan
19	0.69		ide14	Belize
20	1.03		ide15	Alsabaijan
21	1.05		id0841	Djibouti
22	0.87		id0870	Mauritius
Note 1: Duration time is in seconds.				
—end—				

Voice file name malay89

The following tables list the phrase IDs and content (silences, phrases or tones).

Malay89 voice file contents for virtual card 24

Phrase ID	Total duration	Duration	Phrase Name	Content
4	0.75		id0688	Aruba
5	2.53		id0690	Antigua das Barbuda
6	1.59		id0697	Antilles Belanda
7	0.79		id0698	Guyana
8	0.9		id0702	Guadeloupe
9	2.35		id0707	St. Pierre dan Miquelon
10	2.71		id0710	St. Vincent dan Grenada
11	1.05		id0818	Ascension
12	0.93		id0824	Eritrea
Note 1: Duration time is in seconds.				
—continued—				

Malay89 voice file contents for virtual card 24 (continued)

Phrase ID	Total duration	Duration	Phrase Name	Content
13	0.9		id0826	Cape Verde
14	0.62		id0828	Gabon
15	1.21		id0832	GuineaBissau
16	0.75		id0835	Comoro
17	0.71		id0836	Congo
18	2.34		id0838	Sao Tome dan Principe
19	1.32		id0840	Sierra Leone
20	0.91		id0846	Swaziland
21	0.99		id0847	Seychelles
22	1.22		id0850	St. Helena
23	0.32		id0853	Chad
24	1.18		id0854	Africe Tengah
25	0.57		id0856	Togo
26	0.62		id0859	Niger
27	0.94		id0860	Sahara Barat
28	1.38		id0861	Burkina Faso
29	0.73		id0862	Burundi
30	0.59		id0863	Benin
31	0.49		id0868	Mali
Note 1: Duration time is in seconds.				
—end—				

Malay 89 voice file contents for virtual card 25

Phrase ID	Total duration	Duration	Phrase Name	Content
4	0.78		id0830	Gambia
5	0.94		id0864	Botswana
6	0.98		id0865	Madagascar
7	0.87		id0866	Madeira
8	1.26		id0871	Mauritania
9	0.86		id0877	Lesotho
10	1.02		id0878	Reunion
Note 1: Duration time is in seconds.				
—end—				

Mandarin announcements

This section consists of the following voice file names:

- mndrn01
- mndrn23
- mndrn45
- mndrn67

Voice file name mndrn01

The following tables list the phrase IDs and content (silences, phrases or tones).

Mndrn01 voice file contents for virtual card 16

Phrase ID	Total duration	Duration	Phrase name	Content
4	6.87		id0043	Gan xie nin shi yong IDC guo ji dian hua. Gang cai nin ting dao de shi lu yin dian hua.
5	4.47		id0035	Zhe Li Shi IDC. Ning Da De Guo Ji Dian Hua Yong Le
6	1.12		id0170	aloe qundao
7	0.59		id0168	nuowei
8	0.5		id0164	danmai
9	1.08		id0071	mengjialaguo
10	1.08		id0155	shengmalinuo
11	1.07		id0101	guadeluopu
12	1.07		id0102	gelinnada
13	1.07		id0103	kymon qundao
14	1.04		id0059	saipulusi
15	1.04		id0132	matinike
16	1.02		id0069	bajisitan
17	1.02		id0196	kukequndao
18	1.01		id0041	Chong Fu Yi Bian
Note 1: Duration time is in seconds.				
—continued—				

Mndrn01 voice file contents for virtual card 16 (continued)

Phrase ID	Total duration	Duration	Phrase name	Content
19	1.01		id0131	hongdulasi
20	0.99		id0111	shengluxiya
21	0.99		id0156	zhibuluotuo
22	0.98		id0160	siluofake
23	0.96		id0078	malaixiya
24	0.96		id0086	agenting
25	0.96		id0191	wanuatu
26	0.5		id0005	san
Note 1: Duration time is in seconds.				
—end—				

Mndrn01 voice file contents for virtual card 17

Phrase ID	Total duration	Duration	Phrase name	Content
4	3.26		id0110	shengkelisitufo he niweisi
5	3.14		id0112	tekesi qundao he kaikesi qundao
6	2.08		id0181	bosiniya heisaigeweina
7	1.38		id0042	dui fang hao ma shi
8	1.37		id0134	mengtesailate
9	1.25		id0138	yasu'er qundao
10	1.22		id0125	fukelan qundao
11	1.22		id0186	liezhidunshideng
12	1.21		id0051	yindunxiya
13	1.2		id0060	shate'alabo
14	1.17		id0161	siluowenniya
Note 1: Duration time is in seconds.				
—continued—				

Mndrn01 voice file contents for virtual card 17 (continued)

Phrase ID	Total duration	Duration	Phrase name	Content
15	0.95		id0064	sillilanka
16	0.95		id0080	ma'erdaifu
17	0.94		id0174	bailuresu
18	0.93		id0180	mo'erduowa
19	0.92		id0184	latuoweiya
20			id0049	yilang
21			id0099	guba
22			id0150	hasake setan
23			id0011	jiu
24			id0008	liu
25			d0092	weineiruila
26			id0095	sa'erwaduo
27			id0137	asaibaijiang
28			id0058	keweite
29			id0107	yamaijia
30			id0121	baimuda
Note 1: Duration time is in seconds.				
—end—				

Voice file name mndrn23

The following tables list the phrase IDs and content (silences, phrases or tones).

Mndrn23 voice file contents for virtual card 18

Phrase ID	Total duration	Duration	Phrase name	Content
4			id0109	shengwensente he gelinnading
5			id0106	shengpiaier he mikelong
6			id0045	alabolianheqiuzhangguo
7			id0020	shi–ba
8			id0017	shi–wu
9	0.56		id0007	wu
10	0.44		id0001	ling
11	2.16		id0089	antigua he babuda
12	0.88		id0085	alasijia
13	0.88		id0094	weiguaduo'er
14	0.86		id0039	Jin E Shi
15	0.86		id0100	weidimala
16	0.86		id0117	nijialagua
17	0.79		id0108	sulinan
18	0.79		id0153	gelujiya
19	0.74		id0023	san–shi
20	0.74		id0055	hanguo
21	0.71		id0026	liu–shi
22	0.71		id0028	ba–shi
23	0.71		id0048	yilake
24	0.7		id0016	shi–si
25	0.7		id0019	shi–qi
26	0.7		id0120	bahama
Note 1: Duration time is in seconds.				
—continued—				

Mndrn23 voice file contents for virtual card 18 (continued)

Phrase ID	Total duration	Duration	Phrase name	Content
27	0.79		id0088	an guila
28	0.79		id0187	luomaniya
29	0.74		id0133	moxige
30	0.85		id0124	boduolige
31	0.85		id0173	baojialiya
32	0.59		id0038	miao
33	0.59		id0148	aodili
34	0.57		id0050	yindu
35	0.57		id0151	xila
36	0.54		id0037	fen
37	0.54		id0113	zhili
38	0.51		id0074	budan
Note 1: Duration time is in seconds.				
—end—				

Mndrn23 voice file contents for virtual card 19

Phrase ID	Total duration	Duration	Phrase name	Content
4	2.06		id0090	yingshuwei erjingqundao
5	1.97		id0091	meishuwei erjingqundao
6	1.9		id0116	tulineda hutabaga
7	0.65		id0076	xianggang
8	1.68		id0115	duominiya gongheguo
9	1.66		id0190	meishudongsamoya
10	1.39		id0104	kusu dahligha
Note 1: Duration time is in seconds.				
—continued—				

Mndrn23 voice file contents for virtual card 19 (continued)

Phrase ID	Total duration	Duration	Phrase name	Content
11	0.91		id0139	a'erbaniya
12	0.91		id0183	nansilafu
13	0.9		id0105	Colombia
14	0.9		id0146	wuzibieke
15	0.89		id0114	duominiya
16	0.88		id0147	aishaniya
17	0.86		id0036	xiaoshi
18	0.86		id0123	babaduosi
19	0.85		id0063	xinjiapo
20	0.84		id0013	shi-yi
21	0.39		id0004	er
22	0.45		id0129	milu
23	0.83		id0072	dongdiwen
24	0.83		id0130	boliweiya
25	0.82		id0159	xibanya
26	0.81		id0027	qi-shi
27	0.8		id0154	keluodiya
28	0.79		id0188	lusenbao
29	0.78		id0169	xiongyali
30	0.78		id0175	bilishi
31	0.76		id0021	shi-jiu
32	0.75		id0167	tu'erqi
33	0.75		id0192	weikedao
34	0.74		id0156	jianpuzhai
Note 1: Duration time is in seconds.				
—continued—				

Mndrn23 voice file contents for virtual card 19 (continued)

Phrase ID	Total duration	Duration	Phrase name	Content
35	0.61		id0157	ruishi
36	0.4		id0002	yi
Note 1: Duration time is in seconds.				
—end—				

Voice file name mndrn45

The following tables list the phrase IDs and content (silences, phrases or tones).

Mndrn45 voice file contents for virtual card 20

Phrase ID	Total duration	Duration	Phrase name	Content
4	0.74		id0145	wukelan
5	0.73		id0015	shi-san
6	0.73		id0024	si-shi
7	0.73		id0029	jiu-shi
8	0.73		id0068	nibo'er
9	0.72		id0014	shi-er
10	0.72		id0067	zhongguo
11	0.72		id0141	andao'er
12	0.72		id0193	aodaliya
13	0.71		id0073	feilubin
14	0.71		id0083	libanen
15	0.71		id0093	wulagui
16	0.71		id0144	fandigang
17	0.7		id0136	aierlan
Note 1: Duration time is in seconds.				
—continued—				

Mndrn45 voice file contents for virtual card 20 (continued)

Phrase ID	Total duration	Duration	Phrase name	Content
18	0.7		id0178	ma'erta
19	0.7		id0182	maqিদun
20	0.7		id0189	elusi
21	0.69		id0003	liang
22	0.69		id0047	yiseli
23	0.69		id0065	taiguo
24	0.69		id0079	miandian
25	0.69		id0087	aluba
26	0.69		id0098	jianada
27	0.69		id00119	banama
28	0.67		id0061	yuedan
29	0.67		id0084	meiguo
30	0.67		id0097	guiyana
31	0.66		id0012	shi
32	0.66		id00152	gelinglan
33	0.66		id0172	faguo
34	0.66		id0185	litaowan
35	0.65		id0075	wenlai
36	0.64		id0171	fenlan
37	0.63		id0022	er-shi
38	0.63		id0044	afuhan
39	0.63		id0054	kata'er
40	0.63		id0081	menggu
41	0.63		id0142	yingguo
42	0.62		id0062	xuliya
43	0.62		id0066	taiwan
Note 1: Duration time is in seconds.				
—continued—				

Mndrn45 voice file contents for virtual card 20 (continued)

Phrase ID	Total duration	Duration	Phrase name	Content
44	0.62		id0077	aomen
45	0.61		id0046	yemen
46	0.6		id0057	chaoxian
47	0.6		id0070	balin
48	0.59		id0158	ruidian
49	0.54		id0176	bolan
50	0.5		id0053	a man
Note 1: Duration time is in seconds.				
—end—				

Mndrn45 voice file contents for virtual card 21

Phrase ID	Total duration	Duration	Phrase name	Contents
4	0.64		id0082	laowo
5	2.15		id0096	heshu'andiliesi qundao
6	0.59		id0118	haidi
7	0.78		id0140	yamingya
8	1.05		id0162	tajike setan
9	0.91		id0194	kiribasa
10	0.75		id0197	shengdandao
11	0.98		id0205	xisamoya
12	1.62		id0209	babuyaxinjineiya
13	1.66		id0213	fashubolinixiya
14	0.77		id0217	asensong
15	0.94		id0218	a'erjiliya
Note 1: Duration time is in seconds.				
—continued—				

Mndrn45 voice file contents for virtual card 21 (continued)

Phrase ID	Total duration	Duration	Phrase name	Contents
16	0.74		id0220	wuganda
17	0.67		id0228	kamailong
18	0.74		id0229	gangbiya
19	0.67		id0230	jineiya
20	1.1		id0231	jineiyabishao
21	1.04		id0233	katadeevah
22	0.77		id0236	zhayi'er
23	2.26		id0237	shengduomei he pulinxibi
24	0.77		id0240	jibuti
25	0.99		id0241	jinbabuwei
26	1.04		id0244	siweishilan
27	0.71		id0245	saishe'er
28	0.96		id0250	tansangniya
29	0.78		id0253	tunisi
30	1.07		id0262	bociwana
31	0.99		id0268	maoliquisi
32	0.8		id0273	libiliya
33	0.75		id0274	luwangda
34	0.96		id0276	liuniwangdao
35	0.75		id0278	UK
Note 1: Duration time is in seconds.				
—end—				

Voice file name mndrn67

The following tables list the phrase IDs and content (silences, phrases or tones).

Mdrn67 voice file contents for virtual card 22

Phrase ID	Total duration	Duration	Phrase name	Content
4	0.42		id0033	quian
5	1.25		id0127	fashu guiyana
6	1.19		id0166	tukuman setan
7	1.37		id0198	kuku cheeling chundao
8	1.16		id0200	suoluomen qundao
9	1.43		id0206	xinkeliduoniya
10	0.88		id0208	nuofukedao
11	1.13		id0214	mashao'er qundao
12	1.41		id0215	mikeluonixiya
13	0.83		id0216	chungtodao
14	1.15		id0222	aisai'ebiya
15	1.14		id0223	weiliteliya
16	0.87		id0225	fodejiao
17	1.13		id0226	jianaliqundao
18	0.87		id0239	sailali'ang
19	1.32		id0243	xishubeifei
20	1.19		id0246	chidaojineiya
21	0.87		id0247	saineijia'er
22	1.22		id0248	shenghelena
23	1.5		id0252	zhongfei gunhagoa
24	0.83		id0256	namibiya
25	0.91		id0258	xisahala
26	1.15		id0259	bujina faso
Note 1: Duration time is in seconds.				
—continued—				

Mdrn67 voice file contents for virtual card 22 (continued)

Phrase ID	Total duration	Duration	Phrase name	Content
27	1.31		id0263	madajiasijia
28	0.48		id0266	mali
29	1.2		id0269	maolitaniya
30	1.16		id0270	mosangbike
31	0.83		id0275	laisuotuo
32	1.2		id0277	USA
Note 1: Duration time is in seconds.				
—end—				

Mndrn67 voice file contents for virtual card 23

Phrase ID	Total duration	Duration	Phrase name	Content
4	0.46		id0006	si
5	0.51		id0009	qi
6	0.38		id0010	ba
7	0.53		id0018	shi-liu
8	0.65		id0025	wu-shi
9	0.46		id0032	bai
10	0.47		id0034	wan
11	0.47		id0040	yuan
12	0.62		id0052	yuenan
13	0.65		id0122	balagui
14	0.52		id0126	baxi
15	0.69		id0128	bolizi
16	0.55		id0135	bingdao
Note 1: Duration time is in seconds.				
—continued—				

Mndrn67 voice file contents for virtual card 23 (continued)

Phrase ID	Total duration	Duration	Phrase name	Content
17	0.56		id0143	yidali
18	0.55		id0149	helan
19	0.57		id0163	jieke
20	0.54		id0165	deguo
21	0.57		id0177	putaoya
22	0.66		id0179	monage
23	0.54		id0195	guandao
24	0.72		id0199	saibandao
25	0.71		id0201	tuwalu
26	0.65		id0202	tangjia
27	0.51		id0203	naolu
28	0.57		id0204	niu'ai
29	0.8		id0204	xinxilan
30	0.59		id0210	palao
31	0.73		id0211	xiaweiyi
32	0.51		id0212	feiji
33	0.66		id0219	angela
34	0.66		id0221	aiji
35	0.5		id0224	jiana
36	0.64		id0227	jiapeng
37	0.7		id0232	kenniya
38	0.74		id0234	kemoluo
39	0.58		id0235	gangguo
40	0.67		id0238	zanbiya
41	0.54		id0242	sudan
42	0.57		id0249	suomali
Note 1: Duration time is in seconds.				
—continued—				

Mndrn67 voice file contents for virtual card 23 (continued)

Phrase ID	Total duration	Duration	Phrase name	Content
43	0.59		id0251	zhade
44	0.62		id0254	duoge
45	0.8		id0255	niriliya
46	0.69		id0257	niri'er
47	0.67		id0260	bulongdi
48	0.54		id0261	beining
49	0.69		id0264	madela
50	0.74		id0265	malawei
51	0.7		id0267	nan fei
52	0.72		id0271	moluoge
53	0.66		id0272	libiya
54	0.83		id0279	alianchuo
Note 1: Duration time is in seconds.				
—end—				

Portuguese announcements

This section consists of the following voice file names:

- prtugs01
- prtugs23
- prtugs45
- prtugs67
- prtugs89
- prtugs10

Voice file name prtugs01

The following tables list the phrase IDs and content (silences, phrases or tones).

Prtugs01 voice file contents for virtual card 16

Phrase ID	Total duration	Duration	Phrase name	Content
4	5.92		id1200	Aqui e a IDC. A chamada internacional que acaba de ser feita teve a duracao de
5	0.56		id1201	horas
6	0.78		id1202	minutos
7	0.23		id1203	e
8	0.84		id1204	segundos
9	0.32		id1205	hora
10	0.6		id1206	minuto
11	0.68		id1207	segundo
12	0.78		id1208	e custou
13	0.45		id1209	iene
14	0.71		id1210	ienes
15	0.94		id1211	Repetimos
16	1.44		id1212	a chamada foi para:
Note 1: Duration time is in seconds.				
—continued—				

Prtugs01 voice file contents for virtual card 16 (continued)

Phrase ID	Total duration	Duration	Phrase name	Content
17	4.81		id1213	Agradecemos por utilizar a IDC. Isto e uma gravacao.
18	0.43		id1214	zero
19	0.3		id1215	um
20	0.69		id1216	dois
21	0.68		id1217	tres
22	0.69		id1218	quatro
23	0.59		id1219	cinco
24	0.71		id1220	seis
25	0.61		id1221	sete
26	0.54		id1222	oito
27	0.6		id1223	nove
28	0.57		id1224	dez
29	0.57		id1225	onze
30	0.53		id1226	doze
31	0.55		id1227	treze
32	0.79		id1228	quatorze
33	0.53		id1229	quinze
34	1.19		id1230	dezesseis
35	1.03		id1231	dezessete
36	0.74		iid1273	milhoa
Note 1: Duration time is in seconds.				
—end—				

Prtugs01 voice file contents for virtual card 17

Phrase ID	Total duration	Duration	Phrase name	Content
4	0.81		id1232	dezoito
5	0.93		id1233	dezenove
6	0.58		id1234	vinte
7	0.95		id1235	vinte e
8	0.52		id1236	trinta
9	0.76		id1237	trinta e
10	0.78		id1238	quarenta
11	0.99		id1239	quarenta e
12	0.94		id1240	cinquenta
13	1.27		id1241	cinquenta e
14	0.85		id1242	sessenta
15	1.14		id1243	sessenta e
16	0.92		id1244	setenta
17	1.05		id1245	setenta e
18	0.84		id1246	oitenta
19	1.1		id1247	oitenta e
20	0.75		id1248	noventa
21	1.03		id1249	noventa e
22	0.48		id1250	cem
23	0.55		id1251	cemto
24	0.89		id1252	cemto e
25	0.97		id1253	duzentos
26	1.09		id1254	duzentos e
27	1		id1255	trezentos
28	1.23		id1256	trezentos e
29	1.18		id1257	quatrocentos
Note 1: Duration time is in seconds.				
—continued—				

Prtugs01 voice file contents for virtual card 17 (continued)

Phrase ID	Total duration	Duration	Phrase name	Content
30	1.4		id1258	quatrocentos e
31	1.07		id1259	quinhentos
32	1.3		id1260	quinhentos e
33	1.19		id1261	seiscentos
34	1.38		id1262	seiscentos e
35	0.52		id1269	mil
36	0.93		id1276	milhoes
Note 1: Duration time is in seconds.				
—end—				

Voice file name prtugs23

The following tables list the phrase IDs and content (silences, phrases or tones).

Prtugs23 voice file contents for virtual card 18

Phrase ID	Total duration	Duration	Phrase name	Content
4	1.48		id1263	setecentos
5	1.69		id1264	setecentos e
6	1.12		id1265	oitocentos
7	1.33		id1266	oitocentos e
8	1.29		id1267	novecentos
9	1.36		id1268	novecentos e
10	0.97		id1270	mil e
11	1.25		id1271	milhao de
12	1.09		id1272	milhao e
Note 1: Duration time is in seconds.				
—continued—				

Prtugs23 voice file contents for virtual card 18 (continued)

Phrase ID	Total duration	Duration	Phrase name	Content
13	1.2		id1274	milhoes de
14	1.29		id1275	milhoes e
15	0.3		id1277	de
16	0.39		id1278	uma
17	0.85		id1279	duas
18	1.05		id1280	duzentas
19	1.15		id1281	Afeganistao
20	2.08		id1282	Emirados Arabes Unidos
21	0.87		id1284	Ishiel
22	0.64		id1285	Iraque
23	0.48		id1286	Edon
24	0.53		id1287	India
25	1.05		id1288	Indonesia
26	0.95		id1289	Vietna
27	0.45		id1290	Oma
28	0.61		id1291	Catar
29	0.74		id1292	Coreia
30	0.7		id1293	Camboja
31	0.69		id1294	Coreia
32	0.68		id1295	Kuweit
33	1.27		id1297	Arabia Saudita
34	0.8		id1298	Jordania
35	1.05		id1308	Bangladesh
Note 1: Duration time is in seconds.				
—end—				

Prtugs23 voice file contents for virtual card 19

Phrase ID	Phrase name	Duration	Phrase name	Content
4	0.65		id1299	Siria
5	0.83		id1300	Cingapura
6	0.85		id1301	Sri Lanka
7	0.79		id1302	Tailandia
8	0.64		id1303	Taiwan
9	0.6		id1304	China
10	0.72		id1305	Nepal
11	0.79		id1306	Paquistao
12	0.63		id1307	Barein
13	1.06		id1310	Filipinas
14	0.8		id1311	Butao
15	0.68		id1312	Brunei
16	0.8		id1313	Hong Kong
17	0.77		id1314	Macau
18	0.91		id1315	Malasia
19	0.79		id1316	Mianma
20	0.98		id1317	Maldivas
21	0.82		id1318	Mongolia
22	0.71		id1319	Laos
23	0.62		id1320	Libano
24	1.61		id1321	Estados Unidos
25	0.79		id1322	Alasca
26	0.9		id1323	Argentina
27	0.72		id1325	Anguilla
28	2.27		id1327	Ilhas Virgens Britanicas
29	1.15		id1340	Ilhas Cayman
Note 1: Duration time is in seconds.				
—continued—				

Prtugs23 voice file contents for virtual card 19 (continued)

Phrase ID	Phrase name	Duration	Phrase name	Content
30	1.03		id1392	San Marino
31	0.88		id1329	Venezuela
32	0.68		id1330	Uruguai
33	0.84		id1331	Ecuador
34	1.14		id1332	El Salvador
35	0.63		id1335	Canada
36	0.39		id1336	Cuba
37	0.87		id1337	Guatemala
38	0.77		id1339	Granada
39	0.44		id1350	Chile
40	0.84		id1357	Bahamas
Note 1: Duration time is in seconds.				
—end—				

Voice file name prtugs45

The following tables list the phrase IDs and content (silences, phrases or tones).

Prtugs45 voice file contents for virtual card 20

Phrase ID	Total duration	Duration	Phrase name	Content
4	1.18		id1379	Reino Unido
5	0.89		id1341	Costa Rica
6	0.71		id1342	Colombia
7	0.81		id1344	Jamaica
8	0.73		id1345	Suriname
Note 1: Duration time is in seconds.				
—continued—				

Prtugs45 voice file contents for virtual card 20 (continued)

Phrase ID	Total duration	Duration	Phrase name	Content
9	0.97		id1348	Santa Lucia
10	0.83		id1351	Dominica
11	1.76		id1352	Republica Dominicana
12	1.86		id1353	Trinidad e Tobago
13	0.84		id1354	Nicaragua
14	0.62		id1355	Haiti
15	0.59		id1356	Panama
16	0.89		id1358	Bermudas
17	0.68		id1359	Paraguai
18	0.9		id1361	Porto Rico
19	0.65		id1363	Brasil
20	1.39		id1364	Guiana Francesa
21	0.43		id1366	Peru
22	0.71		id1367	Bolivia
23	0.82		id1368	Honduras
24	0.87		id1369	Martinica
25	0.64		id1370	Mexico
26	0.82		id1371	Montserrat
27	0.82		id1372	Islandia
28	0.78		id1373	Irlanda
29	0.73		id1377	Armenia
30	0.67		id1378	Andorra
31	0.72		id1380	Italia
32	0.89		id1382	Vaticano
33	0.75		id1384	Ucrania
34	0.87		id1385	Estonia
Note 1: Duration time is in seconds.				
—continued—				

Prtugs45 voice file contents for virtual card 20 (continued)

Phrase ID	Total duration	Duration	Phrase name	Content
35	0.68		id1386	Austria
36	0.71		id1388	Holanda
37	0.68		id1390	Grecia
38	0.85		id1391	Georgia
39	0.85		id1391	Croacia
40	0.79		id1394	Suica
Note 1: Duration time is in seconds.				
—end—				

Prtugs45 voice file contents for virtual card 21

Phrase ID	Total Duratin	Duration	Phrase name	Content
4	0.8		id1395	Suecia
5	0.78		id1396	Espanha
6	1.08		id1397	Eslovaquia
7	1.01		id1398	Eslovenia
8	1.42		id1400	Republica Tcheca
9	0.88		id1401	Dinamarca
10	0.8		id1402	Alemanha
11	0.92		id1404	Turquia
12	0.92		id1405	Noruega
13	0.82		id1406	Hungria
14	0.97		id1408	Finlandia
15	0.71		id1409	Franca
16	0.89		id1410	Bulgaria
Note 1: Duration time is in seconds.				
—continued—				

Prtugs45 voice file contents for virtual card 21 (continued)

Phrase ID	Total Duratin	Duration	Phrase name	Content
17	0.93		id1412	Belgica
18	0.78		id1413	Polonia
19	0.9		id1414	Portugal
20	0.78		id1415	Malta
21	0.73		id1416	Monaco
22	2.52		id1418	Bosnia–Herzegovina
23	1.12		id1420	Yugoslavia
24	1.02		id1421	Letonia
25	1.05		id1422	Lituania
26	1.44		id1423	Liechtenstein
27	0.95		id1424	Romenia
28	1.05		id1425	Luxemburgo
29	0.81		id1426	Russia
30	1.18		id1429	Ilha Wake
31	0.99		id1430	Australia
32	0.54		id1432	Guam
33	1.17		id1433	Ilhas Cook
34	1.42		id1504	Africa do Sul
Note 1: Duration time is in seconds.				
—end—				

Voice file name prtgs67

The following tables list the phrase IDs and content (silences, phrases or tones).

Prtugs67 voice file contents for virtual card 22

Phrase ID	Total duration	Duration	Phrase name	Content
4	1.23		id1434	Ilhas Christmas
5	1.33		id1435	Ilhas Cocos
6	0.78		id1436	Saipan
7	1.31		id1437	Ilhas Salomao
8	0.53		id1439	Tonga
9	1.92		id1442	Samoa Ocidental
10	1.42		id1443	Nova Caledonia
11	1.69		id1444	Nova Zelandia
12	1.65		id1445	Ilha Norfolk
13	1.64		id1446	Papua Nova Guine
14	0.7		id1447	Palau
15	0.68		id1448	Havai
16	0.57		id1449	Fiji
17	1.73		id1450	Polinesia Francesa
18	1.49		id1451	Ilhas Marshall
19	1.15		id1452	Micronesia
20	0.85		id1455	Argelia
21	0.75		id1456	Angola
22	0.77		id1457	Uganda
23	0.74		id1458	Egito
24	1.04		id1459	Etiopia
25	0.59		id1461	Gana
26	1.64		id1463	Ilhas Canarias

Note 1: Duration time is in seconds.

—continued—

Prtugs67 voice file contents for virtual card 22 (continued)

Phrase ID	Total duration	Duration	Phrase name	Content
27	0.92		id1465	Cameroes
28	0.58		id1467	Guine
29	0.66		id1469	Quenia
30	1.4		id1470	Costa do Marfim
31	0.71		id1473	Ziedi
32	0.93		id1477	Djibuti
Note 1: Duration time is in seconds.				
—end—				

Prtugs67 voice file contents for virtual card 23

Phrase ID	Total duration	Duration	Phrase name	Content
4	0.72		id1475	Zambia
5	1		id1478	Zimbabue
6	0.7		id1479	Sudao
7	2.07		id1480	Africa do Norte Espanhola
8	1.69		id14	Guine–Equatorial
9	0.86		id1484	Senegal
10	0.87		id1486	Somalia
11	0.84		id1487	Tanzania
12	0.82		id1490	Tunisia
13	0.77		id1492	Nigeria
14	0.88		id1493	Namibia
15	0.74		id1502	Malavi
16	0.96		id1505	Mauricio
Note 1: Duration time is in seconds.				
—continued—				

Prtugs67 voice file contents for virtual card 23 (continued)

Phrase ID	Total duration	Duration	Phrase name	Content
17	1.08		id1507	Mocambique
18	1.04		id1508	Marrocos
19	0.67		id1509	Libia
20	0.91		id1510	Liberia
21	0.97		id1511	Ruanda
22	1.93		id1514	Estados Unidos da America
23	0.93		id1515	Inglaterra
24	2.21		id1516	Emirados Arabes Unidos
25	1.42		id1517	Coreia do Norte
26	1.44		id1518	Coreia do Sul
27	2.19		id1519	Ilhas Virgens Americana
28	1.23		id1520	Uzbequistao
29	1.26		id1521	Cazaquistao
30	1.1		id1522	Groenlandia
Note 1: Duration time is in seconds.				
—end—				

Voice file name prtugs89

The following tables list the phrase IDs and content (silences, phrases or tones).

Prtugs89 voice file contents for virtual card 24

Phrase ID	Total duration	Duration	Phrase name	Content
4	0.74		id1283	Lemen
5	0.57		id1296	Chipre
Note 1: Duration time is in seconds.				
—continued—				

Prtugs89 voice file contents for virtual card 24 (continued)

Phrase ID	Total duration	Duration	Phrase name	Content
6	1.21		id1374	Azerbaijao
7	1.3		id1375	Ilhas Acores
8	0.81		id1376	Albania
9	1		id1393	Gibraltar
10	1.18		id1399	Tadjiquistao
11	1.09		id1403	Turcomenia
12	1.23		id1407	Ilhas Faroe
13	1.33		id1411	Bielorrussia
14	1.01		id1417	Moldavia
15	0.94		id1454	Ascensao
16	1.1		id1460	Eritreia
17	1.02		id1462	Cabo Verde
18	0.83		id1464	Gabao
19	0.74		id1466	Gambia
20	1.15		id1468	Guine-Bissau
21	1.38		id1471	Ilhas Comores
22	0.56		id1472	Congo
23	1.89		id1474	Sao Tome e Principe
24	1.23		id1476	Serra Leoa
25	1.35		id1481	Suazilandia
26	1.06		id1482	Seychelles
27	1.24		id1485	Santa Helena
28	0.59		id1488	Chade
29	2.09		id1489	Republica Centro-Africana
30	0.56		id1491	Togo
Note 1: Duration time is in seconds.				
—continued—				

Prtugs89 voice file contents for virtual card 24 (continued)

Phrase ID	Total duration	Duration	Phrase name	Content
31	1.08		id1500	Madagascar
32	1.12		id1513	Reuniao
Note 1: Duration time is in seconds.				
—end—				

Prtugs89 voice file contents for virtual card 25

Phrase ID	Total duration	Duration	Phrase name	Content
4	0.63		id1309	Timor
5	0.58		id1324	Aruba
6	1.9		id1333	Antilhas Holandesas
7	0.81		id1334	Guiana
8	0.81		id1338	Guadalupe
9	2.32		id1343	Saint–Pierre e Miquelon
10	2.45		id1346	Sao Vicente e Granad
11	2.22		id1347	Sao Cristovao e Nevis
12	2.16		id1349	Ilhas Turks e Caicos
13	0.98		id1360	Barbados
14	1.67		id1362	Ilhas Malvinas
15	1.15		id1419	Macedonia
16	1.82		id1427	Samoa Americana
17	1.08		id1428	Vanuatu
18	0.87		id1431	Kiribati
19	1.64		id1453	Ilhas Midway
20	1.7		id1495	Saara Ocidental
Note 1: Duration time is in seconds.				
—continued—				

Prtugs89 voice file contents for virtual card 25 (continued)

Phrase ID	Total duration	Duration	Phrase name	Content
21	0.8		id1496	Burkina
22	0.81		id1497	Burundi
23	0.81		id1498	Benin
24	0.98		id1499	Botsuana
25	1.26		id1501	Ilhas da Madeira
26	1.09		id1506	Mauritania
27	0.86		id1512	Lesoto
Note 1: Duration time is in seconds.				
—end—				

Voice file name prtugs10

The following tables list the phrase IDs and content (silences, phrases or tones).

Prtugs10 voice file contents for virtual card 16

Phrase ID	Total duration	Duration	Phrase name	Content
4	0.66		id1326	Antigua
5	0.72		id1365	Belize
6	0.75		id1438	Tuvalu
7	0.73		id1440	Nauru
8	0.67		id1441	Niue
Note 1: Duration time is in seconds.				
—continued—				

Prtugs10 voice file contents for virtual card 16 (continued)

Phrase ID	Total duration	Duration	Phrase name	Content
9	0.75		id1494	Niger
10	0.61		id1503	Mali
Note 1: Duration time is in seconds.				
—end—				

Spanish announcements

This section consists of the following voice file names:

- spansh01
- spansh23
- spansh45
- spansh67
- spansh8

Voice file name spansh01

The following tables list the phrase IDs and content (silences, phrases or tones).

Spansh01 voice file contents for virtual card 16

Phrase ID	Total duration	Duration	Phrase name	Content
4	4.77		id1600	Habla IDC. La llamada internacional que acaba de realizar duro
5	0.53		id1601	horas
6	0.77		id1602	minutos
7	0.85		id1603	segundos
8	0.46		id1604	hora
9	0.55		id1605	minuto
10	0.67		id1606	segundo
11	1.01		id1607	de duracion
12	0.65		id1608	yenes
13	0.4		id1609	yen
14	0.84		id1610	Repetimos
15	1.43		id1611	y el importe es de
16	0.66		id1612	al numero
17	3.87		id1613	Gracias por usar IDC. Esta es una grabacion.
Note: Duration time is in seconds.				
—continued—				

Spansh01 voice file contents for virtual card 16 (continued)

Phrase ID	Total duration	Duration	Phrase name	Content
18	0.48		id1614	cero
19	0.4		id1615	uno
20	0.47		id1616	dos
21	0.39		id1617	tres
22	0.42		id1618	cuatro
23	0.52		id1619	cinco
24	0.49		id1620	seis
25	0.54		id1621	siete
26	0.4		id1622	ocho
27	0.46		id1623	nueve
28	0.39		id1624	un
29	0.41		id1625	diez
30	0.55		id1626	once
31	0.51		id1627	doce
32	0.44		id1628	trece
33	0.66		id1629	catorce
34	0.55		id1630	quince
35	0.84		id1631	dieciseis
36	0.83		id1632	diecisiete
37	0.69		id1633	dieicocho
38	0.68		id1634	diecinueve
39	0.48		id1635	veinte
40	0.69		id1636	veintiun
41	1.19		id1637	i
Note: Duration time is in seconds.				
—continued—				

Spansh01 voice file contents for virtual card 16 (continued)

Phrase ID	Total duration	Duration	Phrase name	Content
42	1.6		id1638	ochenta
43	0.86		id1639	milliones de
Note: Duration time is in seconds.				
—end—				

Spansh01 voice file contents for virtual card 17

Phrase ID	Total duration	Duration	Phrase name	Content
4	0.54		id1637	treinta
5	0.6		id1639	treinta i
6	0.58		id1640	cuarenta
7	0.71		id1641	cuarenta i
8	0.76		id1642	cincuenta
9	0.9		id1643	cincuenta i
10	0.64		id1644	sesenta
11	0.87		id1645	sesenta i
12	0.72		id1646	setenta
13	0.89		id1647	setenta i
14	0.78		id1649	ochenta i
15	0.58		id1650	noventa
16	0.89		id1651	noventa i
17	0.37		id1652	cien
18	0.62		id1653	ciento
19	0.87		id1654	doscientos
20	0.83		id1655	trescientos
Note: Duration time is in seconds.				
—continued—				

Spansh01 voice file contents for virtual card 17 (continued)

Phrase ID	Total duration	Duration	Phrase name	Content
21	0.97		id1656	cuatrocientos
22	0.82		id1657	quinientos
23	1		id1658	seiscientos
24	1.13		id165	setecientos
25	0.96		id1660	ochocientos
26	1.08		id1661	novecientos
27	0.38		id1662	mil
28	0.68		id1663	million de
29	0.78		id1664	veintidos
30	1.04		id1666	veinticuatro
31	0.99		id1667	veinticinco
32	0.98		id1668	veintiseis
33	0.93		id1669	veintisiete
34	0.93		id1670	veintiocho
35	0.9		id1671	veintinueve
36	0.47		id1672	million
37	0.66		id1674	milliones
38	0.35		id1675	una
39	0.35		id1665	veintitres
40	0.83		id1677	Afganistn
41	1.63		id1678	Emiratos Arabes Unidos
42	0.89		id1757	Puerto Rico
Note: Duration time is in seconds.				
—end—				

Voice file name spansh23

The following tables list the phrase IDs and content (silences, phrases or tones).

Spansh23 voice file contents for virtual card 18

Phrase ID	Total duration	Duration	Phrase name	Content
4	0.49		id1679	Yemen
5	0.76		id1680	Israel
6	0.47		id1681	Irak
7	0.43		id1682	Iran
8	0.52		id1683	India
9	0.84		id1684	Indonesia
10	0.7		id1685	Vietnam
11	0.47		id1686	Oman
12	0.45		id1687	Catar
13	0.47		id1688	Corea
14	0.59		id1689	Cambodia
15	0.49		id1690	Corea
16	0.64		id1691	Kuwait
17	0.49		id1692	Chipre
18	1.15		id1693	Arabia Saudita
19	0.77		id1694	Jordania
20	0.62		id1695	Siria
21	0.79		id1696	Singapur
22	0.9		id1697	Sri Lanka
23	0.73		id1698	Tailandia
24	0.51		id1699	Taiwan
25	0.39		id1700	China
26	0.62		id1701	Nepal
27	0.74		id1702	Paquistan
—continued—				

Spansh23 voice file contents for virtual card 18 (continued)

Phrase ID	Total duration	Duration	Phrase name	Content
28	0.55		id1703	Barein
29	0.79		id1704	Bangladesh
30	1.06		id1705	Timor del Este
31	0.87		id1706	Filipinas
32	0.52		id1707	Butan
33	0.59		id1708	Brunei
34	0.71		id1709	Hong Kong
35	0.55		id1710	Macao
36	0.69		id1711	Malasia
37	0.73		id1712	Mianmar
38	0.72		id1713	Maldivas
39	0.73		id1714	Mongolia
40	0.59		id1715	Laos
41	0.62		id1716	Libano
42	1.62		id1717	Estados Unidos de America
43	0.68		id1718	Alaska
44	0.88		id1719	Argentina
45	0.55		id1720	Aruba
46	0.63		id1721	Anguila
47	1.37		id1722	Antigua y Barbuda
48	0.92		id1728	El Salvador
—end—				

Spansh23 voice file contents for virtual card 19

Phrase ID	Total duration	Duration	Phrase name	Content
4	1.74		id1723	Islas Virgenes Inglesas
5	1.69		id1724	Islas Virgenes Americanas
6	0.82		id1725	Venezuela
7	0.72		id1726	Uruguay
8	0.65		id1727	Ecuador
9	1.37		id1729	Antillas Holandesas
10	0.55		id1730	Guyana
11	0.39		id1731	Canada
12	0.41		id1732	Cuba
13	0.65		id1733	Guatemala
14	0.71		id1734	Guadelupe
15	0.6		id1735	Granada
16	1.03		id1736	Islas Caiman
17	0.87		id1737	Costarica
18	0.67		id1738	Colombia
19	1.42		id1739	San Pierre y Miquelon
20	0.78		id1740	Jamaica
21	0.73		id1741	Surinam
22	1.99		id1742	San Vicente y las Granadinas
23	1.62		id1743	San Cristopher y Nevis
24	1.01		id1744	Santa Lucia
25	1.69		id1745	Islas Turcas y Caicos
26	0.39		id1746	Chile
27	0.7		id1747	Dominica
28	1.42		id1748	Republica Dominicana
29	1.26		id1749	Trinidad y Tobago
Note 1: Duration time is in seconds.				
—continued—				

Spansh23 voice file contents for virtual card 19 (continued)

Phrase ID	Total duration	Duration	Phrase name	Content
30	0.73		id1750	Nicaragua
31	0.43		id1751	Haiti
32	0.49		id1752	Panama
33	0.74		id1753	Bahamas
34	0.66		id1754	Bermuda
35	0.77		id1756	Barbados
36	0.63		id1774	Andorra
37	1.07		id1775	Reino Unido
Note 1: Duration time is in seconds.				
—end—				

Voice file name spansh45

The following tables list the phrase IDs and content (silences, phrases or tones).

Spansh45 voice file contents for virtual card 20 (continued)

Phrase ID	Total duration	Duration	Phrase name	Content
4	0.62		ide1915	Paraguay
5	1.18		ide1916	Islas Malivinas
6	0.6		ide1917	Brasil
7	1.16		ide1918	Guyana Francesa
8	0.59		ide1919	Belize
9	0.31		ide1920	Peru
10	0.61		ide1921	Bolivia
11	0.75		ide1922	Honduras
Note 1: Duration time is in seconds.				
—continued—				

Spansh45 voice file contents for virtual card 20 (continued)

Phrase ID	Total duration	Duration	Phrase name	Content
12	0.71		ide1923	Martinica
13	0.52		ide1924	Mexico
14	0.83		ide1925	Montserrat
15	0.71		ide1926	Islandia
16	0.67		ide1927	Islanda
17	1.2		ide1928	Azaerbalocidjan
18	1.23		ide1929	Islas Azores
19	0.72		ide1930	Albania
20	0.67		ide1931	Armenia
21	0.6		ide1932	Italia
22	0.67		ide1933	Vaticano
23	0.74		ide1934	Ucrania
24	0.91		ide1935	Uzbekistan
25	0.74		ide1936	Estonia
26	0.71		ide1937	Austria
27	0.62		ide1938	Holanda
28	0.86		ide1939	Kazakhstan
29	0.6		ide1940	Grecia
30	0.98		ide1941	Groenlandia
31	0.73		ide1942	Georgia
32	0.79		ide1943	Croacia
33	0.9		ide1944	San Marino
34	0.86		ide1945	Gibraltar
35	0.64		ide1946	Suiza
36	0.68		ide1947	Suecia
37	0.58		ide1948	Espana
Note 1: Duration time is in seconds.				
—continued—				

Spansh45 voice file contents for virtual card 20 (continued)

Phrase ID	Total duration	Duration	Phrase name	Content
38	0.85		ide1949	Eslovakia
39	0.81		ide1950	Eslovenia
40	0.9		id1795	Tadzikistan
41	1.11		id1796	Republica Checa
42	0.77		id1797	Dinamarca
43	0.66		id1798	Alemania
44	0.61		id1844	Hawai
Note 1: Duration time is in seconds.				
—end—				

Spansh45 voice file contents for virtual card 21

Phrase ID	Total duration	Duration	Phrase name	Content
4	1.07		id1799	Turkmenistan
5	0.62		id1800	Turquia
6	0.71		id1801	Noruega
7	0.62		id1802	Hungria
8	1.06		id1803	Islas Feroe
9	0.92		id1804	Finlandia
10	0.67		id1805	Francia
11	0.78		id1806	Bulgaria
12	0.77		id1807	Belarus
13	0.72		id1808	Belgica
14	0.63		id1809	Polonia
15	0.87		id1810	Portugal
Note 1: Duration time is in seconds.				
—continued—				

Spansh45 voice file contents for virtual card 21 (continued)

Phrase ID	Total duration	Duration	Phrase name	Content
16	0.48		id1811	Malta
17	0.58		id1812	Monaco
18	0.64		id1813	Moldova
19	1.6		id1814	Bosnia y Herzegovina
20	0.95		id1815	Macedonia
21	1.02		id1816	Yugoslavia
22	0.71		id1817	Lativa
23	0.87		id1818	Lituania
24	1.11		id1819	Liechtenstein
25	0.79		id1820	Rumania
26	1		id1821	Lexemburgo
27	0.58		id1822	Brusia
28	1.33		id1823	Samoa Americana
29	0.77		id1824	Vanuatu
30	1.01		id1825	Islas Wake
31	0.91		id1826	Australia
32	0.69		id1827	Kiribati
33	0.44		id1828	Guam
34	0.88		id1829	Islas Cook
35	1.17		id1830	Isla de Pascua
36	1.57		id1831	Islas CocosKeeling
37	0.78		id1832	Saipan
38	1.26		id1833	Islas Salomon
39	0.82		id1882	Somalia
Note 1: Duration time is in seconds.				
—end—				

Voice file name spansh67

The following tables list the phrase IDs and content (silences, phrases or tones).

Spansh67 voice file contents for virtual card 22

Phrase ID	Total duration	Duration	Phrase name	Content
4	0.45		id1834	Tuvalu
5	0.56		id1835	Tonga
6	0.54		id1836	Nauru
7	0.58		id1837	Niue
8	1.58		id1838	Samoa Occidental
9	1.15		id1839	Nueva Caledonia
10	1.12		id1840	Nueva Zelandia
11	1.31		id1841	Islas Norfork
12	1.39		id1842	Papua Nueva Guinea
13	0.52		id1843	Palau
14	0.43		id1845	Fiji
15	1.33		id1846	Polinesia Francesa
16	1.14		id1847	Islas Marshall
17	0.94		id1848	Micronesia
18	0.69		id1849	Midway
19	0.68		id1851	Argelia
20	0.56		id1852	Angola
21	0.61		id1853	Uganda
22	0.61		id1854	Egipto
23	0.79		id1855	Etiopia
24	0.36		id1857	Gana
25	1.28		id1859	Islas Canarias
26	0.57		id1861	Camerun
Note 1: Duration time is in seconds.				
—continued—				

Spansh67 voice file contents for virtual card 22 (continued)

Phrase ID	Total duration	Duration	Phrase name	Content
27	0.63		id1863	Guinea
28	0.54		id1865	Kenia
29	1.18		id1866	Costa de Marfil
30	0.64		id1869	Fiedi
31	0.77		id1871	Zambia
32	0.67		id1873	Djibouti
28	0.79		id1874	Zimbabwe
29	0.57		id1875	Sudan
30	1.45		id1876	Norafica Espanola
31	1.48		id1879	Guinea ecuatorial
5	0.84		id1880	Senegal
6	0.74		id1883	Tanzania
7	0.48		id1836	Tunith
8	0.7		id1888	Nigeria
9	0.73		id1893	Burundi
Note 1: Duration time is in seconds.				
—end—				

Spansh67 voice file contents for virtual card 23

Phrase ID	Total duration	Duration	Phrase name	Content
4	0.77		id1889	Namibia
5	0.62		id1898	Malawi
6	0.36		id1899	Mali
7	0.91		id1900	Surafrica
Note 1: Duration time is in seconds.				
—continued—				

Spansh67 voice file contents for virtual card 23 (continued)

Phrase ID	Total duration	Duration	Phrase name	Content
8	0.88		id1901	Mauricio
9	0.93		id1903	Mozambique
10	0.82		id1904	Marruecos
11	0.58		id1905	Libia
12	0.69		id1906	Liberia
13	0.72		id1907	Ruanda
14	1.13		id1910	EEUU
15	0.66		id1911	Elay U.
16	0.92		id1912	E.A.U.
17	1.22		id1913	Coreia del Norte
18	1.1		id1914	Coreia del Sur
19	1		id1864	Guinea Bissau
20	0.68		id1867	Comores
21	0.45		id1868	Congo
22	1.73		id1870	Santo Tome y Principe
23	1.1		id1872	Sierra Leone
24	0.97		id1877	Swazilandia
25	0.9		id1878	Seychelles
26	1.14		id1881	Santa Helena
27	0.17		id1884	Chad
28	1.26		id1885	Africa Central
29	0.43		id1887	Togo
30	0.54		id1890	Niger
31	1.44		id1891	Sahara Occidental
32	1.02		id1892	Burkina Fasso
33	0.45		id1894	Benin
Note 1: Duration time is in seconds.				
—continued—				

Spansh67 voice file contents for virtual card 23 (continued)

Phrase ID	Total duration	Duration	Phrase name	Content
34	0.79		id1895	Bostwana
35	0.97		id1896	Madagascar
36	0.68		id1897	Madeira
37	1.01		id1902	Mauritania
38	0.67		id1908	Lesoto
39	0.83		id1909	Reunion
40	0.68		ide1951	Veintiuna
Note 1: Duration time is in seconds.				
—end—				

Voice file name spansh8

The following tables list the phrase IDs and content (silences, phrases or tones).

Spansh8 voice file contents for virtual card 24

Phrase ID	Total duration	Duration	Phrase name	Content
4	0.82		id1850	Ascension
5	0.72		id1856	Eritrea
6	0.79		id1858	Cabo Verde
7	0.49		id1860	Gabon
8	0.67		id1862	Gambia
Note 1: Duration time is in seconds.				
—end—				

Tagalog announcements

This section consists of the following voice file names:

- tagalog1
- tagalog2
- tagalog3
- tagalog4

Voice file name tagalog1

The following tables list the phrase IDs and content (silences, phrases or tones).

Tagalog1 voice file contents for virtual card 16

Phrase ID	Total duration	Duration	Phrase name	Content
4	4.51		id0300	Ito pong IDC. Ang inyo pong international call kanina ay
5	2.81		id0310	Maraming salamat po sa inyong paggamit ng IDC
6	1.75		id0433	Turks and Caicos Islands
7	1.68		id0431	St.Christopher and Nevis
8	1.53		id0366	United Arab Emirates
9	1.53		id0411	British VirginIslands
10	1.53		id0430	St.Vincent and Grenada
11	1.52		id0410	Antigua and Barbuda
12	1.48		id0427	St.Pierre and Miquelon
13	1.43		id0412	American VirginIslands
14	1.42		id0417	Netherlands Antilles
15	1.41		id0437	Trinidad and Tobago
16	1.29		id0459	AzoresIslands
17	1.28		id0311	Ito po ay recording
18	1.28		id0436	Dominica Republic
19	1.27		id0307	ang inyo pong tawag
Note 1: Duration time is in seconds.				
—continued—				

Tagalog1 voice file contents for virtual card 16 (continued)

Phrase ID	Total duration	Duration	Phrase name	Content
20	1.22		id0304	at umabot ng
21	1.18		id0340	labin-siyamna
22	0.64		id0323	dalawang
23	0.64		id0426	Colombia
Note 1: Duration time is in seconds.				
—end—				

Tagalog1 voice file contents for virtual card 17

Phrase ID	Total duration	Duration	Phrase name	Content
4	1.16		id0335	labing-apatna
5	1.16		id0364	milyon at
6	1.1		id0337	labing-animna
7	1.08		id0306	Uulitin ko po
8	1.07		id0345	apatnapung
9	1.07		id0446	Falkland Islands
10	1.05		id0405	United States
11	1.04		id0448	French Guiana
12	1.03		id0356	siyamnapu't
13	1.01		id0463	UnitedKingdom
14	0.95		id0355	siyamnapung
15	0.95		id0458	Azerbaijan
16	0.93		id0349	animnapung
17	0.92		id0333	labin-dalawang
18	0.92		id0424	CaymanIslands
Note 1: Duration time is in seconds.				
—continued—				

Tagalog1 voice file contents for virtual card 17 (continued)

Phrase ID	Total duration	Duration	Phrase name	Content
19	0.92		id0467	Uzbekistan
20	0.92		id0487	Turkmenistan
21	0.91		id0338	labim–pitong
22	0.91		id0339	labing–walong
23	0.91		id0352	pitumpu't
24	0.89		id0381	Saudi Arabia
25	0.88		id0332	labing–isang
26	0.88		id0365	Afghanistan
27	0.87		id0336	labin–limang
28	0.87		id0350	animnapu't
29	0.86		id0354	walumpu't
30	0.85		id0334	labin–tatlong
31	0.85		id0351	pitumpung
32	0.85		id0476	SanMarino
33	0.84		id0341	dalawampung
34	0.84		id0347	limampung
35	1.21		id0346	apatnapu't
36	0.54		id0301	oras
Note 1: Duration time is in seconds.				
—end—				

Voice file name tagalog2

The following tables list the phrase IDs and content (silences, phrases or tones).

Tagalog2 voice file contents for virtual card 18

Phrase ID	Total duration	Duration	Phrase name	Content
4	0.84		id0416	EISalvador
5	0.83		id0432	St.Lucia
6	0.81		id0483	Tadzhikistan
7	0.8		id0303	segundo
8	0.8		id0422	Guadeloupe
9	0.79		id0353	walumpung
10	0.79		id0445	PuertoRico
11	0.78		id0413	Venezuela
12	0.78		id0438	Nicaragua
13	0.78		id0471	Kazakhstan
14	0.78		id0477	Gibraltar
15	0.76		id0309	numerong
16	0.76		id0325	apatna
17	0.76		id0343	tatlumpung
18	0.76		id0407	Argentina
19	0.76		id0470	Netherlands
20	0.75		id0372	Indonesia
21	0.75		id0402	Mongolia
22	0.74		id0327	animna
23	0.74		id0360	raa't
24	0.74		id0394	Philippines
25	0.74		id0452	Honduras
26	0.74		id0453	Martinique
Note 1: Duration time is in seconds.				
—continued—				

Tagalog2 voice file contents for virtual card 18 (continued)

Phrase ID	Total duration	Duration	Phrase name	Content
27	0.63		id0330	siyamna
28	0.73		id0348	limampu't
29	0.73		id0393	East Timor
30	0.73		id0460	Albania
31	0.72		id0385	SriLanka
32	0.72		id0425	CostaRica
33	0.72		id0461	Armenia
34	0.72		id0462	Andorra
35	0.71		id0361	libong
36	0.71		id0362	libo't
37	0.71		id0451	Bolivia
38	0.71		id0466	Ukraine
39	0.71		id0468	Estonia
40	0.71		id0481	Slovakia
41	0.71		id0482	Slovenia
42	0.7		id0409	Anguilla
43	0.7		id0414	Uruguay
44	0.52		id0359	raang
45	0.49		id0489	Norway
45	0.44		id0316	four
Note 1: Duration time is in seconds.				
—end—				

Tagalog2 voice file contents for virtual card 19

Phrase ID	Total duration	Duration	Phrase name	Content
4	0.7		id0423	Grenada
5	0.7		id0435	Dominica
6	0.7		id0442	Bermuda
7	0.7		id0444	Barbados
8	0.7		id0480	Spain
9	0.69		id0342	dalawampu't
10	0.69		id0392	Bangladesh
11	0.69		id0421	Guatemala
12	0.69		id0456	Iceland
13	0.69		id0473	Greenland
14	0.69		id0478	Switzerland
15	0.68		id0331	sampung
16	0.68		id0401	Maldives
17	0.68		d0457	Ireland
18	0.68		id0472	Greece
19	0.68		id0475	Croatia
20	0.67		id0302	minuto
21	0.67		id0384	Singapore
22	0.67		id0443	Paraguay
23	0.67		id0485	Denmark
24	0.66		id0344	tatlumpu't
25	0.66		id0454	Mexico
26	0.66		id0469	Austria
27	0.65		id0377	Cambodia
28	0.65		id0390	Pakistan
29	0.65		id0415	Ecuador
Note 1: Duration time is in seconds.				
—continued—				

Tagalog2 voice file contents for virtual card 19 (continued)

Phrase ID	Total duration	Duration	Phrase name	Content
30	0.65		id0465	Vatican
31	0.64		id0441	Bahamas
32	0.63		id0363	milyong
33	0.63		id0369	Iraq
34	0.63		id0380	Cyprus
35	0.63		id0397	HongKong
36	0.63		id0400	Myanmar
37	0.63		id0447	Brazil
38	0.63		id0455	Montserrat
39	0.62		id0378	Korea
40	0.62		id0428	Jamaica
41	0.61		id0406	Alaska
42	0.6		id0382	Jordan
43	0.59		id0474	Georgia
44	0.58		id0379	Kuwait
45	0.58		id0404	Lebanon
46	0.58		id0408	Aruba
47	0.58		id0418	Guyana
48	0.58		id0429	Srinam
49	0.58		id0486	Germany
50	0.57		id0318	six
51	0.49		id0440	Panama
52	0.47		id0328	pitong
Note 1: Duration time is in seconds.				
—end—				

Voice file name tagalog3

The following tables list the phrase IDs and content (silences, phrases or tones).

Tagalog3 voice file contents for virtual card 20

Phrase ID	Total duration	Duration	Phrase name	Content
4	0.46		id0305	yen
5	0.57		id0312	sero
6	0.48		id0315	three
7	0.59		id0317	five
8	0.51		id0319	seven
9	0.47		id0322	isang
10	0.6		id0324	tatlong
11	0.52		id0326	limang
12	0.52		id0357	daang
13	0.52		id0368	Israel
14	0.49		id0371	India
15	0.48		id0374	Oman
16	0.46		id0375	Qatar
17	0.52		id0376	Korea
18	0.48		id0383	Syria
19	0.51		id0386	Thailand
20	0.53		id0387	Taiwan
21	0.49		id0388	Chinea
22	0.53		id0389	Nepal
23	0.52		id0391	Bharain
24	0.45		id03id0395	Bhutan
25	0.53		id0396	Brnei
26	0.5		id0398	Macao
Note 1: Duration time is in seconds.				
—continued—				

Tagalog3 voice file contents for virtual card 20 (continued)

Phrase ID	Total duration	Duration	Phrase name	Content
27	0.59		id0399	Malaysia
28	0.53		id0403	Laos
29	0.5		id0419	Canada
30	0.47		id0420	Cuba
31	0.51		id0434	Chile
32	0.5		id0439	Haiti
33	0.46		id0464	Italy
34	0.48		id0479	Sweden
35	0.48		id0490	Hungary
36	0.51		id0492	Finalnd
37	0.57		id0493	France
38	0.6		id0494	Bulgaria
39	0.48		id0496	Belgium
40	0.46		id0497	Poland
41	0.53		id0498	Portugal
42	0.56		id0500	Monaco
43	0.56		id0505	Latvia
44	0.5		id0510	Russian
45	0.4		id0516	Gua
46	0.44		id0523	Tonga
47	0.49		id0525	Niue
48	0.55		id0532	Hawaii
49	0.48		id0537	Midway
50	0.6		id0540	Angola
51	0.6		id0541	Uganda
52	0.51		id0549	Cameroon
Note 1: Duration time is in seconds.				
—continued—				

Tagalog3 voice file contents for virtual card 20 (continued)

Phrase ID	Total duration	Duration	Phrase name	Content
53	0.51		id0550	Gambia
54	0.47		id0553	Kenya
55	0.56		id0556	Comoros
56	0.5		id0555	Congo
57	0.48		id0556	Zambia
58	0.52		id0575	Togo
59	0.5		id0582	Benin
60	0.57		id0586	Malawi
61	0.82		id0589	Mauritius
62	0.53		id0602	Libya
63	0.79		id0604	Liberia
Note 1: Duration time is in seconds.				
—end—				

Tagalog3 voice file contents for virtual card 21

Phrase ID	Total duration	Duration	Phrase name	Content
4	0.32		id0308	sa
5	0.37		id03513	one
6	0.33		id0358	daa't
7	0.55		id0373	VietNam
8	0.6		id0449	Belize
9	0.75		id0491	Faroelands
10	0.62		id0495	Belarus
11	0.44		id0499	Malta
Note 1: Duration time is in seconds.				
—continued—				

Tagalog3 voice file contents for virtual card 21 (continued)

Phrase ID	Total duration	Duration	Phrase name	Content
12	0.62		id0501	Modove
13	0.77		id0503	Macedonia
14	0.81		id0507	Liecht5enstein
15	0.61		id0508	Romania
16	0.8		id0509	Luxemburg
17	0.62		id0512	Vanuatu
18	0.72		id0514	Australia
19	0.65		id0515	Kiribati
20	0.66		id0520	Saipan
21	0.44		id0522	Tuvalu
22	0.67		id0528	NewZealand
23	0.65		id0538	Ascension
24	0.73		id0539	Algeria
25	0.74		id0543	Ethiopia
26	0.68		id0544	Eritrea
27	0.78		id0552	GuineaBissau
28	0.8		id0560	SierraLeone
29	0.7		id0561	Djibouti
30	0.77		id0562	Zimbabwe
31	0.67		id0565	Swaziland
32	0.69		id0566	Seychelles
33	0.62		id0568	Senegal
34	0.67		id0570	Somalia
35	0.73		id0571	Tanzania
36	0.31		id0572	Tanzania
37	0.62		id0574	Tunisia
Note 1: Duration time is in seconds.				
—continued—				

Tagalog3 voice file contents for virtual card 21 (continued)

Phrase ID	Total duration	Duration	Phrase name	Content
38	0.75		id0577	Namibia
39	0.62		id0578	Niger
40	0.65		id0581	Burundi
41	0.66		id0583	Botswana
42	0.81		id0584	Madagascar
43	0.63		id0585	Madeira
44	0.77		id0601	Mozambique
45	0.69		id0602	Morocco
46	0.67		id0605	Rwanda
47	0.7		id0606	Rwanda
48	0.69		id0607	Reunion
49	0.74		id0608	U.S.A.
50	0.71		id0609	U.K.
51	0.8		id0610	U.A.E.
Note 1: Duration time is in seconds.				
—end—				

Voice file name tagalog4

The following tables list the phrase IDs and content (silences, phrases or tones).

Tagalog4 voice file contents for virtual card 22

Phrase ID	Total duration	Duration	Phrase name	Content
4	0.44		id0488	Turkey
5	1.37		id0502	Bosnia Herzegovina
Note 1: Duration time is in seconds.				
—continued—				

Tagalog4 voice file contents for virtual card 22 (continued)

Phrase ID	Total duration	Duration	Phrase name	Content
6	0.82		id0504	Yugoslavia
7	0.82		id0506	Lithuania
8	1.09		id0511	AmericanSamoa
9	0.79		id0513	WakeIsland
10	0.86		id0517	CookIslands
11	0.82		id0518	ChristmasIsland
12	1.46		id0519	Cocos and Keeling Islands
13	1		id0521	SolomonIslands
14	1.06		id0526	WesternSamoa
15	0.97		id0527	NewCaledonia
16	0.95		id0529	NorfolkIsland
17	1.03		id0530	PapuaNewGuinea
18	1.06		id0534	FrenchPolynesia
19	0.87		id0535	MarshallIslands
20	0.82		id0536	Micronesia
21	0.87		id0546	Cape Verde
22	0.93		id0547	CanaryIslands
23	0.99		id0554	Ivory Coast
24	0.46		id0557	Zaire
25	1.37		id0558	SaoTome and Principe
26	1.67		id0564	SpanishNorthAfrica
27	1.48		id0567	EquatorialGuinea
28	0.82		id0569	St.Helena
29	0.99		id0573	CentralAfrica
30	0.79		id0576	Nigeria
31	1.04		id0579	WesternSahara
Note 1: Duration time is in seconds.				
—continued—				

Tagalog4 voice file contents for virtual card 22 (continued)

Phrase ID	Total duration	Duration	Phrase name	Content
32	1.01		id0580	BurkinaFaso
33	0.85		id0600	Mauritania
34	0.97		id0611	North Korea
35	0.93		id0612	South Korea
Note 1: Duration time is in seconds.				
—end—				

Tagalog4 voice file contents for virtual card 23

Phrase ID	Total duration	Duration	Phrase name	Content
4	0.36		id0314	two
5	0.39		id0320	eight
6	0.42		id0321	nine
7	0.41		id0367	Yemen
8	0.38		id0370	Iran
9	0.43		id0450	Peru
10	0.19		id0484	Czech
11	0.43		id0524	Nauru
12	0.44		id0531	Palau
13	0.42		id0533	Fiji
14	0.39		id0542	Egypt
15	0.41		id0545	Ghana
16	0.42		id0548	Gabon
17	0.36		id0551	Guinea
18	0.44		id0563	Sudan
Note 1: Duration time is in seconds.				
—continued—				

Tagalog4 voice file contents for virtual card 23 (continued)

Phrase ID	Total duration	Duration	Phrase name	Content
19	0.44		id0587	Mali
20	0.9		id0588	South Afrcia
21	0.54		id0329	walong
Note 1: Duration time is in seconds.				
—end—				

Thai announcements

This section consists of the following voice file names:

- thai01
- thai23
- thai45
- thai67
- thai89

Voice file name thai01

The following tables list the phrase IDs and content (silences, phrases or tones).

Thai01 voice file contents for virtual card 16

Phrase ID	Total duration	Duration	Phrase name	Content
4	5.9		id0900	Thii nii IDC than dai chai boorikaan thoorasap rawaang prathet pen weelaa
5	0.73		id0901	chuamong
6	0.83		id0902	naathii
7	0.87		id0903	winaathii
8	0.77		id0904	pen ngen
9	3.54		id0906	Yam than daai chai boorikan thoorasap rawaang prathet
10	0.68		id0907	pai yang
11	0.94		id0908	maaileek thoorasap
12	0.89		id0909	pen weelaa
13	5.56		id0910	khoo khoobphrakhun thii chai boorikaan khoong IDC le niikhuu tapebanthuksiang
14	0.83		id0911	Soon
15	0.53		id0912	Nurng
16	0.72		id0913	Too
17	0.77		id0914	Saam
Note 1: Duration time is in seconds.				
—continued—				

Thai01 voice file contents for virtual card 16(continued)

Phrase ID	Total duration	Duration	Phrase name	Content
18	0.74		id0915	Sii
19	0.6		id0916	Haa
20	0.31		id0917	Hok
21	0.54		id0918	Jed
22	0.52		id0919	Paad
23	0.59		id0920	Gao
24	0.78		id0921	Song
25	0.38		id0922	Sip
26	0.64		id0923	SipEd
27	0.93		id0924	SipSong
28	0.94		id0925	SipSaam
29	0.87		id0925	SipSii
Note 1: Duration time is in seconds.				
—end—				

Thai01 voice file contents for virtual card 17

Phrase ID	Total duration	Duration	Phrase name	Content
4	0.65		id0905	yen
5	0.9		id09227	SipHaa
6	0.65		id0928	SipHok
7	0.73		id0929	SipJed
8	0.89		id0930	SipPaad
9	0.93		id0931	SipGao
10	0.56		id0932	YiiSip
Note 1: Duration time is in seconds.				
—continued—				

Thai01 voice file contents for virtual card 17 (continued)

Phrase ID	Total duration	Duration	Phrase name	Content
11	0.24		id0933	Ed
12	0.75		id0934	Rooi
13	0.5		id0935	Phan
14	0.65		id0936	Murn
15	0.69		id0937	Saan
16	0.65		id0938	Laan
17	0.7		id0929	SaamSip
18	0.69		id0940	SiiSip
19	0.53		id0941	HaaSip
20	0.66		id0942	HokSip
21	0.52		id0943	JedSip
22	0.58		id0944	PaadSip
23	0.56		id0945	GaoSip
24	1.38		id0946	Afghanisathan
25	1.76		id0947	Satharanarat Arab Emirate
26	0.84		id0948	Yemenn
27	0.99		id0949	Issarael
28	0.46		id0950	lirak
29	0.73		id0951	liran
30	0.82		id0952	India
31	01.05		id0953	Indonesia
32	0.78		id0954	Vietnam
33	0.98		id0955	Oman
34	0.77		id0956	Kata
35	1		id0957	Gaolii Tai
36	0.96		id0958	Gampucha
Note 1: Duration time is in seconds.				
—continued—				

Thai01 voice file contents for virtual card 17 (continued)

Phrase ID	Total duration	Duration	Phrase name	Content
37	0.96		id0959	Gaolii Nur
38	0.72		id0960	Kuwait
39	1.11		id0966	Siilangka
40	1.44		id0962	Saudi Arabia
41	0.81		id0963	Jordann
42	0.81		id0972	Baren
Note 1: Duration time is in seconds.				
—end—				

Voice file name thai23

The following tables list the phrase IDs and content (silences, phrases or tones).

Thai23 voice file contents for virtual card 18

Phrase ID	Total duration	Duration	Phrase name	Content
4	0.8		id0961	Cyprus
5	0.87		id0964	Siiria
6	0.97		id0965	Singapor
7	0.51		id0967	Thai
8	0.7		id0968	Taiwan
9	0.61		id0969	Jeen
10	1.1		id1019	Nikargua
11	0.81		id0970	Nepann
12	1.17		id0971	Pakisathan
13	1.05		id0973	Bankalathad
Note 1: Duration time is in seconds.				
—continued—				

Thai23 voice file contents for virtual card 18 (continued)

Phrase ID	Total duration	Duration	Phrase name	Content
14	1.26		id0974	Timor Tawanoog
15	0.89		id0975	Philippin
16	0.97		id0976	Phuthaan
17	0.82		id0977	Brunai
18	0.87		id0978	HongKong
19	0.79		id0979	Makao
20	0.99		id0980	Malayasia
21	0.88		id0981	Manma
22	0.82		id0982	Maldi
23	1		id0983	Monggolia
24	0.68		id0984	Lao
25	0.87		id0985	Lebanon
26	1		id0987	Alasga
27	1.19		id0988	Argentina
28	0.98		id0990	Aangulia
29	0.75		id1073	Finland
30	0.77		id1067	Yerraman
31	0.81		id1077	Belgium
32	0.81		id1090	Luxsamberg
33	0.82		id1074	Farungsad
34	0.88		id1069	Tulagi
35	1.42		id1068	Trugimenisathan
36	1.42		id0994	Venezuela
37	1.12		id1016	Donminika
Note 1: Duration time is in seconds.				
—end—				

Thai23 voice file contents for virtual card 19

Phrase ID	Total duration	Duration	Phrase name	Content
4	0..92		id0995	Urugai
5	1.01		id0996	Equador
6	1.13		id1012	EISalvador
7	2.1		id1031	Sent Kristopher le Nevis
8	0.71		id1000	Paeru
9	0.9		id1000	Kanada
10	0.86		id1001	Kiuba
11	1.18		id1002	Guatemala
12	0.93		id1004	Grenada
13	1.47		id1005	Moo Got Kaiman
14	1.13		id1006	Kostariga
15	1		id1007	Kolumbia
16	0.97		id1009	Jamaiga
17	0.77		id1010	Surinam
18	1.88		id1011	Sent Vinkont le Grenad
19	1.16		id1013	Sent Lusia
20	.065		id1066	Denmark
21	0.76		id1079	Potugate
22	0.7		id1061	Sapen
23	0.72		id1076	Berarus
24	0.73		id1078	Poland
25	1.26		id1072	Mooka Pharo
26	0.78		id1015	Chili
27	1.72		id1018	Triniosidad le Tobago
28	0.55		id1020	Haiti
29	0.83		id1021	Panama
Note 1: Duration time is in seconds.				
—continued—				

Thai23 voice file contents for virtual card 19 (continued)

Phrase ID	Total duration	Duration	Phrase name	Content
30	0.88		id1022	Bahama
31	1		id1023	Bermuda
32	0.9		id1024	Paraguai
33	0.8		id1091	Russia
34	1		id1035	Mexico
Note 1: Duration time is in seconds.				
—end—				

Voice file name thai45

The following tables list the phrase IDs and content (silences, phrases or tones).

Thai45 voice file contents for virtual card 20

Phrase ID	Total duration	Duration	Phrase name	Content
4	0.9		id1025	Babados
5	1.13		id1026	Piutoriko
6	0.84		id1028	Brazil
7	1.51		id1029	French Giana
8	0.69		id1030	Beliz
9	0.98		id1031	Bolivia
10	0.87		id1032	Honduras
11	0.94		id1033	Martinik
12	0.85		id1034	Montserrat
13	0.95		id1036	Iceland
14	0.77		id1037	I-land
Note 1: Duration time is in seconds.				
—continued—				

Thai45 voice file contents for virtual card 20 (continued)

Phrase ID	Total duration	Duration	Phrase name	Content
15	1.35		id1040	Moo Got Azores
16	0.94		id1041	Arabania
17	0.85		id1042	Armenia
18	0.94		id1043	Andora
19	0.5		id1044	Aung-grid
20	0.84		id1045	Italy
21	0.82		id1046	Vatigan
22	0.85		id1047	Ukrain
23	1.39		id1048	Uzusathan
24	0.96		id1049	Estonia
25	0.87		id1050	Austria
26	0.87		id1051	Netherland
27	1.16		id1052	Kazaksathan
28	0.57		id1053	Greece
29	0.85		id1054	Greenland
30	0.83		id1055	Georgia
31	0.97		id1056	Croatia
32	0.24		id1065	Chek
33	0.82		id1070	Noroway
34	1.51		id0986	Saharat Ameriga
35	1.07		id1082	Moldova
36	0.89		id1059	Sawitzerlan
37	0.87		id1060	Saweden
Note 1: Duration time is in seconds.				
—end—				

Thai45 voice file contents for virtual card 21

Phrase ID	Total duration	Duration	Phrase name	Content
4	0.86		id1080	Molta
5	0.87		id1086	Latvia
6	0.87		id1089	Romania
7	0.88		id1071	Hunggary
8	0.9		id1063	Salovenia
9	0.9		id1087	Lituania
10	0.96		id1075	Bulgaria
11	0.97		id1081	Monako
12	0.98		id1084	Maseidonia
13	1.11		id1094	Gho Wake
14	1.12		id1093	Vanuatu
15	1.13		id1088	Lichetnesatain
16	1.29		id1085	Yugoslavia
17	1.01		id1058	Gibraotaa
18	1.33		id1027	Moo Got Fokland
19	1.56		id1039	Azerbalosijan
20	1.52		id1092	Amerigan Samoa
21	1.81		id1083	Bosnia le Herzegovina
22	2.14		id1014	Mooka Deul Lisakause
23	2.03		id1017	Satharanarat Dominika
24	2.84		id0993	Mooka Vergin Cong Sarat America
25	1.91		id0992	Mooka Vergin Cong Angrit
26	1.1		id1057	Sanmarino
27	1.31		id1064	Takjikisathan
Note 1: Duration time is in seconds.				
—end—				

Voice file name thai67

The following tables list the phrase IDs and content (silences, phrases or tones).

Thai67 voice file contents for virtual card 22

Phrase ID	Total duration	Duration	Phrase name	Content
4	0.61		ide100	Slovak
5	1.06		id1095	Australia
6	0.88		id1096	Kiribati
7	0.47		id1097	Guam
8	0.89		id1098	Moo Got Cook
9	1.03		id1099	Got Christmas
10	1.84		id1100	Moo Got Cocos Killing
11	0.79		id1101	Saipan
12	1.39		id1102	Moo Got Solomon
13	0.95		id1103	Tuvalu
14	0.84		id1104	Tonnga
15	0.78		id1105	Nauru
16	0.71		id1106	Kiue
17	1.21		id1107	Samoa Thawantok
18	1.27		id1108	NewKaledonia
19	1.03		id1109	NewZealand
20	0.94		id1110	Gho Norfolk
21	1.43		id1111	Papua New Guinea
22	0.78		id1112	Palao
23	0.86		id1113	Hawai
24	0.7		id1114	Siiti
25	1.47		id1115	French Polinesia
26	1.29		id1116	Moo Got Marshall
Note 1: Duration time is in seconds.				
—continued—				

Thai67 voice file contents for virtual card 22 (continued)

Phrase ID	Total duration	Duration	Phrase name	Content
27	f1.29		id1117	Mikonesia
28	0.96		id1118	Midway
29	1.01		id1120	Aljiria
30	0.93		id1121	Angola
31	0.99		id1122	Uganda
32	0.44		id1123	Eyiip
33	1.15		id1124	Ethiopia
34	0.73		id1126	Ghana
35	0.68		id1142	Jiboti
Note 1: Duration time is in seconds.				
—end—				

Thai67 voice file contents for virtual card 23

Phrase ID	Total duration	Duration	Phrase name	Content
4	1.26		id1128	Moo Got Canary
5	0.93		id1130	Kameroon
6	0.78		id1132	Ginia
7	0.77		id1134	Kenya
8	1.23		id1135	Kotelivori
9	0.76		id1138	Zaire
10	0.87		id1140	Zambia
11	1.1		id1143	Zimbabwe
12	0.88		id1144	Suudaan
13	1.88		id1145	Spanish Afrikanur
Note 1: Duration time is in seconds.				
—continued—				

Thai67 voice file contents for virtual card 23 (continued)

Phrase ID	Total duration	Duration	Phrase name	Content
14	1.71		id1148	Equitoria Ginia
15	0.86		id1149	Seinegal
16	0.95		id1151	Somalia
17	0.96		id1152	Tanzania
18	0.95		id1155	Tunisia
19	0.99		id1157	Naigeria
20	0.9		id1158	Namibia
21	0.89		id1167	Malawi
22	1.25		id1169	Afrika Tai
23	1.09		id1170	Mouritiaus
24	0.83		id1172	Mozambik
25	0.96		id1173	Morokko
26	0.79		id1174	Libia
27	0.86		id1175	Liberria
28	0.91		id1176	Rawanda
29	1.17		id1179	USA
30	0.83		id1180	UK
31	1.05		id1181	UAE
32	0.92		id1182	Gali Newa
33	0.97		id1183	Gali Thai
Note 1: Duration time is in seconds.				
—end—				

Voice file name thai89

The following tables list the phrase IDs and content (silences, phrases or tones).

Thai89 voice file contents for virtual card 24

Phrase ID	Total duration	Duration	Phrase name	Content
4	0.95		id0989	Aruba
6	1.5		id0998	Netherland Antilles
7	0.92		id0999	Giana
8	0.76		id1003	Guadeloup
9	1.75		id1008	Sent Piair le Miqualon
10	1.32		id1119	Ascenchion
11	0.94		id1125	Eritia
12	1.16		id1127	Laam Vordo
13	0.68		id1129	Gabon
14	0.82		id1131	Gambia
15	1.22		id1133	Ginia Bissao
16	0.79		id1136	Comoro
17	0.8		id1137	Kongo
18	1.77		id1139	Saotome le Prinsip
19	1.35		id1141	Siarale-ne
20	1.11		id1146	Swaziland
21	1.05		id1147	Seichelles
22	0.46		id1153	Chad
23	1.45		id1154	Afrika Klang
24	0.73		id1156	Togo
25	0.86		id1159	Niger
Note 1: Duration time is in seconds.				
—continued—				

Thai89 voice file contents for virtual card 24 (continued)

Phrase ID	Total duration	Duration	Phrase name	Content
26	1.34		id1160	Sahara Tawantok
27	1.48		id1161	Burkina-faso
28	0.9		id1162	Burundi
29	0.73		id1163	Benin
30	1.16		id1164	Botsawana
31	1.34		id1165	Madagasgar
Note 1: Duration time is in seconds.				
—end—				

Thai89 voice file contents for virtual card 25

Phrase ID	Total duration	Duration	Phrase name	Content
4	1.28		id1150	Sent Helenna
5	0.91		id1166	Madeira
6	0.75		id1168	Mari
7	1.16		id1171	Mouritania
8	0.95		id1177	Lesoto
9	0.97		id1178	Reyunion
Note 1: Duration time is in seconds.				
—end—				

List of terms

ABS

Refer to alarm battery supply.

ACCS

Refer to Automatic Calling Card Service.

ACD

Refer to Automatic Call Distribution.

ACTS

Refer to Automatic Coin Toll Service.

adaptive differential pulse code modulation (ADPCM)

The best method to encode speech for storage in memory. The ADPCM method uses 4 bit speech samples taken at an 8 kHz rate. This method represents a storage that saves 50% more than the 64 kbyte packaged core memory (PCM) method.

ADPCM

Refer to adaptive differential pulse code modulation.

ADTC

Refer to Austrian digital trunk controller.

alarm battery supply (ABS)

A separate –48V supply obtained from the central office battery power supply and distributed to the alarm circuits of the DMS-100 switch.

ALCM

Austrian line concentrating module

ALGC

Austrian line group controller

ALT

Refer to automatic line testing.

AMA

Refer to Automatic Message Accounting.

ANIF

Refer to automatic number identification failed.

AOSS

Refer to Auxiliary Operator Services System.

AP

Refer to application processor.

APC

Application processor cabinet

application processor (AP)

An element of an open system that helps process information sent to and received from an application process in another open system.

ARCC

Austrian remote cluster controller

ATM

Austria digital line module

ATT

Refer to automatic trunk testing.

Austrian digital trunk controller (ADTC)

A PCM-30 digital trunk controller (DTC) that has been adapted for Austrian licensees of Nortel to use. *Also refer to digital trunk controller.*

automatic call back (ACB)

The ACB option allows subscribers to automatically set up a call to the last directory number (DN) dialed. The subscriber enters a feature code to perform this option. If the destination line is busy, the ACB option monitors it until the line becomes idle and can accept the call.

Automatic Call Distribution (ACD)

A set of Meridian Digital Centrex (MDC) features that assigns answering priorities to incoming calls. These MDC features queue and distribute the calls to a predetermined group of telephone sets designated as agent positions.

Automatic Calling Card Service (ACCS)

A feature that allows the subscriber to dial a call and bill the call to a calling card number the operating company provides.

Automatic Coin Toll Service (ACTS)

This service allows the operating company to automatically process five call types:

- first contact on most calls paid at the station
- coin charge due contacts
- notification on coin calls
- notification on calls that do not require coin
- measurement on most time and charges for calls that do not require coin.

automatic line testing (ALT)

Testing of both line circuits and the attached loops. In most conditions, ALT runs on a large group of lines during a low-traffic period. *Also refer to* extended diagnostic test, line insulation test, on-hook balance network test, short diagnostic test.

Automatic Message Accounting (AMA)

An automatic recording system that documents all the necessary billing data of authorized long distance calls dialed by the user.

automatic number identification failed (ANIF)

A service that allows the operator to enter the calling number when automatic number identification (ANI) fails. *Also refer to* remote operator number identification.

automatic trunk testing (ATT)

A set of hardware and software entities that provide automatic testing for outgoing trunks and the outgoing allocations of two-way trunks.

Auxiliary Operator Services System (AOSS)

A system designed to assist the operating companies with intercept and directory help.

BAL

Refer to on-hook balance network tests.

BERT

Refer to bit error rate test.

BIC

Refer to bus interface card (BIC).

bit error rate test (BERT)

A test that measures the transmission quality of a loop. The BERT transmits a known bit pattern over a line and compares the reflected signal against the first pattern.

bus interface card (BIC)

A card located in the drawer of a line concentrating module that connects two 32-channel digroups to a maximum of 64 line cards.

cabinetized digital network interconnect cabinet (CDNI)

A cabinet that houses network junctor connecting panels. The panels organize the pattern of connections between the junctor faces of network modules (NM).

cabinetized dual shelf network (CDSN)

A cabinet that packages one network plane on a single shelf. The cabinet permits two complete networks for each plane in a single bay.

cabinetized input/output equipment (CIOE)

A cabinet that houses all the input/output devices that connect the MAP to the DMS-100 Family components.

cabinetized international peripheral equipment (CIPE)

Equipment that consists of digital end instruments. This equipment converts user information into data signals for transmission or converts the received data signals into user information.

cabinetized line concentrating equipment (CLCE)

A cabinet module that maintains the current function of the DMS-100 line concentrating equipment (LCE) frame.

cabinetized miscellaneous equipment cabinet (CMIS)

A cabinet that houses equipment specified by the customer.

cabinetized miscellaneous spares storage (CMSS)

A cabinet for spare card storage.

cabinetized power distribution center (CPDC)

A cabinetized module that provides power for remote switching center-SONET (RSC-S) equipment.

cabinetized speech link connecting cabinet

A cabinet that provides a patch cord cross-connect facility in the speech links between the peripheral and network subsystems.

cabinetized trunk module equipment (CTME)

A cabinet that contains one or more trunk modules, maintenance modules, or office alarm units.

Call Detail Recording (CDR)

A system that collects and records data on all calls the DMS switch processes. A recording device stores the CDR data. The data allows studies on traffic and equipment service, division of revenue, engineering, and fraud.

Call Management Service (CMS)

This feature can provide the subscriber with announcements that indicate the telephone number from which calls originate. This feature is also known as Custom Local Area Signaling Service (CLASS).

Calling Number Announcements (CNA)

This system allows operating company maintenance personnel to respond automatically to a cut cable. The personnel verify service order and line transfer cross-connection, or identify cable pairs when a cut cable occurs.

CCC

Refer to central control complex.

CCITT

Consultative Committee on International Telephony and Telegraphy

CCITT recommendations

A series of standards the CCITT prepares called recommendations because the standards are warnings and not requirements. For example, ISDN standards are CCITT recommendations.

CCS7 link interface unit 7 (LIU7)

Refer to link interface unit for CCS7 (LIU7).

CDNI

Refer to cabinetized digital network interconnect cabinet.

CDSN

Refer to cabinetized dual shelf network.

central control complex (CCC)

The part of the DMS-100 Family switch that contains all central control (CC) functions. The functions include the central message controller (CMC), CPU, program store (PS), and data store (DS).

central message controller (CMC)

A hardware device in the central control complex (CCC) frame. This hardware device provides an interface between the CPU, network module controllers (NMC), and input/output controllers (IOC).

CIOE

Refer to cabinetized input/output equipment.

CIPE

Refer to cabinetized international peripheral equipment.

CKTTST

Refer to keyset line circuit tests.

CLASS

Refer to custom local area signaling service.

CLCE

Refer to cabinetized line concentrating equipment.

CM

Refer to computing module.

CMC

Refer to central message controller.

CMIS

Refer to cabinetized miscellaneous equipment cabinet.

CMSS

Refer to cabinetized miscellaneous spares storage.

CNA

Refer to Calling Number Announcements.

computing module (CM)

The processor and memory of the dual-plane combined core (DPCC) the DMS SuperNode uses. Each CM consists of a pair of CPUs that share memory. The pair of CPUs operate in a synchronous matched mode on two separate planes. One plane is active and maintains control of the system. The other plane is on standby.

CPDC

Refer to cabinetized power distribution center.

CSLC

Refer to cabinetized speech link connecting cabinet.

CTME

Refer to cabinetized trunk module equipment.

custom local area signaling service (CLASS)

A set of call services that provides the ability to supply calling line identification to the call destination. The set of call services stores information on the last incoming and last outgoing call. The call services also monitor the status of a destination line.

DCA

Digital carrier module Austria

DCE

Digital carrier equipment

DCM

Refer to digital carrier module.

Device Independent Recording Package (DIRP)

Software that automatically directs data from the different administrative and maintenance facilities to the correct recording devices.

DIAG

Refer to extended diagnostic test.

digital carrier equipment (DCE) frame

An equipment frame that houses digital carrier modules (DCM).

digital carrier module (DCM)

A peripheral module (PM) in a digital carrier equipment (DCE) frame. This module provides speech and signaling interfaces between a DS30 network port and digital trunks. A DCM is provisioned with up to five line cards.

Digital Multiplex System (DMS)

A central office (CO) switching system in which all external signals are converted to digital data and stored in assigned time slots. Switching is an additional assignment of the original time slots.

digital network interconnecting (DNI) frame

A frame or group of frames housing network junctor connects panels. The frames organize the pattern of connections between the junctor faces of network modules (NM).

digital recorded announcement machine (DRAM)

A peripheral module (PM) for the DMS switch. The switch stores voice messages in digital form and provides access to up to 30 different service voice announcements.

digital trunk controller (DTC)

A peripheral module connects DS30 links from the network with digital trunk circuits. *Also refer to Austrian digital trunk controller and International digital trunk controller.*

digital trunk equipment (DTE) frame

A frame that contains a maximum of two dual-shelf digital trunk controllers (DTC).

DIRP

Refer to Device Independent Recording Package.

DMS

Refer to Digital Multiplex System.

DMS-bus

The messaging control component of a DMS SuperNode processor. The DMS-bus components are a pair of message switches (MS).

DMS-core

The call management and system control section of the DMS SuperNode processor. The DMS-core section consists of a computing module (CM) and a system load module (SLM).

DNI

Refer to digital network interconnecting frame.

DNPC

Refer to dual network packaged core.

double shelf network equipment (DSNE) frame

A frame that packages one network plane on a single shelf. This package permits two complete networks for each plane in a single bay.

DPCC

Refer to dual-plane combined core cabinet.

DRAM

Refer to digital recorded announcement machine.

DS-0

A protocol for data transmission that represents one channel in a 24-channel DS-1 trunk.

DS-0A

An asynchronous DS-0. *Refer to* DS-0.

DS-1

The 8-bit 24-channel 1.544 Mbit/s digital signaling format used in the DMS-100 Family. The DS-1 is the North American standard for digital trunks. It is a specified bipolar pulse stream. The DS-1 signal is the standard signal used to interconnect Northern Telecom digital systems. The DS-1 signal carries 24 information channels of 64 kbit/s each (DS-0s).

DS30

- A 10-bit 32-channel 2.048-Mbit/s speech-signaling and message-signaling link used in the DMS-100 Family switches
- The protocol that DS30 links use to communicate

DS30A

A 32-channel transmission link between the line concentrating module (LCM) and controllers in the DMS-100 Family switches. The DS30A is like the DS30. The DS30A is for use over shorter distances than the DS30.

DS512 fiber link

The fiber optic transmission link implemented in the DMS SuperNode processor. The DS512 connects the computing module (CM) to the message switch. One DS512 fiber link is the equivalent of 16 DS30 links.

DSN

Refer to dual shelf network.

DSNE

Refer to double shelf network equipment frame.

DTC

Refer to digital trunk controller.

DTE

Refer to digital trunk equipment frame.

DTM

Digital trunk module

DTU

Digital test unit

dual network packaged core (DNPC)

The basic element of the DMS-100 switch. The DNPC is a two-bay unit that contains a central control complex (CCC) and two switching network modules (NM).

dual-plane combined core cabinet (DPCC)

One of the three cabinet models for the DMS SuperNode processor. The DPCC contains two message switches and a system load module (SLM).

dual shelf network (DSN)

Also referred to as the junctored network (JNET). *Refer to* switching network.

EADAS

Refer to Engineering and Data Acquisition System.

ENET

Refer to enhanced network.

Engineering and Data Acquisition System (EADAS)

A mechanized method of collecting data through a remote polling arrangement.

enhanced line concentrating module (LCME)

A dual-unit peripheral module (PM) that terminates:

- Integrated Services Digital Network (ISDN) 2B1Q (two binary one quaternary) U-type (single slot) lines
- ISDN S/T-type lines
- plain old telephone service (POTS) lines
- electronic business set (EBS) lines
- Datapath lines

The LCME also provides access to the ISDN B-, D-, and M-channels. The LCME supports 480 POTS or EBS lines or 240 Datapath lines.

enhanced network (ENET)

A channel-matrixed time switch that provides pulse code modulated voice and data connections between peripheral modules (PM). The ENET also provides message paths to the DMS-Bus components.

extended diagnostic test

A test checks a line circuit for correct operation.

extended line concentrating module (XLCM)

The domestic version of the drawer allocation and ring generation of a large memory line concentrating module.

F-bus

Refer to frame transport bus.

F-bus tap

Refer to frame transport bus tap.

file processor (FP)

A microprocessor, with associated memory, disk drives, and tape drives for database processing in a service control point (SCP).

FP

Refer to file processor.

frame supervisory panel (FSP)

A facility that accepts the frame battery feed and ground return from the power distribution center (PDC). The FSP uses auxiliary fuses and feeds to distribute the battery feed to the shelves of the frame or bay where the FSP is mounted. The FSP also contains alarm circuits.

frame transport bus (F-bus)

An 8-bit bus that provides data communications between a local message switch (LMS) and the link interface units. The link interface units are provisioned in a link peripheral processor (LPP). To allow readability, two load-sharing F-buses are provided in an LPP. Each F-bus is dedicated to one of the two LMSs. *Also refer to* link interface module.

frame transport bus (F-bus) tap

A facility that provides messaging access to a frame transport bus (F-bus). For DMS-STP applications, the tap can be part of the F-bus rate adapter card the local message switch uses or the tap can be part of the link interface unit for CCS7 (LIU7). *Also refer to* frame transport bus.

FSP

Refer to frame supervisory panel.

IBERT

Refer to integrated bit error rate test.

IDTC

Refer to international digital trunk controller.

IDTE

International digital trunk equipment

ILCM

Refer to international line concentrating module.

ILGC

Refer to international line group controller.

ILGE

International line group equipment

ILTC

Refer to international line trunk controller.

IMTM

Refer to international maintenance trunk module.

input/output controller (IOC)

An equipment shelf that provides an interface between a maximum of 36 I/O devices and the central message controller (CMC). The IOC contains a peripheral processor (PP) that performs local tasks. The actions minimize the load on the CPU. *Also refer to IOC shelf.*

input/output device (IOD)

A device that allows users to enter data into a data processing system, received from the system, or both entered and received.

input/output equipment (IOE) frame

A frame that houses input/output devices.

integrated bit error rate test (IBERT)

A test that a MAP operator executes. The operator uses an IBERT card to test the transmission quality of a selected data line. The card resides in the line drawer of a line concentrating module (LCM) and generates the bit stream for an IBERT. An IBERT tests most types of lines connected to the DMS switch if the lines support the T-link protocol.

international digital trunk controller (IDTC)

A digital trunk controller acts as an interface between a DMS switch and PCM30 trunks. *See also* digital trunk controller.

international line concentrating module (ILCM)

A three-processor peripheral module (PM) that acts as an interface between

- the international line group controller (ILGC) or international line trunk controller (ILTC) and
- a maximum of 256 subscriber lines

See also line concentrating module.

international line group controller (ILGC)

A three-processor line group controller provisioned to connect PCM-30 links from the network to international line concentrating modules (ILCM). *Also refer to* line group controller.

international line trunk controller (ILTC)

A peripheral module (PM) that is a combination of the international line group controller (ILGC) and the international digital trunk controller (IDTC). This module provides all the services of these controllers. *See also* line trunk controller.

international maintenance trunk module (IMTM)

A peripheral module located in a CTME cabinet.

IOC

Refer to input/output controller.

IOC shelf

A shelf that provides an interface between up to 36 input/output devices (IOD) and the central message controller (CMC). *Also refer to* input/output controller.

IOD

Refer to input/output device.

IOE

Refer to input/output equipment frame.

IPE

Intelligent peripheral equipment

junctioned network (JNET)

A time-division multiplexed system that allows the switching of 1920 channels for each network pair. The network pairs are completely duplicated. External junctions, internal junctions, and a digital network interconnecting (DNI) frame allow the establishment of additional channels. Channels can be routed directly. Channels can use junctions, a DNI frame and software control for alternate routing. Capacity for a DMS-100 switch is 32 network pairs or 61 440 channels (1920 channels × 32 network pairs).

keyset line circuit tests (CKTTST)

A diagnostic run at the line test position or automatic line test levels of the MAP to test keyset lines.

LCE

Line concentrating equipment

LCM

Refer to line concentrating module.

LCME

Refer to enhanced line concentrating module.

LCMI

Refer to ISDN line concentrating module.

LGC

Refer to line group controller.

LGCI

Refer to ISDN line group controller.

LGE

Line group equipment

LIM

Refer to link interface module.

line concentrating equipment (LCE) frame

A single-bay frame that contains two line concentrating modules (LCM).

line concentrating module (LCM)

A peripheral module (PM) that connects the line trunk controller (LTC) or line group controller (LGC) and up to 640 subscriber lines. This connection uses two to six DS30A links. *Also refer to international line concentrating module.*

line concentrating module (enhanced) (LCME)

Refer to enhanced line concentrating module.

line Family controller (LGC)

A peripheral module (PM) that connects DS30 links from the network to line concentrating modules (LCM). *Also refer to international line group controller.*

line Family equipment (LGE) frame

A single-bay frame contains line group controller (LGC) modules.

line insulation test (LIT)

A diagnostic run at the line test position or automatic line test levels of the MAP. The user performs this test on an idle subscriber line to check for insulation defects. The insulation defects include foreign potential and not enough conductor leakage resistance on the loop facility. The test is based on measurements of resistance.

line module (LM)

A peripheral module that provides speech and signaling interfaces for a maximum of 640 subscriber lines. The LM consists of line drawers, a line module controller, and a frame supervisory panel.

line module controller (LMC)

The controller shelf for the line module (LM). The LMC performs the peripheral processor (PP) functions.

line module equipment (LME) frame

A double-bay frame that contains a supporting pair of line modules (LM).

lines maintenance subsystem (LNS)

A DMS-100 Family subsystem for maintenance of subscriber loops.

line trunk controller (LTC)

A peripheral module (PM) that is a combination of the line group controller (LGC) and the digital trunk controller (DTC). This module provides all the services each controller provides. This PM supports line concentrating module (LCM) and AB trunks. *Also refer to* international line trunk controller.

line trunk equipment (LTE) frame

Frame that contains up to two dual-shelf line trunk controllers (LTC).

link interface module (LIM)

A peripheral module (PM) that controls messaging between link interface units (LIU) in a link peripheral processor (LPP). The LIM also controls messages between the LPP and the DMS-bus. An LIM consists of two local message switches (LMS) and two frame transport buses (F-bus). One LMS normally operates in a load sharing mode with the other LMS. This condition allows LIM reliability when an LMS failure occurs. Each LMS has enough capacity to carry the full message load of an LMS. Each LMS uses a dedicated F-bus to communicate with the LIUs in the LPP.

link interface unit (LIU)

A peripheral module processes messages that enter and leave a link peripheral processor through an individual signaling data link. *Also refer to CCS7 link interface unit 7 (LIU7).*

link peripheral processor (LPP)

The DMS SuperNode equipment frame for DMS-STP that contains two types of PMs: a link interface module (LIM) and a link interface unit (LIU). For DMS-STP applications, link interface units for CCS7 (LIU7) are used in the LPP. *Also refer to link interface module, link interface unit for CCS7.*

LIT

Refer to line insulation test.

LIU

Refer to link interface unit.

LM

Refer to line module.

LMC

Refer to line module controller.

LME

Line module equipment

LMS

Refer to local message switch.

LNS

Refer to lines maintenance subsystem.

load

A maintenance operation to load software into a switch component like a peripheral.

local message switch (LMS)

A high-capacity communications hub that controls messaging between link interface units (LIU) in a link peripheral processor (LPP). An LMS also controls messaging between the LPP and the DMS-Bus component. The link interface module (LIM) uses a pair of LMSs to provide dual-plane redundancy.

LPP

Refer to link peripheral processor.

LTC

Refer to line trunk controller.

LTE

Line trunk equipment

magnetic tape center (MTC)

An equipment frame that contains one or more magnetic tape drives.

magnetic tape drive (MTD)

In a DMS switch, a device used to record DMS-100 Family data. An MTD can be mounted on either a magnetic tape center (MTC) frame or an input/output equipment (IOE) frame. Another name for MTD is tape drive.

magnetic tape unit (MTU)

A general term used to describe the magnetic tape recording function as a maintenance tool. The MTU can be any type of magnetic tape drive that functions in this way. Another name for MTU is tape unit.

maintenance and administration position

Refer to MAP.

maintenance trunk module (MTM)

In a trunk module equipment (TME) frame, a peripheral module (PM) is equipped with test and service circuit cards. The peripheral module contains special buses to accommodate test cards for maintenance. The MTM provides an interface between the DMS-100 Family digital network and digital or analog test and service circuits.

MAP

Maintenance and administration position. A group of components that provide a user interface between operating company personnel and the DMS-100 Family switches. The interface consists of a visual display unit (VDU) and keyboard, a voice communications module, test facilities, and special furniture.

master processor (MP)

In a DMS switch, the processor that contains the instruction set that implements the tasks assigned by the central control software. The MP performs all high-level tasks.

MCCS

Refer to Mechanized Calling Card Service.

Mechanized Calling Card Service (MCCS)

A mechanized system that allows subscribers to dial calling card calls with minimum or no operator interruption.

memory extension (MEX) frame

A frame that contains an extension to the data store (DS). A MEX frame used when the central control complex (CCC) does not have enough space to accommodate an expanded DS.

message switch (MS)

A high-capacity communications facility that functions as the messaging hub of the dual-plane combined core (DPCC) of a DMS SuperNode processor. The MS controls messaging between the DMS-Buses. The MS concentrates and distributes messages. The MS allows other DMS-STP components to communicate directly.

message switch and buffer (MSB)

A peripheral module (PM) the DMS-100 Family switches uses with a signaling terminal (ST). This module connects to and operates within a common channel signaling environment. The MSB supports the ST and routes the messages the ST receives through the network module (NM) to the digital trunk controller (DTC). The MSB also receives messages sent from the central control (CC) and routes the messages to the signaling link (SL) through the ST. A different configuration of the MSB exists for each of the two protocols used to implement common channel signaling. *Also refer to message switch and buffer 6, message switch and buffer 7.*

message switch and buffer 6 (MSB6)

The message switch and buffer (MSB) for CCITT No. 6 Signaling (N6) and Common Channel Interoffice Signaling No. 6 (CCIS6) protocol. *Also refer to message switch and buffer.*

message switch and buffer 7 (MSB7)

The message switch and buffer (MSB) for Common Channel Signaling 7 protocol. *Also refer to message switch and buffer.*

metallic test access (MTA)

A hardware device that provides metallic connections between test access points and different types of test equipment. An example of connections between test access points is in the subscriber line circuits in a digital switching center.

metallic test unit (MTU)

A circuit card that has all the capabilities of a line test unit (LTU) and can measure metering signals. International applications use MTU.

MEX

Memory extension

MMA

Maintenance (trunk) module Austria

modular supervisory panel (MSP)

The MSP accepts the frame battery feed and ground return from the power distribution center. The MSP uses the auxiliary fuses and feeds to distribute the battery feed. The MSP distributes the battery feed to the shelves of the frame or bay in which the MSP is mounted. The MSP also contains alarm circuits.

MP

Refer to master processor.

MPC

Refer to multiprotocol controller.

MS

Refer to message switch.

MSB

Refer to message switch and buffer.

MSB6

Refer to message switch and buffer 6.

MSB7

Refer to message switch and buffer 7.

MSP

Refer to modular supervisory panel.

MTC

Refer to magnetic tape center.

MTD

Refer to magnetic tape drive.

MTM

Refer to maintenance trunk module.

MTMA

Maintenance trunk module Austria.

MTU

Refer to magnetic tape unit.

multiprotocol controller (MPC)

A general-purpose card that allows data communications between a DMS-100 Family switch and an external computer. An example of data communications occurs between a central office (CO) billing computer and a DMS-100 Family switch. The MPC card is on the input/output controller (IOC) shelf. The MPC card protocol software downloads from the DMS-100 CPU and supports software routines for Data Packet Network (DPN) communications.

network module (NM)

The basic building block of the DMS-100 Family switches. The NM accepts incoming calls. The NM uses connection instructions from the central control complex to connect the incoming calls to the correct output channels. Network module controllers control the activities in the NM.

NM

Refer to network module.

OAS

Refer to Office Alarm System.

OAU

Refer to office alarm unit.

ODM

Refer to office data modification.

Office Alarm System (OAS)

A system that reports trouble conditions to office personnel. The office personnel are located on-site or at a remote site. Each problem indicates the level of emergency—critical, major, or minor.

office alarm unit (OAU)

A peripheral module (PM) located in a trunk module equipment (TME) frame. The OAU is like the maintenance trunk module (MTM). Instead of test circuits, the OAU is equipped with circuit cards. The circuit cards provide an interface with different types of office alarm circuits.

office data modification (ODM)

A class of data modification order (DMO) that modifies trunk group and network management variable factors. Also refer to data modification order.

OM

Refer to operational measurements.

on-hook balance network test

A test that determines if a loop is the loaded type or the type that is not loaded. The test displays the result on the MAP terminal.

operational measurements (OM)

The hardware and software resources of the DMS-100 Family switches on an operating system. The switches control the collection and display of measurements taken on an operating system. The OM subsystem organizes the measurement data and manages the transfer of measurement data to displays and records. The OM data is for maintenance, traffic, accounting, and provisioning decisions.

packaged core line module (PCLM)

A DMS-100 packaged switch frame that contains two dual-shelf line concentrating modules (LCM).

packaged core memory module (PCMM)

A DMS-100 packaged switch frame that contains a magnetic tape drive (MTD), a disk drive unit (DDU), and two data store (DS) shelves.

packaged core power module (PCPM)

A DMS-100 packaged switch frame that contains two packaged trunk modules (PTM). The frame also contains a compressed power distribution center (PDC), and a disk drive unit (DDU).

packaged trunk module (PTM)

A DMS-100 packaged system peripheral module that encodes and multiplexes incoming speech. The incoming speech is from a maximum of 30 analog trunks into 8 bit pulse code modulation (PCM) format. The PTM combines the information with internal and supervisory control signals for transmission at 2.56 Mbps to the network.

PCLM

Refer to packaged core line module.

PCM-30

- A 32-channel 2.048-Mbit/s speech-signaling and message-signaling link used in international trunks.
- The protocol that PCM-30 links use to communicate.

PCM-30 digital trunk controller (PDTC)

A digital trunk interface that has the hardware configuration of an international digital trunk controller. The interface runs the software of a digital trunk controller.

PCM level meter (PLM)

A test circuit card used in the maintenance trunk module (MTM). The card measures the equivalent analog level of pulse code modulated speech or tone samples.

PCMM

Refer to packaged core memory module.

PCPM

Refer to packaged core power module.

PDC

Refer to power distribution center.

PDTC

Refer to PCM-30 digital trunk controller.

peripheral module (PM)

A generic term that refers to all hardware modules in the DMS-100 Family switches. The module provides interfaces with external line, trunk, or service facilities. A PM contains peripheral processors (PP), that performs local routines, and relieve the load on the CPU.

peripheral processor (PP)

A hardware device in the peripheral module (PM) that performs local processing separate from the CPU. Read-only memory (ROM) in the PM drives the PP. This action releases CPU run time for higher level activities.

PLM

Refer to PCM level meter.

PM

Refer to peripheral module.

power distribution center (PDC)

The frame that contains the components that distribute office battery feeds to equipment frames of the DMS-100 Family switches. The PDC accepts A and B cables from the office battery and provides protected auxiliary feeds to each frame or shelf. The PDC also contains noise suppression and alarm circuits and provides a dedicated feed for the alarm battery supply.

PP

Refer to peripheral processor.

PTM

Refer to packaged trunk module.

REX (test)

Refer to routine exercise (test).

routine exercise (REX) test

An automatic test that internal software performs at normal intervals on DMS equipment.

SCP

Refer to service control point.

SCPII

An enhancement of the service control point (SCP). Refer to service control point (SCP).

SD

Refer to signal distribution.

service control point (SCP)

A node in a Common Channel Signaling 7 signaling network that supports application databases. The SCP accepts enquiries for information. The SCP retrieves the requested information from one of its application databases. The SCP sends a response message to the originator of the request.

service switching point (SSP)

A Common Channel Signaling 7 signaling node that interacts with the service control point (SCP) to implement special service code features.

service trunk module (STM)

In the DMS-100 Family, a peripheral module that consists of two compact maintenance trunk modules.

signal distribution (SD)

A method to convert digital control messages addressed to a trunk or service circuit into supervisory signals. These supervisory signals are compatible with the characteristics of the associated trunk or service facility.

signaling terminal (ST)

The hardware that performs error checking, coding, and decoding of signaling messages. In Common Channel Interoffice Signaling No. 6 (CCIS6) and CCITT No. 6 Signaling (N6), ST consists of different items. The items include a signaling terminal controller, a modem, and a modem interface card. In Common Channel Signaling 7, the signaling terminal is a single card.

SIT

Refer to special information tone.

SLM

Refer to system load module.

special information tone (SIT)

A tone that gives information to the caller that indicates the condition of the call. For example, a 120 impulses-per-minute tone indicates that the call can not complete. A reason a call does not complete is because available paths to the called line are not available.

SRC

Refer to system recovery controller.

SSP

Refer to service switching point.

ST

Refer to signaling terminal.

ST6E

Signaling terminal 6 equipment

ST7E

Signaling terminal 7 equipment

STM

Refer to service trunk module.

system load module (SLM)

A mass storage system in a DMS SuperNode processor that stores office images. From the SLM, new loads or stored images boot into the computing module (CM).

system recovery controller (SRC)

A software application that interfaces between the DMS-core and the subsystems. This action recovers subsystems automatically and efficiently.

TC

Refer to toll completing.

TDF

Refer to trunk distribution frame.

TLC

Refer to trunk logic circuit.

TM

Refer to trunk module (TM).

TME

Trunk module equipment

toll completing (TC)

In a DMS, TC is a trunk circuit that can interface with a toll connecting trunk facility.

toll connecting trunk

A trunk that connects a class five office to the direct distance dialing network.

toll switching (TS)

In a DMS, a trunk circuit that can interface with a toll connecting trunk facility.

toll tandem (TT)

A type of trunk circuit used to interface with an intertoll or toll tandem trunk.

transhybrid loss test

A test that measures loss between the line card and the network. For the line circuit tested, expected loss compares with measured loss. Measurements less than or equal to the established threshold are reported as passed. Measurements that exceed the threshold values are reported as failed.

transmission test trunk (TTT)

A DMS facility the trunk test position uses to provide circuits to perform loss and noise measurements.

transmission test unit (TTU)

A digital signal processor that performs transmission measurements on DMS lines and trunks.

trunk distribution frame (TDF)

A distribution frame dedicated to trunk circuits.

trunk logic circuit (TLC)

A digital circuit that provides a buffer for the transfer of data. The receive-data and transmit-data buses transfer the data. The buses can be on the maintenance trunk module, office alarm unit, trunk module, and other peripheral modules.

trunk module (TM)

A peripheral module (PM), in a trunk module equipment (TME) frame, that provides speech and signaling interfaces between a DS30 network port and analog trunks.

trunk module equipment (TME) frame

A frame that contains one or more trunk modules (TM), maintenance trunk modules (MTM), or office alarm units (OAU).

trunk test center (TTC)

The area of a DMS-100 Family office where the MAP is used as a trunk test position.

trunk test position (TTP)

A MAP that is specially equipped to perform trunk testing.

TS

Refer to toll switching.

TT

Refer to toll tandem.

TTC

Refer to trunk test center.

TTT

Refer to transmission test trunk.

TTP

Refer to trunk test position.

TTU

Refer to transmission test unit.

VE:S

Special services trunk exchange

XLCM

Refer to extended line concentrating module.

XMS-based peripheral module (XPM)

The generic name for XMS peripheral modules (PM) that use the Motorola 68000 microprocessor. An XPM has two processors in a hot standby configuration. These processors are a master processor (MP) and a signaling processor (SP).

XPM

Refer to XMS-based peripheral module.

DMS-100 Family
**Digital Recorded
Announcement Machine**
DRAM and EDRAM Guide

© 1982, 1984, 1985, 1986, 1987, 1988, 1990, 1991, 1993,
1994, 1995, 1996, 1997, 1999 Northern Telecom
All rights reserved

NORTHERN TELECOM CONFIDENTIAL: The information contained in this document is the property of Northern Telecom. Except as specifically authorized in writing by Northern Telecom, the holder of this document shall keep the information contained herein confidential and shall protect same in whole or in part from disclosure and dissemination to third parties and use same for evaluation, operation, and maintenance purposes only.

Information is subject to change without notice. Northern Telecom reserves the right to make changes in design or components as progress in engineering and manufacturing may warrant. This equipment has been tested and found to comply with the limits for a Class A digital device pursuant to Part 15 of the FCC Rules, and the radio interference regulations of the Canadian Department of Communications. These limits are designed to provide reasonable protection against harmful interference when the equipment is operated in a commercial environment. This equipment generates, uses and can radiate radio frequency energy and, if not installed and used in accordance with the instruction manual, may cause harmful interference to radio communications. Operation of this equipment in a residential area is likely to cause harmful interference in which case the user will be required to correct the interference at the user's own expense. Allowing this equipment to be operated in such a manner as to not provide for proper answer supervision is a violation of Part 68 of FCC Rules, Docket No. 89-114, 55FR46066. The SL-100 system is certified by the Canadian Standards Association (CSA) with the Nationally Recognized Testing Laboratory (NRTL). This equipment is capable of providing users with access to interstate providers of operator services through the use of equal access codes. Modifications by aggregators to alter these capabilities is a violation of the Telephone Operator Consumer Service Improvement Act of 1990 and Part 68 of the FCC Rules

DMS, DMS SuperNode, MAP, and NT are trademarks of Northern Telecom.

Publication number: 297-1001-527

Product release: BASE09 and up

Document release: Standard 13.06

Date: August 1999

Printed in the United States of America

NORTEL
NORTHERN TELECOM