

Critical Release Notice

Publication number: 297-8021-351
Publication release: Standard 12.02

Attention!

The North America DMS-100 Data Schema Reference Manual, 297-8021-351, will continue to be updated and provided in the North America - DMS NTP collection.

The content of this customer NTP supports the SN09 (DMS) software release.

Bookmarks used in this NTP highlight the changes between the NA015 baseline and the SN08 (DMS) release. The bookmarks provided are color-coded to identify release-specific content changes. NTP volumes that do not contain bookmarks indicate that the NA015 baseline remains unchanged and is valid through the SN08 (DMS) release.

Bookmark Color Legend

Black: Applies to content for the NA015 baseline that is valid through the current release.

Red: Applies to new or modified content for NA017 that is valid through the current release.

Blue: Applies to new or modified content for NA018 (SN05 DMS) that is valid through the current release.

Green: Applies to new or modified content for SN06 (DMS) that is valid through the current release.

Purple : Applies to new or modified content for SN07 (DMS) that is valid through the current release.

Pink: Applies to new or modified content for the SN08 (DMS) that is valid through the current release.

Orange: Applies to new or modified content for SN09 (DMS) that is valid through the current release.

Attention!

Adobe ® Acrobat ® Reader ™ 5.0 or higher is required to view bookmarks in color.

Publication History

Note: Refer to the NA015 baseline document for Publication History prior to the NA017 software release.

January 2006

Standard NTP release 12.02 for the SN09 (DMS) software release.

Volume 1

Modified data schema – AMAOPTS (A00009252)

Volume 4

Modified data schema – ESAPXLA (Q01228425-01)

Volume 6

Modified data schema – IPNETWRK (Q01215905 and Q01227402)

Volume 7

Modified data schema – LNSMTCE (Q00959081)

Volume 9

New data schema – PATHSET (modified by Q01077097)

New data schema – SBSRMINV (Q01063949)

Volume10

New data schema – SERVIRINV (Q01063949)

Volume12

Deleted the term TBD, which occurred in two places in this volume.

September 2005

Preliminary NTP release 12.01 for the SN09 (DMS) software release.

Volume 1

Modified data schema – AMAOPTS (A00009252, A00009508); ANNMEMS, ANNPHLST (A00009013)

Volume 8

Modified data schema – OAFUNDEF (A00009012)

Volume 9

Modified data schema – SCAICOMS (A00009078)

Volume 11

Modified data schema – TOPSFTR (A00009012)

Volume 12

Modified data schema – TRKSGRP type ISDN (Q01112597)

Modified data schema – XPMIPMAP (A00009011)

August 2005

Standard NTP release 11.03 for the SN08 (DMS) software release.

Volume 5

Modified data schema – IBNFEAT feature SimRing

Volume 6

Modified data schema – KSETFEAT feature SimRing

Volume 7

Modified data schema – LTCINV

Volume 11

New data schema – TOPSMCDB

Modified data schema – TOPSTOPT

June 2005

Standard NTP release 11.02 for the SN08 (DMS) software release.

The following Data Schema content is updated for the SN08 (DMS) release. Content provided in this NTP is not superseded by content provided in the replacement NTP as indicated for the Preliminary release.

Volume 3

New data schema – CUSTSTN option CNDBO

Volume 4

Modified data schema – EADAS

Volume 6

New data schema – KSETINV

New data schema – LCMINV

Volume 8

New data schema – NSCDEFS

New data schema – NSCPMAP

March 2005

Preliminary NTP release 11.01 for the SN08 (DMS) software release.

The following updated Data Schema content is provided in the Carrier VoIP Operational Configuration: Data Schema Reference NTP, NN10324-509. The content provided in NTP 297-8021-351 is superseded by the content provided in NTP NN10324-509.

ACDMISPL
CGBLDADD
CGBLDDGL
CGBLDDIG
CGBLDNI
CGBLDPI
CGPNBLDR
CUSTSTN_OPTION_DBO
EDAS
IBNLINES
ISERVOPT
KSETINV
TLDSIAMA_OPTS
TRKSGRP_TYPE_C7UP

The following new Data Schema content is provided in the Carrier VoIP Operational Configuration: Data Schema Reference NTP, NN10324-509. This content will not be provided in NTP 297-8021-351.

CGBLDSIN
LOGTHROT
NTPOLL

October 2005

Standard release 10.04 for software release SN07 (DMS). Updates made in the North American Data Schema Reference Manual are shown below

Volume 2

Table BEARNETS description added for CR Q01083765.

Volume 3

Table DESDATA description added for CR Q01083765.

Volume 4

Table DPTRKMEM was created as part of activity A59015739 in an earlier release. Documentation updated for CR Q01083781.

Volume 5

Table IHEADRR description added for CR Q01083765.

Volume 8

Table NET2NET description added for CR Q01083765

Table NETBRDGE description added for CR Q01083765

Table NETPATH description added for CR Q01083765

Volume 9

Table PCEMENTT was created as part of activity A00007196 in an earlier release.
Documentation updated for CR Q01077110.

Table PCEMFEID was created as part of activity A00007196 in an earlier release.
Documentation updated for CR Q01077137.

Table PRSUDATA description added for CR Q01083765.

Table PVDNCHAN description modified for CR Q00806759/Q01207784

Volume 10

Table SELDEFS and table SETDEFS descriptions added for CR Q01083765.

December 2004

Standard release 10.03 for software release SN07 (DMS). Updates made in the North America Data Schema Reference Manual are shown below

Volume 9

Table PECINV amended for CR Q00900178

Standard release 10.02 for software release SN07 (DMS). Updates made in the North America Data Schema Reference Manual are shown below

Volume 1

AINPRESC (new), ACDENLOG, ACDGRP, ACDLOGIN, ANNS

Volume 2

No changes

Volume 3

CMIPADDR, CUSTSTN option AINDENY

Volume 4

No changes

Volume 5

IBNFEAT feature ACD, IBNFEAT feature SUPR

Volume 6

IPAPPL (new), KSETFEAT feature SUPR, KSETFEAT feature IPCLIENT, KSETLINE feature ACD

Volume 7

No changes

Volume 8

MULTITM (new), OAFUNDEF, OANODINV

Volume 9

PADDDATA, QMSMIS

Volume 10

No changes

Volume 11

TOPSFTR, TOPTDROP, TRIGINFO, TRIGITM, TRKAIN

Volume 12

No changes

September 2004

Preliminary release 10.01 for software release SN07 (DMS). Updates made in the North America Data Schema Reference Manual are shown below

Volume 1

ACDENLOG, ACDGRP, ACDLOGIN

Volume 2

AUTHCDE

Volume 3

CUSTN, CUSTN option VOWDN (new)

Volume 4

DIRPOOL2 (new), DIRPPool, DNROUTE, DNROUTE feature VOWDN (new)

Volume 5

IBNFEAT feature ECM, IBNXLA

Volume 6

ISUPTRK, KSETFEAT feature ECM

Volume 7

LIUINV, LTCINV, MNHSCARR, MSCIDMAP (new), MSCINMAP (new)

Volume 8

MUMRTAB

Volume 9

RESFEAT

Volume 10

TDBDAOPT, TMTMAP

Volume 11

TOLLTRKS, TOPSFTR, TOPSPARM, TOPSTLDN

Volume 12

TRKOPTS, VOWINV (new), XLABILL (new), XLACCLASS (new)

March 2004

Standard release 09.03 for software release SN06 (DMS). Updates made in the North America Data Schema Reference Manual are shown below.

Volume 1

DCA references changed / made obsolete

Volume 2

CARRMTC, C7UPTMR

Volume 3

DCA references changed / made obsolete

Volume 4

DNROUTE, DNROUTE feature DISA

Volume 5-6

No changes

Volume 7

LNPOPTS, LTDATA

Volume 8

OPTOPT

Volume 9

PADDATA, RDTINV

Volume 10

SUSHELF, SYNCLK, DCA references changed / made obsolete

Volume 11-12

No changes

September 2003

Standard release 09.02 for software release SN06 (DMS). Updates made in the North America Data Schema Reference Manual are shown below.

Volume 1

No changes

Volume 2

BCCODES

Volume 3

CSEDPMAP

Volume 4

DSLIMIT, FNPACONT.RTEREF

Volume 5

HNPACONT.RTEREF, IBNFEAT feature MWT, IBNLINES option MDN, IBNLINES option STN, IBNRTE selector CND, IBNRTE selector NOT, IBNXLA, IBNXLA selector FTR type LSPKP

Volume 6

ISDNPARM, ISERVOPT, KSETLINE

Volume 7

LENLINES, LTCINV, MNMGPIP

Volume 8

OFRT selector CND, OFRT selector NOT

Volume 9

No changes

Volume 10

STDPRTCT.STDPRT selector E911

Volume 11

TODHEAD, TONES, TRKGRP E911, TRKGRP type IT

Volume 12

TRKOPTS, VFGDATA, VIRGRPS

June 2003

Preliminary release 09.01 for software release SN06 (DMS). Updates made in the North America Data Schema Reference Manual are shown below.

Volume 1

ACRTE, ALMSC, ALMSCGRP, ALMSD, ALDSDGRP, ANNAUDID (new), ANNMEMS, ANNPHLST (new)

Volume 2

No changes

Volume 3

CSEDPMAP (new), CUSTN option CFIND, DEFDATA

Volume 4

FNPACONT

Volume 5

HNPACONT, IBNFEAT feature CFIND, IBNLINES, IBNRTE selector CND, IBNRTE selector NOT

Volume 6

ISERVOPT, KSETLINE

Volume 7

LRGPINV (new), LTDATA, MNCKTPAK, MNIPPARM (new), MNNODE

Volume 8

OFRT selector CND, OFRT selector NOT

Volume 9

PADDDATA, REXSCHED

Volume 10

SERVSINV, SPMECAN, SPMLDVAL (new), STDPRTCT.STDPRT selector E911

Volume 11

TODHEAD, TONES, TRKGRP E911, TRKGRP type IT

Volume 12

TRKMEM, TRKOPTS, TRKSGRP, VFGDATA, VIRTGRPS

This page is intentionally blank.

297-8021-351

DMS-100 Family

North American DMS-100

Customer Data Schema Reference Manual Volume 6 of 12

Data Schema IOC-LENFEAT feature WML

LET0015 and up Standard 05.02 May 2001

DMS-100 Family

North American DMS-100

Customer Data Schema Reference Manual Volume 6 of 12

Data Schema IOC-LENFEAT feature WML

Publication number: 297-8021-351

Product release: LET0015 and up

Document release: Standard 05.02

Date: May 2001

Copyright © 1996-2001 Nortel Networks,
All Rights Reserved

Printed in the United States of America

NORTEL NETWORKS CONFIDENTIAL: The information contained herein is the property of Nortel Networks and is strictly confidential. Except as expressly authorized in writing by Nortel Networks, the holder shall keep all information contained herein confidential, shall disclose the information only to its employees with a need to know, and shall protect the information, in whole or in part, from disclosure and dissemination to third parties with the same degree of care it uses to protect its own confidential information, but with no less than reasonable care. Except as expressly authorized in writing by Nortel Networks, the holder is granted no rights to use the information contained herein.

Information is subject to change without notice. Nortel Networks reserves the right to make changes in design or components as progress in engineering and manufacturing may warrant. Changes or modification to the DMS-100 without the express consent of Nortel Networks may void its warranty and void the user's authority to operate the equipment.

Nortel Networks, the Nortel Networks logo, the Globemark, How the World Shares Ideas, Unified Networks, DMS, DMS-100, Helmsman, MAP, Meridian, Nortel, Northern Telecom, NT, SuperNode, and TOPS are trademarks of Nortel Networks.

Contents

Customer Data Schema Reference Manual Volume 6 of 12 Data Schema IOC-LENFEAT feature WML

NTP Summary Contents ix

1	Data schema tables	1-1
	IOC 1-2	
	IOPRTRAN 1-9	
	IPCOMID 1-11	
	IPHOST 1-14	
	IPINV 1-25	
	IPMLINV 1-36	
	IPNETWRK 1-43	
	IPROUTER 1-47	
	IPSCP 1-50	
	IPSVCS 1-53	
	IPTHRON 1-56	
	IRLNKINV 1-61	
	ISAINFO 1-66	
	ISAMENU 1-79	
	ISAXLA 1-87	
	ISCTAB 1-90	
	ISDNBILL 1-93	
	ISDNPARM 1-96	
	ISDNPROT 1-101	ISERVOPT 1-aa to 1-bv
	ISGDEF 1-108	
	ISGTDM 1-113	
	ISTRKGRP 1-117	
	ISUPDEST 1-120	
	ISUPSERV 1-123	
	ISUPTRK 1-126	
	KP2TRUNK 1-137	
	KSETFEAT 1-139	
	KSETFEAT feature 3WC 1-214	
	KSETFEAT feature 3WC PUB 1-216	
	KSETFEAT feature AAB 1-219	
	KSETFEAT feature ACB 1-221	
	KSETFEAT feature ACDNR 1-223	

KSETFEAT feature ACOU	1-225
KSETFEAT feature ACRJ	1-227
KSETFEAT feature AFC	1-229
KSETFEAT feature AIN	1-231
KSETFEAT feature AINDENY	1-234
KSETFEAT feature AR	1-235
KSETFEAT feature ASL	1-237
KSETFEAT feature ASP	1-240
KSETFEAT feature AUD	1-241
KSETFEAT feature AUL	1-243
KSETFEAT feature AUTODISP	1-245
KSETFEAT feature BBGI	1-247
KSETFEAT feature BC	1-249
KSETFEAT feature BCLID	1-252
KSETFEAT feature BLF	1-254
KSETFEAT feature CCV	1-257
KSETFEAT feature CFB	1-259
KSETFEAT feature CFD	1-263
KSETFEAT feature CFDVT	1-268
KSETFEAT feature CFFPOVR	1-270
KSETFEAT feature CFTB	1-272
KSETFEAT feature CFTD	1-274
KSETFEAT feature CFUIF	1-276
KSETFEAT feature CFX	1-282
KSETFEAT feature CFXDNCT	1-297
KSETFEAT feature CFXVAL	1-300
KSETFEAT feature CIDS DLV	1-302
KSETFEAT feature CIDSSUP	1-304
KSETFEAT feature CIF	1-306
KSETFEAT feature CLI	1-308
KSETFEAT feature CNF	1-310
KSETFEAT feature COT	1-313
KSETFEAT feature CPR	1-316
KSETFEAT feature CPU	1-318
KSETFEAT feature CRBL	1-322
KSETFEAT feature CSMI	1-324
KSETFEAT feature CTD	1-327
KSETFEAT feature CUG	1-329
KSETFEAT feature CWD	1-331
KSETFEAT feature CWT	1-333
KSETFEAT feature CXR	1-336
KSETFEAT feature DASK	1-342
KSETFEAT feature DBC	1-344
KSETFEAT feature DCC	1-346
KSETFEAT feature DCPK	1-348
KSETFEAT feature DIN	1-350
KSETFEAT feature DMCT	1-353
KSETFEAT feature DND	1-355
KSETFEAT feature DQS	1-357
KSETFEAT feature DQT	1-359
KSETFEAT feature DRING	1-362

KSETFEAT feature DROP	1-366
KSETFEAT feature EBO	1-368
KSETFEAT feature ECM	1-370
KSETFEAT feature EMK	1-374
KSETFEAT feature EMW	1-376
KSETFEAT feature FAA	1-379
KSETFEAT feature FC	1-381
KSETFEAT feature FCTDINT	1-383
KSETFEAT feature FXR	1-385
KSETFEAT feature GIAC	1-387
KSETFEAT feature HF, HFMUTE, MUTE, SOFTKEY	1-389
KSETFEAT feature ICM	1-390
KSETFEAT feature INSPECT	1-393
KSETFEAT feature INTPIC	1-395
KSETFEAT feature ISA	1-397
KSETFEAT feature KSH	1-399
KSETFEAT feature LMOH	1-403
KSETFEAT feature LOB	1-405
KSETFEAT feature LOCAL	1-407
KSETFEAT feature LPIC	1-409
KSETFEAT feature LSPSO	1-411
KSETFEAT feature LVM	1-413
KSETFEAT feature MBSCAMP	1-415
KSETFEAT feature MCH	1-417
KSETFEAT feature MIPHONE	1-419
KSETFEAT feature MRFM	1-421
KSETFEAT feature MSB	1-424
KSETFEAT feature MWIDC	1-427
KSETFEAT feature MWQRY	1-428
KSETFEAT feature MWT	1-429
KSETFEAT feature NDNAP	1-432
KSETFEAT feature NGTSRVCE	1-434
KSETFEAT feature NRS	1-436
KSETFEAT feature OBS	1-439
KSETFEAT feature OLS	1-443
KSETFEAT feature PBL	1-445
KSETFEAT feature PCACIDS	1-447
KSETFEAT feature PF	1-449
KSETFEAT feature PIC	1-452
KSETFEAT feature PRK	1-454
KSETFEAT feature PRL	1-456
KSETFEAT feature PRV	1-458
KSETFEAT feature QBS	1-460
KSETFEAT feature QCK	1-463
KSETFEAT feature QTD	1-465
KSETFEAT feature RAG	1-466
KSETFEAT feature RMB	1-468
KSETFEAT feature RSUS	1-471
KSETFEAT feature SACB	1-474
KSETFEAT feature SCF	1-478
KSETFEAT feature SCL	1-480

KSETFEAT feature SCS	1-483
KSETFEAT feature SDY	1-485
KSETFEAT feature SEC	1-487
KSETFEAT feature SHU	1-489
KSETFEAT feature SimRing	1-492
KSETFEAT feature SLQ	1-495
KSETFEAT feature SLU	1-498
KSETFEAT feature SMDI	1-500
KSETFEAT feature SOR	1-502
KSETFEAT feature SPB	1-505
KSETFEAT feature SSAC	1-508
KSETFEAT feature SUPR	1-511
KSETFEAT feature TBO	1-514
KSETFEAT feature TLS	1-516
KSETFEAT feature TRANSFER	1-518
KSETFEAT feature TRKDISP	1-523
KSETFEAT feature UCDLG	1-525
KSETFEAT feature UCDSD	1-527
KSETFEAT feature VMEADENY	1-529
KSETFEAT feature VMEADN	1-531
KSETFEAT feature WML	1-533
KSETFEAT feature WUCR	1-536
KSETFEAT feature XFER	1-537
KSETFEAT feature XXTRG	1-541
KSETFEAT option JOIN	1-543
KSETINV	1-545
KSETKEYS	1-560
KSETLINE	1-571
KSETLINE format ACD	1-594
KSETLINE format DN	1-606
KSETLINE format GIC	1-619
KSETLINE format MDN	1-622
KSETQCK	1-632
KTGROUP	1-635
KTMINMAX	1-637
KTPARMS	1-639
L2ABNLOG	1-645
L3ABNLOG	1-653
LAC	1-661
LAMABC	1-663
LATANAME	1-665
LATAXLA	1-668
LCA6SCRN	1-672
LCAINFO	1-675
LCASCRCN	1-679
LCASCRCN.LCASCRCN	1-691
LCCOPT	1-693
LCLRS	1-702
LCLRSI	1-706
LCMDRINV	1-707
LCMINV	1-723

LDTINV	1-754
LENFEAT	1-758
LENFEAT feature ADL	1-782
LENFEAT feature AIN	1-785
LENFEAT feature AIOD	1-788
LENFEAT feature AUL	1-791
LENFEAT feature BCLID	1-793
LENFEAT feature CDA	1-795
LENFEAT feature CFFPOVR	1-803
LENFEAT feature CLI	1-805
LENFEAT feature CSDDS	1-807
LENFEAT feature CTD	1-810
LENFEAT feature ESG	1-814
LENFEAT feature ESL	1-819
LENFEAT feature EWAL	1-823
LENFEAT feature EWALI	1-827
LENFEAT feature FCTDINT	1-829
LENFEAT feature FRO	1-831
LENFEAT feature FRS	1-834
LENFEAT feature HTL	1-837
LENFEAT feature IDND	1-840
LENFEAT feature ILR	1-842
LENFEAT feature INDC	1-847
LENFEAT feature INTPIC	1-849
LENFEAT feature LPIC	1-851
LENFEAT feature LPSO	1-854
LENFEAT feature MBK	1-856
LENFEAT feature MPB	1-859
LENFEAT feature OUTWT	1-862
LENFEAT feature PIC	1-865
LENFEAT feature RMB	1-868
LENFEAT feature RMP	1-871
LENFEAT feature RMS	1-874
LENFEAT feature RSUS	1-877
LENFEAT feature SC1	1-880
LENFEAT feature SC2	1-883
LENFEAT feature SCMP	1-886
LENFEAT feature SDN	1-888
LENFEAT feature SDY	1-892
LENFEAT feature SHU	1-895
LENFEAT feature SLU	1-898
LENFEAT feature SPB	1-900
LENFEAT feature TBO	1-903
LENFEAT feature WLN	1-906
LENFEAT feature WML	1-912

NTP Summary Contents

Customer Data Schema Reference Manual Volume 1 of 12

Data Schema AABSFILT-ATTSCHEM

Customer Data Schema Reference Manual Volume 2 of 12

Data Schema AUDALARM-CCVPARMS

Customer Data Schema Reference Manual Volume 3 of 12

Data Schema CDACCESS-DFINV

Customer Data Schema Reference Manual Volume 4 of 12

Data Schema DGCODE-FTRGMEMS

Customer Data Schema Reference Manual Volume 5 of 12

Data Schema FTRGOPTS-INWTMAP

Customer Data Schema Reference Manual Volume 6 of 12

Data Schema IOC-LENFEAT feature WML

Customer Data Schema Reference Manual Volume 7 of 12

Data Schema LENLINES-MSRTAB

Customer Data Schema Reference Manual Volume 8 of 12

Data Schema MTAHORIZ-OPTOPT

Customer Data Schema Reference Manual Volume 9 of 12

Data Schema OQCQPROF-SCALLTAB

Customer Data Schema Reference Manual Volume 10 of 12

Data Schema SCCPTMR-TMZONE

Customer Data Schema Reference Manual Volume 11 of 11

Data Schema TODHEAD-TRKGRP type NU

Customer Data Schema Reference Manual Volume 12 of 12

Data Schema TRKGRP type OC-ZONEORDR

1 Data schema tables

The following pages contain the data schema tables.

IOC

Table name

Input/Output Controller Table

Functional description

Table IOC contains assignment data for input/output controller (IOC) and message. This table contains assignment data for device controller (MDC) modules with:

- product engineering code (PEC) NT2X76AA or NT2X76BA
- IOC modules NT1X61AA or NT1X61AB
- input/output modules (IOM) NTFX30AA

Datafill sequence and meaning

You do not need to enter data in other tables before you enter data in table IOC.

Enter data in the following tables after you enter data in table IOC:

- DDU
- DLCDEV
- DPACDEV
- MPC
- MTD
- NX25
- TERMDEV

Table size

0 to 13 tuples

IOC (continued)**Datafill**

The datafill for table IOC appears in the following table.

Field descriptions (Sheet 1 of 2)

Field	Subfield or refinement	Entry	Explanation and action
IOCNO		0 to 19	<p><i>Input/output controller number.</i> Enter the number assigned to the input/output controller (IOC) or message and device controller (MDC) module.</p> <p>The following two factors determine the maximum number of IOCs in a DMS-100:</p> <ul style="list-style-type: none"> • The configuration of a system. The configuration includes the number of networks and the number of central message controller (CMC)/message switch (MS) interface cards provisioned. • Limit for software to support maintenance functions for IOCs and connected devices without impacting the performance of the system.
FRTYPE		CCC, IOE, MCCM, MCEX, MCGM, or MTC	<p><i>Frame type.</i> Enter the frame type of the module.</p> <p>Enter CCC (central control complex) if the module is an MDC.</p> <p>Enter MTC (magnetic tape center) or IOE (input/output equipment) if the module is an IOC.</p> <p>Enter IOE (input/output equipment) if the module is an IOM.</p> <p>Enter MCCM (Meridian cabinet core module) for the cabinetized Meridian 1 (options 111-211) if the module is a central message controller IOC (CMC/IOC).</p> <p>Enter MCGM (Meridian cabinet general module) for the cabinetized Meridian 1 (options 111-211) if the module is an IOC.</p> <p>Enter MCEX for the Meridian cabinet EIOC extension module.</p>
FRNO		0 to 2	<p><i>Frame number.</i> Enter the frame number of the MTC or CCC frame that the IOC or MDC is on.</p> <p>Entries outside this range are not correct.</p>

IOC (continued)**Field descriptions (Sheet 2 of 2)**

Field	Subfield or refinement	Entry	Explanation and action
SHPOS		04, 18, 32, or 65	<i>Shelf position.</i> Enter shelf position 04, 18, or 32 for the IOC. Enter 65 for the MDC module.
FLOOR		0 to 99	<i>Floor.</i> Enter the number assigned to the floor or remote location of the MTC or CCC frame equipped with the IOC or MDC module.
ROW		A to Z, AA to ZZ except I, O, II, or OO	<i>Row.</i> Enter the row designation on the floor of the location of the MTC or CCC frame that mounts the IOC or MDC module.
FRPOS		0 to 99	<i>Frame position.</i> Enter the position number in the row, of the MTC or CCC frame that has the IOC or MDC module.

NT40 switch

If the switch type is NT40, enter data in fields CMCCARD and CMCPORT. This datafill appears in the following table.

Field descriptions for conditional datafill

Field	Subfield or refinement	Entry	Explanation and action
	CMCCARD	0 to 13	<i>Central message controller card.</i> Enter the number of the central message controller card assigned to the IOC.
	CMCPORT	0 to 4	<i>Central message controller port.</i> Enter the central message controller port number assigned to the IOC. Proceed to field PECINFO on the following page.

IOC (continued)**SuperNode switch**

If the switch type is SuperNode, enter data in fields MSCARD and MSPORT.
This datafill appears in the following table.

Field descriptions for conditional datafill

Field	Subfield or refinement	Entry	Explanation and action
	MSCARD	6 to 23	<i>Message switch controller card.</i> Enter the number of the message switch controller card assigned to the IOC.
	MSPORT	0 to 15	<i>Message switch controller port .</i> Enter the number of the message switch controller port number assigned to the IOC. Proceed to field PECINFo on the following page.

IOC (continued)

NT40 and SuperNode switches

For both NT40 and SuperNode switches, enter data in field PECINFO. This datafill appears in the following table.

Field descriptions for conditional datafill

Field	Subfield or refinement	Entry	Explanation and action
	PECINFO	1X6106 1X61AA 1X61AB 2X7606 2X76AA 2X76BA 7X28 NX34AA NX3401 FX30AA	<p><i>Product engineering code.</i> Enter the product engineering code (PEC) that corresponds to the module. All PECs normally begin with the letters NT. When you enter data, omit these first two letters.</p> <p>The default value is 1X61AA.</p> <p>Enter 1X6106 (IOC shelf assembly) for the Meridian cabinet general module.</p> <p>Enter 1X61AA or 1X61AB (IOC shelf) for the IOC module.</p> <p>Note: NT1X61AB replaces NT1X61AA.</p> <p>Enter 2X7606 (central message and I/O device controller shelf assembly) for the Meridian cabinet core module.</p> <p>Enter 2X76AA or 2X76BA (central message and I/O device shelf) for the MDC module.</p> <p>Note: NT2X76BA replaces NT2X76AA.</p> <p>Enter 7X28 (central message device controller and memory (MDC) shelf assembly) for the combined CMC IOC and DS shelf memory.</p> <p>Enter NX3401 (dual IOC shelf assembly) for the Meridian cabinet EIOC extension module.</p> <p>Note: NTN38BA replaces NTN34AA. Enter data in the two PECs as NX3401.</p> <p>Enter FX30AA for the IOM peripheral.</p>

IOC (continued)**PECINFO = FX30AA**

If the entry in field PECINFO is FX30AA, enter data in refinements. This datafill appears in the following table.

Field descriptions for conditional datafill

Field	Subfield or refinement	Entry	Explanation and action
	PMTYPE	alphanumeric (a maximum of 8 characters)	<i>Peripheral module type.</i> Enter the type of peripheral module.
	PMNO	0 to 2047	<i>Peripheral module number.</i> Enter the number of the peripheral module.
	CARD_POSITION	0 to 37	<i>Card position.</i> Enter the location of the card field PECINFO identifies.
	DFILE	alphanumeric (a maximum of 8 characters)	<i>Download file.</i> Enter the name of the file downloaded to the IOM.
	DVNAME	alphanumeric (a maximum of 12 characters)	<i>Device name.</i> Enter the device name.

Datafill example

Sample datafill for table IOC appears in the following example.

The assignments associated with an IOC for an NT40 type switch with a CMC appear in this example.

MAP example for table IOC

```

IOCNO FRTYPE
      FRNO SHPOS FLOOR ROW FRPOS MSCARD MSPORT  PECINFO
-----
0      IOE
      0      4      0      A      6      23      0      1X61AB

```

IOC (end)

Table history

CSP06

The entry FX30AA was added to field PECINFO in CSP06.

BCS36

Entry range for fields IOC and MSCARD was corrected in BCS36. A note about the maximum number of IOCs was included in this release.

IOPRTRAN**Table name**

GTOPS Operator Translations Table

Functional description

Table IOPRTRAN is used by the key function procedure for those keys which require the operator to input CLG and CLD numbers to be used for outpulsing.

Datafill sequence and implications

The following tables must be datafilled after table IOPRTRAN.

- ITOPSPOS
- ITOPSOPR
- ITOPS

Table size

0 to 3 tuples

Datafill

The following table lists datafill for table IOPRTRAN.

Field descriptions

Field	Subfield or refinement	Entry	Explanation and action
TRANFOR		OPERCLD, OPERCLG, FOREIGN, or SPL	Translations for the given context. Enter OPERCLD for CLD, also RLS CLD, START sequence. Enter OPERCLG for CLG, also RLS CLG, START sequence. Enter FOREIGN for FOR, used for foreign calls. Enter SPL for SPL, special billing numbers (third).
XLADSEL		UNIV, NALT, or NETATTR	Translations selector. Enter UNIV, the only translation system for international. Do not use NALT or NETATTR.

IOPRTRAN (end)

Field descriptions

Field	Subfield or refinement	Entry	Explanation and action
XLASYS		AC, AM, CT, DN, FA, FT, OFC, PX	Translation system. Enter the next translation system to use, followed by a space and complete subfield XLANAME (the instance of the translation system).
XLANAME		alphanumeric (1 to 8 characters)	Translation name. Enter the translation name of the table instance within the XLASYS that the call is to be routed to.

Datavfill example

The following example shows sample datavfill for table IOPRTRAN.

MAP display example for table IOPRTRAN

TRANFOR				XLAD
<hr/>				
OPERCLD		UNIV	PX	LCLCXLA
FOREIGN		UNIV	PX	LCLBXL

IPAPPL

Table name

Internet Protocol Application

Functional description

Table IPAPPL defines the IP Application instance that data is transmitted over for a given service. This table is created for the AIN on SCTP/IP project and it can be used by other applications in the future. The table contains the connection information for controlling the communications processes associated with the transport.

Datafill sequence and implications

Tables must be datafilled in the following sequence:

- IPAPPL
- TRIGINFO
- TRIGITM

Triggers which do not require TRIGINFO can directly datafill TRIGITM after IPAPPL datafill in the following sequence:

- IPAPPL
- TRIGITM

Table size

The system allocates table size for Table IPAPPL between 0 and 64 tuples. Memory is automatically allocated for up to 64 intelligent Network SCTP instances.

Datafill

The following table lists datafill for table IPAPPL.

Field descriptions

Field	Subfield	Entry	Explanation and action
INSTKEY		0 to 64 digits	Defines the SCTP instance number.
INSTNAME		8 character vector	Defines the SCTP instance name.
TRANSPRT		SCTP	Defines the transport to be used by the application.
IPDEVICE		EIU/HIOP	Specifies the device that the instance will use.

IPAPPL (continued)**Field descriptions**

Field	Subfield	Entry	Explanation and action
IPADDRS		Vector of up to 4 IPV4 IP addresses	Specifies the remote IP addresses to be used for the instance.
IPPORT		UNSIGNED INT	Specifies the IP port to be used. The IPPORT valid value range is {4900 TO 4982}
OPTLIST		VECTOR of IP_OPTION_LIST	Specifies optional data associated with the instance.
	Application	Service {AIN}	This option is mandatory. This option defines the service that is using the instance.
	{MSGSET}	{R01, R02}	If AIN is the service selected then the valid MSGSET values are {R01, R02}.
	Multihoming		Specifies if the instance supports multihoming. Multihoming is currently NOT supported.
	Mode	CLIENT, SERVER	This subfield specifies whether the core will act like a SERVER or CLIENT for that particular instance. The AIN application will always have the DMS core act like a sever.
	Setprime	1 to 4	This option is mandatory. Setprime specifies which of the IP address in the IPADDRS field is the primary. Default value is 1 whilst Multihoming is not supported.

Datafill example

The following example shows sample MAP display of the table IPAPPL.

IPAPPL (end)

MAP display example for table IPAPPL

0 SS Sctp EIU (IPV4 47 142 160 173) \$ 4977 (APPLICATION AIN R02)
(SETPRIME 1) (MODE SERVER) \$

Supplementary information**SOC optionality****SN07 (DMS)**

A new usage limit SOC INW00003 is created by this activity to control the allocation of IN Sctp links in table IPAPPL. If the limit has not been met then the user will be allowed to add entries to table IPAPPL.

Table history**SN07 (DMS)**

This table first introduced by feature A00004500 (IN TCAP Messaging on IP). This feature is designed to overcome the limitations of TCP as well as supporting the extra requirements of PSTN application signalling over IP networks.

IPCOMID

Table name

Internet protocol communications identifier

Functional description

This table associates a service with an XPM. This table is used by various application level tables to use an XPM and IP service on that XPM.

The following datafill rules are associated with this table:

- A peripheral must be datafilled in table XPMIPMAP before it can be referenced by table IPCOMID.
- A service must be datafilled in table IPSVCS before it can be referenced by table IPCOMID.
- Changes to a COMID are allowed/disallowed according to the particular application using the COMID.

For example, an application using a COMID may not allow the COMID to be changed until all of the resources using the COMID are no longer inservice.

Note, applications in TOPS13 such as XIPVER, TOPS IP MIS over IP, and TOPS OC have their own rules on when changes are allowed to a COMID they are using. Refer to the TOPS IP User's Guide for the specific rules.

- Deletions of a COMID are disallowed if an application level table is referencing the COMID.

For example, if an IP application level table has COMID 3 datafilled. COMID 3 is not allowed to be deleted from the application level table until all references to the COMID no longer exist in the application table.

Note, applications in TOPS13 and future applications may also have this restriction. For TOPS13, refer to XIPVER, TOPS IP MIS over IP, and TOPS OC in the TOPS IP User's Guide for information.

- Once a COMID or SERVICE associated with a COMID is in use by a specific application, no other application is allowed to use that COMID.

For example, once the OPP over IP application has datafilled a particular COMID in table TOPSPOS, no other application is allowed to use that COMID.

Datafill sequence and meaning

Enter datafill into tables XPMIPMAT and IPSVCS before table IPCOMID.

IPCOMID (continued)

Table size

0 to 1024 tuples

Datafill

The table that follows lists datafill for table IPCOMID.

Field descriptions

Field	Subfield	Entry	Explanation and action
COMID		0 to123	Communications identifier. This field is the key to the table.
SERVICE		name from IPSVCS	Service. Enter a service to be associated with the extended peripheral module (XPM). The name must be datafilled in table IPSVCS. This field cannot be changed if the COMID is datafilled against a position in table TOPSPOS unless all positions associated with the COMID are offline.
XPMNAME		see subfields	Name of the extended peripheral module. This field is the key to the table. This field consists of subfields XPMTYPE and XPMNO. This field cannot be changed if the COMID is datafilled against a position in table TOPSPOS unless all positions associated with the COMID are offline.
	XPMTYPE	name from XPMIPMAP	Extended peripheral module type. The name must be datafilled in table XPMIPMAP.
	XPMNO	0 to 255	XPM number. The number must be datafilled in table XPMIPMAP.

Datafill example

The figure that follows shows sample datafill for table IPCOMID.

IPCOMID (end)

MAP display example for table IPCOMID

COMID	SERVICE	XPMNAME
2	QMSMIS	DTC 20
4	QMSMIS2	DTC 21
20	XIPVER	DTC 19
22	XIPVER	DTC 21
23	FREEPOR	DTC 22
24	REMOTE1_IPSVC	DTC 19
25	REMOTE1_IPSVC	DTC 20
26	REMOTE2_IPSVC	DTC 19
27	REMOTE2_IPSVC	DTC 20

Table history**TOPS15**

Restriction for positions added to fields SERVICE and XPMNAME by feature 59006658 in functionality OPP Over IP, OSB00101.

TOPS13

Initial release by feature A59007541 in functionality TOPS IP Evolution, OSB00001.

Additional information

None

IPHOST

Table name

Internet Protocol SuperNode End Hosts Table

Functional description

Table IPHOST assigns the Internet protocol (IP) addresses to SuperNode end hosts. SuperNode end hosts can have one or two addresses. The entry in field NODENAME determines the number of addresses.

Table IPHOST supports application processor (AP) and file processor (FP) datafill for the following:

- the two Support Operating System (SOS) nodes
- SOS SuperNode UNIX (SNIX) nodes that require two IP addresses

For datafill for the Circuit Switched Data (CSD) product for MTX offices, refer to *Circuit Switched Data Deployment Guide*, 411-2131-500 or your next level of support.

Datafill sequence and meaning

Enter data in the following tables before you enter data in table IPHOST:

- the LIUINV or SDMINV, or other equivalent inventory table for IP nodes
- the IPNETWRK
- the SMNINV, if data entry of AP or FP nodes occurs in table IPHOST

To enter data in an application processing unit (APU) in table IPHOST, enter the same APU entry in table LIUINV. The APU must be offline before you enter data in table IPHOST.

Note: In the assignment of IP addresses, the LAN side and the workstation must be on different subnets from the DMS peripheral module.

Table size

0 to 64 tuples

IPHOST (continued)**Datafill**

The datafill for table IPHOST appears in the following table.

Field descriptions

Field	Subfield or refinement	Entry	Explanation and action
INDEX		refer to subfield	<i>Index</i> This field contains subfield NODEIDX.
	NODEIDX	0 to 63	<i>Node index</i> Enter the node index number.
NODENAME		A,P APU, CM, EIU, ELIU, FP, MS	<i>Node name</i> Enter the node name: <ul style="list-style-type: none"> • AP (application processor) • APUX (application processor UNIX) • CM (computing module) • EIU (Ethernet interface unit) • ELIU (Ethernet link interface unit) • FP (file processor) • MS (message switch) <p>Note: You can enter data in AP and FP to support the SuperNode UNIX (SNIX) versions of the nodes. You can enter data in IP addresses for the software operating system and the SNIX sides of the nodes. You must enter the nodes in table SMNINV first. The IP address for an AP or FP can be software operating side only or software operating side and SNIX sides. You can enter one or two IP addresses for an AP or FP node. The application on the node determines the number for addresses to enter. A node AP that runs UNIX requires two IP addresses for the node.</p>
NODE		refer to subfields	<i>Node</i> This field contains subfields for the entries in field NODENAME.

IPHOST (continued)**NODENAME = AP**

If the entry in field NODENAME is AP, enter data in the following refinements:

- SMNINDEX
- SNADDR
- TCPCONN
- FTPCLCON
- FTPSVCON
- UNIXADDR

The datafill appears in the following table.

Field descriptions for conditional datafill

Field	Subfield or refinement	Entry	Explanation and action
	SMNINDEX	0 to 99	<i>File processor index</i> Enter the FP index number.
	SNADDR	table of 4 (0 to 255)	<i>Internet protocol address SuperNode</i> Enter the IP address of the SuperNode side.
	TCPCONN	0 to 20	<i>Transmission control protocol connections</i> Enter the transmission control protocol (TCP) connections number.
	FTPCLCON	0 to 50	<i>File transfer protocol connections</i> Enter the file transfer protocol (FTP) connections number.
	FTPSVCON	0 to 50	<i>File transfer protocol server connections</i> Enter the FTP server number.
	UNIXADDR	table of 4 (0 to 255)	<i>UNIX address</i> Enter the UNIX side IP address of the node.

IPHOST (continued)**NODENAME = APU**

If the entry in field NODENAME is APU, enter data in the following refinements:

- APUINDEX
- SOSADDR
- UNIXADDR
- TCPCONN
- FTRPCLCON
- FTPSVCON

This datafill appears in the following table.

Field descriptions for conditional datafill

Field	Subfield or refinement	Entry	Explanation and action
	APUINDEX	0 to 750	<i>Application processor UNIX index</i> Enter the APU index number.
	SOSADDR	table of 4 (0 to 255)	<i>Support operating switch</i> Enter the support operating switch address.
	UNIXADDR	table of 4 (0 to 255)	<i>Internet protocol host identification for APU</i> Enter the UNIX IP identification for the APU.
	TCPCONN	0 to 1	<i>Transmission control protocol connections</i> Enter the TCP connections number.
	FTRPCLCON	0 to 50	<i>File transfer protocol connections</i> Enter the FTP connections number.
	FTPSVCON	0 to 50	<i>File transfer protocol server connections</i> Enter the FTP server number.

NODENAME = CM

If the entry in field NODENAME is CM, enter data in the following refinements:

- CMINDEX
- TCPCONN

IPHOST (continued)

- FTPCLCON
- FTPSVCON

This datafill appears in the following table.

Field descriptions for conditional datafill (Sheet 1 of 2)

Field	Subfield or refinement	Entry	Explanation and action
	CMINDEX	0 to 1	<p><i>Computing module index</i></p> <p>Enter the CM index number.</p> <p>Enter 0 for the SuperNode Data Manager (SDM) Secure File Transfer (SFT) application.</p>
	TCPCONN	0 to 96	<p><i>Transmission control protocol connections</i></p> <p>Enter the TCP connections number.</p> <p>For the SDM SFT application, TCPCONN must equal or exceed two times the sum of FTPCLCON and FTPSVCON. This condition allows two connections for each session.</p> <p>Note: Increase TCPCONN for other services on the SDM. For example, the Enhanced Terminal Access (ETA) application and telnet. Nortel recommends that the TCPCONN equals or exceeds two times the sum of FTPCLON and FTPSVCON plus an additional 15 or more. The use of other TCP services determines the number of additional values.</p>

IPHOST (continued)**Field descriptions for conditional datafill (Sheet 2 of 2)**

Field	Subfield or refinement	Entry	Explanation and action
	FTPCLCON	0 to 50	<p><i>File transfer protocol connections</i></p> <p>Enter the maximum number of FTP client sessions.</p>
	FTPSVCON	0 to 50	<p><i>File transfer protocol server connections</i></p> <p>Enter the maximum number of FTP server sessions.</p> <p>Note: The system shares FTPSVCON with other CM FTP users. If you enter data in FTPSVCON for the SDM SFT application, make sure that you enter data in this subfield. This data must contain the total number of FTP sessions. For example, you can require 10 SFT sessions and the configuration of the CM FTP server is for two sessions. When this condition occurs, enter 12 for subfield FTPSVCON.</p>

NODENAME = EIU

If the entry in field NODENAME is EIU, enter data in the following refinements:

- EIUINDEX
- SNADDR
- LANADDR
- TCPCONN
- FTRPCLCON
- FTPSVCON

IPHOST (continued)

This datafill appears in the following table.

Field descriptions for conditional datafill

Field	Subfield or refinement	Entry	Explanation and action
	EUIINDEX	0 to 750	<i>Ethernet interface unit index</i> Enter the EIU number.
	SNADDR	table of 4 (0 to 255)	<i>Internet protocol address for node</i> Enter the IP address of the SuperNode side of the node.
	LANADDR	table of 4 (0 to 255)	<i>Second IP address for EIU host</i> Enter the second IP address for the EIU host.
	TCPCONN	0 to 32	<i>Transmission control protocol connections</i> Enter the TCP connections number.
	FTPCLCON	0 to 50	<i>File transfer protocol connections</i> Enter the file transfer protocol connections number.
	FTPSVCON	0 to 50	<i>File transfer protocol server connections</i> Enter the file transfer protocol server number.

NODENAME = ELIU

If the entry in field NODENAME is ELIU, enter data in the following refinements:

- ELIUINDEX
- SNADDR
- LANADDR
- TCPCONN

IPHOST (continued)

This datafill appears in the following table.

Field descriptions for conditional datafill

Field	Subfield or refinement	Entry	Explanation and action
	ELIUINDEX	0 to 750	<i>Ethernet interface unit index</i> Enter the ELIU number.
	SNADDR	table of 4 (0 to 255)	<i>Internet protocol address for node</i> Enter the IP address of the SuperNode side of the node.
	LANADDR	table of 4 (0 to 255)	<i>Second IP address for ELIU host</i> Enter the second IP address for the ELIU host.
	TCPCONN	2	<i>Transmission control protocol connections</i> The only correct entry is 2.

NODENAME = FP

If the entry in field NODENAME is FP, enter data in the following refinements:

- SMNINDEX
- SNADDR
- TCPCONN
- FTPCLCON
- FTPSVCON
- UNIXADDR

IPHOST (continued)

This datafill appears in the following table.

Field descriptions for conditional datafill

Field	Subfield or refinement	Entry	Explanation and action
	SMNINDEX	0 to 99	<i>File processor index</i> Enter the file processor index number.
	SNADDR	table of 4 (0 to 255)	<i>Internet protocol address for node</i> Enter the IP address of the SuperNode side of the node.
	TCPCONN	0 to 32	<i>Transmission control protocol connections</i> Enter the transmission control protocol connections number.
	FTPCLCON	0 to 50	<i>File transfer protocol connections</i> Enter the file transfer protocol connections number.
	FTPSVCON	0 to 50	<i>File transfer protocol server connections</i> Enter the FTP server number.
	UNIXADDR	table of 4 (0 to 255)	<i>Internet protocol host identification for APUX</i> Enter the UNIX IP identification for the APUX.

NODENAME = MS

If the entry in field NODENAME is MS, enter data in the following refinements:

- MSINDEX
- SNADDR
- TCPCONN
- FTPCLCON
- FTPSVCON

IPHOST (continued)

This datafill appears in the following table.

Field descriptions for conditional datafill

Field	Subfield or refinement	Entry	Explanation and action
	MSINDEX	0 to 1	<i>Message switch index</i> Enter the MS index.
	SNADDR	table of 4 (0 to 255)	<i>Internet protocol address for node</i> Enter the IP address of the SuperNode side of the node.
	TCPCONN	0	<i>Transmission control protocol connections</i> Enter the TCP connections number.
	FTPCLCON	0 to 50	<i>File transfer protocol connections</i> Enter the FTP connections number.
	FTPSVCON	0 to 50	<i>File transfer protocol server connections</i> Enter the FTP server number.

Datafill example

Sample datafill for table IPHOST appears in the following example.

MAP example for table IPHOST

INDEX	NODENAME	NODEINFO												
0	AP	3	12	23	6	5	9	9	9	(17	34	67	5)	\$
2	ELIU	12	141	226	9	121	53	174	345	1	2			

IPHOST (end)

Table history

Telecom 09

The following changes occurred for the SDM SFT application in Telecom 09:

- Subfield CMINDEX equals 0.
- Subfield TCPCONN value must equal or exceed two times the sum of FTPCLCON and FTPSVCON. This condition allowed two connections for each session.
- Entered data in subfield FTPSVCON with the total number of allowed FTP sessions.

Telecom 07

The following changes occurred in Telecom 07:

- The ELIU was added as a correct entry in field NODENAME.
- Refinements ELIUINDEX, SNADDR, LANADDR, and TCPCONN were added for ELIU.

BCS36

The following changes occurred in BCS36:

- Introduction was added for AP and FP datafill.
- Table SMNINV was added to datafill sequence.
- Maximum table size was corrected.
- The NODENAME entries AP and FP were added to this field.
- Note on datafill for SOS and SNIX was added to explanation of field NODENAME.
- Datafill for address fields SNADDR, SOSADDR, and UNIXADDR was corrected.

IPINV**Table name**

Internet Protocol Inventory

Functional description

Use table IPINV to provision an NT7X07 Internet Protocol (IP) Gateway (IPGW) card.

Datafill sequence and meaning

Enter datafill into table SITE (Site) and table LTCPSINV (Line Trunk Controller P-Side Link Inventory) before table IPINV.

Table size

0 to 1024 tuples

Datafill

The table that follows lists datafill for table IPINV.

Field descriptions (Sheet 1 of 3)

Field	Subfield	Entry	Explanation and action
IPNO		alphanumeric	<p>IP number. The field consists of the site identifier, frame, and unit of the IPGW card. The site consists of the 4-character name that was datafilled in table SITE. The frame consists of a number from 0 to 255. The unit consists of a number from 0 to 9.</p> <p>Note: The recommended provisioning scheme is for the frame to represent the LTC number and for the unit to represent the port number (as datafilled in the PORT field) divided by 2.</p>
PMTYPE		DTC, DTCL, or LTC	Peripheral module type. This field specifies the peripheral module (PM) type that indicates the location of the IPGW card. Enter DTC for digital trunk controller, DTCL for ISDN digital trunk controller, or LTC for line trunk controller.
PMNO		0–255	Peripheral module number. Enter the PM number from 0 to 255 to indicate the location of the IPGW card.
IPPEC		7X07AA	IP product engineering code. Enter 7X07AA as the product engineering code for the IPGW card.

IPINV (continued)

Field descriptions (Sheet 2 of 3)

Field	Subfield	Entry	Explanation and action
LOAD		alphanumeric (up to 19 characters)	Load file name. Enter the load file name of the IPGW card. (The default value is NILLOAD.)
PORT		0–18	Port number. Enter an even number from 0 to 18 that corresponds to the host XPM P-side port.
IPZONE		numeric	<p>IP zone. Enter the primary and secondary IP address for the IPGW card. (The default value is 0 0 0 0 0 0 0.)</p> <p>For a primary IPGW card: Enter the logical IP address in the first four fields of IPZONE. Enter the Gatekeeper IP address in the last four fields of IPZONE.</p> <p>For a spare IPGW card: Enter only the Gatekeeper IP address in IPZONE. The logical IP address must be set to 0s.</p> <p>Note: For a spare IPGW card to takeover for a primary IPGW card, they must reside in the same Gatekeeper zone.</p>
GWTYPE		L, TB, PRIGW, or TOPS	<p>GW type. Enter L to indicate a local loop function. Enter datafill in subfields INTRASW and SPARE.</p> <p>Enter TB to indicate a toll bypass function. There are two subfields for the TB selector, TRKCLLI and TRKSGRP. (This selector is reserved for future use.)</p> <p>Enter PRIGW to indicate a primary rate interface (PRI) Gateway. Enter datafill in subfields TRKCLLI and TRKSGRP.</p> <p>Enter TOPS for the TOPS application. Enter datafill in subfields TRKCLLI and MEMSTART. Notes are as follows:</p> <ul style="list-style-type: none"> • The GWIP must be entered in table IPINV before table OCIPVL, field VLXPM. • The specific TOPS application is given in table TRKOPTS, subfield OPTION = DYNAMIC, subfield APPLICATION.

IPINV (continued)**Field descriptions (Sheet 3 of 3)**

Field	Subfield	Entry	Explanation and action
	INTRASW	N or Y	Intraswitching. This subfield appears if GWTYPE = L. Indicate if the Gateway card is capable of intraswitching. The default value is N.
	SPARE	Y or N	Spare. This subfield appears if GWTYPE = L. This subfield indicates if the Gateway card is a spare. The default value is N.
	TRKCLLI	CLLI name	<p>Common language location identifier. This subfield appears if GWTYPE = TB, TOPS, or PRIGW. Enter a trunk CLLI name defined in table TRKGRP.</p> <p>For GWTYPE = PRIGW, enter the name of the trunk group in table CLLI that has the IP option.</p> <p>For GWTYPE = TOPS, notes are as follows:</p> <ul style="list-style-type: none"> • The CLLI must not currently be datafilled in table TRKMEM. The CLLI must be entered in IPINV before TRKMEM. • The CLLI must be assigned the DYNAMIC OC option in table TRKOPTS. • When a gateway card is datafilled, 48 trunk members are automatically datafilled in table TRKMEM.
	TRKSGRP	0 or 1	Trunk subgroup. This subfield appears if GWTYPE = TB or PRIGW. Enter the trunk subgroup number for the trunk in subfield TRKCLLI. For GWTYPE = PRIGW, enter 0.
	MEMSTART	0 or a multiple of 48 that is less than 2016 (so 1968 is the maximum)	<p>Trunk member start. This subfield appears if GWTYPE = TOPS. This field indicates the starting trunk member number for the allocation of the block of 48 members. Since up to 2016 OC voice link trunks are allowed, 0 can be entered or a multiple of 48 up to 1968. The trunk members are allocated sequentially starting with the entered value. So an entry of 96 would cause automatic datafill of trunk members 96 through 143 in table TRKMEM. The CLLI name used is in the TRKCLLI subfield above.</p> <p>The MAP display shows the range is 0 to 9999, but only the indicated range is valid.</p>

IPINV (continued)

Datafill example

The figures that follow show sample datafill for table IPINV.

MAP display example for table IPINV for TOPS

IPNO	PORT	PMTYPE	PMNO	IPPEC	IPZONE	LOAD	GWTYPE
OCGW	10 0						
	12	DTC	1	7X07AA		NILLOAD	
		47	192 3	114 0 0 0		TOPS	OFC1VL 48

MAP display example for table IPINV for Centrex IP

IPNO	PORT	PMTYPE	PMNO	IPPEC	IPZONE	LOAD	GWTYPE
GWIP	10 0						
	10	LTC	10	7X07AA		NILLOAD	
		47	174 68	31	47 174 68 130		L N N

Table history

TOPS15

Error messages were added for TOPS IP by feature 59022293.

IPINV (continued)

NA013

The changes are as follows:

- Field GWTYPE new value TOPS is added by feature A59007550 in functionality TOPS IP Evolution, OSB00001.
- Changed the rules for existing field IPZONE for primary and spare IPGW cards for feature A59007761, “Gateway Survivability Phase 1”.

NA012

The following changes were made to table IPINV for NA012:

- Added the subfields INTRASW and SPARE under selector L in field GWTYPE for Release 2 of Centrex IP.
- Changed the range of the unit number in field IPNO. Added an explanation of the provisioning scheme for field IPNO.
- Added the selector PRIGW to table IPINV in field GWTYPE.
- Added information about the IP option for IBNT2 type trunks.

NA011

Feature AF7808 introduced table IPINV for the NA011 release.

Additional information

Table IPINV does not require reformatting for a dump and restore for the NA013 load.

Table IPINV requires a reformat before the dump and restore for the NA012 load. This allows the additional subfields in field GWTYPE to appear.

Table IPINV does not require reformatting for a dump and restore for the NA011 load. Table IPINV is always active. To protect store, this table can require a patch before operating company personnel resave datafill entries.

IPINV (continued)**Error and warning messages**

Error and warning messages are as follows.

Notification, warning, and error messages for table IPINV

Message	Description
ERROR:ONLY IBNT2 with ISDN SGRPVAR supported.	While the IP option can be assigned to all IBNT2 type trunks, only those IBNT2 trunks datafilled in table TRKSGRP SGRPVAR as ISDN can be entered in table IPINV. The DMS-100 switch displays this error message for all other entries in field SGRPVAR
INFO: Datafilling Table TRKMEM.	The 48 trunk members in TRKMEM are being automatically datafilled by the addition of an IPINV tuple This message is for information only.
INFO: Trunks added to Table TRKMEM.	The 48 trunk members in TRKMEM have been automatically datafilled by the addition of an IPINV tuple. This message is for information only.
ERROR: Trunks not added to Table TRKMEM.	The 48 trunk members in TRKMEM have NOT been automatically datafilled by the addition of an IPINV tuple. Correct whatever condition caused the automatic addition of the tuples to fail (such as previously existing members in TRKMEM for this TRKGRP).Re-attempt the definition of the IPINV tuple.
INFO: Trunks deleted from Table TRKMEM.	The 48 trunk members in TRKMEM have automatically been removed by the deletion of an IPINV tuple. This message is for information only.

IPINV (continued)**Notification, warning, and error messages for table IPINV**

Message	Description
WARNING: Tuple <CLLI member No> was not deleted from table TRKMEM.	<p>When trying to delete a tuple from table IPINV, tuples were not able to be deleted from TRKMEM; therefore the deletion of the IPINV tuple was aborted.</p> <p>Determine why tuples from TRKMEM associated with the IPINV tuple could not be removed. Correct the condition preventing the automatic deletion of tuples from TRKMEM. Re-attempt the removal of the IPINV tuple.</p>
ERROR: IPGW must be offl to delete tuple.	<p>The state of the IPGW gateway node was not OFFL (offline) when tuple deletion was attempted.</p> <p>Ensure the gateway is in the offline state and re-attempt to delete the IPINV tuple.</p>
ERROR: CLLI not datafilled in Table TRKGRP	<p>The trunk group information for the CLLI does not exist.</p> <p>Assign and datafill the TRKGRP, TRKSGRP, and TRKOPTS tuples, then re-attempt the addition of the IPINV tuple.</p>
ERROR: Table TRKSGRP not datafilled for this CLLI.	<p>The trunk subgroup information for the CLLI does not exist.</p> <p>Assign and datafill the TRKGRP, TRKSGRP, and TRKOPTS tuples, then re-attempt the addition of the IPINV tuple.</p>
ERROR: CLLI not assigned DYNAMIC option in Table TRKOPTS.	<p>The trunk group's CLLI is not assigned the DYNAMIC option in Table TRKOPTS.</p> <p>Assign and datafill the TRKGRP, TRKSGRP, and TRKOPTS tuples, then re-attempt the addition of the IPINV tuple.</p>

IPINV (continued)**Notification, warning, and error messages for table IPINV**

Message	Description
ERROR: Trunk group size too small in table CLLI.	In Table CLLI the tuple's trunk group size is smaller than the minimum of 48 members required. Change the trunk group size in CLLI to be greater than 48.
ERROR: TRKCLLI does not use OC application in Table TRKOPTS.	The craftsperson has datafilled a gateway type selection of TOPS in the tuple, but the CLLI name in the tuple is not assigned the DYNAMIC OC application in Table TRKOPTS. Use a CLLI name assigned to the OC application in Table TRKOPTS.
ERROR: MEMSTART not 0 or a multiple of 48.	The craftsperson has datafilled a starting trunk member number which is not 0 or a multiple of 48. Use a MEMSTART which is 0 or a multiple of 48.
ERROR: MEMSTART must not be greater than 1968.	The craftsperson has datafilled a starting trunk member number which is above the limit of 1968. Use a MEMSTART which is 0 or a multiple of 48, up to 1968.
ERROR:TRKCLLI and MEMSTART combination already datafilled INFO: The next lower available MEMSTART for this TRKCLLI is <nn>. INFO: No lower MEMSTART is available for this TRKCLLI. INFO: The next higher available MEMSTART for this TRKCLLI is <nn>. INFO: No higher MEMSTART is available for this TRKCLLI.	A CLLI name and starting trunk member number combination has been datafilled that is already datafilled in Table IPINV. Use a different CLLI name and MEMSTART combination. The applicable INFO messages are given.

IPINV (continued)**Notification, warning, and error messages for table IPINV**

Message	Description
ERROR: For TOPS gateway type, only fields LOAD and IPZONE may be changed.	For TOPS, only the LOAD and IPZONE fields may be changed with deleting and re-adding tuples in table IPINV. To change other fields, the craftsperson must delete and re-add.
For OC-IP call processing, field IPZONE: PRIMARY must be datafilled.	This warning exists to prevent an inadvertent entry of the gateway card's IP address in the SECONDARY portion of the IPZONE field. Table control does not validate IP addresses, but if the PRIMARY field is set to "0 0 0 0", this warning appears. Datafill the card's IP address in the PRIMARY field.
ERROR: Host PM must be a DTC for the TOPS variant.	For TOPS, the XPM must be a digital trunk controller (DTC). Use the appropriate XPM.
ERROR: Host PM must be a LTC or a DTC or a DTCL.	For non-TOPS, the XPM must be a DTC, LTC or DTCL. Use the appropriate XPM.
INFO: This IPGW will be used for TOPS OC-IP remote processing. INFO: Its trunk members cannot be datafilled in Table OCIPVL.	These information messages are given when adding a tuple for an IPGW card in the remote.
INFO: This IPGW will be used for TOPS OC-IP host processing. INFO: Its trunk members cannot be datafilled in Table OCIPVL.	These information messages are given when adding a tuple for an IPGW card in the host.
WARNING: In an OC host, field IPZONE: PRIMARY must contain a valid IP address.	This warning is given when adding a tuple for an IPGW card in the host with a field IPZONE of 0 0 0 0 0 0 0.

IPINV (continued)**Notification, warning, and error messages for table IPINV**

Message	Description
<p>ERROR: Table OCIPVL tuples associated with this IPGW must be deleted before this IPGW can be deleted.</p> <p>Delete member (CLLI)<nn>.</p> <p>Delete members in range <nn> to <nn>.</p> <p>ERROR: Operation disallowed by TOPS checks.</p>	<p>An attempt was made to delete a tuple from table IPINV with an associated tuple in table OCIPVL.</p>
<p>ERROR: PORT must be in range 0 to 18.</p>	<p>An attempt was made to enter a value outside the range for field PORT.</p>
<p>ERROR: PMTYPE, PMNO, and PORT combination already datafilled.</p>	<p>The PMTYPE, PMNO, and PORT entry combination must be unique.</p>
<p>ERROR: CLLI assigned DYNAMIC option in Table TRKOPTS.</p>	<p>An attempt was made to enter a tuple with field GWTYPE = TB and the associated tuple in table TRKOPTS has the DYNAMIC option.</p>
<p>ERROR: For TOPS gateway type, only fields LOAD and IPZONE may be changed.</p>	<p>An attempt was made for a tuple with field GWTYPE = TOPS to change fields other than LOAD and IPZONE. In order to changes these other fields, the tuple must be deleted and re-added.</p>

IPINV (end)**Notification, warning, and error messages for table IPINV**

Message	Description
ERROR: Associated trunk members not INB.	<p>When a TOPS IPGW is off-lined, the DMS automatically updates the IPGW's 48 trunk members to be installation busy (INB). This takes a short period of time, during which the deletion of the IPGW is not allowed.</p> <p>Wait a moment and then retry the delete command.</p>
ERROR: Cside links must be MBsy to delete tuple.	<p>This error message appears when trying to delete the IPGW while its C-side links are still in service. This can lead to problems later when trying to re-add the IPGW. The tuple delete is not allowed. So, manually busy the two C-side links to the IPGW card to allow the deletion.</p> <p>The C-side links in question can be determined by examining the PORT field. If the PORT is n, then the two C-side links are n and n+1. These links can be set to MBsy by posting the IPGW's parent XPM at the MAPCI;MTC;PM level, and then using the commands BSY LINK n and BSY LINK n+1.</p> <p>As an example, if the PORT field is 2, then the two commands are BSY LINK 2 and BSY LINK 3.</p>

IPMLINV

Table name

Interperipheral Message Link Inventory Table

Functional description

The system uses interperipheral message links (IPML) to message between two peripheral modules (PM). Examples of PMs are a message switch buffer (MSB) and digital trunk controller (DTC). The IPMLs use standard speech-type connections through the network.

One of the applications is for MSB to DTC and MSB to PCM30 DTC (PDTC) connections for common channel signaling (CCS). These types of common channel signaling, CCS6 and CCS7, use the IPMLs.

Each IPML contains a pair of network connections between the two specified PMs, interperipheral connections (IPC). One IPC is active and the other is not active. Messages transmit on the active IPC. Message scanning occurs on both IPCs.

The IPMLs use the network nailed-up connection feature. The system maintains the IPMLs during cold restarts, with the paths through the network preserved over the restart. The system establishes the IPMLs again during reload restart initialization, with new network paths selected. The system retains IPMLs over batch change supplement (BCS) applications. The physical connection through the network does not change.

The hardware assignment data that relates to the connection of MSBs with DTCs or PDTCs appears in table IPMLINV. This data includes the following:

- identification of the from-end side, the MSB
- identification of the to-end side, the DTC, PDTC or integrated services digital network (ISDN) line trunk controller (LTCI)
- the IPC port and channel assignment
- the IPML application

IPMLINV (continued)

Rules in provisioning

The following are the provisioning rules for an IPML:

- The two IPCs that form an IPML must be on different network modules for reliability.
- The allocation of channels for CCS is as follows:
 - MSB - The IPCs must distribute evenly across the available links. The IPCs must use a channel that is not 0.
 - DTC - Select the IPC channels according to the following priorities:
 - channel 16 on port 0
 - channel 16 on port 2
 - other available channel 16s
 - other available channels

Note: The channel 16 allocations for IPCs conflict with the channel 16 looparound test on non-message links.

- The IPMLs to the PDTC cannot use network ports/channels 1/16 and 3/16. Channel 16 on all ports is for frame alignment and maintenance. Channel 0 is for other purposes. You cannot use channel 0 to assign IPMLs. Use ports/channels 1/1 and 3/1. You cannot use trunks on PCM30 links/channels 0/30 and 2/30 for traffic. The C-side to P-side mapping maps C-side port/channel 3/1 to P-side port/channel on the PCM30 trunks, as 0/30. The C-side to P-side mapping maps C-side port/channel 1/1 maps to P-side port/channel 2/30.

Restrictions

The following restrictions apply to an IPML:

- Enter the PMs that connect with the use of an IPML, in the inventory tables of the PMs. This action must occur before the system accepts the entry in table IPMLINV. You cannot remove a PM from the inventory table when entries are in the table IPMLINV for that PM.
- For CCS7, if an IPML is in use and assigned to a DTC, the DTC must appear in table LTCINV. The entry in field OPTATTR must equal CCS7, to the IPML to the DTC.
- For CCS7, you cannot delete the entry in table IMPLINV if ISDN user part (ISUP) trunks are for the DTC. This restriction applies when connection of the IPML occurs. Delete all ISUP trunks on the DTC before you delete the IPML assigned to the DTC.

IPMLINV (continued)

- The ports assigned to the IPCs must be in the PM inventory table. You cannot remove the ports from the PM inventory table until you remove the ports from the IPMLINV table. If the channels for the IPCs are for other use, like a trunk, the system rejects the table entry.
- Channel 0, ports 0 and 2 on the MSB and DTC are for messaging. You cannot use this channel and ports to assign IPMLs.
- The PDTCs cannot have IPMLs on channel 16.

The verify procedure for table IPMLINV changes. The procedure changes to allow the entry of IPMLs on time slot 16 for specified groups of carriers and signaling types.

Time slot 16 supports the IPMLs for all groups marked with a Y (yes) in table Table , "IPMLs on time slot 16" on page -38.

IPMLs on time slot 16

Carrier type	Signaling type	Time slot 16 supported
D30	Channel-associated signaling (CAS)	-
D30	CCS	-
D30	Common channel signaling inter-peripheral message link (CCSIPML)	Y
M20	Does not apply	-
TTC	Does not apply	-
DS-0	Does not apply	Y
NDS0	Does not apply	Y

Datafill sequence and meaning

Enter the following tables before you enter table IPMLINV.

- LTCINV
- MSBINV

Table size

For junctored network (JNET) offices, parameter MAXNUCS in table OFCENG controls the maximum number of tuples in table IPMLINV. For enhanced network (ENET) offices, parameter MAXNUCS in table OFCENG

IPMLINV (continued)

does not control the maximum number of tuples in table IPMLINV. Set this parameter to 0.

Datafill

Datafill for table IPMLINV appears in the following table.

Field descriptions (Sheet 1 of 3)

Field	Subfield or refinement	Entry	Explanation and action
IPMLNO		0 to 239	<i>Interperipheral message link number.</i> Enter an index number assigned to an IPML. This field is the key to the table.
FROMPM		refer to subfields	<i>From peripheral module.</i> This field contains subfields XPMTYPE and XPMNO.
	XPMTYPE	MSB6 or MSB7	<i>Peripheral module type.</i> Enter the PM type as follows: <ul style="list-style-type: none"> • Enter MSB6 for CCS6 switching units. • Enter MSB7 for CCS7 switching units.
	XPMNO	0 to 4	<i>Peripheral module number.</i> Enter the PM number of the MSB6 or MSB7. Entries out of the range indicated for this field are not correct.
TOPM		Refer to subfields	<i>To peripheral module.</i> This field contains subfields XPMTYPE and XPMNO.
	XPMTYPE	DTC, DTCI, LTCI, or PDC	<i>Peripheral module type.</i> Enter the PM type as follows: <ul style="list-style-type: none"> • DTC • DTCI (ISDN DTC) • LTCI • PDC (PCM30 DTC)
	XPMNO	0 to 63	<i>Peripheral module number.</i> Enter the PM number. Entries out of the range indicated for this field are not correct.

IPMLINV (continued)**Field descriptions (Sheet 2 of 3)**

Field	Subfield or refinement	Entry	Explanation and action
IPC0FEND		refer to subfields	<i>Interperipheral connection zero from-end.</i> This field contains subfields IPCPORT and IPCCHANNEL.
	IPCPORT	0 to 15	<i>Interperipheral connection zero from-end port.</i> Enter the port number where the interperipheral connection (IPC) 0 from-end connects.
	IPCCHANNEL	0 to 31	<i>Interperipheral connection zero from-end channel.</i> Enter the channel number where the IPC 0 from-end connects.
IPC0TEND		Refer to subfields	<i>Interperipheral connection zero to-end.</i> This field contains subfields IPCPORT and IPCCHANNEL.
	IPCPORT	0 to 15	<i>Interperipheral connection zero to-end port.</i> Enter the port number where the IPC 0 To End connects.
	IPCCHANNEL	0 to 31	<i>Interperipheral connection zero to-end channel.</i> Enter the channel number where the IPC 0 To End connects.
IPC1FEND		refer to subfields	<i>Interperipheral connection one from-end.</i> This field contains subfields IPCPORT and IPCCHANNEL.
	IPCPORT	0 to 15	<i>Interperipheral connection one from-end port.</i> Enter the port number where the IPC 1 From End connects.
	IPCCHANNEL	0 to 31	<i>Interperipheral connection one from-end channel.</i> Enter the channel number where the IPC 1 From End connects.
IPC1TEND		refer to subfields	<i>Interperipheral connection one to-end.</i> This field contains subfields IPCPORT and IPCCHANNEL.
	IPCPORT	0 to 15	<i>Interperipheral connection one to-end port.</i> Enter the port number where the IPC 1 To End connects.

IPMLINV (continued)**Field descriptions (Sheet 3 of 3)**

Field	Subfield or refinement	Entry	Explanation and action
IPMLDATA	IPCCHANNEL	0 to 31	<i>Interperipheral connection one to-end channel.</i> Enter the channel number where the IPC 1 to-end connects.
		refer to subfield	<i>Interperipheral message link data.</i> This field contains subfield IPMLTYPE.
	IPMLTYPE	CCS	<i>Interperipheral message link type.</i> Enter the IPML application, CCS.

Datafill example

The connection of MSB0 to DTC0 appears in the following example. In the example the connection occurs from IPC0 channels 1 to 16 and IPC1 channels 1 to 16.

MAP example for table IPMLINV

IPMLNO	FROMPM	TOPM	IPC0FEND	IPC0TEN
	IPC1FEND	IPC1TEND	IPMLDATA	
0	MSB6 0 1 1	DTC 0 1 16	0 1 CCS	0 16

Additional information

Information on error messages that can appear when you enter data in table IPMLINV appears in the following section.

Error messages

Operating company personnel cannot enter an IPML link on time slot 16 of a D30 trunk with CAS or CCS signaling type. If personnel attempt this entry, the following error message appears on the MAP terminal:

Channel 16 is allowed only for D30 trunks with CCSIPML

IPMLINV (end)

Operating company personnel can attempt to enter an IPML link on time slot 16 of a M20 or TTC trunk. When this condition occurs, the following error message appears on the MAP terminal:

Channel 16 is not allowed for M30 or TTC trunks

IPNETWRK

Table name

Internet Protocol Network Table

Functional description

To define network interfaces, table IPNETWRK stores information for the Internet. The information for the Internet is for the Internet network and the associated SuperNode subnetwork.

Table IPNETWRK is part of the installation of transmission control protocols/Internet protocol (TCP/IP protocols) on the DMS SuperNode. This feature provides the following functionality:

- Adds third-party compatibility with host machines for connection setup and data exchange.
- Adds routing tables and algorithms to the IP as part of the addressing function.
- Provides the ability to enter and distribute information that you can configure that associates with the TCP/IP protocols through table control. Adds the distributed data manager.

For datafill for the Circuit Switched Data (CSD) product for MTX offices, refer to *Circuit Switched Data Deployment Guide*, 411-2131-500 or your next level of support.

Datafill sequence and meaning

If you want to enter an Ethernet interface unit (EIU) in table IPNETWRK as a default-routing EIU, the following conditions must occur:

- The EIU must be in table LIUINV.
- The EIU must be in the offline state.
- Table IPROUTER must be empty.

If these conditions do not occur, the system generates an error message to indicate the incorrect condition.

Table size

The following features control the maximum size of the table:

- Tuple IPNETWRK_SYSDATA in table SYSDATA specifies the table size.
- Tuple IPNETWRK_KEYITEM in table KEY_ITEM specifies the maximum number of keys.

IPNETWRK (continued)**Datafill**

Datafill for table IPNETWRK appears in the following table

Field descriptions (Sheet 1 of 2)

Field	Subfield or refinement	Entry	Explanation and action
KEYREF		refer to subfield	<i>Key reference.</i> This field contains subfield TAB_KEY.
	TAB_KEY	0 to 15	<i>Table key.</i> Enter data in the network interfaces. You can enter a maximum of 16 entries.
CMIPADDR		IP address with four numbers from 0 to 255	<i>Computing module internet protocol address.</i> Enter the IP address of the computing module (CM). Separate each number in the address with a single space. For example 47 2 86 122 equals an IP address of 47.2.86.122.
SUBNET		1 to 22	<i>Internet protocol network subnet range.</i> Enter the range of the IP network subnet mask bit width. Entries out of the range for this field are not correct.
OPTION		refer to subfields	<i>Option.</i> This field contains subfields WORD_EIU and EIU_RNG. You can enter a maximum of two options. If you enter less than two options, end the entry with a \$.
	WORD_EIU	EIU or EXTERNAL_ROUTER	<i>Ethernet interface unit.</i> Enter EIU or EXTERNAL_ROUTER.
	EIU_RNG	0 to 750	<i>Ethernet interface unit range.</i> Enter the number assigned to the EIU.
PARMAREA		refer to subfields	<i>Parameter area.</i> This optional field contains subfield PARM. You can enter a maximum of 12 multiples of this field. If you enter less than 12 multiples, end the list of entries with a \$.
	PARM	SCRNFLAG	<i>Parameter.</i> If a screening flag is a requirement, enter SCRNFLAG. Enter refinement SCRNFLAG.

IPNETWRK (continued)

Field descriptions (Sheet 2 of 2)

Field	Subfield or refinement	Entry	Explanation and action
		EIU_INTERFACE	To specify an EIU interface as the LAN interface for the CM, enter refinements for WORD_EIU and EIU_RNG.
		DFLT_GTWY_IPADDR	If a default gateway IP address for the network is a requirement, enter refinement GTWY_IPADDR.
		IOM_INTERFACE	To specify an IOM interface as the LAN interface for the network, enter refinements IOMNUM and PORT.
		IOP_INTERFACE	To specify an XA-Core IOP interface as the LAN interface for the network, enter refinements IOMNUM, PACKLET and PORT.
		IRM_INTERFACE	To specify the CM IP address by which the Core Billing Manager (CBM) communicates with the XA-Core, specify that address in a non-zero tuple in table IPNETWRK, and specify the IRM_INTERFACE parameter in that tuple. The address must be one of the CM IP addresses datafilled in table CMIPADDR.
	DFLT_INTERFACE	Y or N	To specify the default interface for the CM, enter Y. To not specify the default interface for the CM, enter N.
		NULLPARM	Enter NULLPARM for a null parameter.
	SCRNFLAG	Y or N	<i>Screen flag.</i> If the entry in subfield PARM is SCRFLAG, enter this refinement. Enter Y if the status of the SCRFLAG is active. If the status is not active, enter N.
	GTWY_IPADDR	IP address with four numbers from 0 to 255	If the entry in subfield PARM is DFLT_GTWY_IPADDR, enter the default gateway IP address. Separate each number in the address with a single space. For example, 47 2 11 109 is equivalent to an IP address of 47.2.11.109.
	IOM_NUM	0 to 255	Enter the IOM number.
	PORT	0 to 255	Enter the associated IOM port number.
	PACKLET	0 to 255	Enter the associated packet number.

IPNETWRK (end)**Datafill example**

Sample datafill for table IPNETWRK appears in the following examples.

MAP display examples for table IPNETWRK

KEYREF	CMIPADDR	SUBNET	OPTION	PARMAREA
0	47 48 32 11	12	(EIU 130) \$	(SCRNFLAG N) \$

KEYREF	CMIPADDR	SUBNET	OPTION	PARMAREA
1	47 59 128 3	12	(EIU_INTERFACE EIU 1) (DFLT_INTERFACE Y) \$	\$
2	47 59 128 4	12	(EIU_INTERFACE EIU 2) (DFLT_GTWY_IPADDR 47 59 128 1) \$	\$

KEYREF	CMIPADDR	SUBNET	OPTION	PARMAREA
5	172 20 10 8	12	(IRM_INTERFACE) \$	\$

Table history**(I)SN09**

Added information about the IRM_INTERFACE value in the PARM field, in response to CRs Q01212905 and Q01227402.

TL09

Refinements EIU_INTERFACE and DFLT_INTERFACE under field PARMAREA were added in TL09. Added an additional datafill example to reflect the new fields.

TL06

The range of values for field KEYREF changed to 0 to 15. Before, only 0 was allowed. Refinements DFLT_GTWY_IPADDR, IOM_INTERFACE and IOP_INTERFACE were added to TL06.

The table was restructured. Now, you can enter the multiple network interfaces, IP addresses, associated with XA-Core input/output processors (IOP). You can enter the network interfaces that associate with input/output modules (IOM).

BCS36

Table IPNETWRK was restructured in BCS36.

IPROUTER

Table name

Internet Protocol Subnet Router Table

Functional description

Table IPROUTER is part of TCP/IP Protocols (transmission control protocols/internet protocol) on the DMS SuperNode. This feature provides the following functionality: The functionality of this feature provides the following:

- compatibility with third party host machines for connection setup and data exchange
- ability to route tables and algorithms to the IP as part of the address function
- ability to enter information and distribute setup information. The system associates this information with the TCP/IP through the use of table control and the distributed data manager.

Table IPROUTER stores Internet related information from each of the Ethernet interface units (EIU) or routers, in the SuperNode.

For datafill for the Circuit Switched Data (CSD) product for MTX offices, refer to *Circuit Switched Data Deployment Guide*, 411-2131-500 or your next level of support.

Datafill sequence and meaning

Enter the following tables before you enter table IPROUTER:

- LIUINV
- IPNETWRK

Note: Offline the EIUs to which the datafill refers before you enter table IPROUTER.

Table size

0 to 64 tuples

IPROUTER (continued)**Datafill**

Datafill for table IPROUTER appears in the following table.

Field descriptions (Sheet 1 of 2)

Field	Subfield or refinement	Entry	Description and action
RKEY		0 to 63	<i>Router key</i> Enter the identification number of the Internet protocol router. This entry is the key to the table.
ROUTER		see subfields	<i>Router</i> This field contains subfields WORD_EIU and EIU_RNG.
	WORD_EIU	EIU	<i>Ethernet interface unit</i> Enter EIU (Ethernet interface unit). Entries outside of this range are not correct.
	EIU_RNG	0 to 750	<i>Ethernet interface unit range</i> Enter the specified EIU that the system can access for the router index.
SNIPADR		table of four digits (0 to 255)	<i>Supernode side internet protocol address</i> Enter the SuperNode side Internet protocol (IP) address.
ETHIPADR		table of four digits (0 to 255)	<i>Ethernet side internet protocol address</i> Enter the Ethernet side IP address.

IPROUTER (end)

Field descriptions (Sheet 2 of 2)

Field	Subfield or refinement	Entry	Description and action
ETHARP		YES or NO	<p><i>Ethernet address resolution protocol</i></p> <p>Enter YES to activate EIU in address resolution protocol (ARP) activity within the Ethernet subnet. To deactivate ARP activity, enter NO.</p> <p>The default value for this field is YES.</p>
ETHPARP		YES or NO	<p><i>Ethernet proxy address resolution protocol</i></p> <p>Enter YES to activate EIU in address resolution protocol (ARP) activity within the Ethernet subnet. To deactivate ARP activity, enter NO.</p> <p>The default value for this field is YES.</p>

Datafill example

Sample datafill for table IPROUTER appears in the following example.

MAP example for table IPROUTER

RKEY	ROUTER	SNIPADR	ETHIPADR	ETHARP	ETHPARP
0	EIU 021 00 00 00	44 001 004 006 244		YES	YES
1	EIU 201 47 64 64	4 47 36 0 5		YES	YES

Table history

BCS36

Field SNIPADR replaces field SNHOSTID in BCS 36. Default values for fields ETHARP and ETHPAR were added in BCS36.

IPSCP

Table name

Internet Protocol to Service Control Point

Functional description

Table IPSCP contains configuration data for each Ethernet link interface unit (ELIU) to service control point (SCP) connection. Each tuple in this table corresponds to an ELIU.

Datafill sequence and meaning

Enter table LIUINV must contain entries before you can enter information in table IPSCP.

Table size

A maximum of 63 tuples

Datafill

Datafill for table IPSCP appears in the following table.

Field descriptions (Sheet 1 of 2)

Field	Subfield or refinement	Entry	Description and action
SCPKEY		0 to 62	<i>Service Control Point key.</i> This field is the key field.
ELIUNO		see to subfields	The <i>ELIU number</i> . Enter the ELIU number. This field contains subfields ELIU_NODE and ELIU_IDX.
	ELIU_NODE	ELIU	<i>ELIU node.</i> Enter ELIU to identify the node as an Ethernet link interface unit. ELIU is the only acceptable entry.
	ELIU_IDX	0 to 511	<i>ELIU number.</i> Enter the number or index assigned to the ELIU.
SOCKET1		see to subfields	<i>IP address first far-end application.</i> Enter the IP address of the first far-end application. For example, enter the location where the ELIU connects to the SCP. This field contains subfields IP_ADDR and APPL_PORT.

IPSCP (continued)**Field descriptions (Sheet 2 of 2)**

Field	Subfield or refinement	Entry	Description and action
SOCKET2	IP_ADDR	multiple with four integers in the range 0 to 255	<i>IP address.</i> Enter the internet protocol (IP) address for the first far-end application.
	APPL_PORT	1 023 to 5 000	<i>Application port.</i> Enter the port number for the first far-end application.
		see to subfields	<i>IP address second far-end application.</i> Enter the IP address of the second far-end application to which the ELIU connects. This field contains subfields IP_ADDR and APPL_PORT.
	IP_ADDR	multiple with four integers in the range 0 to 255	<i>IP address.</i> Enter the IP address for the second far-end application.
	APPL_PORT	1 023 to 5 000	<i>Application port.</i> Enter the port number for the second far-end application.

Datafill example

Sample datafill for table IPSCP appears in the following example.

MAP example for table IPSCP

SCPKEY	ELIUNO	SOCKET1	SOCKET2
0	ELIU 0	141 226 8 123	1513 141 226 9 130
2007			
1	ELIU 10	132 131 7 156	2111 132 131 7 128
1312			

Table history**TL07**

Table IPSCP was introduced in TL07.

IPSCP (end)

Additional information

There is no additional information.

IPSVCS

Table name

Internet protocol services

Functional description

This table associates a service with a port number.

The following datafill rules are associated with this table:

- Changes to a SERVICE are allowed/disallowed according to the particular application using the SERVICE.

For example, an application using a SERVICE tuple may not allow the SERVICE to be changed until all the resources using the SERVICE are no longer inservice.

Note that applications in TOPS-13 such as XIPVER, TOPS IP MIS over IP, and TOPS OC have their own rules on when changes are allowed to a SERVICE they are using indirectly through a COMID. Refer to the TOPS IP User's Guide for the specific rules.

- Deletion of a SERVICE is not allowed if the SERVICE is referenced in table IPCOMID.

- Duplicate port numbers are NOT allowed with the following exception:

A port number of 0 is used for applications initiating a client who wants the system to automatically assign a port number.

When a request is sent from the CM to the XPM using port number 0, it indicates a request for the XPM IP software to randomly assign a port number. Therefore, a port number of 0 is the ONLY port number that may be duplicated in datafilling this table.

Datafill sequence and meaning

There is no requirement to enter datafill into other tables before table IPSVCS.

Table size

0 to 1024 tuples

IPSVCS (continued)

Datafill

The table that follows lists datafill for table IPSVCS.

Field descriptions

Field	Subfield	Entry	Explanation and action
SERVICE		up to 16 characters	Service type. This field is the key to the table. Define a service to be associated with the port.
PORT		0 and 2048 to 12287	Port number. 0 indicates a port number to be automatically assigned by the XPM IP software when a request is sent by the application. This field cannot be changed if the field SERVICE value is datafilled in table IPCOMID against a COMID that is datafilled against a position in table TOPSPOS unless all positions associated with the COMID are offline.
PROTOCOL		TCP, UDP, TCP_UDP	IP service type. The entry indicates the protocol used by the application. This field can only be changed to UDP if the field SERVICE value is datafilled in table IPCOMID against a COMID that is datafilled against a position in table TOPSPOS.

Datafill example

The figure that follows shows sample datafill for table IPSVCS.

IPSVCS (end)**MAP display example for table IPSVCS**

SERVICE	PORT	PROTOCOL
FREEPOR	0	TCP_UDP
REMOTE1_IPSVC	2048	UDP
REMOTE2_IPSVC	7041	UDP
QSMIS	8330	TCP
QSMIS2	9000	TCP
XIPVER	11777	TCP_UDP
XIPVER2	8550	UDP

Table history**TOPS15**

Restriction for IP positions added to fields PORT and PROTOCOL by feature 59006658 in functionality OPP Over IP, OSB00101.

TOPS13

Initial release by feature A59007541 in functionality TOPS IP Evolution, OSB00001.

Additional information

None

IPTHRON

Table name

Internet Protocol Throttling Numbers

Functional description

Table IPTHRON contains the Internet protocol (IP) throttling numbers that control congestion. The IP is a network layer communication protocol. SuperNode applications that communicate with the Ethernet local area network (LAN) and an application processing unit (APU) require the IP. The APU is a link interface unit (LIU) node with group support operating system (SOS) and UNIX. The IP datagram flow from SuperNode hosts requires throttling. Throttling controls congestion in the shared communication resources between the local message switch (LMS) and the message switch (MS). The IP throttling numbers entered in this table indicate the level of throttling with each IP SuperNode host. The table indicates throttling in kilobytes (1024 bytes) per second (kbyte/s).

The recommended throttling numbers for an Ethernet interface unit (EIU) connected to a SuperNode Data Manager (SDM) are as follows.

- transmit capacity (TXCAPCT) is 5 kbyte/s
- receive capacity (RXCAPCT) is 15 kbyte/s

Site-specific engineering can have different throttling numbers.

The rules for this table are as follows:

- The LMS node name and number are key to each tuple.
- The first two fields for the tuple are numbers between 0 and 32 767. The numbers indicate the maximum IP transmit-and-receive rate in kbyte/s to and from the node. Enter this node as a key.
- The IP throttling numbers default to zero, or 100% throttling for all EIUs entered in table LIUINV. Throttling capacity numbers with values of zero do not allow the EIU to communicate to nodes across DS30 links. The APU datafill is optional in this table. If you do not enter APU in this table, the APU defaults to 0% throttling. A value of 0% throttling indicates that the system does not throttle IP traffic to and from the APU.
- Each tuple has eight optional fields.

IPTHRON (continued)

Each optional field contains the following:

- SuperNode node name like computing module (CM), file processor (FP), application processor (AP), EIU, or APU
- node index
- transmit capacity in kbyte/s
- Each optional field indicates the IP transmission rate from the node in the optional field to the EIU or the APU. Enter the EIU or APU as a key for the tuple.
- Enter the node name and index in the optional field first. Enter the name and the index in the correct inventory table. Table IPTHRON does not check the information in the optional field. For example, enter FPs in table APINV before you enter the FPs the IPTHRON tuple optional fields. The system accepts tuple in IPTHRON when you do not enter the FPs in table APINV.
- The transmit capacity of all of the nodes in the optional fields cannot exceed the LMS node capacity to receive. This condition applies to each tuple.
- For each tuple, the same node and node number must appear only one time in the optional fields.
- The system does not perform any other type of verification for a tuple. Maintenance personnel must check the location of the EIUs and APUs in the optional fields. The EIUs and the APS cannot have the same LIM as the LMS node.
- You can add, modify, or delete table entries when the node is online. You must enter the node in table LIUINV before you can enter the node in table IPTHRON. When you add EIUs to table LIUINV, the system automatically enters EIUs in the IPTHRON with default values. The default values have a transmit capacity of zero and receive capacity of zero. When you delete the EIU from table LIUINV the system deletes the EIU from IPTHRON. You cannot add or delete the EIU directly from table IPTHRON.
- The table does not depend on the other tables.

For datafill for the Circuit Switched Data (CSD) product for MTX offices, refer to *Circuit Switched Data Deployment Guide*, 411-2131-500 or your next level of support.

IPTHRON (continued)**Datafill sequence and meaning**

Enter the following tables before you enter table IPTHRON:

- LIUINV
- inventory tables for nodes in field SNNODE in table IPTHRON

Table size

0 to 755 tuples

The table can contain the maximum number of APU nodes allowed for table LIUINV and an additional four tuples.

Datafill

Datafill for table IPTHRON appears in the following table.

Field descriptions

Field	Subfield or refinement	Entry	Description and action
LMSNODE		see subfields	<i>Local message switch node</i> This field is the first and key field of the table. This field contains subfields LIUNAME and LIUNO.
	LIUNAME	APU or EIU	<i>Link interface unit name</i> Enter the LIU name. This field indicates an IP capable node connected to the LMS. You must enter the node in table LIUINV before you can enter the node in subfield LIUNAME. Enter APU for application processor unit. Enter EIU for Ethernet interface unit.
	LIUNO	0 to 750	<i>Link interface unit number</i> Enter the node index.
TXCAPCT		0 to 32 767	<i>Transmit capacity</i> Enter the IP transmission rate in kbyte/s from the node to all other SuperNode IP nodes.
RXCAPCT		0 to 32 767	<i>Receive capacity</i> Enter the IP receive rate in kbyte/s from all other SuperNode nodes to the node.

IPTHRON (continued)**Field descriptions**

Field	Subfield or refinement	Entry	Description and action
OPTION		see subfield	<i>Option</i> This field contains subfield SNNODE.
	SNNODE	AP, APU, CM, EIU, ELIU, FP or MS	<i>SuperNode node</i> Enter the name of the SuperNode node. Enter the node first in the inventory table of the node. For example, enter FP in table APINV. You can enter a maximum of eight nodes. If the system requires a maximum of seven nodes, end the list with a \$. Enter AP. Enter refinement SMNINDEX. Enter APU. Enter refinement APUINDEX. Enter CM. Go to refinement TXCAPCT. Enter EIU. Enter refinement EIUINDEX. Enter ELIU. Enter refinement ELIUINDEX. Enter FP. Enter refinement SMNINDEX. Enter MS. Enter refinement MSINDEX.
	SMNINDEX	0 to 99	<i>Synchronized and matched node index</i> If the entry in field SNNODE is AP or FP, enter the synchronized and matched node (SMN) index. Go to refinement TXCAPCT.
	APUINDEX	0 to 750	<i>Application processor unit index</i> If the entry in field SNNODE is APU, enter the APU index. Go to refinement TXCAPCT.
	EIUINDEX	0 to 750	<i>Ethernet interface unit index</i> If the entry in field SNNODE is EIU, enter the EIU index. Go to refinement TXCAPCT.

IPTHRON (continued)**Field descriptions**

Field	Subfield or refinement	Entry	Description and action
	ELIUINDEX	0 to 750	<i>Ethernet link interface unit index</i> If the entry in field SNNODE is ELIU, enter the ELIU index. Go to refinement TXCAPCT.
	MSINDEX	0 to 1	<i>Message switch index</i> If the entry in field SNNODE is MS, enter the MS index. Go to refinement TXCAPCT.
	TXCAPCT	0 to 32767	<i>Transmit capacity</i> Enter the IP transmission rate in kbyte/s from node to node. The node name and number are key to this tuple.

Datafill example

Sample datafill for table IPTHRON appears in the following table.

MAP example for table IPTHRON

LMSNODE	TXCAPCT	RXCAPCT	OPTION
EIU 104	500	1500	(ELIU 102 15) (ELIU 101 30)\$

Table history**NA017**

Modify text to reflect standard and consistent use of the term kilobyte.

TL07

The LIU type ELIU to field SNNODE was added in TL07.

TL05

Added recommended throttling numbers for an EIU connected to an SDM in TL05.

IPTHRON (end)

BCS35

Table IPTHRON was introduced in BCS35.

IRLNKINV**Table name**

Interlink Inventory Table

Functional description

Table IRLNKINV allows the operating company to configure a new dual remote cluster controller (RCC) or reconfigure an existing dual RCC. This table informs the software about the physical configuration of interlinks between RCCs of a dual RCC.

Datafill sequence and implications

The following tables must be datafilled before table IRLNKINV:

- SITE
- RCCINV
- RCCPSINV

Table size

0 to 255 tuples

Datafill

The following table lists datafill for table IRLNKINV.

Field descriptions (Sheet 1 of 3)

Field	Subfield or refinement	Entry	Explanation and action
RCCNAME		see subfields	<i>RCC name (Location 1)</i> This field consists of subfields SITENM, PMTYPE, and RCCNO.
	SITENM	alphanumeric (up to four characters)	<i>Site name</i> Enter one of the names defined in table SITE.
	PMTYPE	RCC, RCC2, or SRCC	<i>Peripheral module type</i> Enter the peripheral module (PM) type: <ul style="list-style-type: none"> • RCC (remote cluster controller) • RCC2 (remote cluster controller 2) • SRCC (SONET remote cluster controller)

IRLNKINV (continued)**Field descriptions (Sheet 2 of 3)**

Field	Subfield or refinement	Entry	Explanation and action
INTERRCC	RCCNO	0 to 255	<i>Remote cluster controller number</i> Enter the external number of the positioned RCC (defined in table RCCINV).
		see subfields	<i>Inter-RCC name (Location 2)</i> This field holds the identifying information for the mate RCC. It consists of subfields SITETYPE and XPMNO.
	SITETYPE	see subfields	<i>Site type</i> This field consists of subfields SITE and PMT.
	SITE	alphanumeric (up to four characters)	<i>Site</i> Enter the site name of the mate RCC previously defined in table SITE.
	PMT	alphanumeric	<i>Peripheral module type</i> Enter the PM type.
IRLNKTAB	XPMNO	0 to 255	<i>Extended multi-processor system-based PM number</i> Enter the external number of the mate PM previously defined in table RCCINV.
		see subfields	<i>Interlink table</i> This field is a vector of up to 14 multiples. It consists of subfields RCC1PORT and RCC2PORT.
	RCC1PORT	0 to 47 or NILPORT	<i>RCC1 port</i> Enter the port-to-port definition of each interlink to be configured (up to a maximum of 14 interlinks total). Enter the positioned RCC port number and the spouse RCC port number (separated by a single space) for each interlink. NILPORT is valid only when entered to delete an existing link. Interlinks 0 and 8 must be defined as inter-RCC2 message links for the DRCC2 shelf.

IRLNKINV (continued)**Field descriptions (Sheet 3 of 3)**

Field	Subfield or refinement	Entry	Explanation and action
	RCC2PORT	0 to 47 or NILPORT	<p><i>RCC2 port</i> Enter the port-to-port definition of each interlink to be configured (up to a maximum of 14 interlinks total). Enter the positioned RCC port number and the spouse RCC port number (separated by one space) for each interlink. NILPORT is valid only when entered to delete an existing link.</p> <p>Interlinks 0 and 8 must be defined as inter-RCC2 message links for the DRCC2 shelf.</p>
ESAFORCE		Y or N	<p><i>Emergency stand-alone forced</i> Enter Y (yes) if the RCC is to be forced into emergency stand-alone (ESA) when the interconnected RCC has entered ESA. Otherwise, enter N (no).</p> <p>Note: The interconnected RCC automatically has its ESAFORCE field changed to Y.</p>

Datafill example

Two examples of datafill for table IRLNKINV are shown below. The examples show two views of the same set of interlinks between RCCs defined as RAL5 RCC 11 and RAL6 RCC 12.

The first example, below, shows the configuration of a typical set of interlinks between RCCs of a Dual RCC. The configuration is positioned on RCC RAL5 RCC 11. The ports are connected by DS-1 link.

Ports 1, 3, 9, 11, 12, and 13 of RAL5 RCC 11 connect to ports 1, 3, 9, 11, 12, and 14 of RAL6 RCC 12.

IRLNKINV (continued)

MAP display example for table IRLNKINV

RCCNAME	INTERRCC	IRLNKTAB
ESAFORCE		

RAL5	RCC 11	RAL6 RCC 12
(1 1)	(3 3)	(9 9) (11 11) (12 12) (13 14)\$
Y		

The second example, below, shows the same set of interlinks as the first example with the configuration positioned on the RCC identified as RAL6 RCC 12 instead of RAL5 RCC 11.

Observe that configuration details for the positioned-on RCC are entered in the left-number field of the port-pair numbers of field IRLNKTAB.

The configuration details of the connected-to RCC are entered in the right-number field of the port-pair numbers of field IRLNKTAB.

MAP display example for table IRLNKINV

RCCNAME	INTERRCC	IRLNKTAB
ESAFORCE		

RAL6	RCC 12	RAL5 RCC 11 (1 1) (3 3)
		(9 9) (11 11) (12 12) (14 13)\$
Y		

Table history
NA008

Table IRLNKINV has been updated for the NA011 release of this document. This update was made in response to a Problem Resolution System (PRS) request for the NA008 timeframe.

IRLNKINV (end)

NA004

The following changes were made to table IRLNKINV:

- added note to subfields RCC1PORT and RCC2PORT regarding P-side inter-RCC2 links 0 and 8 and BITS
- added MAP display for table IRLNKINV with BITS defined in table SYLNKINV

ISAINFO

Table name

In-Session Activation Information

Functional description

Table ISAINFO controls the attributes of the ISA feature

Datafill sequence and implications

The following tables must be datafilled before table ISAINFO.

- DNREGION
- OCCNAME
- CUSTENG

Table size

13 tuples

Datafill

The following table lists datafill for table ISAINFO.

Field descriptions

Field	Subfield or refinement	Entry	Explanation and action
KEY		REXLA, XLAMETHD, INTER, DNSCRN, UCBSYLOC, UCBSYTOL, UCRNALOC, UCRNATOL, EXDIGCOL, CHKGRP, AUDRING, and DTRSUP	Key. This field consists of the ISA attributes.

ISAINFO (continued)**Field descriptions**

Field	Subfield or refinement	Entry	Explanation and action
ISADATA		see subfields	In-Session Activation data. This field consists of subfield ISAPARM and refinements.
	ISAPARM	REVXLA, XLAMETHD, INTER, DNSCRN, UCBSYLOC, UCBSYTOL, UCRNALOC, UCRNATOL, EXDIGCOL, CHKCGRP, AUDRING, and DTRSUP	In-Session Activation parameters. This field specifies the parameter of each ISA attribute. The refinements that must be datafilled for each parameter are described in the following pages. Note: This field must have the same value as field KEY.

Parameter REVXLA

When parameter REVXLA is entered, the following refinement in table ISAINFO must be datafilled.

Field descriptions

Field	Subfield or refinement	Entry	Explanation and action
REVVVAL		Y or N	Reverse translation value. This field specifies whether reverse translation is used. An entry of Y (yes) specifies that reverse translation is used to determine the NPA of the called DN when the NPA is not dialed. An entry of N (no) specifies that when the NPA of the called DN is not dialed, it is set to the NPA of the calling DN. The default value is N.

Datafill example

The following example shows datafill for table ISAINFO parameter REVXLA

ISAINFO (continued)

MAP display example for table ISAINFO parameter REVXLA

KEY	ISADATA	
REVXLA	REVXLA	N

Parameter XLAMETHD

When parameter XLAMETHD is entered, the following refinement in table ISAINFO must be datafilled.

Field descriptions

Field	Subfield or refinement	Entry	Explanation and action
XLAMETHOD		REVXLA, or RTGCHR	Translation method. This field specifies the translation method used by ISA to translate the call originated by ISA when the ROUTDN selector is specified. An entry of REVXLA specifies that the reverse translations tables (DNREVXLA and DNREGION) are used. An entry of RTGCHR specifies that the routing characteristics tables are used. The default value is REVXLA

Datafill example

The following example shows datafill for table ISAINFO parameter XLAMETHD.

MAP display example for table ISAINFO parameter XLAMETHD

KEY	ISADATA	
XLAMETHD	XLAMETHD	REVXLA

ISAINFO (continued)

Parameter INTER

When parameter INTER is entered, the following refinement in table ISAINFO must be datafilled.

Field descriptions

Field	Subfield or refinement	Entry	Explanation and action
INTERLAT		Y or N	InterLATA. This field specifies whether ISA is enabled on interLATA (toll) calls. The default value is Y.

Datafill example

The following example shows datafill for table ISAINFO parameter INTER.

MAP display example for table ISAINFO parameter INTER

KEY	ISADATA	
INTER	INTER	Y

ISAINFO (continued)

Parameter DNSCRN

When parameter DNSCRN is entered, the following refinement in table ISAINFO must be datafilled.

Field descriptions

Field	Subfield or refinement	Entry	Explanation and action
DNREGION		1 through 16 alphanumeric characters, or VACANT	<p>Directory number region. This field specifies the DN region name of the calling DN that cannot have ISA activated. The default value is VACANT.</p> <p>Note: The corresponding DN region name must be datafilled in table DNREGION. If the tuple in table DNREGION is removed, REGION_DELETED appears in this field, at which point either an existing value in table DNREGION, or VACANT must be specified.</p>

Datafill example

The following example shows datafill for table ISAINFO parameter DNSCRN.

MAP display example for table ISAINFO parameter DNSCRN

KEY	ISADATA	
DNSCRN	DNSCRN	ISADNREG

ISAINFO (continued)**Parameter UCBSYLOC**

When parameter UCBSYLOC is entered, the following refinement in table ISAINFO must be datafilled.

Field descriptions

Field	Subfield or refinement	Entry	Explanation and action
CARRLIST		1 through 16 alphanumeric characters	<p>Carrier list. This field specifies the name of each carrier for which ISA is not to be invoked when a busy condition is encountered on a local call. The default value is \$. A maximum of 32 carrier names is allowed.</p> <p>Note: The corresponding carrier names must be specified in table OCCNAME. Neither NILC nor USE_PREVIOUS are valid values.</p>

Datafill example

The following example shows datafill for table ISAINFO parameter UCBSYLOC.

MAP display example for table ISAINFO parameter UCBSYLOC

KEY	ISADATA		
UCBSYLOC	UCBSYLOC	CARR1	\$

ISAINFO (continued)

Parameter UCBSYTOL

When parameter UCBSYTOL is entered, the following refinement in table ISAINFO must be datafilled.

Field descriptions

Field	Subfield or refinement	Entry	Explanation and action
CARRLIST		1 through 16 alphanumeric characters	Carrier list. This field specifies the carriers that are not supported on the first leg of a toll call that encounters a busy condition. The default value is \$. A maximum of 32 carrier names is allowed. Note: The corresponding carrier names must be specified in table OCCNAME. Neither NILC nor USE_PREVIOUS are valid values.

Datafill example

The following example shows datafill for table ISAINFO parameter UCBSYTOL.

MAP display example for table ISAINFO parameter UCBSYTOL

KEY	ISADATA		
UCBSYTOL	UCBSYTOL	CARR2	\$

ISAINFO (continued)**Parameter UCRNALOC**

When parameter UCRNALOC is entered, the following refinement in table ISAINFO must be datafilled.

Field descriptions

Field	Subfield or refinement	Entry	Explanation and action
CARRLIST		1 through 16 alphanumeric characters	Carrier list. This field specifies the name of each carrier for which ISA is not to be invoked when an RNA condition is encountered on a local call. The default value is \$. A maximum of 32 carrier names is allowed. Note: The corresponding carrier names must be specified in table OCCNAME. Neither NILC nor USE_PREVIOUS are valid values.

Datafill example

The following example shows datafill for table ISAINFO parameter UCRNALOC.

MAP display example for table ISAINFO parameter UCRNALOC

KEY	ISADATA		
UCRNALOC	UCRNALOC	CARR3	\$

ISAINFO (continued)

Parameter UCRNATOL

When parameter UCRNATOL is entered, the following refinement in table ISAINFO must be datafilled.

Field descriptions

Field	Subfield or refinement	Entry	Explanation and action
CARRLIST		1 through 16 alphanumeric characters	Carrier list. This field specifies the carriers that are not supported on a toll call that encounters a ring/no answer condition. The default value is \$. A maximum of 32 carrier names is allowed. Note: The corresponding carrier names must be specified in table OCCNAME. Neither NILC nor USE_PREVIOUS are valid values.

Datafill example

The following example shows datafill for table ISAINFO parameter UCRNATOL.

MAP display example for table ISAINFO parameter UCRNATOL

KEY	ISADATA
UCRNATOL	UCRNATOL CARR4 \$

ISAINFO (continued)

Parameter EXDIGCOL

When parameter EXDIGCOL is entered, the following refinement in table ISAINFO must be datafilled.

Field descriptions

Field	Subfield or refinement	Entry	Explanation and action
EXPERIOD		0, or 5 through 30	Extension period. This field specifies the number of seconds the digit acceptance period for the first level announcement is extended. When this field is set to 0, the digit acceptance period ends at the same time as the announcement. The default value is 10.

Datafill example

The following example shows datafill for table ISAINFO parameter EXDIGCOL.

MAP display example for table ISAINFO parameter EXDIGCOL

KEY	ISADATA
EXDIGCOL	EXDIGCOL 10

ISAINFO (continued)

Parameter CHKGRP

When parameter CHKGRP is entered, the following refinements in table ISAINFO must be datafilled.

Field descriptions

Field	Subfield or refinement	Entry	Explanation and action
CHECKGRP		Y or N	Check customer group. This field specifies whether ISA is available to a single customer group, or to all customer groups. When set to Y (yes), the customer group name must be specified in the GROUP subfield. The default value is N.
	GROUP	1 through 16 alphanumeric characters	Group. This field specifies the name of the customer group that has access to ISA. Note: The corresponding customer group name must be specified in table CUSTENG.

Datafill example

The following example shows datafill for table ISAINFO parameter CHKGRP.

MAP display example for table ISAINFO parameter CHKGRP

KEY	ISADATA	
CHKGRP	CHKGRP	Y RESGRP1

ISAINFO (continued)**Parameter AUDRING**

When parameter AUDRING is entered, the following refinement in table ISAINFO must be datafilled.

Field descriptions

Field	Subfield or refinement	Entry	Explanation and action
AUDRINGVAL		Y or N	Audible ringing value. This field specifies whether audible ringing is provided to the caller between the time the RNA timer expires and the time the announcement begins. When set to Y, audible ringing is provided. The default value is N.

Datafill example

The following example shows datafill for table ISAINFO parameter AUDRING.

MAP display example for table ISAINFO parameter AUDRING

KEY	ISADATA	
AUDRING	AUDRING	N

Parameter DTRSUP

When parameter DTRSUP is entered, the following refinement in table ISAINFO must be datafilled.

Field descriptions

Field	Subfield or refinement	Entry	Explanation and action
DTRSUPPORT		Y or N	Digital tone receiver support. This field specifies whether ISA is available to end user lines in the originating office that uses digital tone receivers (DTR). The default value is N.

ISAINFO (end)

Datafill example

The following example shows datafill for table ISAINFO parameter DTRSUP.

MAP display example for table ISAINFO parameter DTRSUP

KEY	ISADATA	
DTRSUP	DTRSUP	N

Table history

NA006

ISAINFO table created.

NA011

All references to office parameter NBEXTBLK removed.

ISAMENU

Table name

In-Session Activation Menu

Functional description

Table ISAMENU is used to map user entries to actions for ISA, and to define the announcements to be played.

Datafill sequence and implications

The following tables must be datafilled after table ISAMENU:

- CUSTSTN
- SPINFO
- IBNFEAT
- KSETFEAT

The following table are to be datafilled before table ISAMENU:

- IBNXLA
- CLLI
- ANNS
- ANNMEMS
- DRAMTRK
- DRMUSERS

Table size

0 to 3,328 tuples

ISAMENU (continued)**Datafill**

The following table lists datafill for table ISAMENU.

Field descriptions

Field	Subfield or refinement	Entry	Explanation and action
KEY		see subfields	Key. This field consists of subfields MENUID and DIGIT.
	MENUID	1 through 16 alphanumeric characters	Menu identifier. This field indicates the menu identifier of the announcement played to the end user. A maximum of 15 menu identifiers is allowed. Note: NILMENU is not a valid value.
	DIGIT	0 through 9, STAR, OCTO, or MENU	Digit. This field indicates the key pressed by the end user. When set to MENU, a new menu identifier is defined.
MENUDATA		see subfields	Menu data. This field consists of subfield SELECTOR, which is described below.
	SELECTOR	PRMPT, FEAT, ROUTDN, REPEAT, REJECT, IGNORE, STND, or CUSTOM	Selector. This field indicates the action to take, which is dependent on the selector. PRMPT provides the end user with another menu level, FEAT specifies the feature to be started, which is based on the end user's entry, ROUTDN indicates to route the call to the specified DN, REPEAT indicates to replay the announcement, REJECT specifies to stop ISA and return the call to the original state, IGNORE indicates to ignore the end user's entry, STND defines a menu that can play standard announcements, and CUSTOM defines a menu that can play custom announcements. The fields that must be datafilled for each selector, are documented in the following pages. Note: Selectors STND and CUSTOM are only available when MENU is entered in field DIGIT.

ISAMENU (continued)**Selector PRMPT**

When Selector PRMPT is entered, the following field in table ISAMENU must be datafilled.

Field descriptions

Field	Subfield or refinement	Entry	Explanation and action
MENUID		1 through 16 alphanumeric characters	Menu identifier. This field specifies the menu identifier of the next announcement to be played.

Datafill example

The following example shows datafill for table ISAMENU selector PRMPT.

MAP display example for table ISAMENU selector PRMPT

KEY	MENUIDATA
ISABSY1	STAR
	PRMPT ISABSY2

Selector FEAT

When selector FEAT is entered, the following fields in table ISAMENU must be datafilled.

Field descriptions

Field	Subfield or refinement	Entry	Explanation and action
FAC		vector of up to 4 digits	Feature access code. This field indicates a string of digits that correspond to a digilator index used to index a feature access code in table IBNXLA.
INFO		0 through 32 characters	Information. Indicates the feature to which the access code specified in field FEATCODE, is associated.

ISAMENU (continued)**Datafill example**

The following example shows datafill for table ISAMENU selector FEAT.

MAP display example for table ISAMENU selector FEAT

KEY		MENU DATA	
ISABSY1	1	FEAT 44	AUTOMATIC_CALL_BACK

Selector ROUTDN

When Selector ROUTDN is entered, the following field in table ISAMENU must be datafilled.

Field descriptions

Field	Subfield or refinement	Entry	Explanation and action
DN		10-digit directory number	Directory number. Enter the 10-digit directory number to which the call is to be routed.

Datafill example

The following example shows datafill for table ISAMENU selector ROUTDN.

MAP display example for table ISAMENU selector ROUTDN

KEY		MENU DATA	
ISABSY12	2	ROUTDN	5147658888

ISAMENU (continued)

Selector STND

When Selector STDN is entered, the following field in table ISAMENU must be datafilled.

Field descriptions

Field	Subfield or refinement	Entry	Explanation and action
REPEAT		Y or N	Repeat. This field indicates whether the announcement is repeated once when the announcement ends without the end user having entered any digits.
PRILCLLI		1 through 16 characters	<p>Primary language CLLI. Specifies the CLLI code of the announcement to be played in the primary language.</p> <p>Note 1: The corresponding CLLI code must be datafilled in tables CLLI, ANNS, ANNMEMS, and DRAMTRK.</p> <p>Note 2: If the PRILCLLI is not datafilled in table DRAMTRK, and a bilingual announcement is enabled, neither the primary nor the secondary language announcement is played.</p>
SECLCLLI		1 through 16 characters, or NILCLLI	<p>Secondary language CLLI. Specifies the CLLI code of the announcement to be played in the secondary language when the SL option is assigned to the end user's line.</p> <p>Note 1: The corresponding CLLI code must be datafilled in tables CLLI, ANNS, ANNMEMS, and DRAMTRK.</p> <p>Note 2: If the SECLCLLI is not datafilled in table DRAMTRK, only the primary announcement is played, and announcement repetition and extended digit collection do not function.</p>

ISAMENU (continued)**Field descriptions**

Field	Subfield or refinement	Entry	Explanation and action
INVDIG		REP or IGN	Invalid digit. This field specifies the default behavior of ISA when the end user enters an invalid digit. When set to IGN, invalid digits are ignored and the announcement continues to play. When set to REP, the announcement is repeated using either the announcement specified in field ERCLLI or SERCLLI, when datafilled, on the first unsuccessful attempt. On the second unsuccessful attempt, the call is returned to the original call state at the first level announcement, or is routed to the ISAXIT treatment at the second level announcement.
	ERCLLI	1 through 16 alphanumeric characters, or NILCLLI	Primary CLLI code error. This field specifies the CLLI code of the announcement to be played in the primary language when the end user enters an invalid digit during the digit acceptance period.
	SERCLLI	1 through 16 alphanumeric characters, or NILCLLI	Secondary CLLI code error. This field specifies the CLLI code of the announcement to be played in the secondary language when the end user enters an invalid digit during the digit acceptance period.

Datafill example

The following example shows datafill for table ISAMENU selector STND.

MAP display example for table ISAMENU selector STND

KEY	MENU	MENUDATA		
ISABSY1	MENU	STND	N	ISAENGB1 ISAFREB1 IGN

ISAMENU (continued)**Selector CUSTOM**

When Selector CUSTOM is entered, the following field in table ISAMENU must be datafilled.

Field descriptions

Field	Subfield or refinement	Entry	Explanation and action
REPEAT		Y or N	Repeat. This field indicates whether the announcement is repeated once if the announcement ends without the end user having entered any digits.
ANNCLLI		1 through 16 alphanumeric characters	Announcement CLLI. This field specifies the CLLI code of the next announcement to be played. Note: The corresponding CLLI code must be datafilled in table DRMUSERS.
ANNIND		1 through 255	Announcement indicator. This field specifies the index code of the announcement, which corresponds to the announcement datafilled in table DRMUSERS, that is to be played. Note: The announcement played is the announcement associated with the index code specified in this field.

ISAMENU (continued)**Field descriptions**

Field	Subfield or refinement	Entry	Explanation and action
INVDIG		IGN or REP	Invalid digit. This field specifies the default behavior of ISA when the end user enters an invalid digit. When set to IGN, invalid digits are ignored and the announcement continues to play. When set to REP, the announcement is repeated using either the announcement specified in field ERRIND, when datafilled, on the first unsuccessful attempt. On the second unsuccessful attempt, the call is returned to the original call state at the first level announcement, or is routed to the ISAEXIT treatment at the second level announcement.
	ERRIND	1 through 255	Error indicator. This field specifies the index code of the announcement to be played when the end user enters an invalid digit and the value in field INVSEL is set to REP. Note: The corresponding index code must be datafilled in table DRMUSERS, otherwise, the ISA announcement is replayed.

Datafill example

The following example shows datafill for table ISAMENU selector CUSTOM.

MAP display example for table ISAMENU selector CUSTOM

KEY	MENU	MENUDATA
ISABSY1	MENU	CUSTOM Y ISACUST1 1 REP 2

Table history**NA017**

The datafill sequence has changed.

2-70 New or changed data schema tables

ISAMENU (end)

NA006

In-Session Activation Menu was created.

ISAXLA

Table name

Integrated Services Access Translation Table

Functional description

Table ISAXLA provides the service parameters for integrated services access (ISA) calls that employ the service identifier (SID) for services applied to each call (primary rate access [PRA]).

ISA allows call-by-call access to public and private network services through one common integrated access facility. The PRA signaling protocol provides enhancements to the following services: originating public (PUB), private (PVT), outward wide area telephone service (OUTWATS), and tie trunks (TIE) and PUB, PVT, WATS, TIE, foreign exchange (FX) trunks, and inward WATS (INWATS) terminating over a single PRA.

Note: For more information on the above services, see table LTCALLS.

ISA also allows the T1 access facility to evolve from a statically defined access arrangement to an access pipe, in which any open access circuit can originate or terminate any switched service the customer subscribes to. Calls originating over an ISA PRA facility are handled based on the call type.

Table ISAXLA defines the services-related data associated with ISA calls that use the SID to determine translations and routing for calls datafilled in table LTCALLS. The table is accessed by an eight-character router name (field IRTRNAME) and SID range (fields SIDFROM and SIDTO) to form the key. Once the logical terminal identifier (LTID) is determined from the trunk common language location identifier (CLLI), and the call type is determined from the network specific facilities (NSF) information, table LTCALLS is accessed. If the selector is XLAISA, the SID from the NSF is used with the router name (field RTRNAME) to access table ISAXLA (field IRTRNAME).

For ISDN user part (ISUP) calls, ISA translations are based on the multiple business group number (Common Channel Signaling 7 [CCS7] communications partition).

Datafill sequence and implications

All router names must be deleted from tables MBGXLA and LTCALLS before the last tuple in table ISAXLA with that router name can be deleted.

Table OFRT must be datafilled before table ISAXLA if field RTEID is datafilled.

ISAXLA (continued)**Table size**

0 to 30 000 tuples

Datafill

The following table lists datafill for table ISAXLA.

Field descriptions (Sheet 1 of 2)

Field	Subfield or refinement	Entry	Explanation and action
IRTRNAME		alphanumeric (up to 128 8-character names)	<i>Router name</i> Enter up to 128 router names datafilled in table LTCALLS under the XLAISA selector, or in field IRTRNAME in table MBGXLA. Multiple tuples with the same router name are allowed.
SIDFROM		0 to 1023	<i>Service identifier from</i> Enter the lower boundary of the service identifiers (SID) values that continue translations and routing.
SIDTO		0 to 1023	<i>Service identifier to</i> Enter the upper boundary of the SID values that continue translations and routing.
Note 1: The SIDFROM and SIDTO values form a range of values that can be datafilled over the entire range of the SIDs, over a subrange of the SIDs, or over one single SID.			
Note 2: The SIDFROM and SIDTO values cannot overlap each other for the same router name.			
Note 3: A maximum of 128 different SIDFROM and SIDTO combinations can be specified for the same router name.			
RTEID		see subfield	<i>Route identifier</i> This field consists of subfield TABNAME. This is an optional table route reference.

ISAXLA (end)**Field descriptions (Sheet 2 of 2)**

Field	Subfield or refinement	Entry	Explanation and action
INDEX	TABNAME	IBNRT2 IBNRT3 IBNRT4 IBNRTE OFR2 OFR3 OFR4 OFRT	<i>Table name</i> Enter the routing table name. If no route identifier is used, enter \$. Any entry outside the range of indicated values for this field is invalid.
		0 to 1023 or alphanumeric	<i>Index</i> Enter the index into the routing table. If the entry in subfield TABNAME is TOPS, enter the call origination index into table TOPS.

Datafill example

The following example shows sample datafill for table ISAXLA.

MAP display example for table ISAXLA

IRTRNAME	SIDFROM	SIDTO	RTEID
ANANAME	10	40	OFRT 3

Table history**BCS31**

Table ISAXLA introduced

ISCTAB

Table name

International Service Calls Table

Functional description

Table ISCTAB is used for outbound international service calls (ISC) only.

The valid outbound ISC types are:

- global virtual private network (GVPN)
- international 800 service (I800)
- international directory assistance (IDA)
- international general operator assistance (IGA)
- international virtual private network (IVPN)

Table ISCTAB enables the manipulation of the called digits after the facility code is stripped off.

Table ISCTAB is indexed by the call type (from table OFC) and the digits received by the DMS-300. It provides the OVR x ($x = 0$ to 9) table name and index for routing. Also provided is the index number into table GWDIGMAN (Gateway Digit Manipulation). Table GWDIGMAN manipulates the incoming digits into the required outgoing format for both inbound and outbound calls.

For related information, refer to table IFC.

Datafill sequence and implications

The following tables must be datafilled before table ISCTAB:

- GWDIGMAN
- OVR(0-9)
- MMA(0-9)

Table size

Since table ISCTAB is digilator based, the maximum number of tuples varies. This table uses one digilator pool that enables the use of 32 kilowords. In the best case, over 99 999 tuples can be added. In the worst case, approximately 10 000 tuples can be added.

Store for table ISCTAB is dynamically allocated.

ISCTAB (continued)**Datafill**

The following table lists datafill for table ISCTAB.

Field descriptions (Sheet 1 of 2)

Field	Subfield or refinement	Entry	Explanation and action
ISCKEY		see subfields	<i>International service call key</i> This field, which is the key to table ISCTAB, consists of subfields CALLTYPE and DIGITS.
	CALLTYPE	GVPN, I800, IDA, IGA, or IVPN	<i>Call type</i> Enter one of the following call types: <ul style="list-style-type: none"> • GVPN (global virtual private network) • I800 (international 800 service) • IDA (international directory assistance) • IGA (international general operator assistance) • IVPN (international virtual private network) The entry in this field represents the call type of an outbound international service call (ISC). Entry values other than those listed above are not valid.
	DIGITS	numeric (1 to 16 digits)	<i>Called digits</i> Enter the called number digits that follow the facility code.
GWIDX		numeric (1 to 65535)	<i>Index to table GWDIGMAN</i> Enter the index into table GWDIGMAN for digit manipulation. Entry values greater than 65535 are not valid.
TABNAME		see subfields	<i>Table name</i> This field consists of subfields TABID and KEY.

ISCTAB (end)

Field descriptions (Sheet 2 of 2)

Field	Subfield or refinement	Entry	Explanation and action
	TABID	OVR0-9 or MMA0-9	<i>Table identification</i> Enter the name of the table containing the index that specifies the route of the call. Table names other than OVR0-9 or MMA0-9 are not valid.
	KEY	numeric (1 to 1023)	<i>Table key</i> Enter the index into the table specified in field TABID. An entry value of 0 (zero) is not valid.

Datafill example

The following example shows sample datafill for table ISCTAB.

MAP display example for table ISCTAB

ISCKEY	GWIDX	TABNAME
I800 8007671111	1	OVR4 1

ISDNBILL

Table name

ISDN Services Billing Table

Functional description

Table ISDNBILL allows the operating company to define groupings of ISDN signaling and supplementary services that need to be recorded in Bellcore automatic message accounting (AMA) format. Table ISDNBILL associates a name of up to 16 characters with a list of supported signaling and supplementary services specific to ISDN.

The services supported by table ISDNBILL include:

- CDS (called party subaddress delivery)
- CGS (calling party subaddress delivery)
- HLC (high-layer compatibility information)
- LLC (low-layer compatibility information)

Note: CDS, HLC, and LLC are services billed to the associated directory number (DN) or call type for usage as an originator. CGS is billed to the associated DN or call type upon receiving the calling party subaddress information as a terminator.

The ISDN group names in table ISDNBILL are associated with a DN or with call type pairs in table DNATTRS through the ISDNAMA option.

An ISDN group name in table ISDNBILL can be associated with as many DNs or call type pairs as required in table DNATTRS. An ISDN group name in table ISDNBILL cannot be deleted as long as it is associated with one or more DNs or call type pairs in table DNATTRS. If the content of an ISDN group in table ISDNBILL is changed, the new content of the group is applied on the next origination from each of the associated DNs or call type pairs. An ISDN group name must be defined in table ISDNBILL prior to assignment to any DN or call type pairs in table DNATTRS.

A DN or call type pair can have only one ISDN group name associated with it. A DN or call type pair is not required to have a capability that an associated ISDNBILL group indicates as a billable service.

Datafill sequence and implications

There is no requirement to datafill other tables prior to table ISDNBILL.

ISDNBILL (continued)**Table size**

0 to 1023 tuples

Memory is dynamically allocated for each tuple in table ISDNBILL.

Datafill

The following table lists datafill for table ISDNBILL.

Field descriptions

Field	Subfield or refinement	Entry	Explanation and action
GRPNAME		alphanumeric (1 to 16 characters)	<i>ISDN Automatic Message Accounting Group Name</i> Enter the ISDN billing group. The name specified in this field is used to identify a specific ISDN automatic message accounting (AMA) group. ISDN AMA group names are defined by the operating company.
SERVICES		CDS, CGS, HLC, LLC	<i>ISDN billing service options</i> Enter up to eight multiples of the ISDN service billing options for each ISDN billing group. (At least one entry is needed in field SERVICES. An empty vector is acceptable to the table editor, but it is not recommended.) If less than eight multiples are required, end the list with a \$ (dollar sign). <ul style="list-style-type: none"> • CDS (called party subaddress delivery) • CGS (calling party subaddress delivery) • HLC (high-layer compatibility information) • LLC (low-layer compatibility information) The list of services associated with the group name results in detailed billing upon usage. An empty list is allowed but not recommended.

Datafill example

The following example shows sample datafill for table ISDNBILL.

This example shows a grouping called RECORDALL that contains all the supported signaling capabilities. When this group is associated with a DN or

ISDNBILL (end)

call type, usage of CDS, CGS, LLC, and HLC information by the DN or call type is recorded in AMA.

MAP display example for table ISDNBILL

GRPNAME	SERVICES
RECORDALL	CDS
	CGS
	LLC
	HLC
	\$

Table history
BCS34

Table ISDNBILL was introduced.

ISDNPARM

Table name

ISDN Trunk Subgroup Parameter Table

Functional description

Table ISDNPARM allows the operating company to specify the optional information element handling routine for each primary rate interface (PRI) for certain Q931 messages.

Information elements can be used three ways:

- transported in an access transport parameter (ATP) of an ISDN user part (ISUP) message
- mapped to a non-ATP in an ISUP message
- blocked

The transport of information elements using ATP and the mapping of these elements to a non-ATP ISUP parameter apply only to messages arriving at a PRI end user on a PRI-to-ISUP call.

Table ISDNPARM uses a three-part key consisting of a name, message type, and message direction. The name associates ISDNPARM tuples with a PRI defined in table TRKSGRP.

Datafill sequence and implications

There is no requirement to datafill other tables prior to table ISDNPARM.

Table size

3 to 384 tuples

The maximum size of table ISDNPARM is calculated using the following equation:

$$N = n \times m \times d$$

where

N
is the maximum number of tuples

n
is the maximum number of unique names allowed (64)

m
is the maximum number of different message types (3)

ISDNPARM (continued)**d**

is the maximum number of message directions (2)

Note: The current values for n, m, and d are shown in brackets. The minimum number of tuples results from the three default tuples associated with this table.

Datafill

The following table lists the datafill for table ISDNPARM.

Field descriptions (Sheet 1 of 3)

Field	Subfield	Entry	Explanation and action
NAME		alphabetic (1 to 8 characters)	<i>Parameter name</i> Enter the parameter name to link each primary rate interface (PRI) to a list of messages, optional information elements, and actions that apply to a particular PRI. If one PRI needs to handle optional information elements differently than another PRI, a separate name must be used.
MSGTYPE		ALERT, CONNECT, NOTIFY, PROGRESS, or SETUP	<i>Q.931 message type</i> Enter the Q931 message type to which the specific information elements and actions apply. Both NOTIFY and SETUP tuples can be required for certain functionality such as suppression of SL1 Primary Rate Interface (PRI) Calling Name.
MSGDIR		BOTH, IN, or OUT	<i>Q931 message direction</i> Enter the Q931 message direction for which the specific information elements and actions apply, as follows: <ul style="list-style-type: none"> • Enter BOTH for incoming and outgoing messages. • Enter IN for incoming messages only. • Enter OUT for outgoing messages only. <p>Note: Enter OUT if PROGRESS has been entered in the MSGTYPE field.</p>

ISDNPARM (continued)

Field descriptions (Sheet 2 of 3)

Field	Subfield	Entry	Explanation and action
DFLTACT		ATP, BLK, or MAP	<p><i>Default action</i></p> <p>This field contains the default action that applies to all optional information elements that are not explicitly listed in field PARMACT. Datafill this field as described below.</p> <ul style="list-style-type: none"> • Enter ATP to transport in an ISDN user part (ISUP) access transfer parameter (ATP). • Enter BLK to block (remove and ignore) node messages. • Enter MAP to map to a non-ATP ISUP message. <p>Note 1: If MAP is datafilled in this parameter and the message type is CONNECT, entries for CNS, PI, and LLC must be made in the PARMACT field.</p> <p>Note 2: If PROGRESS was entered in the MSGTYPE field, enter either BLK or MAP in this field. ATP is not a valid entry.</p> <p>Note 3: Entry ATP does not appear in the table when the DMS switch is used in certain markets.</p>
PARMACT		see subfields	<p><i>Parameter action</i></p> <p>This field consists of subfields PARM and ACTION. You can enter up to 20 multiples of fields PARM and ACTION.</p>

Field descriptions (Sheet 3 of 3)

Field	Subfield	Entry	Explanation and action
	<p>PARM (refer to the Default PARMNAME values on the following page)</p>	<p>CDS, CGS, CN, CNS, CSE, DIE, FAC, HLC, IRQ, LLC, OCN, PI, SH5, SH6, SH7, or UNK</p>	<p><i>Q931 parameter</i></p> <p>Enter the Q931 parameter that is modified. Each PARM field must have an associated ACTION field. The listed entries are the current information element values supported by the DMS-100 switch.</p> <p>Note 1: If the MSGTYPE field is datafilled with CONNECT and the DFLTACT field is datafilled with MAP, entries for CNS, PI, and LLC must be entered with an associated action of either ATP or BLK in the PARM and ACTION subfields.</p> <p>Note 2: If PROGRESS is entered in the MSGTYPE field, enter CSE in this field.</p>
	<p>ACTION</p>	<p>ATP, BLK, or MAP</p>	<p><i>Action</i></p> <p>This field contains the default action that applies to all optional information elements that are not explicitly listed in field PARMACT. Datafill this field as follows:</p> <ul style="list-style-type: none"> • Enter ATP to transport in an ISUP ATP • Enter BLK to block (remove and ignore) node messages. • Enter MAP to map to a non-ATP ISUP message <p>Note 1: The MAP option cannot be datafilled when the entry for the PARM subfield is CNS, PI, or LLC.</p> <p>Note 2: If PROGRESS was entered in the MSGTYPE field, enter either BLK or MAP in this field. ATP is not a valid entry.</p> <p>Note 3: Entry ATP does not appear in the table when the DMS switch is used in certain markets.</p>

Default PARMNAME values

The following table shows the values for the PARMNAME entries when the PARMNAME field in table TRKSGRP is set to default. If the default values are not used, the field references a tuple in table ISDNPARM.

Table TRKSGRP Default IE and optional data fill actions for table ISDNPARM SN06 load																		
IE	Setup		Notify		Alert		Connect		Disconnect		Release		Release Complete		User		Progress	
	In	Out	In	Out	In	Out	In	Out	In	Out	In	Out	In	Out	In	Out	In	Out
cds	blk	blk	*	*	*	*	*	*	*	*	*	*	*	*	*	*	*	*
cgs	blk	blk	*	*	*	*	*	*	*	*	*	*	*	*	*	*	*	*
sh4	map	map	*	*	*	*	*	*	*	*	*	*	*	*	*	*	*	*
sh5	map	map	*	*	*	*	*	*	*	*	*	*	*	*	*	*	*	*
sh6	map	map	*	*	*	*	*	*	*	*	*	*	*	*	*	*	*	*
sh7	blk	blk	*	*	Blk	Blk	blk	blk	blk	blk	blk	blk	blk	blk	blk	blk	blk	*
die (dsp)	blk	blk	blk	blk	*	*	*	*	*	*	*	*	*	*	*	*	*	*
fac	map	map	*	*	Map	Map	map	map	*	*	*	*	*	*	*	*	*	*
llc	blk	blk	*	*	*	*	blk	blk	*	*	*	*	*	*	*	*	*	*
hlc	blk	blk	*	*	*	*	*	*	*	*	*	*	*	*	*	*	*	*
ocn	map	map	*	*	*	*	*	*	*	*	*	*	*	*	*	*	*	*
rgn	map	map	map	map	*	*	*	*	*	*	*	*	*	*	*	*	*	*
unk	blk	blk	blk	blk	Blk	Blk	blk	blk	blk	blk	blk	blk	blk	blk	blk	blk	blk	blk
cn	*	*	map	map	*	*	blk	blk	blk	blk	blk	blk	blk	blk	*	*	*	*
irq	*	*	map	map	*	*	*	*	*	*	*	*	*	*	*	*	*	*
rnn	*	*	map	map	*	*	*	*	*	*	*	*	*	*	*	*	*	*
pi	*	*	*	*	*	*	blk	blk	*	*	*	*	*	*	*	*	*	*
cse	*	*	*	*	*	*	*	*	*	*	*	*	*	*	*	*	*	Map
	Optional ISDNPARM actions																	
	ATP or BLK																	
	MAP or ATP or BLK																	
Note #1	These entries indicate the ATP behavior for the "DEFAULT" entry in table trkgrp. All entries in white cannot be changed/ are not datafillable for the given load.																	
Note #2	*** The above values are specific to DTCL behavior. SPM behavior may be different.																	

Datafill examples

The following example shows sample datafill for table ISDNPARM. This example consists of one parameter name with four different message types.

MAP display example for table ISDNPARM

NAME	MSGTYPE	MSGDIR	DFLTACT	PARMACT
ETSI	SETUP	BOTH	MAP	HLC ATP CDS ATP CGS ATP LLC ATP \$
ETSI	NOTIFY	BOTH	BLK	\$
ETSI	ALERT	BOTH	BLK	\$
ETSI	CONNECT	BOTH	MAP	LLC ATP PI ATP CNS ATP
PROG_CSE	PROGRESS	OUT	BLK	CSE MAP

Table history**SN06 (DMS)**

Updated for SN06 (DMS) Standard release. Added default PARMNAME values table. CRQ00665623

EUR009

New PROGRESS message type added to the MSGTYPE field.

New parameter action type CSE added to the PARMACT field for the cause value information element.

EUR008

Connected Number Subaddress (CNS) option added to the PARM subfield.

Notes added to field descriptions to ensure that the LLC, PI, and CNS parameters override a default action of MAP.

CSP02

A sentence was added that both NOTIFY and SETUP tuples can be required in field MSGTYPE.

BCS34

Table ISDNPARM was introduced.

ISDNPROT

Table name

ISDN Protocol Variant Timer Table

Functional description

Table ISDNPROT holds timer interval data for primary rate interface (PRI) protocol variants. To access a location in the table, a two-part key is used. The key consists of the protocol variant (field PROTVAR) that defines the PRI protocol being used, and the changed protocol variant timer (field PVCAPPL) that specifies the set of timers to access. The timer interval values are passed to the extended multi-processor system (XMS)-based peripheral module (XPM) in a series of messages. The XPM receives all the information on protocol variant timer interval values, whether they are used by an XPM or not.

Datafill sequence and implications

There is no requirement to datafill other tables prior to table ISDNPROT.

Table size

2 to 8 tuples

Memory is statically allocated for eight tuples at initial program load (IPL).

The minimum size is obtained by assuming an XPM uses only one protocol. Only two tuples need to be downloaded, one for the user side and one for the network side.

The maximum size is obtained by assuming that an XPM uses all the protocol variants. In this case there are four protocol variants and two changed protocol variant timer applications. Therefore, the maximum number of tuples is eight (4×2).

ISDNPROT (continued)**Datafill**

The following table lists datafill for table ISDNPROT.

Field descriptions

Field	Subfield	Entry	Explanation and action
PROTVAR		AUSTPRI, ETSIPRI, EVN4PRI, INSPRI, N449PRI, NTM1PRI, NTNAPRI, NIPRI, QSIGPRI, U449PRI, or U459PRI	<i>Protocol variant</i> Enter a primary rate interface (PRI) protocol variant. Field PROTVAR depends on the PRI protocol variant software packages ordered by the operating company. The listed values consist of all the PRI variants supported by the DMS-100 switch. Refer to switch printout of table ranges for the particular switch in question before datafilling field PROTVAR.
PVCAPPL		NETTIMER or USRTIMER	<i>Changed protocol variant timer</i> Enter the changed protocol variant timer. Enter NETTIMER to change the network timer. Enter USRTIMER to change the user timer. Each PRI protocol defines two sets of timers. This field identifies the timer that the operating company needs to change. Note: USRTIMER must be used if the protocol variant is QSIGPRI.
APPLDATA		PRITIMER	<i>Application data</i> Enter PRITIMER for the primary rate interface timer.
TMR_OPT		see subfields	<i>Timer options</i> This field consists of subfields TIMER_NAME and TIMER_VALUE. A maximum of 15 multiples of field TMR_OPT can be entered in table ISDNPROT. If less than 15 multiples are required, end the list with a \$ (dollar sign).

ISDNPROT (continued)**Field descriptions**

Field	Subfield	Entry	Explanation and action
	TIMER_NAME	T301, T302, T303, T304, T305, T306, T308, T309, T310, T313, T314, T316, T317, T321, T322, T323	<p><i>Timer names</i></p> <p>Enter the required PRI timer used with the selected protocol variant in table PROTVAR. This field stores the timer names. 16 timers are specified; all protocol variants use the same timer names.</p> <p>Note 1: Although 16 timers are specified, some of the protocol variants use a subset of these timers. Unused timers are set to 0 (zero) at initialization time. The operating company has access to the unused timers, but any change made to the unused timers for a particular protocol variant has no effect on call processing for that variant.</p> <p>Note 2: Protocol variant QSIGPRI uses all timers except T306, T317, and T323.</p> <p>The central control (CC) of the DMS-100E switch stores the default values for all timers. At initialization, the CC checks which PRI software packages are loaded. The CC loads table ISDNPROT with the default timer interval values for all the PRI protocol variants used on the switch. If packages for Japan PRI and North American PRI are loaded, default timer interval values for these protocol variants (for both user and network side) are loaded in table ISDNPROT.</p>

ISDNPROT (continued)**Field descriptions**

Field	Subfield	Entry	Explanation and action
			<p>Note 1: Timer T323 is used when the B-channel availability feature is activated in table LTDATA. T323 is started when a B-channel availability SERV message is sent, and reset when a SERV ACK message is received. If T323 times out, the network side resends the SERV message once. T323 has a range of 30 to 120 seconds in 10 second intervals, set by a stored integer value. The default value is 12, which is equivalent to the maximum time, 120 seconds. B-channel availability is activated in table LTDATA by field NO_BCH_SERV.</p> <p>Note 2: Timer T323 can be added only as a network timer for the NI-2 protocol variant.</p> <p>Note 3: Timer T314 can be used for the QSIG PRI protocol variant. The default value is set to 4 seconds. The value range is 4 to 6 seconds. T314 prevents the message reassembly function in the DMS-100E switch from waiting indefinitely for the next segment of a segmented message from the sending switch or PBX. The DMS-100E switch starts or restarts T314 when it receives a non-final SEGMENT message from the D-channel. If T314 times out, all the SEGMENT messages that relate to the affected reassembly process are discarded, and the DMS-100E switch generates an ISDN log.</p>
	TIMER_VALUE	0 to 1023	<p><i>Timer value</i></p> <p>Enter the required timer value. The timer interval value is specified in seconds.</p>

Datafill example

The following example shows sample datafill for table ISDNPROT.

The following example consists of a NETTIMER on INSPRI with three multiples of timer options.

ISDNPROT (continued)**MAP display example for table ISDNPROT (INSPRI)**

```

PROTVAR   PVCAPPL                               APPLDATA
-----
INSPRI NETTIMER PRITIMER (T301 109) (T310 15) (T314 4) $

```

On initialization, the timer interval values loaded into the XPM are default values. To alter a timer value that has not previously been altered, the operating company must first position on table ISDNPROT.

The following example consists of a USRTIMER on QSIGPRI with three multiples of timer options.

MAP display example for table ISDNPROT (QSIGPRI)

```

PROTVAR   PVCAPPL                               APPLDATA
-----
QSIGPRI USRTIMER PRITIMER (T301 109) (T310 15) (T315 4) $

```

The following table lists the default timer values for QSIGPRI:

QSIGPRI associated timers

Timer	Value in seconds	Start cause
T301	180	On receiving ALERTING
T302	10	On sending SETUP ACKNOWLEDGE; restarted on receipt of INFORMATION message
T303	4	On sending SETUP
T303	2.5	On resending SETUP

ISDNPROT (continued)**QSIGPRI associated timers**

Timer	Value in seconds	Start cause
T304	30	On receipt of SETUP ACK. Retransmission of INFORMATION restarts T304
T305	30	On network sending DISCONNECT
T308	4	On sending RELEASE
T309	90	On SCM Disconnection. Calls in stable states are not lost.
T310	60	On receiving CALL PROCEEDING
T313	4	On sending CONNECT (user only)
T314	4	On receiving a SEGMENT
T316	120	On sending RESTART
T322	4	On STATUS ENQUIRY sent

Timer errors

The following error messages can be incurred when datatfilling T323 for NI-2:

- Addition of Timer T323 with protocol variant other than NI-2.

TIMER 323 CAN BE PROVISIONED ONLY FOR NI-2PRI

- Addition of Timer T323 as a user timer with protocol variant of NI-2.

TIMER 323 CAN BE PROVISIONED ONLY FOR NI-2PRI

ISDNPROT (end)

- Addition of Timer T323 with a timeout value more than the maximum.

INVALID TIMER T323: TIMER T323 MUST BE LESS THAN OR EQUAL TO 180 SEC

- Addition of Timer T323 with a timeout value of 0 restores the default time setting.

RESTORING DEFAULT TIMER VALUE

Table history**EUR010**

Table ISDNPROT is modified to detail changes in the application of T314.

EUR008

Table ISDNPROT is modified to include option value EVN4PRI as a valid entry in field PROTVAR.

NA008

Table ISDNPROT was modified to include T323 as a valid entry in field TIMER_NAME with an explanation.

EUR006

New protocol variant, QSIGPRI is added to the first part of the key field PROTVAR and USRTIMER is specified as the only setting for the second part of the key field PVCAPPL.

BCS36

Field PRITIMER was removed and joined with field APPLDATA.

BCS34

Table ISDNPROT was introduced.

ISERVOPT

Table name

International Service Option

Functional description

Operating company personnel use table ISERVOPT to configure switch information for service-related features. This table groups multiple related pieces of data in a single entry.

Each service that uses this table provides a subfield related to that service. Each subfield asks for information in a format relevant to the service. This table accepts an entry if operating company personnel enter a service that is in the load.

Each tuple in table ISERVOPT puts related office parameters in a group. The tuple shows the association between the office parameters.

Note: Services Push-Button Music On Hold (PBMOH) and Ring Again (RAG) are available in North American (SN) releases. The other features are for international (ISN) releases only.

Datafill sequence and meaning

Enter datafill in table IBNXLA before activating the Call Forward to Announcement (CFTANN)/Call Forward to Operator (CFO) option.

Enter the translator name in table XLANAME before entering the same data in table ISERVOPT for CFO_XLA and CFTAN_XLA.

There is no requirement to datafill tables in a specific order for the implementation of the CCBS (Call Completion to Busy Subscriber) activity.

Table size

Up to 100 tuples

ISERVOPT (continued)**Datafill**

The following table lists datafill for table ISERVOPT.

Field descriptions

Field	Subfield	Entry	Explanation and action
SOPTSKEY		alphanumeric string	Service Options Key. This field contains the feature name. The string accepts only feature names that are part of the software load.
SOPTSVAR		alphanumeric string	<p>Service Options Variable. This field contains subfields to control switch-wide performance of the feature.</p> <p>Enter data for each selected option and related subfields.</p> <p>Possible entries for field SOPTSVAR are: ACBAR_TLR, ACCTCODE, ACRJ, AR, CCBS, CEPT_CFX, CFO_XLA, CFTAN_XLA, CND, CNDDISP, CRSP, ECMDNFMT, FNT, ICONF, ICT, ILRCLS, INTNI1, ISUPUTR, IWUC, MCTBYDP2, MCTVAR, MODDN, MONA, NOCOLL, PBMOH, PDDCHANG, PPRIOUTP, RAG, RCODE, RCTL, REVCSE, RMV04ALL, SCRNDN, SFICHK, SLEOPT, UTRCHK, VERDDN and VMLON.</p>
		FNT	This field provides a way to configure the switch behavior either to suppress the Answer message or to send a No-charge indication to the originating switch. The default value is OFF.
		CRSP, RAG, or NOCOLL	This field provides a way to disable the feature without removing the option from all the affected lines. The default value of this is ON.

ISERVOPT (continued)**Field descriptions**

Field	Subfield	Entry	Explanation and action
	SUPANSTR	ON or OFF	This field provides a way to configure the switch behavior either to suppress the Answer message or to send a No-charge indication to the originating switch. The default value is OFF.
	STATE	ON or OFF	This field provides a way to disable the NOCOLL feature without removing the option from all the affected lines. The default value of this is ON.

KEY = ACBAR_TLR

If the entry in field SOPTSKEY is ACBAR_TLR (TLR CLASS ACB/AR functionality), the BRILINE and SOPTSVAR fields contain the following subfields.

Field descriptions for conditional datafill

Field	Subfield	Entry	Explanation and action
BRILINE		ACCEPT, DENY	Set BRILINE to ACCEPT for the calling party to activate ACB to a given BRI line. Set BRILINE to DENY to attempt a BRI line result in long term denial.
SOPTSVAR	OPTION	ACBAR_TLR	
	ACBAR_TLR	Y or N	ACBAR_TLR controls activation of the TLR CLASS ACB/AR functionality. When ACBAR_TLR is set to N, the TLR CLASS ACB/AR feature functionality has no impact. When ACBAR_TLR is set to Y, the TLR CLASS ACB/AR feature functionality is activated. The default is N.

ISERVOPT (continued)**KEY = ACRJ**

If the entry in field SOPTSKEY is ACRJ (Anonymous Call Rejection), the SOPTSVAR field contains the following subfields.

Field descriptions for conditional datafill

Field	Subfield	Entry	Explanation and action
SOPTSKEY		ACRJ	
SOPTSVAR	OPTION	ACRJ	
	CHKCAUSE	Y or N	Check Cause. This field determines if the ACRJ feature checks the cause of no information in the caller identification. If the cause is "user_requested", the feature does not reject the anonymous caller. For Japan, enter Y, otherwise enter N.
	ACRJ_CRG	JPN or OFF	Call charge option. Enter JPN for Japan market activation. Enter OFF (the default value) to deactivate the feature.

KEY = AR

If the entry in field SOPTSKEY is AR (Automatic Recall), the SOPTSVAR field contains the following subfields.

Field descriptions for conditional datafill

Field	Subfield	Entry	Explanation and action
SOPTSKEY		AR	
SOPTSKEY	OPTION	AR	Automatic Recall. Enter AR to activate the AR option.
SOPTSVAR	CALLQ	OFF, ON, or no datafill	Call queueing. When the terminating line is busy, setting the option to OFF applies busy treatment. When the terminating line is busy, setting the option to ON, or entering no datafill, automatically puts the caller into a queue and then informs the caller, by a special ring, when the dialed line becomes free.

ISERVOPT (continued)**Field descriptions for conditional datafill**

Field	Subfield	Entry	Explanation and action
	ARVAR	0, 1, or 2	<p>AR Variant. This field determines the variant of AR in use. The functionalities that vary according to this value are:</p> <ul style="list-style-type: none"> • AR Busy Call Queueing protocol • Blocking of AR calls to Private Numbers • AR Last Number Announcement • Last Caller ID Disabling • Language-specific announcements • AR support for generic numbers • Restricting AR by Nature of Address and Numbering Plan <p>Enter 0 for Australia, 1 for Europe or 2 for Japan.</p>
	ACTDIG	0 to 9	<p>This subfield captures the digit used for AR recall activation. The default ACTDIG values are 1 for CEU (except UK) and ABSM, and 3 for ABSK and UK.</p>
	PRIVBLK	NOBLK, ALL, or CARSCRN	<p>This subfield indicates whether blockage of AR recall calls to Private DNs can occur. This subfield is a mirror of the AR_BLOCK_PRIVATE_CTX office parameter, as they both control the same behavior and always have identical values.</p> <p>For Japan and Europe, enter ALL. Otherwise, enter NOBLK.</p>
	DACTOPT	Y or N	
	CANCDIG	0 to 9	<p>When DACTOPT is datafilled as Y, DACTOPT prompts for datafill in the CANCDIG subfield.</p>

ISERVOPT (continued)**KEY = CCBS**

If the entry in field SOPTSKEY is CCBS, the SOPTSVAR field contains the following subfields.

Field descriptions for conditional datafill

Field	Subfield	Entry	Explanation and action
SOPTSKEY		CCBS	
SOPTSVAR	OPTION	CCBS	
	DISTINCT_ RECALL_ RING	Y, N	<p>Distinctive Recall Ringing:</p> <p>This field specifies whether the distinctive recall ringing service is available.</p> <p>A value of 'Y' indicates that the Distinctive Recall Ringing is activated. A value of 'N' indicates that the Distinctive Recall Ringing is deactivated, resulting in the CCBS recall appearing like a normal call.</p>
	SINGLE_ DIGIT_ AND_ANN	Y, N	<p>Single Digit Activation and Announcements:</p> <p>This field specifies whether the single digit activation <i>and</i> announcements service is available.</p> <p>A value of 'Y' indicates that the Single Digit Activation and Announcements is activated. When set to 'Y', the additional field DIGIT has to be datafilled.</p> <p>A value of 'N' indicates that the Single Digit Activation and Announcements is deactivated.</p>
	DIGIT	0-9	<p>Digit:</p> <p>Specifies which digit has to be dialed for the single digit activation and announcements service to become available (see subfield SINGLE_DIGIT_AND_ANN).</p>

ISERVOPT (continued)

Distinctive recall ringing

This aspect of CCBS operation applies to MMP lines only, and not to Succession lines.

CCBS recall ringing pattern is similar to the Ring AGain (RAG) service V5.2 support, that is, `fr_dist_ringing_04`. Only the ringing can be switched *on* or *off*, the ringing pattern cannot be changed.

- For IBN lines

The ringing pattern for the CCBS recall (when the destination user becomes free and the originator is rung back) may be different to the regular ringing pattern as applied for normal calls. This change is dependent on the datafill of table ISERVOPT.

- For EBS lines

To indicate the CCBS recall for EBS sets, the lamp for the CCBS key on the handset will change from solid to blinking. This facility is additional to the distinctive ringing pattern. This change is dependent of the datafill of table ISERVOPT.

Activation - SINGLE_DIGIT_AND_ANN = Y

CCBS can be activated by pressing the the number associated with DIGIT during a CCBSACT announcement (the announcement will stop) or afterwards within a specified period of time (20 seconds). After this timer expires the calling CCBS user hears the busy tone and CCBS activation is no longer possible.

Activation - SINGLE_DIGIT_AND_ANN = N

When single digit activation is not enabled, the method of activation varies for Bellcore and CEPT operation.

- for Bellcore, the user activates CCBS by first performing Hook-Flash (typically using the 'R' button). A special tone is applied. The user then selects key sequence *37
- for CEPT, the user activates CCBS with key sequence *37#

Note: 37 is a commonly used code for CCBS activation and deactivation, but it is not mandatory. This code is datafilled in translations.

ISERVOPT (continued)

Deactivation

The method of deactivation varies for Bellcore and CEPT operation.

- for Bellcore, the user deactivates CCBS by first performing Hook-Flash (typically using the 'R' button). A special tone is applied. The user then selects key sequence #37
- for CEPT, CCBS is deactivated with key sequence #37#

Interrogation

For CEPT operation only, it is possible to interrogate CCBS to see if there are any pending CCBS requests. Interrogation is activated with key sequence *#37#

Announcements

If SINGLE_DIGIT_AND_ANN = Y, the following announcements are made during CCBS operation:

- CCBSACT:

“The user you called is busy. For CCBS activation press digit 5.”

This announcement is made when the caller connects to a busy subscriber. The digit can be pressed during the announcement (the announcement will stop) or within a period of 20 seconds after. After this timer expires, the caller hears the busy tone and CCBS activation is no longer possible.

- CCBSCONFIRM:

“Your order was successful”

- CCBSHORTDENY:

“Your order is not possible now”

- CCBSLONGDENY:

“Your order is not possible”

- CCBSINTERON:

“You have pending CCBS requests”

This announcement applies to CCBS interrogation for CEPT only.

- CCBSINTEROFF:

“You do not have pending CCBS requests”

This announcement applies to CCBS interrogation for CEPT only.

ISERVOPT (continued)**Tones**

If SINGLE_DIGIT_AND_ANN = N, the following tones are generated during CCBS operation:

- CCBSACT: User busy tone when reaching busy destination.
- CCBSCONFIRM: Positive acknowledge tone.
- CCBSHORTDENY: Negative acknowledge tone.
- CCBSLONGDENY: Negative acknowledge tone.
- CCBSINTERON: Positive acknowledge tone.

This tone instance applies to CCBS interrogation for CEPT only.

- CCBSINTEROFF: Negative acknowledge tone.

This tone instance applies to CCBS interrogation for CEPT only.

If a user calls a busy destination and already has an active CCBS request, no announcement will be played because a user can only have one request. The user will hear a busy tone even when announcements are datafilled to be played.

KEY = CEPT_CFX

If the entry in field SOPTSKEY is CEPT_CFX, the SOPTSVAR field contains the following subfields.

Field descriptions for conditional datafill

Field	Subfield	Entry	Explanation and action
SOPTSKEY		CEPT_CFX	
SOPTSVAR	OPTION	CEPT_CFX	The option field

ISERVOPT (continued)**Field descriptions for conditional datafill**

Field	Subfield	Entry	Explanation and action
	OPTIONAL_ HASH	Y,N	<p>Optional Hash.</p> <p>This field is used for allowing the last hash (#) digit in the CEPT dialing sequence to be optional.</p> <p>Enter 'Y' (Yes) to indicate that the # is optional.</p> <p>Enter 'N' (No) to make the use of the last # mandatory.</p> <p>If this field is not datafilled, the default will be interpreted as 'N'.</p> <p>This field should be set to 'Y' for the Papua New Guinea market.</p>
	FROM_RANGE	integer in the range: 0 - 18	<p>From Range.</p> <p>Indicates the start of the forward directory number digit range.</p> <p>If this field is not datafilled, there will be no digit range check.</p> <p>This field should be set to '4' for the Papua New Guinea market.</p>
	TO_RANGE	integer in the range: 0 - 18	<p>To Range.</p> <p>Indicates the end of the forward directory number digit range.</p> <p>If this field is not datafilled, there will be no digit range check.</p> <p>This field should be set to '15' for the Papua New Guinea market.</p>

ISERVOPT (continued)**Field descriptions for conditional datafill**

Field	Subfield	Entry	Explanation and action
	PRG_ OVERRIDE	Y,N	<p>Programme override.</p> <p>This field allows reactivation of CEPT Call Forwarding to be programmed.</p> <p>Enter 'Y' to allow reactivation of CEPT Call Forwarding by programming a forward directory number. Deactivation is not required beforehand.</p> <p>If this field is not datafilled, the default will be interpreted as 'Y'.</p> <p>Enter 'N' to ensure that the user cannot override activation.</p>
	ACTIVATE_ WITHOUT_ PRG	Y,N	<p>Activate without programming.</p> <p>This field is used to cause activation of the feature without programming a forward directory number.</p> <p>Enter 'Y' to activate CEPT Call Forwarding. Activation without number programming can be done via a control procedure.</p> <p>Enter 'N' to disable CEPT Call Forwarding, meaning activation without programming is not permitted.</p> <p>This field should be set to 'N' for the Papua New Guinea market.</p>
	ISUP_ RESTRICTION	Y,N	<p>ISUP restriction.</p> <p>This field is used for diversion restriction from ISUP trunks.</p> <p>Enter 'Y' to allow diversion restriction from ISUP trunks.</p> <p>Enter 'N' to disable diversion restriction from ISUP trunks.</p>

ISERVOPT (continued)**Field descriptions for conditional datafill**

Field	Subfield	Entry	Explanation and action
	CDND_BSY_ TRTMT_SUPP	Y,N	<p>CDND Busy Treatment Supplementary:</p> <p>Specifies if the CDND option is assigned.</p> <p>If a call is terminating on a line with active CDND and the announcement code is not in data schema table CDANNS, the subscriber will receive either a busy treatment tone (CEPT version) or a NACK tone (Papua New Guinea market).</p> <p>A value of 'Y' indicates that the CDND option is assigned.</p> <p>A value of 'N' indicates that the active CDND feature is not assigned to the subscriber when "00" key does not exist in data schema table CDANNS, but the inactive CDND feature can be assigned to the subscriber in this state.</p> <p>Note: The administrator is not allowed to assign the CDND option in an active state to a subscriber in the Papua New Guinea (PNG) market if the "00" key does not exist in data schema table CDANNS. Therefore this boolean will always be set to 'N' for the PNG market.</p>

KEY = CFO_XLA

If the entry in field SOPTSKEY is CFO_XLA, the SOPTSVAR field contains the following subfields.

Field descriptions for conditional datafill

Field	Subfield	Entry	Explanation and action
SOPTSKEY		CFO_XLA	
SOPTSVAR	OPTION	CFO_XLA	
	CFO_XLA_ NAME	IBN_XLA_ NAME	Call Forward to Operator Translator. This field specifies the CFO translator name for routing through normal translation tables.

ISERVOPT (continued)**KEY = CFTAN_XLA**

If the entry in field SOPTSKEY is CFTAN_XLA, the SOPTSVAR field contains the following subfields.

Field descriptions for conditional datafill

Field	Subfield	Entry	Explanation and action
SOPTSKEY		CFTAN_XLA	
SOPTSVAR	OPTION	CFTAN_XLA	
	CFTAN_XLA_ NAME	IBN_XLA_ NAME	Call Forward to Announcement Translator. This field specifies the CFTANN translator name for routing through normal translation tables.

KEY = CFWON

If the entry in field SOPTSKEY is CFWON (TLR CFW functionalities), the SOPTSVAR field contains the following subfields.

Field descriptions for conditional datafill

Field	Subfield	Entry	Explanation and action
SOPTSKEY		CFWON	Short Interdigit Timing
SOPTSVAR	OPTION		
	RCNTACT	Y or N	Redirect Count Timing Active. This field determines if the TLR CFW redirection count option is active. The default is N
	AMAON	Y or N	Automatic Message Accounting Active. This field determines if the TLR CFW AMA option is active. The default is N
	TRMNT	Y or N	This field determines if the TLR CFWV to NACK for call forward double activation is active. The default is N

ISERVOPT (continued)**KEY = CND**

If the entry in field SOPTSKEY is CND (Calling Number Delivery), the SOPTSVAR field contains the following subfields.

Field descriptions for conditional datafill

Field	Subfield	Entry	Explanation and action
SOPTSKEY		CND	
SOPTSVAR	OPTION	CND	Calling number delivery
	RNGSPLSH	rs5-rs45	Ring splash timer. Operating company personnel use this field to enter the required duration of ring splash in units of ten milliseconds.
	CND_LANG	DEFAULT, TURKISH	This field defines the language of choice for the CND exception messages.
	ASK_STATUS	Y or N	This field toggles CND status prompting.
	VARIANT	BELLCORE, ETSI, or NTT	Calling number delivery variable. Operating company personnel use this parameter to control the message format and signaling protocol for the CND feature.
	ACCESS_CODE	Y or N	Access code. Enter Y or N to indicate if access code is to be activated. This parameter is only available for variants ETSI and BELLCORE.

KEY = CNDDISP

If the entry in field SOPTSKEY is CNDDISP (Calling Number Delivery Display), the SOPTSVAR field contains the following subfields.

Field descriptions for conditional datafill

Field	Subfield	Entry	Explanation and action
SOPTSKEY		CNDDISP	
SOPTSVAR	OPTION	CNDDISP	Calling number delivery.

ISERVOPT (continued)**Field descriptions for conditional datafill**

Field	Subfield	Entry	Explanation and action
	CLIDOPT	Y or N	CLIDOPT controls whether to fill up the DN parameter or send a 0 or a P to the display. CLIDOPT also enables a check of the network and TCAP option before the number is displayed. If CLIDOPT is set to Y and the calling number is available, the digits are displayed. If CLIDOPT is set to N, TCAP options are checked in table CUSTSTN. For Australia, enter Y, otherwise enter N.

KEY = CRSP

If the entry in field SOPTSKEY is CRSP (change ring shift pattern), the SOPTSVAR field contains the following subfields.

Field descriptions for conditional datafill

Field	Subfield	Entry	Explanation and action
SOPTSKEY		CRSP	
SOPTSVAR	OPTION	CRSP	
	CRSP	Y or N	Change Ring Shift Pattern. This field determines if the switch modifies the ring shift pattern on Meridian Business Set (MBS) conference calls. For Australia, enter Y, otherwise enter N.

KEY = FNT

If the entry in field SOPTSKEY is FNT (Free Number Termination), the SOPTSVAR field contains the following subfields.

Field descriptions for conditional datafill

Field	Subfield	Entry	Explanation and action
SOPTSKEY	FNT		
SOPTSVAR	OPTION	FNT	This field provides a way to configure the switch behavior either to suppress the answer message or to send a No-charge indication to the originating switch. The default value is OFF.

ISERVOPT (continued)**KEY = FTRACT**

If the entry in field SOPTSKEY FTRACT, the SOPTSVAR field contains the following subfields.

Field descriptions for conditional datafill

Field	Subfield	Entry	Explanation and action
SOPTSKEY	FTRACT		
SOPTSVAR	OPTION	FTRACT	
	ASSIGN, DEASSIGN, ADMACT, ADMDEACT, ADMPROG, SUBACT, SUBDEACT, SUBPROG, USAGE, INTERROG	00 to 99	The corresponding entry is published in MTR156 log for the related feature.

KEY = ICONF

If the entry in field SOPTSKEY is ICONF (International Conference), the SOPTSVAR field contains the following subfields.

Field descriptions for conditional datafill

Field	Subfield	Entry	Explanation and action
SOPTSKEY		ICONF	
SOPTSVAR	OPTION	ICONF	

ISERVOPT (continued)**Field descriptions for conditional datafill**

Field	Subfield	Entry	Explanation and action
	ALLOW_ICT_ IN_I3WC	Y,N	<p>Allow International Call Transfer (ICT) in I3WC:</p> <p>Offers a choice to whether ICT will be included in CEPT I3WC option or not, for the Papua New Guinea (PNG) market. Call transfer is included in I3WC option for PNG market. But in CEPT version, there is a separate ICT option to handle call transfer functionality.</p> <p>Enter 'Y' to allow ICT in I3WC. This means that the call transfer is a default in CEPT I3WC and there is no need for a separate call transfer option. But if the ICT option is also assigned, call transfer will work.</p> <p>Enter 'N' to disallow ICT in I3WC. This means that the subscriber who has I3WC option can't transfer the call until it has a separate ICT option.</p> <p>This field is mandatory.</p>
	CLF_FLASH_ IGNORE	Y,N	<p>Offers a choice to whether Calling Line Identity by Flash (CLF) will be ignored or not, during CLF and ENQ/I3WC interactions for the Papua New Guinea (PNG) market. A PNG I3WC/ENQ subscriber can't flash during a call with a CLF terminator subscriber.</p> <p>Enter 'Y' causes the controller's flash to be ignored. This means that a CEPT ENQ/I3WC subscriber can't flash during a call with a CLF subscriber. Also, if the second leg destination is a CLF subscriber, the call will be rejected.</p> <p>Enter 'N' to accept Flash during CLF and ENQ/I3WC interactions. This means that a CLF feature is allowed during an enquiry or conference call.</p> <p>This field is mandatory.</p>

ISERVOPT (continued)

KEY = ICT

If the entry in field SOPTSKEY is ICT (International Call Transfer), the SOPTSVAR field contains the following subfields.

Field descriptions for conditional datafill

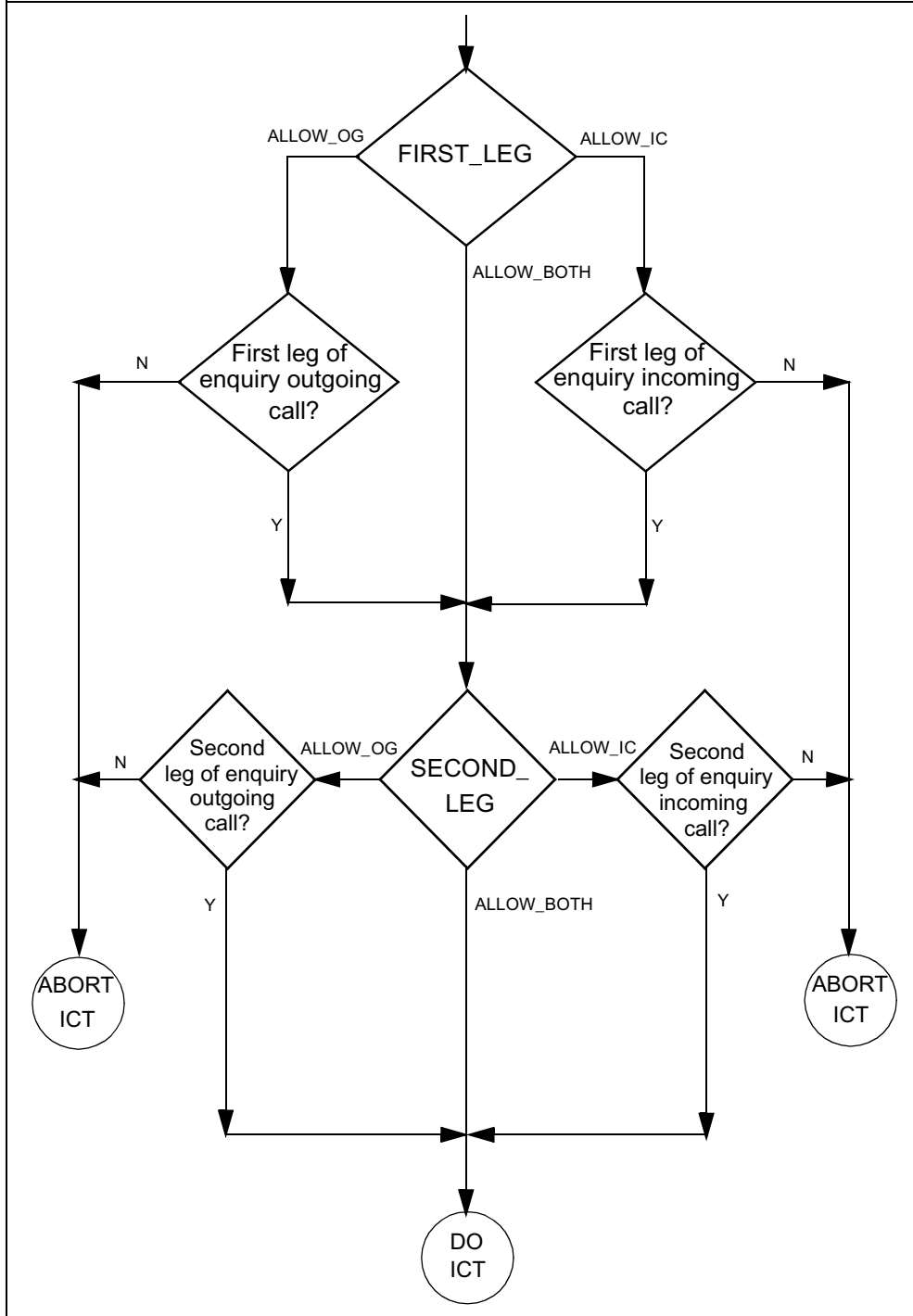
Field	Subfield	Entry	Explanation and action
SOPTSKEY		ICT	
SOPTSVAR	OPTION	ICT	

ISERVOPT (continued)**Field descriptions for conditional datafill**

Field	Subfield	Entry	Explanation and action
	FIRST_LEG	ALLOW_IC ALLOW_OG ALLOW_ BOTH	<p>This field allows call transfer by checking, if first leg is incoming to the controller or outgoing from the controller (see the following flow diagram).</p> <p>Call transfer for Papua New Guinea (PNG) is only allowed, if the controller is the terminator in the first leg of enquiry. But in the CEPT version, the calls should be terminating or originating from the controller.</p> <p>When the FIRST_LEG field is datafilled as ALLOW_IC; the first leg of the enquiry call will be checked; if the controller is the terminator in this call, it means that call transfer will be allowed for this leg. Then the SECOND_LEG field is checked in the same way.</p> <p>This field is mandatory.</p>
	SECOND_LEG	ALLOW_IC ALLOW_OG ALLOW_ BOTH	<p>This field allows call transfer by checking if the second leg is an incoming call to the controller or an outgoing call from the controller (see the following flow diagram).</p> <p>When the SECOND_LEG field is datafilled as ALLOW_OG; the second leg of the enquiry call will be checked; if the controller is the originator in this call, it means that call transfer will be allowed for this leg.</p> <p>When the SECOND_LEG field is datafilled as ALLOW_BOTH; the controller can be the originator or terminator in the second leg.</p> <p>The SECOND_LEG field can also be datafilled as ALLOW_IC.</p> <p>This field is mandatory.</p>

ISERVOPT (continued)

Flow diagram for FIRST_LEG and SECOND LEG fields



ISERVOPT (continued)**KEY = ILRCLS**

If the entry in field SOPTSKEY is ILRCLS (International Line Restriction Classes), the SOPTSVAR field contains the following subfields.

Field descriptions for conditional datafill

Field	Subfield	Entry	Explanation and action
SOPTSKEY		ILRCLS	
SOPTSVAR	OPTION	ILRCLS	
	ILR_PROG	Y,N	International Line Restriction Programmable: This boolean indicates whether a restriction class (see ILRCLASS) could be programmed by the subscriber or not. Enter "Y" for YES and "N" for NO. The Papua New Guinea (PNG) market does not support the subscriber programming part of a restriction class. Therefore this boolean is datafilled as "N" for the PNG market.
	ILRCLASS	DABE, DNID, DIDD, DNI, DAI, DSSV, DANID, DABLE, DNIC, DAIC, DANI	Enter one of these restriction classes to this field. A class cannot be datafilled more than once to ILRCLASS field. If this is applied by an administrator, an error message 'Multiple ilr_class is not allowed for ilrclass tuple' is printed. Enter \$ to terminate.
	ILR_DIGIT	00 to 99 digits	Enter call restriction programming digits for each ILRCLASS that are valid to that market. A digit cannot be datafilled more than once to a restriction class, otherwise an error message 'Multiple digit is not allowed for ilr_digit tuple' is displayed.

ISERVOPT (continued)**KEY = ISUPUTR**

If the entry in field SOPTSKEY is ISUPUTR (ISUP Universal Tone Receiver), the SOPTSVAR option field contains the following subfields:

Field descriptions for conditional datafill

Field	Subfield	Entry	Explanation and action
SOPTSKEY		ISUPUTR	The 'UTR for digit collection' key in ISERVOPT
SOPTSVAR	OPTION	ISUPUTR	The ISERV option name
	ISUPUTRACT	Y,N	ISUP UTR active: Enter 'Y' to make available 'UTR for digit collection'. This should only be done if UTR is available for the ISUP and allowed in the market. Otherwise the loopback trunk for digit collection should be used. Enter 'N' to disable UTR being used for digit collection. Default value = 'N'.

KEY = IWUC

If the entry in field SOPTSKEY is IWUC (Wake Up Call), the SOPTSVAR option field contains the following subfields.

Field descriptions for conditional datafill

Field	Subfield	Entry	Explanation and action
SOPTSKEY		IWUC	The Wake Up Call key in ISERVOPT
SOPTSVAR	OPTION	IWUC	The ISERV option name
	NUMBER_OF_REQUEST	Symbolic number (one - ten)	Number of requests: Enter the number of requests (symbolic) that a subscriber can order at a time. The default is "five". For the Papua New Guinea market, its value is "one".

ISERVOPT (continued)**Field descriptions for conditional datafill**

Field	Subfield	Entry	Explanation and action
	OVERWRITE_ LAST	Y,N	<p>Overwrite the last request:</p> <p>Enter whether the last request is to be overwritten. If this boolean is set to true (Y) when a new request is ordered, and if the maximum NUMBER_OF_REQUEST was datafilled, the new request will be overwritten to the last request. Enter "N" to deny overwriting of requests.</p> <p>OVERWRITE_LAST can only be datafilled if NUMBER_OF_REQUEST was set to "ONE".</p> <p>For the Papua New Guinea market, its value is "Y".</p>
	MIN_AHEAD_ TIME	integer 1 - 30	<p>Minutes ahead of the current time:</p> <p>Enter a time period between the current time and the request time.</p> <p>For the Wake-up Call to operate, the time difference between the request time and the current time must be bigger than the value of this subfield.</p>

ISERVOPT (continued)**KEY = MCTBYDP2**

If the entry in field SOPTSKEY is MCTBYDP2 (MCT activation by DP2), the SOPTSVAR field contains the following subfields.

Field descriptions for conditional datafill

Field	Subfield	Entry	Explanation and action
SOPTSKEY	SOPTNAME	MCTBYDP2	MCT activation by DP2 digit on DP phones.
SOPTSVAR	OPTION	MCTBYDP2	MCT (Malicious Call Trace) or CLF (Calling Line Identification with Flash) allows IBN line agents to activate a trace on incoming calls for the purpose of malicious caller identification. This option enhances MCT by enabling identification of malicious call originators on DP IBN phone sets. Dialpulse digit 2 is dialed if the line has both CEPT & CLF line options, MCTVAR is EMCT and MCTBYDP2 is set to 'Y'.
	MCTBYDP2	Y or N	If MCTBYDP2 = Y, MCT activation by DP2 digit is enabled on DP phone sets (in this case, MCT activation can also be done by double flashing instead of DP2 but not both flash and digit). If MCTBYDP2 =N, MCT activation by DP2 digit on DP phone sets is disabled and only double flash can be used to activate the MCT feature.

KEY = MCTVAR

If the entry in field SOPTSKEY is MCTVAR (Malicious Call Trace Variant), the SOPTSVAR field contains the following subfields.

Field descriptions for conditional datafill

Field	Subfield	Entry	Explanation and action
SOPTSKEY		MCTVAR	
SOPTSVAR	OPTION	MCTVAR	
	VARIANT	STD	STD enables standard malicious call trace functionality. This is the default value.

ISERVOPT (continued)**Field descriptions for conditional datafill**

Field	Subfield	Entry	Explanation and action
		EMCT	EMCT enables ETSI malicious call trace for analog lines.
		TLRMCT	TLRMCT enables Telrad malicious call trace functionality.

KEY = MODDN

If the entry in field SOPTSKEY is MODDN (Modify DN), the SOPTSVAR field contains the following subfields.

Field descriptions for conditional datafill

Field	Subfield	Entry	Explanation and action
SOPTSKEY		MODDN	
SOPTSVAR	OPTION	MODDN	
	MODDNOK	Y or N	MODDNOK controls the length of the input DN. It sets it to 10 digits in length. If MODDNOK is set to Y and the number of digits of the DN is greater than 10, the leading digits are removed to make the DN 10 digits long. If MODDNOK is set to N and the number of digits is greater than 10, no check is performed and leading digits are not removed. For DNs with fewer than 10 digits or with exactly 10 digits, no modification of the digits is performed.

KEY = MONA

If the entry in field SOPTSKEY is MONA (Meridian Off-Net Access), the SOPTSVAR field contains the following subfields.

Field descriptions for conditional datafill

Field	Subfield	Entry	Explanation and action
SOPTSKEY		MONA	
SOPTSVAR	OPTION	MONA	

ISERVOPT (continued)**Field descriptions for conditional datafill**

Field	Subfield	Entry	Explanation and action
	ENDDIGIT	Y or N	End Digit. If the trunk is 3J and the last digit dialled is * or #, the switch reverses the meaning of these two characters. For Europe, enter Y, otherwise enter N.

KEY = OCBPROG

If the entry in field SOPTSKEY is OCBPROG (Outgoing Call Barring), the SOPTSVAR field contains the following subfields.

Field descriptions for conditional datafill

Field	Subfield	Entry	Explanation and action
SOPTSKEY		OCBPROG	
SOPTSVAR	OPTION	OCBPROG	
	BARRPROG	DABE, DNID, DIDD, DNI, DAI, DSSV, DANID, DABLE, DNIC, DAIC, DANI, NIL	Outgoing Call Barring Programmes. For each OCBPROG, enter the barring program(s) that are supported by the market.
	BARRDIGITS	00 to 99	Enter the Call Barring Programming Digits corresponding to each BARR_PROG.

KEY = PBMOH

If the entry in field SOPTSKEY is PBMOH (Push-Button Music On Hold), the SOPTSVAR field contains the following subfields.

Field descriptions for conditional datafill

Field	Subfield	Entry	Explanation and action
SOPTSKEY		PBMOH	

ISERVOPT (continued)**Field descriptions for conditional datafill**

Field	Subfield	Entry	Explanation and action
SOPTSVAR	OPTION	PBMOH	
	PBMOH_OK	Y or N	PBMOH Okay. This field determines if International Business Network (IBN) lines that use the Key Set Music On Hold (KSMOH) customer group option can have the Music On Hold option. For Japan, enter Y, otherwise enter N.

KEY = PDDCHANG

If the entry is field SOPTSKEY is PDDCHANG (Post Dial Delay Change), the SOPTSVAR field contains the following subfields.

Field descriptions for conditional datafill

Field	Subfield	Entry	Explanation and action
SOPTSKEY		PDDCHANG	
SOPTSVAR	OPTION	PDDCHANG	PDDCHANG controls EUR specific POST DIAL DELAY(PDD) being assigned to other markets.
	PDD_CLEANUP	Y or N	Y maintains European-specific PDD in the European market. N means that PDD is not affected in non-European markets.

KEY = PPRIOUTP

If the entry is field SOPTSKEY is PPRIOUTP (Real Outpulser Target Control), the SOPTSVAR field contains the following subfields.

Field descriptions for conditional datafill

Field	Subfield	Entry	Explanation and action
SOPTSKEY		PPRIOUTP	
SOPTSVAR	OPTION	PPRIOUTP	PPRIOUTP controls the real outpulser target to bound to different markets.
	PPRIOUTPOK	Y or N	Y initiates functionality for outpulser targets. Y must be set for Europe and Australia. N deactivates this functionality, and is the required value for Japan.

ISERVOPT (continued)**KEY = RAG**

If the entry in field SOPTSKEY is RAG (Single-digit activation of call back when free), the SOPTSVAR field contains the following subfields.

Field descriptions for conditional datafill

Field	Subfield	Entry	Explanation and action
SOPTSVAR		RAG	Service Options Variable. This field contains subfields to control switch-wide performance of the feature. Enter RAG and datafill subfields ANNC_CONF, SINGLE_DIGIT_RAG, RAG_DIGIT and ANNC_PROMPT.
	ANNC_CONF	Y or N	This controls the application of announcements on successful registration of RAG request. If set to Y, announcements or tones can be applied to indicate the successful registration of a RAG request. Table TMTCNTL, tuple RAGC must then be datafilled to provide the optionality. If set to N, only a confirmation tone is applied. Note: For international (ISN) releases, this field can be set to Y or N. For North American (SN) releases it must be set to N.
	SINGLE_DIGIT_RAG	Y or N	This controls the single digit activation of ring back when free. If set to Y, single digit activation of RAG is possible. If set to N, single digit activation of RAG is not possible.
	RAG_DIGIT	0 to 9	This field can be datafilled only if the SINGLE_DIGIT_RAG field is set to Y. This field can be datafilled with any digit in the range 0 to 9. The digit entered activates the RAG request.
	ANNC_PROMPT	Y or N	This determines whether announcements should be played to prompt for RAG activation.

ISERVOPT (continued)**KEY = RCODE**

If the entry in field SOPTSKEY is RCODE (Register Recall), the SOPTSVAR field contains the following subfields.

Field descriptions for conditional datafill

Field	Subfield	Entry	Explanation and action
SOPTSKEY		RCODE	Enter RCODE.
SOPTSVAR	OPTIONS	RCODE	Enter RCODE and datafill subfield RCODEX.
	RCODEX	RCODE0 RCODE1 RCODE2 RCODE3 RCODE4 RCODE5 RCODE6 RCODE7 RCODE8 RCODE9	RCODE provides the corresponding actions for defined R-codes. Enter the R-code, RCODE0 to RCODE9 after flash to perform the corresponding action.
	ACTIONS	DISC_ACT, DISC_HOLD, TOGGLE, XFER, CON_3WC, CON_6WC	The actions will terminate active call or holding call, toggling between legs, establishing call transfer, initiating three or six-way call.

KEY = RCTL

If the entry in field SOPTSKEY is RCTL (Ring Control), the SOPTSVAR field contains the following subfields.

Field descriptions for conditional datafill

Field	Subfield	Entry	Explanation and action
SOPTSKEY		RCTL	

ISERVOPT (continued)**Field descriptions for conditional datafill**

Field	Subfield	Entry	Explanation and action
SOPTSVAR	OPTION	RCTL	
	RCTLIBN	Y or N	Ring Control IBN. This field determines if Servord prompts for the RINGCTRL field of the Call Forward Don't Answer Variable Timer (CFDVT) Servord option. This Servord option allows the subscriber to specify the number of rings before the switch forwards the call. For Japan, enter Y, otherwise enter N.

KEY = REVCSE

If the entry in field SOPTSKEY is REVCSE, the SOPTSVAR field contains the following subfields.

Field descriptions for conditional datafill

Field	Subfield	Entry	Explanation and action
SOPTSKEY		REVCSE	
SOPTSVAR	OPTION	REVCSE	
	CASE	CASEC	Case C transfer mode. Allows the called user to request Reverse Charging for the entire call during the active phase of the call.
	DIGIT	nn	Case Programming digit, e.g. 01. Specifies the correct provisioning for the intended market. Enter one digit only.

KEY = SCRNDN

If the entry in field SOPTSKEY is SCRNDN, the SOPTSVAR field contains the following subfields.

Field descriptions for conditional datafill

Field	Subfield	Entry	Explanation and action
SOPTSKEY		SCRNDN	

ISERVOPT (continued)**Field descriptions for conditional datafill**

Field	Subfield	Entry	Explanation and action
SOPTSVAR	OPTION	SCRNDN	
	SCRNDNOK	Y or N	SCRNDNOK controls checking to be done on the digits used for Calling Number Displayed (CND) and Dialable Directory Number (DDN). If SCRNDNOK is set to Y, the DN is displayed if available, no other check is required. If SCRNDNOK is set to N, the network ID is checked before checking the availability of the DN. For Europe, the value of SCRNDNOK is Y. The value of SCRNDNOK in the Japan and Australia is N.

KEY = SFICHK

If the entry in field SOPTSKEY is SFICHK, the SOPTSVAR field contains the following subfields.

Field descriptions for conditional datafill

Field	Subfield	Entry	Explanation and action
SOPTSKEY		SFICHK	
SOPTSVAR	OPTION	SFICHK	
	SFICHKOK	CALL_FWD_FAX_TERMINATION, CHECK_FOR_CBWF_IFAM, or NONE	SFICHK controls call-forwarding control for No_Ring_Fax_Termination in NCCI ISUP (when the datafill for SFICHKOK subfield is CALL_FWD_FAX_TERMINATION) and CBWF for BTUP (when the datafill for SFICHKOK subfield is CHECK_FOR_CBWF_IFAM). The value of SFICHKOK in Japan is CALL_FWD_FAX_TERMINATION. The value for SFICHK OK in Europe is CHECK_FOR_CBWF_IFAM. The value for SFICHKOK in Australia is NONE.

ISERVOPT (continued)**KEY = SIDIGTON**

If the entry in field SOPTSKEY is SIDIGTON (Short Interdigit Timing), the SOPTSVAR field contains the following subfields.

Field descriptions for conditional datafill

Field	Subfield	Entry	Explanation and action
SOPTSKEY		SIDIGTON	Short Interdigit Timing
SOPTSVAR	OPTION	SITACT	
	SITACT	Y or N	Short Interdigit Timing Active. This field determines if the TLR Short Interdigit Timing option is active. If set to Y, there is no 10 second delay between digits dialed and the second dial tone for IBN lines with one of the following features: CFW, CWT, WML and SC. The default is N.

KEY = SLEOPT

If the entry in field SOPTSKEY is SLEOPT (SLE Optionality), the SOPTSVAR field contains the following subfields.

Field descriptions for conditional datafill

Field	Subfield	Entry	Explanation and action
SOPTSKEY		SLEOPT	
SOPTSVAR	OPTION	SLEOPT	SLE optionality
	PADDNON	Y or N	Subfield PADDNON controls whether to alter the directory number (DN) to meet a specific dial plan (7,8, 9, 10 dial plans). If PADDNON is set to Y, the DN is altered to meet the specifications of the respective dial plan. If PADDNON is set to N, no padding is allowed and only 7 and 10-digit dial plans are supported. For Australia, the value of PADDNON is Y to allow for the CLI to be padded with 1's, whereas the value of PADDNON in other loads is N to avoid adding extra 1's to the CLI.

ISERVOPT (continued)**Field descriptions for conditional datafill**

Field	Subfield	Entry	Explanation and action
	VBCHKON	Y or N	This subfield controls whether to give the markets the ability to alter the voice back count when a user enters a DN that is not in a 7 or 10-digit dial plan to a SLE list. If VBCHKON is set to Y, a check is performed on the number of digits to set the correct voice back count. If VBCHKON is set to N, only 7 and 10-digit dial plans are supported. For Australia, the value of VBCHKON is Y to allow alteration of the voice back count, whereas the value of VBCHKON in Japan and Europe is N, since these markets do not change the voice back count.
	ADDACON	Y or N	ADDACON adds the national access code to the unpadded directory number (DN) in the Belgian market to enable a dialable number to be voiced back.

KEY = TWCON

If the entry in field SOPTSKEY is TWCON (TLR Three Way Call), the SOPTSVAR field contains the following subfields.

Field descriptions for conditional datafill

Field	Subfield	Entry	Explanation and action
SOPTSKEY		TWCON	
SOPTSVAR	OPTION	TWCON	Three Way Call
	TWCACT	Y or N	Three Way Call Active. This field renames the TWC line option to the 3WC name for the Israel market. The default is N.
	HTON	Y or N	Holding Tone. This field determines if the holding tone in the 3WC feature is active. The default is N.

ISERVOPT (continued)**Field descriptions for conditional datafill**

Field	Subfield	Entry	Explanation and action
	CTR_RRNG	Y or N	Controller Re-Ring. This field determines if the 3WC controller gets re-ring, or if all legs of the call must be released. The default is N.
	SFLASH	Y or N	Single Flash Drop. This field determines if the single flash drop feature is active for 3WC. The default is N.

Note: Changing the TWCON fields to Y has impact only after executing a restart reload.

KEY = UTRCHK

If the entry in field SOPTSKEY is UTRCHK, the SOPTSVAR field contains the following subfields.

Field descriptions for conditional datafill

Field	Subfield	Entry	Explanation and action
SOPTSKEY		UTRCHK	
SOPTSVAR	OPTION	UTRCHK	
	UTRCHKOK	Y or N	UTRCHKOK controls whether the line being datafilled subtends an XPM that is both an XPM+ and has a CMR and UTR card datafilled. If UTRCHKOK is set to TRUE, the XPM is checked for a CMR or an UTR card datafilled. If UTRCHKOK is set to FALSE, the check is not performed. For Europe and Australia, the value of UTRCHKOK is Y. In Japan, the value is N.

KEY = VERDDN

If the entry in field SOPTSKEY is VERDDN (Verify Digit Length), the SOPTSVAR field contains the following subfields.

Field descriptions for conditional datafill

Field	Subfield	Entry	Explanation and action
SOPTSKEY		VERDDN	

ISERVOPT (continued)**Field descriptions for conditional datafill**

Field	Subfield	Entry	Explanation and action
SOPTSVAR	OPTION	VERDDN	
	VERDDN	Y or N	VERDDN controls digit length verification. When VERDDN is set to N, no digit length verification is done in table REVXLA. When VERDDN is set to Y, a warning message is printed if a CLI of more than 10 digits is used in REVXLA.

KEY = VMLON

If the entry in field SOPTSKEY is VMLON (Israeli Voice Mail), the SOPTSVAR field contains the following subfields.

Field descriptions for conditional datafill

Field	Subfield	Entry	Explanation and action
SOPTSKEY		VMLON	
SOPTSVAR	OPTION	VMLON	
	VMLON	Y or N	VMLON controls activation of the Israeli Voice Mail feature. When VMLON is set to N, the feature has no impact. When VMLON is set to Y, the Israeli Voice Mail feature is activated. The default is N.

KEY = WUCRON

If the entry in field SOPTSKEY is WUCRON (TLR Wake Up Call Request), the SOPTSVAR field contains the following subfields.

Field descriptions for conditional datafill

Field	Subfield	Entry	Explanation and action
SOPTSKEY		WUCRON	
SOPTSVAR	OPTION	WUCRON	Wake Up Call Request
	ATTNUM	0 to 3	Wakeup Attempts Number. This field determines the number of attempts for a wake up call request. The default is 0.

ISERVOPT (continued)**Field descriptions for conditional datafill**

Field	Subfield	Entry	Explanation and action
	RNGTMODIG	0 to 2	Timeout Digits. This field determines the number of timeout digits for a wake up call request. The default is 0.
	ACTTRTM	Extended Treatment	Wakeup Success Treatment. This field determines the treatment given to a successful wake up call.
	ALWALLDN	Y or N	Wakeup Allowed on Every Directory Number. This field determines if a wake up call request is allowed on every DN. The default is N.
	COLLDIG	Y or N	Collection Digit. This field determines if all digits are collected in one report. The default is N.
	SECREG	Y or N	Second Activation. This field determines if a second activation is active. The default is N.
	RNGTMO	Y or N	Ringling Timeout. This field determines if the special calculation for ringing time-out is required. If set to Y, each unit in the WUCR_RINGING_TIMEOUT office parameter is calculated as two seconds. The default is N.
	WUCRISDN	Y or N	WUCR for ISDN. This field determines if the WUCR feature for ISDN is allowed. The default is N.
	M RTPULSE	0 to 255	MTR Pulses. If this field contains a value greater than zero, and the subscriber has the MTR feature, the value determines the number of MTR pulses as a result of wakeup call activation. The default is 0.

Datafill example

The figures that follow show sample datafill for table ISERVOPT.

ISERVOPT (continued)**MAP display example for CCBS option in table ISERVOPT**

SOPTSKEY	SOPTSVAR
CCBS	CCBS N Y 5

Note: The following list gives datafill examples for the CCBS service. They are based on the five possible values for the CCBS tuple, namely: KEY (SOPTSKEY), OPTION (SOPTSVAR), DISTINCT_RECALL_RING, SINGLE_DIGIT_AND_ANN, and DIGIT. DIGIT is only operational when SINGLE_DIGIT_AND_ANN is set to 'Y'.

- No enhancements are turned on:
CCBS CCBS N N

With this datafill you will hear the busy tone when you reach the busy destination user. CCBS can be activated by pressing R*37.

- Only the distinctive recall ringing enhancement is operational:
CCBS CCBS Y N

- Only the single digit activation with announcements (e.g. for digit 5) enhancement is operational:
CCBS CCBS N Y 5

With this datafill you will hear the busy tone when you reach the busy destination user. CCBS can be activated by pressing digit 5.

- Distinctive recall ringing *and* single digit activation with announcements for digit 9 is operational:
CCBS CCBS Y Y 9

MAP display example for table ISERVOPT

SOPTSKEY	SOPTSVAR
RCTL	RCTL Y
ACRJ	ACRJ Y
ACRJ	ACRJ_CRG JPN
PBMOH	PBMOH Y

ISERVOPT (continued)

MAP display example for entry ILRCLS in table ISERVOPT

SOPTSKEY	SOPTSVAR
ILRCLS ILRCLS N (DABE 01)(DNI 02)(DAT 03)(DAI 09)(DNID 15)\$	

MAP display example for table ISERVOPT

SOPTSKEY	SOPTSVAR
CND	CND ETSI RS45 Y Y DEFAULT

MAP display example for table ISERVOPT

SOPTSKEY	SOPTSVAR
RCODE (RCODE0 DISC_ACT) (RCODE1 DISC_HOLD) (RCODE2 TOGGLE) (RCODE3 XFER) \$	

MAP display example for table ISERVOPT

SOPTSKEY	SOPTSVAR (OPTION)	MCTBYDP2
MCTBYDP2	MCTBYDP2	Y

ISERVOPT (continued)

Example of the MCTBYDP2 option

ISERVOPT (continued)

```
>table ISERVOPT
MACHINES NOT IN SYNC - DMOS NOT ALLOWED
JOURNAL FILE UNAVAILABLE - DMOS NOT ALLOWED
TABLE: ISERVOPT
>
>add
MACHINES NOT IN SYNC - DMOS NOT ALLOWED
JOURNAL FILE UNAVAILABLE - DMOS NOT ALLOWED
ENTER Y TO CONTINUE PROCESSING OR N TO QUIT
>y
SOPTSKEY:
>MCTBYDP2
OPTION:
>MCTBYDP2
MCTBYDP2:
>y
TUPLE TO BE ADDED:
MCTBYDP2 MCTBYDP2 Y
ENTER Y TO CONFIRM, N TO REJECT OR E TO EDIT.
>y
TUPLE ADDED
JOURNAL FILE INACTIVE
>
>pos MCTBYDP2 MCTBYDP2 Y
MCTBYDP2 MCTBYDP2 Y
>cha
MACHINES NOT IN SYNC - DMOS NOT ALLOWED
JOURNAL FILE UNAVAILABLE - DMOS NOT ALLOWED
ENTER Y TO CONTINUE PROCESSING OR N TO QUIT
>y
OPTION: MCTBYDP2
>
MCTBYDP2: Y
>n
TUPLE TO BE CHANGED:
MCTBYDP2 MCTBYDP2 N
ENTER Y TO CONFIRM, N TO REJECT OR E TO EDIT.
>y
TUPLE CHANGED
JOURNAL FILE INACTIVE
>
>pos MCTBYDP2 MCTBYDP2 Y
>del
MACHINES NOT IN SYNC - DMOS NOT ALLOWED
JOURNAL FILE UNAVAILABLE - DMOS NOT ALLOWED
ENTER Y TO CONTINUE PROCESSING OR N TO QUIT
>y
TUPLE TO BE DELETED:
MCTBYDP2 MCTBYDP2 N

ENTER Y TO CONFIRM, N TO REJECT OR E TO EDIT.
>y
TUPLE DELETED
JOURNAL FILE INACTIVE
```


ISERVOPT (continued)**MAP display example for option CEPT_CFX in table ISERVOPT**

SOPTSKEY	SOPTSVAR
CEPT_CFX	CEPT_CFX Y 4 15 N N Y N \$

MAP display example for entry IWUC in table ISERVOPT

SOPTSKEY	SOPTSVAR
IWUC IWUC	10 one Y \$

MAP display example for entry ICONF in table ISERVOPT

SOPTSKEY	SOPTSVAR
	ALLOW_ICT_IN_I3WC CLF_FLASH_IGNORE
ICONF ICONF	Y Y

MAP display example for entry ICT in table ISERVOPT

SOPTSKEY	SOPTSVAR
	FIRST_LEG SECOND_LEG
ICT ICT	ALLOW_IC ALLOW_BOTH

MAP display example for entry ISUPUTR in table ISERVOPT

SOPTSKEY	SOPTSVAR (OPTION)	ISUPUTRACT
ISUPUTR	ISUPUTR	Y

ISERVOPT (continued)**MAP display example for entry BRILINE for ACBAR_TLR in table ISERVOPT**

```

ran 2
  2 SOPTSVAR          SERVOPTS_VAR_AREA
  TYPE IS SERVOPTS_VAR_AREA  MULTIPLE WITH
      OPTION          SERVOPTSKEY REFINEMENTS:
      {...}          MULTIPLE WITH
      {...}
      .....
      .....

      {ACBAR_TLR}    MULTIPLE WITH
      ACBAR_TLR     {N, Y}
      ODP_SUPPORT   {N, Y}
      BRILINE       {ACCEPT, DENY, }

```

Table history**SN06 (DMS)**

Option BRILINE added to ACBAR_TLR for feature A00001011 (automatic call back to BRI subscriber terminator).

CSP18/SN05**Feature 59038854**

The following information was added:

- CCBS operation details for CEPT and Bellcore
- CCBS interrogation details for CEPT, including new announcements.

SN04 (DMS)**Feature 59034909**

The following CCBS entries were added for feature 59034909 (CCBS IBN Line Enhancements)

- Entry CCBS added to field SOPTSKEY
- Entry CCBS added to field SOPTSVAR/OPTION
- New fields DISTINCT_RECALL_RING, SINGLE_DIGIT_AND_ANN, and DIGIT added to entry CCBS in field SOPTSVAR/OPTION

ISERVOPT (continued)

Feature 59037044

The following option was added for feature 59037044 (Support UTR by ISUP in DISA features):

- ISUPUTR

Attribute ISUPUTRACT added to enable/disable UTR digit collection.

Feature 59034526

The following entries were added for feature 59034526 (Three Party and Enquiry Services for PNG):

- ICONF

— Entry ICONF added to field SOPTSKEY

— Entry ICONF added to field SOPTSVAR/OPTION

— New fields ALLOW_ICT_IN_I3WC and CLF_FLASH_IGNORE, added to entry ICONF in field SOPTSVAR/OPTION

- ICT

— Entry ICT added to field SOPTSKEY

— Entry ICT added to field SOPTSVAR/OPTION

— New fields FIRST_LEG, and SECOND_LEG added to entry ICT in field SOPTSVAR/OPTION

Feature 59034536

The following entries were added for feature 59034536 (Wake-Up Call, Call Control and Automatic Absentee Features for PNG):

- IWUC (Wake-up Call)

— Entry IWUC added to field SOPTSKEY

— Entry IWUC added to field SOPTSVAR/OPTION

— New fields NUMBER_OF_REQUEST, OVERWRITE_LAST and MIN_AHEAD_TIME added to entry IWUC in field SOPTSVAR/OPTION

The following new field was added to the existing IRLCLS entry:

- ILR_PROG

Feature 59034541

Option CEPT_CFX added for feature 59034541 (CEPT Call Forwarding Features for Papua New Guinea (PNG)).

ISERVOPT (continued)

Feature 59033748

Option MCTBYDP2 added for feature 59033748 (MCT (CLF) activation by DP digit 2 for CEPT lines).

Feature 59034914

Feature 59034914 adds new fields ANNC_PROMPT to tuple RAG and renames existing field ANNC_ALLOWED in tuple RAG to ANNC_CONF.

MMP16

Option OCBPROG added for feature 59032661 (ETSI BRI Outgoing Call Barring - User Controlled).

MMP15

Option REVCSE added for feature 59022415 (IBN Line Reverse Charging).

CND_LANG and ASK_STATUS are added to the CND tuple for feature 59021957.

Feature 59022215 adds tuple FTRACT for all CEPT features to provide the ACT codes that indicate feature action codes.

Feature 59022865 adds options ACBAR_TLR, CFWON, SCRNDN, SIDIGTON, TWCON, WUCRON, TLRMCT and VMLON for the Israeli market.

MMP14

Feature 59017799 (RBWF Activation Consistency) modifies the AR option to support Ring Back When Free activation consistency for both IBN and EBS sets.

Feature 59017199 (Anonymous Call Reject enhancements) adds field ACRJ_CRG to the ACRJ option. This implements a Japan-specific enhancement that allows the system to handle ACRJ calls as answered. The operating company therefore has the option to determine whether to bill the calling party for anonymous rejected calls.

Feature 59017996 adds field ACCESS_CODE to the CND option.

Feature 59019295 adds fields ILRCLASS and ILR_DIGIT to the ILRCLS option.

Feature 59019281 adds option RCODE for CEPT features I3WC, ICT, and ICWT to provide the R-codes.

ISERVOPT (continued)

MMP13

Feature 59014534 adds field RNGSPLSH to the CND option.

Feature 59012273 adds field ADDACON to the SLEOPT option for the Belgian market.

Feature 59014225 adds field DACTOPT and subfield CANCDIG to the AR tuple of table ISERVOPT.

Feature 59012835 adds field MCTVAR and subfields STD and EMCT.

MMP12

Added the CND option for activity 59007660.

Added the FNT option for activity 59008217.

Added the CFTANN/CFO option for activity 59008297.

Added the AR option (adapted from the AR CLASS feature for the Australian market) for activity 59007855.

Added UTRCHK, AR, MODDN, SLEOPT, CNDDISP, SCRNDN, ACCTCODE, VERDDN, PDDCHANG, SFICLK, and PPRIOUTP options for activity 10172770.

EUR010

Added RAGDIGIT option for activity AJ5518.

Added key values MONA and CRSP for Multi-Market Platform (MMP).
Added ACRJ, CRSP, MONA, PBMOH, and RCTL subfields.

APC011

Introduced table ISERVOPT.

Supplementary information

This table does not contain initial datafill. The operating company using this table provides datafill that refers to indicated services.

The default values of parameters CFO_XLA and CFTAN_XLA are CFOXLA and CFTANXLA respectively.

CFTAN_XLA and CFO_XLA require no restarts.

ISERVOPT (continued)

When CFTAN_XLA and CFO_XLA are changed, there is no memory allocation or de-allocation.

The default state of the NOCOLL parameter in table ISERVOPT is ON. Even if the tuple does not exist in ISERVOPT, the state is considered to be ON. If the state is ON, the functionality of the NOCOLL feature is available officewide and the tone is provided to all applicable calls. If the state is OFF, the functionality of the NOCOLL feature is suppressed and the payphone recognition tone is not provided.

The ring splash duration value is only effective for a global peripheral platform (GPP) Mel channel-associated signaling (CAS) peripheral configuration.

Restriction classes

The restriction classes are described as follows.

- **DABE:** Deny all but emergency calls. All calls are restricted except emergency calls such as police, fire department, ambulance.
- **DNID:** Deny national and international direct dial calls. All calls except local and international operator assisted calls are restricted.
- **DIDD:** Deny international direct dial calls. All international except international operator assisted calls are restricted.
- **DNI:** Deny national and all international direct calls. All calls except local calls are restricted.
- **DAI:** Deny all international calls. All calls except local and national calls are restricted.
- **DSSV:** Deny special service calls. Only special service calls are restricted.
- **DANID:** Deny all national and international direct dial calls.
- **DABLE:** Deny all but local and emergency calls. All calls except local and emergency calls are restricted.
- **DNIC:** Deny national, international, national, and international operator-assisted and cellular calls.
- **DAIC:** Deny international, international operator-assisted and cellular calls.
- **DANI:** Deny national, international, national operator-assisted, and international operator-assisted calls.
- **NIL:** No calls are restricted. This is the case that ILR is not assigned to the line or ILR is assigned to the line but not activated.

ISERVOPT (end)

- DAT: Deny All Timed calls. All calls except Local Unit-Fee calls are barred.
- DOC: Deny Only Cellular call. Only cellular calls are restricted.

ISGDEF

Table name

ISDN Service Group Definition Table

Functional description

Table ISGDEF contains the D-channel handler (DCH) service and channels data previously kept in table DCHINV. It contains information on ISDN service group (ISG) numbers, peripheral module (PM) type, the services provided, and allocation of services to channels.

For related information, refer to table DCHINV.

Datafill sequence and implications

Table DCHINV must be datafilled before table ISGDEF.

Table LNINV must be datafilled after table ISGDEF.

Table size

0 to 256 tuples

ISGDEF (continued)**Datafill**

The following table lists datafill for table ISGDEF.

Field descriptions

Field	Subfield or refinement	Entry	Explanation and action
ISGNO		0 to 255	<i>ISDN service group number</i> Enter the reference number for the table entry. It is the identification number that is used by ISDN loop allocation to assign ISDN D-channels to D-channel handlers (DCH) through ISDN channel groups (ISGs).
PMTYPE		TMS, RCCI, LGC, LTC, PLGC, PRCC, SMA, SMA2, RCC2, SMU, or ARCC	<i>Peripheral module type</i> Enter the peripheral module (PM) that supports the DCH services. Table ISGDEF allows the ability to datafill and do call processing using ISDN basic rate access (BRA) services on a PCM30 remote cluster controller (PRCC). The PRCC is connected to an ISDN signaling preprocessor (ISP) equipped two processor PCM30 line group controller (PLGC). A PRCC can exist in the same office as another type of remote cluster controller (RCC) as of BCS32. A subscriber carrier module-100 urban (SMU) can only be specified if the SMU has an enhanced ISP (EISP). The ARCC is the Austrian Remote Cluster Controller.
PMNO		0 to 255	<i>Peripheral module number</i> Enter the external identification number for the PM.

ISGDEF (continued)**Field descriptions**

Field	Subfield or refinement	Entry	Explanation and action
SERVICE		TDC, BRA, or PD	<p><i>Service</i> Enter the services that are provided by the ISDN service group.</p> <p>Service also defines the default channel table that is a vector of up to four entries. If the entry in field SERVICE is TDC, refinement CHTYPE is automatically datafilled as TDC for all channels, except the reserved channel 0.</p> <p>BRA and PD are applicable entries to ISDN.</p>
CHNLTAB		see subfields	<p><i>Channel information</i> Field CHNLTAB is a vector with up to 32 entries specifying the functions of each of the channels. Any channel that is not specified retains its default (add) or current (change) value</p> <p>It consists of subfields DCHNL and CHTYPE.</p>
	DCHNL	0 to 31	<p><i>D-channel</i> Enter the external identifier for the D-channel.</p>
	CHTYPE	see subfield	<p><i>Channel type</i>This field consists of subfield CHNLTYPE and its refinements.</p>
	CHNLTYPE	NIL, RESERVED, BRA, BD, or TDC	<p><i>Channel type</i> Enter the type of service the D-channel provides.</p> <p>If the entry in field SERVICE is not TDC, subfield CHNLTYPE cannot be TDC. BRA and BD are valid channel types for ISDN.</p> <p>If the entry in subfield CHNLTYPE is TDC, datafill refinements RATE, IHDLC, and CONTMARK.</p>

ISGDEF (continued)**CHNLTYPE = TDC**

If the entry in subfield CHNLTYPE is TDC, datafill refinements RATE and IHDLC as described below.

Field descriptions for conditional datafill

Field	Subfield or refinement	Entry	Explanation and action
	RATE	56K, 64K	<i>Rate</i> If the entry in subfield CHNLTYPE is TDC, datafill this refinement. Enter the data rate in kilobytes per second.
	IHDLC	ON, OFF	<i>IHDLC</i> If the entry in subfield CHNLTYPE is TDC, datafill this refinement. Provides toggle inversion capabilities of the data. There is no default.

CHNLTYPE = BD and BRA

If the entry in subfield CHNLTYPE is BD or BRA, the following restriction enforces a datafill ordering. This restriction is handled differently during the One Night Process (ONP) and the non-ONP as follows:

- *ONP*
A warning message "BD chnls must be higher than any BRA chnls" is printed out to inform the craftsperson the incorrect data ordering in the tuple transferred. However, the tuple is accepted by the table on the new side. This handling method for ONP is valid for CCM05 and three up-streams. After CCM08, the tuple with incorrect data ordering will be rejected during ONP.
- *Non-ONP*
An error message "BD chnls must be higher than any BRA chnls" is printed out to inform the craftsperson the incorrect data ordering in the tuple and the tuple is rejected.

Datafill example

The following example shows sample datafill for table ISGDEF.

ISGDEF (end)

MAP display example for table ISGDEF

ISGNO	PMTYPE	PMNO	SERVICE
CHNLTAB			
2	LTC	1	(BRA) (PD)\$ (0 RESERVED)
(1 BRA)	(2 BRA)	(3 BRA)	(4 BRA) (5 BRA) (6 BRA)
(7 BRA)	(8 BRA)	(9 BRA)	(10 BRA) (11 BRA) (12 BRA)
(13 BRA)	(14 BRA)	(15 BRA)	(16 BRA) (17 BRA) (18 BRA)
(19 BRA)	(20 BRA)	(21 BRA)	(22 BRA) (23 BRA) (24 BD)
(25 BD)	(26 BD)	(27 BD)	(28 BD) (29 BD) (30 BD)
(31 BD)	\$		

Table history

NA005

Added a restriction to enforce a datafill ordering (for that of BD and BRA) for CHNLTAB field in accordance with DCH Robustness Recovery.

NA004

Added SMA2 as an entry to field PMTYPE.

ISGTDM**Table name**

ISDN Service Group Time Division Multiplex Table

Functional description

Table ISGTDM contains the basic rate access (BRA) channel information.

Entries in table ISGTDM are automatically created when table LNINV is datafilled. An ISDN service group (ISG) channel has an entry in table ISGTDM if a time division multiplex (TDM) group is mapped to it.

Table ISGTDM can only be changed from the table editor during dump and restore. It cannot be changed manually.

Datafill sequence and implications

The following tables must be datafilled before table ISGTDM.

- LCMINV
- ISGDEF

Table size

0 to 255 tuples

Datafill

The following table lists datafill for table ISGTDM.

Field descriptions (Sheet 1 of 3)

Field	Subfield or refinement	Entry	Explanation and action
ISGCHNL		see subfields	<i>ISDN service group and channel</i> This field consists of subfields ISGNO and CHNLNO.
	ISGNO	0 to 255	<i>ISDN service group number</i> This field displays the ISDN service group (ISG) number.
	CHNLNO	1 to 31	<i>Channel number</i> This field displays the number of the channel on the ISG.

ISGTDM (continued)

Field descriptions (Sheet 2 of 3)

Field	Subfield or refinement	Entry	Explanation and action
TDMGROUP		1 to 120	<i>Time division multiplex group</i> This field displays which time division multiplex (TDM) group is using the channel number specified in field CHNLNO. 0 (zero) is not a valid entry.
LCDINM		see subfields	<i>ISDN line concentrating device</i> This field indicates which ISDN line concentrating device (LCDI) the TDM group is on and consists of subfields SITE, FRAME, and UNIT.
	SITE	alphanumeric (4 characters)	<i>Site</i> This field displays the site of the LCDI.
	FRAME	0 to 127	<i>Frame</i> This field displays the frame number on which the the TDM group is located.
	UNIT	0 to 9	<i>Unit</i> This field displays the unit number on which the TDM group is located.
CSPORT1		0 to 15	<i>C-side port one</i> This field displays the port being used for the first C-side connection.
CSCHNL1		0 to 31	<i>C-side channel on</i> This field displays the channel being used for the first C-side connection. 0 (zero) is reserved for messaging and is not a valid entry.
CSPORT2		0 to 15	<i>C-side port two</i> This displays the port being used for the second C-side connection.
CSCHNL2		0 to 31	<i>C-side channel two</i> This field displays the channel being used for the second C-side connection. 0 (zero) is reserved for messaging and is not a valid entry.

ISGTDM (continued)**Field descriptions (Sheet 3 of 3)**

Field	Subfield or refinement	Entry	Explanation and action
PSENDPT		see subfield	<i>P-side end point</i> This field consists of subfield PATHTYPE.
	PATHTYPE	R or V	<i>Path type</i> This field displays the path type. If R (real end-point) is entered, refinements PSPORT and PSCHNL are datafilled. If V (virtual end-point) is entered, refinement VPSEP is datafilled. V is a valid entry only for share resource units (SRU).
	PSPORT	0 to 53	<i>P-side port</i> This field displays the port being used for the P-side connection. For remote extended multiprocessor system (XMS)-based peripheral modules (XPM), the range is 0 to 53. For non-remote XPMs, the range is 0 to 19.
	PSCHNL	1 to 31	<i>P-side channel</i> This field displays the channel being used for the P-side connection.
	VPSEP	0 to 379	<i>Virtual P-side end-point</i> This field displays the virtual P-side end-point.

Datafill example

The following example shows sample datafill for table ISGTDM.

MAP display example for table ISGTDM

```

ISGCHNL TDMGROUP LCDINM CSPORT1 CSCHNL1 CSPORT2 CSCHNL2
PSENDPT
-----
100 1          14 HOST 02 0 15      1      15      2 R 12 4

```


ISGTDM (end)

Table history

BCS36

Table ISGTDM was introduced.

Supplementary information

This section provides information on dump and restore procedures for table ISGTDM.

Dump and restore

Field `DUMP_RESTORE_FLAG_IN_PROGRESS` in table OFCSTD must be set to `TRUE` before table ISGTDM is restored.

ISOCCPRV

Table name

ISO Calling Card by Provider

Functional description

Table ISOCCPRV (ISO Calling Card by Provider) is used to obtain the index into table CCVPARMS for calls billed to an International Organization for Standardization (ISO) card. Table ISOCCPRV is used instead of table INTCCFMT when the UNBN0104 SOC and LIDBYCIC fields are active, and the UNBUNDLING_LIDB_QUERY_ROUTING parameter in table TOPSFTR is set to yes.

This table is created as a result of the LIDB Query Routing Based on CIC feature. The capability of determining which LIDB to query based on the Carrier Identification Code (CIC) and billing number associated with the call is provided by this feature. This functionality is activated on a per-CIC basis through table TOPEACAR, and only applies to calls originated from a carrier. Enhancements are also made to the release line trunk (RLT) protocol to signal the International organization for standardization (ISO) card information back to the DMS-250 in the facility request message (FAR).

Datafill sequence and meaning

The value in field PARMSIDX must be defined in table CCVPARMS before datafilling in table ISOCCPRV. The datafill sequence is as follows:

- CCVPARMS
- LDBIDXNM
- TOPEACAR
- ISOCCPRV

Datafill

The next table lists the datafill for table ISOCCPRV.

Description of table ISOCCPRV (Sheet 1 of 2)

Field Name	Subfield	Entry	Explanation
ISOKEY			Two part key consisting of the index from table TOPEACAR and the calling card digits.
	LIDBIDX	Up to eight alphanumeric characters.	Index from table TOPEACAR.

ISOCCPRV (end)

Description of table ISOCCPRV (Sheet 2 of 2)

Field Name	Subfield	Entry	Explanation
	ISSUERID	Up to seven digits.	Subset of the calling card number.
ACCIDSIZ		1 to 15	The size of the account code section of the card number.
PINSIZE		0 to 4	The size of the personal identification code.
LUHNCHK		Y or N	Specifies if Luhn digit check should be done on the card. (ITU cards only).
CARDBRND		Alphanumeric index from table CARDBRND	Specifies a specific carrier brand.
PARMSIDX		0 to 300	This field provides the index into table CCVPARMS.

Datafill example

The next figure shows sample datafill for table ISOCCPRV.

MAP display example for table ISOCCPRV

PARMSIDX	ISOKEY	ACCIDSIZ	PINSIZE	LUHNCHK	CARDBRND
CAR111 0	4251	10	4	Y	DEFAULTNAME
CAR111 1	891333	11	0	Y	DEFAULTNAME

Table release history

Table ISOCCPRV is a new table for the TOPS16 release.

ISTRKGRP

Table name

RCC Dynamic Trunk Groups Table

Functional description

Table ISTRKGRP is used in a remote switching center (RSC) with RSC trunk intraswitching dynamic channel capability. To indicate that a trunk group has dynamic capability, its common language location identifier (CLLI) is entered in table ISTRKGRP together with its site and the remote cluster controller (RCC) to which it is restricted.

Changes, additions, or deletions for a trunk group in table ISTRKGRP are not permitted if subgroups of the trunk group are datafilled in table TRKSGRP or if members of the trunk group are datafilled in table TRKMEM.

Datafill sequence and implications

The following tables must be datafilled before table ISTRKGRP.

- CLLI
- SITE
- TRKGRP

Table size

0 to 511 tuples

ISTRKGRP (continued)**Datafill**

The following table lists datafill for table ISTRKGRP.

Field descriptions

Field	Subfield or refinement	Entry	Explanation and action
ISTRKKEY		alphanumeric (1 to 16 characters)	<p><i>Dynamic trunk group CLLI</i> Enter the CLLI of the dynamic trunk group. The CLLI entered here must appear in table TRKGRP and must not appear in tables TRKSGRP and TRKMEM. The trunk group must be one of the following types:</p> <ul style="list-style-type: none"> • incoming end office (TI) • outgoing end office (TO) • two-way end office (T2) • integrated business network (IBN) incoming (IBNTI) • IBN outgoing (IBNTO) • IBN two-way (IBNT2) • two-way private branch exchange (PBX) digital (PX)
XPMNAME		see subfields	<p><i>Peripheral name</i> This field consists of subfields SITE_ID, PMT, and EXT_PMNO.</p>
	SITE_ID	alphanumeric (up to 4 characters)	<p><i>Site identification</i> Enter the site of the RSC. The site entered here must appear in table SITE field NAME.</p>
	PMT	RCC, RCC2, RCO2, or SRCC	<p><i>Peripheral module type</i> Enter RCC for a remote cluster controller, RCC2 for a compact remote cluster controller, RCO2 for a remote cluster offshore #2, or SRCC for a synchronous optical network (SONET) remote cluster controller.</p>
	EXT_PMNO	numeric (0 to 63)	<p><i>Peripheral module number</i> Enter the peripheral module number of the RCC associated with the trunk group. Entries outside of this range are invalid.</p>

ISTRKGRP (end)

Datafill example

The following example shows sample datafill for table ISTRKGRP.

MAP display example for table ISTRKGRP

ISTRKKEY	XPMNAME
OUTGOINTRK	REM1 RCC 0

Table history**BCS36**

Added RCO2 entry value to field PMT range in accordance with feature AJ2924.

Supplementary information

This section provides additional information related to table ISTRKGRP.

Broadcast notice 1115

If the DMS host has feature package NTX152AA/AB (RSC Trunking) and has an RSC engineered to use the RSC trunk intraswitching dynamic channel, then table ISTRKGRP must be datafilled. Failure to provide datafill can result in a traffic overload in the RSC unless there are sufficient host-to-remote links to support the remote peripheral side (P-side) trunk links on a one-to-one ratio.

ISUPDEST

Table name

CCS7 ISDN User Part Destination Table

Functional description

Table ISUPDEST enables the user to datafill the portion of a signaling network identifier (SNID) that is logically associated with tables TRKGRP and TRKSGRP, separately from the entries in table C7TRKMEM. This reduces the effort required to datafill ISUP (CCS7 ISDN user part), BTUP (the United Kingdom [UK] variant of national user part), and MBTUP (a user-specific version of BTUP) trunks.

Table ISUPDEST contains a key field, DESTKEY, and one result field, ISUPROUT (the ISUP routeset name). The ISUP routeset name is used to access table C7RTESET to obtain the network and point code information that specifies the portion of a SNID logically associated with a trunk group or subgroup. The ISUP routeset name is used to enhance the interface to this table. Actual network and point code values are retrieved at datafill time from the routeset table. These values are stored along with the trunk group common language location identifiers (CLLI) in table ISUPDEST, but are transparent to the user.

Modification or deletion of data in this table is restricted. An ISUPDEST tuple can be modified or deleted only if no C7TRKMEM table entries are associated with the tuple.

Datafill sequence and implications

The following tables must be datafilled before table ISUPDEST.

- IPMLINV
- C7NETWRK
- TRKSGRP
- TRKMEM
- C7LKSET
- C7LINK
- C7RTESET
- CLLI

Table size

0 to 16 384 tuples

ISUPDEST (continued)

Memory allocation is the same as table TRKSGRP.

Datafill

The following table lists datafill for table ISUPDEST.

Field descriptions

Field	Subfield or refinement	Entry	Explanation and action
DESTKEY		see subfields	<i>Destination key</i> This field consists of subfields CLLI and SGRP.
	CLLI	alphanumeric (up to 16 characters)	<i>Common language location identifier</i> Enter the code assigned to the ISUP, BTUP, or MBTUP trunk group in table CLLI.
	SGRP	0 or 1	<i>Subgroup number</i> Enter the number assigned to the ISUP, BTUP, or MBTUP trunk subgroup.
ISUPROUT		alphanumeric (up to 16 characters)	<i>CCS7 ISDN user part routeset name</i> Enter the routeset name that provides the network and point code information from table C7RTESET. This specifies the portion of the SNID that is logically associated with this trunk group. The routeset name entered here must already be datafilled in table C7RTESET.

Datafill example

The following example shows sample datafill for table ISUPDEST.

The example contains data for three trunk groups (ISUPINC, ISUPOTG, and ISUP2W) in subgroup 0. Routeset C7RTESET2 provides the network and point code for trunk group ISUPINC; routeset C7RTESET1 provides the network and point code for trunk groups ISUPOTG and ISUP2W.

ISUPDEST (end)

MAP display example for table ISUPDEST

DESTKEY	ISUPROUT
ISUPINC 0	C7RTESET2
ISUPOTG 0	C7RTESET1
ISUP2W 0	C7RTESET1

Table history

NA013

Added error message for dynamic trunks for activity 59007550.

Supplementary information

The table that follows explains the error messages that can occur if you enter data incorrectly in table ISUPDEST.

Error message table

Error message	Explanation and action
*** This packet ISUP trunk is incompatible with ISUPDEST. *** This trunk has the DYNAMIC option assigned to it in table TRKOPTS.	No DYNAMIC trunk group can be entered in table ISUPDEST if its DYNAMIC voice signaling network is IP in table TRKOPTS. Select a trunk group that is not marked as DYNAMIC with an IP voice signaling network in table TRKOPTS.

ISUPSERV**Table name**

ISDN User Part Services Table

Functional description

In ISDN user part (ISUP) messages, the coding for services is not fixed and up to five different assignments of services-to-user service information (USI), high layer compatibility information element (HLC), and low layer compatibility information element (LLC) mapping exist.

To allow interworking between different variants of ISUP, these mappings are datafilled in table ISUPSERV.

Each service capability has its set of corresponding USI, HLC, and LLC mapping datafilled against it.

During calls when services are involved, based on index from table TRKSGRP (ISUP version) and the service requested, corresponding values are mapped to USI, HLC, and LLC.

Table ISUPSERV is a change-only table. All variants are datafilled with default values.

Datafill sequence and implications

There is no requirement to datafill other tables prior to table ISUPSERV.

Table size

90 tuples

Datafill

The following table lists datafill for table ISUPSERV.

Field descriptions (Sheet 1 of 3)

Field	Subfield or refinement	Entry	Explanation and action
SERVICEKEY		see subfields	<i>Service key</i> This field is the key to the table. It consists of subfields ISUP_VARIANT and ISUP_SERVICE.
	ISUP_VARIANT	V1,V2,V3, V4, or V5	<i>ISDN user part variant</i> This field contains the ISUP that is supplied by the table TRKSGRP.

ISUPSERV (continued)**Field descriptions (Sheet 2 of 3)**

Field	Subfield or refinement	Entry	Explanation and action
	ISUP_ SERVICE	3K1_AUDIO 3K1_ASY_ RA 3K1_LT_56_ RADT_64 DT_56_RA DTL56_RA DT_64_X25 DT_56_ X25RA DTL56_ X25RA DT_64_ASY_ RA FAX_2_3 FAX_4_56_ RA FAX_4_64K SPEECH TELEPHONY TELETEX MIXED_ MODE VIDEOTEX	<i>ISDN user part service</i> This field specifies the actual telephone bearer service requested.
USI		2 vectors of up to 22 hex digits	<i>User service information</i> This field indicates a bearer service or services requested by the network. In the absence of this information, no default bearer capability is assumed. The maximum length of this information is 13 bytes. Two sets of user service information (USI) mappings can be datafilled for the same service. Two services can be datafilled. If less than two services are required, end the list with a \$ (dollar sign).

ISUPSERV (end)**Field descriptions (Sheet 3 of 3)**

Field	Subfield or refinement	Entry	Explanation and action
HLC		vector of up to 6 characters (0 to 9, A to F)	<p><i>High layer compatibility information element</i> This field provides a means for compatibility checking. The maximum length of this information is 5 bytes.</p> <p>Only one set of mappings is allowed.</p>
LLC		2 vectors of up to 28 hex digits	<p><i>Low layer compatibility information element</i> This field provides a means for compatibility checking. This field is used when the caller specifies information, during call setup, regarding low layer capabilities required in the network and the destination terminal. The maximum length of this information is 16 bytes.</p> <p>Two sets of LLC mappings for each service can be datafilled. If less than two sets are required, end the list with a \$ (dollar sign).</p>

Datafill example

The following example shows sample datafill for table ISUPSERV.

MAP display example for table ISUPSERV

SERVICEKEY	USI	HLC	LLC
V1 TELETEX	(909A3)\$	9090	(9184)\$

ISUPTRK

Table name

Integrated Services Digital Network User Part Trunk

Functional description

Table ISUPTRK is used for ISUP trunks that interact with the TOPS environment. It provides screening parameters, equal access information, call source type, an ANI forwarding parameter, an RLT parameter, a CLI Restriction parameter, and a DN lookup indicator.

Datafill sequence and implications

The following tables must be datafilled before table ISUPTRK.

- TRKGRP and TRKSGRP, which provide the valid set of trunk CLLIs defined as ISUP.
- LCASCRCN, which specifies the valid set of LCA screening classes.

Table size

0 to 8191, where the maximum size is limited by the number of CLLIs.

Datafill

The following table lists datafill for table ISUPTRK:

Field descriptions

Field	Subfield or refinement	Entry	Explanation and action
GRPKEY		see subfield CLLI	Group key. This field consists of subfield CLLI.
	CLLI	Alphanumeric (up to 16 characters)	Common language location identifier. Enter an ISUP IT or ATC trunk datafilled in table TRKGRP.
CONNTYPE		TYPE_A TYPE_B TYPE_D CELL_MOBIL E LOCAL_ TRANS NONE	Connection type. Indicate how to populate the connection type field in AMA module 150. Entry NONE does not record module 150. Otherwise, the field is recorded according to Bellcore standards.
			If CONNTYPE is set to a value other than NONE, datafill refinement CARTYPE.

ISUPTRK (continued)

Field descriptions

Field	Subfield or refinement	Entry	Explanation and action
	CARTYPE	IEC or NBEC	<p>Carrier type. Indicate how to populate the company ID field of AMA module 150 if CONNTYPE is not set to NONE. If CARTYPE = IEC, module 150 is populated with the carrier code from table TOPEATRK. If CARTYPE = NBEC, module 150 is populated with the NBEC code from table NBECCODE, if the calling number has an entry. Otherwise, the code is retrieved from the NBECID field of table TRKGRP for ATC trunks or from the NBECID field of ISUPTRK for IT trunks.</p> <p>Field CARTYPE is only visible if CONNTYPE is datafilled with a value other than NONE.</p> <p>Also, this field indicates how the trunk is treated for ADACC screening. If CARTYPE = IEC, the trunk is treated as an IEC. If CARTYPE = NBEC, the trunk is treated as an NBEC.</p> <p>If CARTYPE = NBEC, datafill refinement NBECID.</p>
	NBECID	0000 to 9999	<p>Non-Bell exchange company identifier. Enter the NBEC identifier for ISUP IT trunks if the carrier type is NBEC. This field is only visible for IT trunks if CARTYPE = NBEC.</p>
LCANAME		alphanumeric (4 characters)	<p>Local class of area screening name. Enter the LCA screening class name to reference table LCASCRCN for local call area screening.</p>
BILLCD		see subfields	<p>Billing code. This field consists of subfield BCTYPE and refinements.</p>

ISUPTRK (continued)**Field descriptions**

Field	Subfield or refinement	Entry	Explanation and action
	BCTYPE	TOPSBC or ENHBC	<p>Billing code type. This subfield indicates the TOPS billing code method for this trunk group. The values are the following:</p> <ul style="list-style-type: none"> • TOPSBC - The earlier TOPS billing code method, which is as follows: <ul style="list-style-type: none"> — For 7 to 10 digit expansion of the calling number, the SNPA is taken from table TOPSBC field ACTUALBC (first 3 digits). Also, the NXX in ACTUALBC overwrites the NXX of the 7 digit DN. — For 7 to 10 digit expansion of operator and delay calls, the SNPA is taken from table TOPSPARM parameters OPR_SPECIFIED_SNPA and DELAY_SPECIFIED_SNPA. — For calling number verification, the NXX is checked in table TOPSBC field BILLCODE. — For ONI and ANIF calls, the default NPA-NXX in table TOPSBC field ACTUALBC in the first tuple for the trunk group is displayed to the operator. — For class charge, table TOPSBC field CHGCLSS provides the index into table TOPSENTC. <p>For value TOPSBC in this field, enter data in refinement NUMBC.</p>

ISUPTRK (continued)

Field descriptions

Field	Subfield or refinement	Entry	Explanation and action
	BCTYPE		<p>Billing code type (continued).</p> <ul style="list-style-type: none"> • ENHBC - The enhanced TOPS billing code method, which is as follows: <ul style="list-style-type: none"> — For 7 to 10 digit expansion of the calling number, the SNPA is taken from table TRKGRP or TCLG7DIG (if trunk is present). Table TCLG7DIG does not overwrite the NXX of the calling number. — For 7 to 10 digit expansion of operator and delay calls, the SNPA is taken from table TOPSPARM, parameters OPR_SPECIFIED_SNPA and DELAY_SPECIFIED_SNPA. — For calling number verification, if subfield CLGVER = Y, the NXX is checked in table TCLGVER. This verification is preformed after 7 to 10 digit expansion. — For ONI and ANIF calls, the NPA-NXX displayed to the operator is taken from table ISUPTRK field DISPDIGS. — For class charge, value TOPS is always used to index table TOPSENTC. <p>For ENHBC in this field, enter data in refinements CLGVER and DISPDIGS.</p>
	NUMBC	1 to 999	<p>Number of billing codes. Enter data in this field if field BCTYPE = TOPSBC. Enter the number of billing codes (NXXs allocated to originate traffic on this trunk group) plus spares that are reserved in table TOPSBC.</p> <p>The MAP display indicates the range is 0-999. However, the system does not allow 0. (Note, this field replaces field NOBILLCD.)</p>
	CLGVER	Y or N	<p>Calling number verification. Enter data in this field if field BCTYPE = ENHBC. Enter Y to verify the calling NXX in table TCLGVER. Otherwise, enter N for no verification.</p>

ISUPTRK (continued)**Field descriptions**

Field	Subfield or refinement	Entry	Explanation and action
	DISPDIGS	6 digits	Display digits. Enter data in this field if field BCTYPE = ENHBC. Enter the NPA-NXX for display to the operator for ONI and ANIF calls.
CALLSRC		ORIG, TERM, or OPER	Calling source. Enter the call source for the given trunk. Originating end (ORIG), terminating end (TERM), or operator (OPER).
ANI2CLI		N or Y	Automatic number identification. Indicate if a call routing to this outgoing trunk should forward the incoming ANI as CLI in the outgoing IAM for an MF to ISUP call. Entry N does not forward CLI. If set to Y, CLI may be forwarded, depending on tables TOPSTOPT and TOPSPARM. CLI is forwarded if field ANI2CLI is set to Y in tables ISUPTRK and TOPSTOPT, and parameter FORWARD_ANI_AS_CLI is set to Y in table TOPSPARM.
RLT		see subfield	Release link trunking. This field consists of subfield RLTVAR and refinements.

ISUPTRK (continued)

Field descriptions

Field	Subfield or refinement	Entry	Explanation and action
	RLTVAR	NONE, RLT_FAR, RLT_REL RLT_IS41 RLT_GSM	<p>Release link trunking variable. This field indicates if RLT is supported on this trunk group. The values are as follows:</p> <ul style="list-style-type: none"> • NONE - RLT is not supported. • RLT_REL - RLT is supported for TOPS05 functionality GR317/GR394 ISUP to/from TOPS, OSEA0005. REL is a protocol message that is specific to this functionality. This functionality only supports ADACC. If call completion fails in the previous office, no alternate, additional support is available. Datafill subfield RLT_VERSION. As of TOPS15, NA0015 feature EAEO:RLT must be available in the DMS-100 end office for this functionality to work correctly. Only RLT transfer is supported which uses one trunk for a call. This value is also referred to as variant 1. • RLT_FAR - RLT is supported for TOPS07 functionality TOPS Carrier RLT, OSEA0007. FAR is a protocol message that is specific to this functionality. This functionality supports more services than RLT_REL. If call completion fails in the previous office, alternate, additional support is available. Datafill subfield RLT_VERSION. RLT transfer and RLT bridging are supported. RLT bridging uses two trunks for a call. This value is also referred to as variant 2. • RLT_IS41 - The field RESETTIMER only appears when the field RLT is set to RLT_IS41. Datafill subfield RLT_VERSION. Datafill subfield RESETTIMER. Datafill subfield TIMerval. • RLT_GSM - added in SN07.

ISUPTRK (continued)**Field descriptions**

Field	Subfield or refinement	Entry	Explanation and action
	RLT_VERSION	1 to 15	<p>When RLT_GSM is selected, existing subfields added in SN06 for value RLT_IS41, RLT_VERSION, RESETTIMER and TIMerval are presented.</p> <p>RLT Version. All RLT entries except NONE have this subfield.</p> <p>For entries RLT_IS41 and RLT_GSM, it can be set to value 1 only.</p> <ul style="list-style-type: none"> • 1 - Enter this value for either of the following two cases: <ul style="list-style-type: none"> — Enter this value if field RLTVAR = RLT_REL. This value causes RLT to operate at a TOPS05 (OSEA0005) level. — Or, enter this value if field RLTVAR = RLT_FAR and the DMS-250 is at software load UCS06 or UCS07. This causes RLT to operate at a TOPS07 (OSEA0007) level. • 2 - Enter this value if field RLTVAR = RLT_FAR and the DMS-250 is at software load UCS08 or higher. This causes RLT to operate at a TOPS09 (OSEA0009) level. <p>The default is 1.</p>
	RESETTIMER	Y or N	<p>Subfield of RLT when RLT is set to RLT_IS41 or RLT_GSM. This field indicates whether an IS-41 or GSM reset timer is in effect for this trunk group.</p> <p>This field indicates whether an IS-41 or GSM reset timer is in effect for this trunk group.</p>

ISUPTRK (continued)**Field descriptions**

Field	Subfield or refinement	Entry	Explanation and action
	TIMERVAL	5-255	<p>Subfield of RESETTIMER when RESETTIMER is set to Y.</p> <p>This field indicates how long a TOPS call waits (in seconds) before sending a ResetTimer TCAP message to the MSC. Once the ResetTimer message is sent, TOPS starts the ResetTimer again. There is no limit to how many ResetTimer TCAP messages can be sent by TOPS during a given call.</p> <p>When datafilling the timer value for RLT_GSM, the maximum value is 250 seconds. This is due to the GSM reset timer implementation.</p>
SNTPDRST		N or Y	Sent paid restricted. Indicate if calls incoming on this trunk should be restricted from being billed station paid. Enter Y for restriction or N for no restriction.
DNLKUPP		N or Y	Directory number lookup. Indicate if the directory number (charge number or calling number if no charge number) should be searched for in tables DNSCRN and SPLDNID for calling station type and billing restrictions. If set to Y and the OLI = 0 or is not present, then the DN lookup is performed. Otherwise, enter N for no search.
DISPLAY		0 to 254	Display. This field is an index into table TOPSDISP to specify the special instructions for display to the operator on a trunk group basis.
ININTWRK		NONE, FAR, FAC	<p>Intelligent network interworking. This field indicates the type of IN interworking messaging with the SSP on an ANSI SS7 ISUP trunk for IN operator backup calls. The values are as follows:</p> <ul style="list-style-type: none"> • NONE: IN interworking is not supported for this trunk group. • FAR: ISUP FAR messages are used. • FAC: ISUP FAC messages are used.

ISUPTRK (continued)**Field descriptions**

Field	Subfield or refinement	Entry	Explanation and action
BRANDCHC		Y or N	<p>Brand choice. This field determines on a trunk group basis if the call is branded based on the CIC or SPID if both are present on the call. Note that this functionality requires UNBN0101 and UNBN0103 SOCs to be active. Enter Y to Other wise, enter N and do not datafill refinement CHOICE.</p> <ul style="list-style-type: none"> • Y - Do front-end branding based on the CIC or SPID when both are present for a carrier call and datafill refinement CHOICE. This capability is supported only for ISUP trunks. • N - Use the prior method where if both the CIC and SPID are present for a carrier call, use the CIC for front end branding. Do not datafill refinement CHOICE.
	CHOICE	CIC or SPID	<p>Choice. If field BRANDCHC = Y, datafill this refinement. Indicate the front-end branding choice.</p> <p>If SPID is entered and the SPID is the same as the office-wide SPID defined in table TOPSPARM, parameter DEFAULT_SPID, then parameter BRAND_USING_DEFAULT_SPID in TOPSPARM determines branding as follows:</p> <ul style="list-style-type: none"> • Y - The call is branded based on the SPID. • N - The call is branded based on the CIC. <p>The table below shows combinations that determine branding.</p>

ISUPTRK (continued)

The table below shows the combinations that determine branding.

Branding matrix for BRANDCHC

Table ISUPTRK field BRANDCHC value	Orig AO SPID present?	CIC present?	Table TOPSPARM parameter DEFAULT_SPID value	Table TOPSPARM parameter BRAND_USING_DEFAULT_SPID value	Brand based on
N	yes	yes	n/a	n/a	CIC
Y SPID	yes	yes	N	n/a	SPID
Y SPID	yes (CLEC)	yes	Y ILEC	n/a	SPID (CLEC)
Y SPID	yes (ILEC)	yes	Y ILEC	N	CIC
Y SPID	yes (ILEC)	yes	Y ILEC	Y	SPID (ILEC)
Y CIC	yes	yes	n/a	n/a	CIC

Datafill example

The following examples show sample datafills for table ISUPTRK:

MAP display example for table ISUPTRK

GRPKEY	CONNTYPE	LCANAME	BILLCD	CALLSRC	ANI2CLI
RLT	SNTPDRST	DNLKUP	DISPLAY	ININTWRK	BRANDCHC
IUPTRK1	TYPE_A	NLCA	TOPSBC 20	ORIG	N
NONE	N N	0	NONE	N	
IUPTRK2	TYPE_A	LCA1	TOPSBC 63	TERM	Y
RLT_REL	1 N	Y	0	NONE	N
IUPTRK3	IEC	LCA1	ENHBC Y 619320	TERM	Y
RLT_FAR	1 N	Y	0	NONE	Y CIC
IUPTRK4	IEC	LCA1	TOPSBC 63	TERM	Y
RLT_FAR	2 N	Y	0	NONE	Y SPID

In the above example, trunk ISUPTR1 does not support RLT, trunk ISUPTRK2 RLT is operating at release TOPS05, trunk ISUPTRK3 RLT is at release TOPS07, and trunk ISUPTRK4 RLT is operating at release TOPS09.

ISUPTRK (continued)**MAP display example 2 for table ISUPTRK**

GRPKEY	CONNTYPE	LCANAME	BILLCD	CALLSRC	ANI2CLI		
RLT	SNTPDRST	DNLKUP	DISPLAY	ININTWRK	BRANDCHC		
MSC_DACC1	CELL_MOBILE	IEC	NLCA	TOPSBC	0	ORIG	
Y RLT_IS41	1 Y 20	N	N	0	NONE	N	

MAP display example 2 for table ISUPTRK

GRPKEY	CONNTYPE	LCANAME	BILLCD	CALLSRC	ANI2CLI		
RLT	SNTPDRST	DNLKUP	DISPLAY	ININTWRK	BRANDCHC		
MSC_DACC1	CELL_MOBILE	IEC	NLCA	TOPSBC	0	ORIG	
Y RLT_GSM	1 Y 20	N	N	0	NONE	N	

In the above examples the RLT version is set to 1, the reset timer is enabled and set to 20 seconds.

Supplementary information

This release history of field RLT is shown in the following table.

Field RLT history

Release	Field RLT description
TOPS05	The values are Y (enable) and N (disable). The default is N.
TOPS07	The values are NONE, RLT_REL, and RLT_FAR. The default is NONE.
TOPS09	Add refinement RLT_VERSION. The default is 1.

The dump and restore rules are as follows:

- If upgrading from a release prior to TOPS05 to any of the above releases, default values are used.
- If upgrading from TOPS05 to TOPS07, then RLT_VAR is set to NONE (if RLT was N) or RLT_REL (if RLT was Y).

ISUPTRK (continued)

- An upgrade from TOPS05 to TOPS09 is not supported.
- If upgrading from TOPS07 to TOPS09, field RLT_VAR is unchanged and RLT_VERSION is set to 1.
- These rules do not apply for IS-41 or GSM RLT.

Table history

SN07 (DMS)

Added RLT_GSM to RLT field by feature A00003687 to accommodate WIN TOPS calls using GSM. The same subfields are used.

SN06 (DMS)

A new entry RLT_IS41 is added to field RLT by feature A00000816. Subfields RESETTIMER and TIMerval are also added.

TOPS15

Field BRANDCHC is added by feature 59026113 in functionality TOPS15 CM Enhancements, OSB00101.

A new requirement is added to field RLTVAR that EAEO:RLT must be available in the end office. This addition is made by 50332563 in support of DMS-100 end office feature 59026484.

TOPS12

Field ININTWRK is added by feature AF7805 in functionality IN Operator Backup, ENSV0106.

TOPS11

The range of field DISPLAY is increased from {0 to 31} to {0 to 254} by feature AF7833 in functionality Table TOPSDISP Expansion, OSB00001.

TOPS10

Field BILLCD is added and field NOBILLCD is deleted by feature AF7498 in functionality TOPS BC/STS/SNPA, OSB00001.

TOPS09

Subfield RLT_VERSION is added by feature AF7134 in functionality TOPS Carrier RLT-2, OSEA0009.

TOPS07

Field RLT is changed by feature AN1900 in functionality TOPS Carrier RLT, OSEA0007.

ISUPTRK (end)

TOPS05

Table ISUPTRK was introduced by functionality GR317/GR394 ISUP to/from TOPS, OSEA0005.

KP2TRUNK

Table name

NSC KP2 Trunk Groups Table

Functional description

Table KP2TRUNK enables the operating company to output pulse KP2 on specific trunk groups from a local or toll office. If a terminating office is able to receive the KP2 digit, the outgoing trunk group common language location identifier (CLLI) is datafilled in table KP2TRUNK to indicate that the trunk group can output pulse KP2 to the terminating office. Only outgoing or two-way trunks can be datafilled.

For related information, refer to table NSCDEFS.

Datafill sequence and implications

The following tables must be datafilled before table KP2TRUNK:

- CLLI
- TRKGRP

Table size

0 to 2000 tuples

Datafill

The following table lists datafill for table KP2TRUNK.

Field descriptions

Field	Subfield or refinement	Entry	Explanation and action
TRKGRP		alphanumeric (1 to 16 characters)	<p><i>Trunk group CLLI</i></p> <p>Enter the common language location identifier (CLLI) of the outgoing or two-way trunk groups enabled to output pulse KP2 to the terminating office.</p> <p>Datafill when subfield EAOSS in table TRKGRP is N.</p> <p>Note: Do not datafill if terminating office cannot receive KP2.</p>

Datafill example

The following example shows sample datafill for table KP2TRUNK.

KP2TRUNK (end)

MAP display example for table KP2TRUNK

TRKGRP

ITMF2

KSETFEAT

Table name

Business Set and Data Unit Feature

Functional description

Table KSETFEAT lists the line features that are assigned to the business sets and data units (DU) listed in table KSETLINE. This table also lists the line features that are assigned to the Meridian digital telephone sets and DUs listed in table IVDINV. One entry is required for each feature assigned to a keyset line.

Business sets

The definition of business sets includes M2009, M2112, M2018, M2317, M3000, M5009, M5112, M5018, and M5317 sets. The M3000 and M2000 series are completely digital sets that terminate on data line modules (DLM), whereas the M5000 series contains repackaged business sets for Meridian that terminate on line concentrating modules (LCM).

Data units

The definition of DUs includes Meridian asynchronous data option (MADO) and touch asynchronous data option (TADO). The TADO is referred to as a MADO in table control.

Meridian digital sets

The definition of Meridian digital telephone sets includes M2006, M2008, M2616, M2616CT, M2016S, M2216A, and M2216B. The definition of DUs includes the Meridian programmable data adapter (MPDA). The M0200 is the display module for specific Meridian digital telephone sets. The M0022 is the 22-key add-on module for this series of telephone sets.

When the display module is datafilled, key 8 is dedicated for use as a local program key. If the telephone set is equipped with the MPDA, this key is used to set parameters for data service.

ISDN sets

The definition of national integrated services digital network (ISDN)-2 (NI-2) sets includes the two B-channel fully initializing terminal (2BD FIT), and the two B-channel non-initializing terminal (2B NIT).

Feature characteristics and supported terminals

Table 'Feature characteristics and supported terminals' shows the features that are available, arranged in alphabetical order. The abbreviations and symbols used are explained below:

KSETFEAT (continued)

- E = ETSI
- ISDN terminal
- BS = business set
- DU = data unit
- S = set feature
- SS = subset feature
- CA = code access feature
- DN = directory number
- K = key feature
- M = Meridian digital telephone
- A = MADDO/TADO
- N = NI-2 terminal
- !* = not applicable to Multiple Appearance Directory Number (MADN) lines
- # = lamp not required
- + = can be assigned to individual DN appearances if not assigned to a vacant key
- % = valid only to the primary DN key, that is, key 1
- @ = valid only to the ACD INCALLS key, that is, key 1
- ~ = valid only for those DNs that have Call Forward Don't Answer assigned with the CFX feature
- > = valid only for switching units with the Separate Keylist feature
- 1 = works only if datafilled in table ETSIFEAT
- 2 = bypass any key assigned to packet mode data (PMD) on an ISDN integrated terminal (IT) with 2BD service

Feature characteristics and supported terminals (Sheet 1 of 10)

Features	E	BS	DU	S	SS	CA	DN	K	M	A	N
AT&T Line Study (SDY)		Y	Y				Y		Y	Y	
Additional Call Offering Unrestricted (ACOU)		Y			Y						Y
Additional Functional Calls (AFC)		Y			Y						N
Advanced Intelligent Network (AIN)		Y					Y		Y		
Advice of Charge (AOC)		Y					Y				
Agent Status Lamp (ASL)		Y						Y			
Alternate Service Provider (ASP)		Y		Y	Y	Y	Y	Y	Y		Y

KSETFEAT (continued)**Feature characteristics and supported terminals (Sheet 2 of 10)**

Features	E	BS	DU	S	SS	CA	DN	K	M	A	N
Anonymous Caller Rejection (ACRJ)		Y									
Auto Answerback (AAB)		Y							Y		%
Automatic Call Back (ACB)		Y	Y		Y	Y		Y	Y		Y
Automatic Call Distribution Not Ready (ACDNR)		Y			Y						@
Automatic Dial (AUD)		Y	Y					Y	Y	Y	
Automatic Display (AUTODISP)		Y			Y						
Automatic Line (AUL)		Y	Y				Y		Y	Y	
Automatic Recall (AR)		Y	Y			Y	Y		Y		Y
Basic Business Group ISDN (BBGI)							Y				Y %
Bearer Capability (BC)		Y	Y				Y		Y	Y	#
Bulk Calling Line Identification (BCLID)		Y					Y		Y		
Busy Lamp Field (BLF)		Y									
Call Complete to Busy Subscriber (CCBS)	Y				Y			Y	Y		# *
Call Completion on No Reply (CCNR)	Y				Y			Y			
Call Covering (CCV)		Y									
Call Forwarding (CFX)		Y			Y	Y			Y	Y	2
Call Forwarding per DN per Call Type (CFXDNCT)		Y			Y	Y					
Call Forward Busy (CFB)		Y	Y		Y	Y			Y	Y	>

KSETFEAT (continued)**Feature characteristics and supported terminals (Sheet 3 of 10)**

Features	E	BS	DU	S	SS	CA	DN	K	M	A	N
Call Forward Don't Answer (CFD)		Y	Y		Y	Y			Y	Y	>
Call Forward Don't Answer Variable Timer (CFDVT)		Y	Y				Y		Y	Y	~
Call Forward Fraud Prevention Override (CFFPOVR)		Y	Y	Y					Y		
Call Forward Timed for CFB		Y					Y		Y	Y	
Call Forward Timed for CFD		Y					Y		Y	Y	
Call Forward Universal Intragroup Fixed (CFUIF)		Y	Y		Y	Y			Y	Y	>
Call Park (PRK)		Y	Y	Y		Y			Y	Y	
Call Pickup (CPU)		Y	Y		Y	Y			Y	Y	#
Call Screening, Monitoring, and Intercept (CSMI)		Y	Y					Y			%
Call Transfer (CXR)		Y		Y					Y		#
Call Transfer ISDN pre-NI-2 (XFER)		Y		Y							Y #
Call Transfer ISDN NI-2 (TRANSFER)		Y		Y							Y #
Call Waiting (CWT)		Y			Y				Y		
Caller ID Delivery and Suppression (CIDS) Suppression (CIDSSUP)					Y	Y		Y	Y		
Caller ID Delivery and Suppression (CIDS) Delivery (CIDSDLV)					Y	Y		Y	Y		

KSETFEAT (continued)**Feature characteristics and supported terminals (Sheet 4 of 10)**

Features	E	BS	DU	S	SS	CA	DN	K	M	A	N
Calling Line Identification (CLI)		Y	Y				Y		Y	Y	
Carrier Toll Denied (CTD)		Y					Y		Y		
Circuit-Mode Data (CMD)											Y
Closed User Group (CUG)	Y				Y						1
Controlled Interflow (CIF)		Y			Y						
Customer-originated Trace (COT)		Y			Y	Y		Y			
Call Reference Busy Limit (CRBL)											Y
Connected Party Line Restriction (COLR)	Y										
Datapath Call Path Restoration (CPR)			Y								
Default Bearer Capability (DBC)											Y
Denied Incoming (DIN)		Y	Y				Y		Y	Y	
Deny Malicious Call Termination (DMCT)		Y		Y							#
Deny In-session Activation (DENYISA)		Y		Y	Y	Y	Y	Y	Y	Y	
Dial Call Waiting (CWD)		Y			Y				Y		
Direct Dialing In (DDI)		Y						Y			
Directed Call Park (DCPK)		Y		Y		Y			Y		
Display Agent Status Key (DASK)		Y			Y						

KSETFEAT (continued)**Feature characteristics and supported terminals (Sheet 5 of 10)**

Features	E	BS	DU	S	SS	CA	DN	K	M	A	N
Display Queue Status (DQS)		Y						Y			
Display Queue Threshold (DQT)		Y						Y			
Distinctive Ringing (DRING)		Y		Y							#
Do Not Disturb (DND)		Y	Y				Y		Y		*
Drop (DROP)		Y		Y							#
Emergency Key (EMK)		Y			Y						#
ETSI Call Waiting (CW)		Y					Y				
Executive Busy Override (EBO)		Y		Y		Y			Y		#
Executive Message Waiting (EMW)		Y						Y			#
Extended Call Management (ECM)		Y					Y		Y		* #
Fast Transfer (FXR)		Y		Y					Y		#
Flexible Calling (FC)		Y		Y							#
Flexible Station-controlled Conference (CNF)		Y		Y		Y			Y		
Forced Agent Availability (FAA)		Y						Y			
Group Intercom All Call (GIAC)		Y						Y	Y		
Hands-free Control (HF, MUTE, HFMUTE, SOFTKEY)		Y		Y					Y		
Inspect (INSPECT)		Y						Y			
Intercom (ICM)		Y						Y	Y		

KSETFEAT (continued)**Feature characteristics and supported terminals (Sheet 6 of 10)**

Features	E	BS	DU	S	SS	CA	DN	K	M	A	N
International Primary Carrier (INTPIC)		Y					Y				
In-session Activation (ISA)		Y		Y	Y	Y	Y	Y	Y		
ISDN BRI User to User Signaling (UUS1)							Y				
Key Short Hunt (KSH)		Y			Y	Y			Y	Y	2
Leave Message (LVM)		Y		Y							
Line of Business Code (LOB)		Y			Y				Y		
Local (LOCAL)		Y			Y				Y		
Local Service Provider Switch Owner (LSPSO)			Y								
Make Set Busy (MSB)		Y	Y	Y					Y	Y	+
Malicious Call Hold (MCH)		Y	Y	Y		Y			Y	Y	#
Malicious Call Identification (MCID)	Y				Y						1
Mediated Individual Telephony (MIPHONE)		Y							Y		
Meridian Business Set Camp-on (MBSCAMP)							Y		Y		
Message Waiting (MWT)		Y							Y	%	#
Message Waiting Indication (MWIDC)		Y		Y		Y					
(ETSI) Message Waiting Indicator (MWI)			Y				Y				
Message Waiting Query (MWQRY)		Y		Y		Y					

KSETFEAT (continued)**Feature characteristics and supported terminals (Sheet 7 of 10)**

Features	E	BS	DU	S	SS	CA	DN	K	M	A	N
Metering Origination Group (MOG)	Y	Y				Y		Y			Y
Multiple Appearance Directory Number Ring Forward Manual (MRFM)		Y						Y			
Multiple Music on Hold Line Option (LMOH)		Y		Y		Y					%
Multiple Station Message Waiting Indicators (MSMWI)											
Network Resource Selector (NRS)			Y							Y	
Night Service (NGTSRVCE)		Y						Y			
Number of Calls Allowed (NUMC)											N
Observe Agent (OBS)		Y						Y			
Originating Line Select (OLS)		Y		Y					Y		
Power Feature (PF)		Y				Y		Y	Y		#
Primary Inter-LATA Carrier (PIC)		Y					Y		Y		
Primary Intra-LATA Carrier (LPIC)		Y		Y		Y			Y		
Privacy (PRV)		Y		Y					Y		#
Privacy Change Allowed (PCA) CIDS (PCACIDS)					Y	Y					
Privacy Release (PRL)		Y		Y					Y		#
Private Business Line (PBL)		Y					Y		Y		

KSETFEAT (continued)**Feature characteristics and supported terminals (Sheet 8 of 10)**

Features	E	BS	DU	S	SS	CA	DN	K	M	A	N
Query Busy Station (QBS)		Y						Y			
Query Time and Date (QTD)		Y		Y							#
Quick Conference Key (QCK)		Y		Y				Y			
Random Make Busy (RMB)		Y	Y				Y		Y	Y	* *
Remote Message Indicator (RMI)							Y				+, % , ~
Requested Suspension (RSUS)		Y	Y				Y		Y	Y	
Reverse Charging (REV)	Y				Y	Y	Y	Y			
Ring Again (RAG)		Y	Y	Y					Y	Y	
Security Code (SEC)		Y					Y		Y		
Selective Call Forwarding (SCF)		Y	Y	Y					Y		
Set Based Monitoring of Multiple Appearance Directory Number (MADN) Single Call Arrangement (SCA) by Set Based Busy Lamp Field (SBLF)		Y		Y				Y			
Simultaneous Ringing (SIMRING)		Y					Y		Y		
Single Line Queue (SLQ)		Y			Y						
Special Billing Code (SPB)		Y	Y				Y		Y	Y	
Speed Calling Long List (SCL)		Y	Y	Y		Y			Y	Y	

KSETFEAT (continued)**Feature characteristics and supported terminals (Sheet 9 of 10)**

Features	E	BS	DU	S	SS	CA	DN	K	M	A	N
Speed Calling Short List (SCS)		Y	Y	Y		Y			Y	Y	
AT&T Line Study (SDY)		Y	Y				Y				
Station Message Desk Interface (SMDI)		Y					Y				
Station-Specific Authcode (SSAC)		Y	Y				Y		Y	Y	*
Stop Hunt (SHU)		Y	Y				Y		Y	Y	*
Subscriber-Activated Call Blocking (SACB)		Y				Y	Y		Y	Y	
Subscriber Line Usage (SLU)		Y	Y				Y		Y	Y	
Supervisor (SUPR)		Y									
Terminating Billing Option (TBO)		Y	Y				Y				
Terminating Line Select (TLS)		Y		Y					Y		
Three-way Calling (3WC)		Y		Y					Y		
Three-way Calling Public (3WC PUB)		Y		Y					Y		
Trunk Member Display (TRKDISP)		Y		Y				Y	Y		
Uniform Call Distribution Login (UCDLG)		Y						Y			
Uniform Call Distribution Signal Distribution Point (UCDSD)		Y					Y				
Voiceband Information (VI)											Y

KSETFEAT (continued)**Feature characteristics and supported terminals (Sheet 10 of 10)**

Features	E	BS	DU	S	SS	CA	DN	K	M	A	N
Voice Mail Easy Access Deny (VMEADENY)		Y		Y					Y		
Voice Mail Easy Access Directory Number (VMEADN)		Y		Y					Y		
Wake-up Call (WUCR)		Y		Y							
Warm Line (WML)							Y		Y		

Feature classifications

Features in table KSETFEAT are classified in the following categories:

Set features

Features in this category are assigned to a vacant key on the business set. Once assigned, these features are associated with all the DN appearances on the set.

Subset features

Features in this category are assigned to a vacant key on the set. These features are only associated with a subset of the directory appearances on the set specified in the DN keylist of the data entry.

Code access features

Features in this category can appear in either the set features or subset features. These features can be accessed by dialing a special code specified in table IBNXLA and therefore do not necessarily need assignment to a vacant key. They must be assigned to the primary DN (PDN) key, key 1.

Key features

These features have the same scope as set features, but they can have more than one key appearance on the set.

Directory number features

These features do not require a separate key on the set and are associated with individual directory number (DN) appearances. These features are assigned to the keys of the set with DN appearances.

Feature descriptions

A short description of each line feature follows. For datafill of each feature, refer to the previous table.

KSETFEAT (continued)

AT&T Line Study (SDY)

This feature is assigned to DN appearances that require the generation of an automatic message accounting (AMA) record for complaint observing (OBS), or line usage studies (LUS), or both. The AT&T local AMA (LAMA) code checks for these options in conjunction with the table AMAOPTS tuples OBSERVED, LUSORIG, and LUSTERM when determining whether LAMA processing is required for a particular call.

Additional Call Offering Unrestricted (ACOU)

By datafilling ACOU against a DN key, the subscriber receives additional calls on DN's with additional function call keys associated. The ACOU feature can be added to a single functional call (SFC) DN key on a basic rate access function set (BRAFS) terminal provided that the following conditions are met in table LTDEF: field LTMAP is set to B or BD, field LTCLASS is set to BRAFS, and field OPTION is set to EKTS. The DN must not be a member of a hunt group.

Additional Functional Calls (AFC)

This feature enables additional simultaneous functional signaling calls on a predefined SFC DN datafilled in table KSETLINE. This feature is valid only for ISDN functional logical terminals. This feature is disallowed for NI-2 sets.

The AFC feature allows multiple originations and terminations of calls from and to the same SFC. A maximum of five simultaneous functional calls (four AFC plus one SFC) are allowed for each DN. Up to 64 SFC DN's are allowed on each logical terminal.

A maximum of four AFC keys can be assigned to each SFC DN. AFC must be assigned in sequence to keys directly above each DN key to form groups of contiguous AFC group. AFC keys must be deleted in descending order.

When the SFC DN is deleted from table KSETLINE, all AFC keys associated with the SFC DN are automatically deleted.

Advanced Intelligent Network (AIN)

AIN is an evolving, service-independent system that provides telephone operating companies with the ability to quickly create and modify telecommunications services for their subscribers.

This feature allows individual telephone operating companies to quickly create and modify telecommunication services to their subscribers. Table KSETFEAT allows AIN to be assigned on electronic business sets (EBS), Meridian feature transparency (MFT), and ISDN basic rate interface (BRI) terminals.

KSETFEAT (continued)

The option AINDENY provides a way of excluding individual lines from triggering for:

- particular trigger item IDs of PFC or SFC trigger types
- all group-subscribed trigger items of PFC or SFC trigger types

Advice of Charge (AOC)

AOC enables ISDN BRI and PRI subscribers to be informed of the number of charge units they incur for a call either during (using the AOCD sub-option) or at the end (using the AOCE sub-option) of a call.

In addition, Advice of Charge enables telephone operating companies to apply various tariffs and discounts to basic service (BS) originations on basic rate interface (BRI) and primary rate interface (PRI) loops. The calculation of tariffs and discounts is based on several factors including the type or class of originator, the number called, the network used to route the call and the time of day or day of the week.

The sub-option AOCREL specifies whether or not to release the call should system resources be unavailable. Finally, AOCCHGOV specifies whether or not to apply tariff changeovers to calls that are in progress.

Agent Status Lamp (ASL)

This feature is assigned to a key-lamp pair on an Automatic Call Distribution (ACD) supervisor's business set to enable the supervisor to monitor the status of the agent position. Currently, the key is not used. The lamp is updated whenever the status of the agent changes.

Before datafilling ASL, the supervisor (SUPR) feature must be assigned as key 1 on the supervisor set.

If the status of the secondary directory number (SDN) is monitored, the monitored key must be specified in field ASLSDN. One datafillable SDN on the main set of an ACD agent position can be monitored. Valid keys are 2 to 8. Activity on the SDN is monitored at all times.

If an agent is active on a call on the SDN, the ASL on the supervisor set is ON, regardless of whether or not the agent is logged in as an ACD agent. This is a key feature, that is, more than one key and lamp can be assigned this feature.

A maximum of 48 keys on a supervisor's set can be assigned this feature (with add-on units attached to supervisor's set) since it can be assigned only to keys with an associated lamp. Each ASL lamp indicates the status of an agent position.

KSETFEAT (continued)

All monitored ASL agent positions must be in the same customer group as the supervisor.

The states of an agent status lamp have the following meanings:

- OFF: The agent position is not staffed (Make Set Busy [MSB] lamp is on).
- ON: The agent is handling an ACD call.
- FLASH: The agent is idle and waiting for an ACD call.
- WINK: The agent is busy with post-call work (Not Ready lamp is on).

The AGT (agent) key uses the datafill for the ASL feature, and is automatically assigned when the ASL feature is assigned. The lamp associated with the AGT key reflects the status of the agent. Each AGT key is associated with only one agent and can be assigned only to one supervisor set at a time. Each supervisor can have a maximum of 48 AGT keys for 48 different agents.

The AGT key feature enhances the Call Agent (CAG) and Observe Agent (OBS) features by reducing the dialing requirements.

The Make Set Busy override (MSBOVRD) option gives the supervisor the capability to override MSB at an agent position when the call is placed using the CAG and AGT keys.

If a call is placed to an agent by dialing the agent SDN, no check is made for MSBOVRD.

One SDN of an ACD agent position can be monitored if field ASLDN specifies the SDN.

Alternate Service Provider (ASP)

This feature enables call completion services invoked by ISA or AMMSG to be provided by an alternate service provider, which is the service provider of the end user's choice.

Anonymous Caller Rejection (ACRJ)

This feature is classified as a Residential Enhanced Services (RES) feature.

This feature prevents termination of anonymous calls to a subscriber's line by routing these calls to an announcement. Feature ACRJ can be assigned to lines with or without display features. For lines with display features, an incoming call is anonymous if all the associated display information on the call has been blocked by the calling party.

KSETFEAT (continued)

If the incoming call has any of the display information available, the call is delivered with that information. For lines without a display feature, an incoming call is anonymous only if all available display information on the call has been blocked by the calling party. The ACRJ feature applies only to calls for which the available display information has been intentionally blocked by the calling party.

Auto Answerback (AAB)

This feature enables automatic answering after a ringing duration of 4 s for any incoming call to the primary DN (PDN) of the set equipped with a hands-free unit with an auto answerback applique circuit.

This feature can be assigned to a vacant key and lamp pair to activate or deactivate feature AAB. If this feature is not assigned to a key, it must be assigned to the PDN key (key 1). The set then has AAB permanently activated.

Automatic Call Back (ACB)

The ACB feature enables the user to redial the destination party from the last outgoing call. The DN used is stored in the outgoing call memory. To activate the ACB feature, each member of a MADN group must be explicitly datafilled with the ACB feature because one member is not usually aware of another member's outgoing call.

The ACB feature is supported on ISDN BRI terminals.

The non-ISDN ACB feature can only be activated by code access and can be assigned only to key 1 with a keylist of keys that have ACB. ISDN ACB can be activated either by code access or by pressing a toggle key.

ISDN ACB is incompatible with the following MADN variants: CACH (call appearance call handling), EXB (extension bridging), and MCA (multiple call arrangement). ISDN ACB is compatible with MADN SCA (single call arrangement).

In NA008 the ISDN idle notification trigger condition is enhanced. The enhancement is based on the notification busy condition for each separate call type. The enhanced trigger occurs when the notification busy condition is cleared, and then notifies the ACB feature.

Automatic Call Distribution Not Ready (ACDNR)

This feature makes the ACD INCALLS key temporarily unavailable to receive ACD calls, and also releases an answered ACD call by depressing the ACDNR key. This feature is normally used when an agent needs time between calls to finish a transaction.

KSETFEAT (continued)

This feature imposes no restrictions on any of the SDNs on the ACD position. While the ACDNR feature is active, calls can be originated or terminated on any of the ACD position's SDN.

This feature is activated or deactivated by pressing the ACDNR key. When the ACDNR lamp is on, the feature is active; when the lamp is off, it is inactive.

Automatic Dial (AUD)

This feature enables dialing of frequently called numbers by pressing feature keys assigned AUD. Each key is programmed with the required number. This is a key feature, that is, more than one key can be assigned with this feature.

To assign or change the number stored against the key, an idle DN is selected and put on hold. The programming mode is initiated by pressing the AUD key and the desired number can then be dialed. To exit from the programming phrase, press the AUD key a second time.

The octothorpe (#) can be used as a last digit flag but is not stored. If the stored number is deleted, the octothorpe (#) is the only digit keyed in.

If the star (*) is used as a last digit flag, it means that the number stored is a partial number.

Direct distance dialing (DDD), direct dialing overseas (DDO), local, or operator-assisted numbers can be assigned to AUD keys.

The following formulas are the types of number-stored keying sequence:

- station number AUD + 23456 + AUD
- local captive office AUD + 9 + 7D + AUD
- DDD AUD + 9 + 1 + 7/10D + AUD
- DDO AUD + 9 + 011 + 7/12D + AUD
- number delete AUD + # + AUD
- local tandem AUD + 1 + 5D + AUD
- account code AUD + 12345 + AUD
- partial number AUD + 9 + 1/6D + * + AUD

To make a call using the stored number, the call selects an idle DN. When dial tone is received, the caller presses the AUD key associated with the desired number stored. The call proceeds as if normal digits are dialed.

KSETFEAT (continued)

Automatic Display (AUTODISP)

This feature provides the automatic presentation of incoming call information (calling name, number) on the display of Meridian business sets (MBS) as calls are presented to the set.

If the set is already active with a call in the talking state when a new call terminates, then the new incoming call information overwrites the display information for the currently active call. After a datafillable time, the display is restored to show the still-active original call.

This capability can be applied to a subset of the main set's DN keys plus the Call Waiting, Automatic Line (AUL), and Group Intercom (GIC) keys. Feature AUTODISP is available only on electronic business sets (EBS) with display, the M5209 and the M5312 EBS sets.

Automatic Line (AUL)

When an off-hook state is reported from a line with feature AUL, a connection is made to a predetermined location. This predetermined location can also be served by the switching unit, or it can involve outpulsing.

Pause insertion in the terminating number is not possible. Feature AUL is a DN feature and is assigned to keys of DN appearances that require this feature.

Automatic Recall (AR)

The AR feature allows the user to redial the incoming party from the last incoming call. The DN used is stored in the incoming call memory (ICM). The AR feature can be assigned only to the primary member of MADN groups. The ICM for the MADN group is only associated with the primary member. Once assigned, all members of the group can activate the AR feature.

The AR feature is supported on ISDN BRI terminals.

The AR feature (both non-ISDN and ISDN) can be activated only by code access and can be assigned only to key 1 with a keylist of keys that have the AR feature.

ISDN AR is incompatible with the following MADN variants: CACH (call appearance call handling), EXB (extension bridging), and MCA (multiple call arrangement). ISDN AR is compatible with MADN SCA (single call arrangement).

In NA008 the ISDN idle notification trigger condition is enhanced. The enhancement is based on the notification busy condition for each separate call type. The enhanced trigger occurs when the notification busy condition is cleared, and then notifies the AR feature.

KSETFEAT (continued)

Basic Business Group ISDN (BBGI)

This feature applies to ISDN BRI lines only. The BBGI feature allows operating companies to produce AMA records for ISDN basic business group (BBG-I) facilities and services. The operating companies can produce AMA records for the office, customer group, or each line. Operating companies can create AMA records for three BBG-I BRI capabilities as follows:

- Intercom dialing—records for station-to-station or intra-BBG ISDN calling
- Public network access—records for calls within a BBG-I to points in the public network for station-originated calls
- Private facility, network access—records for calls that originate on and terminate to BBG-I private facilities

The BBGI feature also produces AMA records when a virtual facility group (VFG) for public or private access overflows.

Bearer Capability (BC)

This feature defines the type of bearer service that can be accessed by a user. For example, a user of a 500/2500 set has access to voice services, and the user of an ISDN terminal can have access to several different services. Each service requires a specific BC.

This feature provides call screening between stations in both the Integrated Business Network (IBN) and ISDN environments based on bearer capability and low layer compatibility. This includes members of MADN groups, ISDN terminal short hunt groups, and hunt groups.

Bulk Calling Line Identification (BCLID)

This feature enables DN lines in the customer community of interest with inward dial plan to receive call-related information on incoming calls. A community of interest is defined as a group of lines belonging to a BCLID group. Each BCLID group can contain any combination of single lines, Uniform Call Distribution (UCD) groups, or hunt groups.

BCLID records are always generated for calls originated outside the BCLID group. BCLID records are also generated for calls originated inside the subscriber's BCLID group if field INTRAGR of table BCLIDGRP is set to Y (yes).

The transmitted information consists of the date and time the call was received, the calling and called DNs, the called line status (busy or idle), the calling line type (unique or non-unique), and a call forward indicator (yes or no).

KSETFEAT (continued)

The data is transmitted to the customer premises equipment (CPE) by one or more dedicated Bell 202A compatible data channels. The line card codes that support BCLID data links are 6X17, 6X18, 3A06, and SCD203. The BCLID data links are available only in peripheral modules (PM) that support the class modem resource (CMR) card. Currently, the supporting PMs are: line group controller (LGC), line trunk controller (LTC), remote cluster controller (RCC), subscriber carrier module-100S (SMS), and subscriber carrier module-100 urban (SMU). BCLID data links are not supported by an RCC operating in emergency stand-alone (ESA) mode.

Restrictions on calling number delivery are:

- Delivery of calling party number is denied if the suppress option is assigned either against a group of DNs that include the calling party number in table DNGRPS or against the calling party itself in table DNATTRS, for the network (public, private) with which the call is associated.
- Delivery of calling number can be blocked by the Calling Number Delivery Blocking (CNDB) feature.
- On calls incoming over ISDN user part (ISUP) trunks, delivery of calling party number can be denied by the presentation indicator field in the calling party number parameter found in the initial address message (IAM) received from the trunk. This indicator is determined at the originating office and transmitted to the terminating office in the IAM.
- On calls incoming over primary rate interface (PRI) trunks, delivery of calling party number can be denied by the presentation indicator field in the calling party number information element found in the SETUP message received from the trunk. This indicator is determined at the originating office and transmitted to the terminating office in the SETUP message.

Busy Lamp Field (BLF)

This feature (also known as Direct Station Select) enables business set users to monitor station status of a DN and direct dialing to the monitored station through a designated key.

This feature provides the following capabilities:

- Busy lamp field: enables business set users to monitor station status of a DN through the use of a lamp.
- Direct station select: enables direct dialing to a monitored DN by the feature key.

KSETFEAT (continued)

This is a key feature and must be assigned to a vacant key equipped with a lamp. The lamp is turned off when the monitored DN is idle, and turned on when the monitored DN is active, busy on a call, or when there is physical ringing on the DN.

When the lamp indicates that the monitored DN is idle, the user can call the DN by pressing a DN key and then the BLF key associated with the monitored DN. Similarly, the user can transfer a call by pressing the Three-way Call (3WC) key. After a special dial tone is received, the user can press the BLF key.

The monitored DN can be a 500/2500 set, business set, or an ISDN set. It must be in the same customer group and in the same node (switch) as the PDN of the monitoring set.

Call Complete to Busy Subscriber (CCBS)

This feature enables a basic rate interface (BRI) or primary rate interface (PRI) subscriber originating a call to a busy destination to be informed that CCBS is available. If the originator then selects the CCBS service, the network monitors the destination until it becomes free.

When the destination becomes free, the network waits for a predefined period, allowing the destination to make a call if they so wish. If, after this pre-defined period the destination is still free, the network automatically recalls the originator. When the originator accepts the recall, the network generates a CCBS call to the destination and the call is completed.

Call Completion on No Reply (CCNR)

The ETSI Call Completion on No Reply (CCNR) supplementary service applies when a user A calls a user B and the call is not answered. In this case, CCNR allows the call to be completed without a new call attempt by user A.

When user A calls the number of user B, but user B does not answer the call (No Reply), user A can request the CCNR supplementary service

- during the time that user B is being informed of the call
- during the T-RETENTION time after A has gone on-hook

When user B again becomes available, the network waits for the time specified by the idle guard timer (T-CCBS4) to allow time for user B to originate another call. If user B does not originate a call in this time, the network automatically recalls user A. When user A accepts the CCNR recall, the network automatically generates a CCNR call to user B.

KSETFEAT (continued)

Call Covering (CCV)

Call covering allows the covering station to leave a message for the base station on behalf of the calling party. The base station then returns the call to the calling party directly. This feature is available only to MADN secondary members covering calls for the primary member. This feature must be assigned to a key with a lamp.

Call Forwarding (CFX)

This feature enables a subscriber to have incoming calls to a station automatically forwarded to a predetermined telephone number. The station corresponding to the dialed number is referred to as the base station. The number to which calls are forwarded is referred to as the remote station.

In NA008 an NI-2 set DN can have calls forwarded on a call type basis. For example, a voice call can be forwarded to a different remote than a circuit switched packet call. This applies to all types of call forwarding.

Feature ISDN PKT shared DN (AF6777) and feature ISDN PKT single DN (AF6782) will allow the CFX feature to be provisioned on integrated terminals (IT). ITs with voice information (VI) circuit mode data (CMD) and packet mode (PMD) call types can share the same DN using different keys. A DN can only be datafilled as shared if SOC option NI000051 is on. Feature CFX is only applicable to the circuit switched (CS) VI CMD call types. The following table control rules for CFX on shared ISDN ITs provisioned for the two B-channel one D-channel (2BD) feature apply:

- CFX feature can be added to CS keys.
- CFX feature can be changed on CS keys.
- CFX feature can be deleted from CS keys

Attempting to add the CFX feature to a IT key that has PMD assigned will generate the following warning.

Warning: CFX - CALL FORWARDING FEATURE IS ONLY ASSIGNED TO CIRCUIT KEYS IN KEYLIST.

Note: For more information about DN CALLTYPE sharing, see subfield OPTION in table HUNTGRP and feature AF6782 in the Feature Description Manual.

Feature Call Forwarding consists of the following variants:

- Call Forward Busy (CFB)
- Call Forward Don't Answer (CFD)

KSETFEAT (continued)

- Call Forward Intragroup (CFI)
- Call Forward Universal (CFU)
- Call Forward Fixed (CFF)

CFF permits stations to forward calls only to locations that are datafilled. Subscribers are unable to program the forwarding number.

CFI permits stations to forward calls only to customer-defined locations within the customer group programmable at activation time. This is done by setting an intragroup flag for the appropriate routes.

CFU permits stations to forward calls to user-defined locations inside and outside the customer group, including the attendant, programmable at activation time. If the station is assigned feature CFU, feature CFI is included.

Variant CFF can only be activated or deactivated using a feature access code and it cannot be assigned to a vacant key.

Features CFU and CFI enable the forwarding of calls to destinations defined by users during activation. Feature CFF only allows forwarding of calls to a predefined number initially entered and changed by the operating company and does not allow entering of user programmable numbers.

When the switching unit has the separate keylist feature, that is, office parameter CFX_SEPARATE_KEYLIST_FEATURE in table OFCENG is Y (yes), then data entered using the CFX feature is split into Call Forward Universal Intragroup Fixed (CFUIF), Call Forward Busy (CFB), and Call Forward Don't Answer (CFD) components to allow each type to have a different keylist. Subsequent changes to the data must be made to the individual CFUIF, CFB, and CFD tuple. CFX can only be used to enter data but not to change it. CFUI, CFB, and CFD can be used to enter data as well as to modify it.

The following information applies to CFF, CFI, CFU per key (CFK), and CFU.

The remote station to which calls are forwarded can also have activated call forwarding. In this case, the forwarded call may again be forwarded to the next remote station. Within the switching unit, up to five call forwards are permitted. If the sixth station has activated call forwarding, the caller hears a busy tone.

If two or more users set up a call forwarding loop (that is, A to B, B to C, and C to A or B) then any call coming into the loop receives a busy tone.

KSETFEAT (continued)

Lines with CFF, CFI, or CFU can be assigned a Call Forwarding—Remote Access (CFRA) feature, which enables a line to activate or deactivate call forwarding from a remote location by dialing the direct inward system access (DISA) DN and the CFRA authorization code.

Originators of incoming calls that are forwarded are unaware that call forwarding is in effect. When call forwarding is active, the base station's ability to originate calls is unaffected. This includes the ability to pick up calls.

If the base station has activated call forwarding to service codes (N11), operators (555-1212), test lines, or similar facilities, such calls are not forwarded but are given blank DN treatment.

If the base station has activated call forwarding to itself, the caller hears a busy tone. Station restrictions applicable to the remote station still apply. For example, if the remote station is restricted from receiving direct inward dial (DID) calls, such a call is not forwarded and the caller receives a busy tone.

All call forwarding activation and deactivation is recorded in the event that an office reload is required. Each time an activation or deactivation is completed, the DMS switch records the change in the journal file. If the journal file is not available, a log message is written to the system's hard copy terminal. Log CFW101 is generated each time an activation is recorded; log CFW103 is generated each time a deactivation is recorded. For further information on logs, refer to the *Log Reports Reference Manual*.

If call forwarding has been activated, a 500-ms ring splash is applied to the base station (if idle) each time a call is forwarded. The call cannot be answered by the base station. Ring splash serves as a reminder that the Call Forwarding feature is still activated. If the base station goes off-hook at any time, it receives dial tone.

If the base station number is dialed from the base station while CFU or CFI is active, the call is forwarded to the remote station.

When call forwarding is active, appropriate station message detail recording (SMDR) entries are made for any calls that are forwarded. These features can be activated only by the base station.

Confirmation tone in the following description informs the user that DMS has stored the number as dialed. It does not imply that the number is valid. Number validity is determined only at the time DMS-100E switch actually attempts to forward a call.

KSETFEAT (continued)

To activate the feature, the base station goes off-hook and dials the activation code assigned to call forwarding. The station receives special dial tone.

The station then enters the number to which calls are forwarded. This can be from 1 to 30 digits if the station has feature CFU, and from 1 to 7 digits if the station has feature CFI.

The DMS-100E switch then returns confirmation tone to inform the user that the call forwarding number has been stored as dialed.

The activation code dialed to activate call forwarding is the same for CFI and CFU. This can be any two- or three-digit code (typically 1XX) or it can be a function code (plus two digits).

While the Call Forwarding feature is active, if the base station dials the activation code it receives the reorder tone. The base station can then check the status of call forwarding.

To change the call forwarding DN, the base station must first deactivate call forwarding.

To deactivate call forwarding, the base station dials the deactivation code. The deactivation code is the same for CFI and CFU. This can be any two- or three-digit code (typically 1XX) or it can be a function code (plus two digits). Confirmation tone is returned regardless of whether CFI or CFU is active.

The activation and deactivation codes are assigned in table IBNXLA.

If the base station also has feature Call Waiting, the feature is disabled for the duration that call forwarding is active. The same applies to the Attendant Camp-on feature. Call forwarding to the attendant is deactivated while Night Service is active. While deactivated, calls to the base station cause ringing of the station until the call is answered, abandoned, or the ringing times out. When daytime service is restored, call forwarding to the attendant applies again.

Features CFI or CFU can be assigned to hunting DN and, when active, take precedence over hunting.

The remote station number for CFI or CFU can be a hunt group.

The Speed Calling feature can be used to enter the remote number to activate call forwarding.

KSETFEAT (continued)

Call Forward Busy (CFB)

Data entered using feature CFX is split between the CFUIF, CFB, and CFD components. Any subsequent changes to the CFB part can only be modified using CFB and not CFX. CFB can also be used to enter data.

Options SIMULT and SCREEN, which are available for CFB, are defined in the CFUIF component. See features CFUIF and CFX for details.

If the called station is busy, all calls are forwarded to a predefined station inside or outside the customer group. Call forwarding can be assigned only in switches that have the office parameter IBN_CFW in table OFCOPT set to Y.

If the switch has the separate keylist feature, that is, if office parameter CFX_SEPARATE_KEYLIST_FEATURE is Y in table OFCENG, data entered using feature CFX are split up into CFUIF, CFB, and CFD components, allowing each call forwarding variation to have a different keylist.

Feature CFB is available only if the switch has the separate keylist feature that allows the CFB feature to have a separate keylist.

CFB has the following three variants as controlled by field CFBCNTL:

- N (default) Assignment of CFB 1- to 24-digit forward-to DN is controlled by operating company datafill. The user always has CFB activated.
- F (fixed) Assignment of CFB 1- to 24-digit forward-to DN is controlled by operating company datafill. The user can activate or deactivate CFD by dialing the access codes assigned in table IBNXLA.
- P (programming) The user can activate or deactivate CFB by dialing the access code assigned in table IBNXLA. The forward-to DN is supplied by the user every time he activates CFB. Calls are forwarded to the remote station when the base station is busy.

The following eight options exist for feature CFB:

- N If the base station is busy, the call is forwarded to the remote station within the customer group. This option includes all calls (incoming DID, EPSCS, tie trunk, and intragroup calls).
- CBE (Call Forward Busy external deny) This option prevents the forwarding of external (outside the customer group) calls on certain applications where a high proportion of the incoming calls are of external origin. This prevents the remote station from being flooded with external calls.

KSETFEAT (continued)

- **CBI** (Call Forward Busy intragroup deny) This option prevents the forwarding of intragroup calls. If a high proportion of the incoming calls are of intragroup origin, this option prevents the remote station from being flooded with intragroup calls. Calls are forwarded only to remote stations within the customer group.
- **CBU** (Call Forward Busy unrestricted) This option allows calls to be forwarded to remote stations outside the customer group.
- **CBECBU** (Call Forward Busy external deny unrestricted) This option allows calls to be forwarded to remote stations outside (unrestricted) the customer group. This option is not supported with option CFXDNCT.
- **CBICBU** (Call Forward Busy intragroup deny unrestricted) This option allows calls to be forwarded to remote stations outside (unrestricted) the customer group. This option is not supported with option CFXDNCT.
- **IECFB** (internal external Call Forward Busy deny) This option is similar to the N option where internal (inside the customer group) and external (outside the customer group) originated calls are forwarded to different remote stations within the customer group. This option is not supported with option CFXDNCT.
- **IECFBCBU** (internal external Call Forward Busy unrestricted) This option is similar to the IECFB option where internal (inside the customer group) and external (outside the customer group) originated calls can be forwarded to different remote stations outside (unrestricted) the customer group.

Calls are not forwarded in the following cases:

- The call is of intragroup origin and the base station has the CBI option.
- The call has an external origin and the base station has the CBE option.
- Remote station is attendant and Night Service is in effect.
- Forward number is not an intragroup number feature and base station does not have the unrestricted feature.

For any of the above conditions, the caller hears a busy tone.

Calls are forwarded in the following cases if forward number is intragroup:

- The number routes to intragroup tie trunk or other intragroup route.
- The number routes to a hunt group.
- The number routes to a station that does not have the Denied Originating (DOR), Denied Terminating (DTM), Suspended (SUS), or Plug Up options assigned in table IBNLINES.

KSETFEAT (continued)

Call Waiting (CWT) and CFB are compatible features with CWT taking precedence over CFB. The first call to a busy station with both CWT and CFB is call waited. Subsequent calls are forwarded to the CFB DN.

If the base station activates CFI or CFU, these features take precedence over feature CFB.

If the remote base station activates feature CFU, the call is not forwarded if the base station does not have the unrestricted option. CFB calls must stay within the customer group without the unrestricted option.

Note that calls can be lost, since the option permits CFB to intragroup DNs that are served by other private branch exchanges (PBX). The caller is subjected to whatever features the remote PBX does or does not support.

Feature CFB cannot be assigned to hunt groups.

When the Night Service feature is active, CFB to the attendant is deactivated. It is reactivated when daytime service is restored.

Attendant Camp-on and CFB are compatible features as follows:

- If the attendant extends a call to a busy station, camp-on applies. If a call is already camped on, the attendant hears reorder tone. The CFB feature does not apply. Camped-on calls are subject to the Automatic Recall feature.
- If the attendant originates a call to a busy station, feature CFB applies unless the forward DN is back to the attendant. Camp-on does not apply to attendant-originated calls.

A maximum of five forward loops are supported within the switching unit, after which the caller hears busy tone.

If a closed loop is detected, for example, A to B, B to C, and C to A or B, the switching unit returns busy tone. The call is not forwarded from C to A or B.

Incoming callers are not aware of feature CFB within the switching unit. This does not apply if the CFB DN is served by another PBX.

Timers do not apply to the CFB feature.

The CFB DN can be from 1 to 24 digits.

When a call is made to a busy line with CFB, and the line that the call has been call forwarded to is also busy, then the Executive Busy Override (EBO) feature

KSETFEAT (continued)

can be activated on the first called party. If the original called party is the member of a MADN group, the request is disallowed and the station with the EBO feature receives a reorder tone.

If an IBN station forwards a call by CFB, CFD, or CFI over an intragroup trunk to a station that activates Call Forward Universal to an outside DN, the call is forwarded outside the customer group. If the incoming trunk is in the customer group and the intragroup flag is set in the trunk group data, then the call is forwarded.

Specify one of the following options for the CFU, CFI, and CFF features:

- CFF: Call Forward Fixed only
- CFI: Call Forward Intragroup only
- CFU: Call Forward Universal only
- N: neither Call Forward Universal nor Intragroup

Specify one of the following options for the CFB or CFD feature:

- CFBD (both Call Forward Busy and Don't Answer). The 1- to 24-digit DN to which calls are forwarded must be provided, and whether to intragroup or external (outside the customer group) originated calls from Call Forward Busy are excluded. Specify whether or not calls can be forwarded to stations outside the customer group (unrestricted) if station is busy. Specify whether to exclude intragroup or external (outside the customer group) calls from Call Forward Don't Answer. Specify whether calls can be forwarded to stations outside the customer group (unrestricted) if station does not answer.
- CFB (Call Forward Busy). The 1-to 24-digit DN to which calls are forwarded must be provided. Specify whether to exclude intragroup or external (outside the group) originated calls from Call Forward Busy. Specify whether the call can be forwarded to stations outside the group (unrestricted).
- CFD (Call Forward Don't Answer) The 1- to 24-digit DN to which calls are forwarded must be provided. Specify whether to exclude intragroup or external (outside the group) originated calls from Call Forward Don't Answer. Specify whether the call can be forwarded to stations outside the group.
- N (neither Call Forward Busy nor Don't Answer). This is a subset feature and can be assigned to a subset of the DN appearances specified in the keylist. This feature can also be assigned as a code access feature. This feature is assigned to a set key only if the Call Forwarding Universal or Intragroup features or both are desired, as these are programmable. If only

KSETFEAT (continued)

the non-programmable Call Forwarding Don't Answer or Busy or both are desired, assign it using the set's primary DN key.

The maximum number of IBN lines allowed to have call forwarding in SL-100 and DMS-100 switches are 24 000 and 32 000 respectively.

Call Forward Don't Answer (CFD)

This feature is available only if the switching unit has the separate keylist feature, that is, office parameter CFX_SEPARATE_KEYLIST_FEATURE is Y in table OFCENG. The separate keylist feature allows the CFD feature to have a separate keylist.

If the called station does not answer within a prescribed time, the incoming call is automatically routed to another designated station or to the attendant. The answer time-out interval is specified in field CFDATO of option CDDATIM in table CUSTSTN if the set does not have the Call Forward Don't Answer Variable Timing (CFDVT) feature.

The maximum number of CFDs at one time depends on the availability of software resources that are provided by the office parameters FTRQAGENTS, NO_OF_FTR_CONTROL_BLKs, NUMCPWAKE, NO_OF_SMALL_FTR_DATA_BLKs, NO_OF_MEDIUM_FTR_DATA_BLKs, NO_OF_LARGE_FTR_DATA_BLKs, CFW_EXT_BLKs, and FTRQ2WAREAS in table OFCENG.

Data entered using feature CFX is divided among the CFUIF, CFB, and CFD components. Any subsequent changes to the CFD part can only be modified using feature CFD and not CFX. Feature CFD can also be used to enter data.

Options SIMULT and SCREEN, which are available for CFD, are defined in the CFUIF component. See feature CFUIF and CFX for details.

For feature CFD, the DN is assigned to the set through datafill by the operating company. There are only two possibilities for the set: CFD always activated or no CFD at all.

KSETFEAT (continued)

Feature CFD has three variants as controlled by field CFDCNTL:

- N (default) Assignment of CFD 1- to 24-digit forward-to DN is controlled by operating company datafill. The user always has CFD activated.
- F (fixed) Assignment of CFD 1- to 24-digit forward-to DN is controlled by operating company datafill. The user can activate or deactivate CFD by dialing the access codes assigned in table IBNXLA.
- P (programming) The user can activate or deactivate CFD by dialing the access code assigned in table IBNXLA. The forward-to DN is supplied by the user every time the CFD is activated.

The following eight options exist for feature CFD:

- N (default) If the base station does not answer within the prescribed time, the call is forwarded to the remote station within the customer group. This option includes all calls (incoming DID, EPSCS, tie trunk, and intragroup calls).
- CDE (Call Forward Don't Answer external deny) This option prevents the forwarding of external (outside the customer group) calls on certain applications where a high proportion of the incoming calls are of external origin. This prevents the remote station from being flooded with external calls. Calls are forwarded only to remote stations within the customer group.
- CDI (Call Forward Don't Answer intragroup deny) This option prevents the forwarding of intragroup calls. If a high proportion of the incoming calls are of intragroup origin, the remote station is not flooded with intragroup calls. Calls are forwarded only to remote stations within the customer group.
- CDU (Call Forward Don't Answer unrestricted) This option enables call forwarding to remote stations outside the group.
- CDECDU (Call Forward Don't Answer external deny unrestricted) This option enables calls forwarding to remote stations outside (unrestricted) the customer group. This option is not supported with option CFXDNCT.
- CDICDU (Call Forward Don't Answer intragroup deny unrestricted) This option enables calls forwarding to remote stations outside (unrestricted) the customer group. This option is not supported with option CFXDNCT.
- IECFD (internal external Call Forward Don't Answer deny) This option is similar to the N option where internal (inside the customer group) and external (outside the customer group) originated calls are forwarded to

KSETFEAT (continued)

different remote stations within the customer group. This option is not supported with option CFXDNCT.

- IECFDCDU (internal external Call Forward Don't Answer unrestricted) This option is similar to the IECFD option where internal (inside the customer group) and external (outside the customer group) originated calls can be forwarded to different remote stations outside (unrestricted) the customer group. This option is not supported with option CFXDNCT.

Calls are not forwarded in the following cases:

- The call is of intragroup origin and the base station has the CDI option.
- The call is of external origin and the base station has the CDE option.
- The remote station is attendant and feature Night Service is in effect.
- The base station does not have the unrestricted option and the forward number is not an intragroup number (remote station has activated call forwarding outside the group or features LOD [line overflow to a DN] or LOR [line overflow to a route] result in forwarding outside the group).

Calls are forwarded in the following cases if forward number is intragroup:

- The number routes to intragroup tie trunk or other intragroup route.
- The number is to a hunt group.
- The number is to a station that does not have the Denied Terminated (DTM), Denied Originating (DOR), Suspended (SUS) or Plug Up options assigned in table IBNLINES.
- Remote station is idle. If remote station also has feature CFD or CDI it is rung for the answer time-out interval before being forwarded again subject to the same restrictions.
- Remote station is busy and it has feature Call Waiting and a call is not already waiting, or it has feature Call Forward Busy.

If a line is assigned both the CFD and CFB features, the remote DN can be the same or different for both features.

If CFI or CFU is active, it takes precedence over any other CFX feature variants assigned to the base station. If a CFD call without the unrestricted option (to intragroup lines destinations only) is forwarded to a remote station and the remote station has activated call forwarding outside the customer group, the call is not forwarded but continues to ring on the base station. CFD calls without unrestricted option must stay within the defined customer group.

KSETFEAT (continued)

The remote station can be served by another PBX if the outgoing route is intragroup. The call, once forwarded outside the switching unit, is subject to whatever features that PBX supports.

Feature CFD applies to attendant-originated calls unless the forward DN is to the attendant. This feature does not apply to attendant extended calls which are subject to automatic Attendant Recall.

A call to a busy station with feature Call Waiting is call waited. Feature CFD does not apply to busy lines.

A maximum of five call forwards within the switching unit is permitted. The call continues to ring the fifth station. CFD cannot be assigned to hunt groups.

Feature CFD is subject to class of service restrictions. If the remote station is not permitted to receive the type of call forwarded, the call rings the base station until answered or abandoned.

CFD to the attendant only applies to daytime service. Under feature Night Service, the call continues to ring the base station.

Assignment of an incoming call identification (ICI) to feature CFD on the console is not a condition for forwarding such calls to the attendant.

If a closed loop is detected (for example, A to B to C to A or B), the call continues to ring on C. It is not be forwarded to A or B.

If option MULTICFD in table CUSTSTN is present, there is no limit to the number of calls forwarded simultaneously for feature CFD. If the MULTICFD option is absent, only one call is forwarded. If the STIMULT field is datafilled, this takes precedence and imposes a limit to the number of simultaneously forwarded calls. Calls that cannot be forwarded because the maximum simultaneous limit has been reached continue to ring the CFD base station until answered or abandoned.

The DN input for CFD can be from 1 to 24 digits in length.

When deleting CFD from a KSET (business set), if any keys associated with the CFD's keylist have the CFDVT (call forward don't answer variable timer) or CFTD (call forward timed for CFD) option, these options must be deleted before the CFD key. These deletions can be done with the existing DEO (delete option) command but necessitate manually entering all the affected keys. SERVORD has been enhanced to make DEO CFD less restrictive, so that during deletion of the CFD key, this enhancement automatically deletes any

KSETFEAT (continued)

associated CFDVT and CFTD keys, and prints a message for each key being deleted.

Call Forward Don't Answer Variable Timer (CFDVT)

This feature allows operating company clients the flexibility to assign a different CFD time-out value. This feature can be assigned only to DN appearances on the set that have the CFD feature assigned under feature CFX.

If a business set is assigned this feature, the timing that is specified here (12 to 60 s in 1-s intervals) overrides the timing specified for the customer group in field CFDATO of option CFDATIM in table CUSTSTN. For sets without this feature, the timing is as specified for the customer group in field CFDATO of option CFDATIM in table CUSTSTN.

If this feature is assigned to a MADN member, the member must be a primary member.

Call Forward Prevention Enhancements (CFPE)

The Call Forward Prevention Enhancements (CFPE) feature enhances the fraud prevention capabilities of the centrex and POTS programmable call forwarding types. CFPE allows an operating company to define calling dial plans that cannot be assigned as forward-to DNs.

CFPE lets an operating company override the restricted calling dial plans on a per-line basis. An operating company can limit the number of times a forward-to DN can be programmed with CFPE. This activity is an enhancement of the RES feature Call Forward Fraud Prevention (CFFP) from NA008.

Call Forward Timed (CFT)

This feature is an enhancement to Call Forward Busy (CFB) and Call Forward Don't Answer (CFD) for MDC lines. The options for single-line and business sets are datafilled through SERVORD as CFTB for CFT with CFB and CFTD for CFT with CFD. The subscriber must have the CFB line option to add the CFTB feature, and the CFD line option is required to add the CFTD feature.

CFT is initiated whenever a call is forwarded by a subscriber to an idle line within the same customer group and switch. The feature is invoked when the forwarded call is not answered. A timer monitors the line for a predetermined time-out period. If the call is not answered within the time-out period, the call is routed to treatment. The caller hears either an announcement or a tone indicating that the line is busy or temporarily unattended.

KSETFEAT (continued)

Call Forward Universal Intragroup Fixed (CFUIF)

This feature is available only if the switching unit has office parameter CFX_SEPARATE_KEYLIST_FEATURE in table OFCENG set to Y (yes).

Four variations of the Call Forwarding feature (Universal, Intragroup, Fixed, and Universal per Key) are mutually exclusive to allow them to have a separate keylist. Data entered using CFX is divided among the CFUIF, CFB and CFD components. Any subsequent changes to the CFUIF part can only be modified using CFUIF and not CFX. CFUIF can also be used to enter data.

The options for simultaneous number of forwarded calls (SIMULT), screening of forwarded calls (SCREEN) and remote call forwarding (CFRA) are included in this component. CFRA applies only to CFUIF types, but SIMULT and SCREEN apply to all types of call forwarding including CFB and CFD. Refer to feature CFX for a description of CFUIF, CFB, CFD, and all options.

Call Forwarding per DN per Call Type (CFXDNCT)

Feature CFXDNCT allows an NI-2 ISDN device to accommodate DN, VI, and CMD call type call forwarding information. Each call type can forward to different destinations.

The following CFW subfeatures are supported by feature CFXDNCT for NI-2 terminals:

- Call Forward Busy External (CBE)
- Call Forward Busy Internal (CBI)
- Call Forward Busy Universal (CBU)
- Call Forward Don't Answer External (CDE)
- Call Forward Don't Answer Internal (CDI)
- Call Forward Don't Answer Universal (CDU)
- Call Forward Busy (CFB)
- Call Forward Don't Answer (CFD)
- Call Forward Fixed (CFF)
- Call Forward Intragroup (CFI)
- Call Forward Universal (CFU)

Call Forwarding Validation (CFXVAL)

This feature enables the MDC Optional Courtesy Call service (customer group option CFWVAL) for an NI-2 or NI-3 ISDN terminal. Optional Courtesy Call is provisioned on each ISDN device, which overrides the customer group entry. The option is added once for each LTID that subscribes.

KSETFEAT (continued)

Call Park (PRK)

This feature enables a DN appearance to park a call against its DN for retrieval by any station. The call can be retrieved by any station by requesting the call park retrieve and then dialing the DN of the station that parked the call.

In NA008 the Call Park notification trigger is enhanced. The enhancement is based on the notification busy condition for each different call type. The enhanced trigger occurs when the notification busy condition is cleared.

This is a set feature and can also be assigned as a code access feature. If a key is assigned for this feature, the key can be used for both parking calls and retrieving calls.

Once a call is parked, the call park timer is started. This recalls the parking party when it times out.

Call Pickup (CPU)

This feature enables a station to answer calls incoming to another station within a preset pickup group. Feature CPU is provided on an individual station basis within an IBN customer group. To pick up a call, the station user dials the code assigned to the feature.

The Call Pickup feature permits a DN appearance to answer incoming calls to another station within a preset pickup group. This is a subset and code access feature. A key can be assigned for this feature if desired.

If needed, the call pickup group number can be added.

Call Screening, Monitoring, and Intercept (CSMI)

This feature allows end users of Network Based Answering Services (NBAS) to monitor and intercept calls being handled by the NBAS. Call monitoring allows the end user to listen to a message as it is being left in the voice mailbox in the NBAS. Call interception allows the end user to connect to the call to speak directly to the caller.

Call monitoring is accessed when the end user goes off-hook after receiving a ring splash, indicating that the call has been forwarded to the NBAS. This establishes a listen-only connection, using a conference circuit between the CSMI end user and the two-way connection between the calling party and the NBAS.

Through the listen-only connection, the end user can listen undetectably as the caller leaves the messages. The end user must begin monitoring the call before the caller terminates the call or before the screening timer (as defined by office parameter CSMI_SCREENING_TIMER) expires.

KSETFEAT (continued)

A monitoring session implies that the CSMI end user can listen to the forwarded party and the NBAS, but cannot be heard by either. Monitoring is set up through a conference circuit.

Call interception is accessed when the end user performs a hook-flash while monitoring the call. This replaces the one-way monitoring connection with a two-way connection between the caller and the end user. It also drops the connection between the caller and the NBAS. The hook-flash must be less than 1.5 seconds in duration, otherwise it is interpreted as an on-hook followed by an off-hook, which allows the end user to place an outgoing call.

Call Reference Busy Limit (CRBL)

This feature is used for NI-2 sets instead of the NUMC or AFC options which are disallowed for NI-2 sets. CRBL allows a greater number of keys to be used than the option NUMC. It allows the user to limit the number of active calls on a call type basis.

Call Transfer (CXR)

This feature is assigned to a station if the call transfer for the station differs from the call transfer assigned to the operating company client group in table CUSTSTN.

The type of call transfer defined with this feature overrides the call transfer option in table CUSTSTN.

There are several transfer types, as specified below:

- AC used if the terminator on the second leg is the attendant console.
- ATTRCLF used if all calls are transferred to the attendant.
- CTALL used if the ability to transfer all incoming and outgoing calls is required. The first and second legs of the call can be INTERGROUP or INTRAGROUP.
- CTINC used if the ability to transfer all incoming calls is required. The first leg of the call must be INTERGROUP and the second leg of the call must be INTRAGROUP.
- CTINTRA used if the ability to transfer all incoming and outgoing calls is required. The first leg of the call can be INTERGROUP or INTRAGROUP, but the second leg of the call must be INTRAGROUP.
- CTOUT used if the ability to transfer all incoming and outgoing calls is required. The first leg of the call must be INTERGROUP and the second leg of the call must be INTRAGROUP.
- CUSTOM used if given a type of call for the first leg, the second leg of the call is selectable by the operating company. The call transfer type can be

KSETFEAT (continued)

specified for the following four types of call: originating intergroup (ORGINTER), originating intragroup (ORGINTRA), terminating intergroup (TRMINTER), and terminating intragroup (TRMINTRA). These are assigned one of the following call transfer types:

- INTER if the second leg of the call is an intergroup call
- INTRA if the second leg of the call is an intragroup call
- NCT if the call is transferred to the attendant for incoming calls where the first leg of the call is INTERGROUP
- NOCXFER if no call transfer is allowed
- TRATER if the second leg of the call is an intragroup or intergroup call

Fields CXRRCL and RCLTM are added to the CXR feature to enable the transferred call to recall the transferring station when the recall timer expires.

An additional enhancement is implemented to allow call transfer to any kind of treatment. This type of transfer is only allowed if the controller of the three-way call flashed for the first time and was routed to a treatment.

At this point, when the controller goes on-hook, the transferee on the first leg is routed to the same treatment. The controller is not able to conference in a treatment. As usual, two flashes cancel the treatment and recover the original leg of the call.

When a call is transferred to a busy line and the caller has Ring Again (RAG) as a line option, the caller can issue a RAG request on the busy line, provided the requirement of INTRAGROUPNESS is satisfied. When the busy line becomes idle, the caller is recalled with a distinct ringing pattern.

When the RAG caller answers, there is audible ringing and the idle line is rung. This is useful in cases where the three-way call controller goes on-hook immediately after dialing the busy number.

If the Call Transfer (CXR) feature, on either a line or an operating company subscriber basis, is not compatible with the call configuration, then all parties are dropped when the controller goes on-hook, regardless of whether the second leg was routed to treatment.

The CXR feature can leave two OP or two A5 trunks in the transferred call. When terminating hold is assumed, then each trunk holds the other up, that is, the trunks remain call processing busy (CPB) until they are discovered by maintenance personnel.

KSETFEAT (continued)

Field HOLDTYPE in table TRKGRP(A5) and TRKGRP(OP) for trunk group types A5 and OP has three possible values: NOHOLD, TERMHOLD, and JNTHOLD. If A5 and OP trunks are used in nonoperator type configurations, field HOLDTYPE is set to NOHOLD. The CXR feature configurations involve two operator trunks if terminating hold or joint hold is applicable.

The controller of a three-way call can transfer to an A5 or OP type trunk if the first leg provides both answer and disconnect supervision. Abiding by this restriction guarantees that two trunks are not held up back to back in the transferred call.

Certain configurations, where only one agent in the transferred call provides either answer or disconnect supervision, are datafillable by the operating company subscriber.

Call Transfer ISDN pre-NI-2 (XFER)

This feature adapts the functionality of feature CXR (described earlier) for ISDN lines with pre-NI-2 terminals.

Call Transfer ISDN NI-2 (TRANSFER)

This feature adapts the functionality of feature CXR (described earlier) for ISDN lines with NI-2 terminals.

Call Waiting (CWT)

This feature allows a DN appearance to receive call waiting notification of an incoming call while busy on another call. The basic Call Waiting feature applies only to attendant extended, direct inward dialing (DID), enhanced private switched communication service (EPSCS), and tie trunk calls.

The number of lines that can have this option depends on the values of office parameters NO_OF_SMALL_FTR_DATA_BLKs, NO_OF_MEDIUM_FTR_DATA_BLKs, and NO_OF_LARGE_FTR_DATA_BLKs in table OFCENG.

Calls made over outgoing and two-way trunks from local to centralized AMA (CAMA) (OC), incoming operator (OI), or Traffic Operator Position System (TOPS) trunks to a business set are not call waited. This is due to the way these trunks are handled in call processing.

Caller ID Delivery and Suppression (CIDS) Delivery (CIDSDLV)

This feature enables the subscriber *to deliver* the originator's name and number according to each call. This feature applies to ISDN BRI sets only, and is datafilled by SERVORD.

KSETFEAT (continued)

Caller ID Delivery and Suppression (CIDS) Suppression (CIDSSUP)

This feature enables the subscriber *to block the delivery* of the originator's name and number for each call. This feature applies to ISDN BRI sets only, and is datafilled by SERVORD.

Calling Line Identification (CLI)

This feature is assigned to DN appearances that require calling line identification. When this feature is assigned, all calls that are local and toll terminating on the subscriber's line record the following information on the DMS log system: time and date of the call, the line equipment number (LEN), and the DN of the line being called.

For local calls, the LINE 115 output report is used, which also provides the LEN and DN of the calling party. For toll calls, the LINE 117 output report is used, which also provides the common language location identifier (CLLI) and the member number of the incoming line.

Carrier Toll Denied (CTD)

If this feature is assigned, toll access is denied from the given IBN station for up to 21 selected carriers. The carriers are specified when the feature is assigned.

Circuit-Mode Data (CMD)

This option applies to ISDN BRI lines only. When you assign the CMD (or VI) option to a line, the CMD and the VI call types share the DN across LTIDs on the same interface. The call types of the LTIDs for the shared DN appear in this table.

Closed User Group (CUG)

This feature provides a mechanism for forming groups of numbers, to and from which access is restricted. Users in a CUG can generally communicate with each other but not with users outside the group.

A user can be a member of one or more CUGs.

Connected Party Line Restriction (COLR)

The COLR feature, when added to ISDN sets, allows the connected party to prevent its ISDN number from being presented to the calling party. The COLR supplementary service is provided in either permanent (PERM) or temporary (TEMP) mode. Temporary mode allows the subscriber to select the default characteristic as being either restricted (RESTRICT) or not-restricted (ALLOW). Permanent mode supports only the restricted option. The options are datafilled in the DFLT field.

KSETFEAT (continued)

Controlled Interflow (CIF)

This feature provides the capability to activate or deactivate controlled interflow from an Automatic Call Distribution (ACD) supervisor's set. If feature CIF is active, new calls to an ACD group are routed to a subscriber-defined route in table ACDGRP.

When feature CIF is activated, calls currently in the incoming call queue are processed normally.

Customer-originated Trace (COT)

This feature allows the user to generate a trace of the last incoming call. The DN is stored in the incoming call memory (ICM). If the line has feature Call Waiting (CWT), the ICM is updated with the DN of last-incoming or call-waiting call before the user has time to activate feature COT. The COT feature is assigned only to the primary member of single call arrangement (SCA) MADN group.

The ICM for the MADN group is associated only with the primary member. Once assigned, all members of the group can activate feature COT.

The subscriber activates the COT feature by access code or feature key.

Datapath Call Path Restoration (CPR)

This feature provides the ability to automatically reestablish Datapath call connections that were disconnected as a result of power loss, switch resets in the customer premises equipment, or other disruptive conditions including system restarts. This task is done through an audit process that runs every five minutes scanning all Datapath lines with the CPR feature assigned. If the line has been disconnected for maintenance, it is left alone. If the line is idle, steps are taken to reoriginate the call.

This feature is available only for data units. Feature CPR contains a DN datafiled in table KSETFEAT exactly like the AUL (Automatic Line) feature. The digits are automatically dialed when the data unit originates. Either feature CPR or feature AUL can be datafiled against the data unit line, but not both.

Default Bearer Capability (DBC)

This feature is available as of NA008 on NI-2 FIT sets only. For each DN appearance key the DBC option can be specified with the default bearer capability defined. The choices of DBC include SP, 3.1K, 56K, and 64K. DBC will default to the first valid bearer capability defined for the DN for all call appearances to which it is not assigned. The assigned default bearer capability does not restrict the user from using other call types for originations or terminations on a particular DN appearance key.

KSETFEAT (continued)

Denied Incoming (DIN)

If this feature is assigned, the DN appearance cannot receive calls from outside the subscriber group. This includes all calls incoming on trunks, except those trunk groups flagged as intragroup only. The attendant cannot complete incoming calls to the station if the call originates outside the subscriber group, unless feature DIN is modified by a terminating restriction code.

The DIN option DINE (DIN enhanced) allows unrestricted stations to transfer incoming calls from outside the customer group to restricted stations within the customer group.

Deny In-session Activation (DENYISA)

This feature enables the operating company to deactivate ISA permanently on an end user's line.

Deny Malicious Call Termination (DMCT)

This feature allows Meridian Digital Centrex (MDC) subscribers or ACD groups to identify callers from whom they do not want to receive calls. When a call originating from a number on the subscriber's list is received, the call is routed to an announcement that indicates the call is not accepted by the subscriber. This feature is supported for calls originating from lines within the same office, and for calls originating on Japan Public Network 7 (JPN7) ISUP trunks.

To register or deregister an entry in a DMCT list, the subscriber dials the DMCT list management access code. Since ACD agents on EBS cannot originate calls from their INCALLS key, an SDN key initiates a DMCT list management session. If the DMCT access code is dialed from any SDN key on an ACD set, the latest call received on the INCALLS key is included in the DMCT list.

ACD agents on 2500 sets initiate DMCT list management sessions in the same manner as individual subscribers.

Dial Call Waiting (CWD)

This feature is activated by MBS users by pressing a predefined feature key when they hear a busy tone. This feature can be activated by dial access mode.

Direct Dialing In (DDI)

This feature enables a calling subscriber to dial directly a user on a private ISDN, using the public ISDN and the public ISDN numbering plan. This allows a connection to be made to the called user without having to go through the private ISDN's operator.

KSETFEAT (continued)

Directed Call Park (DCPK)

This feature enables any member of a subscriber group to park a call against any IBN line in the same subscriber group. The call can then be retrieved by any line in the same subscriber group by pressing the DCPK key if available, or by dialing the Call Park Retrieve access code and the DN of the parked line. If a security code is associated with the DCPK feature of the line against which the call is parked, then the security code must also be supplied.

Feature DCPK is a set feature or a code access feature, which means that once it is assigned, all DN appearances on the set have this feature, with the exception of private business line (PBL).

Display Agent Status Key (DASK)

This feature enables the ACD supervisor to monitor the overall state of ACD agent positions that are assigned to an ACD group.

When the DASK key is pressed, the ACD supervisor receives the following information:

- number of agent positions busy on ACD and non-ACD calls
- number of agent positions waiting for calls
- number of agent positions not ready to receive ACD calls
- number of unstaffed agent positions

Display Queue Status (DQS)

This feature is assigned to an ACD supervisor set to allow the supervisor to display the load status information associated with an ACD group. A DQS key can be assigned only to a set that has a 32-character alphanumeric display. Before the DQS feature can be assigned to a set, the set must have key 1 assigned to the Supervisor (SUPR) feature. Key 1 must also first be assigned as either a PDN or an INCALLS key in table KSETLINE.

One ACD supervisor can have multiple DQS keys for multiple ACD groups, or several supervisors can have a DQS key for the same ACD group.

The type of information displayed is as follows:

- number of calls waiting in the ACD incoming call queue
- total number of occupied agent positions (idle, active, or not ready)
- waiting time (in seconds) of the first call in the highest priority queue

Display Queue Threshold (DQT)

This feature is assigned to either an ACD agent or an ACD supervisor set to display the threshold status information associated with an ACD group. A

KSETFEAT (continued)

DQT key can be assigned only to a set having a 32-character alphanumeric display. Key 1 must first be assigned as either a PDN or an INCALLS key in table KSETLINE. If this feature is assigned to a supervisor set, the SUPR feature must be assigned to key 1 as well.

Distinctive Ringing (DRING)

This feature provides a method for distinguishing different incoming call types, particularly incoming ACD calls from incoming non-ACD calls.

This feature allows assignment of Distinctive Ringing on a line-by-line basis. If the group to which the line belongs also has the Distinctive Ringing feature assigned in table CUSTSTN, then the DRING of the line takes precedence over the customer group's ringing.

Feature DRING is currently supported only on lines that use coded ringing. These are lines that have C (coded 20 Hz), C30 (coded 30 Hz) or CSR (coded special ringing) datafilled as ringtype in tables LMRNG or LCMINV. It provides a set of eight distinct ring patterns, known as Bell Canada ringing codes (BCRC) 1 to 5 and Teen Service ringing codes 6 to 8 (see Figure 1).

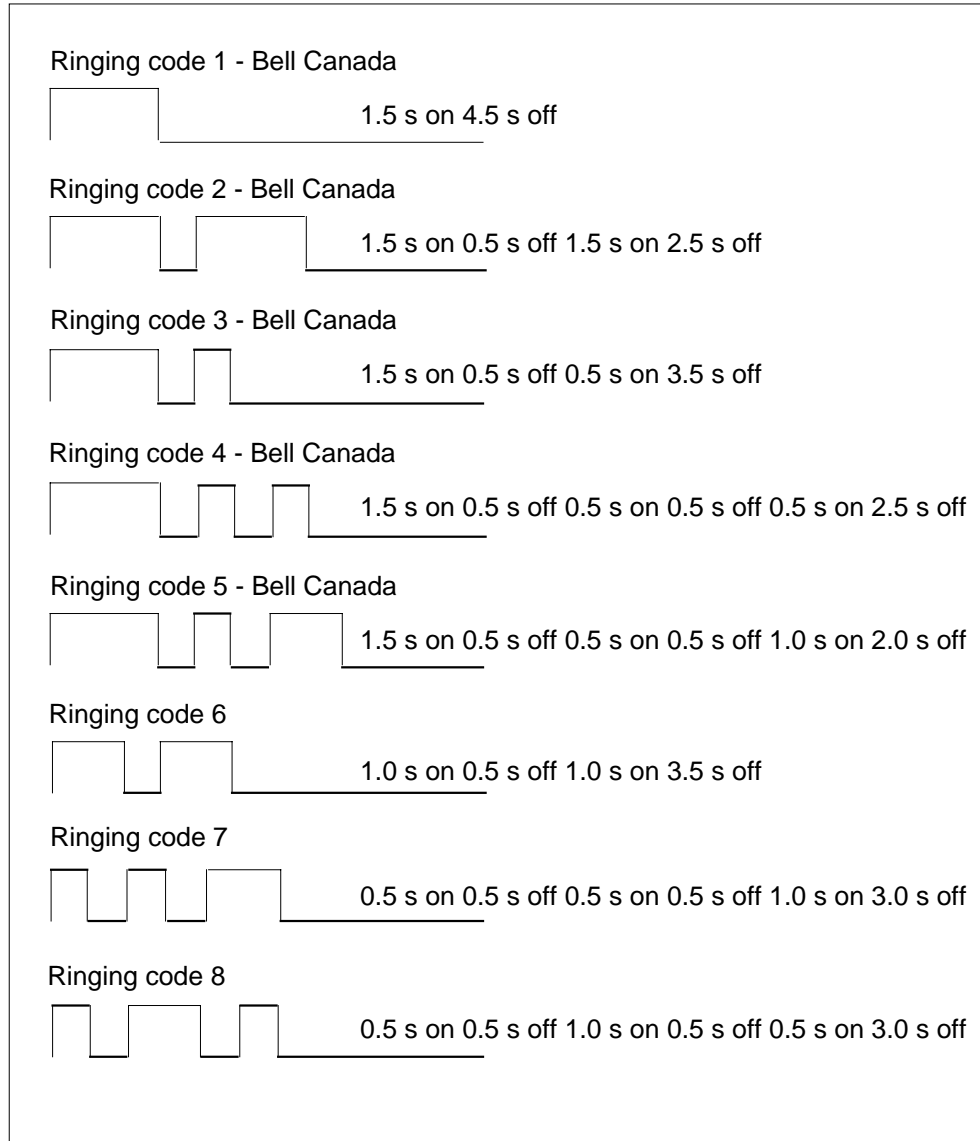
Feature DRING can provide different distinct ringing patterns for different call types. Distinctive ringing is provided based on the origin of the call. The call types supported are as follows:

- Intragroup calls: IBN lines in the same customer group or attendant consoles (originating a call) in the same customer group
- Intergroup calls: IBN lines external to the customer group, attendant consoles (originating a call) in other customer groups, or attendant consoles (extending a call) in the same customer group
- IBN trunks calls: IBN trunks in the same customer group (Distinctive Ringing can be applied to all trunks owned by the group, or selected trunks only)
- all group intercom (GIC) calls
- all recall ringing used by features such as Call Park (PRK) and Directed Call Park (DCPK)
- UCD calls
- ACD calls
- all remaining calls, including plain ordinary telephone service (POTS) lines, POTS trunks, and IBN trunks not owned by the same customer group

The following figure shows the eight distinctive ringing patterns.

KSETFEAT (continued)

Distinctive ringing patterns



Note: Ringling codes 2 and 6 are identical in cadence but are different in timing. These ringling codes must not be assigned to the same line because it is difficult to differentiate them.

Do Not Disturb (DND)

This feature is assigned to a DN appearance that is a member of a DND group. When feature DND is activated on a DN, then all calls to that appearance are

KSETFEAT (continued)

diverted to a treatment (tone or announcement), to a specified route, or to an attendant.

This feature applies only if option DND is assigned in table CUSTSTN which defines how many groups can be assigned. The maximum is 64. The schedules for the DND groups are defined in table DNDSCHED. Incoming call identification code 13 must be assigned in tables FNMAP and ICIDATA for the DND feature.

Drop (DROP)

This feature enables an ISDN line to drop the most recently added member of the conference.

Emergency Key (EMK)

This feature enables ACD agents to conference to their supervisor in the event of a threatening or abusive ACD call.

When the ACD agent presses the EMK key, the associated lamp flashes. An SDN assigned as an answer emergency key (AEMK) on the supervisor set (in table KSETLINE) rings and its associated lamp flashes. To answer the emergency call, the supervisor presses the AEMK, and the lamp remains on.

The EMK is a subset feature that is compatible only with a set having an INCALLS key. The EMK feature can be assigned only to an ACD agent set since an ACD supervisor set must have the SUPR option assigned to key 1, and the EMK is also assigned to key 1. Even though some ACD supervisor sets have an INCALLS key, they cannot have the EMK feature assigned to the same set since key 1 is not available.

ETSI Call Waiting (CW)

This Call Waiting supplementary feature enables subscribers to be informed of an incoming call with an indication that no interface information channel (B-channel) is available. The subscriber then has the choice of accepting, rejecting or ignoring the waiting call (as per ISDN basic call procedures).

This feature operates when all appropriate B-channels to the receiving subscriber's terminal(s) are busy.

Refinement CALLING_USER_NOTIFICATION, in field KVAR, indicates whether the calling subscriber receives notification that their call is being offered to the called party as a waiting call.

Note 1: If ETSI Call Waiting is provisioned to a DN, it is recommended that the ETSI HOLD feature also be assigned to the same DN.

KSETFEAT (continued)

Note 2: From EUR006 up, the ACOU feature, which is incompatible with both ETSI Call Waiting and ETSI Call HOLD, will no longer be provisioned as a feature for ETSI basic rate interface (BRI) lines. This has no impact on functionality, since ETSI Basic Call can now handle a maximum of four concurrent calls per ISDN access.

Executive Busy Override (EBO)

This feature allows all DN appearances on a set to gain access to a busy station in the same customer group by pressing the EBO key on the business set, or by activating the EBO access code. Feature EBO is a set feature but it can also be assigned as a code access feature. This feature does not require the association of a lamp with the key if it is assigned to a key.

When an EBO attempt is made to override on a busy member of a MADN group, the request is disallowed and the requester receives a reorder tone.

Executive Message Waiting (EMW)

This feature enables a line to receive messages from calling stations with compatible mailbox class of service (MCOS). The respective EMW lamp is lit when a message is waiting.

Sixteen MCOS are available to each customer group. A user is able to access only the mailbox that he subscribes to. Each MCOS is assigned to a key/lamp pair. If both parties subscribe to several mailboxes, then the message is saved in the first matched mailbox.

MCOS class P has a unique characteristic different from other classes. When the base station has class P, any caller with the Message Waiting (MWT) feature with the Call Request (CAR) variant (MWT/CAR) can leave a message for the base station. If the message does not belong to any mailbox from class A to O, then the message is saved in class P mailbox.

Extended Call Management (ECM)

This feature allows an external host computer to associate to centrex or RES lines. Association to a line is done from the host computer by sending a dv_DN_ASSOCIATE message containing the DN of the line. All centrex or RES lines with the option ECM can be associated to a host computer, provided the host computer and the line belong to the same customer group and the line is not associated with another host computer at that time. A host computer can associate itself to a maximum of 20 000 centrex or RES lines on a switch computer application interface (SCAI) session.

Note: This feature was moved from table KSETLINE. If feature ECM had been enabled on a line before a software upgrade, then it is enabled after a software upgrade through the one night process (ONP), with only the ECM

KSETFEAT (continued)

suboption Call Events set to Yes. If the end user wants any other functions, the operating system must set the appropriate suboptions to Yes.

Network Intelligent Call Management (AU2799) adds suboption NETICM to feature ECM. This suboption provides Network Intelligent Call Management functionality.

Fast Transfer (FXR)

This key feature allows a subscriber to transfer a call directly to the destination (blind transfer) or with an announcement before completing the transfer. The subscriber can also alternate between the two parties (originating and destination) by alternately pressing the active DN and the FXR key.

The type of fast transfer available, by default, is the one defined in table CUSTSTN. If feature Call Transfer (CXR) is datafilled on the same business set as FXR, the restrictions that apply to CXR also apply to FXR and override those defined in table CUSTSTN.

Flexible Calling (FC)

This feature allows an ISDN line to request conference facility from the network and establish a conference call.

Flexible Station-controlled Conference (CNF)

This feature permits a keyset station to establish a conference call consisting of more than three parties without the assistance of the attendant. The maximum number of conferees, including the keyset station, is 30.

The station can be assigned one of seven feature variants. These are 6, 10, 14, 18, 22, 26, or 30 conferees. The conferees can include lines in the same customer group, lines belonging to another customer group, or stations reached by trunks. The access codes for adding or releasing conferees are defined in table IBNXLA with feature selectors CONF and RLS.

This is a set feature that can be assigned to a vacant key or assigned as access code feature. This feature is not valid for DUs.

Forced Agent Availability (FAA)

This feature allows an ACD supervisor to force an ACD agent from the *not ready* state to the *ready* state. This action makes the ACD agent available to receive calls. This feature is activated by pressing the FAA key on the supervisor set followed by pressing an agent key or dialing the agent's DN. Extended FAA allows definition of each FAA key as valid for agents in any ACD group and subgroup that are in the same customer group as the supervisor. An FAA key can also be defined as valid only for agents in a particular ACD group.

KSETFEAT (continued)

Group Intercom All Call (GIAC)

This feature enables a member of group intercom (GIC) to page select members (determined by datafill) simultaneously. When the call is initiated, a conference is established and each terminator is placed on a port. The originator then pages the GIAC members' business sets over the built-in speakers through a one-way connection.

Any terminator can then establish a two-way connection with the conference by lifting the handset or pressing the ON key of the hands-free unit.

As GIAC members enter the conference, bridging tone is applied to the bridge. The originator can stop paging (close the conference) at any point. Conferees who have not established a two-way connection are cut off. The conference then works in the same way as station-controlled conference except that add-on is disallowed.

As members exit, conference disconnect tone is applied to the bridge and the conference continues as long as an eligible controller exists. The originator has the capability of paging up to 29 members of the GIC group.

GIAC is a key feature that is not valid for DUs. It applies only to business sets. This feature must be assigned to an existing GIC key on the MBS.

Hands-free Control (HF, MUTE, HFMUTE, SOFTKEY)

The hands-free control features, Hands-free (HF), Mute (MUTE), combination of Hands-free and Mute (HFMUTE), and Softkey (SOFTKEY), have no other options associated with them.

The features enable the user to activate the handset speaker and microphone or the hands-free speaker and microphone.

In-session Activation (ISA)

This feature provides operating companies with the capability to offer call completion services, such as Automatic Call Back (ACB), Message Delivery Service (MDS), and Universal Voice Messaging (UVM), to end users who encounter a busy or ringing/no answer (RNA) condition. In-session Activation enables end users to access a call completion service without having to first hang up and then dial an access code.

Inspect (INSPECT)

This is a key feature and is not valid for DUs. This feature can be assigned only to a key with a lamp. Information provided by the INSPECT key is displayed on the two 24-character displays (M5209 and M5312 sets) or the two 16-character displays (business sets with display).

KSETFEAT (continued)

All messages displayed on the set are datafillable in table REASONS if the default set is not wanted.

The REASDSP option in table KSETINV specifies which set to use.

The INSPDISP option in table CUSTSTN defines how long the inspect display message stays on the display. The INSPACT option in table CUSTSTN defines how long the Inspect feature stays active when the feature is not used.

This feature provides the ability to display information about the feature keys, DN keys on the set, and incoming calls to the DN key.

Intercom (ICM)

This feature enables a caller to press the ICM (intercom) key and connect with a pre-designated set. If the terminating set is not busy, audible ringing is given and the terminator's ICM key lamp begins flashing. The terminator can then choose to answer the call by pressing the ICM key or wait for the 2-s delay preceding an automatic connection being made. If the set is busy, a buzzing tone is given to the terminator's set and the ICM key flashes, but no automatic connection made. To answer the call, the terminator presses the ICM key (this automatically holds any active DN).

ICM is a key feature and is not valid for DUs.

International Primary Carrier (INTPIC)

This feature provides the ability for Equal Access End Office subscribers to pre-subscribe to a long distance carrier for international calls. The pre-subscribed international carrier is independent of the selected carrier for inter-LATA calls. Subscribers of this feature are given a choice to allow or disallow Carrier Access Code (CAC) dialing.

Although table KSETFEAT also lists the line options that are assigned to the Meridian Digital telephone sets, only the IBN sets associated with this table are supported with the use of line option INTPIC.

Note: World Zone 1 calls do not use option INTPIC; they use option PIC to choose a carrier.

ISDN BRI User to User Signaling (UUS1)

This feature enables communication between ISDN users by the transfer of User-to-User Information (UUI) during the call establishment and/or clearing phases of a call. The information is transferred within call control messages. The purpose of the UUI element is to convey information between ISDN users. Only a limited amount of information can be sent to, or received from, another user.

KSETFEAT (continued)

There are two types of request for User-to-User Signaling (UUS1): implicit and explicit requests.

- In an implicit request, UUS is requested by sending a UUI element in the Setup message in the ISDN part. By default, an implicit request is preferred in BRI (non-essential in ISUP V2), therefore the call continues even if the UUI element cannot be passed.
- In an explicit request, UUS is requested by sending the facility information element (FA IE) with a UUS invoke component in the SETUP message. The calling user can specify whether the request for UUS is required (essential in ISUP V2) or preferred (non-essential in ISUP V2) for the call. If the request for UUS is required, the call is not completed if UUI cannot be passed; if the request for UUS is preferred, the call continues even if the UUI element cannot be passed.

The maximum amount of information that can be sent is 128 octets, and the message header is three octets, therefore the total UUI is a maximum of 131 octets. If the UUI element in the SETUP message is greater than 131 octets, the UUI element is discarded by the network. Because of protocol restrictions, some networks support the transfer of only 35 octets of the UUI element for each message.

The minimum amount of information that can be sent is three octets. If a SETUP message is received that contains a UUI element of less than three octets in length, the UUI element is discarded and the service is not invoked.

Key Short Hunt (KSH)

This feature provides the capability for incoming calls to search a set of DN appearances on a business set for an idle DN to terminate. Hunting always takes place starting from the dialed DN, then up the keys of the business set in numerical order.

In NA008 the KSH notification trigger is enhanced. The enhancement is based on the notification busy condition for each different call type. The enhanced trigger occurs when the notification busy condition is cleared.

KSH is a subset feature and must be assigned to key 1 if feature KSH is required. Either all DNs of the business set or a subset of DNs can be specified in the hunt list. If a subset is required, then a maximum of 24 members can be included in the list, since this is the maximum number of keys that can be specified in field KEYLIST.

Hunting of an idle DN starts from the dialed DN, then goes up the keys of the business set as defined in the keylist. This hunt is not circular and stops once an idle DN is found or the hunt list following the dialed DN is exhausted. If the

KSETFEAT (continued)

hunt list is exhausted without finding an idle DN, then an optional overflow DN or route is terminated.

An ACOU DN is part of the keylist of a set with KSH assigned to it. If an attempt is made to terminate on an ACOU DN and the termination is not possible because of a notification busy limit condition, hunting continues to the next key in the keylist. For NA008 this feature has been changed to differentiate on the basis of CT. When terminating, the notification busy condition for the same CT as the originating CT is checked.

The keylist can only contain standard DNs or multiple appearance DNs (MADN), but not intercom (ICM), group intercom (GIC), or private business line (PBL) DNs. A given DN cannot appear in more than one short hunt group or any other type of hunt group: multiline hunt (MLH), distributed line hunt (DLH), or directory number hunt (DNH). Any MADN member in the hunt keylist must be the primary member of that MADN group.

Feature KSH is provided for Meridian Digital Centrex (MDC) business sets and ISDN keysets. A block prevents the addition of KSH to ISDN basic rate access functional sets (BRAFS) terminals if feature package NTX754AA or NTX754AB (ISDN Electronic Key Telephone Service) is not present in the customer software.

Feature ISDN PKT shared DN (AF6777) and feature ISDN PKT single DN (AF6782) will allow the KSH feature to be provisioned on ISDN integrated terminals (IT). Its with voice information (VI) circuit mode data (CMD) and packet mode (PMD) call types can share the same DN using different keys. A DN can only be datafilled as shared if SOC option NI000051 is on. Feature KSH is only applicable to the circuit switched (CS) VI CMD call types. The following table control rules for KSH on shared ISDN ITs provisioned for the two B-channel one D-channel (2BD) feature apply:

- KSH feature can be added to CS keys.
- KSH feature can be changed on CS keys.
- KSH feature can be deleted from CS keys

Attempting to add the KSH feature to a IT key that has PMD assigned will generate the following warning.

Warning: KSH - KEY SHORT HUNT FEATURE IS ONLY ASSIGNED TO CIRCUIT KEYS IN KEYLIST.

Feature KSH affects parameter KSHUNT_EXT_BLOCKS in table OFCENG.

KSETFEAT (continued)

If the optional overflow DN is a 1 + 10 digit inter-LATA call, the Primary Inter-LATA Carrier (PIC) assigned to the phone will not be used for the call. The overflow feature does not reference line options for call routing. The Equal Access (EA) option for selector NET GEN in table IBNXLA can be used to specify a PIC in this situation.

The KSH feature in the KSETFEAT table allows the Overflow Directory Number (OVDN) field to store directory numbers from 1 to 30 digits.

Leave Message (LVM)

This feature enables key access to the Message Waiting (MWT) feature with the Call Request (CAR) (MWT/CAR) variant for MDC sets and ISDN basic rate access functional sets (BRAFS).

Line of Business Code (LOB)

This keyset feature enhances the existing LOB feature by providing the ACD agent with a smooth LOB code entry sequence during an ACD call. While on an ACD call, the agent can enter the LOB code by pressing the LOB key and entering the three-digit LOB code. The LOB is automatically sent to the downstream processor (DSP) by way of the Management Information System (MIS).

The agent and caller are placed on hold during the LOB digit collection. As the LOB code is entered, the number of digits is checked against the number of digits specified in table CUSTHEAD.

If no LOB code is entered, the default LOB code is sent to the DSP. The default LOB code is datafilled in table ACDGRP in the MIS option.

Local (LOCAL)

This feature prevents a DN or feature from being assigned to a key with LOCAL assigned to it. The LOCAL key is used either for hands-free use or as a key to program the display on a set or data device located with the set.

Local Service Provider Switch Owner (LSPSO)

This feature assigns a local service provider switch owner to a directory number (DN). Use the LSPSO option only in a multi-jurisdictional environment on DNs outside the jurisdiction where the switch resides. In a single jurisdictional environment, Nortel recommends that you use only the new OFCENG (office engineering) parameter DEFAULT_LSPSO. The software does not prevent customers from assigning the LSPSO option to DNs in a single-jurisdictional environment.

KSETFEAT (continued)

Make Set Busy (MSB)

All DN appearances excluding private business lines and MADN members on a keyset are made busy to all incoming calls. This set feature is assigned to a vacant key that is used to activate and deactivate the feature.

The two following variations are available for this feature:

- MSB ALL CALLS (enables the set to appear busy to all types of incoming calls, both internal and external)
- MSB INTRAGROUP (makes the set busy to intragroup calls only)

Malicious Call Hold (MCH)

This feature enables any DN appearance on the keyset to hold a connection on a malicious call. If both parties terminate in the same switching unit, the entire call is held until released by the called party. If the call is on an incoming trunk, the call is held back to the incoming trunk.

Note: The MCH feature is incompatible with call-originating integrated services digital network (ISDN) telephone sets. During calls from an ISDN phone set to a proprietary business set (PSET), electronic business service (EBS), or Meridian Business Set (MBS), when the user of the business set presses the MCH key, the ISDN set *does not remain held* by the MCH feature. When the business set tries to apply the MCH, an FTR138 log is generated, indicating that the applied treatment is FNAL (FEATURE_NOT_ALLOWED).

This is a telephone set feature that can be assigned either to a vacant key or as a code access. If assigned to a key, this feature does not require a lamp.

Malicious Call ID (MCID)

This feature enables an incoming call to be identified and registered by the network. Information captured includes the following:

- calling party number;
- called party number;
- date and time;
- last forwarding number (if call forwarding applies)

MCID can be invoked manually by the subscriber or automatically by the network for all unanswered calls.

Manual identification of the caller is available during the active phase of the call.

KSETFEAT (continued)

Mediated Individual Telephony (MIPHONE)

This feature enables a subscriber to activate from any telephone set all the features they have subscribed. MIPHONE can be used at any telephone set capable of accessing the MIPHONE services.

The following information is required by this feature:

- the current location of each MIPHONE user
- the registration and logon state of the MIPHONE user at the current location
- the previous location and state (registration and logon) of the MIPHONE user

Meridian Business Set Camp-on (MBSCAMP)

This feature enables a small business customer to use an MBS as an attendant console, with the ability to camp on busy lines in the customer group. Camp-on from an MBS allows a line with the feature MBSCAMP to extend a call to a busy line. If the party called does not answer the waiting call, then a time-out occurs and the call returns to the MBS phone.

Message Waiting (MWT)

This feature is valid only for the PDN of business sets. The PDN is the DN assigned to key 1 of an MBS. It uniquely identifies the set from among the many DNs that can be assigned to it. It enables the PDN of the set to receive and retrieve messages from the message center.

This feature provides access to the MWT/CAR feature on P-phones (EBS) and ISDN BRAFS. Feature MWT/CAR is available (since BCS32) on P-phones through access codes 1 and 2. BRAFS supports MWT through access code 3.

To support key access to MWT/CAR on a P-phone, the MWT and Leave Message (LVM) feature-indicator pairs must be present. The MWT feature activator is used to retrieve messages (it performs the call request retrieval function). The LVM feature activator performs the call request activation.

Feature MWT is useful in conjunction with feature Call Forwarding (CFX). When the set is busy or does not answer, the call can be routed to the message center and a message taken by the attendant.

Variations of feature MWT are as follows:

- Audible Message Waiting Indication extends the number of notification options for MWT on ISDN sets. Subscribers have three choices of notification types as a method for alerting a user of a pending message. These choices are MWL, STD and MWL_STD. Table Tones defines the

KSETFEAT (continued)

audible pattern of the STD. The MWL_STD notification type couples STD and MWL as one notification type. This variation is available only for ISDNKSET_LCC.

- Call Request (CAR) allows the user to make a call request against another line or set when the terminator is busy or does not answer. Only one call request can be placed against a terminating station.
- Call Request Exempt (CRX) exempts the user from call requests made against the line.
- Call Request Retrieval/Call Forwarding Interaction (CRRCFW) enhances the existing Call Request Retrieval (CRR) feature when invoked by a display set. The CRR feature follows call forwarding options applicable to the initiator of the call request. The retriever's display set (with name, or reason display, or both assigned) lists the initiator's number, as well as the forwarded-to number. This display notifies the retriever that call forwarding is in effect for that number.

Access codes associated with this feature are as follows:

- Call request activate (CRA)
When a line is busy or not answered, a call request can be placed against the terminating line by dialing the CRA access code.
- Call request retrieve (CRR)
Messages and call requests can be retrieved by dialing the CRR access code.
- Call request delete specific (CRDS)
By dialing the CRDS access code followed by the DN of the requestee, the requester can delete a call request placed against the requestee.
- Call request delete all (CRDA)
The requestee can dial CRDA access code to delete all messages and call requests queued for its line.

Message Waiting Indication (MWIDC)

This feature allows a message center operator using an electronic telephone set (ETS) with display to turn feature MWIDC on at a user's telephone set, to indicate that calls forwarded to the message center are waiting for retrieval. The operator presses an MWIDC key, activating feature MWIDC and the user's lamp lights (for link telephones) or stuttered dial tone is heard on going off-hook (for 500/2500 sets).

MWIDC is a set feature and can be assigned only to sets with a display and an associated lamp. When the MWIDC key is pressed, Message Waiting

KSETFEAT (continued)

Indication is activated at a forwarded user's set and the user's lamp is lit. Upon call retrieval, pressing the MWIDC deactivates Message Waiting Indication at the calling user's set.

(ETSI) Message Waiting Indicator (MWI)

Voice mail service centers (VMS) alert subscribers that a message is waiting by sending an MWI signal. This feature enables the DMS-100P product to communicate an MWI signal over ETSI SS7 and ETSI ISDN networks. The feature provides new functionality for ETSI PRI agents (as receiving and controlling users) and ETSI BRI agents (as receiving users).

The feature also makes the interworking and messaging of the existing MWT and EMW features compliant to ETSI SS7 TCAP standards.

The feature relates to the communication of the MWI only. The way that the subscriber accesses and manages voice messages is beyond the scope of the feature.

In addition to the changes in table KSETFEAT detailed in 'KSETFEAT feature MWI', the feature also requires datafill in tables:

- TRKOPTS
- SLLNKDEV
- OFCENG (new office parameter DEFAULT_MWI_XLA_ENTRY)

Message Waiting Query (MWQRY)

This feature enables a message center operator using an ETS with display to cancel a displayed DN and manually enter a correct DN with which to check for messages for call retrieval.

For example, a user calling the message center from a telephone other than the telephone forwarded to the message center, has the number from which the call originated displayed on the operator's telephone.

MWQRY is a set feature and can be assigned only to sets with a display and an associated lamp. When the MWQRY is pressed, the calling DN is canceled. When the correct DN is entered for message retrieval, pressing the MWDIC key deactivates feature MWIDC at the calling user's set.

Metering Origination Group (MOG)

This feature provides metering for ETSI BRI line agents. Different types of call originator agents that use the same tariff can be grouped together into metered origination groups (MOG). Grouping the agents into MOGs reduces the amount of data that is generated and processed.

KSETFEAT (continued)

All the agents in a MOG use the same tariff if they make identical calls. In this event, identical calls have the same distance, destination, and time information. If two agents from different MOGs make the same call, the associated tariff can be different.

Multiple Appearance Directory Number Ring Forward Manual (MRFM)

This feature provides for the forwarding of ringing of MADN group appearances. The MRFM feature is assigned to an EBS key and, when pressed, forwards the ringing of active calls on all MADN appearances on the set that are associated with the MRFM key.

The table control procedures for datafilling EBS (and MBS) ring forward are also used for datafilling electronic key telephone service (EKTS) ring forward.

Multiple Music on Hold Line Option (LMOH)

This feature allows the service provider to define multiple music on hold sources across one customer group. The LMOH feature provides an alternate music source for IBN, KSET, and MFT (ISDN) lines.

Note: Only line option PRK provides audio for MFT (ISDN) lines in APC007.

LMOH works in conjunction with line options that provide music on hold. If LMOH is not on the line, the audio source defaults to the one datafilled for the hold option that is active.

Multiple Station Message Waiting Indicators (MSMWI)

This feature provides a visual indication of a message waiting for a primary terminal on one or more secondary terminals. A primary terminal must be datafilled with the Message Waiting (MWT) or Executive Message Waiting (EMW) feature. All attempts to remove MWT or EMW from the primary terminal are blocked until all MSMWI assignments associated with that primary terminal are removed from the corresponding secondary terminals.

This feature is created in the module structure list (MSL) layer to store instances of feature MSMWI and related feature information. As MSMWI is datafilled through table KSETFEAT, the primary LEN and key associated with the secondary LEN and key are stored. The MSMWI table is a read-only table, and write access is permitted only through table KSETFEAT.

Network Resource Selector (NRS)

This feature is only valid for a DU. Activation of this feature causes a connection to the non-busy outbound DU—Modem pair selected from a

KSETFEAT (continued)

modem pool by the switch when the user hears the carrier or answer tone when the far-end modem goes off-hook.

The NRS key is pressed by the user when modem carrier tone, or answer tone, or both is heard over the built-in speaker to insert outbound modem pools.

If automatic modem insertion is required for speakerless data units where the outbound modem pool can be inserted automatically, audio tone detector NT5X29AC (Audio Answer Detect Digitone Multifrequency) is required in the maintenance trunk module (MTM). This detector detects modem answer tone (2000 to 2250 Hz) after the far end has answered.

The NRS key can be pressed to manually insert modem pools even when automatic modem insertion (AMI) is present or when the audio tone detector is unavailable.

Night Service (NGTSRVCE)

This feature enables an ACD supervisor to press a night service key on a supervisor set, placing all ACD agent sets belonging to an ACD group, into NGTSRVCE mode. ACD calls arriving to the ACD queues after feature NGTSRVCE has been activated are routed to a specified treatment (as datafilled in table ACDGRP). The SUPR feature must be datafilled as key 1 on the supervisor set before feature NGTSRVCE can be assigned.

A supervisor set can have several Night Service keys, each one for a different ACD group. Two supervisor sets cannot have a Night Service key for the same ACD group.

Observe Agent (OBS)

This feature enables an ACD supervisor to control the quality of service offered to callers by monitoring the performance of ACD agents belonging to a particular ACD subgroup, with which the Observe Agent key is associated.

Before assigning this feature, the SUPR feature must be datafilled for key 1 in table KSETFEAT to identify a supervisor telephone set. The supervisor can listen or enter the conversation through use of the CAG key (datafilled in table KSETLINE).

The Observe Agent feature allows an ACD supervisor to observe agents within only one specified ACD group and subgroup for each OBS key. The Extended Agent Observe feature allows an ACD supervisor to observe any ACD agent or supervisor set having an INCALLS key and belonging to any ACD group, but within the same customer group.

KSETFEAT (continued)

A warning tone is given if option OBSWTONE (observe warning tone) is specified in field OPTION of the ACD group in table ACDGRP. This tone is applied (if the option is chosen) when observation is invoked and at the start of each call while observation is in effect. This tone is heard by the observed agent and not the ACD caller. The Observe Agent tone is the same frequency, level and cadence as the Executive Busy Override (EBO) and Directed Call Pickup Barge-In warning tone.

When the Observe Agent feature is initially invoked, the supervisor enters OBS-selection mode. The supervisor can then enter the extension of an agent position's INCALLS key to select an agent position to observe.

Certain conditions must be met before the supervisor enters OBS-observation mode:

- The agent position observed must be in the same ACD group and subgroup as the supervisor's active OBS key. If the supervisor wants to observe agents or supervisors belonging to other ACD groups, the Extended Agent Observe feature must be datafilled.
- The agent position must be active on a simple two-port ACD call, that is, the call does not involve an attendant console, is not involved in a conference, and no other feature is active on the call.
- A tone circuit must be available to give the agent a warning tone when being observed. This condition only applies if OBSWTONE was chosen for the ACD group.
- No other call can be on hold at the agent position. The ACD call must be the only call at the agent position.

If all the above conditions are met, a listening path into the ACD call is set up. If the supervisor is blocked from entering OBS-observation mode, reorder tone is given, the OBS lamp turns off, and the Observe Agent feature is terminated.

While in the OBS-observation mode, the supervisor can press the CAG key voice path and enter OBS-conference mode. The OBS lamp begins flashing.

Note 1: Before assigning the Observe Agent feature, the SUPR feature must be datafilled for key 1 in table KSETFEAT to establish a supervisor telephone set.

Note 2: Feature OBS is valid only for a business set, and it requires a key with an associated lamp.

KSETFEAT (continued)

Originating Line Select Option (OLS)

This feature consists of two options: Idle Line Select (IDLE) and No Line Select (NOSELECT). The IDLE option enables automatic connection to an idle line when going off-hook.

If more than one line is idle, the search for an idle line begins with the PDN up to the highest DN key until an idle line is selected. The NOSELECT option requires a user always to manually select the originating line by pressing the desired DN key.

Power Feature (PF)

This feature provides the user with a display set to enhance the usability of existing features and supplies more functionality. Name programming in Power Feature allows a user to add, or change, or delete the network specific name associated with their DN from their set or a designated administrator set. The name in table DNATTR is modified accordingly.

Name programming is menu driven with prompts appearing on the display requesting inputs (and displaying responses). PF allows the user to talk to the switch through the keypad of the users terminal. The user is offered a set of actions through display in the form of informative text and softkeys.

As a security measure, each line with PF can be designated as a general user or an administrator. General users can only change the name of their own DNs. The administrator can change the name associated with any DN in the customer group. A password can be defined for each set to control and limit access to PF.

PF is either a key or code access feature. It can be assigned to a vacant key or the code datafilled in table IBNXLA can be used to activate PF.

Each operating company has the ability to enable and disable PF at the command interpreter (CI) level of the switch.

Primary Inter-LATA Carrier (PIC)

This feature assigns a PIC to an IBN line. The IC_INC_CARRIER_NAME defined in table OCCNAME is entered as the PIC of the subscriber or nil carrier (NILC) is entered. The CHOICE option is datafilled with Y (yes) or N (no) to indicate whether or not the subscriber is allowed to access carriers other than the PIC.

Primary Intra-LATA Carrier (LPIC)

This feature provides intra-LATA (local access and transport area) pre-subscription, screening, and routing capabilities for Meridian Digital Centrex (MDC) and private exchange (PX) trunks of an equal access end office

KSETFEAT (continued)

(EAEO) that use a primary carrier for their intra-LATA services. This includes ISDN subscribers. If no intra-LATA carrier is chosen, the subscribers' intra-LATA calls are handled as previously datafilled.

The table KSETFEAT field LCHOICE allows subscribers with the LPIC feature to dial 10XXX/101XXXX intra-LATA calls independent of their PIC choice.

Privacy (PRV)

This feature enables any MADN single bridge arrangement (SBA) member on a call to prevent other idle members from bridging in. Normally MADN SBA allows other members to conference into the call, but after the Privacy feature is activated by the active member, any attempt to bridge in is given audible treatment and locked out. This feature does not require the association of a lamp with the key.

Feature PRV is a set feature which is applicable only to business set MADN SBA members and must be assigned to a vacant key (no lamp required) if key activation is desired. This feature is not valid for DUs.

Privacy Change Allowed (PCA) CIDS

This feature gives the operating company the ability to allow and deny the originator control over the presentation indicator (PI) in the calling name identification element (CGNIE) of the ISDN SETUP message. PCA has three controls: the PCACIDS line option, the PCACIDS customer group option, and the office parameter. The DN option takes precedence over the customer group option and the office parameter ISDNBRI_PRIVACY_CHANGE_ALLOWED, and the customer group option takes precedence over the office parameter. This feature applies to ISDN BRI sets only.

Privacy Release (PRL)

This feature is used to establish a conference call among MADN single call arrangement (SCA) members and an external party. A maximum of 30 parties is permitted in a single MADN call. Privacy Release is allowed only when the external party is not the attendant or operator and the call has progressed to the talking stage.

This is a set feature which is applicable only to business set MADN SCA members and must be assigned to a key; however, it does not require the association of a lamp with the key. This feature is not valid for DUs.

Private Business Line (PBL)

This feature enables the DN appearances on the set to look like POTS lines with POTS dialing plan. All features assigned to the keyset are not available to

KSETFEAT (continued)

PBL. Station Message Detail Recording (SMDR) applies to the PBL. This feature is not valid for DUs.

Query Busy Station (QBS)

This feature enables the monitoring or alerting of a busy or idle status of a specific set. The monitored set can be a 500/2500 or a business set. Pressing the QBS key puts the station in monitor station mode.

If the monitored station is idle, the lamp flashes at 60 impulses per minute (IPM) immediately and an optional 1-s burst of buzz tone is given. After a 5s time-out period, the lamp is extinguished and the station exits the monitor mode.

If the monitored station is busy, the lamp is turned on until the station becomes idle or the request is canceled. When the monitored station becomes idle, the lamp flashes with an optional buzz tone that is extinguished after a 5s time-out period.

Feature QBS must be assigned to a key with an associated lamp. This is a key feature and more than one key can be assigned feature QBS to monitor a few stations.

Query Time and Date (QTD)

This set feature can be assigned only to sets with a display. A lamp is not required for this feature. When the QTD key is pressed, the current time and date is displayed for 15 s or until another feature or action using the display is activated.

The display shows the date, followed by the time in 24-h format: YY/MM/DD HH:MM.

Quick Conference Key (QCK)

This feature enables call transfer by activating a single predefined feature key on the agent's EBS. The QCK feature can be defined as selective or fixed transfer. It eliminates all the actions that were previously necessary when transferring a call (setting up a conference using the conference key or flash signal and using a speed calling key).

Random Make Busy (RMB)

This DN feature can be assigned to any hunt line, DN hunt (DNH), multiline hunt (MLH), or distributed line hunt (DLH). The feature provides a miscellaneous scan point circuit controlled by an external key. The line is made permanently busy when the key is activated, and is normal when the key is not activated. The same scan point can be assigned to one, several, or all lines within the hunt group, depending on the lines made busy.

KSETFEAT (continued)

Remote Message Indicator (RMI)

The Remote Message Indicator (RMI) feature enhances current residential voice messaging services by offering some of the advantages of Telephone Answering Devices (TAD). RMI allows subscribers to check for the existence of new messages in their Voice Messaging System (VMS) from a remote station. Subscribers call their home stations and receive an indication of whether or not there are any messages in their voice mailboxes based on the number of audible ringback cycles before the call is forwarded to their VMS. Subscribers can thus verify the existence of messages without connecting to the VMS and without incurring long distance charges when applicable.

Requested Suspension (RSUS)

This feature is assigned to a DN appearance when the customer requests suspension of service.

If RSUS is assigned, specify the treatments received by calls that originate from and terminate to the customer line.

ISDN BRI Reverse Charging (REV)

This feature provides a reverse charging (REV) supplementary service which uses Case C Transfer Mode for ISDN BRI lines over a Turkish CCS7 network.

The REV service can be activated by the called user during the active phase of the call, and is deactivated when the call terminates. The charging function is performed at the call destination side, and the called user is charged for the duration of the call.

Ring Again (RAG)

This feature applies only if option RAGTIM is assigned in table CUSTSTN.

In NA008 the ISDN idle notification trigger condition is enhanced. The enhancement is based on the notification busy condition for each separate call type. The enhanced trigger occurs when the notification busy condition is cleared, and then notifies the RAG feature.

Set Based Busy Lamp Field/Direct Station Select

This feature enables the Meridian Business Set end user to monitor the busy or idle status of a telephone and place calls directly to a monitored DN. See the Busy Lamp Field (BLF) feature for datafill requirements.

Security Code (SEC)

This feature is a DN feature assigned to an individual DN to secure certain features. When assigned, the security code must be supplied or the feature is not activated.

KSETFEAT (continued)

Selective Call Forwarding (SCF)

This feature enables a subscriber to define a list of DNs and destination DNs and have the incoming calls from those DNs forwarded to the destination DN.

Set Based Monitoring of MADN SCA by SBLF

Set Based Monitoring of MADN SCA by SBLF adds a functionality to the feature Set Based Busy Lamp Field (SBLF). This functionality provides set-based monitoring of a MADN SCA group, in addition to the existing group-based monitoring.

Set Based Monitoring of MADN SCA by SBLF refines the feature option SBLF and adds the following two fields. SERVORD datafills these fields. These fields appear in table KSETFEAT as refinements of BLF:

- **MONITOR_TYPE.** If the SBLFDN in the feature option is MADN SCA shared DN, SERVORD datafills only the field MONITOR_TYPE.
- **MONITOR_LEN.** If the value of MONITOR_TYPE is SET_MONITOR, SERVORD datafills the field MONITOR_LEN.

The feature option SBLF can be datafilled through SERVORD.

Simultaneous Ringing (SIMRING)

The RES Simultaneous Ringing (SimRing) feature allows simultaneous alerting of a predefined group of up to five DNs. This simultaneous alert occurs when the pilot DN of the group receives a call. The first alerted DN that answers the call connects to the calling party. At the same time, the calls to the other alerted DNs are released.

Single Line Queue (SLQ)

This feature provides end users of the MBS with the ability to queue calls against a single DN.

By allowing a single line queue, the MBS application ensures a higher rate of call completion at a reasonable cost to the end user.

Special Billing (SPB)

This feature enables the designation of a billing DN, other than the station's DN. For SMDR, the SPB DN is used if this feature is assigned to the line. The SPB DN must be a seven- or ten-digit number of the North American numbering plan format.

Speed Calling Long List (SCL)

This feature enables a customer to place calls to a previously designated list of frequently called numbers by dialing a two-digit speed calling code instead of the complete number.

KSETFEAT (continued)

The long list can consist of 30, 50, or 70 numbers. The speed calling codes assigned to stored numbers can range from 00 to 69 but must not conflict with codes used for other features.

The list can belong to an individual line, in which case it can only be updated, deleted from, and used by this line. It can also be accessed by a number of users, in which case it becomes a Group Speed Calling list. Only one line, called the controller, can change the contents of this list.

Speed Calling Short List (SCS)

This feature enables a customer to place calls to a previously designated list of frequently called numbers by dialing a one-digit speed calling code instead of the complete number.

The short list can consist of a maximum of ten stored numbers. The speed calling codes assigned to stored numbers can be from 0 to 9.

Station Message Desk Interface (SMDI)

This feature can be assigned only to a DN key that has the UCD feature defined in table KSETLINE. Feature UCD can be assigned only to one DN key for the business set. A message desk for SMDI is a combination of UCD group, a pilot DN, a full-duplex datalink and serves as an answering service for stations with calls forwarded to it.

This feature has the following capabilities:

- the identification of the called and calling party numbers
- an indication of the call forwarded condition
- the ability to activate the Station Message Waiting Indication

Station Origination Restrictions (SOR)

This feature can be assigned to any DN appearance so the DN can be placed into an SOR group. A station or an attendant console that acts as an SOR controller can apply an SOR level (0, 1, 2, 3, or 4) against the SOR group. The SOR group members cannot span customer groups.

The SOR levels can be applied to DNs or groups of DNs by attendants if the SORC option is datafilled to an attendant console key in table FNMAP. The SOR levels can be applied to DNs or groups of DNs by subscribers if the SORC option is datafilled to the DN of the subscriber in table IBNLINES or table KSETLINE.

A level 0 (zero) restriction permits completion of all calls allowed by the network class of service (NCOS). A level 1 restriction permits completion of

KSETFEAT (continued)

only intragroup calls and calls specified in an exception list. A level 2 restriction allows completion of only the intragroup calls completed. A level 3 restriction permits completion of only calls specified in an exception list. A level 4 restriction allows completion of only 911 emergency calls.

Table SORLIST stores the maximum number of SOR groups for each customer group and the exception list of calls allowed by SOR levels 1 and 3.

Station Specific Authcode (SSAC)

This feature enables the operating company to limit the validity of an authorization code (authcode) to a single set. This restriction increases security by proving that calls are made by the subscriber who uses a particular SSAC, since the authcode is linked to that subscriber's station.

SSAC eliminates the problem of unauthorized long distance charges and unfamiliar DNs appearing on a user's accounts by granting privileges to the caller only after the authcode is verified against the station from which it was dialed.

An SSAC is a two- to ten-digit set of numbers that is dialed from a specific station to record billing information and override the network class of service (NCOS) restrictions placed on the station.

There are three different types of authcode. These can be specified in table AUTHCDE:

- System wide authcodes (SW): These can be accessed from all stations, except those that have SSAC assigned.
- Super authcodes (SUPAC): These can be accessed from any station, including those that have SSAC assigned.
- Station specific authcodes (SSAC): These can be accessed only from the station to which they are assigned.

If feature SSAC is assigned to a set in table AUTHCDE, table IBNFEAT or KSETFEAT must also be datafilled.

Multiple stations are sometimes assigned to the same SSAC, due to users needing access from different locations; a maximum of seven stations are allowed for each SSAC. Each station can have a maximum of ten SSACs assigned for each DN. SSAC can be assigned to as many DN appearances on a station as required.

KSETFEAT (continued)

Stop Hunt (SHU)

This feature can be assigned to any DN appearance that belongs to a hunt group, DNH, MLH, or DLH. This feature provides for a miscellaneous scan point circuit controlled by an external key. When the key is not activated, the line is normal. The hunting feature is canceled when the key is activated. The same miscellaneous scan point can be simultaneously assigned to one, several, or all lines within the hunt group, depending on the number of lines having hunting canceled.

Subscriber-activated Call Blocking (SACB)

This feature enables subscribers to control calls originating from their lines by identifying call class or classes that restrict completion to certain dialed numbers. Restricted calls are routed to a digital recorded announcement machine (DRAM). Feature SACB is activated through an access code.

This feature is available to Residential Enhanced Services (RES) and Meridian Digital Centrex (MDC) lines.

Subscriber Line Usage (SLU)

This feature is assigned to a DN appearance that requires a peg count of all originating and terminating calls. In order for the monitoring of a DN appearance by the subscriber line usage system, it must first be added to the SLU tables, either directly or using the SLUADD command. Lines can be added to the SLU tables by either specifying the line's DN or the line operational equipment (OE) number that corresponds to the LEN of the line.

For keysets (business set and DUs) the OE number is used only to identify the set's PDN appearance. All secondary numbers are represented only by their DN.

If the SLU_LMINSTALL command is used to create a measurement table of all the working lines on a specified line module, only the PDN appearances of keysets located on that line module are added to the table.

If the switching unit has feature BR0361 (OM—DMO Selective SLU Scan Interval), then office parameter OPTIONAL_SLU_FEATURE in table OFCOPT and office parameters ENG640M1_SCAN_RATE, TRA250M1_SCAN_RATE, TRA125M1_SCAN_RATE, and TRA125M2_SCAN_RATE in table OFCVAR must be set to the correct value.

Supervisor (SUPR)

In order to distinguish an ACD supervisor set from an ACD agent set, the supervisor set is datafilled with the SUPR option for key 1. The SUPR feature must be assigned to an ACD subgroup that is in the same customer group as the PDN or INCALLS key of the supervisor set.

KSETFEAT (continued)

The SUPR feature must be assigned to an ACD supervisor set before the ACD features Agent Status Lamp (ASL), Observe Agent (OBS), Night Service (NGTSRVCE), and Display Queue Status (DQS) can be assigned.

Terminating Billing Option (TBO)

This feature enables the operating company to charge the terminator for usage. An AMA record is generated when a call terminates to a line or through a virtual facilities group (VFG). This feature enables the operating company to have an access charge for each termination and to assign up to 200 unique call codes and optionally 200 unique service feature codes.

Terminating Line Select (TLS)

This feature consists of two options: Incoming Call Select (INCOMING) and No Line Select (NOSELECT). The INCOMING option enables a user to automatically answer an incoming call when going off-hook.

When more than one line is idle, the search for an idle line begins with the PDN up to the highest DN key until an idle line is selected. The NOSELECT option requires a user to select manually the line to answer by pressing the desired DN key.

Three-way Calling (3WC)

This feature enables any DN appearance on the assigned set to add another party to an existing connection for a three-way conference. This feature affects the value of office parameters NUMPERMEXT and NMULTIBLKS in table OFCENG.

The test line and final line data is loaded into the switch from tape using the table editor. All other additions, deletions, and changes are entered through the Service Order System (SERVORD). For information on SERVORD, see the *SERVORD Reference Manual*.

Three-way Calling Public (3WCPUB)

This feature can be assigned to business sets and M5000 series sets, that can be used as E911 line public safety answering points (PSAP).

The Call Transfer (CXR) feature must be assigned to a feature key on the EBS or M5000 series set. Feature 3WCPUB is assigned to the primary DN key. Refinements are added to support the optional fields associated with feature 3WCPUB.

The test line and final line data is loaded into the switch from tape using the table editor. All other additions deletions and changes are entered through SERVORD. For information on SERVORD, see the *SERVORD Reference Manual*.

KSETFEAT (continued)

Trunk Member Display (TRKDISP)

This feature enables Meridian business set/integrated voice and data (MBS/IVD) users to display the names (CLLI) and circuit member numbers on which they are active. The trunk member display feature is activated and deactivated when the user presses the TRKDISP key of an MBS/IVD display set.

Uniform Call Distribution Login (UCDLG)

This feature can be assigned to one or more vacant keys with lamp display on the EBS after the Uniform Call Distribution (UCD) option is assigned to a DN key in table KSETLINE. Option UCD can be assigned only to one DN key for the entire EBS. Each UC DLG key allows the UCD line to log in to a different UCD group.

Uniform Call Distribution (UCD) enables even distribution of calls to a number of predesignated 500 or 2500 or electronic business sets (EBS) stations. UC DLG can be assigned to one or more vacant keys with lamp display after the UCD option is assigned to one DN key in table KSETLINE.

The UCD login (UC DLG) key allows the UCD DN to log in to various UCD groups and log out.

Uniform Call Distribution Signal Distribution Point (UCDSD)

This feature enables the assignment of a signal distribution point to monitor the UCD log in and log out for the set through an external monitor device connection. It is assigned to the DN key of the set that has been assigned UCD in table KSETLINE.

Only one DN key can have UCD assigned for the whole set.

Voiceband Information (VI)

This option applies to ISDN BRI lines only. When you assign the VI (or CMD) option to a line, the VI and the CMD call types share the DN across LTIDs on the same interface. The call types of the LTIDs for the shared DN appear in this table.

Voice Mail Easy Access Deny (VMEADENY)

This feature denies subscriber line access to the access code (*98) method of accessing the subscribers Voice Messaging System (VMS).

Voice Mail Easy Access Directory Number (VMEADN)

This feature provides subscriber line access to the access code (*98) method of accessing the subscribers Voice Messaging System (VMS).

KSETFEAT (continued)

Wake-up Call (WUCR)

This feature provides a wake-up call service for RES and MDC lines. It is assigned through a line option and is activated by an access code.

Warm Line (WML)

This feature starts a timer whenever a Residential Enhanced Services (RES) or Meridian Digital Centrex (MDC) line goes off-hook. If dialing does not begin before the timer expires, a call is automatically set up to a WML DN (WMLDN). If dialing begins before the timer expires, the timer is canceled and normal call or feature processing continues.

Feature WML permits the subscriber, as well as the operating company, to modify the WMLDN and enable or disable the feature.

Datafill sequence and implications

Depending on the feature, the following tables must be datafilled before table KSETFEAT:

- CUSTSTN
- OFCOPT
- SORLIST

The customer must enter the provider name in table LSPINFO before entering the LSPAO or LSPSO option in the KSETFEAT table.

The following tables must always be datafilled before the KSETFEAT table:

- ACDGRP
- KSETINV
- ACDSGRP
- CSDDSCUG
- AUDPRGM
- RESGROUP
- IBNRTE
- IBNXLA
- KSETLINE
- LENLINES
- OFRT
- SPECCONN

KSETFEAT (continued)

- TMINV
- UCDGRP
- LTDEF
- BCDEF
- TRIGGRP
- TRIGITM

The following table can be datafilled before or after table KSETFEAT:

- ETSIFEAT

Error messages

The following error message appears if you attempt to datafill this table using the table editor:

Protected table, use SERVORD to change.

Use the Service Order System (SERVORD) for all additions, deletions, and changes. For information, see the *SERVORD Reference Manual*.

Table size

Memory for this table is dynamically allocated.

Table history

MMP15

Added feature UUS1.

Added feature REV (ISDN BRI Reverse Charging).

Added feature MOG.

NA015

Added option AINDENY information.

MMP14

Added subfield FTCODE (Feature Access Code) to option WML for feature Warm Line Interaction with Octothorpe Translation.

Added feature CCNR.

Added feature (ETSI) MWI.

KSETFEAT (continued)

NA013

Added the OVDN field information to the KSH feature.

MMP12

Added the COLR supplementary service.

NA012

Removed value XXTRIG information.

NA011

Added value XXTRIG information.

NA010

The following changes were made for this release:

- Added the ISDN BRI feature BBGI for enhanced billing for ISDN basic business group facilities and services.
- Added the ISDN BRI features VI and CMD for DN Sharing with Different Circuit-Mode Call Types.
- Added the LSPSO feature for assigning a local service provider switch owner to a DN.
- Network Intelligent Call Management (AU2799) adds the NETICM suboption to the ECM line option.
- Added the feature key assignment information for the COT feature.
- Added the RES Simultaneous Ringing feature.

NA009

The following changes were made for this release:

- Removed IEFCFB and IEFCFD from the list of CFW subfeatures supported by CFXDNCT on NI-2 terminals.
- Added information about the CFFPOVR feature.
- Added the DENY option to the range of values for the FEAT subfield of FEATKEY.
- Added the DENY option to the range of features available to ISDNKSETs.
- Added DENY refinement to KVAR for the DENY_OPTIONS list.
- Added information about the Set Based Monitoring of MADN SCA by SBLF feature.
- SERVORD entries automatically update table KSETFEAT: for the local service provider (LSP) account owner (AO) option. The LPSAO option

KSETFEAT (continued)

allows subscribers to specify whether a line is native to the switch, unbundled, or resold.

- Added AMWI to extend the number of notification options for MWT on ISDN sets.

NA008

The following changes were made for this release:

- Added ISDN BRI features CIDSSUP, CIDS DLV, and PCACIDS for feature AF6627, ISDN Calling Name/Number Privacy.
- Added ISDN BRI features CFXDNCT and CFXVAL for feature AF6901, NI-2/NI-3 ISDN Call Forwarding.
- Added table control information about CFX features on ISDN terminals with shared DNs, feature AF6782.
- Added ISDN BRI features DBC and CRBL for feature AF6658.
- Added information to feature descriptions for ACB, AR, CFX, CPK, KSH, and RAG for changes created by feature AF6658.
- Added information to bypass any key assigned to PMD in KSETLINE when using CFX or KSH.
- Added information about the TRKDISP feature.
- Added Remote Message Indicator (RMI) information.
- Added ISDN NI-2 TRANSFER feature.
- Added information to restrict the XFER feature to pre-NI-2 terminals.
- Added information about support for ACB and AR features on ISDN BRI terminals for feature AF6619, ISDN BRI Access to CLASS ACB/AR.

EUR006

Added the following features to table KSETFEAT:

- Advice of Charge (AOC)
- ETSI Call Waiting (CW)
- Malicious Call ID (MCID)
- Closed User Group (CUG)
- Call Complete to Busy Subscriber (CCBS)
- Direct Dialing In (DDI)

KSETFEAT (continued)

Removed the following feature from table KSETFEAT:

- Additional Call Offering Unrestricted (ACOU)

APC007

The feature Multiple Music on Hold Line Option (LMOH) was added.

NA007

The Functional description section (Key Short Hunt) has been updated for the NA007 release of this document. This update was made in response to a Problem Resolution System (PRS) request for the NA007 timeframe.

The following changes were made in this release:

- Options VMEADENY and VMEADN were added to table KSETFEAT.
- The International Primary Carrier (INTPIC) feature was added to table KSETFEAT.
- Incompatibility of the Malicious Call Hold (MCH) feature with call-originating ISDN telephone sets was indicated.
- Description of enhancement to SERVORD added: DEO CFD is less restrictive.

NA006

A description of the Call Forward Timed feature and options CFTB and CFTD were added.

NA005

The following updates were added for this release:

- Error message information added to “Error messages” section in accordance with Enforcement of SERVORD.
- Feature ECM (Extended Call Management) was transferred from table KSETLINE in accordance with CompuCall Associate Enhancements.
- Note describing the impact of ONP added to ECM feature description.
- Description of feature CSMI added in accordance with Call Screening, Monitoring, and Intercept.

NA004

The fields for Call Forwarding (CFX) to allow 30-digit DN's were changed.

KSETFEAT (end)

NA003

The following changes were made in this release:

- The Single Line Queue (SLQ) feature was added.
- The description of the Set Based Busy Lamp Field (SBLF) feature was added.
- The subfield Set Based was added to the field Key Variable (KVAR).
- Descriptive information was added to subfield BLFDN of field KVAR.

BCS36

The following changes were made in this release:

- Added reference to section “Common entry field LEN” for all features.
- Added features Advanced Intelligent Network (AIN) and Deny Malicious Call Termination (DMCT).
- Deleted subfield ACOU for feature ACOU and refinement LOCK for feature PF.
- Corrected field names for features ACB, AR, COT, EMW, LOCAL, OBS, SUPR.
- Corrected entries for subfield KEY for feature AUD and fields STATUS and SACBCC for feature SACB.
- Added subfield FEATURES to feature SEC.
- Clarified refinements for features KSH, MRFM, and PF.
- Removed references to the Terminal management Environment.

KSETFEAT feature 3WC

Three-way Calling

For a description of feature 3WC, refer to KSETFEAT.

This is a set feature and must be assigned to a vacant key.

The following information is required for a set assigned with the Three-way Calling feature:

- if the set is remote, the site name of the remote location
- the key number and the line equipment number (LEN) of the set to which the feature is assigned

Datafill

The following table lists the datafill for table KSETFEAT feature 3WC.

Field descriptions (Sheet 1 of 2)

Field	Subfield or refinement	Entry	Explanation and action
FEATKEY		see subfields	<i>KSET feature key</i> This field consists of subfields LEN, KEY, and FEAT.
	LEN	see subfields	<i>Line equipment number</i> This field defines the physical location of the equipment that is connected to a specific telephone line. Because field LEN is common to more than 60 tables, it is documented in a single section to avoid unnecessary duplication. Refer to section "Common entry field LEN" for a complete description of field LEN and associated subfields. For ISDN lines, field LEN consists of subfield LTID. For non-ISDN lines, field LEN consists of subfields SITE, FRAME, UNIT, DRAWER or LSG, SHELF, SLOT, and CIRCUIT.
	KEY	1 to 69	<i>Physical key</i> Enter the number associated with the physical key to which the feature is being assigned. For M2317 digital telephones, only keys 1 to 11 can be assigned.

KSETFEAT feature 3WC (end)

Field descriptions (Sheet 2 of 2)

Field	Subfield or refinement	Entry	Explanation and action
	FEAT	3WC	<i>Feature</i> Enter 3WC for the Three-way Calling feature.
FEATURE		3WC	<i>Feature</i> Enter 3WC.

Datafill example

There is no example for feature 3WC.

KSETFEAT feature 3WCPUB

Three-way Calling Public

For a description of feature 3WCPUB, refer to KSETFEAT.

This is a set feature and must be assigned to the primary directory number (DN) key on an electronic business set (EBS) or M5000 set configured as a line public safety answering point (PSAP).

The following information is required for a set assigned with feature 3WCPUB:

- if the set is remote, the site name of the remote location
- the key number and the line equipment number (LEN) of the set to which the feature is assigned

Datafill

The following table lists the datafill for table KSETFEAT feature 3WCPUB.

Field descriptions (Sheet 1 of 2)

Field	Subfield or refinement	Entry	Explanation and action
FEATKEY		see subfields	<i>KSET feature key</i> This field consists of subfields LEN, KEY, and FEAT.
	LEN	see subfields	<i>Line equipment number</i> This field defines the physical location of the equipment that is connected to a specific telephone line. Because field LEN is common to more than 60 tables, it is documented in a single section to avoid unnecessary duplication. Refer to section "Common entry field LEN" for a complete description of field LEN and associated subfields. For ISDN lines, field LEN consists of subfield LTID. For non-ISDN lines, field LEN consists of subfields SITE, FRAME, UNIT, DRAWER or LSG, SHELF, SLOT, and CIRCUIT.
	KEY	1 to 69	<i>Physical key</i> Enter the number associated with the physical key to which the feature is being assigned.

KSETFEAT feature 3WCPUB (continued)**Field descriptions (Sheet 2 of 2)**

Field	Subfield or refinement	Entry	Explanation and action
	FEAT	3WCPUB	<i>Feature</i> Enter 3WCPUB for the Three-way Calling Public feature.
FEATURE		3WCPUB	<i>Feature</i> Enter 3WCPUB.
KVAR		see subfield	<i>Key variable area</i> This field consists of subfield LOOPCON.
	LOOPCON	Y or N	<i>Loop console</i> Enter Y (yes) to indicate the electronic business set (EBS) or M5000 set is configured as a 50B console and datafill refinement SPLITKEY. Otherwise, enter N (no). No further datafill for this feature is required. The application of the 3WCPUB feature with the LOOPCON field set to Y is restricted to NT6X17 line cards on a line concentrating module (LCM). The 3WCPUB option with the LOOPCON field set to N is applicable to any line card.
	SPLITKEY	OCTorSTAR	<i>Split key</i> If the entry in subfield LOOPCON is Y, datafill this refinement. Enter OCT if the octothorpe key (#) is the split key. Enter STAR if the star (*) key is the split key.

Datafill example

The following example shows sample datafill for table KSETFEAT feature 3WCPUB.

The feature is assigned to key 4 of set with LEN 00 0 02 04 in the host switching unit. The set is configured as a 50B console and the STAR key is the split key.

KSETFEAT feature 3WCPUB (end)

MAP display example for table KSETFEAT feature 3WCPUB

	FATKEY	FEATURE	KVAR
HOST 00 0 02 04 4	3WCPUB	3WCPUB Y STAR	

KSETFEAT feature AAB

Auto Answerback

For a description of feature AAB, refer to KSETFEAT.

This feature can be assigned to a vacant key and lamp pair to activate or deactivate the feature. If it is not assigned to a key, it must be assigned to the primary directory number (PDN) (key 1). The set then has feature AAB permanently activated.

Datafill

The following table lists the datafill for table KSETFEAT feature AAB.

Field descriptions (Sheet 1 of 2)

Field	Subfield or refinement	Entry	Explanation and action
FEATKEY		see subfields	<i>KSET feature key</i> This field consists of subfields LEN, KEY, and FEAT.
	LEN	see subfields	<i>Line equipment number</i> This field defines the physical location of the equipment that is connected to a specific telephone line. Because field LEN is common to more than 60 tables, it is documented in a single section to avoid unnecessary duplication. Refer to section "Common entry field LEN" for a complete description of field LEN and associated subfields. For ISDN lines, field LEN consists of subfield LTID. For non-ISDN lines, field LEN consists of subfields SITE, FRAME, UNIT, DRAWER or LSG, SHELF, SLOT, and CIRCUIT.
	KEY	1 to 69	<i>Physical key</i> Enter the number associated with the physical key to which the feature is assigned. This is either a vacant key or the primary directory number (PDN) key. For M3000 digital telephones, this must be key 19. For M2317 digital telephones, only keys 1 to 11 can be assigned.

KSETFEAT feature AAB (end)

Field descriptions (Sheet 2 of 2)

Field	Subfield or refinement	Entry	Explanation and action
	FEAT	AAB	<i>Feature</i> Enter AAB for the Auto Answerback feature.
FEATURE		AAB	<i>Feature</i> Enter AAB.

Datafill example

An example of datafill for assigning feature AAB to key 5 of the set is shown below.

The LEN of the set is 00 0 02 04 at the host switching unit.

MAP display example for table KSETFEAT feature AAB

	FEATKEY	FEATURE
HOST 00 0 02 04 5	AAB	AAB

KSETFEAT feature ACB

Automatic Call Back

For a description of feature ACB, refer to KSETFEAT.

Feature ACB is supported on ISDN BRI terminals.

The non-ISDN ACB feature can only be activated by code access and can be assigned only to key 1 with a keylist of keys that have ACB. ISDN ACB can be activated either by code access or by pressing a toggle key.

Datafill

The following table lists the datafill for table KSETFEAT feature ACB.

Field descriptions

Field	Subfield or refinement	Entry	Explanation and action
FEATKEY		see subfields	<i>KSET feature key</i> This field consists of subfields LEN, KEY, and FEAT.
	LEN	see subfields	<i>Line equipment number</i> This field defines the physical location of the equipment that is connected to a specific telephone line. Because field LEN is common to more than 60 tables, it is documented in a single section to avoid unnecessary duplication. Refer to section "Common entry field LEN" for a complete description of field LEN and associated subfields. For ISDN lines, field LEN consists of subfield LTID. For non-ISDN lines, field LEN consists of subfields SITE, FRAME, UNIT, DRAWER or LSG, SHELF, SLOT, and CIRCUIT.
	KEY	1	<i>Physical key</i> Enter 1 for the feature activated through code access.
	FEAT	ACB	<i>Feature</i> Enter ACB for the Automatic Call Back feature.
FEATURE		ACB	<i>Feature</i> Enter ACB.

KSETFEAT feature ACB (end)

Field descriptions

Field	Subfield or refinement	Entry	Explanation and action
KVAR		see subfields	<i>Key variable area</i> This field consists of subfields BILLING_OPTION and KEYLIST.
	BILLING_OPTION	AMA or NOAMA	<i>Billing option</i> Enter AMA if an automatic message accounting (AMA) record is generated. Otherwise, enter NOAMA.
	KEYLIST	1 to 69	<i>Key list</i> Enter the keys of directory number (DN) appearances assigned this feature. A maximum of 24 keys can be entered. Separate each key number with a space. If less than 24 keys are assigned, end the list with a \$.

Datafill example

An example of datafill for assigning feature ACB to DN appearances on keys 5, 6, and 7 of the set is shown below.

The LEN of the set is 00 0 02 04 at the host switching unit. An AMA record is generated for the feature.

MAP display example for table KSETFEAT feature ACB

		FEATKEY	FEATURE	KVAR
HOST	00 0 02 04	1	ACB	ACB AMA (5) (6) (7)\$

KSETFEAT feature ACDNR

Automatic Call Distribution Not Ready

For a description of feature ACDNR, refer to KSETFEAT.

This feature only applies to the Automatic Call Distribution (ACD) INCALLS key of the set, which is always assigned to key 1. FEATUREACDNR imposes no restrictions on any secondary directory numbers (SDN) on the ACD position.

Datafill

The following table lists the datafill for table KSETFEAT feature ACDNR.

Field descriptions

Field	Subfield or refinement	Entry	Explanation and action
FEATKEY		see subfields	<i>KSET feature key</i> This field consists of subfields LEN, KEY, and FEAT.
	LEN	see subfields	<i>Line equipment number</i> This field defines the physical location of the equipment that is connected to a specific telephone line. Because field LEN is common to more than 60 tables, it is documented in a single section to avoid unnecessary duplication. Refer to section "Common entry field LEN" for a complete description of field LEN and associated subfields. For ISDN lines, field LEN consists of subfield LTID. For non-ISDN lines, field LEN consists of subfields SITE, FRAME, UNIT, DRAWER or LSG, SHELF, SLOT, and CIRCUIT.
	KEY	1 to 69	<i>Physical key</i> Enter the number associated with the physical key to which the feature is assigned. This must be a vacant key.
	FEAT	ACDNR	<i>Feature</i> Enter ACDNR for the Automatic Call Distribution Not Ready feature.
FEATURE		ACDNR	<i>Feature</i> Enter ACDNR.

KSETFEAT feature ACDNR (end)

Datafill example

An example of datafill for assigning feature ACDNR to key 5 of the set is shown below.

The LEN of the set is 00 0 02 04 at the host switching unit.

MAP display example for table KSETFEAT feature ACDNR

	FATKEY	FEATURE	KVAR
HOST 00 0 02 04 5	ACDNR	ACDNR	

KSETFEAT feature ACOU

Additional Call Offering—Unrestricted

Table KSETFEAT feature ACOU is not compatible with ETSI BRI. The functionality offered by table KSETFEAT feature ACOU is included in ETSI BRI basic call and ETSI BRI call waiting.

For a description of feature ACOU, refer to KSETFEAT.

The ACOU feature can be added to a single functional call (SFC) directory number (DN) key on a basic rate access function set (BRAFS) terminal, provided that the following conditions are met in table LTDEF: field LTMAP is set to B, 2B, BD, or 2BD and field LTCLASS is set to BRAFS.

Datafill

The following table lists the datafill for table KSETFEAT feature ACOU.

Field descriptions

Field	Subfield	Entry	Explanation and action
FEATKEY		alphanumeric	<i>KSET feature key</i> This field consists of subfields LEN, KEY, and FEAT.
	LEN	see subfields	<i>Line equipment number</i> This field defines the physical location of the equipment that is connected to a specific telephone line. Because field LEN is common to more than 60 tables, it is documented in a single section to avoid unnecessary duplication. Refer to section "Common entry field LEN" for a complete description of field LEN and associated subfields.
	KEY	1 to 69	<i>Physical key</i> Enter the key number to which the feature is assigned.

KSETFEAT feature ACOU (end)

Field descriptions

Field	Subfield	Entry	Explanation and action
FEATURE	FEAT	ACOU	<i>Feature</i> Enter ACOU for the Additional Call Offering—Unrestricted feature.
		ACOU	<i>Feature</i> Enter ACOU.
KVAR		see subfields	<i>Key variable area</i> This field consists of subfields NBL for VI and NBL for CMD.
	NBL for VI	0 to 15	<i>Notification busy limit for Voiceband Information</i> Enter a value representing the maximum number of additional calls against a VI call that the user is informed about concurrently.
	NBL for CMD	0 to 15	<i>Notification busy limit for Circuit Mode Data</i> Enter a value representing the maximum number of additional calls against a CMD call that the user is informed about concurrently.

Datafill example

The following example shows sample datafill for table KSETFEAT feature ACOU.

MAP display example for table KSETFEAT feature ACOU

.....FEATKEY			FEATURE			KVAR
ISDN	2	1	ACOU	ACOU	2	2

KSETFEAT feature ACRJ

Anonymous Caller Rejection

For a description of feature ACRJ, refer to KSETFEAT.

Datafill

The following table lists the datafill for table KSETFEAT feature ACRJ.

Field descriptions (Sheet 1 of 2)

Field	Subfield or refinement	Entry	Explanation and action
FEATKEY		see subfields	<i>KSET feature key</i> This field consists of subfields LEN, KEY, and FEAT.
	LEN	see subfields	<i>Line equipment number</i> This field defines the physical location of the equipment that is connected to a specific telephone line. Because field LEN is common to more than 60 tables, it is documented in a single section to avoid unnecessary duplication. Refer to section "Common entry field LEN" for a complete description of field LEN and associated subfields. For ISDN lines, field LEN consists of subfield LTID. For non-ISDN lines, field LEN consists of subfields SITE, FRAME, UNIT, DRAWER or LSG, SHELF, SLOT, and CIRCUIT.
	KEY	1	<i>Physical key</i> Enter 1 for the feature activated through code access.
	FEAT	ACRJ	<i>Feature</i> Enter ACRJ for the Anonymous Caller Rejection feature.
FEATURE		ACRJ	<i>Feature</i> Enter ACRJ.
KVAR		see subfields	<i>Key variable area</i> This field consists of subfields STATUS and KEYLIST.

KSETFEAT feature ACRJ (end)

Field descriptions (Sheet 2 of 2)

Field	Subfield or refinement	Entry	Explanation and action
	STATUS	ACT, INACT, UNIVA, or UNIVI	<p><i>Status</i> Enter the status of ACRJ feature: ACT for active, or INACT for inactive.</p> <p>UNIVA and UNIVI are not valid entries. UNIVA status applies when feature ACRJ is activated universally. UNIVI applies when a line only has access to ACRJ universally, but has not activated feature ACRJ universally or has deactivated feature ACRJ universally.</p> <p>Field STATUS is automatically updated when feature ACRJ is activated or deactivated universally.</p>
	KEYLIST	1 to 69	<p><i>Key list</i> Enter the keys of directory number (DN) appearances (maximum of 24) assigned feature ACRJ. Separate each key number with a space. This field specifies the DN, primary Multiple Appearance DN (MADN) member, or automatic lines (AUL) keys on the main set (key 1 to key 9) or ADDONS (key 10 to 69), with the ACRJ feature.</p> <p>If less than 24 keys are assigned, end the list with a \$.</p>

Datafill example

There is no example for feature ACRJ.

KSETFEAT feature AFC

Additional Functional Calls

For a description of feature AFC, refer to KSETFEAT.

Datafill

The following table lists the datafill for table KSETFEAT feature AFC.

Field descriptions

Field	Subfield or refinement	Entry	Explanation and action
FEATKEY		see subfields	<i>KSET feature key</i> This field consists of subfields LEN, KEY, and FEAT.
LEN		see subfields	<i>Line equipment number</i> This field defines the physical location of the equipment that is connected to a specific telephone line. Because field LEN is common to more than 60 tables, it is documented in a single section to avoid unnecessary duplication. Refer to section "Common entry field LEN" for a complete description of field LEN and associated subfields. For ISDN lines, field LEN consists of subfield LTID. For non-ISDN lines, field LEN consists of subfields SITE, FRAME, UNIT, DRAWER or LSG, SHELF, SLOT, and CIRCUIT.
	KEY	2 to 5	<i>Physical key</i> Enter the number associated with the <i>Physical key</i> to which the feature is being assigned.
	FEAT	AFC	<i>Feature</i> Enter AFC for the Additional Functional Calls feature.
FEATURE		AFC	<i>Feature</i> Enter AFC.
KVAR		see subfield	<i>Key variable area</i> This field consists of subfields MASTER_KEY and default bearer capability.

KSETFEAT feature AFC (end)

Field descriptions

Field	Subfield or refinement	Entry	Explanation and action
	MASTER_KEY	1 to 69	<i>Master key</i> Enter the single functional call (SFC) directory number (DN) key on the logical terminal to which feature AFC is assigned. Currently only key 1 is allowed since the SFC DN must be the primary DN (PDN) key, that is, key 1. Also, the master key number must be smaller than all its AFC keys.
	default bearer capability	for NI1 sets use DBC_UNDEF for NI2 sets use DBC_SP, DBC_3_1K, DBC_56K, DBC_64K	<i>Default bearer capability</i> Enter the allowable default bearer capability for the key position on the terminal.

Datafill example

An example of datafill for assigning feature AFC to key 6 is shown below.

The master key (the SFC DN) is 1.

MAP display example for table KSETFEAT feature AFC

..... FEATKEY			FEATURE			KVAR
ISDN	2	6	AFC	AFC	1	DBC_56K

KSETFEAT feature AIN

Advanced Intelligent Network

For a description of feature AIN, refer to KSETFEAT.

The AIN feature can be assigned to any directory number (DN) key, however, field KEY must be the primary directory number (PDN) key, key 1. Subsequent DN keys are datafilled in field KEYLIST.

Datafill

The following table lists the datafill for table KSETFEAT feature AIN.

Field descriptions (Sheet 1 of 2)

Field	Subfield or refinement	Entry	Explanation and action
FEATKEY		see subfields	<i>KSET feature key</i> This field consists of subfields LEN, KEY, and FEAT.
	LEN	see subfields	<i>Line equipment number</i> This field defines the physical location of the equipment that is connected to a specific telephone line. Because field LEN is common to more than 60 tables, it is documented in a single section to avoid unnecessary duplication. Refer to section "Common entry field LEN" for a complete description of field LEN and associated subfields. For ISDN lines, field LEN consists of subfield LTID. For non-ISDN lines, field LEN consists of subfields SITE, FRAME, UNIT, DRAWER or LSG, SHELF, SLOT, and CIRCUIT.
	KEY	1	<i>Physical key</i> Enter the primary directory number (PDN) key, key 1.
	FEAT	AIN	<i>Feature</i> Enter AIN for the Advanced Intelligent Network feature.

KSETFEAT feature AIN (continued)

Field descriptions (Sheet 2 of 2)

Field	Subfield or refinement	Entry	Explanation and action
FEATURE		AIN	<i>Feature</i> Enter AIN.
KVAR		see subfields	<i>Key variable area</i> This field consists of subfields AINGRP and KEYLIST.
	AINGRP	alphanumeric (up to 16 characters), or TIID	<i>Advanced intelligent network group name</i> Enter an AIN group name that has been datafilled in field TRIGNAME in table TRIGGRP. Enter TIID to datafill the trigger item provisioning model refinements that follow.
	TDP	1, 3, 4, 17, 19, 20, 30, 32, 33	<i>Trigger detection Point</i> Datafill the appropriate TDP.
	TINAME	alphanumeric vector (1 to 8 characters)	<i>Trigger Item Name</i> Datafill the trigger items defined in table TRIGITM at the specified TDP.
	TRIGACT	ON, OFF	<i>Trigger Item Assignment Activation State Code</i> Datafill the value ON to activate the trigger item in the TIID. Datafill the value OFF to deactivate the trigger item in the TIID.
	KEYLIST	1 to 69	<i>Key list</i> Enter the keys of directory number (DN) appearances assigned this feature. A maximum of 24 keys can be entered. Separate each key number with a space. If less than 24 keys are assigned, end the list with a \$.

Datafill example

An example of datafill for assigning feature AIN follows.

KSETFEAT feature AIN (end)**MAP display example for table KSETFEAT feature AIN, trigger group data model**

	FATKEY	FEATURE	KVAR
HOST 00 0 03 02 1	AIN	AIN	DNTRIGGRP_ZOOT \$

An example of datafill for assigning feature AIN, with trigger item provisioning, to key 5 follows.

MAP display example for table KSETFEAT feature AIN, trigger item data model

	FATKEY	FEATURE	KVAR
HOST 00 0 03 02 1	AIN	AIN	TIID (1 OFFIMM OFF) (33 ONOA ON)\$

KSETFEAT feature AINDENY

Advanced Intelligent Network Deny

Table KSETFEAT lists the line features that are assigned to the business sets and data units (DU) listed in table KSETLINE. This table also lists the line features that are assigned to the Meridian digital telephone sets and DUs listed in table IVDINV. One entry is required for each feature assigned to a keyset line. All additions, deletions, and changes to this table must be entered using the Service Order System (SERVORD). ISDN BRI agents that subscribe to option AINDENY have the subscription entry in the Table KSETFEAT.

Datafill example

Data is automatically populated into this table through SERVORD.

The figure that follows shows sample datafill for Table KSETFEAT option AINDENY.

MAP display example for Table KSETFEAT option AINDENY

```
ISDN 456 1 AINDENY AINDENY (DENY TIID 4 PFC12)
ISDN 556 1 AINDENY AINDENY (DENY TIID 4 SFC2) (DENY ALL PFC)
```

KSETFEAT feature AR

Automatic Recall

For a description of feature AR, refer to table KSETFEAT.

Feature AR is supported on ISDN BRI terminals.

Feature AR (both non-ISDN and ISDN) can be activated only by code access and can only be assigned to the primary directory number (PDN) (key 1) with a keylist of keys that have feature AR.

Datafill

The following table lists the datafill for table KSETFEAT feature AR.

Field descriptions

Field	Subfield or refinement	Entry	Explanation and action
FEATKEY		see subfields	<i>KSET feature key</i> This field consists of subfields LEN, KEY, and FEAT.
	LEN	see subfields	<i>Line equipment number</i> This field defines the physical location of the equipment that is connected to a specific telephone line. Because field LEN is common to more than 60 tables, it is documented in a single section to avoid unnecessary duplication. Refer to section "Common entry field LEN" for a complete description of field LEN and associated subfields. For ISDN lines, field LEN consists of subfield LTID. For non-ISDN lines, field LEN consists of subfields SITE, FRAME, UNIT, DRAWER or LSG, SHELF, SLOT, and CIRCUIT.
	KEY	1	<i>Physical key</i> Enter 1 for the feature activated by code access.
	FEAT	AR	<i>Feature</i> Enter AR for the Automatic Recall feature.
FEATURE		AR	<i>Feature</i> Enter AR.

KSETFEAT feature AR (end)

Field descriptions

Field	Subfield or refinement	Entry	Explanation and action
KVAR		see subfields	<i>Key variable area</i> This field consists of subfields BILLING_OPTION and KEYLIST.
	BILLING_OPTION	AMA or NOAMA	<i>Billing option</i> Enter AMA if an automatic message accounting (AMA) record is generated. Otherwise, enter NOAMA.
	KEYLIST	1 to 69	<i>Key list</i> Enter the keys of directory number (DN) appearances (maximum of 24) assigned to this feature. If less than 24 keys are assigned, end the list with a \$.

Datafill example

An example of datafill for assigning feature AR to DN appearances on keys 5, 6, and 7 of the set is shown below.

The LEN of the set is 00 0 02 04 at the host switching unit.

An AMA record is generated for the feature.

MAP display example for table KSETFEAT feature AR

FATKEY	FEATURE	KVAR
HOST 00 0 02 04 1	AR	AR AMA (5) (6) (7)\$

KSETFEAT feature ASL

Agent Status Lamp

For a description of feature ASL, refer to KSETFEAT.

The Supervisor (SUPR) feature must be datafilled as key 1 on the supervisor set before ASL can be assigned. Activity on a secondary directory number (SDN) can be monitored by the supervisor using the ASL feature. The monitored DN must be specified in field ASLSDN.

One SDN of an Automatic Call Distribution (ACD) agent position can be monitored if field ASLSDN specifies the SDN.

Datafill

The following table lists the datafill for table KSETFEAT feature ASL.

Field descriptions (Sheet 1 of 2)

Field	Subfield or refinement	Entry	Explanation and action
FEATKEY		see subfields	<i>KSET feature key</i> This field consists of subfields LEN, KEY, and FEAT.
	LEN	see subfields	<i>Line equipment number</i> This field defines the physical location of the equipment that is connected to a specific telephone line. Because field LEN is common to more than 60 tables, it is documented in a single section to avoid unnecessary duplication. Refer to section "Common entry field LEN" for a complete description of field LEN and associated subfields. For ISDN lines, field LEN consists of subfield LTID. For non-ISDN lines, field LEN consists of subfields SITE, FRAME, UNIT, DRAWER or LSG, SHELF, SLOT, and CIRCUIT.
	KEY	2 to 69	<i>Physical key</i> Enter the number associated with the <i>Physical key</i> to which the feature is being assigned. This must be a vacant key with an associated lamp.

KSETFEAT feature ASL (continued)

Field descriptions (Sheet 2 of 2)

Field	Subfield or refinement	Entry	Explanation and action
	FEAT	ASL	<i>Feature</i> Enter ASL for the Agent Status Lamp feature.
FEATURE		ASL	<i>Feature</i> Enter ASL.
KVAR		see subfields	<i>Key variable area</i> This field consists of subfields AGENTLEN and MSBOVRD.
	AGENTLEN	see subfields	<i>Agent line equipment number</i> Because field LEN is common to more than 60 tables, it is documented in a single section to avoid unnecessary duplication. Refer to section "Common entry field LEN" for a complete description of field LEN and associated subfields. For ISDN lines, field LEN consists of subfield LTID. For non-ISDN lines, field LEN consists of subfields SITE, FRAME, UNIT, DRAWER or LSG, SHELF, SLOT, and CIRCUIT.
	MSBOVRD	Y or N	<i>Make set busy override</i> Enter Y (yes) to allow calls placed using the call agent (CAG) key to ring through to the agent when Make Set Busy (MSB) feature is activated on the agent set. Otherwise, enter N (no).
ASLSDN		2 to 8	<i>Agent status lamp secondary directory number</i> Enter the secondary directory number (SDN).

Datafill example

An example of datafill for assigning feature ASL to key 5 of the supervisor's set is shown below.

The LEN of the supervisor's set is 00 0 03 02 at the host switching unit. The LEN of the agent set is 00 0 03 02 at the host switching unit. The supervisor is also monitoring the SDN on key 3.

KSETFEAT feature ASL (end)

Feature Make Set Busy Override is active for the supervisor's set.

MAP display example for table KSETFEAT feature ASL

FPEATKEY		FEATURE		KVAR	
HOST	00 0 03 02 5	ASL	ASL HOST	00 0 03 02 Y	3

KSETFEAT feature ASP

Alternate Service Provider

The Alternate Service Provider (ASP) feature allows call completion services that In-call Service Activation (ISA) and Access to Messaging (AMSG) services begin. A service provider processes call completion services. The end user selects the service provider.

Datafill

The following table lists the datafill for table KSETFEAT feature ASP.

Field descriptions

Field	Subfield	Entry	Explanation and action
KVAR		see subfield	Key-set variable. The field consists of subfields PROVNAME and SERVICE. Note: The Service Offering Decoupling of Special Delivery Service (SODS) feature only modifies field SERVICE.
	SERVICE	ISA or AMSG	Service. This field specifies the feature supplied by an ASP for the line.

Datafill example

The following example shows sample datafill for table KSETFEAT feature ASP.

MAP display example for table KSETFEAT feature ASP

```

FEATKEY  FEATURE  KVAR
-----
HOST 00 0 03 0 ASP ASP (JOE AMSG) $
    
```

KSETFEAT feature AUD

Automatic Dial

For a description of feature AUD, refer to KSETFEAT.

Datafill

The following table lists the datafill for table KSETFEAT feature AUD.

Field descriptions (Sheet 1 of 2)

Field	Subfield or refinement	Entry	Explanation and action
FEATKEY		see subfields	<i>KSET feature key</i> This field consists of subfields LEN, KEY, and FEAT.
	LEN	see subfields	<i>Line equipment number</i> This field defines the physical location of the equipment that is connected to a specific telephone line. Because field LEN is common to more than 60 tables, it is documented in a single section to avoid unnecessary duplication. Refer to section "Common entry field LEN" for a complete description of field LEN and associated subfields. For ISDN lines, field LEN consists of subfield LTID. For non-ISDN lines, field LEN consists of subfields SITE, FRAME, UNIT, DRAWER or LSG, SHELF, SLOT, and CIRCUIT.
	KEY	1 to 69	<i>Physical key</i> Enter the number associated with the physical key to which the feature is being assigned. This must be a vacant key. For M2317 digital telephones, only keys 1 to 11 can be assigned. Prior to BCS36, if the entry in field PGMAUD is Y (yes) for a data unit, only key 3 can be assigned. For BCS36 and up, if the entry in field PGMAUD is Y for a data unit, keys 2, 3, 4, 7, 8 can be assigned.
	FEAT	AUD	<i>Feature</i> Enter AUD for the Automatic Dial feature.

KSETFEAT feature AUD (end)

Field descriptions (Sheet 2 of 2)

Field	Subfield or refinement	Entry	Explanation and action
FEATURE		AUD	<i>Feature</i> Enter AUD.
PGMAUD		Y or N	<i>Programmed automatic dial</i> Enter Y (yes) if the AUD key is programmed by the operating company to access a feature or service. Enter N (no) if the standard AUD feature is used. The default value for this field is N.
AUDFEAT		vector (up to 16 characters)	<i>Automatic dial key feature</i> This field contains a character string that is used by the Service Order System (SERVORD) to decide what digits to program onto the AUD key. The default value for this field is STD (standard), that is, the user programs the key.

Datafill example

An example of datafill assigning feature AUD to a key is shown below.

The LEN of the set is 00 0 02 04 at the host switching unit and the key assigned to this feature is 5.

MAP display example for table KSETFEAT feature AUD

	FEATKEY	FEATURE	KVAR
HOST	00 0 02 04 5	AUD	AUD N STD

KSETFEAT feature AUL

Automatic Line

For a description of feature AUL, refer to KSETFEAT.

The following information is required for each line with the Automatic Line feature:

- if the line is remote, the site name of the remote location
- the line equipment number (LEN) to which the line with the feature AUL is assigned
- the data feature AUL
- the predetermined 1- to 15-digit number to which the line with this feature terminates when an off-hook is reported

Datafill

The following table lists the datafill for table KSETFEAT feature AUL.

Field descriptions (Sheet 1 of 2)

Field	Subfield or refinement	Entry	Explanation and action
FEATKEY		see subfields	<i>KSET feature key</i> This field consists of subfields LEN, KEY, and FEAT.
	LEN	see subfields	<i>Line equipment number</i> This field defines the physical location of the equipment that is connected to a specific telephone line. Because field LEN is common to more than 60 tables, it is documented in a single section to avoid unnecessary duplication. Refer to section "Common entry field LEN" for a complete description of field LEN and associated subfields.
	LEN(continued)		For ISDN lines, field LEN consists of subfield LTID. For non-ISDN lines, field LEN consists of subfields SITE, FRAME, UNIT, DRAWER or LSG, SHELF, SLOT, and CIRCUIT.

KSETFEAT feature AUL (end)

Field descriptions (Sheet 2 of 2)

Field	Subfield or refinement	Entry	Explanation and action
FEATURE	KEY	1 to 69	<i>Physical key</i> Enter the number associated with the DN appearance to which the feature is being assigned. For M2317 digital telephones, only keys 1 to 11 can be used.
	FEAT	AUL	<i>Feature</i> Enter AUL for the Automatic Line feature.
		AUL	<i>Feature</i> Enter AUL.
	KVAR	see subfield	<i>Key variable area</i> This field consists of subfield DN.
	DN	numeric (1 to 15 digits)	<i>Directory number</i> Enter the number outpulsed when the line goes off-hook.

Datafill example

The following example shows sample datafill for table KSETFEAT feature AUL.

The LEN of the set is 00 0 02 04 at the host switching unit and the DN appearance requiring this feature is assigned to key 5.

The number that is automatically outpulsed when the line with feature AUL goes off-hook is 7378222.

MAP display example for table KSETFEAT feature AUL

	FEATKEY	FEATURE	KVAR
HOST 00 0 02 04 5	AUL	AUL	7378222

KSETFEAT feature AUTODISP

Automatic Display

For a description of feature AUTODISP, refer to KSETFEAT.

This capability can be applied to a subset of the main set's directory number (DN) keys plus the Call Waiting key, Automatic Line (AUL), and group intercom (GIC) keys.

Datafill

The following table lists the datafill for table KSETFEAT feature AUTODISP.

Field descriptions (Sheet 1 of 2)

Field	Subfield or refinement	Entry	Explanation and action
FEATKEY		see subfields	<i>KSET feature key</i> This field consists of subfields LEN, KEY, and FEAT.
	LEN	see subfields	<i>Lineequipmentnumber</i> This field defines the physical location of the equipment that is connected to a specific telephone line. Because field LEN is common to more than 60 tables, it is documented in a single section to avoid unnecessary duplication. Refer to section "Common entry field LEN" for a complete description of field LEN and associated subfields. For ISDN lines, field LEN consists of subfield LTID. For non-ISDN lines, field LEN consists of subfields SITE, FRAME, UNIT, DRAWER or LSG, SHELF, SLOT, and CIRCUIT.
	KEY	1	<i>Physical key</i> Enter 1.
	FEAT	AUTODISP	<i>Feature</i> Enter AUTODISP for the Automatic Display feature.
FEATURE		AUTODISP	<i>Feature</i> Enter AUTODISP.

KSETFEAT feature AUTODISP (end)

Field descriptions (Sheet 2 of 2)

Field	Subfield or refinement	Entry	Explanation and action
KVAR		see subfields	<i>Key variable area</i> This field consists of subfields CWT and KEYLIST.
	CWT	Y or N	<i>Call waiting</i> Enter Y (yes) if the Call Waiting key on the main set or add-on unit has the AUTODISP capability. Otherwise, enter N (no).
	KEYLIST	1 to 9	<i>Key list</i> Enter the number of the keys on the set that have AUTODISP capability. Only keys 1 to 9 are allowed. End the list with a \$. Any entry outside the range of indicated values for this field is invalid.

Datafill example

The following example shows sample datafill for table KSETFEAT feature AUTODISP.

The feature must be assigned to key 1 and the DNs; GIC keys allowed to have this feature are 3 and 5. The CWT key also has this capability.

MAP display example for table KSETFEAT feature AUTODISP

	FEATKEY	FEATURE	KVAR
HOST	00 0 02 04	1 AUTODISP	AUTODISP N (3) (5)\$

KSETFEAT feature BBGI

Basic Business Group ISDN

For a description of feature Basic Business Group ISDN (BBGI), refer to table KSETFEAT.

Add the BBGI feature to any directory number (DN) in an ISDN basic business group (BBG-I) provided that

- Option ISDNBBGBILL = ON in table AMAOPTS
- Option BBGI is not present in table CUSTHEAD

Assign the BBGI feature to any BBG-I DN key, but field KEY must be the primary directory number (PDN) key, key 1. Enter other DN keys in field KEYLIST.

Datafill

The following table lists the datafill for table KSETFEAT feature BBGI.

Field descriptions

Field	Subfield or refinement	Entry	Explanation and action
FEATKEY		see subfields	KSET feature key. This field consists of subfields LEN, KEY, and FEAT.
	LEN	see subfields	Line equipment number. This field defines the location of the equipment that connects to a given telephone line. Because field LEN is common to more than 60 tables, it is documented in a single section to avoid unnecessary duplication. Refer to section "Common entry field LEN" for a complete description of field LEN and associated subfields. For ISDN lines, field LEN consists of subfield LTID.
	KEY	1	Physical key. Assign BBGI to the primary DN (PDN) key only, that is, key 1. Enter key 1.
	FEAT	BBGI	Feature. Enter BBGI to assign this feature to the specified key.
FEATURE		BBGI	Feature. Enter BBGI to assign this feature to the specified key.

KSETFEAT feature BBGI (end)

Field descriptions

Field	Subfield or refinement	Entry	Explanation and action
KVAR		see subfields	Key variable area. This field consists of several subfields. Subfields BBGI and KEYLIST pertain to this feature. When entering subfields, separate each subfield with a space.
	BBGI	Y or N	Basic business group ISDN billing control. Enter Y to activate BBG-I AMA recording for an ISDN line. Enter N to disable BBG-I AMA recording for an ISDN line.
	KEYLIST	1-69, \$	Keylist. Enter the DN key number (or numbers) to which this feature applies. A dollar sign (\$) indicates that BBGI applies to all DN keys.

Datafill example

The following example shows sample datafill for table KSETFEAT feature BBGI.

MAP display example for table KSETFEAT feature BBGI

TABLE: KSETFEAT				
FATKEY		FEATURE		KVAR
WITS 8	1	BBGI	BBGI	Y

KSETFEAT feature BC

Bearer Capability

For a description of feature BC, refer to KSETFEAT.

One of the following values from field BCNAME in table BCDEF must be used to define the bearer capability for this line or logical terminal:

- 3_1KHZ
- 7_KHZ
- 56KDATA
- 64KDATA
- 64K_RATE_AD_DATA
- 64KRES
- 64KX25
- DATAUNIT
- SPEECH
- VOICE_DATA (DMS-250 only)

Note: NILBC is not a valid entry.

KSETFEAT feature BC (continued)**Datafill**

The following table lists the datafill for table KSETFEAT feature BC.

Field descriptions

Field	Subfield or refinement	Entry	Explanation and action
FEATKEY		see subfields	<i>KSET feature key</i> This field consists of subfields LEN, KEY, and FEAT.
	LEN	see subfields	<i>Line equipment number</i> This field defines the physical location of the equipment that is connected to a specific telephone line. Because field LEN is common to more than 60 tables, it is documented in a single section to avoid unnecessary duplication. Refer to section "Common entry field LEN" for a complete description of field LEN and associated subfields. For ISDN lines, field LEN consists of subfield LTID. For non-ISDN lines, field LEN consists of subfields SITE, FRAME, UNIT, DRAWER or LSG, SHELF, SLOT, and CIRCUIT.
	KEY	1 to 69	<i>Physical key</i> Enter the number associated with the directory number (DN) appearance to which the feature is assigned. For M2317 digital telephones, only keys 1 to 11 can be used.
	FEAT	BC	<i>Feature</i> Enter BC for the Bearer Capability feature.
FEATURE		BC	<i>Feature</i> Enter BC.
KVAR		see subfield	<i>Key variable area</i> This field consists of subfield BCNAME.
	BCNAME	alphanumeric (up to 8 characters)	<i>Bearer capability name</i> Enter the bearer capability (BC) associated with this line. See field BCNAME in table BCDEF for a list of BCs.

KSETFEAT feature BC (end)

Datafill example

The following example shows sample datafill for table KSETFEAT feature BC.

The logical terminal identifier (LTID) is ISDN 222 at the host switching unit. The bearer capability of that logical terminal is 64KDATA.

MAP display example for table KSETFEAT feature BC

FATKEY		FEATURE			KVAR
ISDN	222	8	BC	BC	64KDATA

KSETFEAT feature BCLID

Bulk Calling Line Identification

For a description of feature BCLID, refer to KSETFEAT.

Datafill

The following table lists the datafill for table KSETFEAT feature BCLID.

Field descriptions (Sheet 1 of 2)

Field	Subfield or refinement	Entry	Explanation and action
FEATKEY		see subfields	<i>KSET feature key</i> This field consists of subfields LEN, KEY, and FEAT.
	LEN	see subfields	<i>Line equipment number</i> This field defines the physical location of the equipment that is connected to a specific telephone line. Because field LEN is common to more than 60 tables, it is documented in a single section to avoid unnecessary duplication. Refer to section "Common entry field LEN" for a complete description of field LEN and associated subfields. For ISDN lines, field LEN consists of subfield LTID. For non-ISDN lines, field LEN consists of subfields SITE, FRAME, UNIT, DRAWER or LSG, SHELF, SLOT, and CIRCUIT.
	KEY	1 to 69	<i>Physical key</i> Enter the number associated with the physical key assigned to a directory number (DN) in which this feature is assigned. For M2317 digital telephones, only keys 1 to 11 can be assigned.
	FEAT	BCLID	<i>Feature</i> Enter BCLID for the Bulk Calling Line Identification feature.
FEATURE		BCLID	<i>Feature</i> Enter BCLID.

KSETFEAT feature BCLID (end)**Field descriptions (Sheet 2 of 2)**

Field	Subfield or refinement	Entry	Explanation and action
KVAR		see subfield	<i>Key variable area</i> This field consists of subfield BCGRPNUM.
	BCGRPNUM	0 to 2047	<i>Bulk calling group number</i> Enter the bulk calling group number to which this DN belongs. This number must be defined in table BCLIDGRP.

Datafill example

The following example shows sample datafill for table KSETFEAT feature BCLID.

The LEN of the set is 00 0 02 04 at the host switching unit and the DN key assigned this feature is 5. The BCGRPNUM of which this DN is a member is 20.

MAP display example for table KSETFEAT feature BCLID

	FATKEY	FEATURE	KVAR
HOST 00 0 02 04 5	BCLID	BCLID	20

KSETFEAT feature BLF

Busy Lamp Field

For a description of feature BLF, refer to KSETFEAT.

This is a key feature and must be assigned to a vacant key equipped with a lamp.

Datafill

The following table lists the datafill for table KSETFEAT feature BLF.

Field descriptions (Sheet 1 of 2)

Field	Subfield or refinement	Entry	Explanation and action
FEATKEY		see subfields	<i>KSET feature key</i> This field consists of subfields LEN, KEY, and FEAT.
	LEN	see subfields	<i>Line equipment number</i> This field defines the physical location of the equipment that is connected to a specific telephone line. Because field LEN is common to more than 60 tables, it is documented in a single section to avoid unnecessary duplication. Refer to section "Common entry field LEN" for a complete description of field LEN and associated subfields. For ISDN lines, field LEN consists of subfield LTID. For non-ISDN lines, field LEN consists of subfields SITE, FRAME, UNIT, DRAWER or LSG, SHELF, SLOT, and CIRCUIT.
	KEY	2 to 69	<i>Physical key</i> Enter the number associated with the physical key to which the feature is assigned. This must be a vacant key with a lamp. For M2317 digital telephones, only keys 1 to 11 can be assigned.
	FEAT	BLF	<i>Feature</i> Enter BLF for the Busy Lamp Field feature.

KSETFEAT feature BLF (continued)**Field descriptions (Sheet 2 of 2)**

Field	Subfield or refinement	Entry	Explanation and action
FEATURE		BLF	<i>Feature</i> Enter BLF.
KVAR		see subfields	<i>Key variable area</i> This field consists of subfields SET_BASED and BLFDN.
	SET_BASED	Y or N	<i>Set based</i> Enter Y or N. This subfield specifies if SBLF applies to a set Y or BLF applies to a set.
	BLFDN	Enter 10 digits or from 1 to 15 digits	<i>Busy lamp field directory number</i> This subfield specifies the DSS DN that the SBLF or BLF feature is to monitor. This subfield specifies a value of "N" if the DSS DN is removed through SERVORD. If office parameter ACTIVE_DN_SYSTEM is set to NORTH_AMERICAN or ENHANCED_NORTH_AMERICAN, the BLFDN is limited to 10 digits. Enter a DN with a maximum of 15 digits if office parameter ACTIVE_DN_SYSTEM is set to UNIVERSAL.

Datafill example

The following example shows sample datafill for table KSETFEAT feature BLF.

The LEN of the set is 00 0 02 04 at the host switching unit and the key assigned to this feature is 5.

The monitored DN is 9195552002.

KSETFEAT feature BLF (end)

MAP display example for table KSETFEAT feature BLF

FEATKEY	FEATURE	KVAR
HOST 00 0 02 04 5	BLF	BLF Y 9195552002

KSETFEAT feature CCV

Call Covering

For a description of feature CCV, refer to KSETFEAT.

This feature must be assigned to a key with a lamp.

Datafill

The following table lists the datafill for table KSETFEAT feature CCV.

Field descriptions

Field	Subfield or refinement	Entry	Explanation and action
FEATKEY		see subfields	<i>KSET feature key</i> This field consists of subfields LEN, KEY, and FEAT.
	LEN	see subfields	<i>Line equipment number</i> This field defines the physical location of the equipment that is connected to a specific telephone line. Because field LEN is common to more than 60 tables, it is documented in a single section to avoid unnecessary duplication. Refer to section "Common entry field LEN" for a complete description of field LEN and associated subfields. For ISDN lines, field LEN consists of subfield LTID. For non-ISDN lines, field LEN consists of subfields SITE, FRAME, UNIT, DRAWER or LSG, SHELF, SLOT, and CIRCUIT.
	KEY	1 to 69	<i>Physical key</i> Enter the number associated with the physical key to which the feature is being assigned. This must be a vacant key. For M2317 digital telephones, only keys 1 to 11 can be assigned.
	FEAT	CCV	<i>Feature</i> Enter CCV for the Call Covering feature.
FEATURE		CCV	<i>Feature</i> Enter CCV.

KSETFEAT feature CCV (end)

Datavfill example

The following example shows sample datavfill for table KSETFEAT feature CCV.

The LEN of the set is 00 0 02 04 at the host switching unit and the key assigned to this feature is 5.

MAP display example for table KSETFEAT feature CCV

	FATKEY	FEATURE	KVAR
HOST	00 0 02 04 5	CCV	CCV

KSETFEAT feature CFB

Call Forward Busy

For a description of feature CFB, refer to KSETFEAT.

The following information is required for each line with one or more of the five call forwarding variants and data feature CFB:

- if the line is remote, the site name of the remote location
- the line equipment number (LEN) to which the line with the feature is assigned

Datafill

The following table lists the datafill for table KSETFEAT feature CFB.

Field descriptions (Sheet 1 of 4)

Field	Subfield or refinement	Entry	Explanation and action
LEN		see subfields	<p><i>Line equipment number</i></p> <p>This field defines the physical location of the equipment that is connected to a specific telephone line.</p> <p>Because field LEN is common to more than 60 tables, it is documented in a single section to avoid unnecessary duplication. Refer to section "Common entry field LEN" for a complete description of field LEN and associated subfields.</p> <p>Field LEN consists of subfields SITE, FRAME, UNIT, DRAWER or LSG, SHELF, SLOT, and CIRCUIT.</p>
KEY		1 to 69	<p><i>Physical key</i></p> <p>Enter the number associated with the physical key to which the feature is being assigned. For code access features, this is assigned to key 1, which is the primary directory number (PDN) key.</p> <p>For M3000 digital telephones, only key 10 can be assigned.</p> <p>For M2317 digital telephones, only key 16 can be assigned.</p>
FEAT		CFB	<p><i>Feature</i> Enter CFB for the Call Forward Busy feature.</p>

KSETFEAT feature CFB (continued)

Field descriptions (Sheet 2 of 4)

Field	Subfield or refinement	Entry	Explanation and action
FEATURE		CFB	<i>Feature</i> Enter CFB.
KVAR		see subfields	<i>Key variable area</i> This field consists of subfields CFBCNTL, CBTYPE, and KEYLIST. Separate each subfield with a space.
	CFBCNTL	F, N, or P	<i>Call Forward Busy control</i> Enter F (fixed) if the CFB feature is activated or deactivated by the user. Field CFDBN is datafilled by the operating company or is supplied by the user during activation. Enter N (the default) if feature CFB is always activated. Enter P (programming) if feature CFB is activated or deactivated by the user.

KSETFEAT feature CFB (continued)

Field descriptions (Sheet 3 of 4)

Field	Subfield or refinement	Entry	Explanation and action
	CBTYPE	CBE, CBECBU, CBI, CBICBU, CBU, IECFB, IECFBCBU, or N	<p><i>Call Forward Busy type</i></p> <p>Enter CBE to deny external (outside the customer group) calls forwarded when the line is busy. Intragroup calls are forwarded to remote station within the customer group.</p> <p>Enter CBECBU to deny external (outside the customer group) calls forwarded. Intragroup calls are forwarded to remote stations within or outside the customer group (unrestricted).</p> <p>Enter CBI to deny intragroup calls forwarded. External calls are forwarded to remote stations within the customer group.</p> <p>Enter CBICBU to deny intragroup calls forwarded. External calls are forwarded to remote station within or outside the customer group (unrestricted).</p> <p>Enter CBU to have all calls forwarded to remote stations within or outside the customer group (unrestricted).</p> <p>Enter IECFB to forward internal (inside the customer group) and external (outside the customer group) calls to remote stations within the customer group specified by refinements INCFBDN and EXCFBDN respectively. Go to subfield KEYLIST in this table..</p>
	CBTYPE (continued)		<p>Enter IECFBCBU to forward internal (inside the customer group) and external (outside the customer group) calls to remote stations within or outside the customer group specified by refinements INCFBDN and EXCFBDN respectively. Go to subfield KEYLIST in this table.</p> <p>Enter N to forward all calls to remote stations within the customer group.</p>
	CFBDN	numeric (1 to 24 digits)	<p><i>Call Forward Busy directory number</i></p> <p>If the entry in refinement CFBCNTL is F or N and refinement CBTYPE is set to CBE, CBECBU, CBI, CBICBU, CBU, or N, datafill this refinement. Enter the DN to which the call is forwarded when the line is busy. Go to subfield KEYLIST in this table..</p>

KSETFEAT feature CFB (end)

Field descriptions (Sheet 4 of 4)

Field	Subfield or refinement	Entry	Explanation and action
	INCFBDN	numeric (1 to 24 digits)	<i>Call Forward Busy internal directory number</i> If the entry in refinement CFBCNTL is F or N and refinement CBTYPE is set to IECFB or IECFBCBU, datafill this refinement. Enter the DN to which the call is forwarded when the line is busy.
	EXCFBDN	numeric (1 to 24 digits)	<i>Call Forward Busy external directory number</i> If the entry in refinement CFBCNTL is F or N, and refinement CBTYPE is set to IECFB or IECFBCBU, datafill this refinement. Enter the external DN to which the call is forwarded when the line is busy.
	KEYLIST	1 to 69	<i>Key list</i> Enter the list of keys (maximum of 24) associated with DN appearances to which feature CFB is being assigned. Separate each key number with a space. Enter \$ as the only entry if the feature is associated with all DN appearances on the set. If less than 24 keys are assigned, end the list with a \$.

Datafill example

There is no example for feature CFB.

KSETFEAT feature CFD

Call Forward Don't Answer

For a description of feature CFD, refer to table KSETFEAT (Business Set and Data Unit Feature) in the data schema section of this document.

The following information is required for each line with one or more of the five call forwarding (CFX) variants and data feature CFX:

- if the line is remote, the site name of the remote location
- the line equipment number (LEN) to which the line with the feature is assigned

Datafill

The following table lists the datafill for table KSETFEAT feature CFD.

Field descriptions (Sheet 1 of 4)

Field	Subfield or refinement	Entry	Explanation and action
LEN		see subfields	<p>Line equipment number. This field defines the physical location of the equipment that is connected to a specific phone line.</p> <p>Because field LEN is common to more than 60 tables, it is documented in a single section to avoid unnecessary duplication. Refer to the section "Common entry field LEN" in this document for a complete description of field LEN and its associated subfields.</p> <p>Field LEN consists of subfields SITE, FRAME, UNIT, DRAWER or LSG, SHELF, SLOT, and CIRCUIT.</p>
KEY		1 to 69	<p>Physical key. Enter the number associated with the physical key to which the feature is being assigned. For code access features, CFD is assigned to key 1, which is the primary directory number (PDN) key.</p>
KEY(continued)			<p>For M3000 digital phones, only key 10 can be assigned.</p> <p>For M2317 digital phones, only key 16 can be assigned.</p>
FEAT		CFX	<p>Feature. Enter CFX for the Call Forwarding feature.</p>

KSETFEAT feature CFD (continued)

Field descriptions (Sheet 2 of 4)

Field	Subfield or refinement	Entry	Explanation and action
FEATURE		CFX	Feature. Enter CFX.
KVAR		see subfields	Key variable area. This field consists of subfields CFDCNTL and KEYLIST. Separate each subfield with a space.
	CFDCNTL	N, F, or P	<p>Call Forward Don't Answer control. This subfield specifies the type of control over activation, deactivation, and programming of CFD. Enter F (fixed) if CFD is activated or deactivated by the end user. Field CFDDN is datafilled by the operating company.</p> <p>Enter N (default) if CFD is always activated. Field CFDDN is datafilled by the operating company.</p> <p>Enter P (programming) if CFD is activated or deactivated by the end user. The entry in field CFDDN is supplied by the end user during activation.</p>

KSETFEAT feature CFD (continued)**Field descriptions (Sheet 3 of 4)**

Field	Subfield or refinement	Entry	Explanation and action
	CDTYPE	CDE, CDECDU, CDI, CDICDU, CDU, IECFD, IECFDCDU, or N	<p>Call Forward Don't Answer type. If the entry in refinement CDTYPE is P, datafill subfield KEYLIST next.</p> <p>For forwarding calls when the line has CFD assigned, enter CDE to deny external calls from being forwarded. Intragroup calls are forwarded to a remote station in the customer group.</p> <p>Enter CDECDU to deny external calls from being forwarded. Intragroup calls are forwarded to a remote station inside or outside the customer group (unrestricted).</p> <p>Enter CDI to deny intragroup calls from being forwarded. External calls are forwarded to a remote station in the customer group.</p> <p>Enter CDICDU to deny intragroup calls from being forwarded. External calls are forwarded to a remote station inside or outside the customer group (unrestricted).</p> <p>Enter CDU to forward all calls to a remote station inside or outside the customer group (unrestricted).</p> <p>Enter IECFD to forward internal (inside the customer group) and external (outside the customer group) calls to a remote station in the customer group specified by refinements INCFDDN and EXCFDDN, respectively.</p> <p>Enter IECFDCDU to forward internal (inside the customer group) and external (outside the customer group) calls to a remote station inside or outside the customer group specified by refinements INCFDDN and EXCFDDN, respectively.</p> <p>Enter N to forward all calls to a remote station in the customer group.</p>

KSETFEAT feature CFD (continued)

Field descriptions (Sheet 4 of 4)

Field	Subfield or refinement	Entry	Explanation and action
	CFDDN	numeric (1 to 30 digits)	Call Forward Don't Answer directory number. If refinement CFDCNTL is set to F or N and refinement CDTYPE is set to CDE, CDECDCU, CDI, CDICDU, CDU, or N, enter the DN to which the call is forwarded when the line does not answer. Datafill subfield KEYLIST next.
	INCFDDN	numeric (1 to 30 digits)	Call Forward Don't Answer internal directory number. If refinement CFDCNTL is set to F or N and refinement CDTYPE is set to IECFD or IECFDCDU, enter the internal DN to which the call is forwarded when the line does not answer.
	EXCFDDN	numeric (1 to 30 digits)	Call Forward Don't Answer external directory number. If refinement CFDCNTL is set to F or N and refinement CDTYPE is set to IECFD or IECFDCDU, enter the external DN to which the call is forwarded when the line does not answer.
	KEYLIST	1 to 69	Key list. Enter the list of keys (maximum of 24) associated with DN appearances to which this feature is being assigned. Separate each key number with a space. Enter \$ as the only entry if the feature is associated with all DN appearances on the set. If less than 24 keys are assigned, end the list with a \$.

Datafill example

The following example shows sample datafill for table KSETFEAT feature CFD.

KSETFEAT feature CFD (end)

MAP display example for table KSETFEAT feature CFD

		FEATKEY	FEATURE	KVAR	
HOST	01 0 00 24 1	CFX	CFX	CFD P	N CDE
				N	\$

KSETFEAT feature CFDVT

Call Forward Don't Answer Variable Timer

For a description of feature CFDVT, refer to KSETFEAT.

The following information is required for each line with one or more of the five call forwarding variants and data feature CFX:

- if the line is remote, the site name of the remote location
- the line equipment number (LEN) to which the line with the feature is assigned

Datafill

The following table lists the datafill for table KSETFEAT feature CFDVT.

Field descriptions (Sheet 1 of 2)

Field	Subfield or refinement	Entry	Explanation and action
FEATKEY		see subfields	<i>KSET feature key</i> This field consists of subfields LEN, KEY, and FEAT.
	LEN	see subfields	<i>Line equipment number</i> This field defines the physical location of the equipment that is connected to a specific telephone line. Because field LEN is common to more than 60 tables, it is documented in a single section to avoid unnecessary duplication. Refer to section "Common entry field LEN" for a complete description of field LEN and associated subfields. For ISDN lines, field LEN consists of subfield LTID. For non-ISDN lines, field LEN consists of subfields SITE, FRAME, UNIT, DRAWER or LSG, SHELF, SLOT, and CIRCUIT.
	KEY	1 to 69	<i>Physical key</i> Enter the number associated with the physical key to which the feature is being assigned. For code access features, the physical key is key 1, which is the primary directory number (PDN) key. For M3000 digital telephones, only key 10 can be assigned. For M2317 digital telephones, only key 16 can be assigned.

KSETFEAT feature CFDVT (end)**Field descriptions (Sheet 2 of 2)**

Field	Subfield or refinement	Entry	Explanation and action
	FEAT	CFDVT	<i>Feature</i> Enter CFDVT for the Call Forward Don't Answer Variable Timer feature.
FEATURE		CFDVT	<i>Feature</i> Enter CFDVT.
KVAR		see subfield	<i>Key variable area</i> This field consists of subfield TIMEVAL.
	TIMEVAL	12 to 60	<i>Time value</i> Enter the interval, in seconds, after which the call is forwarded if it is not answered.

Datafill example

An example of datafill for feature CFDVT assigned to key 6 of a set with the LEN of 00 0 02 04 at the host switching unit is shown below.

The call is forwarded if not answered after 30 s.

MAP display example for table KSETFEAT feature CFDVT

	FPEATKEY	FEATURE	KVAR
HOST	00 0 02 04 6	CFDVT	CFDVT 30

KSETFEAT feature CFFPOVR

Call Forward Fraud Prevention Override (CFFPOVR)

The CFFPOVR line option lets an operating company override dial plan restrictions. CFFPOVR applies to the residential enhanced services (RES), centrex and plain ordinary telephone service (POTS) agents programmable call forwarding types. All or part of the dial plan codes are overridden. A list with the line option specifies the overridden dial plan code restrictions. When the line option is present on the line, specified dial plan codes are not blocked.

CFFPOVR also specifies the number of times a subscriber can program a forward-to directory number (DN). This programming occurs within a fixed time period. The TIME_PERIOD field in office parameter CFFP_CONTROL defines the time period. CFFPOVR also displays the programming attempts counter with a QDN or QLEN command.

Datafill

The following table lists the datafill for table KSETFEAT feature CFFPOVR.

Field descriptions

Field	Subfield or refinement	Entry	Explanation and action
FEATKEY		CFFPOVR	Data feature. This field specifies the feature assigned to the line. The specified feature is CFFPOVR.
FEATURE		CFFPOVR	Feature. This field specifies the feature assigned to the line. The specified feature is CFFPOVR.
DATA		see subfields	Data. This field consists of subfields DPLNCODE and LIMIT, for CFFPOVR. These subfields follow.
	DPLNCODE	IDDD, FGB, INTERTOL, INTRATOL, COIN, I500, I700, I800, I900, N11, NPANXX	Dial plan code. This field specifies restricted dial plan codes overridden with CFFPOVR.
	LIMIT	0 through 30 or OFFICE_DEFAULT	Limit. This field specifies a limit to the number of times a forward-to DN can be programmed. This forward-to DN has a restricted dial plan overridden by CFFPOVR.

KSETFEAT feature CFFPOVR (end)

Datafill example

The following example shows sample datafill for table KSETFEAT feature CFFPOVR.

MAP display example for table KSETFEAT feature CFFPOVR

FEATKEY	FEATURE	DATA
CFFPOVR	CFFPOVR	IDDD 15

KSETFEAT feature CFTB

Call Forward Timed for CFB

Feature CFTB is an enhancement to Call Forward Busy (CFB) for MDC lines. CFTB enhances call coverage by routing unanswered forwarded calls to treatment after a predetermined time-out period. Treatment may consist of a tone or an announcement.

Call Forward Timed (CFT) is initiated whenever a call is forwarded by a subscriber to an idle line within the same customer group and switch. The subscriber must have the CFB and CFTB line options assigned. The feature is invoked when the forwarded call is not answered. A timer monitors the line for a predetermined time-out period. If the call is not answered within the time-out period, the call is routed to treatment.

Datafill

The following table lists the datafill for table KSETFEAT feature CFTB.

Field descriptions (Sheet 1 of 2)

Field	Subfield or refinement	Entry	Explanation and action
LEN		see subfields	<p>Line equipment number. This field defines the physical location of the equipment that is connected to a specific phone line.</p> <p>Because field LEN is common to more than 60 tables, it is documented in a single section to avoid unnecessary duplication. Refer to the section "Common entry field LEN" in this document for a complete description of field LEN and its associated subfields.</p> <p>Field LEN consists of subfields SITE, FRAME, UNIT, DRAWER or LSG, SHELF, SLOT, and CIRCUIT.</p>
KEY		1 to 69	<p>Physical key. Enter the number associated with the physical key to which the feature is being assigned. For code access features, the physical key is key 1, which is the primary directory number (PDN) key.</p>
KEY(continued)			<p>For M3000 digital phones, only key 10 can be assigned.</p> <p>For M2317 digital phones, only key 16 can be assigned.</p>

KSETFEAT feature CFTB (end)**Field descriptions (Sheet 2 of 2)**

Field	Subfield or refinement	Entry	Explanation and action
FEAT		CFTB	Feature. Enter CFTB for Call Forward Timed for CFB.
FEATURE		CFTB	Feature. Enter CFTB.
	TIMEOUT_VAL	12 to 60	Timeout value. Enter the number of seconds the timer will operate until it expires. The default is 36 seconds.
	TRMT_SEL	ANN, TONE	Treatment selector. Enter either ANN or TONE depending on whether the call is routed to a recorded announcement or a tone.
	ANN_CLLI	CLLI name	Announcement CLLI. If the entry in field TRMT_SEL is ANN, enter the common language location identifier (CLLI) name of the announcement in table CLLI.
	TONE_CHOICE	BUSY, REORDER	Tone choice. If the entry in field TRMT_SEL is TONE, enter either BUSY or REORDER.

Datafill example

The following example shows sample datafill for table KSETFEAT feature CFTB.

MAP display example for table KSETFEAT feature CFTB

LEN	KEY	FEAT	FEATURE	DATA
HOST 00 1 01 01 0	CFTB	CFTB	12	ANN CFTB_ANN

KSETFEAT feature CFTD

Call Forward Timed for CFD

Feature CFTD is an enhancement to Call Forward Don't Answer (CFD) for MDC lines. CFTD enhances call coverage by routing unanswered forwarded calls to treatment after a predetermined time-out period. Treatment may consist of a tone or an announcement.

Call Forward Timed (CFT) is initiated whenever a call is forwarded by a subscriber to an idle line within the same customer group and switch. The subscriber must have the CFD and CFTD line options assigned. The feature is invoked when the forwarded call is not answered. A timer monitors the line for a predetermined time-out period. If the call is not answered within the time-out period, the call is routed to treatment.

Datafill

The following table lists the datafill for table KSETFEAT feature CFTD.

Field descriptions (Sheet 1 of 2)

Field	Subfield or refinement	Entry	Explanation and action
LEN		see subfields	<p>Line equipment number. This field defines the physical location of the equipment that is connected to a specific phone line.</p> <p>Because field LEN is common to more than 60 tables, it is documented in a single section to avoid unnecessary duplication. Refer to the section "Common entry field LEN" in this document for a complete description of field LEN and its associated subfields.</p> <p>Field LEN consists of subfields SITE, FRAME, UNIT, DRAWER or LSG, SHELF, SLOT, and CIRCUIT.</p>
KEY		1 to 69	<p>Physical key. Enter the number associated with the physical key to which the feature is being assigned. For code access features, the physical key is key 1, which is the primary directory number (PDN) key.</p>
KEY(continued)			<p>For M3000 digital phones, only key 10 can be assigned.</p> <p>For M2317 digital phones, only key 16 can be assigned.</p>

KSETFEAT feature CFTD (end)**Field descriptions (Sheet 2 of 2)**

Field	Subfield or refinement	Entry	Explanation and action
FEAT		CFTD	Feature. Enter CFTD for Call Forward Timed for CFD.
FEATURE		CFTD	Feature. Enter CFTD.
	TIMEOUT_VAL	12 to 60	Timeout value. Enter the number of seconds the timer will operate until it expires. The default is 36 seconds.
	TRMT_SEL	ANN, TONE	Treatment selector. Enter either ANN or TONE depending on whether the call is routed to a recorded announcement or a tone.
	ANN_CLLI	CLLI name	Announcement CLLI. If the entry in field TRMT_SEL is ANN, enter the common language location identifier (CLLI) name of the announcement in table CLLI.
	TONE_CHOICE	BUSY, REORDER	Tone choice. If the entry in field TRMT_SEL is TONE, enter either BUSY or REORDER.

Datafill example

The following example shows sample datafill for table KSETFEAT feature CFTD.

MAP display example for table KSETFEAT feature CFTD

LEN	KEY	FEAT	FEATURE	DATA
HOST 00 1 01 01 0	CFTD	CFTD	12	ANN CFTD_ANN

KSETFEAT feature CFUIF

Call Forward Universal Intragroup Fixed

For a description of feature CFUIF, refer to KSETFEAT.

The following information is required for each line with one or more of the five call forwarding variants and data feature CFX:

- if the line is remote, the site name of the remote location
- the line equipment number (LEN) to which the line with the feature is assigned

Datafill

The following table lists the datafill for table KSETFEAT feature CFUIF.

Field descriptions (Sheet 1 of 6)

Field	Subfield or refinement	Entry	Explanation and action
LEN		see subfields	<p><i>Line equipment number</i></p> <p>This field defines the physical location of the equipment that is connected to a specific telephone line.</p> <p>Because field LEN is common to more than 60 tables, it is documented in a single section to avoid unnecessary duplication. Refer to section "Common entry field LEN" for a complete description of field LEN and associated subfields.</p> <p>For ISDN lines, field LEN consists of subfield LTID. For non-ISDN lines, field LEN consists of subfields SITE, FRAME, UNIT, DRAWER or LSG, SHELF, SLOT, and CIRCUIT.</p>
KEY		1 to 69	<p><i>Physical key</i></p> <p>Enter the number associated with the physical key to which the feature is being assigned. For code access features, the physical key is key 1, which is the primary directory number (PDN) key.</p> <p>For M3000 digital telephones, only key 10 can be assigned. For M2317 digital telephones, only key 16 can be assigned.</p>
FEAT		CFUIF	<p><i>Feature</i></p> <p>Enter CFUIF for the Call Forward Universal Intragroup Fixed feature.</p>

KSETFEAT feature CFUIF (continued)

Field descriptions (Sheet 2 of 6)

Field	Subfield or refinement	Entry	Explanation and action
FEATURE		CFUIF	<i>Feature</i> Enter CFUIF.
KVAR		see subfields	<i>Key variable area</i> This field consists of subfields CFUIFVAR, OPTVAR, and KEYLIST.
	CFUIFVAR	see subfield	<i>Call Forward Universal Intragroup Fixed variables</i> This subfield consists of subfield CFUIFOPT.
	CFUIFOPT	CFF, CFI, CFK, CFU, or N	<i>Call Forward Universal Intragroup Fixed option</i> Enter CFF if the line has feature Call Forward Fixed only and datafill refinement CFFDN. Enter CFI if the line has feature Call Forwarding Intragroup only and datafill subfield OPTVAR. Enter CFK if the line has feature Call Forwarding Universal per Key only and datafill subfield OPTVAR. Enter CFU if the line has feature Call Forwarding Universal only and datafill refinement OVRDACR. Enter N if the line does not have any of the above features and datafill subfield OPTVAR.
	OVRDACR	Y or N	<i>Override account code required</i> If the entry in subfield CFUIFOPT is CFU, enter Y (yes) if account code requirements for CFU calls are overridden. Otherwise, enter N (no). Go to subfield OPTVAR.
	CFFDN	numeric (1 to 24 digits)	<i>Call Forwarding Fixed directory number</i> If the entry in subfield CFUIFOPT is CFF, enter the DN to which the call is forwarded to when Call Forwarding Fixed is activated.
	OPTVAR	see subfield	<i>Optional variables</i> This subfield consists of subfield CFXOPTS.

KSETFEAT feature CFUIF (continued)

Field descriptions (Sheet 3 of 6)

Field	Subfield or refinement	Entry	Explanation and action
	CFXOPTS	Y or N	<p><i>Call Forwarding options</i> Enter Y (yes) if call forwarding options is required and datafill refinements SIMVAR, SCRVAR, CFRAVAR, and CMCFVAR.</p> <p>Otherwise, enter N (no) and go to subfield KEYLIST in this table.</p>
	SIMVAR	see subfield	<p><i>Simultaneous variables</i> This refinement consists of subfield SIMULT.</p>
	SIMULT	Y or N	<p><i>Simultaneous</i> Enter Y if the number of calls that can be forwarded simultaneously for the line must be set and datafill refinements NCFUIF, NCFB, NCFD, and NSCF.</p> <p>Otherwise, enter N and datafill refinement SCRVAR.</p>
	NCFUIF	1 to 1024	<p><i>Number of simultaneous Call Forward Universal Intragroup Fixed calls</i> If the entry in subfield SIMULT is Y, datafill this refinement. Enter the number of calls that can be forwarded simultaneously for the line with features CFU, CFI, and CFF.</p>
	NCFB	1 to 1024	<p><i>Number of simultaneous Call Forward Busy calls</i> If the entry in subfield SIMULT is Y, datafill this refinement. Enter the number of calls that can be forwarded simultaneously for the line with feature CFB.</p>
	NCFD	1 to 1024	<p><i>Number of simultaneous Call Forward Don't Answer calls</i> If the entry in subfield SIMULT is Y, datafill this refinement. Enter the number of calls that can be forwarded simultaneously for the line with feature CFD.</p>
	NSCF	1 to 1024	<p><i>Number of simultaneous selective Call Forwarding calls</i> If the entry in subfield SIMULT is Y, datafill this refinement. Enter the number of calls that can be forwarded simultaneously for the line with feature Selective Call Forwarding.</p>

KSETFEAT feature CFUIF (continued)**Field descriptions (Sheet 4 of 6)**

Field	Subfield or refinement	Entry	Explanation and action
	SCRVAR	see subfield	<i>Screening variables</i> This refinement consists of subfield SCREEN.
	SCREEN	N or NCOS	<i>Screening</i> Enter NCOS (network class of service) if screening of forwarded calls is required and datafill refinement CFXNCOS. Otherwise, enter N and datafill refinement SCFVAR. Any entry outside the range of indicated values for this field is invalid.
	CFXNCOS	0 to 511	<i>Call Forwarding network class of service screening</i> Enter the NCOS number required for screening the forwarded calls.
	SCFVAR	see subfield	<i>Selective Call Forwarding variables</i> This field consists of subfield SCFOPT.
	SCFOPT	Y or N	<i>Selective Call Forwarding options</i> Enter Y for selective call forwarding options and datafill refinement RINGMEM. Otherwise, enter N and go to refinement CFRAVAR.
	RINGMEM	NANORING or RING	<i>Ring reminder</i> This field indicates whether a ring splash is applied to the base station when a call is forwarded. Enter NA if the ring reminder value of the customer group is used (field CFXFEAT in table CUSTSTN). Enter NORING to suppress the ring reminder. Enter RING to send a ring reminder.
	CFRAVAR	see subfield	<i>Call Forwarding—remote access variables</i> This refinement consists of subfield CFRA.

KSETFEAT feature CFUIF (continued)

Field descriptions (Sheet 5 of 6)

Field	Subfield or refinement	Entry	Explanation and action
	CFRA	CFRA or N	<p><i>Call Forwarding—remote access</i> Enter CFRA if the station has the Call Forwarding Remote Access (CFRA) feature and datafill refinement CFRAAUTH.</p> <p>Otherwise, enter N and datafill refinement CMCFVAR.</p> <p>If subfield CFUIFOPT is set to N, this field must be equal to N.</p>
	CFRAAUTH	numeric (2 to 10 digits, 0 to 9, or N)	<p><i>Call Forwarding—remote access authorization code</i> This field is a vector of up to ten codes. Enter the authorization code or personal identification number (PIN) code the user must specify when accessing the CFRA feature.</p> <p>If more than one code is needed, separate each code with a space.</p>
	CMCFVAR	see subfield	<p><i>Control of multiple Call Forwarding</i> This refinement consists of subfield CMCF.</p>
	CMCF	Y or N	<p><i>Control of multiple Call Forwarding</i> Enter Y if the station has the Control of Multiple Call Forwarding option and datafill refinements ANCFI and ANCFE.</p> <p>Otherwise, enter N and go to subfield KEYLIST in this table.</p> <p>Note: Option CMCF must be assigned to the customer group in table CUSTSTN before table KSETFEAT.</p>
	ANCFI	0 to 1023	<p><i>Additional number of calls to forward intragroup</i> If the entry in refinement CMCF is Y, datafill this refinement. Enter the number of additional calls allowed to forward simultaneously over and above the group values for intragroup DNs, by a member of the customer group to a DN belonging to the same customer group.</p>

KSETFEAT feature CFUIF (end)**Field descriptions (Sheet 6 of 6)**

Field	Subfield or refinement	Entry	Explanation and action
	ANCFE	0 to 1023	<i>Additional number of calls to forward external</i> If the entry in subfield CMCF is Y, datafill this refinement. Enter the number of additional calls allowed to forward simultaneously over and above the group values for external DNs by a member of the customer group to a DN outside the customer group.
	KEYLIST	1 to 69	<i>Key list</i> Enter the list of keys (maximum of 24) of DN appearances to which this feature is assigned. Separate each key number with a space. Enter \$ as the only entry if the feature is associated with all DN appearances on the set. If less than 24 keys are assigned, end the list with a \$.

Datafill example

There is no example for feature CFUIF.

KSETFEAT feature CFX

Call Forwarding

For a description of feature CFX, refer to table KSETFEAT.

The following information is required for each line with one or more of the five call forwarding variants and data feature CFX:

- if the line is remote, the site name of the remote location
- the line equipment number (LEN) to which the line with the feature is assigned

Note: CFX will bypass a directory number (DN) that has packet mode data (PMD) feature assigned in KSETLINE. CFX will only forward calls to a key assigned to voice call type.

Datafill

The following table lists the datafill for table KSETFEAT feature CFX.

Field descriptions (Sheet 1 of 3)

Field	Subfield or refinement	Entry	Explanation and action
FEATKEY		see subfields	<i>KSET feature key</i> This field consists of subfields LEN, KEY, and FEAT.
	LEN	see subfields	<i>Line equipment number</i> This field defines the physical location of the equipment that is connected to a specific telephone line. Because field LEN is common to more than 60 tables, it is documented in a single section to avoid unnecessary duplication. Refer to section "Common entry field LEN" for a complete description of field LEN and associated subfields. For ISDN lines, field LEN consists of subfield LTID. For non-ISDN lines, field LEN consists of subfields SITE, FRAME, UNIT, DRAWER or LSG, SHELF, SLOT, and CIRCUIT.

KSETFEAT feature CFX (continued)

Field descriptions (Sheet 2 of 3)

Field	Subfield or refinement	Entry	Explanation and action
FEATURE KVAR	KEY	1 to 69	<p><i>Physical key</i> Enter the number associated with the physical key to which the feature is being assigned. For code access features, the feature is assigned to key 1, which is the primary directory number (PDN) key.</p> <p>For M3000 digital telephones, only key 10 can be assigned. For M2317 digital telephones, only key 16 can be assigned.</p>
	FEAT	CFX	<p><i>Feature</i> Enter CFX for the Call Forwarding feature.</p>
		CFX	<p><i>Feature</i>Enter CFX.</p>
		see subfields	<p><i>Key variable area</i> This field consists of subfields CFUIFVAR, CFBDVAR, OPTVAR, and KEYLIST. Separate each subfield with a space.</p>
	CFUIFVAR	see subfield	<p><i>Call Forward Universal Intragroup Fixed variables</i> This field consists of subfield CFUIFOPT.</p>
	CFUIFOPT	CFF, CFI, CFK, CFU, or N	<p><i>Call Forward Universal Intragroup fixed option</i> Enter CFF if the line has the Call Forward Fixed feature only and datafill refinement CFFDN.</p> <p>Enter CFI if the line has the Call Forward Intragroup feature only and datafill field CFBDVAR.</p> <p>Enter CFK if the line has the Call Forward Universal per Key feature only and datafill field CFBDVAR.</p> <p>Enter CFU if the line has the Call Forward Universal feature only and datafill refinement OVRDACR.</p> <p>Enter N if the line does not have any of the above options and datafill field CFBDVAR.</p>

KSETFEAT feature CFX (continued)

Field descriptions (Sheet 3 of 3)

Field	Subfield or refinement	Entry	Explanation and action
	OVRDACR	Y or N	<p><i>Override account code required</i></p> <p>If the entry in subfield CFUIFOPT is CFU, datafill this refinement. Enter Y (yes) if account code requirements for CFU calls are overridden. Otherwise, enter N (no).</p> <p>Datafill subfield CFBDVAR.</p>
	CFFDN	numeric(1 to 30 digits)	<p><i>Call Forward Fixed directory number</i></p> <p>If the entry in subfield CFUIFOPT is CFF, datafill this refinement. Enter the DN to which the call is forwarded to when feature CFF is activated.</p> <p>Datafill subfield CFBDVAR.</p>
	CFBDVAR	see subfield	<p><i>Call Forward Busy Don't Answer variables</i></p> <p>This field consists of subfield CFBDOPT.</p>
	CFBDOPT	CFB, CFBD, CFD, or N	<p><i>Call Forward Busy Don't Answer option</i></p> <p>Enter CFB if the line has only feature Call Forward Busy and datafill refinements CFBCNTL, CBTYPE, CFBDN, ICFBDN, and EXCFBDN starting in section "CFBODT = CFB or CFBD".</p> <p>Enter CFBD if the line has both feature Call Forward Busy and feature Call Forward Don't Answer, and datafill refinements CFBCNTL, CBTYPE, CFBDN, ICFBDN, EXCFBDN, CFDCNTL, CDTYPE, CFDDN, INCFDDN, and EXCFDDN starting in section "CFBODT = CFB or CFBD".</p> <p>Enter CFD if the line has only feature Call Forward Don't Answer and datafill refinements CFDCNTL, CDTYPE, CFDDN, INCFDDN, and EXCFDDN starting on section "CFBDOPT = CFBD or CFD entries".</p> <p>Enter N if the line does not have any of the above features. No refinements need datafilling. Go to field OPTVAR in section "CFBDOPT = all entries".</p>

KSETFEAT feature CFX (continued)**CFBDOPT = CFB or CFBD**

If the entry in subfield CFBDOPT is CFB or CFBD, datafill the following refinements.

Field descriptions for conditional datafill (Sheet 1 of 3)

Field	Subfield or refinement	Entry	Explanation and action
	CFBCNTL	F, N, P, or K	<p><i>Call Forward Busy control</i></p> <p>Enter F (fixed) if the CFB feature is activated or deactivated by the user. Field CFBDN is datafilled by the operating company and is supplied by the user during application.</p> <p>Enter N (the default) if feature CFB is always activated.</p> <p>Enter P (programming) if feature CFB is activated or deactivated by the user.</p> <p>This field is datafilled K when CFB/CFD per key destination is assigned to the LEN by SERVORD. Assign CFB/CFD per key destination keys in field KEYLIST.</p>
	CBTYPE	CBE, CBECBU, CBI, CBICBU, CBU, IECFB, IECFBCBU, or N	<p><i>Call Forward Busy type</i></p> <p>If the entry in refinement CFBCNTL is P, enter the CFB selector described below and go to refinement CFDCNTL.</p> <p>Enter CBE to deny external (outside the customer group) calls forwarded when the line is busy. Intragroup calls are forwarded to remote station within the customer group.</p> <p>Enter CBECBU to deny external (outside the customer group) calls forwarded. Intragroup calls are forwarded to remote stations within or outside the customer group (unrestricted).</p>

KSETFEAT feature CFX (continued)

Field descriptions for conditional datafill (Sheet 2 of 3)

Field	Subfield or refinement	Entry	Explanation and action
	CBTYPE(continued)		<p>Enter CBI to deny intragroup calls forwarded. External calls are forwarded to remote stations within the customer group.</p> <p>Enter CBICBU to deny intragroup calls forwarded. External calls are forwarded to remote station within or outside the customer group (unrestricted).</p> <p>Enter CBU to have all calls forwarded to remote stations within or outside the customer group (unrestricted).</p> <p>Enter IECFB to forward internal (inside the customer group) and external (outside the customer group) calls to remote stations within the customer group specified by refinements INCFBDN and EXCFBDN respectively.</p> <p>Enter IECFBCBU to forward internal (inside the customer group) and external (outside the customer group) calls to remote stations within or outside the customer group specified by refinements INCFBDN and EXCFBDN respectively.</p> <p>Enter N to forward all calls to remote stations within the customer group.</p> <p>If the entry in subfield CFBDOPT is CFB and the entry in refinement CFBCNTL is P, go to subfield OPTVAR in section "CFBDOPT = all entries".</p> <p>If the entry in subfield CFBDOPT is CFBD and the entry in refinement CFBCNTL is P, go to subfield CFDCNTL in section "CFBDOPT = CFBD or CFD entries".</p>
	CFBDN	numeric(1 to 30 digits)	<p><i>Call Forward Busy directory number</i></p> <p>If the entry in refinement CFBCNTL is F or N and the entry in refinement CBTYPE is CBE, CBI, CBECBU, CBICBU, CBU, or N, enter the DN to which the call is forwarded when the line is busy. Go to field OPTVAR in section "CFBDOPT = all entries".</p>

KSETFEAT feature CFX (continued)

Field descriptions for conditional datafill (Sheet 3 of 3)

Field	Subfield or refinement	Entry	Explanation and action
	INCFBDN	numeric (1 to 30 digits)	<i>Call Forward Busy internal directory number</i> If the entry in refinement CFBCNTL is F or N and refinement CBTYPE is set to IECFB or IECFBCBU, enter the internal DN to which the call is forwarded when the line is busy.
	EXCFBDN	numeric (1 to 30 digits)	<i>Call Forward Busy external directory number</i> If the entry in refinement CFBCNTL is F or N, and refinement CBTYPE is set to IECFB or IECFBCBU, enter the external DN to which the call is forwarded when the line is busy. If the entry in subfield CFBDOPT is CFB, go to field OPTVAR in section "CFBDOPT = all entries"..

KSETFEAT feature CFX (continued)

CFBDOPT = CFBD or CFD entries

If the entry in subfield CFBDOPT is CFBD or CFD, datafill the following refinements.

Field descriptions for conditional datafill (Sheet 1 of 3)

Field	Subfield or refinement	Entry	Explanation and action
	CFDCNTL	F, N, P, or K	<p><i>Call Forward Don't Answer control</i> For control of activation, deactivation and programming of feature CFD, enter F (fixed) if the CFD feature is activated or deactivated by the user. Field CFDDN is datafilled by the operating company.</p> <p>Enter N (default) if feature CFD is always activated. Field CFDDN is datafilled by the operating company.</p> <p>Enter P (programming) if feature CFD is activated or deactivated by the user. The entry for field CFDDN is supplied by the user during activation.</p> <p>This field is datafilled K when CFB/CFD per key destination is assigned to the LEN by SERVORD. Assign CFB/CFD per key destination keys in field KEYLIST.</p>
	CDTYPE	CDE, CDECDU, CDI, CDICDU, CDU, IECFD, IECFDCDU, or N	<p><i>Call Forward Don't Answer type</i> If the entry in refinement CFDCNTL is P, enter a CD selector described below and go to subfield OPTVAR in section "CFBDOPT = all entries".</p> <p>For forwarding calls when the line has feature Call Forward Don't Answer, enter CDE to deny external calls forwarded. Intragroup calls are forwarded to remote station within the customer group.</p> <p>Enter CDECDU to deny external calls forwarded. Intragroup calls are forwarded to remote stations within or outside the customer group (unrestricted).</p>

KSETFEAT feature CFX (continued)**Field descriptions for conditional datafill (Sheet 2 of 3)**

Field	Subfield or refinement	Entry	Explanation and action
	CDTYPE(co ntinued)		<p>Enter CDI to deny intragroup calls forwarded. External calls are forwarded to remote station within the customer group.</p> <p>Enter CDICDU to deny intragroup calls forwarded. External calls are forwarded to remote stations within or outside the customer group (unrestricted).</p> <p>Enter CDU to call forward all calls to remote stations within or outside the customer group (unrestricted).</p> <p>Enter IECFD to forward internal (inside the customer group) and external (outside the customer group) calls to remote stations within the customer group specified by refinement INCFDDN and EXCFDDN respectively.</p> <p>Enter IECFDCDU to forward internal (inside the customer group) and external (outside the customer group) calls to remote stations within or outside the customer group specified by refinements INCFDDN and EXCFDDN respectively.</p> <p>Enter N to call forward all calls to remote stations within the customer group.</p>
	CFDDN	numeric (1 to 30 digits)	<p><i>Call Forward Don't Answer directory number</i></p> <p>If refinement CFDCNTL is set to F or N and refinement CDTYPE is set to CDE, CDECDCU, CDI, CDICDU, CDU, or N, enter the DN to which the call is forwarded when the line does not answer.</p>

KSETFEAT feature CFX (continued)**Field descriptions for conditional datafill (Sheet 3 of 3)**

Field	Subfield or refinement	Entry	Explanation and action
	INCFDDN	numeric (1 to 30 digits)	<i>Call Forward Don't Answer internal directory number</i> If refinement CFDCNTL is set to F or N, and refinement CDTYPE is set to IECFD or IECFDCDU, enter the internal DN to which the call is forwarded when the line does not answer.
	EXCFDDN	numeric (1 to 30 digits)	<i>Call Forward Don't Answer external directory number</i> If refinement CFDCNTL is set to F or N, and refinement CDTYPE is set to IECFD or IECFDCDU, enter the external DN to which the call is forwarded when the line does not answer. Go to subfield OPTVAR.

CFBDOPT = all entries

For all entries in subfield CFBDOPT, datafill the following fields.

Field descriptions (Sheet 1 of 5)

Field	Subfield or refinement	Entry	Explanation and action
	OPTVAR	see subfield	<i>Call Forwarding option variables</i> This field consists of subfield CFXOPTS.
	CFXOPTS	Y or N	<i>Call Forwarding options</i> If Call Forwarding options are required, enter Y (yes) and datafill refinements SIMVAR, SCRVAR, SCFVAR, CFRAVAR, and CMCFVAR. Otherwise, enter N (no) and go to subfield KEYLIST in this field description table.
	SIMVAR	see subfield	<i>Simultaneous variables</i> This refinement consists of subfield SIMULT.

KSETFEAT feature CFX (continued)

Field descriptions (Sheet 2 of 5)

Field	Subfield or refinement	Entry	Explanation and action
	SIMULT	Y or N	<p><i>Simultaneous</i></p> <p>If the entry in refinement CFXOPT is Y, datafill this refinement. Enter Y if the number of calls that can be forwarded simultaneously for the line must be set and datafill refinements NCFUIF, NCFB, NCFD, and NSCF.</p> <p>Otherwise, enter N and go to subfield SCRVAR.</p>
	NCFUIF	1 to 1024	<p><i>Number of simultaneous Call Forwarding Universal Intragroup Fixed calls</i></p> <p>If the entry in refinement SIMULT is Y, datafill this refinement. Enter the number of calls that can be forwarded simultaneously for the line with Call Forwarding Universal, Intragroup and Fixed.</p>
	NCFB	1 to 1024	<p><i>Number of simultaneous Call Forward Busy calls</i></p> <p>If the entry in refinement SIMULT is Y, datafill this refinement. Enter the number of calls that can be forwarded simultaneously for the line with Call Forward Busy.</p>
	NCFD	1 to 1024	<p><i>Number of simultaneous Call Forward Don't Answer calls</i></p> <p>If the entry in refinement SIMULT is Y, datafill this refinement. Enter the number of calls that can be forwarded simultaneously for the line with Call Forward Don't Answer.</p>
	NSCF	1 to 1024	<p><i>Number of simultaneous selective Call Forward calls</i></p> <p>If the entry in refinement SIMULT is Y, datafill this refinement. Enter the number of calls that can be forwarded simultaneously for the line with Selective Call Forwarding.</p>
	SCRVAR	see subfield	<p><i>Screening variables</i></p> <p>This refinement consists of subfield SCREEN.</p>

KSETFEAT feature CFX (continued)

Field descriptions (Sheet 3 of 5)

Field	Subfield or refinement	Entry	Explanation and action
	SCREEN	N, NCOS, or SCRNCL	<p><i>Screening</i> Enter NCOS if screening of forwarded calls is required and datafill refinement CFXNCOS.</p> <p>Enter SCRNCL to clear screening of forwarded calls.</p> <p>Otherwise, enter N and go to subfield SCFVAR.</p> <p>Any entry outside the range of indicated values for this field is invalid.</p>
	CFXNCOS	0 to 511	<p><i>Call Forwarding network class of service screening</i> If the entry in refinement SCREEN is NCOS, enter the NCOS number required for screening the forwarded calls.</p>
	SCFVAR	see subfield	<p><i>Selective Call Forwarding variables</i> This field consists of subfield SCFOPT.</p>
	SCFOPT	Y or N	<p><i>Selective Call Forwarding options</i> Enter Y for selective call forwarding options and datafill refinement RINGMEM.</p> <p>Otherwise, enter N and go to refinement CFRAVAR.</p>
	RINGMEM	NANORING or RING	<p><i>Ring reminder</i> This field indicates whether a ring splash is applied to the base station when a call is forwarded.</p> <p>Enter NA if the ring reminder value of the customer group is used (field CFXFEAT in table CUSTSTN).</p> <p>Enter NORING to suppress the ring reminder.</p> <p>Enter RING to send a ring reminder.</p>
	CFRAVAR	see subfield	<p><i>Call Forwarding remote access variables</i> This refinement consists of subfield CFRA.</p>

KSETFEAT feature CFX (continued)

Field descriptions (Sheet 4 of 5)

Field	Subfield or refinement	Entry	Explanation and action
	CFRA	CFRA or N	<p><i>Call Forward remote access</i> Enter CFRA if the station has the Call Forward Remote Access (CFRA) option and datafill refinement CFRAAUTH.</p> <p>Otherwise, enter N and go to refinement CMCFVAR.</p> <p>If subfield CFUIFOPT in the first field description table in this document is set to N, this field must be equal to N.</p>
	CFRAAUTH	numeric (2 to 10 digits, 0 to 9, or N)	<p><i>Call Forward remote access authorization code</i> This field is a vector of up to ten codes. Enter the two- to ten-digit authorization code or personal identification number (PIN) code the user must specify when accessing the CFRA feature.</p> <p>If more than one code is needed, separate each code with a space.</p>
	FIRSTUSE	Y or N	<p><i>First Use</i> This field indicates whether or not the user still needs to change the PIN before using CFRA for the first time when option SPP is datafilled in table CUSTSTN. This field should be set to Y to require the user to change their PIN using SPP before using CFRA for the first time.</p>
	CMCFVAR	see subfield	<p><i>Control of multiple Call Forwarding</i>This refinement consists of subfield CMCF.</p>
	CMCF	Y or N	<p><i>Control of multiple Call Forwarding</i> Enter Y if the station has the control of multiple call forwarding (CMCF) option and datafill refinements ANCFI and ANCFE.</p> <p>Otherwise, enter N and go to subfield KEYLIST.</p> <p>Note: Option CMCF must be assigned to the customer group in table CUSTSTN before table KSETFEAT.</p>

KSETFEAT feature CFX (continued)

Field descriptions (Sheet 5 of 5)

Field	Subfield or refinement	Entry	Explanation and action
	ANCFI	0 to 1023	<i>Additional number of calls to forward intragroup</i> If the entry in refinement CMCF is Y, datafill this refinement. Enter the number of additional calls allowed to forward simultaneously over and above the group values for intragroup DNs, by a member of the customer group to a DN belonging to the same customer group.
	ANCFE	0 to 1023	<i>Additional number of calls to forward external</i> If the entry in refinement CMCF is Y, datafill this refinement. Enter the number of additional calls allowed to forward simultaneously over and above the group values for external DNs by a member of the customer group to a DN outside the customer group.
	KEYLIST	1 to 69	<i>Key list</i> Enter the list of keys (maximum of 24) of DN appearances to which feature CFX is assigned. Separate each key number with a space. Enter \$ as the only entry if the feature is associated with all DN appearances on the set. If less than 24 keys are assigned, end the list with a \$.

Datafill example

The following examples show sample datafill for table KSETFEAT feature CFX.

An example of datafill for a line with features CFU and CFI is shown below.

FEATURECFX is assigned to the key 8 of the set with LEN 00 0 02 04 at the host switching unit and DN appearances in the keylist having this feature is 1, 3, and 5.

The set has the CFU and CFI features, but not the CFB or CFD features.

KSETFEAT feature CFX (continued)

Screening and simultaneous limit on the forwarded call is not required.

MAP display example for table KSETFEAT feature CFX

FEATKEY	FEATURE								KVAR	
HOST	00	0	02	04	8	CFX	CFX	N	N	N
	(1)	(3)	(5)	\$						

An example of datafill for a line with the CFI and CFB features is shown below.

FEATURECFX is assigned to key 8 of the set with LEN 00 0 02 04 at the host switching unit and all DN appearances on the set have this feature.

All intragroup calls are not forwarded when set is busy.

The CFB feature is activated by the subscriber, but field CBFDN is datafilled by the operating company.

The station number to which busy calls are forwarded is 5234.

The number of calls that can be forwarded simultaneously for features CFU, CFI, CFF, CFB, an CFD is 20.

Screening of forwarded calls is not required.

MAP display example for table KSETFEAT feature CFX

FEATKEY	FEATURE								KVAR
HOST	00	0	02	04	8	CFX	CFX	CFI	
							CFB F	CBI	5234
						Y Y	20 20 33 33	N N N N	
								(1) (3) (5)\$	

KSETFEAT feature CFX (end)

An example of datafill for a set with the CFB and CFD features only is shown below.

FEATURECFX is assigned to the primary DN key that is, key 1 of the set, with LEN 00 0 02 04 at the host switching unit and DN appearances on keys 1, 2, and 3 have this feature.

Features CFB and CFD are activated by the user and the forward-to numbers are provided by the user during activation.

Intragroup calls are not forwarded if they are not answered.

The number of simultaneously forwarded calls is not required for this line. The number is controlled by either the MULTFA or MULTFB options in table CUSTSTN if present, or set to 1 if the options are not present.

Screening of the forwarded calls is required and the call forwarding NCOS is 100.

MAP display example for table KSETFEAT feature CFX

FEATKEY	FEATURE		KVAR			
HOST 00 0 02 04 1	CFX	CFX				
			CFBD P	N P		CDI
			Y N	NCOS 100	N N	N
				(1)	(2)	(3)\$

KSETFEAT feature CFXDNCT

Call Forwarding per DN per Call Type

Option CFXDNCT allows an NI-2 Integrated Services Digital Network (ISDN) device to forward calls according to DN and call type. Voiceband information (VI) and circuit-mode data (CMD) call types can forward calls to different destinations.

Use option CFXDNCT with the following call forwarding (CFW) subfeatures for NI-2 terminals:

- Call Forward Busy External (CBE)
- Call Forward Busy Internal (CBI)
- Call Forward Busy Universal (CBU)
- Call Forward Don't Answer External (CDE)
- Call Forward Don't Answer Internal (CDI)
- Call Forward Don't Answer Universal (CDU)
- Call Forward Busy (CFB)
- Call Forward Don't Answer (CFD)
- Call Forward Fixed (CFF)
- Call Forward Intragroup (CFI)
- Call Forward Remote Access (CFRA)
- Call Forward Universal (CFU)

Option CFXDNCT supports these subfeatures if you use option CFXDNCT to enter them to a DN through SERVORD. If you add these features to a terminal before you add option CFXDNCT, you cannot add option CFXDNCT to the same terminal.

See the feature description ISDN Redirection Services (CFW) in this document for more information.

KSETFEAT feature CFXDNCT (continued)

Datafill

The following table lists the datafill for table KSETFEAT feature CFXDNCT.

Field descriptions (Sheet 1 of 2)

Field	Subfield or refinement	Entry	Explanation and action
FEATKEY		see subfields	<i>KSET feature key</i> This field consists of subfields LEN, KEY, and FEAT.
	LEN	see subfields	<i>Line equipment number</i> This field defines the physical location of the equipment that is connected to a specific telephone line. For ISDN lines, field LEN consists of subfield LTID.
	KEY	1 to 69	<i>Physical key</i> Enter the number of the DN key that has call forwarding feature assigned in table KSETLINE.
	FEAT	CFXDNCT	<i>Feature</i> Enter CFXDNCT to assign this feature to the specified key.
FEATURE		CFXDNCT	<i>Feature</i> Enter CFXDNCT to assign this feature to the specified key.
KVAR		see subfields	<i>Key variable area</i> This field consists of subfields CALLTYPE and NOTIFY.
	CALLTYPE	VI, CMD, or PMD	<i>Call type</i> This field stores data associated with the call type of the forwarded DN. This field enables the NI-2 ISDN Redirection Service. Enter VI for voiceband information or CMD for circuit-mode data. PMD is not supported.

KSETFEAT feature CFXDNCT (end)**Field descriptions (Sheet 2 of 2)**

Field	Subfield or refinement	Entry	Explanation and action
			<p>If you enter the CFW subfeature CFU as the CFX type, datafill the following subfield.</p> <p>Note: See the KSETFEAT option CFX data schema description in this document for a description of all fields in KSETFEAT that apply to CFW.</p>
	NOTIFY	Y or N	<p><i>Notify</i></p> <p>This field provides Reminder Notification.</p>

Datafill example

The following example shows sample datafill for table KSETFEAT feature CFXDNCT.

MAP display example for table KSETFEAT feature CFXDNCT

```

FEATKEY  FEATURE  KVAR
-----
FUNC 1 14 CFXDNCT CFXDNCT CFU N N CFB P N N (1,5) VI $

```

KSETFEAT feature CFXVAL

Call Forwarding Validation

Feature CFXVAL enables the MDC Optional Courtesy Call service (customer group option *CFWVAL*) for the specified NI-2 or NI-3 ISDN terminal. The pre-NI-2 service is still supported. Option CFXVAL allows Optional Courtesy Call to be provisioned on each ISDN device in addition to on each customer group. Option CFXVAL takes precedence over option CFWVAL. This option is added once for each logical terminal identifier (LTID) that subscribes.

Datafill

The following table lists the datafill for table KSETFEAT feature CFXVAL.

Field descriptions

Field	Subfield or refinement	Entry	Explanation and action
FEATKEY		see subfields	<i>KSET feature key</i> This field consists of subfields LEN, KEY, and FEAT.
	LEN	see subfields	<i>Line equipment number</i> This field defines the physical location of the equipment that is connected to a specific telephone line. For ISDN lines, field LEN consists of subfield LTID.
	KEY	1 to 69	<i>Physical key</i> Enter the number of the DN key that has feature CFXVAL assigned in table KSETLINE.
	FEAT	CFXVAL	<i>Feature</i> Enter CFXVAL to assign this feature to the specified key.
FEATURE		CFXVAL	<i>Feature</i> Enter CFXVAL to assign this feature to the specified key.
KVAR		see subfield	<i>Key variable area</i> This field consists of refinement TERMOPT.
		Y or N	<i>Termination option</i> Enter Y to allow a courtesy call to the remote DN when a user programs CFX from a set. Enter N to disallow a courtesy call to the remote DN when a user programs CFX from a base station.

KSETFEAT feature CFXVAL (end)

Datafill example

The following example shows sample datafill for table KSETFEAT feature CFXVAL.

MAP display example for table KSETFEAT feature CFXVAL

FATKEY	FEATURE	KVAR
ISDN 1	CFXVAL	CFXVAL Y \$

KSETFEAT feature CIDS DLV

Caller ID Delivery and Suppression (CIDS) Delivery (CIDS DLV)

CIDS DLV enables a subscriber to deliver the call originator's name and number according to each call. This feature applies to ISDN BRI subscribers only.

Datafill

The following table lists the datafill for table KSETFEAT feature CIDS DLV.

Field descriptions (Sheet 1 of 2)

Field	Subfield or refinement	Entry	Explanation and action
FEATKEY		see subfields	<i>KSET feature key</i> This field is a three-part key. It consists of entries LEN, KEY, and FEAT.
	LEN	see explanation	<i>Line equipment number</i> This field defines the physical location of the equipment that is connected to a specific telephone line. Because field LEN is common to more than 60 tables, it is documented in a single section to avoid unnecessary duplication. Refer to section "Common entry field LEN" for a complete description of field LEN and associated subfields. For ISDN lines, field LEN consists of subfield LTID.
	KEY	1 to 69	<i>Physical key</i> Enter the number of the DN key that has feature CIDS DLV assigned in table KSETLINE.
	FEAT	CIDS DLV	<i>Feature</i> Enter CIDS DLV to assign this feature to the specified key.
FEATURE		CIDS DLV	<i>Feature</i> Enter CIDS DLV to assign this feature to the specified key.
KVAR		see subfields	<i>Key variable area</i> This field consists of subfields billing option and keylist.

KSETFEAT feature CIDSDLV (end)**Field descriptions (Sheet 2 of 2)**

Field	Subfield or refinement	Entry	Explanation and action
		AMA or NOAMA	<i>Billing option</i> Enter AMA if billing records are required. Enter NOAMA if they are not required.
		1-69, or \$	<i>Keylist</i> Enter the DN key number (or numbers) to which this feature applies. A dollar sign (\$) indicates that CIDSDLV applies to all DN keys.

Datafill example

The following example shows sample datafill for table KSETFEAT feature CIDSDLV.

MAP display example for table KSETFEAT feature CIDSDLV

TABLE: KSETFEAT

FEATKEY FEATURE KVAR

HOST 00 0 13 12 1 CIDSDLV CIDSDLV NOAMA (1) (2) \$

KSETFEAT feature CIDSSUP

Caller ID Delivery and Suppression (CIDS) Suppression (CIDSSUP)

CIDSSUP enables a subscriber to block the delivery of the call originator's name and number according to each call. This feature applies to ISDN BRI subscribers only.

Datafill

The following table lists the datafill for table KSETFEAT feature CIDSSUP.

Field descriptions (Sheet 1 of 2)

Field	Subfield or refinement	Entry	Explanation and action
FEATKEY		see subfields	<i>KSET feature key</i> This field is a three-part key. It consists of entries LEN, KEY, and FEAT.
	LEN	see explanation	<i>Line equipment number</i> This field defines the physical location of the equipment that is connected to a specific telephone line. Because field LEN is common to more than 60 tables, it is documented in a single section to avoid unnecessary duplication. Refer to section "Common entry field LEN" for a complete description of field LEN and associated subfields. For ISDN lines, field LEN consists of the LTID.
	KEY	1 -69	<i>Physical key</i> Enter the number of the DN key that has feature CIDSSUP assigned in table KSETLINE.
	FEAT	CIDSSUP	<i>Feature</i> Enter CIDSSUP to assign this feature to the specified key.
FEATURE		CIDSSUP	<i>Feature</i> Enter CIDSSUP to assign this feature to the specified key.
KVAR		see subfields	<i>Key variable area</i> This field consists of subfields billing option and keylist.

KSETFEAT feature CIDSSUP (end)**Field descriptions (Sheet 2 of 2)**

Field	Subfield or refinement	Entry	Explanation and action
		AMA or NOAMA	<i>Billing option</i> Enter AMA if billing records are required. Enter NOAMA if they are not required.
		1-69, or \$	<i>Keylist</i> Enter the DN key number (or numbers) to which this feature applies. A dollar sign (\$) indicates that CIDSSUP applies to all DN keys.

Datafill example

The following example shows sample datafill for table KSETFEAT feature CIDSSUP.

MAP display example for table KSETFEAT feature CIDSSUP

TABLE: KSETFEAT

FEATKEY FEATURE KVAR

HOST 00 0 13 12 1 CIDSSUP CIDSSUP NOAMA (1) (2) \$

KSETFEAT feature CIF

Controlled Interflow

For a description of feature CIF, refer to KSETFEAT.

Datafill

The following table lists the datafill for table KSETFEAT feature CIF.

Field descriptions

Field	Subfield or refinement	Entry	Explanation and action
FEATKEY		see subfields	<i>KSET feature key</i> This field consists of subfields LEN, KEY, and FEAT.
	LEN	see subfields	<i>Line equipment number</i> This field defines the physical location of the equipment that is connected to a specific telephone line. Because field LEN is common to more than 60 tables, it is documented in a single section to avoid unnecessary duplication. Refer to section "Common entry field LEN" for a complete description of field LEN and associated subfields. For ISDN lines, field LEN consists of subfield LTID. For non-ISDN lines, field LEN consists of subfields SITE, FRAME, UNIT, DRAWER or LSG, SHELF, SLOT, and CIRCUIT.
	KEY	1 to 69	<i>Physical key</i> Enter the key number for feature CIF.
	FEAT	CIF	<i>Feature</i> Enter CIF for the Controlled Interflow feature.
FEATURE		CIF	<i>Feature</i> Enter CIF.
KVAR		see subfield	<i>Key variable area</i> This field consists of subfield ACDGRP.
	ACDGRP	alphanumeric (1 to 16 characters)	<i>Automatic Call Distribution group</i> Enter the source Automatic Call Distribution (ACD) group. See table ACDGRP.

KSETFEAT feature CIF (end)

Datafill example

The following example shows sample datafill for table KSETFEAT feature CIF.

The feature is assigned to DN appearance on key 5 of a set with LEN 00 0 02 04 at the host switching unit. The ACD group is ACDGRP99.

MAP display example for table KSETFEAT feature CIF

	FPEATKEY	FEATURE	KVAR
HOST	00 0 02 04 5	CIF	CIF ACDGRP99

KSETFEAT feature CLI

Calling Line Identification

For a description of feature CLI, refer to KSETFEAT.

The following information is required for each line with directory number (DN) feature CLI:

- if set is remote, the site name of the remote location
- the line equipment number (LEN) of the set to which the DN appearance with this feature is assigned

Datafill

The following table lists the datafill for table KSETFEAT feature CLI.

Field descriptions (Sheet 1 of 2)

Field	Subfield or refinement	Entry	Explanation and action
FEATKEY		see subfields	<i>KSET feature key</i> This field consists of subfields LEN, KEY, and FEAT.
	LEN	see subfields	<i>Line equipment number</i> This field defines the physical location of the equipment that is connected to a specific telephone line. Because field LEN is common to more than 60 tables, it is documented in a single section to avoid unnecessary duplication. Refer to section "Common entry field LEN" for a complete description of field LEN and associated subfields. For ISDN lines, field LEN consists of subfield LTID. For non-ISDN lines, field LEN consists of subfields SITE, FRAME, UNIT, DRAWER or LSG, SHELF, SLOT, and CIRCUIT.
	KEY	1 to 69	<i>Physical key</i> Enter the number associated with the directory number (DN) appearance to which the feature is being assigned. For M3000 digital telephones, only keys 1 to 6 can be assigned. For M2317 digital telephones, only keys 1 to 11 can be assigned.

KSETFEAT feature CLI (end)**Field descriptions (Sheet 2 of 2)**

Field	Subfield or refinement	Entry	Explanation and action
	FEAT	CLI	<i>Feature</i> Enter CLI for the Calling Line Identification feature.
FEATURE		CLI	<i>Feature</i> Enter CLI.

Datafill example

An example of datafill for an DN appearance with feature CLI is shown below.

The LEN of the set is 00 0 02 04 at the host switching unit and the key assigned to the DN appearance requiring feature CLI is 5.

MAP display example for table KSETFEAT feature CLI

	FATKEY	FEATURE	KVAR
HOST 00 0 02 04 5	CLI	CLI	

KSETFEAT feature CNF

Flexible Station-controlled Conference

For a description of feature CNF, refer to KSETFEAT.

This is a set feature that can be assigned to a vacant key or assigned as access code feature. This feature is not valid for data units (DU).

The following information is required for each line with feature CNF:

- if set is remote, the site name of the remote location
- the line equipment number (LEN) to which the set with the feature is assigned
- the maximum number of conferees (6, 10, 14, 18, 22, 26, or 30)

Datafill

The following table lists the datafill for table KSETFEAT feature CNF.

Field descriptions (Sheet 1 of 2)

Field	Subfield or refinement	Entry	Explanation and action
FEATKEY		see subfields	<i>KSET feature key</i> This field consists of subfields LEN, KEY, and FEAT.
	LEN	see subfields	<i>Line equipment number</i> This field defines the physical location of the equipment that is connected to a specific telephone line. Because field LEN is common to more than 60 tables, it is documented in a single section to avoid unnecessary duplication. Refer to section "Common entry field LEN" for a complete description of field LEN and associated subfields. For ISDN lines, field LEN consists of subfield LTID. For non-ISDN lines, field LEN consists of subfields SITE, FRAME, UNIT, DRAWER or LSG, SHELF, SLOT, and CIRCUIT.

KSETFEAT feature CNF (continued)**Field descriptions (Sheet 2 of 2)**

Field	Subfield or refinement	Entry	Explanation and action
	KEY	1 to 69	<i>Physical key</i> Enter the number associated with the physical key to which the feature is being assigned. For code access features, the feature is assigned to key 1, which is the primary directory number (PDN) key. For M3000 digital telephones, only key 11 can be assigned. For M2317 digital telephones, only key 17 can be assigned.
	FEAT	CNF	<i>Feature</i> Enter CNF for the Flexible Station-controlled Conference feature.
FEATURE		CNF	<i>Feature</i> Enter CNF.
KVAR		see subfield	<i>Key variable area</i> This field consists of subfield MAXSIZE.
	MAXSIZE	C06, C10, C14, C18, C22, C26, or C30	<i>Maximum number of conferees</i> Enter the maximum number of conferees: C06 (six), C10 (ten), C14 (fourteen), C18 (eighteen), C22 (twenty-two), C26 (twenty-six), or C30 (thirty). For M3000 and M2317, only C06 can be assigned.

Datafill example

The following example shows sample datafill for table KSETFEAT feature CNF.

The feature is assigned to key 7 of a set with LEN 00 0 02 04 at the host switching unit.

The maximum number of conferees is 14.

KSETFEAT feature CNF (end)

MAP display example for table KSETFEAT feature CNF

	FATKEY	FEATURE	KVAR
HOST 00 0 02 04 7	CNF	CNF C14	

KSETFEAT feature COT

Customer-originated Trace

For a description of feature COT, refer to KSETFEAT.

The COT feature is assigned to key 1 with a keylist or to a dedicated key on the business set with a keylist. The COT feature is assigned to the primary member of a single call arrangement (SCA) multiple appearance directory number (MADN) group. The COT feature is incompatible with multiple call arrangement (MCA) MADN and MADN CACH business sets.

Datafill

The following table lists the datafill for table KSETFEAT feature COT.

Field descriptions (Sheet 1 of 2)

Field	Subfield or refinement	Entry	Explanation and action
FEATKEY		see subfields	<i>KSET feature key</i> This field consists of subfields LEN, KEY, and FEAT.
	LEN	see subfields	<i>Line equipment number</i> This field defines the physical location of the equipment that is connected to a specific telephone line. Because field LEN is common to more than 60 tables, it is documented in a single section to avoid unnecessary duplication. Refer to section "Common entry field LEN" for a complete description of field LEN and associated subfields. For ISDN lines, field LEN consists of subfield LTID. For non-ISDN lines, field LEN consists of subfields SITE, FRAME, UNIT, DRAWER or LSG, SHELF, SLOT, and CIRCUIT.
	KEY	1 to 69	<i>Physical key</i> Enter the key number for feature COT.
	FEAT	COT	<i>Feature</i> Enter COT for the Customer Originated Trace feature.

KSETFEAT feature COT (continued)

Field descriptions (Sheet 2 of 2)

Field	Subfield or refinement	Entry	Explanation and action
FEATURE		COT	<i>Feature</i> Enter COT.
KVAR		see subfields	<i>Key variable area</i> This field consists of subfields BILLING_OPTION and KEYLIST.
	BILLING_OPTION	AMAorNOA MA	<i>Billing option</i> Enter AMA if an automatic message accounting (AMA) record is generated. Otherwise, enter NOAMA.
	KEYLIST	1 to 69	<i>Key list</i> Enter the list of keys (maximum of 24) of DN appearances to which feature COT is assigned. Separate each key number with a space. Enter \$ as the only entry if the feature is associated with all DN appearances on the set. If less than 24 keys are assigned, end the list with a \$.

Datafill example

An example of datafill for assigning feature COT to DN appearances on keys 5, 6, and 7 of the set is shown as follows.

The LEN of the set is 00 0 02 04 at the host switching unit. An AMA record is generated for the feature.

KSETFEAT feature COT (end)**MAP display example for table KSETFEAT feature COT**

	FATKEY	FEATURE	KVAR
HOST 00 0 02 04 1	COT	COT AMA (5) (6) (7) (8)\$	

The following example displays the COT feature on a specific key. The len is 00 0 03 05 of the host switching unit. The specific key is 5 and the DN appearances on key 2 and key 3 also displays the COT feature. There is no AMA record for the COT feature in this example.

MAP display example for table KSETFEAT feature COT

	FATKEY	FEATURE	KVAR
HOST 00 0 02 04 5	COT	COT NOAMA (2) (3)	\$

KSETFEAT feature CPR

Datapath Call Path Restoration

For a description of feature CPR, refer to KSETFEAT.

Feature CPR contains a directory number (DN) datafilled in table KSETFEAT exactly like the AUL (Automatic Line) feature. Either feature CPR or AUL can be datafilled against the data unit line, but not both.

Datafill

The following table lists the datafill for table KSETFEAT feature CPR.

Field descriptions (Sheet 1 of 2)

Field	Subfield or refinement	Entry	Explanation and action
FEATKEY		see subfields	<i>KSET feature key</i> This field consists of subfields LEN, KEY, and FEAT.
	LEN	see subfields	<i>Line equipment number</i> This field defines the physical location of the equipment that is connected to a specific telephone line. Because field LEN is common to more than 60 tables, it is documented in a single section to avoid unnecessary duplication. Refer to section "Common entry field LEN" for a complete description of field LEN and associated subfields. For ISDN lines, field LEN consists of subfield LTID. For non-ISDN lines, field LEN consists of subfields SITE, FRAME, UNIT, DRAWER or LSG, SHELF, SLOT, and CIRCUIT.
	KEY	1	<i>Physical key</i> Enter 1 for the primary DN (PDN).
	FEAT	CPR	<i>Feature</i> Enter CPR for the Datapath Call Path Restoration feature.
FEATURE		CPR	<i>Feature</i> Enter CPR.

KSETFEAT feature CPR (end)**Field descriptions (Sheet 2 of 2)**

Field	Subfield or refinement	Entry	Explanation and action
KVAR		see subfield	<i>Key variable area</i> This field consists of subfield DN.
	DN	numeric (1 to 15 digits)	<i>Directory number</i> Enter the DN for the datapath dialed automatically when it originates or reconnects when the path is disconnected.

Datafill example

An example of datafill is shown below for feature CPR assigned to key 1 of a set with the LEN of 00 0 02 04 at the host switching unit.

The DN that is automatically dialed when it originates or reconnects is 2737396.

MAP display example for table KSETFEAT feature CPR

	FEATKEY	FEATURE	KVAR
HOST	00 0 02 04 1	CPR	CPR 2737396

KSETFEAT feature CPU

Call Pickup

For a description of feature CPU, refer to KSETFEAT.

A key can be assigned to this feature if desired.

For each line with feature CPU, the following information is required:

- for a remote line, the site name of the remote location
- line equipment number (LEN) of the set to which the line with the feature is assigned
- lowest LEN assigned to the group of stations forming a CPU group

Datafill

The following table lists the datafill for table KSETFEAT feature CPU.

Field descriptions (Sheet 1 of 3)

Field	Subfield or refinement	Entry	Explanation and action
FEATKEY		see subfields	<i>KSET feature key</i> This field consists of subfields LEN, KEY, and FEAT.
	LEN	see subfields	<i>Line equipment number</i> This field defines the physical location of the equipment that is connected to a specific telephone line. Because field LEN is common to more than 60 tables, it is documented in a single section to avoid unnecessary duplication. Refer to section "Common entry field LEN" for a complete description of field LEN and associated subfields. For ISDN lines, field LEN consists of subfield LTID. For non-ISDN lines, field LEN consists of subfields SITE, FRAME, UNIT, DRAWER or LSG, SHELF, SLOT, and CIRCUIT.

KSETFEAT feature CPU (continued)

Field descriptions (Sheet 2 of 3)

Field	Subfield or refinement	Entry	Explanation and action
FEATURE	KEY	1 to 69	<p><i>Physical key</i> Enter the number associated with the physical key to which the feature is being assigned. For code access features, the physical key is key 1, the primary directory number (PDN) key.</p> <p>For M3000 digital telephones, only key 7 can be assigned. For M2317 digital telephones, only key 13 can be assigned.</p>
	FEAT	CPU	<p><i>Feature</i> Enter CPU for the Call Pickup feature.</p>
		CPU	<p><i>Feature</i> Enter CPU. The auxiliary data feature GRP (group) displays under this field if group number feature control is activated. The GRP data feature is used to store the CPU group number information in a tuple linked to the display of information about a specific line equipment number (LEN).</p>
KVAR		see subfields	<p><i>Key variable area</i> This field consists of subfields LINKLEN and KEYLIST.</p>

KSETFEAT feature CPU (continued)

Field descriptions (Sheet 3 of 3)

Field	Subfield or refinement	Entry	Explanation and action
	LINKLEN	see subfields	<p><i>Link line equipment number</i></p> <p>This field defines the physical location of the equipment that is connected to a specific telephone line.</p> <p>Because field LEN is common to more than 60 tables, it is documented in a single section to avoid unnecessary duplication. Refer to section "Common entry field LEN" for a complete description of field LEN and associated subfields.</p> <p>For ISDN lines, field LEN consists of subfield LTID. For non-ISDN lines, field LEN consists of subfields SITE, FRAME, UNIT, DRAWER or LSG, SHELF, SLOT, and CIRCUIT.</p>
	KEYLIST	1 to 69	<p><i>Key list</i></p> <p>Enter the list of keys (maximum of 24) associated with DN appearances to which this feature is being assigned. Separate each key number with a space.</p> <p>Enter \$ as the only entry if the feature is associated with all DN appearances on the set.</p> <p>If less than 24 keys are assigned, end the list with a \$.</p>

Datafill example

An example of datafill for feature CPU assigned to key 1 as code access to a set with the LEN 00 0 02 04 at the host switching unit is shown below.

Three DN appearances on keys 3, 4, and 5 on the set form a call pickup group with two other stations with LENs of 00 0 09 12 and 00 0 02 04, respectively.

The lowest LEN is 00 0 02 04. This LEN is specified in the data for the three stations.

KSETFEAT feature CPU (end)

MAP display example for table KSETFEAT feature CPU

	FEATKEY	FEATURE		KVAR
HOST	00 0 02 04 1	CPU	CPU	HOST 00 0 09 12 (3) (4) (5)\$

KSETFEAT feature CRBL

Call Reference Busy Limit

The Call Reference Busy Limit (CRBL) feature allows the subscriber to limit the number of active calls on a call type basis. Use the CRBL option for National ISDN-2 (NI-2) sets instead of the NUMC or Additional Functional Calls (AFC) options, which are disallowed for NI-2 sets. CRBL allows a greater number of keys to be used than option NUMC.

Use this option to identify circuit-mode call types (VI and CMD) for the DN. A CRBL value of n, 0 identifies a VI call type. A CRBL value of 0, n identifies a CMD call type (where n > 0).

Datafill

The following table lists the datafill for table KSETFEAT feature CRBL.

Field descriptions (Sheet 1 of 2)

Field	Subfield or refinement	Entry	Explanation and action
FEATKEY		see subfields	<i>KSET feature key</i> This field consists of subfields LEN, KEY, and FEAT.
LEN		see subfields	<i>Line equipment number</i> This field defines the physical location of the equipment that is connected to a specific telephone line. For ISDN lines, field LEN consists of subfield LTID.
	KEY	1 to 69	<i>Physical key</i> Enter the number associated with the physical key to which you assign CRBL.
	FEAT	CRBL	<i>Feature</i> Enter CRBL for the Call Reference Busy Limit feature.
FEATURE		CRBL	<i>Feature</i> Enter CRBL for the Call Reference Busy Limit feature.
Note: The default CRBL is 1 for each call type.			

KSETFEAT feature CRBL (end)

Field descriptions (Sheet 2 of 2)

Field	Subfield or refinement	Entry	Explanation and action
KVAR		see subfields	<i>Key variable area</i> This field consists of subfields VI and CMD.
	VI	0 to 16	<i>Voiceband Information</i> Enter the maximum number of active calls that an NI-2 DN can have at any one time for a VI call type.
	CMD	0 to 16	<i>Circuit Mode Data</i> Enter the maximum number of calls that an NI-2 DN can have at any one time for a CMD call type.
Note: The default CRBL is 1 for each call type.			

Datafill example

The following example shows sample datafill for table KSETFEAT feature CRBL

MAP display example for table KSETFEAT feature CRBL

.....FEATKEY	FEATURE	KVAR
ISDN	2 6 CRBL	2 2

KSETFEAT feature CSMI

Call Screening, Monitoring, and Intercept

CSMI allows end users of Network Based Answering Services (NBAS) to monitor and intercept calls being handled by the NBAS. Call monitoring allows the end user to listen to a message as it is being left in his or her voice mailbox in the NBAS. Call interception allows the end user to connect to the call to speak directly to the caller.

Datafill

The following table lists the datafill for table KSETFEAT feature CSMI.

Field descriptions (Sheet 1 of 3)

Field	Subfield or refinement	Entry	Explanation and action
FEATKEY		see subfields	<i>KSET feature key</i> This field consists of subfields LEN, KEY, and FEAT.
	LEN	see subfields	<i>Line equipment number</i> This field defines the physical location of the equipment that is connected to a specific telephone line. Because field LEN is common to more than 60 tables, it is documented in a single section to avoid unnecessary duplication. Refer to section "Common entry field LEN" for a complete description of field LEN and associated subfields. For ISDN lines, field LEN consists of subfield LTID. For non-ISDN lines, field LEN consists of subfields SITE, FRAME, UNIT, DRAWER or LSG, SHELF, SLOT, and CIRCUIT.
	KEY	1	<i>Physical key</i> Enter 1 for the primary DN (PDN).
	FEAT	CSMI	<i>Feature</i> Enter CSMI for the Call Screening, Monitoring, and Intercept feature.
FEATURE		CSMI	<i>Feature</i> Enter CSMI.
CSMISTATE		A, I	

KSETFEAT feature CSMI (continued)

Field descriptions (Sheet 2 of 3)

Field	Subfield or refinement	Entry	Explanation and action
	CSMIPPU	Y or N	<p><i>CSMI PPU</i></p> <p>This field determines the billing scheme that should be used. When set to N, CSMI is billed on a monthly flat rate basis. When set to Y, CSMI is billed on a usage-sensitive basis and each time CSMI is accessed, a LAMA billing record is generated.</p> <p>Note: Centrex end users cannot be billed on a usage-sensitive basis; thus the default value of CSMIPPU is N.</p>
	CONN3W	Y or N	<p><i>Connect 3-way call</i></p> <p>This field determines how the interception is to occur. When set to N, the interception establishes a two-way call between the two parties and the NBS. When set to Y, the interception establishes a three-way call between the two parties and the NBAS. The default value of CONN3W is N.</p>
	SCRACTIVE	Y or N	<p><i>Screening time active</i></p> <p>When the screening time active field is set to Y, the duration of the screening timer is determined by the value in field SCR DUR. If set to N, the duration of the screening timer is determined by office parameter CSMI_SCREENING_TIMER for SCSMI users and Centrex users, and by office parameter CSMI_PPU_SCREENING_TIMER for UCSMI and CSMIPPU users. The default value of SCRACTIVE is N.</p>
	SCRDUR	0 to 120	<p><i>Screening timer duration</i></p> <p>This prompt asks for the desired length (in seconds) of the screening period (that is, the duration when the CSMI end user can begin to monitor the call once a ring splash is received.) Monitoring ceases after the timer expires. (Entering a value of 0 second indicates that the screening period lasts as long as the forwarded call.)</p> <p>Note: This field is prompted only if the SCRACTIVE field is set to Y. The default value is 20.</p>

KSETFEAT feature CSMI (end)

Field descriptions (Sheet 3 of 3)

Field	Subfield or refinement	Entry	Explanation and action
	DENYCSMI OPT	DENYALL, DENYCFDA, DENYCFBL, DENYCFW	<p><i>DENY CSMI option</i></p> <p>This prompt prevents option CSMI from being activated on calls forwarded by the following Call Forwarding types:</p> <ul style="list-style-type: none"> • All Call Forwarding types (DENYALL) • Call Forwarding Do Not Answer (DENYCFDA) • Call Forwarding Busy Line (DENYCFBL) • Call Forwarding (DENYCFW)
	KEYLIST	1 to 69	<p><i>Key list</i> This field indicates on which DN key the CSMI option applies, Since CSMI only applies on the primary DN of a set, a KEYLIST value different than 1 is ignored.</p>

Datafill example

An example of datafill is shown below for feature CSMI assigned to key 6, in which the CSMI option does not support the CFBL type of call forwarding.

MAP display example for table KSETFEAT feature CSMI

FEATKEY	FEATURE	KVAR
HOST 00 0 03 04 6	CSMI CSMI	A Y Y Y 30 (DENYCFBL) \$

KSETFEAT feature CTD

Carrier Toll Denied

For a description of feature CTD, refer to KSETFEAT.

The carrier name must be previously datafilled in field CARRIER in table OCCNAME.

Datafill

The following table lists the datafill for table KSETFEAT feature CTD.

Field descriptions (Sheet 1 of 2)

Field	Subfield or refinement	Entry	Explanation and action
FEATKEY		see subfields	<i>KSET feature key</i> This field consists of subfields LEN, KEY, and FEAT.
	LEN	see subfields	<i>Line equipment number</i> This field defines the physical location of the equipment that is connected to a specific telephone line. Because field LEN is common to more than 60 tables, it is documented in a single section to avoid unnecessary duplication. Refer to section "Common entry field LEN" for a complete description of field LEN and associated subfields. For ISDN lines, field LEN consists of subfield LTID. For non-ISDN lines, field LEN consists of subfields SITE, FRAME, UNIT, DRAWER or LSG, SHELF, SLOT, and CIRCUIT.
	KEY	1 to 69	<i>Physical key</i> Enter the number associated with the directory number (DN) appearance to which the feature is being assigned. For M3000 digital telephones, only keys 1 to 6 can be assigned. For M2317 digital telephones, only keys 1 to 11 can be assigned.
	FEAT	CTD	<i>Feature</i> Enter CTD for the Carrier Toll Denied feature.
FEATURE		CTD	<i>Feature</i> Enter CTD.

KSETFEAT feature CTD (end)

Field descriptions (Sheet 2 of 2)

Field	Subfield or refinement	Entry	Explanation and action
KVAR		see subfield	<i>Key variable area</i> This field consists of subfield CARRIERS.
	CARRIERS	alphanumeric (1 to 16 characters)	<i>Carriers</i> Enter the carrier names entered in field CARRIER in table OCCNAME to which the subscriber is toll denied. A maximum of 21 carrier names can be entered. If fewer than 21 are entered, end the list with \$. If less than 21 carriers are assigned, end the list with a \$.

Datafill example

An example of datafill for a DN appearance with feature CTD is shown below.

The LEN of the set is 00 0 02 04 at the host switch and the key assigned to the DN appearance requiring feature CTD is 5. Feature CTD is applied to the ATT carrier.

MAP display example for table KSETFEAT feature CTD

	FATKEY	FEATURE	KVAR
HOST 00 0 02 04 5	CTD	CTD	(ATT)\$

KSETFEAT feature CUG

Closed User Group

For a description of feature CUG, refer to KSETFEAT.

This feature is only valid to data units (DU) and is not compatible with NRS Inbound feature. This feature cannot be assigned to the asynchronous interface module (AIM) line card (NT6X76), or the data above voice (DAV) line card (NT6X87 or 6X88).

CUGs with identifications greater than 4001 (4001 to 4095) are called master CUGs. They are for restricted use only and require ENGWRITE ON when datafilling. Master CUGs allow access to all other data units (DU) disregarding their CUG value.

Datafill

The following table lists the datafill for table KSETFEAT feature CUG.

Field descriptions (Sheet 1 of 2)

Field	Subfield or refinement	Entry	Explanation and action
FEATKEY		see subfields	<i>KSET feature key</i> This field consists of subfields LEN, KEY, and FEAT.
	LEN	see subfields	<i>Line equipment number</i> This field defines the physical location of the equipment that is connected to a specific telephone line. Because field LEN is common to more than 60 tables, it is documented in a single section to avoid unnecessary duplication. Refer to section "Common entry field LEN" for a complete description of field LEN and associated subfields. For ISDN lines, field LEN consists of subfield LTID. For non-ISDN lines, field LEN consists of subfields SITE, FRAME, UNIT, DRAWER or LSG, SHELF, SLOT, and CIRCUIT.
	KEY	1	<i>Physical key</i> Enter 1. Feature CUG is always assigned to key 1.
	FEAT	CUG	<i>Feature</i> Enter CUG for the Closed User Group feature.

KSETFEAT feature CUG (end)

Field descriptions (Sheet 2 of 2)

Field	Subfield or refinement	Entry	Explanation and action
FEATURE		CUG	<i>Feature</i> Enter CUG.
KVAR		see subfields	<i>Key variable area</i> This field consists of subfields CUGID and OUTGOING.
	CUGID	1 to 4095	<i>Closed user group identity</i> Enter the CUG number defined in table CSDDSCUG that the data unit (DU) belongs to. The range for this table is 1 to 1023. Values 4001 to 4095 are master CUG values for restricted use only. They require ENGWRITE ON when datafilling.
	OUTGOING	Y or N	<i>Outgoing</i> Enter Y (yes) if the DU can access lines that are non-CUG members. Otherwise, enter N (no).

Datafill example

An example of datafill for a DN with feature CUG is shown below.

The CUG feature is always assigned to key 1 of set with LEN 00 0 02 04 at the host switching unit. The CUG number is 1023 and it cannot access lines that are non-CUG members.

MAP display example for table KSETFEAT feature CUG

FHEATKEY	FEATURE	KVAR
HOST 00 0 02 04 1	CUG	CUG 1023 N

KSETFEAT feature CWD

Dial Call Waiting

Dial Call Waiting (CWD) allows the calling party to impose call waiting on a called station by dialing a feature activation code followed by the extension number of the called party.

Datafill

The following table lists the datafill for table KSETFEAT feature CWD.

Field descriptions

Field	Subfield or refinement	Entry	Explanation and action
FEATKEY		see subfields	<i>KSET feature key</i> This field consists of subfields LEN, KEY, and FEAT.
	LEN	see subfields	<i>Line equipment number</i> This field defines the physical location of the equipment that is connected to a specific telephone line. Because field LEN is common to more than 60 tables, it is documented in a single section to avoid unnecessary duplication. Refer to section "Common entry field LEN" for a complete description of field LEN and associated subfields. For ISDN lines, field LEN consists of subfield LTID. For non-ISDN lines, field LEN consists of subfields SITE, FRAME, UNIT, DRAWER or LSG, SHELF, SLOT, and CIRCUIT.
	KEY	1 to 69	<i>Physical key</i> Enter the key number for feature CWD.
	FEAT	CWD	<i>Feature</i> Enter CWD for the Dial Call Waiting feature.
FEATURE		CWD	<i>Feature</i> Enter CWD.

Datafill example

The following example shows sample datafill for table KSETFEAT feature CWD.

KSETFEAT feature CWD (end)

MAP display example for table KSETFEAT feature CWD

		FATKEY	FEATURE	KVAR

HOST	30 0 07 16 9	CWD	CWD	

KSETFEAT feature CWT

Call Waiting

For a description of feature CWT, refer to KSETFEAT.

Datafill

The following table lists the datafill for table KSETFEAT feature CWT.

Field descriptions (Sheet 1 of 2)

Field	Subfield or refinement	Entry	Explanation and action
FEATKEY		see subfields	<i>KSET feature key</i> This field consists of subfields LEN, KEY, and FEAT.
	LEN	see subfields	<i>Line equipment number</i> This field defines the physical location of the equipment that is connected to a specific telephone line. Because field LEN is common to more than 60 tables, it is documented in a single section to avoid unnecessary duplication. Refer to section "Common entry field LEN" for a complete description of field LEN and associated subfields. For ISDN lines, field LEN consists of subfield LTID. For non-ISDN lines, field LEN consists of subfields SITE, FRAME, UNIT, DRAWER or LSG, SHELF, SLOT, and CIRCUIT.
	KEY	1 to 69	<i>Physical key</i> Enter the number associated with the physical key to which the feature is being assigned. For M3000 digital telephones, only key 12 can be assigned. For M2317 digital telephones, only keys 1 to 11 can be assigned.
	FEAT	CWT	<i>Feature</i> Enter CWT for the Call Waiting feature.
FEATURE		CWT	<i>Feature</i> Enter CWT.
KVAR		see subfields	<i>Key variable area</i> This field consists of subfields CWT, PCWT, and KEYLIST.

KSETFEAT feature CWT (continued)**Field descriptions (Sheet 2 of 2)**

Field	Subfield or refinement	Entry	Explanation and action
	CWT	Y or N	<i>Call Waiting termination</i> Enter Y (yes) to terminate the Call Waiting feature and datafill refinement RING. Otherwise, enter N (no).
	RING	Y or N	<i>Ring tone</i> If the entry in subfield CWT is Y, datafill this refinement. Enter Y if notification tone is applied to the busy directory number (DN) on waiting calls. Otherwise, enter N.
	PCWT	Y or N	<i>Precedence Call Waiting termination</i> This field is reserved for NT use. Enter N to satisfy table requirements.
	KEYLIST	1 to 69	<i>Key list</i> Enter the list of keys (maximum of 24) of DN appearances to which this feature is assigned. Separate each key number with a space. Enter \$ as the only entry if the feature is associated with all DN appearances on the set. If less than 24 keys are assigned, end the list with a \$.

Datafill example

The following example shows sample datafill for table KSETFEAT feature CWT.

FEATURECWT is assigned to key 8 of a set with a LEN of 00 0 02 04 at the host switching unit.

DN appearances on keys 1, 2, and 3 have feature CWT and ring tone is applied when a call is waiting.

KSETFEAT feature CWT (end)

MAP display example for table KSETFEAT feature CWT

	FEATKEY	FEATURE	KVAR
HOST	00 0 02 04 8	CWT	CWT Y Y N (1) (2) (3)\$

KSETFEAT feature CXR

Call Transfer

For a description of feature CXR, refer to KSETFEAT.

The following information is required for each station at which call transfer differs from the call transfer assigned to the customer group in table CUSTSTN:

- if line is remote, the site name of the remote location
- the line equipment number (LEN) to which the line with the feature is assigned
- the call transfer type assigned to the set

This feature must be assigned to a vacant key on the set.

Datafill

The following table lists the datafill for table KSETFEAT feature CXR.

Field descriptions (Sheet 1 of 3)

Field	Subfield or refinement	Entry	Explanation and action
FEATKEY		see subfields	<i>KSET feature key</i> This field consists of subfields LEN, KEY, and FEAT.
	LEN	see subfields	<i>Line equipment number</i> This field defines the physical location of the equipment that is connected to a specific telephone line. Because field LEN is common to more than 60 tables, it is documented in a single section to avoid unnecessary duplication. Refer to section "Common entry field LEN" for a complete description of field LEN and associated subfields. For ISDN lines, field LEN consists of subfield LTID. For non-ISDN lines, field LEN consists of subfields SITE, FRAME, UNIT, DRAWER or LSG, SHELF, SLOT, and CIRCUIT.

KSETFEAT feature CXR (continued)

Field descriptions (Sheet 2 of 3)

Field	Subfield or refinement	Entry	Explanation and action
	KEY	1 to 69	<i>Physical key</i> Enter the number associated with the physical key to which this feature is being assigned. For M3000 digital telephones, only key 13 can be assigned. For M2317 digital telephones, only key 18 can be assigned.
	FEAT	CXR	<i>Feature</i> Enter CXR for the Call Transfer feature.
FEATURE		CXR	<i>Feature</i> Enter CXR.
KVAR		see subfields	<i>Key variable area</i> This field consists of subfields CXFERVAR, CXFERRCL, and METHOD.
	CXFERVAR	see subfield	<i>Variable call transfer</i> This field consists of subfield CXFERTYP.

KSETFEAT feature CXR (continued)

Field descriptions (Sheet 3 of 3)

Field	Subfield or refinement	Entry	Explanation and action
	CXFERTYP	ATTRCLF CTALL CTINC CTINTRA CTOUT CUSTOM or NCT	<p><i>Call transfer type</i></p> <p>Enter the type of call transfer applicable to the customer group.</p> <p>Enter ATTRCLF if all calls are transferred to an attendant and go to subfield CXFERCCL in section "CXFERTYP = all entries".</p> <p>Enter CTALL if all incoming and outgoing calls are transferred. The first and second legs of the call can be intergroup or intragroup. Go to subfield CXFERCCL in section "CXFERTYP = all entries".</p> <p>Enter CTINC if incoming calls are transferred. The first leg of the call must be intergroup and the second leg of the call must be intragroup. Go to subfield CXFERCCL in section "CXFERTYP = all entries".</p> <p>Enter CTINTRA if incoming and outgoing calls are transferred. The first leg of the call can be intergroup or intragroup, but the second leg of the call must be intragroup. Go to subfield CXFERCCL in section "CXFERTYP = all entries".</p> <p>Enter CTOUT if incoming and outgoing calls are transferred. The first leg of the call must be intergroup and the second leg of the call must be intragroup. Go to subfield CXFERCCL in section "CXFERTYP = all entries".</p> <p>Enter CUSTOM if the operating company selects what type the second leg of the call is. Datafill refinements ORGINTER, ORGINTRA, TRMINTER, and TRMINTRA.</p> <p>Enter NCT (incoming calls are transferred to an attendant if the first leg of the call is intergroup). Datafill refinements ORGINTER, ORGINTRA, TRMINTER, and TRMINTRA.</p>

KSETFEAT feature CXR (continued)**CXFERTYP = CUSTOM or NCT**

If the entry in field CXFERTYP is CUSTOM or NCT, datafill refinements ORGINTER, ORGINTRA, TRMINTER, and TRMINTRA as described below.

Field descriptions for conditional datafill

Field	Subfield or refinement	Entry	Explanation and action
	ORGINTER	AC, INTER, INTRA, NOCXFER, or TRATER	<i>Originating intergroup</i> Enter the type of call transfer for originating intergroup calls as follows: <ul style="list-style-type: none"> • AC (terminator on the second leg can be attendant console) • INTER (second leg of the call can be an intergroup call) • INTRA (second leg of the call can be an intragroup call) • TRATER (second leg of the call can be an intergroup or intragroup call)
	ORGINTRA	AC, INTER, INTRA, NOCXFER, or TRATER	<i>Originating intragroup</i> Enter the type of call transfer for originating intragroup calls.
	TRMINTER	AC, INTER, INTRA, NOCXFER, or TRATER	<i>Terminating intergroup</i> Enter the type of call transfer for terminating intergroup calls.
	TRMINTRA	AC, INTER, INTRA, NOCXFER, or TRATER	<i>Terminating intragroup</i> Enter the type of call transfer for terminating intragroup calls.

KSETFEAT feature CXR (continued)

CXFERTYP = all entries

For all entries in subfield CXFERTYP, datafill subfields CXFERRCL and METHOD as described below.

Field description for conditional datafill

Field	Subfield or refinement	Entry	Explanation and action
	CXFERRCL	see subfield	<i>Call transfer recall</i> This field consists of subfield CXRRCL.
	CXRRCL	Y or N	<i>Call transfer recall</i> Enter Y (yes) if call transfer recall is allowed and datafill refinement RCLTIM. Otherwise, enter N (no) and datafill subfield METHOD.
	RCLTIM	12 to 120	<i>Recall timer</i> If the entry in subfield CXRRCL is Y, enter the value of the recall timer.
	METHOD	DIAL, RLS, or STD	<i>Method</i> Enter DIAL to activate call completion with trunk optimization (CCTO). Enter RLS to choose a transfer on release function, that is, once the CXR key is hit a second time, the controller transfers the call and drops out automatically. Enter STD to select the existing CXR transfer feature.

Datafill example

The following example shows sample datafill for table KSETFEAT feature CXR.

The CXR feature is assigned to key 6 of set with LEN 00 0 02 04 at the host switching unit, the line is assigned call transfer type CTALL, and the Call Transfer Recall option is set to yes, with a recall timer of 34 s.

KSETFEAT feature CXR (end)**MAP display example for table KSETFEAT feature CXR**

KVAR	FEATKEY					FEATURE				
HOST	00	0	02	04	6	CXR		CXR		
							CTALL	Y	34	STD

An example of datafill for a line having custom Call Transfer is shown below. The line can only transfer incoming intergroup calls to an intragroup line, and outgoing intragroup calls to an intergroup line.

MAP display example for table KSETFEAT feature CXR

KVAR	FEATKEY					FEATURE				
HOST	00	0	02	04	6	CXR		CXR		
	CUSTOM	NOCXFER				INTER	INTRA	NOCXFER	Y	98 RLS

KSETFEAT feature DASK

Display Agent Status Key

For a description of feature DASK, refer to KSETFEAT.

Datafill

The following table lists the datafill for table KSETFEAT feature DASK.

Field descriptions

Field	Subfield or refinement	Entry	Explanation and action
FEATKEY		see subfields	<i>KSET feature key</i> This field consists of subfields LEN, KEY, and FEAT.
	LEN	see subfields	<i>Line equipment number</i> This field defines the physical location of the equipment that is connected to a specific telephone line. Because field LEN is common to more than 60 tables, it is documented in a single section to avoid unnecessary duplication. Refer to section "Common entry field LEN" for a complete description of field LEN and associated subfields. For ISDN lines, field LEN consists of subfield LTID. For non-ISDN lines, field LEN consists of subfields SITE, FRAME, UNIT, DRAWER or LSG, SHELF, SLOT, and CIRCUIT.
	KEY	1 to 69	<i>Physical key</i> Enter the key number for the DASK feature.
	FEAT	DASK	<i>Feature</i> Enter DASK for the Display Agent Status Key feature.
FEATURE		DASK	<i>Feature</i> Enter DASK.
KVAR		see subfield	<i>Key variable area</i> This field consists of subfield ACDGRP.
	ACDGRP	alphanumeric (1 to 16 characters)	<i>Automatic Call Distribution group</i> Enter the Automatic Call Distribution (ACD) group for which information is displayed. The group must be previously datafilled in table ACDGRP.

KSETFEAT feature DASK (end)**Datafill example**

The following example shows sample datafill for table KSETFEAT feature DASK.

The feature is assigned to DN appearance on key 5 of a set with LEN 00 0 02 04 at the host switching unit. The monitored ACD group is ACDGRP99.

MAP display example for table KSETFEAT feature DASK

	FPEATKEY	FEATURE	KVAR
HOST 00 0 02 04 5	DASK	DASK	ACDGRP99

KSETFEAT feature DBC

Call Reference Busy Limit

For a description of feature DBC, refer to KSETFEAT.

Datafill

The following table lists the datafill for table KSETFEAT feature DBC.

Field descriptions (Sheet 1 of 2)

Field	Subfield or refinement	Entry	Explanation and action
FEATKEY		see subfields	<i>KSET feature key</i> This field consists of subfields LEN, KEY, and FEAT.
LEN		see subfields	<i>Line equipment number</i> This field defines the physical location of the equipment that is connected to a specific telephone line. Because field LEN is common to more than 60 tables, it is documented in a single section to avoid unnecessary duplication. Refer to section "Common entry field LEN" for a complete description of field LEN and associated subfields. For ISDN lines, field LEN consists of subfield LTID. For non-ISDN lines, field LEN consists of subfields SITE, FRAME, UNIT, DRAWER or LSG, SHELF, SLOT, and CIRCUIT.
	KEY	1 to 69	<i>Physical key</i> Enter the number associated with the <i>Physical key</i> to which the feature is being assigned.
	FEAT	DBC	<i>Feature</i> Enter DBC for the feature.
FEATURE		DBC	<i>Feature</i> Enter DBC
Note: The default DBC is DBC_SP.			

KSETFEAT feature DBC (end)

Field descriptions (Sheet 2 of 2)

Field	Subfield or refinement	Entry	Explanation and action
KVAR		see subfield	<i>Key variable area</i> This field consists of subfield bearer capability.
	Bearer Capability	DBC_SP, DBC_3_1K, DBC_56K, or DBC_64K	<i>Bearer Capability</i> Enter the allowable default bearer capability (DBC) for the key position on the terminal.
Note: The default DBC is DBC_SP.			

Datafill example

The following example shows sample datafill for table KSETFEAT feature DBC.

MAP display example for table KSETFEAT feature DBC

.....FEATKEY	FEATURE	KVAR
ISDN	2	1
DBC	DBC	DBC_SP

KSETFEAT feature DCC

Deactivate Conference Facility

Deactivate Conference Facility (DCC) enhances the flexible calling (FC) feature. The assignment of the DCC feature deactivates the conference under the following conditions:

- a member of the conference releases the connection and the conference changes from three members to two members (the controller and one member)
- the drop request changes the conference from three members to the controller and one member
- the controller connects to a conference call over a B-channel and there is only one member on the conference
- the controller retrieves the conference call from hold and two members of the conference remain (the controller and one other member)

The FC feature is assigned to the ISDN set prior to DCC. The DCC feature applies to NI-1 and NI-2 basic rate interface (BRI) terminals with protocol version control (PVC) functional 2.

Datafill

The following table lists the datafill for table KSETFEAT Feature Deactivate Conference Facility (DCC).

Field descriptions

Field	Subfield or refinement	Entry	Explanation and action
FEATKEY		see subfields	KSET feature key This field consists of subfields LEN, KEY, and FEAT.
	LEN	see subfields	Line equipment number This field defines the physical location of the equipment. The equipment connects to a particular line. The field LEN is common to more than 60 tables. Refer to section "Common entry field LEN" for a complete description of field LEN. The field LEN consists of subfield LTID for ISDN lines.

KSETFEAT feature DCC (end)**Field descriptions**

Field	Subfield or refinement	Entry	Explanation and action
	KEY	1	Enter the number to associate the physical key with the feature. The assignment of DCC is on key 1.
	FEAT	DCC	Feature Enter DCC for Deactivate Conference Facility feature.
FEATURE		DCC	Feature Enter DCC.

Datafill example

The following example shows sample datafill for table KSETFEAT Feature Deactivate Conference Facility (DCC).

The DCC feature is assigned to key 1. The set logical terminal identifier (LTID) is ISDN 1.

MAP display example for table KSETFEAT Feature Deactivate Conference Facility (DCC)

	FEATKEY	FEATURE	KVAR
ISDN	1	DCC	DCC

KSETFEAT feature DCPK

Directed Call Park

For a description of feature DCPK, refer to KSETFEAT.

Datafill

The following table lists the datafill for table KSETFEAT feature DCPK.

Field descriptions

Field	Subfield or refinement	Entry	Explanation and action
FEATKEY		see subfields	<i>KSET feature key</i> This field consists of subfields LEN, KEY, and FEAT.
	LEN	see subfields	<i>Line equipment number</i> This field defines the physical location of the equipment that is connected to a specific telephone line. Because field LEN is common to more than 60 tables, it is documented in a single section to avoid unnecessary duplication. Refer to section "Common entry field LEN" for a complete description of field LEN and associated subfields. For ISDN lines, field LEN consists of subfield LTID. For non-ISDN lines, field LEN consists of subfields SITE, FRAME, UNIT, DRAWER or LSG, SHELF, SLOT, and CIRCUIT.
	KEY	1 to 69	<i>Physical key</i> Enter the number of the key to which feature DCPK is being assigned. If this feature is assigned as an access code, enter 1, that is, the primary directory number (PDN) key. For M2317 digital telephones, only keys 1 to 11 can be assigned.
	FEAT	DCPK	<i>Feature</i> Enter DCPK for the Directed Call Park feature.
FEATURE		DCPK	<i>Feature</i> Enter DCPK.

KSETFEAT feature DCPK (end)

Datafill example

The following example shows sample datafill for table KSETFEAT feature DCPK.

The DCPK feature is assigned to key 5 of set with LEN 00 0 02 04 at the host switching unit.

MAP display example for table KSETFEAT feature DCPK

	FATKEY	FEATURE	KVAR
HOST	00 0 02 04 5	DCPK	DCPK

KSETFEAT feature DIN

Denied Incoming

For a description of feature DIN, refer to KSETFEAT.

The following information is required for each line with the Denied Incoming feature:

- if set is remote, the site name of the remote location
- the line equipment number (LEN) of the set to which the DN appearance the feature is assigned

List the terminating restriction codes that are allowed to terminate to the line. All incoming trunk groups that are assigned one of the terminating restriction codes assigned to the line are allowed to terminate to the line. The number of restriction codes is eight, and the range is 0 to 7.

All POTS lines and trunks are automatically assigned terminating restriction code 0 (zero).

List the alternate terminating restriction codes that are allowed to terminate to the line. The alternate terminating restriction codes specify that incoming trunk groups are allowed to terminate to the line when call is routed by the attendant.

The following are examples of entering data for terminating and alternate terminating restriction codes.

- 2 and 5 25
- 3, 6, and 7 367
- 4 4
- ALL 01234567
- NONE \$

Subfield DINOPT provides feature AF1935 (Transfer Call to Restricted Station) (DINE), which allows unrestricted stations to transfer incoming calls from outside the customer group to restricted stations within the customer group.

KSETFEAT feature DIN (continued)**Datafill**

The following table lists the datafill for table KSETFEAT feature DIN.

Field descriptions (Sheet 1 of 2)

Field	Subfield or refinement	Entry	Explanation and action
FEATKEY		see subfields	<i>KSET feature key</i> This field consists of subfields LEN, KEY, and FEAT.
	LEN	see subfields	<i>Line equipment number</i> This field defines the physical location of the equipment that is connected to a specific telephone line. Because field LEN is common to more than 60 tables, it is documented in a single section to avoid unnecessary duplication. Refer to section "Common entry field LEN" for a complete description of field LEN and associated subfields. For ISDN lines, field LEN consists of subfield LTID. For non-ISDN lines, field LEN consists of subfields SITE, FRAME, UNIT, DRAWER or LSG, SHELF, SLOT, and CIRCUIT.
	KEY	1 to 69	<i>Physical key</i> Enter the number associated with the directory number (DN) appearance to which the feature is being assigned. For M3000 digital telephones, only keys 1 to 6 can be assigned. For M2317 digital telephones, only keys 1 to 11 can be assigned.
	FEAT	DIN	<i>Feature</i> Enter DIN for the Denied Incoming feature.
FEATURE		DIN	<i>Feature</i> Enter DIN.
KVAR		see subfields	<i>Key variable area</i> This field consists of subfields TRC and ALTRC.

KSETFEAT feature DIN (end)

Field descriptions (Sheet 2 of 2)

Field	Subfield or refinement	Entry	Explanation and action
	TRC	numeric (0 to 7)	<i>Terminating restriction codes</i> Enter the terminating restriction codes that are assigned to the line. A maximum of eight codes can be assigned. If more than one code is needed, separate each code with a single space. If less than eight codes are needed, end the list with a \$ (dollar sign).
	ALTTRC	numeric (0 to 7)	<i>Alternate terminating restriction codes</i> Enter the alternate terminating restriction codes that are assigned to the lines. A maximum of eight codes can be assigned. If less than eight codes are required, end the list with a \$ (dollar sign).
DINOPT		DINE or N	<i>Denied incoming options</i> Enter DINE to enable a transferred call within the same customer group to terminate to the DN. Otherwise, enter N. The default value for this field is N.

Datafill example

The following example shows sample datafill for table KSETFEAT feature DIN.

The feature is assigned to DN appearance on key 5 of a set with LEN 00 0 02 04 at the host switching unit. Incoming trunk groups with a terminating restriction code of 1, 3, or 5 terminate to the line and no incoming trunk groups terminate to the line when the call is routed by the attendant.

MAP display example for table KSETFEAT feature DIN

	FEATKEY	FEATURE	KVAR
HOST 00 0 02 04 5	DIN	DIN	135 0 N

KSETFEAT feature DMCT

Deny Malicious Call Termination

For a description of feature DMCT, refer to KSETFEAT.

Datafill

The following table lists the datafill for table KSETFEAT feature DMCT.

Field descriptions

Field	Subfield or refinement	Entry	Explanation and action
FEATKEY		see subfields	<i>KSET feature key</i> This field consists of subfields LEN, KEY, and FEAT.
	LEN	see subfields	<i>Line equipment number</i> This field defines the physical location of the equipment that is connected to a specific telephone line. Because field LEN is common to more than 60 tables, it is documented in a single section to avoid unnecessary duplication. Refer to section "Common entry field LEN" for a complete description of field LEN and associated subfields. For ISDN lines, field LEN consists of subfield LTID. For non-ISDN lines, field LEN consists of subfields SITE, FRAME, UNIT, DRAWER or LSG, SHELF, SLOT, and CIRCUIT.
	KEY	1 to 69	<i>Physical key</i> Enter the number associated with the directory number (DN) appearance to which the feature is being assigned.
	FEAT	DMCT	<i>Feature</i> Enter DMCT for the Deny Malicious Call Termination (DMCT).
FEATURE		DMCT	<i>Feature</i> Enter DMCT.

Datafill example

The following example shows sample datafill for table KSETFEAT feature DMCT.

KSETFEAT feature DMCT (end)

MAP display example for table KSETFEAT feature DMCT

	FATKEY	FEATURE	KVAR
HOST 00 0 02 04 5	DMCT	DMCT	

KSETFEAT feature DND

Do Not Disturb

For a description of feature DND, refer to KSETFEAT.

This feature only applies if option DND is assigned in table CUSTSTN. The DND option in table CUSTSTN defines how many groups can be assigned. The maximum is 64. The schedules for the DND groups are defined in table DNDSCHED. Incoming call identification code 13 must be assigned in tables FNMAP and ICIDATA for the DND feature.

Feature DND is a directory number (DN) feature and is assigned to keys of DN appearances that require this feature. The following information is required for each DN with the Do Not Disturb feature:

- if set is remote, the site name of the remote location
- the line equipment number (LEN) of the set to which the feature is assigned
- the DND group number to which the DN appearance is assigned

Datafill

The following table lists the datafill for table KSETFEAT feature DND.

Field descriptions (Sheet 1 of 2)

Field	Subfield or refinement	Entry	Explanation and action
FEATKEY		see subfields	<i>KSET feature key</i> This field consists of subfields LEN, KEY, and FEAT.
	LEN	see subfields	<i>Line equipment number</i> This field defines the physical location of the equipment that is connected to a specific telephone line. Because field LEN is common to more than 60 tables, it is documented in a single section to avoid unnecessary duplication. Refer to section "Common entry field LEN" for a complete description of field LEN and associated subfields. For ISDN lines, field LEN consists of subfield LTID. For non-ISDN lines, field LEN consists of subfields SITE, FRAME, UNIT, DRAWER or LSG, SHELF, SLOT, and CIRCUIT.

KSETFEAT feature DND (end)

Field descriptions (Sheet 2 of 2)

Field	Subfield or refinement	Entry	Explanation and action
	KEY	1 to 69	<i>Physical key</i> Enter the number associated with the directory number (DN) appearance to which the feature is being assigned. For M2317 digital telephones, only keys 1 to 11 can be assigned.
	FEAT	DND	<i>Feature</i> Enter DND for the Do Not Disturb feature.
FEATURE		DND	<i>Feature</i> Enter DND.
KVAR		see subfield	<i>Key variable area</i> This field consists of subfield DNDGRP.
DNDGRP		1 to 63	<i>Do Not Disturb group</i> Enter the DND group number to which the DN appearance is assigned.

Datavfill example

The following example shows sample datavfill for table KSETFEAT feature DND.

The line with the feature is assigned to DN appearance on key 5 of set with LEN 00 0 02 04 at the host switching unit. The DND group number is 1.

MAP display example for table KSETFEAT feature DND

	FEATKEY	FEATURE	KVAR
HOST	00 0 02 04 5	DND	DND 1

KSETFEAT feature DQS

Display Queue Status

For a description of feature DQS, refer to KSETFEAT.

A DQS key can only be assigned to a set having a 32-character alphanumeric display. Before feature DQS can be assigned to a set, the set must have the Supervisor feature (SUPR) assigned to key 1 (table KSETFEAT). Key 1 must also first be assigned as either a primary directory number (PDN) or as an INCALLS key (table KSETLINE).

Datafill

The following table lists the datafill for table KSETFEAT feature DQS.

Field descriptions (Sheet 1 of 2)

Field	Subfield or refinement	Entry	Explanation and action
FEATKEY		see subfields	<i>KSET feature key</i> This field consists of subfields LEN, KEY, and FEAT.
	LEN	see subfields	<i>Line equipment number</i> This field defines the physical location of the equipment that is connected to a specific telephone line. Because field LEN is common to more than 60 tables, it is documented in a single section to avoid unnecessary duplication. Refer to section "Common entry field LEN" for a complete description of field LEN and associated subfields. For ISDN lines, field LEN consists of subfield LTID. For non-ISDN lines, field LEN consists of subfields SITE, FRAME, UNIT, DRAWER or LSG, SHELF, SLOT, and CIRCUIT.
	KEY	2 to 69	<i>Physical key</i> Enter the number associated with the physical key to which the feature is being assigned. Assign a key without a lamp so that keys with lamps are reserved for features that require a lamp.
	FEAT	DQS	<i>Feature</i> Enter DQS for the Display Queue Status feature.
FEATURE		DQS	<i>Feature</i> Enter DQS.

KSETFEAT feature DQS (end)

Field descriptions (Sheet 2 of 2)

Field	Subfield or refinement	Entry	Explanation and action
KVAR		see subfield	<i>Key variable area</i> This field consists of subfield ACDGRP.
	ACDGRP	alphanumeric (1 to 16 characters)	<i>Automatic Call Distribution group</i> Enter the name of the Automatic Call Distribution (ACD) group for which the queue status information is displayed. The group must be previously datafilled in table ACDGRP.

Datafill example

An example of datafill for assigning feature DQS to key 5 of the supervisor's set is shown below.

The LEN of the supervisor's set is 00 0 02 04 at the host switching unit. The ACD group whose queue status information is displayed is called ACDGRP99.

MAP display example for table KSETFEAT feature DQS

	FATKEY	FEATURE	KVAR
HOST 00 0 02 04 5	DQS	DQS	ACDGRP99

KSETFEAT feature DQT

Display Queue Threshold

For a description of feature DQT, refer to KSETFEAT.

A DQT key can only be assigned to a set having a 32-character alphanumeric display. Feature DQT does not require a key with a lamp.

Before the DQT feature can be assigned to a supervisor set, the Supervisor feature (SUPR) must be assigned to key 1. Key 1 must also first be assigned as either a primary directory number (PDN) or as an INCALLS key in table KSETLINE.

Datafill

The following table lists the datafill for table KSETFEAT feature DQT.

Field descriptions (Sheet 1 of 2)

Field	Subfield or refinement	Entry	Explanation and action
FEATKEY		see subfields	<i>KSET feature key</i> This field consists of subfields LEN, KEY, and FEAT.
	LEN	see subfields	<i>Line equipment number</i> This field defines the physical location of the equipment that is connected to a specific telephone line. Because field LEN is common to more than 60 tables, it is documented in a single section to avoid unnecessary duplication. Refer to section "Common entry field LEN" for a complete description of field LEN and associated subfields. For ISDN lines, field LEN consists of subfield LTID. For non-ISDN lines, field LEN consists of subfields SITE, FRAME, UNIT, DRAWER or LSG, SHELF, SLOT, and CIRCUIT.
	KEY	2 to 69	<i>Physical key</i> Enter the number associated with the physical key to which the feature is being assigned. Assign a key without a lamp so that keys with lamps are reserved for features that require a lamp.

KSETFEAT feature DQT (continued)

Field descriptions (Sheet 2 of 2)

Field	Subfield or refinement	Entry	Explanation and action
FEATURE	FEAT	DQT	<i>Feature</i> Enter DQT for the Display Queue Threshold feature.
		DQT	<i>Feature</i> Enter DQT.
KVAR		see subfield	<i>Key variable area</i> This field consists of subfield DIFFGRP.
	DIFFGRP	Y or N	<i>Different group</i> Enter Y (yes) if a different Automatic Call Distribution (ACD) group is used to determine the queue threshold status. If the DQT key is added to a supervisor set, field DIFFGRP must be set to Y. Datafill refinement ACDGRP. Enter N (no) if the INCALLS key of the ACD group is used to determine the queue threshold status. If a set is datafilled as both an agent and supervisor set, field DIFFGRP is set to N. No further datafill is required.
	ACDGRP	alphanumeric (1 to 16 characters)	<i>Automatic Call Distribution group</i> Enter the name of the Automatic Call Distribution (ACD) group for which the queue status information is displayed. The group must be previously datafilled in table ACDGRP.

Datafill example

An example of datafill for assigning feature DQT to key 5 of the agent set is shown below.

The LEN of the supervisor's set is 00 0 02 04 at the host switching unit.

KSETFEAT feature DQT (end)

MAP display example for table KSETFEAT feature DQT

	FPEATKEY	FEATURE	KVAR
HOST 00 0 02 04 5	DQT	DQT	

KSETFEAT feature DRING

Distinctive Ringing

For a description of feature DRING, refer to KSETFEAT.

Feature DRING is only supported on lines that use coded ringing. These are lines that have C (coded 20 Hz), C30 (coded 30 Hz), or CSR (coded special ringing) datafilled as ring type in table LMRNG or table LCMINV.

Datafill

The following table lists the datafill for table KSETFEAT feature DRING.

Field descriptions (Sheet 1 of 4)

Field	Subfield or refinement	Entry	Explanation and action
FEATKEY		see subfields	<i>KSET feature key</i> This field consists of subfields LEN, KEY, and FEAT.
	LEN	see subfields	<i>Line equipment number</i> This field defines the physical location of the equipment that is connected to a specific telephone line. Because field LEN is common to more than 60 tables, it is documented in a single section to avoid unnecessary duplication. Refer to section "Common entry field LEN" for a complete description of field LEN and associated subfields. For ISDN lines, field LEN consists of subfield LTID. For non-ISDN lines, field LEN consists of subfields SITE, FRAME, UNIT, DRAWER or LSG, SHELF, SLOT, and CIRCUIT.
	KEY	2 to 69	<i>Physical key</i> Enter the number associated with the physical key to which the feature is being assigned. Assign a key without a lamp so that keys with lamps are reserved for features that require a lamp.
	FEAT	DRING	<i>Feature</i> Enter DRING for the Distinctive Ringing feature.
FEATURE		DRING	<i>FeatureF</i> Enter DRING.

KSETFEAT feature DRING (continued)

Field descriptions (Sheet 2 of 4)

Field	Subfield or refinement	Entry	Explanation and action
KVAR		see subfields	<i>Key variable area</i> This field consists of subfields INTRNL, EXTRNL, TRKS, GIC, RECALL, UCD, REST, ACD, and MAKECALL.
	INTRNL	Y or N	<i>Internal</i> Enter Y (yes) if intragroup calls from Integrated Business Network (IBN) lines in the same customer group have feature DRING and datafill refinement DRINGTYP. Otherwise, enter N (no) for normal ringing.
	DRINGTYP	1 to 8	<i>Distinctive ringing type</i> If the entry in subfield INTRNL is Y, datafill this refinement. Enter the ringing code applied to the call type.
	EXTRNL	Y or N	<i>External</i> Enter Y if intergroup calls from IBN lines external to the customer group have feature DRING and datafill refinement DRINGTYP. Otherwise, enter N for normal ringing.
	DRINGTYP	1 to 8	<i>Distinctive ringing type</i> If the entry in subfield EXTRNL is Y, datafill this refinement. Enter the ringing code applied to the call type.
	TRKS	ALL, NO, or SEL	<i>Trunks</i> Enter ALL if trunk calls from all trunks owned by the customer group have feature DRING and datafill refinement DRINGTYP. Enter NO if all trunks have normal ringing. Enter SEL if only selected trunks can have feature DRING, that is, trunks that have field TRKDSR equal to Y in table TRKGRP, and datafill refinement DRINGTYP.
	DRINGTYP	1 to 8	<i>Distinctive ringing type</i> If the entry in subfield TRKS is ALL or SEL, datafill this refinement. Enter the ringing code applied to the call type.

KSETFEAT feature DRING (continued)

Field descriptions (Sheet 3 of 4)

Field	Subfield or refinement	Entry	Explanation and action
	GIC	Y or N	<i>Group intercom</i> Enter Y if group intercom (GIC) calls have feature DRING and datafill refinement DRINGTYP. Otherwise, enter N for normal ringing.
	DRINGTYP	1 to 8	<i>Distinctive ringing type</i> If the entry in subfield GIC is Y, datafill this refinement. Enter the ringing code applied to the call type.
	RECALL	Y or N	<i>Recall</i> Enter Y if recall type of calls have feature DRING and datafill refinement DRINGTYP. Otherwise, enter N for normal ringing.
	DRINGTYP	1 to 8	<i>Distinctive ringing type</i> If the entry in subfield <i>Recall</i> is Y, datafill this refinement. Enter the ringing code applied to the call type.
	UCD	Y or N	<i>Uniform Call Distribution</i> Enter Y if inbound Uniform Call Distribution (UCD) calls have feature DRING and datafill refinement DRINGTYP. Otherwise, enter N for normal ringing.
	DRINGTYP	1 to 8	<i>Distinctive ringing type</i> If the entry in subfield UCD is Y, datafill this refinement. Enter the ringing code applied to the call type.
	REST	Y or N	<i>Rest</i> Enter Y if calls from POTS lines, POTS trunks, and IBN trunks not owned by the customer group have feature DRING, and datafill refinement DRINGTYP. Otherwise, enter N for normal ringing.
	DRINGTYP	1 to 8	<i>Distinctive ringing type</i> If the entry in subfield REST is Y, datafill this refinement. Enter the ringing code applied to the call type.

KSETFEAT feature DRING (end)**Field descriptions (Sheet 4 of 4)**

Field	Subfield or refinement	Entry	Explanation and action
	ACD	Y or N	<i>Automatic Call Distribution</i> Enter Y if inbound Automatic Call Distribution (ACD) calls have feature DRING and datafill refinement DRINGTYP. Otherwise, enter N for normal ringing.
	DRINGTYP	1 to 8	<i>Distinctive ringing type</i> If the entry in subfield ACD is Y, datafill this refinement. Enter the ringing code applied to the call type.
	MAKECALL	Y or N	<i>Make call</i> Enter Y if outbound ACD calls have feature DRING and datafill refinement DRINGTYP. Otherwise, enter N for normal ringing.
	DRINGTYP	1 to 8	<i>Distinctive ringing type</i> If the entry in subfield MAKECALL is Y, datafill this refinement. Enter the ringing code applied to the call type.

Datafill example

The following example shows sample datafill for table KSETFEAT feature DRING.

The line with the feature is assigned to LEN 00 0 02 04 at the host switching unit.

Ringing code 2 is applied on all intragroup calls and code 5 is applied on all recall calls.

MAP display example for table KSETFEAT feature DRING

	FEATKEY	FEATURE	KVAR
HOST 00 0 02 04 5	DRING	DRING	(Y 2 N NO N Y 5 N N N)

KSETFEAT feature DROP

Drop

For a description of feature DROP, refer to KSETFEAT.

Datafill

The following table lists the datafill for table KSETFEAT feature DROP.

Field descriptions

Field	Subfield or refinement	Entry	Explanation and action
FEATKEY		see subfields	<i>KSET feature key</i> This field consists of subfields LEN, KEY, and FEAT.
	LEN	see subfields	<i>Line equipment number</i> This field defines the physical location of the equipment that is connected to a specific telephone line. Because field LEN is common to more than 60 tables, it is documented in a single section to avoid unnecessary duplication. Refer to section "Common entry field LEN" for a complete description of field LEN and associated subfields. For ISDN lines, field LEN consists of subfield LTID. For non-ISDN lines, field LEN consists of subfields SITE, FRAME, UNIT, DRAWER or LSG, SHELF, SLOT, and CIRCUIT.
	KEY	1 to 69	<i>Physical key</i> Enter the number associated with the physical key to which feature DROP is assigned.
	FEAT	DROP	<i>Feature</i> Enter DROP for the Drop feature.
FEATURE		DROP	<i>Feature</i> Enter DROP.

Datafill example

The following example shows sample datafill for table KSETFEAT feature DROP.

Feature DROP is assigned to key 7 of a set with the logical terminal identifier (LTID) of ISDN 1.

KSETFEAT feature DROP (end)

MAP display example for table KSETFEAT feature DROP

			FEATKEY	FEATURE	KVAR
ISDN	1	7	DROP	DROP	

KSETFEAT feature EBO

Executive Busy Override

For a description of feature EBO, refer to KSETFEAT.

Feature EBO is a set feature but it can also be assigned as a code access feature. This feature does not require the association of a lamp with the key if feature EBO is assigned to a key.

Datafill

The following table lists the datafill for table KSETFEAT feature EBO.

Field descriptions (Sheet 1 of 2)

Field	Subfield or refinement	Entry	Explanation and action
FEATKEY		see subfields	<i>KSET feature key</i> This field consists of subfields LEN, KEY, and FEAT.
	LEN	see subfields	<i>Line equipment number</i> This field defines the physical location of the equipment that is connected to a specific telephone line. Because field LEN is common to more than 60 tables, it is documented in a single section to avoid unnecessary duplication. Refer to section "Common entry field LEN" for a complete description of field LEN and associated subfields. For ISDN lines, field LEN consists of subfield LTID. For non-ISDN lines, field LEN consists of subfields SITE, FRAME, UNIT, DRAWER or LSG, SHELF, SLOT, and CIRCUIT.
	KEY	1 to 69	<i>Physical key</i> Enter the number associated with the physical key to which the feature is being assigned. For code access features, the feature is assigned to key 1, which is the primary directory number (PDN) key. For M3000 digital telephones, only key 18 can be assigned. For M2317 digital telephones, only keys 1 to 11 can be assigned.

KSETFEAT feature EBO (end)**Field descriptions (Sheet 2 of 2)**

Field	Subfield or refinement	Entry	Explanation and action
	FEAT	EBO	<i>Feature</i> Enter EBO for the Executive Busy Override feature.
FEATURE		EBO	<i>Feature</i> Enter EBO.

Datafill example

An example of datafill for feature EBO assigned to key 9 (no lamp) is shown below.

The LEN of the set is 00 0 02 04 at the host switching unit.

MAP display example for table KSETFEAT feature EBO

	FEATKEY	FEATURE	KVAR
HOST 00 0 02 04 9	EBO	EBO	

KSETFEAT feature ECM

Extended Call Management

Feature ECM allows Residential Enhanced Services (RES) or MDC lines to subscribe to individual CompuCALL features on a per-line basis. All MDC or RES lines with the feature ECM can be associated to a host computer, provided the host computer and the line belong to the same customer group and the line is not associated with another host computer at that time.

The ECM feature is incompatible with the following:

- Multiple Appearance Directory Number (MADN)
- Uniform Call Distribution (UCD)
- Automatic Call Distribution (ACD)
- Single-Line Queuing (SLQ)
- data units

See "CompuCALL" in the translations section of this document for information about table data flow.

Datafill

The following table lists the datafill for table KSETFEAT feature ECM.

See "CompuCALL" in the translations section of this document for more information about the datafill required to activate the ECM feature in table IBNFEAT.

Field descriptions

Field	Subfield or refinement	Entry	Explanation and action
FEATURE		ECM	Key_Set_Feature set. Enter ECM.
KVAR		see subfield	Key variable refinements. This field consists of subfield ECM.
	ECM	see refinements	Extended Call Management. This subfield consists of refinements CALL_EVENTS, MAKECALL, CONF_XFER, MSG_WAIT, SCAICC, CHKLOPT, and NETICM.

KSETFEAT feature ECM (continued)

Field descriptions

Field	Subfield or refinement	Entry	Explanation and action
	CALL_EVENTS	Y or N	Call events. This option enables a line to be associated to a CompuCALL host session so call events can be reported. The host session must have either the CTXEVENT or RESEVENT service enabled in table SCAIPROF depending on whether the datafilled line is an MDC or RES line. Enter Y to select the call events option. Otherwise, enter N.
	MAKECALL	Y or N	Make call. This option enables a line to originate calls from this line through a CompuCALL host session. The host session must have the call initiation service enabled by field CALLINIT in table SCAIPROF. Enter Y to select the make call option. Otherwise, enter N.
	CONF_XFER	Y or N	Conference calling. This option enables a line to request three-way calling services (add party, conference party, transfer party, and drop party) through a CompuCALL host session. The host session must have the three-way calling service enabled by field SCAI3WC in table SCAIPROF. Enter Y to select the conference option. Otherwise, enter N.

KSETFEAT feature ECM (continued)**Field descriptions**

Field	Subfield or refinement	Entry	Explanation and action
	MSG_WAIT	Y or N	<p>Message waiting. This option enables a line to receive message waiting notification of activation and deactivation of message waiting (MWT) and executive message waiting (EMW) features through a CompuCALL host session. The host session must have the message waiting service enabled by field SCAIMWT in table SCAIPROF.</p> <p>If the MSG_WAIT suboption of ECM is selected Y and the line does not have MWT or EMW assigned, a warning appears on the display. The host session cannot activate MSG_WAIT without the MWT or EMW assigned.</p> <p>You can continue by adding the MWT and EMW options. The host CompuCALL computer can then associate the line to receive the MWT and EMW trigger event message, dv-Message-Waiting. Enter Y to select the message waiting option. Otherwise, enter N.</p>
	SCAICC	Y or N	<p>SCAI call control. This option enables the host computer to request an answer, hold, unhold, or release of an incoming call to a Centrex or residential line through SCAI signaling. The host must be subscribed to the SCAI service through table SCAISSRV.</p> <p>Enter Y to select the SCAI call control option. Otherwise, enter N.</p>

KSETFEAT feature ECM (continued)

Field descriptions

Field	Subfield or refinement	Entry	Explanation and action
	CHKLOPT	Y or N	<p>Check line option. This option verifies that the host computer is allowed to receive the caller's name and number after validation of the line or feature group options.</p> <p>If set to N, the name and number is sent to the host computer without validation of any line or feature group options.</p> <p>(The CompuCALL Enhancements for Web-based Call Manager feature, AR2255, introduces this option in NA008.)</p>
	NETICM	Y or N	<p>The user selects Y to turn on the Network Intelligent Call Management (NICM) functionality for the source and target lines. The NICM functionality passes the NICM information to the target switch. The target line receives CompuCALL messages containing NICM information, if it is supplied by the source switch.</p>
	SCAIREDIR	Y or N	<p>Enter Y to present further refinement of MSGTO (Message Timeout)</p>
	MSGTO	1 to 60 seconds	

Datafill example

The following examples shows sample datafill for table KSETFEAT feature ECM.

MAP display example for table KSETFEAT feature ECM

	FATKEY	FEATURE	KVAR
HOST	06 1 05 30 1	ECM	ECM Y Y Y Y Y Y Y

KSETFEAT feature ECM (end)

MAP display example for table KSETFEAT feature ECM

	FATKEY	FEATURE	KVAR
HOST	00 0 19 16 1	ECM	ECM Y Y Y Y Y Y Y Y60

**Feature history
SN07 (DMS)**

Added a sub-option named SCAIREDIR to the ECM option for feature activity A00003923.

KSETFEAT feature EMK

Emergency Key

For a description of feature EMK, refer to KSETFEAT.

The EMK feature can only be assigned to an Automatic Call Distribution (ACD) agent set since an ACD supervisor set must have the Supervisor feature (SUPR) assigned to key 1, and the EMK feature is also assigned to key 1.

Datafill

The following table lists the datafill for table KSETFEAT feature EMK.

Field descriptions (Sheet 1 of 2)

Field	Subfield or refinement	Entry	Explanation and action
FEATKEY		see subfields	<i>KSET feature key</i> This field consists of subfields LEN, KEY, and FEAT.
	LEN	see subfields	<i>Line equipment number</i> This field defines the physical location of the equipment that is connected to a specific telephone line. Because field LEN is common to more than 60 tables, it is documented in a single section to avoid unnecessary duplication. Refer to section "Common entry field LEN" for a complete description of field LEN and associated subfields. For ISDN lines, field LEN consists of subfield LTID. For non-ISDN lines, field LEN consists of subfields SITE, FRAME, UNIT, DRAWER or LSG, SHELF, SLOT, and CIRCUIT.
	KEY	1 to 69	<i>Physical key</i> Enter the key number for the EMK feature.
	FEAT	EMK	<i>Feature</i> Enter EMK for the Emergency Key feature.
FEATURE		EMK	<i>Feature</i> Enter EMK.
KVAR		see subfield	<i>Key variable area</i> This field consists of subfield DIFFINC.

KSETFEAT feature EMK (end)**Field descriptions (Sheet 2 of 2)**

Field	Subfield or refinement	Entry	Explanation and action
	DIFFINC	Y or N	<p><i>Different incalls</i> Enter Y (yes) to indicate that the Automatic Call Distribution group and ACD subgroup information is different from the current ACD INCALLS. Datafill refinements ACDGRP and ACDSGRP.</p> <p>Enter N (no) to indicate that the ACD group and ACD subgroup of the INCALLS key is used to find the EMK. No further datafill is required for this feature.</p>
	ACDGRP	alphanumeric (1 to 16 characters)	<p><i>Automatic Call Distribution group</i> If the entry in field DIFFINC is Y, datafill this refinement. Enter the ACD group datafilled in table ACDGRP that is associated with the ACD group for the Answer EMK (AEMK) key.</p>
	ACDSGRP	1 to 255	<p><i>Automatic Call Distribution subgroup</i> If the entry in field DIFFINC is Y, datafill this refinement. Enter the ACD subgroup within the ACD group that is associated with the ACD subgroup specified for the AEMK key.</p>

Datafill example

An example of datafill for feature EMK assigned to key 1 is shown below.

The LEN of the set is 00 0 02 04 at the host switching unit.

MAP display example for table KSETFEAT feature EMK

	FEATKEY	FEATURE	KVAR
HOST 00 0 02 04 1	EMK	EMK	N

KSETFEAT feature EMW

Executive Message Waiting

For a description of feature EMW, refer to KSETFEAT.

Datafill

The following table lists the datafill for table KSETFEAT feature EMW.

Field descriptions (Sheet 1 of 2)

Field	Subfield or refinement	Entry	Explanation and action
FEATKEY		see subfields	<i>KSET feature key</i> This field consists of subfields LEN, KEY, and FEAT.
	LEN	see subfields	<i>Line equipment number</i> This field defines the physical location of the equipment that is connected to a specific telephone line. Because field LEN is common to more than 60 tables, it is documented in a single section to avoid unnecessary duplication. Refer to section "Common entry field LEN" for a complete description of field LEN and associated subfields. For ISDN lines, field LEN consists of subfield LTID. For non-ISDN lines, field LEN consists of subfields SITE, FRAME, UNIT, DRAWER or LSG, SHELF, SLOT, and CIRCUIT.
	KEY	1 to 69	<i>Physical key</i> Enter the number associated with the physical key to which the feature is being assigned. For code access features, the feature is assigned to key 1, which is the primary directory number (PDN) key. For M3000 digital telephones, only key 18 can be assigned. For M2317 digital telephones, only keys 1 to 11 can be assigned.
	FEAT	EMW	<i>Feature</i> Enter EMW for the Executive Message Waiting feature.
FEATURE		EMW	<i>Feature</i> Enter EMW.

KSETFEAT feature EMW (continued)

Field descriptions (Sheet 2 of 2)

Field	Subfield or refinement	Entry	Explanation and action
KVAR		see subfields	<i>Key variable area</i> This field consists of subfields MAILBOX and CALLMEM.
	MAILBOX	see subfields	<i>Mailbox</i> This subfield consists of subfields MCOS and DNLIST. End the list with a \$ (dollar sign).
	MCOS	CLASSA to CLASSP	<i>Mailbox class of service</i> Enter the mailbox class of service (MCOS) assigned to the key/lamp pair. Only one MCOS for each key is allowed.
	DNLIST	1 to 69	<i>Directory number list</i> This is a vector of DN keys that subscribe to this MCOS. Separate each entry with a space and enter \$ to terminate the vector. Only one key is allowed.
	CALLMEM	see subfield	<i>Call memory</i> This subfield consists of subfield AUTOCM.
	AUTOCM	Y or N	<i>Automatic call memory</i> Enter Y (yes) for automatic call memory and datafill refinements BUSY, NOANSWER, and CALLFWD. Otherwise, enter N (no). No further datafill is required for this feature.
	BUSY	Y or N	<i>Busy</i> If the entry in field AUTOCM is Y, datafill this refinement. Enter Y to receive messages if the line is busy. Otherwise, enter N.
	NOANSWER	Y or N	<i>No answer</i> If the entry in field AUTOCM is Y, datafill this refinement. Enter Y to receive messages if no one answers the call. Otherwise, enter N.
	CALLFWD	Y or N	<i>Call forward</i> If the entry in field AUTOCM is Y, datafill this refinement. Enter Y to receive messages if the line is call forwarded. Otherwise, enter N.

KSETFEAT feature EMW (end)

Datafill example

The following example shows sample datafill for table KSETFEAT feature EMW.

Feature EMW is assigned to key 6 with MCOS of CLASSA. A DN of key 3 subscribes to this mailbox.

The LEN of the set is 00 0 02 04 at the host switching unit.

MAP display example for table KSETFEAT feature EMW

	FEATKEY	FEATURE	KVAR
HOST	00 0 02 04 6	EMW (CLASSA (3)\$)\$	N

KSETFEAT feature FAA

Forced Agent Availability

For a description of feature FAA, refer to KSETFEAT.

Automatic Call Distribution (ACD) groups datafilled with the FAA feature must be previously datafilled in table ACDGRP.

Datafill

The following table lists the datafill for table KSETFEAT feature FAA.

Field descriptions (Sheet 1 of 2)

Field	Subfield or refinement	Entry	Explanation and action
FEATKEY		see subfields	<i>KSET feature key</i> This field consists of subfields LEN, KEY, and FEAT.
	LEN	see subfields	<i>Line equipment number</i> This field defines the physical location of the equipment that is connected to a specific telephone line. Because field LEN is common to more than 60 tables, it is documented in a single section to avoid unnecessary duplication. Refer to section "Common entry field LEN" for a complete description of field LEN and associated subfields. For ISDN lines, field LEN consists of subfield LTID. For non-ISDN lines, field LEN consists of subfields SITE, FRAME, UNIT, DRAWER or LSG, SHELF, SLOT, and CIRCUIT.
	KEY	2 to 69	<i>Physical key</i> Enter the number associated with the physical key to which the feature is being assigned. Feature FAA can be assigned only to a key that has a lamp.
	FEAT	FAA	<i>Feature</i> Enter FAA for the Forced Agent Availability feature.
FEATURE		FAA	<i>Feature</i> Enter FAA.
KVAR		see subfield	<i>Key variable area</i> This field consists of subfield EXTNDFAA.

KSETFEAT feature FAA (end)

Field descriptions (Sheet 2 of 2)

Field	Subfield or refinement	Entry	Explanation and action
	EXTNDFAA	Y or N	<p><i>Extended forced agent availability</i> Enter Y (yes) to indicate that the specified key has extended FAA capabilities. No further datafill is required for this feature.</p> <p>Enter N (no) to indicate that FAA capabilities are valid only for agents in the Automatic Call Distribution (ACD) group specified in field ACDGRP. Datafill refinement ACDGRP.</p>
	ACDGRP	alphanumeric (1 to 16 characters)	<p><i>Automatic Call Distribution group</i> If the entry in subfield EXTNDFAA is N, datafill this refinement. Enter the ACD group to which the FAA key applies.</p>

Datafill example

There is no example for feature FAA.

KSETFEAT feature FC

Flexible Calling

For a description of feature FC, refer to KSETFEAT.

Datafill

The following table lists the datafill for table KSETFEAT feature FC.

Field descriptions

Field	Subfield or refinement	Entry	Explanation and action
FEATKEY		see subfields	<i>KSET feature key</i> This field consists of subfields LEN, KEY, and FEAT.
	LEN	see subfields	<i>Line equipment number</i> This field defines the physical location of the equipment that is connected to a specific telephone line. Because field LEN is common to more than 60 tables, it is documented in a single section to avoid unnecessary duplication. Refer to section "Common entry field LEN" for a complete description of field LEN and associated subfields. For ISDN lines, field LEN consists of subfield LTID. For non-ISDN lines, field LEN consists of subfields SITE, FRAME, UNIT, DRAWER or LSG, SHELF, SLOT, and CIRCUIT.
	KEY	1 to 69	<i>Physical key</i> Enter the number associated with the physical key to which this feature is being assigned.
	FEAT	FC	<i>Feature</i> Enter FC for Flexible Calling feature.
FEATURE		FC	<i>Feature</i> Enter FC.
CONFSIZE		3 to 30	<i>Conference size</i> Enter the maximum number of conference members allowed in the call. Only one entry is allowed.

KSETFEAT feature FC (end)

Datafill example

The following example shows sample datafill for table KSETFEAT feature FC.

The FC feature is assigned to key 8 of set with logical terminal identifier (LTID) of ISDN 1.

MAP display example for table KSETFEAT feature FC

		FATKEY		FEATURE		KVAR
ISDN	1	8	FC	FC	3	

KSETFEAT feature FCTDINT

Full Carrier Toll Deny for International Carriers (FCTDINT)

The new line option FCTDINT applies to Key Set (KSET). FCTDINT is added to KSET lines indirectly using SERVORD, which updates table KSETFEAT.

FCTDINT applies to international call types 011+CC+NN and 10XXX/101XXXX+CC+NN, where

XXX/XXXX=carrier identification code
CC=country code digits
NN=national number digits

When FCTDINT is present, subscriber access regarding these international call types is either

- denied to all international carriers if no carriers are specified with the option
- allowed to specific international carriers (up to 21) if carriers are entered with the option

Datavfill

The following table lists the datavfill for table KSETFEAT feature FCTDINT.

Field descriptions

Field	Subfield	Entry	Explanation and action
FEATKEY		FCTDINT	Feature Key.
	FEATURE	FCTDINT	Feature. This field specifies the feature specified to the line. The specified feature is KSETFEAT.
	KVAR	CARRIER	
Note: This information must be entered in SERVORD.			

Datavfill example

The following example shows sample datavfill for table KSETFEAT feature FCTDINT.

KSETFEAT feature FCTDINT (end)

MAP display example for table KSETFEAT feature FCTDINT

FATKEY	FEATURE	KVAR
RCU0	00 0 00 06 1 FCTDINT	FCTDINT (CARRIER1)\$

KSETFEAT feature FXR

Fast Transfer

For a description of feature FXR, refer to table KSETFEAT.

The type of fast transfer available, by default, is the one defined in table CUSTSTN. If the Call Transfer feature (CXR) is datafilled on the same business set as feature FXR, the restrictions that apply to feature CXR also apply to feature FXR and override those defined in table CUSTSTN.

Datafill

The following table lists the datafill for table KSETFEAT feature FXR.

Field descriptions (Sheet 1 of 2)

Field	Subfield or refinement	Entry	Explanation and action
FEATKEY		see subfields	KSET feature key. This field consists of subfields LEN, KEY, and FEAT.
	LEN	see subfields	Line equipment number. This field defines the physical location of the equipment that is connected to a specific telephone line. Because field LEN is common to more than 60 tables, it is documented in a single section to avoid unnecessary duplication. Refer to section "Common entry field LEN" for a complete description of field LEN and associated subfields. For ISDN lines, field LEN consists of subfield LTID. For non-ISDN lines, field LEN consists of subfields SITE, FRAME, UNIT, DRAWER or LSG, SHELF, SLOT, and CIRCUIT.
	KEY	1 to 69	Physical key. Enter the number associated with the physical key to which feature FXR is assigned.
	FEAT	FXR	Feature. Enter FXR for the Fast Transfer feature.
FEATURE		FXR	Feature. Enter FXR.
KVAR		see subfield	Key variable area. This field consists of subfield FXRRCL.

KSETFEAT feature FXR (end)

Field descriptions (Sheet 2 of 2)

Field	Subfield or refinement	Entry	Explanation and action
	FXRRCL	Y or N	Fast transfer recall. Enter Y (yes) to allow the user to select the length of time (in seconds) before recall occurs and datafill refinement TIMER. Enter N (no) to indicate no call back to the caller. No further datafill is required for this feature.
	TIMER	12 to 120	Timer. If the entry in subfield FXRRCL is Y, datafill this refinement. Enter the time (in seconds) before recall occurs.

Datafill example

The following example shows sample datafill for table KSETFEAT feature FXR.

MAP display example for table KSETFEAT feature FXR

```

>KSETFEAT
FEATKEY          FEATURE          KVAR
-----
HOST 0 0 16 4 5  FXR  FXR          Y  45
HOST 0 0 16 3 4  FXR  FXR          Y  50
HOST 0 0 16 56   FXR  FXR          N
    
```

KSETFEAT feature GIAC

Group Intercom All Call

For a description of feature GIAC, refer to KSETFEAT.

The group intercom (GIC) key must be previously datafilled in table KSETLINE before the GIAC feature can be assigned to a key.

Feature GIAC is a key feature that is not valid for data units (DU). It only applies to business sets and must be assigned to an existing GIC key on the Meridian business set (MBS).

Datafill

The following table lists the datafill for table KSETFEAT feature GIAC.

Field descriptions (Sheet 1 of 2)

Field	Subfield or refinement	Entry	Explanation and action
FEATKEY		see subfields	<i>KSET feature key</i> This field consists of subfields LEN, KEY, and FEAT.
	LEN	see subfields	<i>Line equipment number</i> This field defines the physical location of the equipment that is connected to a specific telephone line. Because field LEN is common to more than 60 tables, it is documented in a single section to avoid unnecessary duplication. Refer to section "Common entry field LEN" for a complete description of field LEN and associated subfields. For ISDN lines, field LEN consists of subfield LTID. For non-ISDN lines, field LEN consists of subfields SITE, FRAME, UNIT, DRAWER or LSG, SHELF, SLOT, and CIRCUIT.
	KEY	1 to 69	<i>Physical key</i> Enter the number associated with the physical key to which the feature is being assigned. For M2317 digital telephones, only keys 1 to 11 can be assigned.
	FEAT	GIAC	<i>Feature</i> Enter GIAC for the Group Intercom All Call feature.

KSETFEAT feature GIAC (end)

Field descriptions (Sheet 2 of 2)

Field	Subfield or refinement	Entry	Explanation and action
FEATURE		GIAC	<i>Feature</i> Enter GIAC.
KVAR		see subfields	<i>Key variable area</i> This field consists of subfields GIAC_NO and ORIG.
	GIAC_NO	0 to 4095	<i>Group intercom all call number</i> Enter the number of the GIAC group to which the GIC member belongs. Group members are assigned arbitrarily by the operating company. If a GIAC number is assigned a GIAC group number that was previously unassigned, a notice is displayed, indicating that a new group has been added.
	ORIG	Y or N	<i>Originate</i> Enter Y (yes) if the station is allowed to initiate feature GIAC. Otherwise, enter N (no).

Datafill example

The following example shows sample datafill for table KSETFEAT feature GIAC.

The feature is assigned to key 8 with LEN 00 0 02 04 at the host switching unit.

The assigned GIAC number is 7.

MAP display example for table KSETFEAT feature GIAC

	FATKEY	FEATURE	KVAR
HOST 00 0 02 04 8	GIAC	GIAC	7 Y

KSETFEAT feature HF, HFMUTE, MUTE, SOFTKEY

Hands-free Control

For a description of the Hands-free Control features, refer to KSETFEAT.

Datfill

The following table lists the datfill for table KSETFEAT feature HF, HFMUTE, MUTE, SOFTKEY.

Field descriptions

Field	Subfield or refinement	Entry	Explanation and action
FEATKEY		see subfields	<i>KSET feature key</i> This field consists of subfields LEN, KEY, and FEAT.
	LEN	see subfields	<i>Line equipment number</i> This field defines the physical location of the equipment that is connected to a specific telephone line. Because field LEN is common to more than 60 tables, it is documented in a single section to avoid unnecessary duplication. Refer to section "Common entry field LEN" for a complete description of field LEN and associated subfields. For ISDN lines, field LEN consists of subfield LTID. For non-ISDN lines, field LEN consists of subfields SITE, FRAME, UNIT, DRAWER or LSG, SHELF, SLOT, and CIRCUIT.
	KEY	1 to 69	<i>Physical key</i> Enter the number associated with the feature.
	FEAT	HF, HFMUTE, MUTE, or SOFTKEY	<i>Feature</i> Enter HF for the hands-free feature, HFMUTE for Hands-free Mute, MUTE for Mute, or SOFTKEY for Softkeys.
FEATURE		HF, HFMUTE, MUTE, or SOFTKEY	<i>Feature</i> Enter HF for the hands-free feature, HFMUTE for Hands-free Mute, MUTE for Mute, or SOFTKEY for Softkeys.

Datfill example

There is no example for the Hands-free Control features.

KSETFEAT feature ICM

Intercom

For a description of feature ICM, refer to KSETFEAT.

A key must be assigned with this feature and it can be specified whether the key can originate ICM calls. The line equipment number (LEN) and ICM key of the terminator is required for this feature.

This is a key feature and is not valid for data units (DU).

Datafill

The following table lists the datafill for table KSETFEAT feature ICM.

Field descriptions (Sheet 1 of 2)

Field	Subfield or refinement	Entry	Explanation and action
FEATKEY		see subfields	<i>KSET feature key</i> This field consists of subfields LEN, KEY, and FEAT.
	LEN	see subfields	<i>Line equipment number</i> This field defines the physical location of the equipment that is connected to a specific telephone line. Because field LEN is common to more than 60 tables, it is documented in a single section to avoid unnecessary duplication. Refer to section "Common entry field LEN" for a complete description of field LEN and associated subfields. For ISDN lines, field LEN consists of subfield LTID. For non-ISDN lines, field LEN consists of subfields SITE, FRAME, UNIT, DRAWER or LSG, SHELF, SLOT, and CIRCUIT.
	KEY	1 to 69	<i>Physical key</i> Enter the number associated with the physical key to which the feature is being assigned. For M2317 digital telephones, only keys 1 to 11 can be assigned.
	FEAT	ICM	<i>Feature</i> Enter ICM for the Intercom feature.

KSETFEAT feature ICM (continued)**Field descriptions (Sheet 2 of 2)**

Field	Subfield or refinement	Entry	Explanation and action
FEATURE		ICM	<i>Feature</i> Enter ICM.
KVAR		see subfields	<i>Key variable area</i> This field consists of subfields LINKLEN, KEY, DOR, and SMDR.
	LINKLEN	see subfields	<i>Link line equipment number</i> Because field LEN is common to more than 60 tables, it is documented in a single section to avoid unnecessary duplication. Refer to section "Common entry field LEN" for a complete description of field LEN and associated subfields. For ISDN lines, field LEN consists of subfield LTID. For non-ISDN lines, field LEN consists of subfields SITE, FRAME, UNIT, DRAWER or LSG, SHELF, SLOT, and CIRCUIT.
	KEY	1 to 69	<i>Physical key</i> Enter the ICM key number of the terminator. For M2317 digital telephones, only keys 1 to 11 can be assigned.
	DOR	Y or N	<i>Denied origination</i> Enter Y (yes) if this member is denied origination. Otherwise, enter N (no).
	SMDR	Y or N	<i>Station Message Detail Recording</i> Enter Y to produce a Station Message Detail Recording (SMDR) report. Otherwise, enter N.

Datafill example

The following example shows sample datafill for table KSETFEAT feature ICM.

The feature is assigned to key 8 of a set with LEN 00 0 02 04 at the host switching unit. This member is denied origination, that is, it can only answer ICM calls.

The terminator ICM is key 5 and its LEN is 00 0 04 02.

KSETFEAT feature ICM (end)

MAP display example for table KSETFEAT feature ICM

	FEATKEY	FEATURE	KVAR
HOST 00 0 02 04 8	ICM	ICM HOST 00 0 04 02 5 Y Y	

KSETFEAT feature INSPECT

Inspect

For a description of feature INSPECT, refer to KSETFEAT.

This is a key feature and is not valid for data units (DU). This feature can only be assigned to a key with a lamp.

Datafill

The following table lists the datafill for table KSETFEAT feature INSPECT.

Field descriptions

Field	Subfield or refinement	Entry	Explanation and action
FEATKEY		see subfields	<i>KSET feature key</i> This field consists of subfields LEN, KEY, and FEAT.
	LEN	see subfields	<i>Line equipment number</i> This field defines the physical location of the equipment that is connected to a specific telephone line. Because field LEN is common to more than 60 tables, it is documented in a single section to avoid unnecessary duplication. Refer to section "Common entry field LEN" for a complete description of field LEN and associated subfields. For ISDN lines, field LEN consists of subfield LTID. For non-ISDN lines, field LEN consists of subfields SITE, FRAME, UNIT, DRAWER or LSG, SHELF, SLOT, and CIRCUIT.
	KEY	1 to 69	<i>Physical key</i> Enter the number associated with the physical key to which the feature is being assigned. For M2317 digital telephones, only keys 1 to 11 can be assigned.
	FEAT	INSPECT	<i>Feature</i> Enter INSPECT for the Inspect feature.
FEATURE		INSPECT	<i>Feature</i> Enter INSPECT.

KSETFEAT feature INSPECT (end)

Datavfill example

The following example shows sample datavfill for table KSETFEAT feature INSPECT.

The feature is assigned to key 8 of a set with LEN 00 0 02 04 at the host switching unit.

MAP display example for table KSETFEAT feature INSPECT

	FEATKEY	FEATURE	KVAR
HOST	00 0 02 04 8	INSPECT	INSPECT

KSETFEAT feature INTPIC

International Primary Carrier (INTPIC)

The International Primary Carrier (International PIC) feature allows Equal Access End Office (EAEO) subscribers to presubscribe to an international call carrier, independent of the selected interLATA call carrier.

To add the International PIC feature to RES lines in table KSETFEAT, use the Service Order System (SERVORD) to add option INTPIC to table KSETFEAT. All additions, deletions and changes to table KSETFEAT must be entered using the Service Order System (SERVORD). For information, refer to the *SERVORD Reference Manual*.



CAUTION

Servord required

All additions, deletions, and changes must be entered using the Service Order System. For information, see the *SERVORD Reference Manual*.

If the subscriber makes an international call and no carrier is specified using INTPIC, the the call defaults to the INTPIC assigned to the Network Class of Service (NCOS) preliminary translator in table IBNXLA.

Datafill

The following table lists the datafill for table KSETFEAT feature INTPIC.

Field descriptions

Field	Subfield or refinement	Entry	Explanation and action
FEAT		INTPIC	Feature. Enter INTPIC for the International Primary Carrier feature.
FEATURE		INTPIC	Feature. Enter INTPIC for the International Primary Carrier feature.
	CARRIER	alphanumeric (up to 16 characters)	Carrier name. Enter the selected international carrier. Table OCCNAME contains a list of valid carrier names.
	CHOICE	Y or N	Choice. Enter Y or N to allow or disallow the choice for Carrier Access Code (CAC) dialing.
KVAR			

KSETFEAT feature INTPIC (end)

Datafill example

The following example shows sample datafill for table KSETFEAT feature INTPIC.

MAP display example for table KSETFEAT feature INTPIC

FATKEY	FEATURE	KVAR
HOST 06 1 10 22 1	INTPIC	INTPIC CXYZ Y

KSETFEAT feature IPCLIENT

IPCLIENT

The IPCLIENT feature distinguishes between IPCM-hosted phones and actual M5216 phones by creating a line option for the M5216.

Datafill

The following table lists the datafill for table KSETFEAT feature IPCLIENT.

Field descriptions

Field	Subfield or refinement	Entry	Explanation and action
FEATURE	I2001	IPCLIENT	Set feature with primary set type refinement which could be one of the following: <ul style="list-style-type: none"> • I2001 • I2002 • I2004 • SOFTCLIENT • OTHER
	I2002		
	I2004		
	SOFTCLIENT		
	OTHER		

Datafill example

The following example shows a sample datafill for table KSETFEAT feature IPCLIENT.

MAP display example for table KSETFEAT feature IPCLIENT

```
TABLE: KSETFEAT
>lis
TOP
FEATKEY FEATURE KVAR
-----
IPCM 00 0 00 00 1 IPCLIENT IPCLIENT SOFTCLIENT$
```

Table history

ISN07 (TDM)

IPCLIENT is a new feature that is introduced by activity A00003653.

KSETFEAT feature IPCLIENT (continued)

KSETFEAT feature ISA

In-Session Activation

In-Session Activation (ISA) provides operating companies with the capability to offer call completion services, such as Automatic Call Back (ACB), Message Delivery Service (MDS), and Universal Voice Messaging (UVM), to end users who encounter a busy or ring/no answer (RNA) condition.

In-Session Activation enables end users to access a call completion service without having to first hang up and then dial an access code.

Datafill

The following table lists the datafill for table KSETFEAT feature ISA.

Field descriptions (Sheet 1 of 2)

Field	Subfield or refinement	Entry	Explanation and action
	BSYLOCAL	1 through 16 alphanumeric characters, or NILMENU	<i>Busy loca</i> I. This field specifies the menu identifier that corresponds to the announcement to be played when a busy condition is encountered for a local call. When NILMENU is entered, ISA is not invoked.
	BSYTOLL	1 through 16 alphanumeric characters, or NILMENU	<i>Busy toll</i> This field specifies the menu identifier that corresponds to the announcement to be played when a busy condition is encountered for a toll call. When NILMENU is entered, ISA is not invoked.
	RNALocal	1 through 16 alphanumeric characters, or NILMENU	<i>Ring/no answer local</i> This field specifies the menu identifier that corresponds to the announcement to be played when an RNA condition is encountered for a local call. When NILMENU is entered, ISA is not invoked.

KSETFEAT feature ISA (end)

Field descriptions (Sheet 2 of 2)

Field	Subfield or refinement	Entry	Explanation and action
	RNATOLL	1 through 16 alphanumeric characters, or NILMENU	<p><i>Ring/no answer local</i></p> <p>This field specifies the menu identifier that corresponds to the announcement to be played when an RNA condition is encountered for a toll call. When NILMENU is entered, ISA is not invoked.</p>
	RNATIMER	12 through 72	<p><i>Ring/no answer timer</i></p> <p>This field specifies the number of seconds before the ISA announcement is started when an RNA condition is encountered.</p> <p>Note: This field only appears when the value in either RNALOCAL or RNATOLL is other than NILMENU.</p>

Datafill example

The following example shows sample datafill for table KSETFEAT feature ISA.

MAP display example for table KSETFEAT feature ISA

FEATKEY	FEATURE	KVAR
HOST 00 0 00 07 1	ISA ISA MENU1 MENU2 MENU3 NILMENU	12

KSETFEAT feature KSH

Key Short Hunt

For a description of feature KSH, refer to KSETFEAT.

This is a subset feature and must be assigned to the primary directory number (PDN) (key 1). Either all directory numbers (DN) of the business set or a subset of DNs can be specified in the hunt list. If a subset is required, then a maximum of 24 members can be included in the list in subfield KEYLIST.

Note: KSH will bypass a directory number (DN) that has packet mode data (PMD) feature assigned in KSETLINE. KSH will only forward calls to a key assigned to voice call type.

Datafill

The following table lists the datafill for table KSETFEAT feature KSH.

Field descriptions (Sheet 1 of 3)

Field	Subfield	Entry	Explanation and action
FEATKEY		see subfields	<i>KSET feature key</i> This field consists of subfields LEN, KEY, and FEAT.
	LEN	see subfields	<i>Line equipment number</i> Physical location of equipment that is connected to a specific telephone line. Because field LEN is common to more than 60 tables, it is documented in a single section to avoid unnecessary duplication. Refer to section "Common entry field LEN" for a complete description of field LEN and associated subfields. For ISDN lines, field LEN consists of subfield LTID. For non-ISDN lines, field LEN consists of subfields SITE, FRAME, UNIT, DRAWER or LSG, SHELF, SLOT, and CIRCUIT.

KSETFEAT feature KSH (continued)

Field descriptions (Sheet 2 of 3)

Field	Subfield	Entry	Explanation and action
	KEY	1	<i>Physical key</i> Enter 1. Feature KSH can only be assigned to key 1. Note: If adding KSH to ISDN basic rate access functional sets (BRAFS) terminals, only single functional call (SFC) directory numbers (DN) can be included in the keylist. Any additional functional call (AFC) members can be included in the hunt group by including the SFC member for that DN in the hunt group keylist.
	FEAT	KSH	<i>Feature</i> Enter KSH for the Key Short Hunt feature.
FEATURE		KSH	<i>Feature</i> Enter KSH.
KVAR		see subfields	<i>Key variable area</i> This field consists of subfields OVERFLOW and KEYLIST.
	OVERFLOW	see subfield	<i>Overflow</i> This field consists of subfield OVTYPE.
	OVRTYPE	D, N, or R	<i>Overflow type</i> If the hunt group is arranged to overflow to a DN, enter D and datafill subfield OVDN. If the hunt group is not arranged to overflow to a DN or route, enter N. Go to subfield KEYLIST. If the hunt group is arranged to overflow to a route, enter R and datafill subfield OVRTE.
	OVDN	numeric (1 to 30 digits)	<i>Overflow directory number</i> If the entry in subfield OVTYPE is D, datafill this subfield. Enter the number to which calls are routed when all members of the short hunt group are busy. Go to subfield KEYLIST.
	OVRTE	see subfields	<i>Overflow route</i> If the entry in subfield OVTYPE is R, datafill this subfield. This field consists of subfields TABID and KEY.

KSETFEAT feature KSH (continued)**Field descriptions (Sheet 3 of 3)**

Field	Subfield	Entry	Explanation and action
	TABID	AOSS AOSSAMA IBNRTE IBNRT2 IBNRT3 IBNRT4 OFRT OFR2 OFR3 OFR4 TOPS TOPSAMA or TTL4	<i>Table identity</i> Enter the table name to which calls are routed when all members of the short hunt group are busy.
	KEY	0 to 1023 or alphanumeric	<i>Key</i> Enter the index (route reference number) within the route table to which calls are routed when all members of the short hunt group are busy. If the entry in subfield TABID is TOPS or TOPSAMA, enter the call origination type.
	KEYLIST	1 to 69	<i>Key list</i> Enter the list of keys (maximum of 24) of DN appearances to which feature KSH is assigned. Separate each key number with a space. Enter \$ as the only entry if the feature is associated with all DN appearances on the set. Note: Except with terminals with call type PMD bypass any key with PMD assigned. If less than 24 keys are assigned, end the list with a \$.

Datafill example

Examples of datafill for a business set assigned with feature KSH are shown below.

In the first example, the LEN of the set is 00 0 02 04 at the host switching unit and it must be assigned to key 1. Overflow goes to a route reference 8 in table IBNRTE. All DN appearances on the set are in the short hunt group.

KSETFEAT feature KSH (end)

In the second example, the LEN of the set is 00 0 02 04 at the host switching unit and it must be assigned to key 1. When all members are busy, overflow goes to DN 45143571234567. All DN appearances on the set are in the short hunt group.

MAP display example for table KSETFEAT feature KSH

	FEATKEY	FEATURE	KVAR
HOST	00 0 02 04 1	KSH KSH	R IBNRTE 8
HOST	00 0 02 04 1	KSH KSH	D 45143571234567

KSETFEAT feature LMOH

Line Music on Hold

Feature LMOH provides an audio source for a line different from the customer group audio source for specific line features. The audio source for the line features is applied after assignment of LMOH to a line.

Feature LMOH operates with the line features that follow:

- Permanent Hold (PHD)
- Call Hold (CHD)
- Keyset Music on Hold (KSMOH)
- Meridian Business Set Camp-On (MBSCAMP)
- Flex Call (FLEXCALL)
- Call Park (PRK)

Datafill

The table that follows lists the datafill for table KSETFEAT feature LMOH.

Field descriptions

Field	Subfield	Entry	Explanation and action
FEATKEY		see subfields	KSET Feature key. This field includes subfields KEY, and FEAT.
	LEN	see subfields	Line equipment number. This field defines the location of the equipment that connects to a specific telephone line. Because field LEN is common to more than 60 tables, LEN is written in a single section to prevent copy. Refer to section "Common entry field LEN" for a complete description of field LEN and associated subfields. For ISDN lines, field LEN includes subfield LTID. For non-ISDN lines, field LEN includes subfields SITE, FRAME, UNIT, DRAWER or LSG, SHELF, SLOT, and CIRCUIT.
	KEY	1 to 69	KEY. Enter the number connected with the key for the assignment of the feature. The key is on a empty key with a lamp.
	FEATURE	LMOH	Feature. Enter LMOH for Line Music on Hold feature.

KSETFEAT feature LMOH (end)

Field descriptions

Field	Subfield	Entry	Explanation and action
KVAR	FEATURE	LMOH	Feature. Enter LMOH.
	AUDIOGRP	AUDIO1 to AUDIO512	Audio group. Enter the audio group from table AUDIO. The audio group identifies the announcement or music application for a call on hold.

Datafill example

The figure that follows shows sample datafill for table KSETFEAT feature LMOH.

MAP example for table KSETFEAT feature LMOH

FEATKEY	FEATURE	KVAR
HOST 00 0 09 04 1 LMOH	LMOH	AUDIO1

Table history

NA011

NA011 created the feature LMOH.

KSETFEAT feature LOB

Line of Business Code

For a description of feature LOB, refer to KSETFEAT.

Datafill

The following table lists the datafill for table KSETFEAT feature LOB.

Field descriptions

Field	Subfield or refinement	Entry	Explanation and action
FEATKEY		see subfields	<i>KSET feature key</i> This field consists of subfields LEN, KEY, and FEAT.
	LEN	see subfields	<i>Line equipment number</i> This field defines the physical location of the equipment that is connected to a specific telephone line. Because field LEN is common to more than 60 tables, it is documented in a single section to avoid unnecessary duplication. Refer to section "Common entry field LEN" for a complete description of field LEN and associated subfields. For ISDN lines, field LEN consists of subfield LTID. For non-ISDN lines, field LEN consists of subfields SITE, FRAME, UNIT, DRAWER or LSG, SHELF, SLOT, and CIRCUIT.
	KEY	2 to 9	<i>Physical key</i> Enter the key number to which feature LOB is assigned.
	FEAT	LOB	<i>Feature</i> Enter LOB for the Line of Business Code feature.
FEATURE		LOB	<i>Feature</i> Enter LOB.

Datafill example

An example of datafill for a business set assigned with feature LOB is shown below.

The LEN of the set is 00 0 02 04 at the host switching unit and it is assigned to key 5.

KSETFEAT feature LOB (end)

MAP display example for table KSETFEAT feature LOB

	FEATKEY	FEATURE	KVAR
HOST	00 0 02 04 5	LOB	LOB

KSETFEAT feature LOCAL

Local

For a description of feature LOCAL, refer to KSETFEAT.

Datafill

The following table lists the datafill for table KSETFEAT feature LOCAL.

Field descriptions

Field	Subfield or refinement	Entry	Explanation and action
FEATKEY		see subfields	<i>KSET feature key</i> This field consists of subfields LEN, KEY, and FEAT.
	LEN	see subfields	<i>Line equipment number</i> This field defines the physical location of the equipment that is connected to a specific telephone line. Because field LEN is common to more than 60 tables, it is documented in a single section to avoid unnecessary duplication. Refer to section "Common entry field LEN" for a complete description of field LEN and associated subfields. For ISDN lines, field LEN consists of subfield LTID. For non-ISDN lines, field LEN consists of subfields SITE, FRAME, UNIT, DRAWER or LSG, SHELF, SLOT, and CIRCUIT.
	KEY	2 to 9	<i>Physical key</i> Enter the key number to which feature LOCAL is assigned.
	FEAT	LOCAL	<i>Feature</i> Enter LOCAL for the LOCAL feature.
FEATURE		LOCAL	<i>Feature</i> Enter LOCAL.
KVAR		see subfield	<i>Key variable area</i> This field consists of subfield LOCAL_TYPE.
	LOCAL_TYP E	HANDS-FREE or PROGRAM_K EY	<i>Local type</i> Enter the local type of set.

KSETFEAT feature LOCAL (end)

Datafill example

An example of datafill for a business set assigned with feature LOCAL is shown below.

The LEN of the set is 00 0 02 04 at the host switching unit. Local is assigned to key 5, and it is a hands-free set.

MAP display example for table KSETFEAT feature LOCAL

		FEATKEY	FEATURE	KVAR
HOST	00 0 02 04	5	LOCAL	HANDSFREE

KSETFEAT feature LPIC

Primary Intra-LATA Carrier

For a description of feature LPIC, refer to KSETFEAT.

The carrier name must be previously datafilled in field CARRIER in table OCCNAME.

Datafill

The following table lists the datafill for table KSETFEAT feature LPIC.

Field descriptions (Sheet 1 of 2)

Field	Subfield or refinement	Entry	Explanation and action
FEATKEY		see subfields	KSET feature key. This field consists of subfields LEN, KEY, and FEAT.
	LEN	see subfields	Line equipment number. This field defines the physical location of the equipment that is connected to a specific telephone line. Because field LEN is common to more than 60 tables, it is documented in a single section to avoid unnecessary duplication. Refer to section "Common entry field LEN" for a complete description of field LEN and associated subfields. For ISDN lines, field LEN consists of subfield LTID. For non-ISDN lines, field LEN consists of subfields SITE, FRAME, UNIT, DRAWER or LSG, SHELF, SLOT, and CIRCUIT.
	KEY	1 to 69	Physical key. Enter the number associated with the directory number (DN) appearance to which the feature is being assigned. A maximum of 24 keys can have the feature assigned to them.
	FEAT	LPIC	Feature. Enter LPIC for the Primary Intra-LATA Carrier feature.
FEATURE		LPIC	Feature. Enter LPIC.
KVAR		see subfield	Key variable area. This field consists of subfields LCARRIER and LCHOICE.

KSETFEAT feature LPIC (end)

Field descriptions (Sheet 2 of 2)

Field	Subfield or refinement	Entry	Explanation and action
	LCARRIER	alphanumeric (1 to 16 characters)	Carrier. Enter the name of the subscriber's intra-LATA (local access and transport area) carrier. This name must be datafilled in field CARRIER in table OCCNAME before it can be used here.
	LCHOICE	Y or N	LPIC Choice. The LCHOICE entry (Y or N) determines if the LPIC subscriber is permitted to dial 10XXX/101XXXX codes. In the LCHOICE subfield, either Y or N must be entered; this field does not have a default value.

Datafill example

An example of datafill for a DN appearance with feature LPIC is shown in the following.

The LEN of the set is 00 0 02 04 at the host switch, and key 1 is assigned to the DN appearance requiring feature LPIC. The subscriber's carrier is CAR1.

MAP display example for table KSETFEAT feature LPIC

		FEATKEY	FEATURE	KVAR
HOST	00 0 02 04	1	LPIC	LPIC CAR1 Y

Table history NA006

Changed KVAR and LCHOICE field descriptions in accordance with the Intra-LATA PIC Enhancements feature.

KSETFEAT feature LSPSO

Local Service Provider Switch Owner

For a description of feature LSPSO, refer to KSETFEAT.

KSETFEAT feature LSPSO assigns a local service provider switch owner to a directory number (DN). Use SERVORD to assign feature LSPSO to a RES (Residential Enhanced Services) DN in table KSETFEAT using the NEW or ADD command.

Use the LSPSO feature only in a multi-jurisdiction environment on DNs outside the jurisdiction where the switch resides. In a single-jurisdictional environment, Nortel recommends that you use only the new OFCENG (office engineering) parameter DEFAULT_LSPSO. The software does not prevent customers from assigning the LSPSO option to DNs in a single-jurisdiction environment.

Datafill

The following table lists the datafill for table KSETFEAT feature LSPSO. SERVORD updates this table automatically when customers make changes to the LSPSO feature. This table shows the datafill for reference only.

Field descriptions

Field	Subfield or refinement	Entry	Explanation and action
FEATKEY		see subfields	<i>KSET feature key.</i> This field consists of subfields LEN, KEY, and FEAT.
	LEN	see subfields	<i>Line equipment number.</i> This field defines the physical location of the equipment that is connected to a specific telephone line. This field is common to more than 60 tables. Field LEN is documented in a single section to avoid duplication. Refer to section "Common entry field LEN" for a complete description of field LEN and associated subfields. For ISDN lines, field LEN consists of subfield LTID. For non-ISDN lines, field LEN consists of subfields SITE, FRAME, UNIT, DRAWER or LSG, SHELF, SLOT, and CIRCUIT.

KSETFEAT feature LSPSO (end)

Field descriptions

Field	Subfield or refinement	Entry	Explanation and action
FEATURE	KEY	1 to 69	<i>Physical key.</i> Enter the number associated with the DN to which you are assigning the feature. For M2317 digital telephones, you can use keys 1 to 11 only.
		LSPSO	<i>Feature.</i> Enter LSPSO for the Local Service Provider Switch Owner feature.
KVAR	FEAT	LSPSO	<i>Feature.</i> Enter LSPSO.
		see subfield	<i>Key variable area</i> This field consists of subfield DN.
	PROVIDER	alphanumeric (1 to 8 characters)	<i>Provider.</i> Enter the local service provider switch owner name. The provider name must be in table LSPINFO.

Datafill example

The following example shows sample datafill for table KSETFEAT feature LSPSO.

MAP display example for table KSETFEAT feature LSPSO

```

>KSETFEAT

FEATKEY          FEATURE          KVAR
-----
HOST 06 1 10 22 1  LSPSO      LSPSO      CLEC1
    
```

KSETFEAT feature LVM

Leave Message

For a description of feature LVM, refer to KSETFEAT.

Datafill

The following table lists the datafill for table KSETFEAT feature LVM.

Field descriptions

Field	Subfield or refinement	Entry	Explanation and action
FEATKEY		see subfields	<i>KSET feature key</i> This field consists of subfields LEN, KEY, and FEAT.
	LEN	see subfields	<i>Line equipment number</i> This field defines the physical location of the equipment that is connected to a specific telephone line. Because field LEN is common to more than 60 tables, it is documented in a single section to avoid unnecessary duplication. Refer to section "Common entry field LEN" for a complete description of field LEN and associated subfields. For ISDN lines, field LEN consists of subfield LTID. For non-ISDN lines, field LEN consists of subfields SITE, FRAME, UNIT, DRAWER or LSG, SHELF, SLOT, and CIRCUIT.
	KEY	1 to 69	<i>Physical key</i> Enter the number associated with the physical key to which the feature is being assigned. This must be a vacant key. For M2317 digital telephones, only keys 1 to 11 can be assigned.
	FEAT	LVM	<i>Feature</i> Enter LVM for the Leave Message feature.
FEATURE		LVM	<i>Feature</i> Enter LVM.

Datafill example

The following example shows sample datafill for table KSETFEAT feature LVM.

KSETFEAT feature LVM (end)

The LEN of the set is 00 0 02 04 at the host switching unit and the key assigned to this feature is 5.

MAP display example for table KSETFEAT feature LVM

	FHEATKEY	FFEATURE	KVAR
HOST	00 0 02 04 5	LVM	LVM

KSETFEAT feature MBSCAMP

Meridian Business Set Camp-on

For a description of feature MBSCAMP, refer to KSETFEAT.

Datafill

The following table lists the datafill for table KSETFEAT feature MBSCAMP.

Field descriptions

Field	Subfield or refinement	Entry	Explanation and action
FEATKEY		see subfields	<i>KSET feature key</i> This field consists of subfields LEN, KEY, and FEAT.
	LEN	see subfields	<i>Line equipment number</i> This field defines the physical location of the equipment that is connected to a specific telephone line. Because field LEN is common to more than 60 tables, it is documented in a single section to avoid unnecessary duplication. Refer to section "Common entry field LEN" for a complete description of field LEN and associated subfields. For ISDN lines, field LEN consists of subfield LTID. For non-ISDN lines, field LEN consists of subfields SITE, FRAME, UNIT, DRAWER or LSG, SHELF, SLOT, and CIRCUIT.
	KEY	1 to 69	<i>Physical key</i> Enter the number associated with the physical key to which the feature is being assigned. For code access features, the feature is assigned to key 1, which is the primary directory number (PDN) key. For M2317 digital telephones, only keys 1 to 11 can be assigned.
	FEAT	MBSCAMP	<i>Feature</i> Enter MBSCAMP for the Meridian business set Camp-on feature.
FEATURE		MBSCAMP	<i>Feature</i> Enter MBSCAMP.

KSETFEAT feature MBSCAMP (end)

Datafill example

An example of datafill for feature MBSCAMP assigned as code access is shown below.

The LEN of the set is 00 0 02 04 at the host switching unit.

MAP display example for table KSETFEAT feature MBSCAMP

	FPEATKEY	FEATURE	KVAR
HOST	00 0 02 04 5	MBSCAMP	MBSCAMP

KSETFEAT feature MCH

Malicious Call Hold (MCH)

For a description of feature MCH, refer to KSETFEAT.

This is a telephone set feature that can be assigned either to a vacant key or as a code access feature. If assigned to a key, this feature does not require a lamp.

The following information is required for this feature:

- the site name, if the set is remote
- the line equipment number (LEN) of the set

Note: The MCH feature is incompatible with call-originating integrated services digital network (ISDN) telephone sets. During calls from an ISDN phone set to a proprietary business set (PSET), electronic business service (EBS), or Meridian Business Set (MBS), when the user of the business set presses the MCH key, the ISDN set *does not remain held* by the MCH feature. When the business set tries to apply the MCH, an FTR138 log is generated, showing treatment as FNAL (FEATURE_NOT_ALLOWED).

Datafill

The following table lists the datafill for table KSETFEAT feature MCH.

Field descriptions (Sheet 1 of 2)

Field	Subfield or refinement	Entry	Explanation and action
FEATKEY		see subfields	<i>KSET feature key</i> This field consists of subfields LEN, KEY, and FEAT.
	LEN	see subfields	<i>Line equipment number</i> This field defines the physical location of the equipment that is connected to a specific telephone line. Because field LEN is common to more than 60 tables, it is documented in a single section to avoid unnecessary duplication. Refer to section "Common entry field LEN" for a complete description of field LEN and associated subfields. For ISDN lines, field LEN consists of subfield LTID. For non-ISDN lines, field LEN consists of subfields SITE, FRAME, UNIT, DRAWER or LSG, SHELF, SLOT, and CIRCUIT.

KSETFEAT feature MCH (end)

Field descriptions (Sheet 2 of 2)

Field	Subfield or refinement	Entry	Explanation and action
	KEY	1 to 69	<i>Physical key</i> Enter the number associated with the physical key to which the feature is being assigned. For code access features, the feature is assigned to key 1, which is the primary directory number (PDN) key. For M2317 digital telephones, only keys 1 to 11 can be assigned.
	FEAT	MCH	<i>Feature</i> Enter MCH for the Malicious Call Hold feature.
FEATURE		MCH	<i>Feature</i> Enter MCH.

Datafill example

An example of datafill for feature MCH assigned as code access is shown below.

The LEN of the set is 00 0 02 04 at the host switching unit.

MAP display example for table KSETFEAT feature MCH

	FATKEY	FEATURE	KVAR
HOST 00 0 02 04 5	MCH	MCH	

KSETFEAT feature MIPHONE

Mediated Individual Telephony

For a description of feature MIPHONE, refer to KSETFEAT.

Datafill

The following table lists the datafill for table KSETFEAT feature MIPHONE.

Field descriptions

Field	Subfield or refinement	Entry	Explanation and action
FEATKEY		see subfields	<i>KSET feature key</i> This field consists of subfields LEN, KEY, and FEAT.
	LEN	see subfields	<i>Line equipment number</i> This field defines the physical location of the equipment that is connected to a specific telephone line. Because field LEN is common to more than 60 tables, it is documented in a single section to avoid unnecessary duplication. Refer to section "Common entry field LEN" for a complete description of field LEN and associated subfields. For ISDN lines, field LEN consists of subfield LTID. For non-ISDN lines, field LEN consists of subfields SITE, FRAME, UNIT, DRAWER or LSG, SHELF, SLOT, and CIRCUIT.
	KEY	1	<i>Physical key</i> Enter 1. Feature MIPHONE is always assigned to key 1.
	FEAT	MIPHONE	<i>Feature</i> Enter MIPHONE for the Mediated Individual Telephony feature.
FEATURE		MIPHONE	<i>Feature</i> Enter MIPHONE.
KVAR		see subfields	<i>Key variable area</i> This field consists of subfield MIPID.
	MIPID	0 to 4294967295	<i>MIPHONE personal identification number</i> Enter a value that has an associated entry in table HLR.

KSETFEAT feature MIPHONE (end)

Datafill example

There is no example for feature MIPHONE.

KSETFEAT feature MRFM

Multiple Appearance Directory Number Ring Forward Manual

For a description of feature MRFM, refer to KSETFEAT.

The MRF option must be assigned to the Multiple Appearance Directory Number (MADN) group in table MDNGRP before an appearance of that MADN can be assigned to the keylist of the MRFM key. The MADN group does not appear in table MDNGRP until a member of the group has been datafilled in either table IBNLINES or KSETLINE.

When all members of a MADN group are deleted from tables IBNLINES and KSETLINE, the corresponding tuples in tables MDNGRP and MDNMEM are deleted automatically. If any members of the MADN group were in a MRFM keylist, they are removed automatically and the key is deleted from the set if all members of its keylist are removed. This does not apply to the MRFM \$ key (global key).

Feature MRFM is assigned to an electronic business set (EBS) key.

Datafill

The following table lists the datafill for table KSETFEAT feature MRFM.

Field descriptions (Sheet 1 of 2)

Field	Subfield or refinement	Entry	Explanation and action
FEATKEY		see subfields	<i>KSET feature key</i> This field consists of subfields LEN, KEY, and FEATURE.
	LEN	see subfields	<i>Line equipment number</i> This field defines the physical location of the equipment that is connected to a specific telephone line. Because field LEN is common to more than 60 tables, it is documented in a single section to avoid unnecessary duplication. Refer to section "Common entry field LEN" for a complete description of field LEN and associated subfields. For ISDN lines, field LEN consists of subfield LTID. For non-ISDN lines, field LEN consists of subfields SITE, FRAME, UNIT, DRAWER or LSG, SHELF, SLOT, and CIRCUIT.

KSETFEAT feature MRFM (continued)

Field descriptions (Sheet 2 of 2)

Field	Subfield or refinement	Entry	Explanation and action
	KEY	1 to 69	<i>Physical key</i> Enter the number associated with the physical key to which the feature is being assigned. This must be a blank key with an associated lamp.
	FEAT	MRFM	<i>Feature</i> Enter MRFM for the Multiple Appearance Directory Number (MADN) Ring Forward Manual feature.
FEATURE		MRFM	<i>Feature</i> Enter MRFM.
KVAR		see subfield	<i>Key variable area</i> This field consists of subfield KEYLIST.
	KEYLIST	1 to 69	<i>Key list</i> This field indicates that the MRFM feature is only valid for MADN calls on the specified key. The field lists the MADN keys that have ringing forwarded when the MRFM key is depressed. Duplicate entries are not valid. A maximum of 24 keys can be entered. Separate each key number with a space. Note: Entering a \$ (dollar sign) as the only entry in subfield KEYLIST indicates that the MRFM key applies to all MADNs on the electronic business set (EBS) that have been assigned the MRF option, either automatically or manually. There can be only one MRFM \$ key for each set. If a new DN is added to the set after the MRFM keylist has been datafilled, the new DN is automatically added to the keylist of the MRFM key affecting the entire set if it belongs to a MADN group that is assigned option MRF. If less than 24 keys are assigned, end the list with a \$.

Datafill example

The following example shows sample datafill for table KSETFEAT feature MRFM.

KSETFEAT feature MRFM (end)

MAP display example for table KSETFEAT feature MRFM

	FEMATKEY	FEATURE	KVAR
HOST 00 0 02 04 5	MRFM	MRFM	(1) (3)\$

KSETFEAT feature MSB

Make Set Busy

For a description of feature MSB, refer to KSETFEAT.

Variation MSB All Calls is achieved by setting field INTRA to N. Variation MSB Intragroup is achieved by setting field INTRA to Y.

The following information is required for feature MSB:

- the site name of the set, if remote
- the line equipment number (LEN) of the set
- the treatment (tone and announcement) required, which is specified in table CUSTSTN. The default is busy tone.

Datafill

The following table lists the datafill for table KSETFEAT feature MSB.

Field descriptions (Sheet 1 of 2)

Field	Subfield or refinement	Entry	Explanation and action
FEATKEY		see subfields	<i>KSET feature key</i> This field consists of subfields LEN, KEY, and FEAT.
	LEN	see subfields	<i>Line equipment number</i> This field defines the physical location of the equipment that is connected to a specific telephone line. Because field LEN is common to more than 60 tables, it is documented in a single section to avoid unnecessary duplication. Refer to section "Common entry field LEN" for a complete description of field LEN and associated subfields. For ISDN lines, field LEN consists of subfield LTID. For non-ISDN lines, field LEN consists of subfields SITE, FRAME, UNIT, DRAWER or LSG, SHELF, SLOT, and CIRCUIT.

KSETFEAT feature MSB (continued)**Field descriptions (Sheet 2 of 2)**

Field	Subfield or refinement	Entry	Explanation and action	
FEATURE	KEY	1 to 69	<i>Physical key</i> Enter the number associated with the physical key to which the feature is being assigned. For M3000 digital telephones, only key 16 can be assigned. For M2317 digital telephones, only keys 1 to 11 can be assigned.	
	FEAT	MSB	<i>Feature</i> Enter MSB for the Make Set Busy feature.	
		MSB	<i>Feature</i> Enter MSB.	
	KVAR	see subfields	<i>Key variable area</i> This field consists of subfields INTRA and KEYLIST.	
		INTRA	Y or N	<i>Intragroup</i> Enter Y (yes) if the set is made busy to intragroup calls. Enter N (no) if the set is made busy to all calls.
		KEYLIST	1 to 69	<i>Key list</i> Enter the list of keys (maximum of 24) of DN keys that are given MSB when the MSB key is activated. Separate each key number with a space. Enter \$ as the only entry if the feature is associated with all DN appearances on the set. All DN keys are given MSB. If less than 24 keys are assigned, end the list with a \$.

Datafill example

The following example shows sample datafill for table KSETFEAT feature MSB.

The LEN of the set is 00 0 02 04 at the host switching unit and the key assigned to feature MSB is 5.

The set has the MSB Intragroup feature variation.

KSETFEAT feature MSB (end)

MAP display example for table KSETFEAT feature MSB

	FATKEY	FEATURE	KVAR
HOST 00 0 02 04 5	MSB	MSB Y	(2)\$

KSETFEAT feature MWIDC

Message Waiting Indication

For a description of feature MWIDC, refer to table KSETFEAT.

This is a set feature and can only be assigned to sets with a display and an associated lamp.

Datafill

The following table lists the datafill for table KSETFEAT feature MWIDC.

Field descriptions

Field	Subfield or refinement	Entry	Explanation and action
FEATKEY		see subfields	<i>KSET feature key</i> This field consists of subfields LEN, KEY, and FEAT.
	LEN	see subfields	<i>Line equipment number</i> This field defines the physical location of the equipment that is connected to a specific telephone line. Because field LEN is common to more than 60 tables, it is documented in a single section to avoid unnecessary duplication. Refer to section "Common entry field LEN" for a complete description of field LEN and associated subfields. For ISDN lines, field LEN consists of subfield LTID. For non-ISDN lines, field LEN consists of subfields SITE, FRAME, UNIT, DRAWER or LSG, SHELF, SLOT, and CIRCUIT.
	KEY	1 to 69	<i>Physical key</i> Enter the number associated with the physical key to which this feature is being assigned.
	FEAT	MWIDC	<i>Feature</i> Enter MWIDC for the Message Waiting Indication feature.
FEATURE		MWIDC	<i>Feature</i> Enter MWIDC.

Datafill example

There is no example for feature MWIDC.

KSETFEAT feature MWQRY

Message Waiting Query

For a description of feature MWQRY, refer to KSETFEAT.

This is a set feature and can only be assigned to sets with a display and an associated lamp.

Datafill

The following table lists the datafill for table KSETFEAT feature MWQRY.

Field descriptions

Field	Subfield or refinement	Entry	Explanation and action
FEATKEY		see subfields	<i>KSET feature key</i> This field consists of subfields LEN, KEY, and FEAT.
	LEN	see subfields	<i>Line equipment number</i> This field defines the physical location of the equipment that is connected to a specific telephone line. Because field LEN is common to more than 60 tables, it is documented in a single section to avoid unnecessary duplication. Refer to section "Common entry field LEN" for a complete description of field LEN and associated subfields. For ISDN lines, field LEN consists of subfield LTID. For non-ISDN lines, field LEN consists of subfields SITE, FRAME, UNIT, DRAWER or LSG, SHELF, SLOT, and CIRCUIT.
	KEY	1 to 69	<i>Physical key</i> Enter the number associated with the physical key to which this feature is being assigned.
	FEAT	MWQRY	<i>Feature</i> Enter MWQRY for the Message Waiting Query feature.
FEATURE		MWQRY	<i>Feature</i> Enter MWQRY.

Datafill example

There is no example for feature MWQRY.

KSETFEAT feature MWT

Message Waiting

For a description of feature MWT, refer to KSETFEAT.

This feature is only valid for the primary directory number (PDN) of business sets. MWT allows the PDN of the set to receive and retrieve messages from the message center.

To support key access to the MWT feature with the Call Request (CAR) variant (MWT/CAR) on a P-phone, the MWT and Leave Message (LVM). Feature indicator pairs must be present.

Datafill

The following table lists the datafill for table KSETFEAT feature MWT.

Field descriptions (Sheet 1 of 2)

Field	Subfield or refinement	Entry	Explanation and action
FEATKEY		see subfields	<i>KSET feature key</i> This field consists of subfields LEN, KEY, and FEAT.
	LEN	see subfields	<i>Line equipment number</i> This field defines the physical location of the equipment connected to a telephone line. Field LEN is common to more than 60 tables. Field LEN is documented in a single section to avoid duplication. Refer to section "Common entry field LEN" for a complete description of field LEN and associated subfields. For ISDN lines, field LEN consists of subfield LTID. For non-ISDN lines, field LEN consists of subfields SITE, FRAME, UNIT, DRAWER or LSG, SHELF, SLOT, and CIRCUIT.
	KEY	1 to 69	<i>Physical key</i> Enter the number associated with the physical key to which the feature is being assigned. For M3000 digital telephones, only key 8 can be assigned. For M2317 digital telephones, only key 14 can be assigned.
	FEAT	MWT	<i>Feature</i> Enter MWT for the Message Waiting feature.

KSETFEAT feature MWT (continued)**Field descriptions (Sheet 2 of 2)**

Field	Subfield or refinement	Entry	Explanation and action
FEATURE		MWT	<i>Feature</i> Enter MWT.
KVAR		see subfields	<i>Key variable area</i> This field consists of subfields NOTICE and CAR.
	NOTICE	STD, MWL, MWL_STD	<i>Message waiting indication notification type</i> Enter STD to provide stuttered dialtone. Enter MWL to provide message waiting lamp. Enter MWL_STD to provide STD and MWL. together. The default value is MWL.
	CAR	Y or N	<i>Call request</i> Enter Y (yes) if the line is allowed to make call requests against another line and to receive call requests placed by other lines. Datafill refinement CRRCFW. Enter N (no) if the line cannot make or receive call requests against another line. Enter refinement CRX.
	CRRCFW	ALL DISPLAY or NO	<i>Call request retrieval and call forwarding</i> Enter ALL to allow the call request retrieval to forward. Enter DISPLAY to allow the call request retrieval to forward only if the requestee has a display set.
	CRX	Y or N	<i>Call request exempt</i> Enter Y if the line is exempt from having call requests placed by other lines. Enter N if the line can have call requests placed by other lines.

Datafill example

The following example shows sample datafill for table KSETFEAT feature MWT.

The example shows feature MWT assigned to key 6 of a set with the LEN of 00 0 02 04 at the host switching unit.

The line can make call requests against another line, receive call requests from lines, and allows the call request retrieval to follow any active call-forwarding chains.

KSETFEAT feature MWT (end)

MAP display example for table KSETFEAT feature MWT

	FATKEY	FEATURE	KVAR
HOST 00 0 02 04 6	MWT	MWT Y	ALL N

KSETFEAT feature NDNAP

Number of DN Appearances

For a description of the Number of DN Appearances feature, refer to table KSETFEAT.

The Number of DN Appearances (NDNAP) feature is a directory number (DN) feature. Feature NDNAP indicates the total key appearances for a non-Multiple Appearance Directory Number (MADN) DN on a National ISDN 2 (NI-2) set.

Datafill

The following table lists the datafill for table KSETFEAT feature NDNAP.

Field descriptions

Field	Subfield	Entry	Explanation and action
FEATKEY		see subfields	KSET feature key. This field includes subfields LEN, KEY, and FEAT.
	LEN	see subfields	Line equipment number. This field defines the location of the equipment that connects to a given telephone line. Because field LEN is common to more than 60 tables, it is documented in a single section to avoid unnecessary duplication. Refer to section "Common entry field LEN" for a complete description of field LEN and associated subfields. For ISDN lines, field LEN includes subfield LTID.
	KEY	1 to 69	Physical key. Enter the number associated with the physical key to which you assign NDNAP.
	FEAT	NDNAP	Feature. Enter NDNAP for the Number of DN Appearances feature.

KSETFEAT feature NDNAP (end)**Field descriptions**

Field	Subfield	Entry	Explanation and action
FEATURE		NDNAP	Feature. Enter NDNAP for the Number of DN Appearances feature.
KVAR		1 to 32	Key variable area. This field indicates the number of DN appearances (NDNAP) that the DN occupies on an NI-2 set. Note: The default NDNAP is equal to the sum of the two values for feature CRBL.

Datafill example

The following example shows sample datafill for table KSETFEAT feature NDNAP.

MAP display example for table KSETFEAT feature NDNAP

		FATKEY	FEATURE	KVAR
NI2	1 1	NDNAP	NDNAP	4

KSETFEAT feature NGTSRVCE

Night Service

For a description of feature NGTSRVCE, refer to KSETFEAT.

Automatic Call Distribution (ACD) calls arriving to the ACD queues after feature Night Service has been activated are routed to a specified treatment (as identified in table ACDGRP). The Supervisor feature (SUPR) must be datafilled as key 1 on the supervisor set before feature NGTSRVCE can be assigned.

Datafill

The following table lists the datafill for table KSETFEAT feature NGTSRVCE.

Field descriptions (Sheet 1 of 2)

Field	Subfield or refinement	Entry	Explanation and action
FEATKEY		see subfields	<i>KSET feature key</i> This field consists of subfields LEN, KEY, and FEAT.
	LEN	see subfields	<i>Line equipment number</i> This field defines the physical location of the equipment that is connected to a specific telephone line. Because field LEN is common to more than 60 tables, it is documented in a single section to avoid unnecessary duplication. Refer to section "Common entry field LEN" for a complete description of field LEN and associated subfields. For ISDN lines, field LEN consists of subfield LTID. For non-ISDN lines, field LEN consists of subfields SITE, FRAME, UNIT, DRAWER or LSG, SHELF, SLOT, and CIRCUIT.
	KEY	2 to 69	<i>Physical key</i> Enter the number associated with the physical key to which the feature is being assigned. This must be a vacant key with an associated lamp.
	FEAT	NGTSRVCE	<i>Feature</i> Enter NGTSRVCE for the Night Service feature.
FEATURE		NGTSRVCE	<i>Feature</i> Enter NGTSRVCE.

KSETFEAT feature NGTSRVCE (end)**Field descriptions (Sheet 2 of 2)**

Field	Subfield or refinement	Entry	Explanation and action
KVAR		see subfield	<i>Key variable area</i> This field consists of subfield ACDGRP.
	ACDGRP	alphanumeric (1 to 16 characters)	<i>Automatic Call Distribution group</i> Enter the name of the Automatic Call Distribution (ACD) group associated with this Night Service key. The name must be previously datafilled in table ACDGRP.

Datafill example

An example of datafill for assigning the Night Service feature to key 5 of the supervisor's set is shown below.

The LEN of the supervisor's set is 00 0 02 04 at the host switching unit.

The ACD group assigned to this Night Service key is called ACDGRP99.

MAP display example for table KSETFEAT feature NGTSRVCE

	FEATKEY	FEATURE	KVAR
HOST 00 0 02 04 5	NGTSRVCE	NGTSRVCE	ACDGRP99

KSETFEAT feature NRS

Network Resource Selector

For a description of feature NRS, refer to KSETFEAT.

This feature must be assigned to key 2 and is only valid for a data unit (DU).

The following information is required for this feature:

- the site name of the set (if the set is remote)
- the line equipment number (LEN) of the set
- the common language location identifier (CLLI) name of the default outbound and inbound modem pools

The logical terminal identifier (LTID) on the terminating ISDN set must have the NRS feature assigned before the inbound modem pooling (IMP) feature can be used to terminate to that LTID. ISDN IMP subscribers using default pool selection require that field NDI be set to Y (yes), and a modem pool group name be datafilled for field NDIGROUP.

Datafill

The following table lists the datafill for table KSETFEAT feature NRS.

Field descriptions (Sheet 1 of 3)

Field	Subfield or refinement	Entry	Explanation and action
FEATKEY		see subfields	<i>KSET feature key</i> This field consists of subfields LEN, KEY, and FEAT.
	LEN	see subfields	<i>Line equipment number</i> This field defines the physical location of the equipment that is connected to a specific telephone line. Because field LEN is common to more than 60 tables, it is documented in a single section to avoid unnecessary duplication. Refer to section "Common entry field LEN" for a complete description of field LEN and associated subfields. For ISDN lines, field LEN consists of subfield LTID. For non-ISDN lines, field LEN consists of subfields SITE, FRAME, UNIT, DRAWER or LSG, SHELF, SLOT, and CIRCUIT.

KSETFEAT feature NRS (continued)**Field descriptions (Sheet 2 of 3)**

Field	Subfield or refinement	Entry	Explanation and action
FEATURE	KEY	2	<i>Physical key</i> Enter 2. Feature NRS is always assigned to key 2.
	FEAT	NRS	<i>Feature</i> Enter NRS for the Network Resource Selector feature.
		NRS	<i>Feature</i> Enter NRS.
KVAR		see subfields	<i>Key variable area</i> This field consists of subfields NDI, NDIGROUP, NDO, NDOGROUP, AMI, and KEYLIST.
	NDI	Y or N	<i>Network resource selector default inbound</i> Enter Y (yes) if the default inbound feature is activated. Otherwise, enter N (no).
	NDIGROUP	alphanumeric (1 to 16 characters)	<i>Network resource selector default inbound group</i> Enter the NRS group common language location identifier (CLLI) name that is used as the default inbound NRS if field NDI is Y.
	NDO	LOCAL NOMP or NTRWKMP	<i>Network resource selector default outbound</i> Enter LOCAL to activate the local NRS Outbound Modem Pool feature. Enter NOMP to deactivate the local NRS Outbound Modem Pool feature. Enter NTRWKMP to activate the network NRS Outbound Modem Pool feature.
	NDOGROUP	alphanumeric (1 to 16 characters)	<i>Network resource selector default outbound group</i> Enter the NRS group CLLI name that is used as the default outbound NRS. See table CLLI.

KSETFEAT feature NRS (end)

Field descriptions (Sheet 3 of 3)

Field	Subfield or refinement	Entry	Explanation and action
	AMI	Y or N	<i>Automatic modem insertion</i> Enter Y if automatic outbound modem pool insertion is required. Otherwise, enter N.
	KEYLIST	1 to 69	<i>Key list</i> Enter the list of keys (maximum of 24) associated with DN appearances for the ISDN lines assigned NRS feature. Separate each key number with a space. If the feature is associated with all DN appearances on the set, then leave this field blank as the default for all. If this feature is datafilled against a data unit line, then the keylist must be left blank. If less than 24 keys are assigned, end the list with a \$.

Datavfill example

The following example shows sample datafill for table KSETFEAT feature NRS.

The feature is assigned to key 2 of a set with a LEN of 00 0 02 04 at the host switching unit. Both outbound and inbound modem pooling are required. The NRS group CLLI of both the default outbound and inbound NRS is B007A.

MAP display example for table KSETFEAT feature NRS

	FATKEY	FEATURE	KVAR
HOST 00 0 02 04	2	NRS	NRS Y B007A
LOCAL	B007A	Y	(1) (4)\$

KSETFEAT feature OBS

Observe Agent

For a description of feature OBS, refer to KSETFEAT.

The call agent (CAG) key must be previously datafilled in table KSETLINE.

A warning tone is given if an observation warning tone (OBSWTONE) is specified in field OPTION of the Automatic Call Distribution (ACD) group in table ACDGRP.

The Supervisor feature (SUPR) must be datafilled for key 1 to establish a supervisor telephone set.

Feature OBS requires a key with an associated lamp.

Datafill

The following table lists the datafill for table KSETFEAT feature OBS.

Field descriptions (Sheet 1 of 4)

Field	Subfield or refinement	Entry	Explanation and action
FEATKEY		see subfields	<i>KSET feature key</i> This field consists of subfields LEN, KEY, and FEAT.
	LEN	see subfields	<i>Line equipment number</i> This field defines the physical location of the equipment that is connected to a specific telephone line. Because field LEN is common to more than 60 tables, it is documented in a single section to avoid unnecessary duplication. Refer to section "Common entry field LEN" for a complete description of field LEN and associated subfields. For ISDN lines, field LEN consists of subfield LTID. For non-ISDN lines, field LEN consists of subfields SITE, FRAME, UNIT, DRAWER or LSG, SHELF, SLOT, and CIRCUIT.
	KEY	1 TO 69	<i>Physical key</i> Enter the number associated with the physical key to which the feature is being assigned. A maximum of 24 keys can have the feature assigned to them.

KSETFEAT feature OBS (continued)

Field descriptions (Sheet 2 of 4)

Field	Subfield or refinement	Entry	Explanation and action
FEATURE	FEAT	OBS	<i>Feature</i> Enter OBS for the Observe Agent feature.
		OBS	<i>Feature</i> Enter OBS.
KVAR		see subfield	<i>Key variable area</i> This field consists of subfield OBSTYPE.
	OBSTYPE	BASIC EXTENDED or FOBS	<i>Observation type</i> Enter the type of observation. Only one type of observation is permitted at a time. Enter BASIC to specify the basic agent observe option and datafill refinement ACDGROUP. Enter EXTENDED to specify the extended agent observe option. No further datafill for this feature is required. Enter FOBS to specify the flexible call observe option and datafill refinements FOBS_ACDGROUP and FOBSTYPE.
	ACDGROUP	alphanumeric (1 to 16 characters)	<i>Automatic Call Distribution group</i> If the entry in field OBSTYPE is BASIC, datafill this refinement. Enter the name of the Automatic Call Distribution (ACD) group datafilled in table ACDGRP for which observation is desired. No further datafill for this feature is required.
	FOBS_ACD GROUP	alphanumeric (1 to 16 characters)	<i>Flexible call observe ACD group</i> If the entry in field OBSTYPE is FOBS, datafill this refinement. Enter the flexible call observe ACD group name.

KSETFEAT feature OBS (continued)

Field descriptions (Sheet 3 of 4)

Field	Subfield or refinement	Entry	Explanation and action
	FOBSTYPE	DN, GROUP, or SUBGROUP	<p><i>Flexible call observe type</i> If the entry in field OBSTYPE is FOBS, datafill this refinement. Enter the flexible call observe (FOBS) type.</p> <p>Enter DN to indicate that only calls routed to a particular directory number (DN) are sent to the FOBS option and datafill refinement FOBS_ACDDN. The DN must be a primary or supplementary DN for the FOBS ACD group.</p> <p>Enter GROUP to indicate flexible call observe on a group-by-group basis. All applicable incoming calls for the ACD group are sent to the FOBS option. No further datafill for this feature is required.</p> <p>Enter SUBGROUP to indicate that only calls routed to a particular ACD group subgroup are sent to the FOBS option and datafill refinement FOBS_ACD_SUBGROUP.</p>
	FOBS_ACD DN	see subfields	<p><i>Flexible call observe ACD directory number</i> If the entry in field FOBSTYPE is DN, datafill this refinement. This refinement consists of subfield SVGNPA, NNX, and DEFGDGS. Separate each subfield with a space.</p>
	SVGNPA	0 to 9(3 digits)	<p><i>Serving numbering plan area</i> If the entry in refinement FOBSTYPE is DN, datafill this refinement. Enter the serving number plan area (SNPA), the first three digits of the DN.</p>
	NNX	0 to 9(3 digits)	<p><i>Office code</i> If the entry in refinement FOBSTYPE is DN, datafill this refinement. Enter the office code, the next three digits of the DN.</p>

KSETFEAT feature OBS (end)

Field descriptions (Sheet 4 of 4)

Field	Subfield or refinement	Entry	Explanation and action
	DEFGDIGS	0 to 9(4 digits)	<i>Station number</i> If the entry in refinement FOBSTYPE is DN, datafill this refinement. Enter the last four digits of the DN. No further datafill for this feature is required.
	FOBS_ACD_ SUBGROUP	0 to 255	<i>Flexible call observe ACD subgroup</i> If the entry in refinement FOBSTYPE is SUBGROUP, datafill this refinement. Enter the subgroup number of the ACD group for which observation is desired.

Datafill example

The following example shows sample datafill for table KSETFEAT feature OBS.

The LEN of the set is 00 0 02 04 at the host switching unit and key 5 is assigned to the OBS feature. The feature is assigned the extended observation type.

MAP display example for table KSETFEAT feature OBS

	FATKEY	FEATURE	KVAR
HOST 00 0 02 04 5	OBS	OBS	EXTENDED

KSETFEAT feature OLS

Originating Line Select

For a description of feature OLS, refer to KSETFEAT.

Datafill

The following table lists the datafill for table KSETFEAT feature OLS.

Field descriptions (Sheet 1 of 2)

Field	Subfield or refinement	Entry	Explanation and action
FEATKEY		see subfileds	<i>KSET feature key</i> This field consists of subfields LEN, KEY, and FEAT.
	LEN	see subfileds	<i>Line equipment number</i> This field defines the physical location of the equipment that is connected to a specific telephone line. Because field LEN is common to more than 60 tables, it is documented in a single section to avoid unnecessary duplication. Refer to section "Common entry field LEN" for a complete description of field LEN and associated subfields. For ISDN lines, field LEN consists of subfield LTID. For non-ISDN lines, field LEN consists of subfields SITE, FRAME, UNIT, DRAWER or LSG, SHELF, SLOT, and CIRCUIT.
	KEY	1 to 69	<i>Physical key</i> Enter the number associated with the directory number (DN) appearance to which the feature is being assigned. For M3000 digital telephones, only keys 1 to 6 can be assigned. For M2317 digital telephones, only keys 1 to 11 can be assigned.
	FEAT	OLS	<i>Feature</i> Enter OLS for the Originating Line Select feature.
FEATURE		OLS	<i>Feature</i> Enter OLS.

KSETFEAT feature OLS (end)

Field descriptions (Sheet 2 of 2)

Field	Subfield or refinement	Entry	Explanation and action
KVAR		see subfields	<i>Key variable area</i> This field consists of subfield OLSOPT.
	OLSOPT	IDLE or NOSELECT	<i>Originating line select option</i> Enter IDLE if a line is automatically selected when going off-hook. Enter NOSELECT if the user must manually select the desired DN.

Datafill example

An example of datafill for a DN appearance with feature OLS is shown below.

The LEN of the set is 00 0 02 04 at the host switch, and key 5 is assigned to the DN appearance requiring this feature. The line is automatically selected when going off-hook.

MAP display example for table KSETFEAT feature OLS

		FEATKEY	FEATURE	KVAR
HOST	00 0 02 04	5	OLS	OLS
				IDLE

KSETFEAT feature PBL

Private Business Line

For a description of feature PBL, refer to KSETFEAT.

This feature is not valid for data units (DU).

The following information is required for each line with feature PBL:

- if the set is remote, the site name of the remote location
- the line equipment number (LEN) to which the line with the feature is assigned
- the key number of the directory number (DN) appearance to which this feature is assigned

Datafill

The following table lists the datafill for table KSETFEAT feature PBL.

Field descriptions (Sheet 1 of 2)

Field	Subfield or refinement	Entry	Explanation and action
FEATKEY		see subfields	<i>KLSET feature key</i> This field consists of subfields LEN, KEY, and FEAT.
	LEN	see subfields	<i>Line equipment number</i> This field defines the physical location of the equipment that is connected to a specific telephone line. Because field LEN is common to more than 60 tables, it is documented in a single section to avoid unnecessary duplication. Refer to section "Common entry field LEN" for a complete description of field LEN and associated subfields. For ISDN lines, field LEN consists of subfield LTID. For non-ISDN lines, field LEN consists of subfields SITE, FRAME, UNIT, DRAWER or LSG, SHELF, SLOT, and CIRCUIT.

KSETFEAT feature PBL (end)

Field descriptions (Sheet 2 of 2)

Field	Subfield or refinement	Entry	Explanation and action
	KEY	1 to 69	<i>Physical key</i> Enter the number associated with the directory number (DN) appearance to which the feature is being assigned. For M3000 digital telephones, only keys 1 to 6 can be assigned. For M2317 digital telephones, only keys 1 to 11 can be assigned.
	FEAT	PBL	<i>Feature</i> Enter PBL for the Private Business Line feature.
FEATURE		PBL	<i>Feature</i> Enter PBL.

Datafill example

There is no example for feature PBL.

KSETFEAT feature PCACIDS

Privacy Change Allowed Caller ID Delivery and Suppression

PCACIDS provides the operating company the ability to allow and deny the use of the presentation indicator (PI) in the calling name information element (CGNIE) of the ISDN SETUP message according to DN, customer group, and office. The DN option takes precedence over the customer group option and office parameter ISDNBRI_PRIVACY_CHANGE_ALLOWED, and the customer group option takes precedence over the office parameter. This feature applies to ISDN BRI subscribers only.

Datafill

The following table lists the datafill for table KSETFEAT feature PCACIDS.

Field descriptions (Sheet 1 of 2)

Field	Subfield or refinement	Entry	Explanation and action
FEATKEY		see subfields	<i>KSET feature key</i> This field is a three-part key. It consists of entries LEN, KEY, and FEAT.
	LEN	see explanation	<i>Line equipment number</i> This field defines the physical location of the equipment that is connected to a specific telephone line. Because field LEN is common to more than 60 tables, it is documented in a single section to avoid unnecessary duplication. Refer to section "Common entry field LEN" for a complete description of field LEN and associated subfields. For ISDN lines, field LEN consists of subfield LTID.
	KEY	1	<i>Physical key</i> Enter the number of the DN key that has feature PCACIDS assigned in table KSETLINE. PCACIDS can only be assigned to the primary DN, that is, key 1.
	FEAT	PCACIDS	<i>Feature</i> Enter PCACIDS to assign this feature to the specified key.

KSETFEAT feature PCACIDS (end)

Field descriptions (Sheet 2 of 2)

Field	Subfield or refinement	Entry	Explanation and action
FEATURE		PCACIDS	<i>Feature</i> Enter PCACIDS to assign this feature to the specified key.
	ALLOWPI	Y or N	<i>Allow PI</i> Enter Y to allow subscriber modification of the PI in the ISDN SETUP message. Enter N to disallow its modification.
KVAR		see subfield	<i>Key variable area</i> This field consists of subfield Keylist.
		1-69, \$	<i>Keylist</i> Enter the DN key number (or numbers) to which this feature applies. A dollar sign (\$) indicates that PCACIDS applies to all DN keys.

Datafill example

The following example shows sample datafill for table KSETFEAT feature PCACIDS.

MAP display example for table KSETFEAT feature PCACIDS

```

TABLE: KSETFEAT
FEATKEY FEATURE KVAR
-----
HOST 00 0 13 12 1 PCACIDS PCACIDS Y (1) $
    
```

KSETFEAT feature PF

Power Feature

For a description of feature PF, refer to KSETFEAT.

The network specific name associated with a user's directory number (DN) is assigned in table DNATTR.

Feature PF is either a key or code access feature and can be assigned to a vacant key or the code datafilled in table IBNXLA can be used to activate feature PF.

Note: Before assigning feature PF to a new customer group, make sure that the customer group tuple exists in table CUSTNTWK.

Datafill

The following table lists the datafill for table KSETFEAT feature PF.

Field descriptions (Sheet 1 of 3)

Field	Subfield or refinement	Entry	Explanation and action
FEATKEY		see subfields	<i>KSET feature key</i> This field consists of subfields LEN, KEY, and FEAT.
	LEN	see subfields	<i>Line equipment number</i> This field defines the physical location of the equipment that is connected to a specific telephone line. Because field LEN is common to more than 60 tables, it is documented in a single section to avoid unnecessary duplication. Refer to section "Common entry field LEN" for a complete description of field LEN and associated subfields. For ISDN lines, field LEN consists of subfield LTID. For non-ISDN lines, field LEN consists of subfields SITE, FRAME, UNIT, DRAWER or LSG, SHELF, SLOT, and CIRCUIT.

KSETFEAT feature PF (continued)

Field descriptions (Sheet 2 of 3)

Field	Subfield or refinement	Entry	Explanation and action
FEATURE	KEY	1 to 69	<i>Physical key</i> Enter the number associated with the physical key to which the feature is being assigned. A maximum of 24 keys can have the feature assigned to them. For M3000 and M2317 digital telephones, no key is available for feature PF. Use code access instead.
	FEAT	PF	<i>Feature</i> Enter PF for the Power Feature.
		PF	<i>Feature</i> Enter PF.
KVAR		see subfield	<i>Key variable area</i> This subfield consists of subfield PFOPTS.
	PFOPTS	see subfield	<i>Power feature options</i> This subfield consists of subfield PFOPT.
	PFOPT	LANG LOCK PSWD or USER	<i>Power feature options</i> Enter LANG for language control and datafill refinement LANGUAGE. LOCK is not a valid entry. It will be used in the future to protect the user's name and password from deletion or change. Enter PSWD for password control and datafill refinement PASSWORD. Enter USER to specify level of access and datafill refinement USER. If less than four options are required, end the list of options with a \$ (dollar sign).
	PASSWORD	numeric(0 to 9)	<i>Password</i> If the entry in subfield PFOPT is PSWD, enter a number of three to six characters in length to represent the password required to access PF.

KSETFEAT feature PF (end)**Field descriptions (Sheet 3 of 3)**

Field	Subfield or refinement	Entry	Explanation and action
	LANGUAGE	ENGLISH or FRENCH	<i>Language</i> If the entry in subfield PFOPT is LANG, enter the language used in PF.
	USER	ADMIN or GENERAL	<i>User</i> If the entry in subfield PFOPT is USER, enter the level of access for the set. Enter ADMIN for an administrator who can change the name of any DN in the customer group. Enter GENERAL for a general user who can only change the name associated with his or her own DN.

Datafill example

The following example shows sample datafill for table KSETFEAT feature PF.

The LEN of the set is 00 0 02 04 at the host switching unit and key 5 is assigned to the DN appearance requiring feature PF.

The user is a general user and English is used.

MAP display example for table KSETFEAT feature PF

	FATKEY	FEATURE	KVAR
HOST 00 0 02 04 5	PF	PF	
	(USER GENERAL)	(LANG ENGLISH)\$	

KSETFEAT feature PIC

Primary Inter-LATA Carrier

For a description of feature PIC, refer to KSETFEAT.

The carrier name must be previously datafilled in field CARRIER in table OCCNAME.

Datafill

The following table lists the datafill for table KSETFEAT feature PIC.

Field descriptions (Sheet 1 of 2)

Field	Subfield or refinement	Entry	Explanation and action
FEATKEY		see subfields	<i>KSET feature key</i> This field consists of subfields LEN, KEY, and FEAT.
	LEN	see subfields	<i>Line equipment number</i> This field defines the physical location of the equipment that is connected to a specific telephone line. Because field LEN is common to more than 60 tables, it is documented in a single section to avoid unnecessary duplication. Refer to section "Common entry field LEN" for a complete description of field LEN and associated subfields. For ISDN lines, field LEN consists of subfield LTID. For non-ISDN lines, field LEN consists of subfields SITE, FRAME, UNIT, DRAWER or LSG, SHELF, SLOT, and CIRCUIT.
	KEY	1 to 69	<i>Physical key</i> Enter the number associated with the DN appearance to which the feature is being assigned. A maximum of 24 keys can have the feature assigned to them. For M3000 digital telephones, only keys 1 to 6 can be assigned. For M2317 digital telephones, only keys 1 to 11 can be assigned.
	FEAT	PIC	<i>Feature</i> Enter PIC for the Primary Inter-LATA Carrier feature.

KSETFEAT feature PIC (end)**Field descriptions (Sheet 2 of 2)**

Field	Subfield or refinement	Entry	Explanation and action
FEATURE		PIC	<i>Feature</i> Enter PIC.
KVAR		see subfields	<i>Key variable area</i> This field consists of subfields CARRIER and CHOICE.
	CARRIER	alphanumeric (1 to 16 characters)	<i>Carrier</i> Enter the carrier name datafilled in field CARRIER in table OCCNAME that is the PIC of the subscriber.
	CHOICE	Y or N	<i>Choice</i> Enter Y (yes) if the subscriber is allowed to access carriers other than the PIC. Otherwise, enter N (no).

Datafill example

An example of datafill for a DN appearance with feature PIC is shown below.

The LEN of the set is 00 0 02 04 at the host switch, and key 5 is assigned to the DN appearance requiring feature PIC. The PIC is carrier CNA and the subscriber can access other carriers.

MAP display example for table KSETFEAT feature PIC

	FATKEY	FEATURE	KVAR
HOST 00 0 02 04 5	PIC	PIC	CNA Y

KSETFEAT feature PRK

Call Park

For a description of feature PRK, refer to KSETFEAT.

This is a set feature and can also be assigned as a code access feature. If a key is assigned for this feature, the key can be used for both parking calls and retrieving calls.

Datafill

The following table lists the datafill for table KSETFEAT feature PRK.

Field descriptions

Field	Subfield or refinement	Entry	Explanation and action
FEATKEY		see subfields	<i>KSET feature key</i> This field consists of subfields LEN, KEY, and FEAT.
	LEN	see subfields	<i>Line equipment number</i> This field defines the physical location of the equipment that is connected to a specific telephone line. Because field LEN is common to more than 60 tables, it is documented in a single section to avoid unnecessary duplication. Refer to section "Common entry field LEN" for a complete description of field LEN and associated subfields. For ISDN lines, field LEN consists of subfield LTID. For non-ISDN lines, field LEN consists of subfields SITE, FRAME, UNIT, DRAWER or LSG, SHELF, SLOT, and CIRCUIT.
	KEY	1 to 69	<i>Physical key</i> Enter the number associated with the physical key to which the feature is being assigned. For code access features, the physical key is key 1, which is the primary directory number (PDN) key. For M3000 digital telephones, only key 17 can be assigned. For M2317 digital telephones, only key 12 can be assigned.
	FEAT	PRK	<i>Feature</i> Enter PRK for the Call Park feature.
FEATURE		PRK	<i>Feature</i> Enter PRK.

KSETFEAT feature PRK (end)

Datafill example

The following example shows sample datafill for table KSETFEAT feature PRK.

It is an example of datafill for feature PRK assigned to key 6 of a set with the LEN of 00 0 02 04 at the host switching unit.

MAP display example for table KSETFEAT feature PRK

	FPEATKEY	FEATURE	KVAR
HOST 00 0 02 04 6	PARK	PARK	

KSETFEAT feature PRL

Privacy Release

For a description of feature PRL, refer to KSETFEAT.

This is a set feature that is only applicable to business set Multiple Appearance Directory Number (MADN) single call arrangement (SCA) members and must be assigned to a key, however, it does not require the association of a lamp with they key. This feature is not valid for data units (DU).

The following information is required for each key with the Privacy Release feature:

- if the set is remote, the site name of the remote location
- the line equipment number (LEN) of the set to which the key with the feature is assigned

Datafill

The following table lists the datafill for table KSETFEAT feature PRL.

Field descriptions (Sheet 1 of 2)

Field	Subfield or refinement	Entry	Explanation and action
FEATKEY		see subfields	<i>KSET feature key</i> This field consists of subfields LEN, KEY, and FEAT.
	LEN	see subfields	<i>Line equipment number</i> This field defines the physical location of the equipment that is connected to a specific telephone line. Because field LEN is common to more than 60 tables, it is documented in a single section to avoid unnecessary duplication. Refer to section "Common entry field LEN" for a complete description of field LEN and associated subfields. For ISDN lines, field LEN consists of subfield LTID. For non-ISDN lines, field LEN consists of subfields SITE, FRAME, UNIT, DRAWER or LSG, SHELF, SLOT, and CIRCUIT.

KSETFEAT feature PRL (end)**Field descriptions (Sheet 2 of 2)**

Field	Subfield or refinement	Entry	Explanation and action
	KEY	1 to 69	<i>Physical key</i> Enter the number associated with the physical key to which the feature is being assigned. For M3000 digital telephones, only key 15 can be assigned. For M2317 digital telephones, only key 20 can be assigned.
	FEAT	PRL	<i>Feature</i> Enter PRL for the Privacy Release feature.
FEATURE		PRL	<i>Feature</i> Enter PRL.

Datafill example

There is no example for feature PRL.

KSETFEAT feature PRV

Privacy

For a description of feature PRV, refer to KSETFEAT.

The following information is required for each key with the Privacy feature:

- if the set is remote, the site name of the remote location
- the line equipment number (LEN) of the set to which the key with the feature is assigned

Feature PRV is a set feature that is only applicable to business set Multiple Appearance Directory Number (MADN) single-bridge arrangement (SBA) members and must be assigned to a vacant key (no lamp required) if key activation is desired.

Datafill

The following table lists the datafill for table KSETFEAT feature PRV.

Field descriptions (Sheet 1 of 2)

Field	Subfield or refinement	Entry	Explanation and action
FEATKEY		see subfields	<i>KSET feature key</i> This field consists of subfields LEN, KEY, and FEAT.
	LEN	see subfields	<i>Line equipment number</i> This field defines the physical location of the equipment that is connected to a specific telephone line. Because field LEN is common to more than 60 tables, it is documented in a single section to avoid unnecessary duplication. Refer to section "Common entry field LEN" for a complete description of field LEN and associated subfields. For ISDN lines, field LEN consists of subfield LTID. For non-ISDN lines, field LEN consists of subfields SITE, FRAME, UNIT, DRAWER or LSG, SHELF, SLOT, and CIRCUIT.

KSETFEAT feature PRV (end)**Field descriptions (Sheet 2 of 2)**

Field	Subfield or refinement	Entry	Explanation and action
	KEY	1 to 69	<i>Physical key</i> Enter the number associated with the physical key to which the feature is being assigned. A maximum of 24 keys can have the feature assigned to them. For M3000 and M2317 digital telephones, no key is available for feature PRV. Use code access instead.
	FEAT	PRV	<i>Feature</i> Enter PRV for the Privacy feature.
FEATURE		PRV	<i>Feature</i> Enter PRV.

Datafill example

The following example shows sample datafill for table KSETFEAT feature PRV.

The LEN of the set is 00 0 02 04 at the host switching unit, and key 5 is assigned to the DN appearance requiring feature PRV.

MAP display example for table KSETFEAT feature PRV

	FEATKEY	FEATURE	KVAR
HOST 00 0 02 04 5	PRV	PRV	

KSETFEAT feature QBS

Query Busy Station

For a description of feature QBS, refer to KSETFEAT.

Feature QBS must be assigned to a key with an associated lamp. This is a key feature and more than one key can be assigned feature QBS to monitor several stations.

Datafill

The following table lists the datafill for table KSETFEAT feature QBS .

Field descriptions (Sheet 1 of 2)

Field	Subfield or refinement	Entry	Explanation and action
FEATKEY		see subfields	<i>KSET feature key</i> This field consists of subfields LEN, KEY, and FEAT.
	LEN	see subfields	<i>Line equipment number</i> This field defines the physical location of the equipment that is connected to a specific telephone line. Because field LEN is common to more than 60 tables, it is documented in a single section to avoid unnecessary duplication. Refer to section "Common entry field LEN" for a complete description of field LEN and associated subfields. For ISDN lines, field LEN consists of subfield LTID. For non-ISDN lines, field LEN consists of subfields SITE, FRAME, UNIT, DRAWER or LSG, SHELF, SLOT, and CIRCUIT.
	KEY	1 to 69	<i>Physical key</i> Enter the number associated with the directory number (DN) appearance to which the feature is being assigned.
	FEAT	QBS	<i>Feature</i> Enter QBS for the Query Busy Station feature.
FEATURE		QBS	<i>Feature</i> Enter QBS.

KSETFEAT feature QBS (continued)**Field descriptions (Sheet 2 of 2)**

Field	Subfield or refinement	Entry	Explanation and action
KVAR		see subfields	<i>Key variable area</i> This field consists of subfields MONDLEN and BUZZ.
	MONDLEN	see subfields	<i>Monitored line equipment number</i> This field defines the physical location of the equipment that is connected to a specific telephone line. Because field LEN is common to more than 60 tables, it is documented in a single section to avoid unnecessary duplication. Refer to section "Common entry field LEN" for a complete description of field LEN and associated subfields. For ISDN lines, field LEN consists of subfield LTID. For non-ISDN lines, field LEN consists of subfields SITE, FRAME, UNIT, DRAWER or LSG, SHELF, SLOT, and CIRCUIT.
	BUZZ	Y or N	<i>Buzzer</i> Enter Y (yes) if buzz indication is given. Otherwise, enter N (no).

Datafill example

The following example shows sample datafill for table KSETFEAT feature QBS .

In this example, key 8 from a set with LEN of 00 0 02 04 is assigned feature QBS to monitor another station with LEN of 00 0 04 02. A buzz tone is given if the monitored line is idle.

KSETFEAT feature QBS (end)

MAP display example for table KSETFEAT feature QBS

	FATKEY	FEATURE	KVAR
HOST 00 0 02 04 8	QBS	QBS HOST 00 0 04 02	Y

KSETFEAT feature QCK

Quick Conference Key

For a description of feature QCK, refer to KSETFEAT.

Datafill

The following table lists the datafill for table KSETFEAT feature QCK.

Field descriptions

Field	Subfield or refinement	Entry	Explanation and action
FEATKEY		see subfields	<i>KSET feature key</i> This field consists of subfields LEN, KEY, and FEAT.
	LEN	see subfields	<i>Line equipment number</i> This field defines the physical location of the equipment that is connected to a specific telephone line. Because field LEN is common to more than 60 tables, it is documented in a single section to avoid unnecessary duplication. Refer to section "Common entry field LEN" for a complete description of field LEN and associated subfields. For ISDN lines, field LEN consists of subfield LTID. For non-ISDN lines, field LEN consists of subfields SITE, FRAME, UNIT, DRAWER or LSG, SHELF, SLOT, and CIRCUIT.
	KEY	1 to 69	<i>Physical key</i> Enter the number associated with the DN appearance to which the feature is being assigned.
	FEAT	QCK	<i>Feature</i> Enter QCK for the Quick Conference Key feature.
FEATURE		QCK	<i>Feature</i> Enter QCK.
KVAR		see subfield	<i>Key variable area</i> This field consists of subfield USERPGM.
	USERPGM	Y or N	<i>User program</i> Enter Y (yes) to custom program the value of field RESULT in table KSETQCK. Enter N (no) to datafill field RESULT if the Service Order System (SERVORD) or table control is used.

KSETFEAT feature QCK (end)

Datafill example

The following example shows sample datafill for table KSETFEAT feature QCK.

The feature is assigned to key 8 of a set with the LEN of 00 0 02 04. Field RESULT in table KSETQCK can be customized.

MAP display example for table KSETFEAT feature QCK

	FEATKEY	FEATURE	KVAR
HOST	00 0 02 04 5	QCK	QCK Y

KSETFEAT feature QTD

Query Time and Date

For a description of feature QTD, refer to KSETFEAT.

This is a set feature and can only be assigned to sets with a display. A lamp is not required.

Datafill

The following table lists the datafill for table KSETFEAT feature QTD.

Field descriptions

Field	Subfield or refinement	Entry	Explanation and action
FEATKEY		see subfields	<i>KSET feature key</i> This field consists of subfields LEN, KEY, and FEAT.
	LEN	see subfields	<i>Line equipment number</i> This field defines the physical location of the equipment that is connected to a specific telephone line. Because field LEN is common to more than 60 tables, it is documented in a single section to avoid unnecessary duplication. Refer to section "Common entry field LEN" for a complete description of field LEN and associated subfields. For ISDN lines, field LEN consists of subfield LTID. For non-ISDN lines, field LEN consists of subfields SITE, FRAME, UNIT, DRAWER or LSG, SHELF, SLOT, and CIRCUIT.
	KEY	1 to 69	<i>Physical key</i> Enter the number associated with the physical key to which the feature is being assigned.
	FEAT	QTD	<i>Feature</i> Enter QTD for the Query Time and Date feature.
FEATURE		QTD	<i>Feature</i> Enter QTD.

Datafill example

There is no example for feature QTD.

KSETFEAT feature RAG

Ring Again

This is a set feature and must be assigned to a vacant key.

The following information is required for each line with the Ring Again feature:

- if the set is remote, the site name of the remote location
- the key number and the line equipment number (LEN) of the set to which the feature is assigned

Datafill

The following table lists the datafill for table KSETFEAT feature RAG.

Field descriptions (Sheet 1 of 2)

Field	Subfield or refinement	Entry	Explanation and action
FEATKEY		see subfields	<i>KSET feature key</i> This field consists of subfields LEN, KEY, and FEAT.
	LEN	see subfields	<i>Line equipment number</i> This field defines the physical location of the equipment that is connected to a specific telephone line. Because field LEN is common to more than 60 tables, it is documented in a single section to avoid unnecessary duplication. Refer to section "Common entry field LEN" for a complete description of field LEN and associated subfields. For ISDN lines, field LEN consists of subfield LTID. For non-ISDN lines, field LEN consists of subfields SITE, FRAME, UNIT, DRAWER or LSG, SHELF, SLOT, and CIRCUIT.
	KEY	1 to 69	<i>Physical key</i> Enter the number associated with the physical key to which the feature is being assigned. For M3000 digital telephones, only key 14 can be assigned. For M2317 digital telephones, only key 19 can be assigned.

KSETFEAT feature RAG (end)

Field descriptions (Sheet 2 of 2)

Field	Subfield or refinement	Entry	Explanation and action
	FEAT	RAG	<i>Feature</i> Enter RAG for the Ring Again feature.
FEATURE		RAG	<i>Feature</i> Enter RAG.

Datafill example

There is no example for feature RAG.

KSETFEAT feature RMB

Random Make Busy

For a description of feature RMB, refer to KSETFEAT.

The following information is required for each line with the Random Make Busy feature:

- if the set is remote, the site name of the remote location
- the line equipment number (LEN) to which the line with the feature is assigned
- the key number of the directory number (DN) appearance to which this feature is assigned
- the physical location of the scan point assigned to the RMB key
- the scan point must belong to one of the scan groups assigned in the table SCGRP

Datfill

The following table lists the datfill for table KSETFEAT feature RMB .

Field descriptions (Sheet 1 of 3)

Field	Subfield or refinement	Entry	Explanation and action
FEATKEY		see subfields	<i>KSET feature key</i> This field consists of subfields LEN, KEY, and FEAT.
	LEN	see subfields	<i>Line equipment number</i> This field defines the physical location of the equipment that is connected to a specific telephone line. Because field LEN is common to more than 60 tables, it is documented in a single section to avoid unnecessary duplication. Refer to section "Common entry field LEN" for a complete description of field LEN and associated subfields. For ISDN lines, field LEN consists of subfield LTID. For non-ISDN lines, field LEN consists of subfields SITE, FRAME, UNIT, DRAWER or LSG, SHELF, SLOT, and CIRCUIT.

KSETFEAT feature RMB (continued)

Field descriptions (Sheet 2 of 3)

Field	Subfield or refinement	Entry	Explanation and action	
FEATURE	KEY	1 to 69	<i>Physical key</i> Enter the number associated with the DN appearance to which the feature is being assigned. For M3000 digital telephones, only keys 1 to 6 can be assigned. For M2317 digital telephones, only keys 1 to 11 can be assigned.	
	FEAT	RMB	<i>Feature</i> Enter RMB for the Random Make Busy feature.	
		RMB	<i>Feature</i> Enter RMB.	
	KVAR	see subfield	<i>Key variable area</i> This field consists of subfield SCANPOINT.	
		SCANPOINT	see subfields	<i>Scan point</i> This field consists of subfields TMTYPE, TMNO, TMCKTNO, POINT, and NORMALST. Separate each subfield with a blank space.
		TMTYPE	MTM, RMM, or RSM	<i>Trunk module type</i> Enter MTM (maintenance trunk module) if the line and scan cards are located at the host switching unit. The scan card is mounted on an MTM. Enter RMM (remote maintenance module) or RSM (remote service module) if the line and scan cards are located at a remote location. The scan card is mounted on either an RMM or an RSM.
		TMNO	0 to 2047	<i>Trunk module number</i> Enter the trunk module number assigned to the trunk module on which the scan card is mounted. If the entry in subfield TMTYPE is MTM, the range is 0 to 255. If the entry in subfield TMTYPE is RSM, the range is 0 to 99.
		TMCKTNO	0 to 29	<i>Trunk module circuit number</i> Enter the trunk module circuit number to which the scan point belongs.

KSETFEAT feature RMB (end)

Field descriptions (Sheet 3 of 3)

Field	Subfield or refinement	Entry	Explanation and action
	POINT	0 to 6	<i>Point</i> Enter the scan point within the trunk module circuit number.
	NORMALST	0 or 1	<i>Normal state</i> Enter the normal state of the scan point. If the scan point is normally off or open, enter 0 (zero). If the scan point is normally on or closed, enter 1.

Datafill example

The following example shows sample datafill for table KSETFEAT feature RMB .

The feature is assigned to DN appearance on key 3 of set with LEN 00 0 02 04 at the host switching unit.

Scan point 5 of the scan group physically located at circuit 14 of MTM 1 is assigned to the RMB key.

MAP display example for table KSETFEAT feature RMB

	FATKEY	FEATURE	KVAR
HOST	00 0 02 04 3	RMB	RMB MTM 1 14 5 0

KSETFEAT feature RSUS

Requested Suspension

For a description of feature RSUS, refer to KSETFEAT.

The following information is required for each line with the Requested Suspension feature:

- if the set is remote, the site name of the remote location
- the key number of the directory number (DN) appearance and the line equipment number (LEN) of the set to which this feature is assigned
- the treatment in subtable TMTCNTL.TREAT, field EXTTMTNM set to LNT to which a line with this feature is routed upon going offhook
- the treatment in subtable TMTCNTL.TREAT, field EXTTMTNM set to LNT, TITRKGRP, or OFFTREAT, to which a line or trunk is routed when attempting to terminate to the line with this feature

If the originator is a line, the line is routed to the treatment field in subtable TMTCNTL.TREAT, field EXTTMTNM set to LNT. If no input has been provided in subtable for the treatment specified, translation defaults to the same treatment in the subtable, field EXTTMTNM set to OFFTREAT.

If the originator is a trunk, the trunk is routed to the treatment in subtable TMTCNTL.TREAT, field EXTTMTNM set to TITRKGRP. If no input has been provided in the subtable for the treatment specified, translation defaults to the same treatment in the subtable with field EXTTMTNM set to OFFTREAT.

KSETFEAT feature RSUS (continued)

Datafill

The following table lists the datafill for table KSETFEAT feature RSUS.

Field descriptions (Sheet 1 of 2)

Field	Subfield or refinement	Entry	Explanation and action
FEATKEY		see subfields	<i>KSET feature key</i> This field consists of subfields LEN, KEY, and FEAT.
	LEN	see subfields	<i>Line equipment number</i> This field defines the physical location of the equipment that is connected to a specific telephone line. Because field LEN is common to more than 60 tables, it is documented in a single section to avoid unnecessary duplication. Refer to section "Common entry field LEN" for a complete description of field LEN and associated subfields. For ISDN lines, field LEN consists of subfield LTID. For non-ISDN lines, field LEN consists of subfields SITE, FRAME, UNIT, DRAWER or LSG, SHELF, SLOT, and CIRCUIT.
	KEY	1 to 69	<i>Physical key</i> Enter the number associated with the directory number (DN) appearance to which the feature is being assigned. For M3000 digital telephones, only keys 1 to 6 can be assigned. For M2317 digital telephones, only keys 1 to 11 can be assigned.
	FEAT	RSUS	<i>Feature</i> Enter RSUS for the Requested Suspension feature.
FEATURE		RSUS	<i>Feature</i> Enter RSUS.
KVAR		see subfields	<i>Key variable area</i> This field consists of subfields OSUS and TSUS.

KSETFEAT feature RSUS (end)**Field descriptions (Sheet 2 of 2)**

Field	Subfield or refinement	Entry	Explanation and action
	OSUS	alphanumeric (1 to 4 characters)	<i>Originating suspension</i> Enter the treatment in subtable TMTCNTL.TREAT, field EXTTMTNM set to the LNT, to which the line is routed when the line goes off-hook.
	TSUS	alphanumeric (1 to 4 characters)	<i>Terminating suspension</i> Enter the treatment in subtable TMTCNTL.TREAT, field EXTTMTNM set to LNT, TITRKGPR, or OFFTREAT, to which a line or trunk is routed when attempting to terminate to a line with the RSUS feature.

Datafill example

The following example shows sample datafill for table KSETFEAT feature RSUS.

The feature is assigned to DN appearance on key 3 of a set with LEN 00 0 02 04 at the host switching unit. The line is routed to originating service suspension (ORSS) treatment in table TMTCNTL.TREAT when the line goes off-hook. A line or trunk that tries to terminate to the line is routed to terminating service suspension (TESS).

MAP display example for table KSETFEAT feature RSUS

	FATKEY	FEATURE	KVAR
HOST	00 0 02 04 2	RSUS	RSUS ORSS TESS

KSETFEAT feature SACB

Subscriber Activated Call Blocking

The Subscriber Activated Code Blocking (SACB) package provides the option SACB for Subscriber Services (RES) lines. With SACB, subscribers can activate and deactivate call blocking, thereby restricting or allowing certain types of calls. Fraud prevention blocking (FPB), FPBALLOW, and SACB suspend (SACBSUS) are added in NA011.

The operating company can suspend a line from originating a call by using SACB. However, the subscriber can activate the feature through star dialing.

All subscribers with FPB are allowed to dial the numbers entered in subfield FPBALLOW in table SACB. The PIN code is not necessary for the FPBALLOW numbers.

The call class FPB cannot be assigned to table SACB. The operating company specifies the digits for use (without a PIN) by the subscribers in the subfield FPBALLOW.

Furthermore, if SACB is activated, subscribers can override call blocking on an individual call basis, leaving call blocking intact for subsequent calls.

As an extra level of security, subscribers must enter both an SACB access code and a personal identification number (PIN) to activate and deactivate blocking of restricted calls.

For a description of feature SACB, refer to the "Subscriber Activated Call Blocking" feature in the RES translations section of the *Translations Guide*.

This feature is available to Residential Enhanced Services (RES) and Meridian Digital Centrex (MDC) lines.

The Fraud Prevention Blocking (FPB) option prevents origination of calls without the entry of a personal identification number (PIN). However, dial digits entered in subfield FPBALLOW in table SACB can originate without a PIN. SACB restricts the dial digits entered in other call classes.

Toll numbers such as 800 and 888 or emergency numbers and repair numbers are calls that might be allowed by datafilling them against FPBALLOW. All other calls are restricted and require a PIN.

A boolean function, SACB suspend (SACBSUS), is included in FPB. SACBSUS can be set to Y or N.

KSETFEAT feature SACB (continued)

SACBSUS set to 'Y' compares the dialed number with numbers entered in the FPBALLOW subfield. If the numbers match, the call is allowed to proceed. If the numbers do not match, a busy treatment results. With SACBSUS as 'Y', feature activation and deactivation is not restricted. However, SACB activation and deactivation is not allowed.

If SACBSUS is set to 'N' and FPB and FPBALLOW are on the line, the dialed digits are compared. If the digits match, the call is allowed to proceed. If the digits do not match, the call is restricted and the PIN is required. If FPB is not on the line, a check is made for other call classes.

SACBSUS must be entered using the Service Order System (SERVORD) for call class FPB

The restricted call classes are specified when the SACB option is added to the subscriber line. SACB is added using SERVORD. SACB is activated or deactivated by an access code. The entry of the PIN assigned to the SACB feature activates or deactivates the option. Refer to "Activation/deactivation by the End User" in the SACB section of the *Translations Guide*.

Note: emergency calls such as 911 or 0- complete without regard for the SACB restrictions assigned to the subscriber line provided they are datafilled in subfield FPBALLOW.

KSETFEAT feature SACB (continued)**Datafill**

The following table lists the datafill for table KSETFEAT feature SACB.

Field descriptions (Sheet 1 of 2)

Field	Subfield	Entry	Explanation and action
FEATKEY		see subfields	<i>KSET feature key</i> This field consists of subfields LEN, KEY, and FEAT.
	LEN	see subfields	<i>Line equipment number</i> This field defines the physical location of the equipment that is connected to a specific telephone line. Because field LEN is common to more than 60 tables, it is documented in a single section to avoid unnecessary duplication. Refer to section "Common entry field LEN" for a complete description of field LEN and associated subfields. For ISDN lines, field LEN consists of subfield LTID. For non-ISDN lines, field LEN consists of subfields SITE, FRAME, UNIT, DRAWER or LSG, SHELF, SLOT, and CIRCUIT.
	KEY	1 to 69	<i>Physical key</i> Enter the number associated with the SACB feature.
	FEAT	SACB	<i>Feature</i> Enter SACB for the Subscriber-activated Call Blocking feature.
FEATURE		SACB	<i>Feature</i> Enter SACB.
KVAR		see subfields	<i>Key variable area</i> This field consists of subfields STATUS, SACBCC, SACBPIN, and SACBSUS.

KSETFEAT feature SACB (end)**Field descriptions (Sheet 2 of 2)**

Field	Subfield	Entry	Explanation and action
	STATUS	ACT, INACT	<p><i>Status</i></p> <p>Enter ACT to indicate that the SACB feature is active.</p> <p>Enter INACT to indicate that the SACB feature is not active.</p>
	SACBCC	alphanumeric (up to 10 characters) ALL, FPB, NONE	<p><i>Subscriber-activated call blocking call class</i></p> <p>Enter a set of North American call classes or the entry ALL, FPB or NONE.</p> <p>If all call classes are included, enter ALL.</p> <p>If no call classes are included, enter NONE.</p>
	SACBPIN	non-hex digits (up to 10 digits)	<p><i>SACB personal identification number</i></p> <p>Enter the SACB personal identification number (PIN).</p>
	SACBSUS	Y N	<p><i>SACB suspend a line</i></p> <p>A boolean function. Enter Y to suspend a line. The STATUS field must be set to ACT, to prevent an error condition and message. If SACB is already provisioned on a line, setting SACBSUS to Y allows the operating company to add existing SACB call classes. This procedure is suggested to keep the existing SACBCCs on the line.</p> <p>The default value is 'N'.</p>

Datafill example

The following example shows sample datafill for table KSETFEAT feature SACB.

MAP display example for table KSETFEAT feature SACB

FATKEY	LEN	FEATURE	KVAR
HOST	00 0 02 04 2	SACB SACB	ACT ALL N 12345

KSETFEAT feature SCF

Selective Call Forwarding

For a description of feature SCF, refer to KSETFEAT.

Datafill

The following table lists the datafill for table KSETFEAT feature SCF.

Field descriptions (Sheet 1 of 2)

Field	Subfield or refinement	Entry	Explanation and action
FEATKEY		see subfields	<i>KSET feature key</i> This field consists of subfields LEN, KEY, and FEAT.
	LEN	see subfields	<i>Line equipment number</i> This field defines the physical location of the equipment that is connected to a specific telephone line. Because field LEN is common to more than 60 tables, it is documented in a single section to avoid unnecessary duplication. Refer to section "Common entry field LEN" for a complete description of field LEN and associated subfields. For ISDN lines, field LEN consists of subfield LTID. For non-ISDN lines, field LEN consists of subfields SITE, FRAME, UNIT, DRAWER or LSG, SHELF, SLOT, and CIRCUIT.
	KEY	1 to 69	<i>Physical key</i> Enter the number associated with the DN appearance to which the feature is being assigned. For M3000 digital telephones, only keys 1 to 6 can be assigned. For M2317 digital telephones, only keys 1 to 11 can be assigned.
	FEAT	SCF	<i>Feature</i> Enter SCF for the Selective Call Forwarding feature.
FEATURE		CFX	<i>Feature</i> Enter SCF.
KVAR		see subfields	<i>Key variable area</i> This field consists of subfield CFXOPTS.

KSETFEAT feature SCF (end)**Field descriptions (Sheet 2 of 2)**

Field	Subfield or refinement	Entry	Explanation and action
	CFXOPTS	Y or N	<i>Call Forwarding options</i> This field indicates whether call forwarding options are selected. Enter Y (yes) if feature SCF is assigned to a line. Otherwise, enter N (no).
	SCFOPT	Y or N	<i>Selective Call Forwarding option</i> Enter Y if feature SCF is available on the line and datafill refinement RINGMEM. Otherwise, enter N.
	RINGREM	NANORINGor RING	<i>Ring reminder</i> If the entry in field SCFOPT is Y, datafill this refinement to indicate whether a ring splash is applied to the base station when a call is forwarded. Enter NA if the ring reminder value of the customer group is used (field CFXFEAT of table CUSTSTN). Enter NORING to suppress the ring reminder. Enter RING to send a ring reminder.

Datafill example

There is no example for feature SCF.

KSETFEAT feature SCL

Speed Calling Long List

For a description of feature SCL, refer to KSETFEAT.

This is a set feature. It can also be assigned as a code access feature.

For each set with the SCL feature, the following information is required:

- for a remote set, site name of the remote location
- if assigned to a vacant key, the number of the key to which SCL is assigned
- the line equipment number (LEN) of the set to which the feature is assigned
- quantity of numbers that can be added to the speed calling list

Note: If needed, the speed calling user group can be added.

Datafill

The following table lists the datafill for table KSETFEAT feature SCL.

Field descriptions (Sheet 1 of 2)

Field	Subfield or refinement	Entry	Explanation and action
FEATKEY		see subfields	<i>KSET feature key</i> This field consists of subfields LEN, KEY, and FEAT.
	LEN	see subfields	<i>Line equipment number</i> This field defines the physical location of the equipment that is connected to a specific telephone line. Because field LEN is common to more than 60 tables, it is documented in a single section to avoid unnecessary duplication. Refer to section "Common entry field LEN" for a complete description of field LEN and associated subfields. For ISDN lines, field LEN consists of subfield LTID. For non-ISDN lines, field LEN consists of subfields SITE, FRAME, UNIT, DRAWER or LSG, SHELF, SLOT, and CIRCUIT.

KSETFEAT feature SCL (continued)**Field descriptions (Sheet 2 of 2)**

Field	Subfield or refinement	Entry	Explanation and action
FEATURE	KEY	1 to 69	<i>Physical key</i> Enter the number associated with the physical key for the feature assigned. For code access features, the feature is assigned to key 1, the primary directory number (PDN) key. For M3000 digital telephones, only key 9 can be assigned. For M2317 digital telephones, only key 15 can be assigned.
	FEAT	SCL	<i>Feature</i> Enter SCL for the Speed Calling Long List feature.
		SCL	<i>Feature</i> Enter SCL. The auxiliary data feature, GRP, displays under this field if group number feature control is activated. The GRP data feature is used to store the central processing unit (CPU) group number information in a tuple that is linked to the display of information about a specific line equipment number (LEN).
KVAR		see subfields	<i>Key variable area</i> This field consists of subfield LISTTYPE.
	LISTTYPE	L30, L50, or L70	<i>List type</i> Enter the quantity of numbers that can be entered into the speed calling list by the line with feature SCL: L30 (30), L50 (50), or L70 (70).
	GRP_NUM (-BCS34)	numeric (1 to 30000 or 0 to 32767)	<i>Speed Calling User group number</i> Enter the SCU group number: 1 to 30000 for an NT40 DMS-100 switch, or 0 to 32767 for a DMS SuperNode switch.

Datafill example

The following example shows sample datafill for table KSETFEAT feature SCL.

The feature is assigned as an code access, key number 5, to a set with the LEN 00 0 02 04 at the host switching unit.

Fifty numbers can be assigned to the speed calling list at the set. The set belongs to SCU group 25.

KSETFEAT feature SCL (end)

MAP display example for table KSETFEAT feature SCL

		FEATKEY	FEATURE	KVAR
HOST	00 0 02 04 5	SCL	SCL	L50

KSETFEAT feature SCS

Speed Calling Short List

For a description of feature SCS, refer to KSETFEAT.

This is a set feature and it can be assigned as code access feature.

For each set with the SCS feature, the following information is required:

- if the line is remote, the site name of the remote location
- the key number, if assigned to a key, and the line equipment number (LEN) to which the line with the feature is assigned

Datafill

The following table lists the datafill for table KSETFEAT feature SCS.

Field descriptions (Sheet 1 of 2)

Field	Subfield or refinement	Entry	Explanation and action
FEATKEY		see subfields	<i>KSET feature key</i> This field consists of subfields LEN, KEY, and FEAT.
	LEN	see subfields	<i>Line equipment number</i> This field defines the physical location of the equipment that is connected to a specific telephone line. Because field LEN is common to more than 60 tables, it is documented in a single section to avoid unnecessary duplication. Refer to section "Common entry field LEN" for a complete description of field LEN and associated subfields. For ISDN lines, field LEN consists of subfield LTID. For non-ISDN lines, field LEN consists of subfields SITE, FRAME, UNIT, DRAWER or LSG, SHELF, SLOT, and CIRCUIT.
	KEY	1 to 69	<i>Physical key</i> Enter the number associated with the physical key to which the feature is being assigned. For code access features, the feature is assigned to key 1, which is the primary DN key. For M3000 digital telephones, only key 9 can be assigned. For M2317 digital telephones, only key 15 can be assigned.

KSETFEAT feature SCS (end)

Field descriptions (Sheet 2 of 2)

Field	Subfield or refinement	Entry	Explanation and action
	FEAT	SCS	<i>Feature</i> Enter SCS for the Speed Calling Short List feature.
FEATURE		SCS	<i>Feature</i> Enter SCS.

Datafill example

There is no example for feature SCS.

KSETFEAT feature SDY

AT&T Line Study

For a description of feature SDY, refer to KSETFEAT.

This is a DN feature and is assigned to keys associated with DN appearances that require this feature.

Datafill

The following table lists the datafill for table KSETFEAT feature SDY.

Field descriptions (Sheet 1 of 2)

Field	Subfield or refinement	Entry	Explanation and action
FEATKEY		see subfields	<i>KSET feature key</i> This field consists of subfields LEN, KEY, and FEAT.
	LEN	see subfields	<i>Line equipment number</i> This field defines the physical location of the equipment that is connected to a specific telephone line. Because field LEN is common to more than 60 tables, it is documented in a single section to avoid unnecessary duplication. Refer to section "Common entry field LEN" for a complete description of field LEN and associated subfields. For ISDN lines, field LEN consists of subfield LTID. For non-ISDN lines, field LEN consists of subfields SITE, FRAME, UNIT, DRAWER or LSG, SHELF, SLOT, and CIRCUIT.
	KEY	1 to 69	<i>Physical key</i> Enter the number associated with the directory number (DN) appearance to which the feature is assigned. For M3000 digital telephones, only keys 1 to 6 can be used. For M2317 digital telephones, only keys 1 to 11 can be used. For ISDN terminals, only keys 1 to 64 can be used.

KSETFEAT feature SDY (end)

Field descriptions (Sheet 2 of 2)

Field	Subfield or refinement	Entry	Explanation and action
FEATURE	FEAT	SDY	<i>Feature</i> Enter SDY for the AT&T Line Study feature assigned to the DN appearance.
		SDY	<i>Feature</i> Enter SDY.
KVAR		see subfields	<i>Key variable area</i> This field consists of subfields OBS and LUS.
	OBS	Y or N	<i>Complaint observed study</i> Enter Y (yes) if the Complaint Observed Study feature is enabled on the line. Otherwise, enter N (no).
	LUS	Y or N	<i>Line usage study</i> Enter Y if the Line Usage Study feature is enabled on the line. Otherwise, enter N.

Datafill example

An example of datafill for a DN appearance with the AT&T Line Study feature is shown below.

The LEN of the set is 00 0 12 05 at the host switching unit and the key assigned to the DN appearance requiring this feature is 4.

OBS and LUS are both required.

MAP display example for table KSETFEAT feature SDY

	FHOST	LEN	KEY	FHOST	KEY	FEATURE	KVAR
HOST	00	0	12	05	4	MSB	SDY Y Y

KSETFEAT feature SEC

Security Code

For a description of feature SEC, refer to KSETFEAT.

This is a directory number (DN) feature and is assigned to keys of DN as required. A security code must be supplied or the feature is not activated.

Datafill

The following table lists the datafill for table KSETFEAT feature SEC.

Field descriptions (Sheet 1 of 2)

Field	Subfield or refinement	Entry	Explanation and action
FEATKEY		see subfields	<i>KSET feature key</i> This field consists of subfields LEN, KEY, and FEAT.
	LEN	see subfields	<i>Line equipment number</i> This field defines the physical location of the equipment that is connected to a specific telephone line. Because field LEN is common to more than 60 tables, it is documented in a single section to avoid unnecessary duplication. Refer to section "Common entry field LEN" for a complete description of field LEN and associated subfields. For ISDN lines, field LEN consists of subfield LTID. For non-ISDN lines, field LEN consists of subfields SITE, FRAME, UNIT, DRAWER or LSG, SHELF, SLOT, and CIRCUIT.
	KEY	1 to 69	<i>Physical key</i> Enter the number associated with the directory number (DN) appearance to which the feature is being assigned. For M3000 digital telephones, only keys 1 to 6 can be assigned. For M2317 digital telephones, only keys 1 to 11 can be assigned.
	FEAT	SEC	<i>Feature</i> Enter SEC for the Security Code feature.
Note: SEC cannot be added to MFT sets.			

KSETFEAT feature SEC (end)

Field descriptions (Sheet 2 of 2)

Field	Subfield or refinement	Entry	Explanation and action
FEATURE		SEC	<i>Feature</i> Enter SEC.
KVAR		see subfields	<i>Key variable area</i> This field consists of subfields FEATURES and SECCODE.
	FEATURES	alphanumeric (up to 8 characters)	<i>Features</i> Enter up to ten features that the security code is assigned to.
	SECCODE	0 to 9 (up to 7 digits)	<i>Security code</i> Enter the security code required.

Note: SEC cannot be added to MFT sets.

Datavill example

The following example shows sample datafill for table KSETFEAT feature SEC.

The feature is assigned to key 5 of a set with LEN 00 0 02 04 at the host switching unit.

Feature SEC is required for the Directed Call Park feature (DCPK).

Security code 334455 is required to retrieve calls parked to this line by the Directed Call Park feature.

MAP display example for table KSETFEAT feature SEC

		FATKEY		FEATURE		KVAR
HOST	00 0 02 04	2	SEC	SEC	334455	

KSETFEAT feature SHU

Stop Hunt

For a description of feature SHU, refer to KSETFEAT.

This is a directory number (DN) feature and is assigned to keys of DN appearances that require a peg count of all originating and terminating calls. The feature must first be added to the subscriber line usage (SLU) tables.

The following information is required for each line with the Stop Hunt feature:

- if the set is remote, the site name of the remote location
- the key number of the DN appearance and line equipment number (LEN) of the set to which the feature is assigned
- the scan point assigned to the stop hunt key and its physical location. The scan point must belong to one of the scan groups assigned in table SCGRP.

Datafill

The following table lists the datafill for table KSETFEAT feature SHU.

Field descriptions (Sheet 1 of 3)

Field	Subfield or refinement	Entry	Explanation and action
FEATKEY		see subfields	<i>KSET feature key</i> This field consists of subfields LEN, KEY, and FEAT.
	LEN	see subfields	<i>Line equipment number</i> This field defines the physical location of the equipment that is connected to a specific telephone line. Because field LEN is common to more than 60 tables, it is documented in a single section to avoid unnecessary duplication. Refer to section "Common entry field LEN" for a complete description of field LEN and associated subfields. For ISDN lines, field LEN consists of subfield LTID. For non-ISDN lines, field LEN consists of subfields SITE, FRAME, UNIT, DRAWER or LSG, SHELF, SLOT, and CIRCUIT.

KSETFEAT feature SHU (continued)

Field descriptions (Sheet 2 of 3)

Field	Subfield or refinement	Entry	Explanation and action
	KEY	1 to 69	<i>Physical key</i> Enter the number associated with the DN appearance to which the feature is being assigned. For M3000 digital telephones, only keys 1 to 6 can be assigned. For M2317 digital telephones, only keys 1 to 11 can be assigned.
	FEAT	SHU	<i>Feature</i> Enter SHU for the Stop Hunt feature.
FEATURE		SHU	<i>Feature</i> Enter SHU.
KVAR		see subfields	<i>Key variable area</i> This field consists of subfield SCANPOINT.
	SCANPOINT	see subfield	<i>Scan point</i> This field consists of subfields TMTYPE, TMNO, TMCKTNO, POINT, and NORMALST. Separate each subfield with a space.
	TMTYPE	MTM, RMM, or RSM	<i>Trunk module type</i> Enter MTM (maintenance trunk module) if the line and scan cards are located at the host switching unit. The scan card is mounted on an MTM. Enter RMM (remote maintenance module) or RSM (remote service module) if the line and scan cards are located at a remote location. The scan card is mounted on either an RMM or an RSM.
	TMNO	0 to 2047	<i>Trunk module number</i> Enter the trunk module number assigned to the trunk module on which the scan card is mounted. If the entry in subfield TMTYPE is MTM, the range is 0 to 255. If the entry in subfield TMTYPE is RSM, the range is 0 to 99.
	TMCKTNO	0 to 29	<i>Trunk module circuit number</i> Enter the trunk module circuit number to which the scan point belongs.

KSETFEAT feature SHU (end)**Field descriptions (Sheet 3 of 3)**

Field	Subfield or refinement	Entry	Explanation and action
	POINT	0 to 6	<i>Point</i> Enter the scan point within the trunk module circuit number.
	NORMALST	0 to 1	<i>Normal state</i> Enter the normal state of the scan point. If the scan point is normally off or open, enter 0 (zero). If the scan point is normally on or closed, enter 1.

Datafill example

The following example shows sample datafill for table KSETFEAT feature SHU.

The line feature is assigned to DN appearance on key 3 on a set with LEN 00 0 02 04 at remote site MERV.

The key is assigned to scan point 0 of the scan group that is located at circuit 16 on the remote service module number 0 as remote location with site name MERV.

MAP display example for table KSETFEAT feature SHU

	FATKEY	FEATURE	KVAR
HOST 00 0 02 04 3	SHU	SHU RSM 0 16 0 0	

KSETFEAT feature SimRing

Simultaneous Ringing

The Residential Enhanced Services (RES) Simultaneous Ringing (SimRing) feature introduces the SIMRING line option. The SimRing feature allows simultaneous alerting of a user-defined group of up to five directory numbers (DN). This simultaneous alert occurs when the pilot DN (PDN) of the group receives a call. The first alerted DN that answers the call connects to the calling party. At the same time, the calls to the other alerted DNs are released.

SimRing group members other than the PDN are referred to as non-pilot member DNs (NPMDN). A SimRing group consists of a single PDN and up to four NPMDNs.

A SimRing subscriber can do the following through the SimRing user interface:

- activate or deactivate the SimRing feature on a line
- edit the NPMDN list

The SimRing subscriber can perform these tasks either locally from the PDN or remotely from any other DN. During remote access to the SimRing user interface, the switch prompts the subscriber to enter a personal identification number (PIN) for security reasons.

Datfill

The following table lists the datfill for table KSETFEAT feature SimRing.

Field descriptions

Field	Subfield or refinement	Entry	Explanation and action
FEATKEY		see subfields	KSET feature key. This field consists of subfields LEN, KEY, and FEAT.
	LEN	see subfields	<p>Line equipment number. This field defines the physical location of the equipment connected to a telephone line.</p> <p>Field LEN is common to more than 60 tables. This field is documented in a single section to avoid unnecessary duplication. Refer to section "Common entry field LEN" for a complete description of field LEN and associated subfields.</p> <p>For ISDN lines, field LEN consists of subfield LTID. For non-ISDN lines, field LEN consists of subfields SITE, FRAME, UNIT, DRAWER or LSG, SHELF, SLOT, and CIRCUIT.</p>
	KEY	2 to 69	Physical key. Enter the number associated with the physical key to which the feature is being assigned. Assign a key without a lamp so that keys with lamps are reserved for features that require a lamp.
	FEAT	SIMRING	Feature. Enter SIMRING for the Simultaneous Ringing feature.
FEATURE		SIMRING	Feature. Enter SIMRING for the Simultaneous Ringing feature.
KVAR		see subfields	Key variable area. This field consists of subfields GRPKEY, STATE, and PIN.
	GRPKEY	numeric (0 to 9999)	<p>Group key. This subfield specifies the value for the index of the SimRing group. It allows mapping into table PILOTGRP.</p> <p>Note: Table PILOTGRP contains the information that defines all SimRing groups on a switch. This information includes the NPMDNs for each group.</p>

Field descriptions

Field	Subfield or refinement	Entry	Explanation and action
	STATE	ACT or INACT	State. This subfield specifies the state of the SimRing feature (active or inactive). If the SimRing feature is active, the switch alerts the SimRing group when the PDN receives an incoming call.
	PIN	numeric (2 to 10 characters)	Personal identification number. this field specifies the SimRing PIN value. Note: The value of subfield PIN does not display. The value appears as a dollar sign (\$) character.
	MEM_REDIR	Y or N	SimRing Deny Redirection Y assigned to this subfield of the simring group option indicates that NPMDN terminators with active call forwarding are allowed to redirect calls. N assigned to this subfield of the simring group option indicates that NPMDN terminators are not allowed to redirect calls.

Datafill example

The following example shows sample datafill for table KSETFEAT feature SimRing.

MAP display example for table KSETFEAT feature SimRing

FEATKEY	FEATURE	KVAR
HOST 01 0 01 00 0	SIMRING	SIMRING 0 ACT N \$

MAP display example for table KSETFEAT feature SimRing showing the redirection option

```
LEN DNNO DF FEATURE DATA
-----
> pos HOST 1 0 1 simring
HOST 01 0 01 00 0 SIMRING SIMRING 0 ACT Y$
> cha
MACHINES NOT IN SYNC - DMOS NOT ALLOWED
JOURNAL FILE UNAVAILABLE - DMOS NOT ALLOWED
ENTER Y TO CONTINUE PROCESSING OR N TO QUIT
> y
FEATURE: SIMRING
>
GRPKEY: 0
>
STATE: ACT
>
MEM_REDIR: Y
> x
*** ERROR***
X
|
TYPE OF MEM-REDIR IS YES_NO
> x
*** ERROR ***
X
|
TYPE OF MEM_REDIR IS YES_NO
TYPE IS YES_NO {N,Y}
MEM_REDIR: Y
> n
PIN: $
>
TUPLE TO BE CHANGED:
HOST 01 0 01 00 0 SIMRING SIMRING 0 ACT N $
ENTER Y TO CONFIRM, N TO REJECT OR E TO EDIT.
> y
TUPLE CHANGED:
JOURNAL FILE INACTIVE
```

Table history

SN07 (TDM)

Added a new subfield MEM_REDIR to the SimRing group option to support activity A00003073. Documentation updated at SN08 (DMS).

KSETFEAT feature SLQ

Single Line Queue

For a description of feature SLQ, refer to KSETFEAT.

The SLQ feature can be added to Meridian business sets (MBS) to allow end users the ability to queue calls against a single directory number (DN). Upon calling a line with SLQ active, the callers hears audible ringing, audible announcement, or busy treatment if there is no available queue slots and no overflow route available.

Datafill

The following table lists the datafill for table KSETFEAT feature SLQ.

Field descriptions (Sheet 1 of 3)

Field	Subfield or refinement	Entry	Explanation and action
FEATKEY		see subfields	<i>KSET feature key</i> This field consists of subfields LEN, KEY, and FEAT.
	LEN	see subfields	<i>Line equipment number</i> This field defines the physical location of the equipment that is connected to a specific telephone line. Because field LEN is common to more than 60 tables, it is documented in a single section to avoid unnecessary duplication. Refer to section "Common entry field LEN" for a complete description of field LEN and associated subfields. For ISDN lines, field LEN consists of subfield LTID. For non-ISDN lines, field LEN consists of subfields SITE, FRAME, UNIT, DRAWER or LSG, SHELF, SLOT, and CIRCUIT.
	KEY	numeric	<i>Physical key</i> Enter the number associated with the physical key for the SLQ feature.
	FEAT	SLQ	<i>Feature</i> Enter SLQ for the Single Line Queue feature.
FEATURE		SLQ	<i>Feature</i> Enter SLQ.

KSETFEAT feature SLQ (continued)

Field descriptions (Sheet 2 of 3)

Field	Subfield or refinement	Entry	Explanation and action
KVAR		see subfields	<i>Key variable area</i> This field consists of subfields DBG, MAX_CALLQ_SIZE, SLQAUDIO, and OVTYPE.
	DBG	Y or N	<i>Delayed billing</i> Enter Y to start the billing when the call is answered by the SLQ agent. Enter N to start billing when the call enters the queue.
	MAX_CALLQ_SIZE	0 to 15	<i>Queue size</i> Enter the number of calls to be allowed in the queue.
	SLQAUDIO	Y or N	<i>Single Line Queue Audio</i> Enter Y to allow the caller to receive an announcement or music. If Y is chosen, subfields RANTH and AUDIOGRP appear. Otherwise, enter N.
	RANTH	0 or 6 to 60	<i>Ring time</i> Enter the length of time in seconds before the caller hears the delay announcement or music.
	AUDIOGRP	AUDIO1 to AUDIO512	<i>Audio group</i> This field specifies the announcement from table AUDIO.
	OVTYPE	N, R, or D	<i>Overflow route type</i> Enter R for an overflow route, D for an overflow DN, or N for none. If R is chosen, subfield TABID appears. If D is chosen, subfield OVDN appears.
	TABID	OFRT, IBNRT4, IBNRT3, IBNRT2, IBNRTE, RRTE, TTL4, OFR4, OFR3, or OFR2	<i>Table ID</i> If the entry in subfield OVTYPE is R, enter the table name to which calls are routed.

KSETFEAT feature SLQ (end)**Field descriptions (Sheet 3 of 3)**

Field	Subfield or refinement	Entry	Explanation and action
	OVDN	numeric (1 to 11 digits)	<i>Overflow directory number</i> If the entry in subfield OVTYPE is D, enter the number to which calls are routed.
	KEYLIST	1 to 69	<i>Key list</i> Enter the key to which the SLQ feature is assigned.

Datafill example

The following example shows sample datafill for table KSETFEAT feature SLQ.

The feature queue size threshold is 10, delayed billing is set to Y, and the callers hears an announcement. In the following example, the AUDIOGRP is AUDIO1, and the overflow route is IBNRTE 1.

MAP display example for table KSETFEAT feature SLQ

FEATKEY	FEATURE	KVAR
HOST 00 0 08 05 5		
	SLQ	
	SLQ Y 10 Y 8 AUDIO1 R IBNRTE 1 1	

KSETFEAT feature SLU

Subscribers Line Usage

For a description of feature SLU, refer to KSETFEAT.

This is a directory number (DN) feature that is assigned to keys of DN appearances.

The following information is required for DN appearance with feature SLU:

- if the set is remote, the site name of the remote location
- the key number of the DN appearance and the line equipment number (LEN) of the set to which the feature is assigned

Datafill

The following table lists the datafill for table KSETFEAT feature SLU.

Field descriptions (Sheet 1 of 2)

Field	Subfield or refinement	Entry	Explanation and action
FEATKEY		see subfields	<i>KSET feature key</i> This field consists of subfields LEN, KEY, and FEAT.
	LEN	see subfields	<i>Line equipment number</i> This field defines the physical location of the equipment that is connected to a specific telephone line. Because field LEN is common to more than 60 tables, it is documented in a single section to avoid unnecessary duplication. Refer to section "Common entry field LEN" for a complete description of field LEN and associated subfields. For ISDN lines, field LEN consists of subfield LTID. For non-ISDN lines, field LEN consists of subfields SITE, FRAME, UNIT, DRAWER or LSG, SHELF, SLOT, and CIRCUIT.
	KEY	1 to 69	<i>Physical key</i> Enter the number associated with the DN appearance to which the feature is being assigned. For M3000 digital telephones, only keys 1 to 6 can be assigned. For M2317 digital telephones, only keys 1 to 11 can be assigned.

KSETFEAT feature SLU (end)

Field descriptions (Sheet 2 of 2)

Field	Subfield or refinement	Entry	Explanation and action
	FEAT	SLU	<i>Feature</i> Enter SLU for the Subscriber Line Usage feature.
FEATURE		SLU	<i>Feature</i> Enter SLU.

Datafill example

There is no example for the SLU feature.

KSETFEAT feature SMDI

Station Message Desk Interface

For a description of feature SMDI, refer to KSETFEAT.

This feature can only be assigned to a directory number (DN) key that has the Uniform Call Distribution (UCD) feature defined in table KSETLINE.

Feature UCD can only be assigned to one DN key for the business set.

Datafill

The following table lists the datafill for table KSETFEAT feature SMDI.

Field descriptions (Sheet 1 of 2)

Field	Subfield or refinement	Entry	Explanation and action
FEATKEY		see subfields	<i>KSET feature key</i> This field consists of subfields LEN, KEY, and FEAT.
	LEN	see subfields	<i>Line equipment number</i> This field defines the physical location of the equipment that is connected to a specific telephone line. Because field LEN is common to more than 60 tables, it is documented in a single section to avoid unnecessary duplication. Refer to section "Common entry field LEN" for a complete description of field LEN and associated subfields. For ISDN lines, field LEN consists of subfield LTID. For non-ISDN lines, field LEN consists of subfields SITE, FRAME, UNIT, DRAWER or LSG, SHELF, SLOT, and CIRCUIT.
	KEY	1 to 69	<i>Physical key</i> Enter the number of the DN appearance that has Uniform Call Distribution (UCD) in table KSETLINE assigned to feature SMDI.
	FEAT	SMDI	<i>Feature</i> Enter SMDI for the Station Message Desk Interface feature.
FEATURE		SMDI	<i>Feature</i> Enter SMDI.

KSETFEAT feature SMDI (end)**Field descriptions (Sheet 2 of 2)**

Field	Subfield or refinement	Entry	Explanation and action
KVAR		see subfields	<i>Key variable area</i> This field consists of subfields LINENO, UCDGRP, and AUTOLOG.
	LINENO	1 to 1024	<i>Line number</i> Enter the line number within the UCD SMDI group.
	UCDGRP	alphanumeric (up to 16 characters)	<i>Uniform Call Distribution group</i> Enter the UCD group name defined in table UCDGRP with the station message desk function.
	AUTOLOG	Y or N	<i>Auto logon</i> Enter Y (yes) if the line has auto-logon capability into the UCD SMDI group. Otherwise, enter N (no).

Datafill example

The following example shows sample datafill for table KSETFEAT feature SMDI.

The LEN of the set is 00 0 02 04 at the host switching unit and the DN appearance requiring this feature is assigned to key 12.

The line number of the UCD SMDI group IBNUCDGRP1 is 5, and the agent does not have autolog capability.

MAP display example for table KSETFEAT feature SMDI

	FEATKEY	FEATURE	KVAR
HOST 00 0 02 04 12	SMDI	SMDI 5	IBNUCDGRP1 N

KSETFEAT feature SOR

Station Origination Restrictions

For a description of feature SOR, refer to KSETFEAT.

This is a directory number (DN) feature and is assigned to keys of the DN appearance.

The following information is required for each line with the SOR feature:

- if the set is remote, the remote site name
- the key number of the DN appearance
- the line equipment number (LEN) of the set to which the feature is assigned
- the SOR group to which the DN belongs

At least one attendant console, electronic business set (EBS), or 2500 set is designated as SOR controller. If an EBS or 2500 set is designated as controller, a feature activation code for feature SOR must be datafilled. The SORC (SOR Controller) option is assigned to attendant consoles in table FNMAP, and to Meridian Digital Centrex (MDC) stations in table IBNLINES or KSETLINE by means of the Service Order System (SERVORD). Table SORLIST stores the maximum number of SOR groups for each customer group and the exception list of calls allowed by SOR levels 1 and 3.

KSETFEAT feature SOR (continued)**Datafill**

The following table lists the datafill for table KSETFEAT feature SOR.

Field descriptions (Sheet 1 of 2)

Field	Subfield or refinement	Entry	Explanation and action
FEATKEY		see subfields	<i>KSET feature key</i> This field consists of subfields LEN, KEY, and FEAT.
	LEN	see subfields	<i>Line equipment number</i> This field defines the physical location of the equipment that is connected to a specific telephone line. Because field LEN is common to more than 60 tables, it is documented in a single section to avoid unnecessary duplication. Refer to section "Common entry field LEN" for a complete description of field LEN and associated subfields. For ISDN lines, field LEN consists of subfield LTID. For non-ISDN lines, field LEN consists of subfields SITE, FRAME, UNIT, DRAWER or LSG, SHELF, SLOT, and CIRCUIT.
	KEY	1 to 69	<i>Physical key</i> Enter the number associated with the DN appearance to which the feature is being assigned. For M2317 digital telephones, only keys 1 to 11 can be used.
	FEAT	SOR	<i>Feature</i> Enter SOR for the Station Origination Restrictions feature.
FEATURE		SOR	<i>Feature</i> Enter SOR.
KVAR		see subfields	<i>Key variable area</i> This field consists of subfields SORGRP, SORGLVL, and SORILVL.
	SORGRP	1 to 64	<i>Station Origination Restrictions group</i> Enter the number of the group to which this DN belongs.

KSETFEAT feature SOR (end)

Field descriptions (Sheet 2 of 2)

Field	Subfield or refinement	Entry	Explanation and action
	SORGLVL	0 to 4	<i>Station Origination Restrictions group restrictions level</i> This is a read-only field. Restriction levels can only be set by an SOR controller.
	SORILVL	0 to 4	<i>Station Origination Restrictions individual restrictions level</i> This is a read-only field. Restriction levels can only be set by an SOR controller.

Datafill example

The following example shows sample datafill for table KSETFEAT feature SOR.

The LEN of the set is 00 0 02 04 at the host switching unit and the DN appearance requiring this feature is assigned to key 1. This DN belongs to SOR group 12.

MAP display example for table KSETFEAT feature SOR

	FATKEY	FEATURE	KVAR
HOST 00 0 02 04 1	SOR	SOR 12 2 2	

KSETFEAT feature SPB

Special Billing Code

For a description of feature SPB, refer to KSETFEAT.

This is a directory number (DN) feature and is assigned to keys of DN appearances. The SPB DN must be a seven- or ten-digit number of the North American numbering plan format.

The following information is required for each DN with the Special Billing Code feature:

- if the set is remote, the site name of the remote location
- the key of the DN appearance and the line equipment number (LEN) of the set to which the feature is assigned
- the DN to which chargeable calls are billed

Datafill

The following table lists the datafill for table KSETFEAT feature SPB.

Field descriptions (Sheet 1 of 2)

Field	Subfield or refinement	Entry	Explanation and action
FEATKEY		see subfields	<i>KSET feature key</i> This field consists of subfields LEN, KEY, and FEAT.
	LEN	see subfields	<i>Line equipment number</i> This field defines the physical location of the equipment that is connected to a specific telephone line. Because field LEN is common to more than 60 tables, it is documented in a single section to avoid unnecessary duplication. Refer to section "Common entry field LEN" for a complete description of field LEN and associated subfields. For ISDN lines, field LEN consists of subfield LTID. For non-ISDN lines, field LEN consists of subfields SITE, FRAME, UNIT, DRAWER or LSG, SHELF, SLOT, and CIRCUIT.

KSETFEAT feature SPB (continued)

Field descriptions (Sheet 2 of 2)

Field	Subfield or refinement	Entry	Explanation and action
	KEY	1 to 69	<i>Physical key</i> Enter the number associated with the DN appearance to which the feature is being assigned. For M3000 digital telephones, only keys 1 to 6 can be assigned. For M2317 digital telephones, only keys 1 to 11 can be assigned.
	FEAT	SPB	<i>Feature</i> Enter SPB for the Special Billing Code feature.
FEATURE		SPB	<i>Feature</i> Enter SPB.
KVAR		see subfield	<i>Key variable area</i> This field consists of subfield DN.
	DN	numeric (10 or 7 digits)	<i>Directory number</i> If the office is local automated message accounting (LAMA), enter the ten-digit special billing number (numbering plan area [NPA] + DN). If the office is non-LAMA, enter the seven-digit special billing number.

Datafill example

The following example shows sample datafill for table KSETFEAT feature SPB.

The feature is assigned to DN appearance on key 6 of set with LEN 00 0 02 04 at the host switching unit.

The number to which all billable calls are charged is 2265400 and switching unit is non-LAMA.

KSETFEAT feature SPB (end)

MAP display example for table KSETFEAT feature SPB

	FATKEY	FEATURE	KVAR
HOST 00 0 02 04 6	SPB	SPB	2265400

KSETFEAT feature SUPR

Supervisor (SUPR)

The supervisor set is datafilled with the SUPR feature for key 1. The SUPR feature must be assigned to an Automatic Call Distribution (ACD) subgroup that is in the same customer group as the primary directory number (PDN) or INCALLS key of the supervisor set.

The SUPR feature must be assigned to an ACD supervisor set before the ACD features Agent Status Lamp (ASL), Observe Agent (OBS), Night Service (NGTSRVCE), and Display Queue Status (DQS) can be assigned.

Datafill

The following table lists the datafill for table KSETFEAT feature SUPR.

Field descriptions

Field	Subfield	Entry	Explanation and action
FEATKEY		see subfields	KSET feature key. This field consists of subfields LEN, KEY, and FEAT.
LEN		see subfields	Line equipment number. This field defines the physical location of the equipment that is connected to a specific telephone line. Because field LEN is common to more than 60 tables, it is documented in a single section to avoid unnecessary duplication. Refer to section "Common entry field LEN" for a complete description of field LEN and associated subfields. For ISDN lines, field LEN consists of subfield LTID. For non-ISDN lines, field LEN consists of subfields SITE, FRAME, UNIT, DRAWER or LSG, SHELF, SLOT, and CIRCUIT.
KEY		1	Physical key. Enter key 1 for the SUPR feature.
FEAT		SUPR	Feature. Enter SUPR for the Supervisor feature.
FEATURE		SUPR	Feature. Enter SUPR.
KVAR		see subfields	Key variable area. This field consists of subfields PRIMARY_ACDGRP, PRIMARY_ACDSGRP, and IDNUM.

KSETFEAT feature SUPR (continued)

Field descriptions

Field	Subfield	Entry	Explanation and action
	PRIMARY_ ACDGRP	alphanumeric (1 to 16 characters)	Primary Automatic Call Distribution group. Enter the name of the ACD group, datafilled in table ACDGRP, of which this supervisor set is a member.
	PRIMARY_ ACDSGRP	1 to 255	Primary Automatic Call Distribution subgroup. Enter the ACD subgroup number for this supervisor set.
	IDNUM	Y or N	<p>Identification number. Enter Y (yes) if a position ID number is assigned and datafill refinement is POSID.</p> <p>Otherwise, enter N (no). The position identification automatically identifies this supervisor position in management reports and in the command interpreter (CI) command ACDSHOW at the MAP (maintenance and administration position). No further datafill for this feature is required.</p>
	POSID	00001 to 30000	<p>Position identification. If the entry in subfield IDNUM is Y, datafill this refinement. Enter the ACD position identification (ID) associated with the supervisor.</p> <p>Note: ACD position ID is assigned to the INCALLS key in table KSETLINE.</p>

Datafill example

The following example shows sample datafill for table KSETFEAT feature SUPR.

MAP display example for table KSETFEAT feature SUPR

FATKEY	FEATURE								KVAR
HOST 00 0 02 04 1	SUPR	SUPR	ACDGRP99	2	Y	00123			

The LEN of the set is 00 0 02 04 at the host switching unit, and key 1 is assigned to the SUPR feature.

KSETFEAT feature SUPR (end)

This feature is assigned to subgroup 2 of ACD group ACDGRP99.

A position ID, 00123, is assigned to this supervisor position.

Table history

SN07 (DMS)

Activity A00004391 increased the range of subfield POSID to 30 000.

KSETFEAT feature SSAC

Station Specific Authcode

For a description of feature SSAC, refer to KSETFEAT.

The following information is required for each line with feature SSAC:

- if line is remote, the site name of the remote location
- the line equipment number (LEN) to which the line with the feature is assigned
- the data feature SSAC
- the authorization code (authcode) assigned to this line for feature SSAC. This authcode must be previously datafilled in table AUTHCDE. Up to ten SSACs can be entered for each line, one at a time, followed by a \$ to halt input. Up to seven stations can have the same SSAC.

Feature SSAC is a directory number (DN) feature and is assigned to keys of DN appearances that require feature SSAC.

If SSAC is assigned to a set in table AUTHCDE, table IBNFEAT or KSETFEAT must also be datafilled.

Multiple stations are sometimes assigned to the same SSAC, due to users needing access from different locations. A maximum of seven stations are allowed for each SSAC. Each station can have a maximum of ten SSACs assigned for each DN. Feature SSAC can be assigned to as many DN appearances on a station as required.

KSETFEAT feature SSAC (continued)**Datafill**

The following table lists the datafill for table KSETFEAT feature SSAC.

Field descriptions (Sheet 1 of 2)

Field	Subfield or refinement	Entry	Explanation and action
FEATKEY		see subfields	<i>KSET feature key</i> This field consists of subfields LEN, KEY, and FEAT.
	LEN	see subfields	<i>Line equipment number</i> This field defines the physical location of the equipment that is connected to a specific telephone line. Because field LEN is common to more than 60 tables, it is documented in a single section to avoid unnecessary duplication. Refer to section "Common entry field LEN" for a complete description of field LEN and associated subfields. For ISDN lines, field LEN consists of subfield LTID. For non-ISDN lines, field LEN consists of subfields SITE, FRAME, UNIT, DRAWER or LSG, SHELF, SLOT, and CIRCUIT.
	KEY	1 to 69	<i>Physical key</i> Enter the number associated with the directory number (DN) appearance to which the feature is being assigned. For M2317 digital telephones, only keys 1 to 11 can be used.
	FEAT	SSAC	<i>Feature</i> Enter SSAC for the Station-specific Authcode feature.
FEATURE		SSAC	<i>Feature</i> Enter SSAC.

KSETFEAT feature SSAC (end)

Field descriptions (Sheet 2 of 2)

Field	Subfield or refinement	Entry	Explanation and action
KVAR		see subfield	<i>Key variable area</i> This field consists of subfield AUTHCODE.
	AUTHCODE	numeric (2 to 11 digits)	<i>Authorization code</i> Enter up to ten authorization codes assigned to this line for the SSAC feature. If less than ten codes are assigned, end the list with a \$.

Datafill example

The following example shows sample datafill for table KSETFEAT feature SSAC.

The LEN of the set is 00 0 02 04 at the host switching unit and the DN appearance requiring this feature is assigned to key 1.

The authcode assigned to this line for the SSAC feature is 2271632046.

MAP display example for table KSETFEAT feature SSAC

		FEATKEY	FEATURE	KVAR
HOST	00 0 02 04 1	SSAC	SSAC (227163246)\$	

KSETFEAT feature SUPR

Supervisor (SUPR)

The supervisor set is datafilled with the SUPR feature for key 1. The SUPR feature must be assigned to an Automatic Call Distribution (ACD) subgroup that is in the same customer group as the primary directory number (PDN) or INCALLS key of the supervisor set.

The SUPR feature must be assigned to an ACD supervisor set before the ACD features Agent Status Lamp (ASL), Observe Agent (OBS), Night Service (NGTSRVCE), and Display Queue Status (DQS) can be assigned.

Datafill

The following table lists the datafill for table KSETFEAT feature SUPR.

Field descriptions (Sheet 1 of 2)

Field	Subfield or refinement	Entry	Explanation and action
FEATKEY		see subfields	KSET feature key. This field consists of subfields LEN, KEY, and FEAT.
LEN		see subfields	Line equipment number. This field defines the physical location of the equipment that is connected to a specific telephone line. Because field LEN is common to more than 60 tables, it is documented in a single section to avoid unnecessary duplication. Refer to section "Common entry field LEN" for a complete description of field LEN and associated subfields. For ISDN lines, field LEN consists of subfield LTID. For non-ISDN lines, field LEN consists of subfields SITE, FRAME, UNIT, DRAWER or LSG, SHELF, SLOT, and CIRCUIT.
KEY		1	Physical key. Enter key 1 for the SUPR feature.
FEAT		SUPR	Feature. Enter SUPR for the Supervisor feature.
FEATURE		SUPR	Feature. Enter SUPR.
KVAR		see subfields	Key variable area. This field consists of subfields PRIMARY_ACDGRP, PRIMARY_ACDSGRP, and IDNUM.

KSETFEAT feature SUPR (continued)

Field descriptions (Sheet 2 of 2)

Field	Subfield or refinement	Entry	Explanation and action
	PRIMARY_ ACDGRP	alphanumeric (1 to 16 characters)	Primary Automatic Call Distribution group. Enter the name of the ACD group, datafilled in table ACDGRP, of which this supervisor set is a member.
	PRIMARY_ ACDSGRP	1 to 255	Primary Automatic Call Distribution subgroup. Enter the ACD subgroup number for this supervisor set.
	IDNUM	Y or N	<p>Identification number. Enter Y (yes) if a position ID number is assigned and datafill refinement is POSID.</p> <p>Otherwise, enter N (no). The position identification automatically identifies this supervisor position in management reports and in the command interpreter (CI) command ACDSHOW at the MAP (maintenance and administration position). No further datafill for this feature is required.</p>
	POSID	0001 to 9999	<p>Position identification. If the entry in subfield IDNUM is Y, datafill this refinement. Enter the ACD position identification (ID) associated with the supervisor.</p> <p>Note: ACD position ID is assigned to the INCALLS key in table KSETLINE.</p>

Datafill example

The following example shows sample datafill for table KSETFEAT feature SUPR.

MAP display example for table KSETFEAT feature SUPR

FATKEY	FEATURE							KVAR			
HOST	00	0	02	04	1	SUPR	SUPR	ACDGRP99	2	Y	0123

KSETFEAT feature SUPR (end)

The LEN of the set is 00 0 02 04 at the host switching unit, and key 1 is assigned to the SUPR feature.

This feature is assigned to subgroup 2 of ACD group ACDGRP99.

A position ID, 0123, is assigned to this supervisor position.

KSETFEAT feature TBO

Terminating Billing Option

For a description of feature TBO, refer to KSETFEAT.

Datafill

The following table lists the datafill for table KSETFEAT feature TBO.

Field descriptions (Sheet 1 of 2)

Field	Subfield or refinement	Entry	Explanation and action
FEATKEY		see subfields	<i>KSET feature key</i> This field consists of subfields LEN, KEY, and FEAT.
	LEN	see subfields	<i>Line equipment number</i> This field defines the physical location of the equipment that is connected to a specific telephone line. Because field LEN is common to more than 60 tables, it is documented in a single section to avoid unnecessary duplication. Refer to section "Common entry field LEN" for a complete description of field LEN and associated subfields. For ISDN lines, field LEN consists of subfield LTID. For non-ISDN lines, field LEN consists of subfields SITE, FRAME, UNIT, DRAWER or LSG, SHELF, SLOT, and CIRCUIT.
	KEY	1 to 69	<i>Physical key</i> Enter the number associated with the directory number (DN) appearance to which the feature is being assigned. For M3000 digital telephones, only keys 1 to 6 can be assigned. For M2317 digital telephones, only keys 1 to 11 can be assigned.
	FEAT	TBO	<i>Feature</i> Enter TBO for the Terminating Billing Option.
FEATURE		TBO	<i>Feature</i> Enter TBO.
KVAR		see subfields	<i>Key variable area</i> This field consists of subfields CALLCODE and SFPRSNT.

KSETFEAT feature TBO (end)**Field descriptions (Sheet 2 of 2)**

Field	Subfield or refinement	Entry	Explanation and action
	CALLCODE	800 to 999	<i>Call code</i> Enter the call code assigned to the call. This is printed out in the automatic message accounting (AMA) record.
	SFPRSNT	Y or N	<i>Service feature present</i> Enter Y (yes) if service feature is present and datafill refinement SFVAL. Otherwise, enter N (no). No further datafill for this feature is required.
	SFVAL	800 to 999	<i>Service feature value</i> If the entry in subfield SFPRSNT is Y, datafill this refinement. Enter the service feature value assigned to the call. This is printed out in the AMA record.

Datafill example

The following example shows sample datafill for table KSETFEAT feature TBO.

The LEN of the set is 00 0 02 04 at the host switch, and key 5 is assigned to the DN appearance requiring this feature. Call code and service feature value of 900 are assigned.

MAP display example for table KSETFEAT feature TBO

	FATKEY	FEATURE	KVAR
HOST	00 0 02 04 5	TBO	TBO 900 Y 900

KSETFEAT feature TLS

Terminating Line Select

For a description of feature TLS, refer to KSETFEAT.

Datafill

The following table lists the datafill for table KSETFEAT feature TLS.

Field descriptions (Sheet 1 of 2)

Field	Subfield or refinement	Entry	Explanation and action
FEATKEY		see subfields	<i>KSET feature key</i> This field consists of subfields LEN, KEY, and FEAT.
	LEN	see subfields	<i>Line equipment number</i> This field defines the physical location of the equipment that is connected to a specific telephone line. Because field LEN is common to more than 60 tables, it is documented in a single section to avoid unnecessary duplication. Refer to section "Common entry field LEN" for a complete description of field LEN and associated subfields. For ISDN lines, field LEN consists of subfield LTID. For non-ISDN lines, field LEN consists of subfields SITE, FRAME, UNIT, DRAWER or LSG, SHELF, SLOT, and CIRCUIT.
	KEY	1 to 69	<i>Physical key</i> Enter the number associated with the directory number (DN) appearance to which the feature is being assigned. For M3000 digital telephones, only keys 1 to 6 can be assigned. For M2317 digital telephones, only keys 1 to 11 can be assigned.
	FEAT	TLS	<i>Feature</i> Enter TLS for the Terminating Line Select feature.
FEATURE		TLS	<i>Feature</i> Enter TLS.

KSETFEAT feature TLS (end)**Field descriptions (Sheet 2 of 2)**

Field	Subfield or refinement	Entry	Explanation and action
KVAR		see subfield	<i>Key variable area</i> This field consists of subfield TLSOPT.
	TLSOPT	INCOMINGor NOSELECT	<i>Terminating line select option</i> Enter INCOMING if the call is automatically answered when going off-hook. Enter NOSELECT if the user must manually select the desired DN.

Datafill example

The following example shows sample datafill for table KSETFEAT feature TLS.

The LEN of the set is 00 0 02 04 at the host switch, and key 5 is assigned to the DN appearance requiring feature TLS.

MAP display example for table KSETFEAT feature TLS

	FATKEY	FEATURE	KVAR
HOST 00 0 02 04 5	TLS	TLS INCOMING	

KSETFEAT feature TRANSFER

Call Transfer ISDN

The TRANSFER feature is identical to that of Call Transfer (CXR) except that it is for ISDN lines.

The TRANSFER feature is provisionable only on National ISDN-2 (NI-2) terminals.

Datafill

The following table lists the datafill for table KSETFEAT feature TRANSFER.

Field descriptions (Sheet 1 of 3)

Field	Subfield or refinement	Entry	Explanation and action
FEATKEY		see subfields	KSET feature key. This field consists of subfields LEN, KEY, and FEAT.
	LEN	see subfields	Line equipment number. This field defines the physical location of the equipment that is connected to a specific telephone line. Because field LEN is common to more than 60 tables, it is documented in a single section to avoid unnecessary duplication. Refer to section "Common entry field LEN" for a complete description of field LEN and associated subfields. For ISDN lines, field LEN consists of subfield LTID. For non-ISDN lines, field LEN consists of subfields SITE, FRAME, UNIT, DRAWER or LSG, SHELF, SLOT, and CIRCUIT.
	KEY	1 to 64	Physical key. Enter the number associated with the physical key to which this feature is being assigned.
	FEAT	TRANSFER	Feature. Enter TRANSFER for the Call Transfer ISDN feature.
FEATURE		TRANSFER	Feature. Enter TRANSFER for the Call Transfer ISDN feature.

KSETFEAT feature TRANSFER (continued)

Field descriptions (Sheet 2 of 3)

Field	Subfield or refinement	Entry	Explanation and action
	TRANSFER_ TYPE	NOTRANS, EXP, IMP	<p>Transfer Type. Enter one of the following transfer types for the Call Transfer ISDN feature:</p> <ul style="list-style-type: none"> • NOTRANS = No Call Transfer • EXP = Explicit Transfer only • IMP = Implicit Transfer <p>Note: When implicit TRANSFER is assigned to a feature key, both implicit and explicit transfers are allowed.</p>
KVAR		see subfield	Key variable area. This field consists of subfield XFERTYPE.
	XFERTYPE	see subfield	Variable call transfer. This field consists of subfield CXFERTYP.
	CXFERTYP	CTALL, CTINC, CTINTRA, CTOUT, CUSTOM, or NCT	<p>Call transfer type. Enter the type of call transfer applicable to the customer group.</p> <p>Enter CTALL if all incoming and outgoing calls are transferred. The first and second legs of the call can be intergroup or intragroup. No further datafill is required.</p> <p>Enter CTINC if incoming calls are transferred. The first leg of the call must be intergroup and the second leg of the call must be intragroup. No further datafill is required.</p>

KSETFEAT feature TRANSFER (continued)

Field descriptions (Sheet 3 of 3)

Field	Subfield or refinement	Entry	Explanation and action
	CXFERTYP (continued)		<p>Enter CTINTRA if incoming and outgoing calls are transferred. The first leg of the call can be intergroup or intragroup, but the second leg of the call must be intragroup. No further datafill is required.</p> <p>Enter CTOUT if incoming and outgoing calls are transferred. The first leg of the call must be intergroup and the second leg of the call must be intragroup.</p> <p>Enter CUSTOM if the operating company selects what type the second leg of the call is. Datafill refinements ORGINTER, ORGINTRA, TRMINTER, and TRMINTRA.</p> <p>Enter NCT if incoming and outgoing calls are not transferred. NCT is the default value.</p> <p>Note: ATTRCLF (attendant call transfer) is not a valid entry for the TRANSFER feature in table KSETFEAT.</p>

KSETFEAT feature TRANSFER (continued)**CXFERTYP = CUSTOM**

If the entry in field CXFERTYP is CUSTOM, datafill refinements ORGINTER, ORGINTRA, TRMINTER, and TRMINTRA as follows.

Field descriptions for conditional datafill

Field	Subfield or refinement	Entry	Explanation and action
	ORGINTER	AC, INTER, INTRA, NOCXFER, or TRATER	Originating intergroup. Enter the type of call transfer for originating intergroup calls. <ul style="list-style-type: none"> AC (terminator on the second leg can be attendant console) INTER (second leg of the call can be an intergroup call) INTRA (second leg of the call can be an intragroup call) TRATER (second leg of the call can be an intergroup or intragroup call)
	ORGINTRA	AC, INTER, INTRA, NOCXFER, or TRATER	Originating intragroup. Enter the type of call transfer for originating intragroup calls.
	TRMINTER	AC, INTER, INTRA, NOCXFER, or TRATER	Terminating intergroup. Enter the type of call transfer for terminating intergroup calls.
	TRMINTRA	AC, INTER, INTRA, NOCXFER, or TRATER	Terminating intragroup. Enter the type of call transfer for terminating intragroup calls.

Datafill example

The following example shows sample datafill for table KSETFEAT feature TRANSFER.

The TRANSFER feature is assigned to key 11 of a set with a logical terminal identifier (LTID) of ISDN 3 and the line is assigned transfer type EXPLICIT and call transfer type CTALL.

KSETFEAT feature TRANSFER (end)

MAP display example for table KSETFEAT feature TRANSFER

		FEATKEY		FEATURE			
						KVAR	
ISDN	3	11	TRANSFER	TRANSFER			
			EXP	CTALL			

KSETFEAT feature TRKDISP

Trunk member display (TRKDISP)

This feature enables Meridian business set/integrated voice and data (MBS/IVD) users to display the names (CLLI) and circuit member numbers on which they are active. The trunk member display feature is activated and deactivated when the user presses the TRKDISP key of an MBS/IVD display set.

Datafill

The following table lists the datafill for table KSETFEAT feature TRKDISP.

Field descriptions (Sheet 1 of 2)

Field	Subfield or refinement	Entry	Explanation and action
FEATKEY		see subfields	<i>KSET feature key</i> This field consists of subfields LEN, KEY, and FEAT.
	LEN	see subfields	<i>Line equipment number</i> This field defines the physical location of the equipment that is connected to a specific telephone line. Because field LEN is common to more than 60 tables, it is documented in a single section to avoid unnecessary duplication. Refer to section "Common entry field LEN" for a complete description of field LEN and associated subfields. For ISDN lines, field LEN consists of subfield LTID. For non-ISDN lines, field LEN consists of subfields SITE, FRAME, UNIT, DRAWER or LSG, SHELF, SLOT, and CIRCUIT.
	KEY	1 to 69	<i>Physical key</i> Enter the number associated with the physical key to which the feature is being assigned.

KSETFEAT feature TRKDISP (end)

Field descriptions (Sheet 2 of 2)

Field	Subfield or refinement	Entry	Explanation and action
	FEAT	TRKDISP	<i>Feature</i> Enter TRKDISP for the trunk member display feature.
FEATURE		TRKDISP	<i>Feature</i> Enter TRKDISP for the trunk member display feature.

Datafill example

The following example shows sample datafill for table KSETFEAT feature TRKDISP.

MAP display example for table KSETFEAT feature TRKDISP

FEATKEY	FEATURE	KVAR

LCM1 00 01 09 31 5	TRKDISP	TRKDISP

KSETFEAT feature UC DLG

Uniform Call Distribution Login

For a description of feature UC DLG, refer to table KSETFEAT.

Feature UC DLG can be assigned to one or more vacant keys with lamp display after the Uniform Call Distribution (UCD) option is assigned to one directory number (DN) key in table KSETLINE. Feature UCD can only be assigned to one DN key for the entire electronic business set (EBS).

Datafill

The following table lists the datafill for table KSETFEAT feature UC DLG.

Field descriptions (Sheet 1 of 2)

Field	Subfield or refinement	Entry	Explanation and action
FEATKEY		see subfields	<i>KSET feature key</i> This field consists of subfields LEN, KEY, and FEAT.
	LEN	see subfields	<i>Line equipment number</i> This field defines the physical location of the equipment that is connected to a specific telephone line. Because field LEN is common to more than 60 tables, it is documented in a single section to avoid unnecessary duplication. Refer to section "Common entry field LEN" for a complete description of field LEN and associated subfields. For ISDN lines, field LEN consists of subfield LTID. For non-ISDN lines, field LEN consists of subfields SITE, FRAME, UNIT, DRAWER or LSG, SHELF, SLOT, and CIRCUIT.
	KEY	1 to 69	<i>Physical key</i> Enter the number of the vacant key with lamp display to which this feature is assigned.
	FEAT	UDCLG	<i>Feature</i> Enter UC DLG for the UCD Login feature.
FEATURE		UDCLG	<i>Feature</i> Enter UC DLG.

KSETFEAT feature UC DLG (end)

Field descriptions (Sheet 2 of 2)

Field	Subfield or refinement	Entry	Explanation and action
KVAR		see subfield	<i>Key variable area</i> This field consists of subfield UCDGRP.
	UCDGRP	alphanumeric (1 to 16 characters)	<i>Uniform Call Distribution group</i> Enter the name assigned to the UCD group in table UCDGRP.

Datafill example

The following example shows sample datafill for table KSETFEAT feature UC DLG.

In this example feature UC DLG is assigned to key 25 for logging in to UCD group WYLIE12.

MAP display example for table KSETFEAT feature UC DLG

	FATKEY	FEATURE	KVAR
HOST 00 0 02 04 4	UCDLG	UCDLG WYLIE12	

KSETFEAT feature UCDS

Uniform Call Distribution Signal Distribution Point

For a description of feature UCDS, refer to KSETFEAT.

This feature is assigned to the directory number (DN) key of the set that has been assigned the Uniform Call Distribution (UCD) feature in table KSETLINE. Only one DN key can have feature UCD assigned for the whole set.

Datafill

The following table lists the datafill for table KSETFEAT feature UCDS.

Field descriptions (Sheet 1 of 2)

Field	Subfield or refinement	Entry	Explanation and action
FEATKEY		see subfields	<i>KSET feature key</i> This field consists of subfields LEN, KEY, and FEAT.
	LEN	see subfields	<i>Line equipment number</i> This field defines the physical location of the equipment that is connected to a specific telephone line. Because field LEN is common to more than 60 tables, it is documented in a single section to avoid unnecessary duplication. Refer to section "Common entry field LEN" for a complete description of field LEN and associated subfields. For ISDN lines, field LEN consists of subfield LTID. For non-ISDN lines, field LEN consists of subfields SITE, FRAME, UNIT, DRAWER or LSG, SHELF, SLOT, and CIRCUIT.
	KEY	1 to 69	<i>Physical key</i> Enter the number of the DN key that has feature UCD assigned in table KSETLINE.
	FEAT	UCDS	<i>Feature</i> Enter UCDS for the Uniform Call Distribution Signal Distribution Point feature.
FEATURE		UCDS	<i>Feature</i> Enter UCDS.

KSETFEAT feature UCDS (end)

Field descriptions (Sheet 2 of 2)

Field	Subfield or refinement	Entry	Explanation and action
KVAR		see subfields	<i>Key variable area</i> This field consists of subfields SDGRPNO and SDPOINT.
	SDGRPNO	0 to 511	<i>Signal distribution point group number</i> Enter the group number of the signal distribution (SD) point.
	SDPOINT	0 to 6	<i>Signal distribution point</i> Enter the SD point number.

Datafill example

The following example shows sample datafill for table KSETFEAT feature UCDS.

The UCDS feature is assigned to SDGRPNO 212 and SDPOINT 6 to DN key 20 of the keyset that has the UCD feature.

MAP display example for table KSETFEAT feature UCDS

		FEATKEY	FEATURE	KVAR
HOST	00 0 02 04 20	UCDS	UCDS 212 6	

KSETFEAT feature VMEADENY

Voice Mail Easy Access Deny

VMEA is a service offered to residential subscribers that provides an integrated access to a voice messaging service (VMS) from an End Office (EO) by simplified dialing. Customers who have subscribed to a voice messaging service like Call Answer have the ability to directly access their voice mailboxes by dialing an access code from their home telephone set. The VMEADENY option denies subscriber access to the VMEA feature.

This is a set feature and must be assigned to a vacant key.

Datafill

The following table lists the datafill for table KSETFEAT feature VMEADENY.

Field descriptions

Field	Subfield or refinement	Entry	Explanation and action
FEATKEY		see subfields	KSET feature key. This field consists of subfields LEN, KEY, and FEAT.
	LEN	see subfields	Line equipment number. This field defines the physical location of the equipment that is connected to a specific telephone line. Because field LEN is common to more than 60 tables, it is documented in a single section to avoid unnecessary duplication. Refer to section "Common entry field LEN" for a complete description of field LEN and associated subfields. For ISDN lines, field LEN consists of subfield LTID. For non-ISDN lines, field LEN consists of subfields SITE, FRAME, UNIT, DRAWER or LSG, SHELF, SLOT, and CIRCUIT.
	KEY	1 to 69	Physical key. Enter the number associated with the physical key to which the feature is being assigned.
	FEAT	VMEADENY	Feature. Enter VMEADENY to deny access to the VMEA feature.
	FEATURE	VMEADENY	Feature. Enter VMEADENY to deny access to the VMEA feature.

KSETFEAT feature VMEADENY (end)

Datafill example

The following example shows an example of feature VMEADENY assigned to key 1.

MAP display example for table KSETFEAT feature VMEADENY

	FATKEY	FEATURE	KVAR
ISDN 209	1	VMEADENY	VMEADENY

KSETFEAT feature VMEADN

Voice Mail Easy Access Directory Number

VMEA is a service offered to residential subscribers that provides an integrated access to a voice messaging service (VMS) from an End Office (EO) by simplified dialing. Customers who have subscribed to a voice messaging service like Call Answer have the ability to directly access their voice mailboxes by dialing an access code from their home telephone set. The VMEADN option provides subscriber access to the VMEA feature.

This is a set feature and must be assigned to a vacant key.

Datafill

The following table lists the datafill for table KSETFEAT feature VMEADN.

Field descriptions

Field	Subfield or refinement	Entry	Explanation and action
FEATKEY		see subfields	KSET feature key. This field consists of subfields LEN, KEY, and FEAT.
	LEN	see subfields	Line equipment number. This field defines the physical location of the equipment that is connected to a specific telephone line. Because field LEN is common to more than 60 tables, it is documented in a single section to avoid unnecessary duplication. Refer to section "Common entry field LEN" for a complete description of field LEN and associated subfields. For ISDN lines, field LEN consists of subfield LTID. For non-ISDN lines, field LEN consists of subfields SITE, FRAME, UNIT, DRAWER or LSG, SHELF, SLOT, and CIRCUIT.
	KEY	1 to 69	Physical key. Enter the number associated with the physical key to which the feature is being assigned.
	FEAT	VMEADN	Feature. Enter VMEADN to provide access to the VMEA feature.
	FEATURE	VMEADN	Feature. Enter VMEADN to provide access to the VMEA feature.
	DN	vector of up to 30 digits	Directory number. Enter the DN of the customer's Voice Messaging System (VMS).

KSETFEAT feature VMEADN (end)

Datafill example

The following example shows an example of feature VMEADN assigned to key 1.

MAP display example for table KSETFEAT feature VMEADN

	FATKEY	FEATURE	KVAR
ISDN 209	1	VMEADN	VMEADN 7314000

KSETFEAT feature WML

Warm Line

For a description of feature WML, refer to KSETFEAT.

Datafill

The table that follows lists datafill for table KSETFEAT feature WML.

Field descriptions (Sheet 1 of 2)

Field	Subfield or refinement	Entry	Explanation and action
FEATKEY		see subfields	<i>KSET feature key</i> This field consists of subfields LEN, KEY, and FEAT.
	LEN	see subfields	<i>Line equipment number</i> This field defines the physical location of the equipment that is connected to a specific telephone line. Because field LEN is common to more than 60 tables, it is documented in a single section to avoid unnecessary duplication. Refer to section "Common entry field LEN" for a complete description of field LEN and associated subfields. For ISDN lines, field LEN consists of subfield LTID. For non-ISDN lines, field LEN consists of subfields SITE, FRAME, UNIT, DRAWER or LSG, SHELF, SLOT, and CIRCUIT.
	KEY	1 to 69	<i>Physical key</i> Enter the number of the directory number (DN) key that is assigned feature WML.
	FEAT	WML	<i>Feature</i> Enter WML for the Warm Line feature.
FEATURE		WML	<i>Feature</i> Enter WML.
KVAR		see subfields	<i>Key variable area</i> This field consists of subfields CUSTMOD, ACTIVE, DN, TIMEOUT, and FTCODE.
	CUSTMOD	Y or N	<i>Customer modifiable</i> Enter Y (yes) if the customer can modify the WML DN. Otherwise, enter N (no).

KSETFEAT feature WML (continued)

Field descriptions (Sheet 2 of 2)

Field	Subfield or refinement	Entry	Explanation and action
	ACTIVE	Y or N	<i>Activate</i> Enter Y if the Warm Line feature is active. Otherwise, enter N.
	DN	1 to 18	<i>Directory number</i> Enter the number to which the call is directed once the Warm Line feature timer expires.
	TIMEOUT	1 to 20	<i>Time-out</i> Enter the time, in seconds, after a subscriber's line goes off-hook, before a call is placed to the WML DN.
	FTCODE	Y or N	<i>Feature access code</i> Enter Y to allow subscriber to dial octothorpe (#) to access MDC features. Enter N to allow subscriber to dial # to override Warm Line feature timer. FTCODE is prompted when office parameter WML_OCT_IS_LINE_OPT_PARM is set to Y.

Datafill example

The figures that follow show sample datafill for table KSETFEAT feature WML.

In both examples, the customer can modify the DN. The call is directed to DN 6211234 after 6 s. The first example is with office parameter WML_OCT_IS_LINE_OPT_PARM enabled which gives the FTCODE prompt. The customer can dial # to access MDC features.

MAP display example for table KSETFEAT feature WML with FTCODE prompt

	FATKEY	FEATURE	KVAR
HOST	00 0 02 04 WML	WML	Y Y 6211234 6 Y

The second example is with office parameter WML_OCT_IS_LINE_OPT_PARM disabled which removes the FTCODE prompt.

KSETFEAT feature WML (end)

MAP display example for table KSETFEAT feature WML with no FTCODE prompt

	FATKEY	FEATURE	KVAR
HOST	00 0 02 04 WML	WML	Y Y 6211234 6

KSETFEAT feature WUCR

Wake-up Call

For a description of feature WUCR, refer to KSETFEAT.

This feature can only be assigned to the primary directory number (PDN) of a Meridian business set and cannot be assigned to secondary directory numbers (SDN) or ISDN lines. Only one outstanding wake-up call request is permitted on each line.

Datafill

The following table lists the datafill for table KSETFEAT feature WUCR.

Field descriptions

Field	Subfield or refinement	Entry	Explanation and action
FEATKEY		see subfields	<i>KSET feature key</i> This field consists of subfields LEN, KEY, and FEAT.
	LEN	see subfields	<i>Line equipment number</i> This field defines the physical location of the equipment that is connected to a specific telephone line. Because field LEN is common to more than 60 tables, it is documented in a single section to avoid unnecessary duplication. Refer to section "Common entry field LEN" for a complete description of field LEN and associated subfields. For ISDN lines, field LEN consists of subfield LTID. For non-ISDN lines, field LEN consists of subfields SITE, FRAME, UNIT, DRAWER or LSG, SHELF, SLOT, and CIRCUIT.
	KEY	1 to 69	<i>Physical key</i> Enter the number associated with the physical key to which the feature is being assigned.
	FEAT	WUCR	<i>Feature</i> Enter WUCR for the Wake-up Call feature.
FEATURE		WUCR	<i>Feature</i> Enter WUCR.

Datafill example

There is no example for feature WUCR.

KSETFEAT feature XFER

Call Transfer ISDN

This feature is identical to that of Call Transfer (CXR) except it is for ISDN lines. For a description of the XFER feature, refer to KSETFEAT.

The XFER feature is provisionable only on pre-NI-2 ISDN terminals.

Datafill

The following table lists the datafill for table KSETFEAT feature XFER.

Field descriptions (Sheet 1 of 2)

Field	Subfield or refinement	Entry	Explanation and action
FEATKEY		see subfields	<i>KSET feature key</i> This field consists of subfields LEN, KEY, and FEAT.
	LEN	see subfields	<i>Line equipment number</i> This field defines the physical location of the equipment that is connected to a specific telephone line. Because field LEN is common to more than 60 tables, it is documented in a single section to avoid unnecessary duplication. Refer to section "Common entry field LEN" for a complete description of field LEN and associated subfields. For ISDN lines, field LEN consists of subfield LTID. For non-ISDN lines, field LEN consists of subfields SITE, FRAME, UNIT, DRAWER or LSG, SHELF, SLOT, and CIRCUIT.
	KEY	1 to 69	<i>Physical key</i> Enter the number associated with the physical key to which this feature is being assigned.
	FEAT	XFER	<i>Feature</i> Enter XFER for the Call Transfer ISDN feature.
FEATURE		XFER	<i>Feature</i> Enter XFER.
KVAR		see subfield	<i>Key variable area</i> This field consists of subfield XFERTYPE.

KSETFEAT feature XFER (continued)

Field descriptions (Sheet 2 of 2)

Field	Subfield or refinement	Entry	Explanation and action
	XFERTYPE	see subfield	<i>Variable call transfer</i> This field consists of subfield CXFERTYP.
	CXFERTYP	ATTRCLF CTALL CTINC CTINTRA CTOUT CUSTOM or NCT	<i>Call transfer type</i> Enter the type of call transfer applicable to the customer group. Enter ATTRCLF if all calls are transferred to an attendant. No further datafill is required. Enter CTALL if all incoming and outgoing calls are transferred. The first and second legs of the call can be intergroup or intragroup. No further datafill is required. Enter CTINC if incoming calls are transferred. The first leg of the call must be intergroup and the second leg of the call must be intragroup. No further datafill is required. Enter CTINTRA if incoming and outgoing calls are transferred. The first leg of the call can be intergroup or intragroup, but the second leg of the call must be intragroup. No further datafill is required. Enter CTOUT if incoming and outgoing calls are transferred. The first leg of the call must be intergroup and the second leg of the call must be intragroup. Enter CUSTOM if the operating company selects what type the second leg of the call is. Datafill refinements ORGINTER, ORGINTRA, TRMINTER, and TRMINTRA. Enter NCT (incoming calls are transferred to an attendant if the first leg of the call is INTERGROUP). Datafill refinements ORGINTER, ORGINTRA, TRMINTER, and TRMINTRA.

KSETFEAT feature XFER (continued)**CXFERTYP = CUSTOM**

If the entry in field CXFERTYP is CUSTOM, datafill refinements ORGINTER, ORGINTRA, TRMINTER, and TRMINTRA as follows.

Field descriptions for conditional datafill

Field	Subfield or refinement	Entry	Explanation and action
	ORGINTER	AC, INTER, INTRA, NOCXFER, or TRATER	<i>Originating intergroup</i> Enter the type of call transfer for originating intergroup calls. <ul style="list-style-type: none"> AC (terminator on the second leg can be attendant console) INTER (second leg of the call can be an intergroup call) INTRA (second leg of the call can be an intragroup call) TRATER (second leg of the call can be an intergroup or intragroup call)
	ORGINTRA	AC, INTER, INTRA, NOCXFER, or TRATER	<i>Originating intragroup</i> Enter the type of call transfer for originating intragroup calls.
	TRMINTER	AC, INTER, INTRA, NOCXFER, or TRATER	<i>Terminating intergroup</i> Enter the type of call transfer for terminating intergroup calls.
	TRMINTRA	AC, INTER, INTRA, NOCXFER, or TRATER	<i>Terminating intragroup</i> Enter the type of call transfer for terminating intragroup calls.

Datafill example

The following example shows sample datafill for table KSETFEAT feature XFER.

The XFER feature is assigned to key 6 of set with a logical terminal identifier (LTID) of ISDN 1 and the line is assigned call transfer type CTALL.

KSETFEAT feature XFER (end)

MAP display example for table KSETFEAT feature XFER

			FATKEY	FEATURE
KVAR				
<hr/>				
ISDN	1	6	XFER	XFER CTALL

KSETFEAT feature XXTRG

XX Trigger

Feature XXTRG is assigned to a line and can only be encountered by calls originating on the line with XXTRG option assigned. The XTRG feature cannot be assigned to multiparty or coin lines.

Datavill

The following table lists the datavill for table KSETFEAT feature XXTRG.

Field descriptions (Sheet 1 of 2)

Field	Subfield or refinement	Entry	Explanation and action
FEATKEY		see subfields	<i>KSET feature key</i> This field consists of subfields LEN, KEY, and FEAT.
	LEN	see subfields	<i>Line equipment number</i> This field defines the physical location of the equipment that is connected to a specific telephone line. Because field LEN is common to more than 60 tables, it is documented in a single section to avoid unnecessary duplication. Refer to section "Common entry field LEN" for a complete description of field LEN and associated subfields. For ISDN lines, field LEN consists of subfield LTID. For non-ISDN lines, field LEN consists of subfields SITE, FRAME, UNIT, DRAWER or LSG, SHELF, SLOT, and CIRCUIT.
	KEY	1 to 69	<i>Physical key</i> Enter the number associated with the physical key to which the feature is being assigned. For M2317 digital telephones, only keys 1 to 11 can be assigned.
	FEAT	XXTRG	<i>Feature</i> Enter XXTRG for the XX Trigger feature.
FEATURE		XXTRG	<i>Feature</i> Enter XXTRG.

KSETFEAT feature XXTRG (end)

Field descriptions (Sheet 2 of 2)

Field	Subfield or refinement	Entry	Explanation and action
KVAR		see subfields	<i>Key variable area</i> This field consists of subfield LINEATTR.
	LINEATTR	0 to 2047	<i>Line attribute</i> This field identifies the line attribute that is used to retranslate the routing number after the query is received from the service control point (SCP).

Datavill example

There is no example for the XXTRG feature.

KSETFEAT option JOIN

Conference Join

Datafill for table KSETFEAT option JOIN. consists of fields FEATKEY, FEATURE, and KVAR.

Datafill

The following table lists the datafill for table KSETFEAT option JOIN.

Field descriptions

Field	Subfield	Entry	Explanation and action
FEATKEY		see subfields	KSET feature key This field consists of subfields LEN and KEY.
	LEN	see subfields	Line equipment number This field defines the physical location of the equipment that is connected to a specific telephone line. Because field LEN is common to more than 60 tables, it is documented in a single section to avoid unnecessary duplication. Refer to section "Common entry field LEN" for a complete description of field LEN and associated subfields.
	KEY	1	Physical key Enter the number associated with the physical key to which the option is being assigned. This number must be 1.
FEATURE	FEAT	JOIN	Feature Enter JOIN for the Conference Join option.
KVAR		JOIN	Feature Enter JOIN for the Conference Join option.
<p>Note: Do not add or delete the KSETFEAT tuple with a table control command. Add or remove this option with a SERVORD command.</p>			

Datafill example

The following example shows sample datafill for table KSETFEAT option JOIN.

The JOIN option is assigned to the primary DN of an MBS/IVD set. For example, JOIN is added to key 1 of a set with LEN 0 0 6 10 at the host switching unit.

KSETFEAT option JOIN (end)

MAP display example for table KSETFEAT option JOIN

	FEATKEY	FEATURE	KVAR
HOST 00 0 06 10	1	JOIN	JOIN

KSETINV

Table name

Business Set and Data Unit Inventory Table

Functional description

Table KSETINV contains business set and data unit inventory data. An entry in this table must be datafilled for each card slot that is assigned to a business set or data unit (DU). Each line card slot must be datafilled in table LNINV before being datafilled in table KSETINV.

Seven of the formats that exist for this table are valid for business sets, two are only for datapaths or data units, and one is for ISDN offices.

The formats are as follows:

PSET

This is a business set without a liquid crystal display (LCD).

DISP

This is a business set with a display.

DATA

This is a data unit.

PDATA

This is a data unit for a plain ordinary telephone service (POTS) environment.

ISDNKSET

These are ISDN terminals.

M5008

This is a Meridian business set (MBS) with eight programmable feature keys and associated lamp indicators.

M5009

This is an MBS with nine programmable feature keys and associated lamp indicators.

M5208

This is an MBS with eight keys, associated lamp indicators, and built-in display.

M5209

This is an MBS with 12 keys, associated lamp indicators, and built-in display.

M5112

This is an MBS with 12 keys and integrated handsfree capability.

KSETINV (continued)

M5212

This is an MBS with 11 programmable feature or directory number keys, associated lamp indicators, and built-in display.

M5216

This is an MBS with 16 programmable feature or directory number keys, associated lamp indicators, and built-in display.

M5312

This is an MBS with 12 keys, associated lamp indicators, and built-in display.

M5316

This is an MBS with 16 keys, associated lamp indicators, built-in display and handsfree operation.

M6310

This is an MBS with 10 keys, associated lamp indicators, built-in display and handsfree operation.

M6320

This is an MBS with 20 keys, associated lamp indicators, built-in display and handsfree operation.

The following options are available for business sets and data units:

Customer data change (CDC)

This service enables the owner of the business set or DU to change the translation and routing parameters as needed.

36-button add-on unit (M536)

This option is only available for the MBS (M5009, M5209, M5112, M5212, M5312 series). This option allows the addition of a 36-button add-on unit to the set. The 36 button add-on has a fixed address of 30 to 65 when used for assigning features or directory numbers (DN) in tables KSETLINE and KSETFEAT.

22-button add-on unit (M622)

The M622 add-on provides an additional 22 feature assignable keys for use with the M6310 and M6320 Meridian Business Sets. This add-on is used only with the M6310 and M6320 MDSs. Up to two of these add-ons may be added. When one M622 is used it provides feature assignable keys 15 through 36. When a second add-on is used, the feature key numbering on the second unit begins with key 37 and continues through key 58.

KSETINV (continued)

22-button add-on unit (M522)

The M522 add-on provides an additional 22 feature assignable keys for use with the M5216 and M5316 Meridian Business Sets. This add-on is used only with the M5216 and M5316 MBSs. Up to two of these add-ons may be added. When one M522 is used it provides feature assignable keys 15 through 36. When a second add-on is used, the feature key numbering on the second unit begins with key 37 and continues through key 58.

18-button add-on unit (M518)

This option is only available for the MBS (M5009, M5209, M5112, M5212, M5312 series). This option allows the addition of an 18-button add-on unit to the set. The 18-button add-on unit has a fixed address of 12 to 29 for add-on 1, 30 to 47 for add-on 2, 48 to 65 for add-on 3 when used for assigning features or DNs in tables KSETLINE and KSETFEAT.

Keypad music on hold (KSMOH)

This option provides music on hold for keypad DNs.

Display module (M0022)

This option enables the addition of a 2-line by 24-character display to Meridian digital telephones M2008, M2616, M2016S, M2216A, and M2216B.

Key expansion module (M0220)

This option enables the addition of a 22-key add-on unit to Meridian digital telephones M2616, M2016S, M2216A, and M2216B.

Reason display (REASDSP)

This option is only available to business sets (DISP) and Meridian sets (M5209 and M5312) with display. This option displays information about the feature keys, DN keys, and call information on the incoming call to DN key, call waiting key or intercom without answering the call. Messages displayed can use the default set for the whole switch or one that is uniquely defined for each set in table REASONS.

Secure Set Option (SSO)

Datafilled in the table as SECURE, this option assigns the secure set option (SSO) feature to an M5009 secure set.

Other options that are available for business sets are: automatic handsfree (AUTOHF), repeated alert (RPA), softkey display (SKDISP), and Meridian Telecenter (TELECNTR).

KSETINV (continued)

Options M0220 and M0022 are assigned through table IVDINV for the Meridian digital telephone series.

Meridian business sets (MBS)

Meridian business sets (M5009, M5209, M5112, M5212, and M5312) provide fixed keys for volume control, hold and release and do not support extension or 20-button add-ons sets. The M5009, M5209, M5112, M5212, and M5312 series Meridian sets support the 18- or 36-button add-ons units. The last two digits indicate the number of keys on the set and the third digit indicates whether a key is dedicated to an integrated handsfree unit (0 if no, 1 if yes).

The sets are configured such that if data is available, then the last key is designated as a data DN. If integrated handsfree is available, it is the second last feature key on the set

Characteristics specific to each set type are described below.

M5008 set

The M5008 MBS has eight feature assignable key/lamp pairs in addition to the standard keys. There is no provision for handsfree, or an add-on.

M5009 set

The M5009 set has nine programmable feature keys and only one lamp for keys one to 8. Feature key 9 is designated for data, but can be used for other features that do not require a lamp such as Call Pickup.

M5208 set

The M5208 is an enhanced version of the M5008. In addition to the standard keys and the eight feature assignable key/lamp pairs, the M5208 has a built in display. As with the M5008 MBS there is no provision for handsfree, or an add-on.

M5209 set

The M5209 has nine programmable feature keys and all keys have an associated lamp. It also has a built-in display consisting of two lines of 24 characters each. The lower display line is for displaying dialed digits, and the upper line is for an incoming DN and other call information. To function, the M5209 requires local power for the display unit and lamp number 9.

M5112 set

The M5112 set is provided with an integrated handsfree unit and has 12 keys. Key 11 is dedicated to operate the mute or unmute function. Key 12 and its lamp are dedicated to operate the handsfree unit. All the other 10 keys and their associated lamps are available for feature assignment.

KSETINV (continued)

M5212 set

The M5212 set has 11 programmable feature or DN keys, associated lamp indicators, and built-in display.

M5216 set

The M5216 MBS has 16 key/lamp pairs in addition to the standard keys. The first 11 key/lamp pairs are feature assignable. Keys 12 to 14 are designated as local program keys. Optionally these keys can be used as feature assignable keys. Keys 15 and 16 are reserved for use as a local program key and a handset mute key.

The M5216 has a display and accepts a headset. It can be fitted with up to two M522 add-ons. There is no provision for handsfree.

M5312 set

The M5312 set is identical to the M5112 in function except it has an additional built-in display consisting of two lines of 24 characters each. The lower display line is for displaying dialed digits, and the upper line is for an incoming DN and other call information. Like the M5112, it has 10 feature DN keys. To function, the M5312 requires local power for the display unit, the handsfree unit, lamp number 9 and lamp number 10.

M5316 set

The M5316 MBS has 16 key/lamp pairs in addition to the standard keys. The first 13 key/lamp pairs are feature assignable. Keys 14 to 16 are designated as a local program key, a handsfree activation key, and a microphone mute/unmute key.

The M5316 has a display, and can be fitted with up to two M522 add-ons. There is no provision for a headset.

M6310 set

The M6310 has 10 key/lamp pairs in addition to the standard keys. Keys one to seven are feature assignable and keys eight to 10 are non-feature assignable. Key eight is the program key, key nine is the handsfree key and key 10 is the mute key.

The M6310 has a display and accepts a headset. It can be fitted with up to two M622 add-ons.

M6320 set

The M6320 has 20 key/lamp pairs in addition to the standard keys. Keys one to 13 are feature assignable and keys 14 to 20 are non-feature assignable. Key 14 is the program key, key 15 is the handsfree key and key 16 is the mute key.

KSETINV (continued)

The M6320 has a display and accepts a headset. It can be fitted with up to two M622 add-ons.

Meridian sets (M5000) add-ons

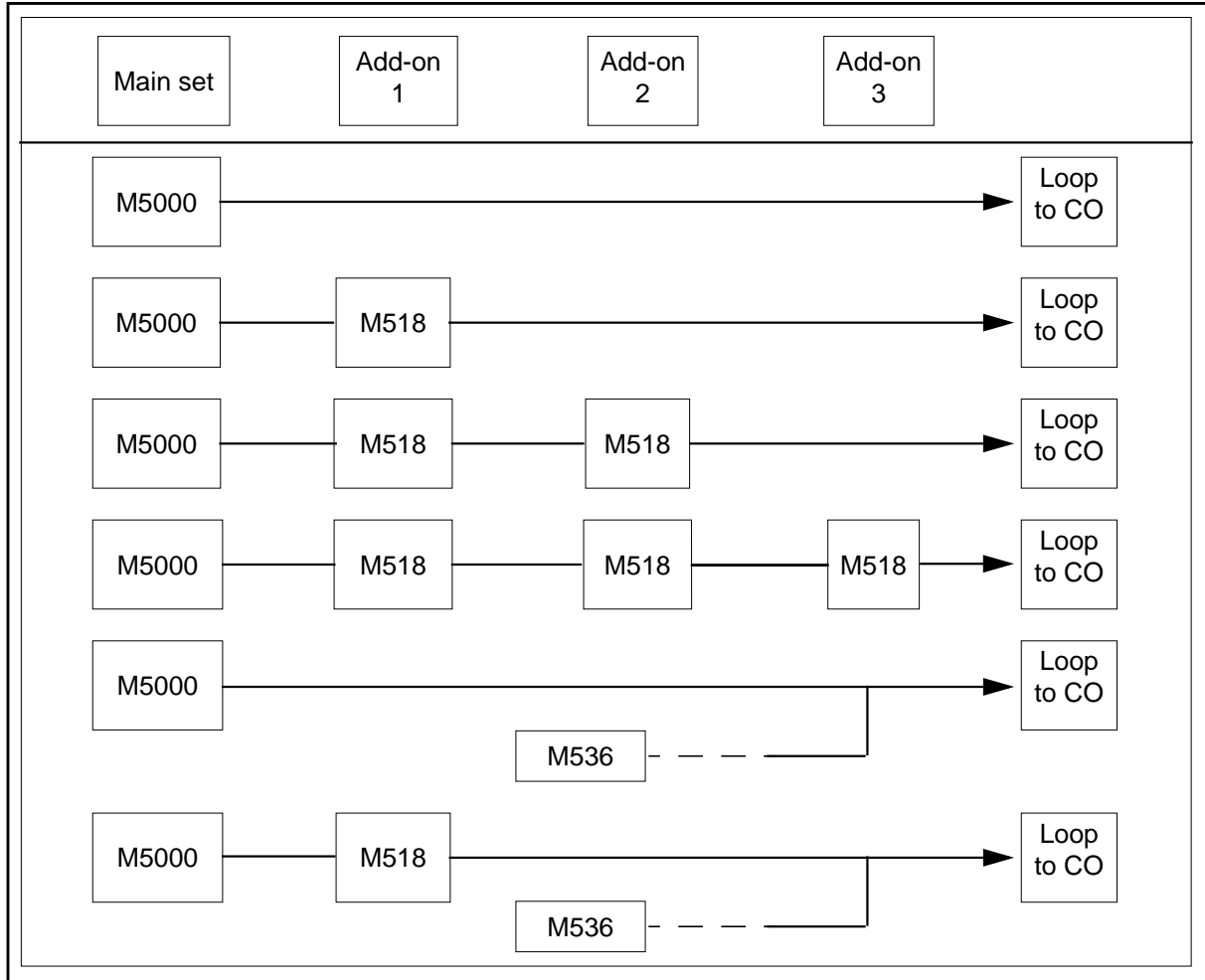
Three add-ons are available for the M5000 series Meridian sets. They are the M518 (18 button add-on), M522 (22-button add-on), and the M536 (36-button add-on). Every key on each add-on has an individual lamp and can be used for assigning DNs or features in tables KSETLINE and KSETFEAT.

Only one M536 and up to three M518 add-ons can be added to the (M5009, M5209, M5112, M5212, and M5312) MBSs. The M522 add-on may only be added to the M5216 and M5316 MBSs. Note that the M518 and M536 add-ons are not used with the M5008, M5209, M5216 or the M5316 MBSs. If mixed (both M518 and M536), only one M518 can be equipped.

The following figure shows all the allowable loop configurations of M518 and M536 as add-ons to the M5009, M5209, M5112, M5212, and M5312 MBSs.

Note 1: The M518 add-on must be connected in series (daisy chain) to the M5000 main set.

Note 2: The M536 add-on must be connected in parallel to the M5000 main set and occupies two unit addresses, 2 and 3, on the loop. If the M518 and M536 add-ons are attached together on the loop, the M518 must occupy unit address 1.

KSETINV (continued)**M5000 loop configuration**

The M518 add-on automatically selects its own lowest address on the loop. Upon being unplugged, the M518 with the next higher unit address assumes the unit address of the unplugged M518. This can cause possible confusion with the user's private labels on the M518 keys. An M518 must not be unplugged while there is another M518 above it on the loop.

The numbering for the feature DN keys on the M518 add-on is as follows:

- 12 to 29 as add-on 1
- 30 to 47 as add-on 2
- 48 to 65 as add-on 3

The M536 has key numbers 30 to 65 (can be viewed as consisting of two M518s as add-ons 2 and 3).

KSETINV (continued)**Meridian sets (M6000) add-on**

One add-on is available for the M6000 series Meridian sets. This is the M622 22 button add-on. Every key on has an individual lamp and can be used for assigning DNs or features in tables KSETLINE and KSETFEAT.

Datafill sequence and implications

The following tables must be datafilled before table KSETINV:

- ASRTABLE
- CDCLENS
- LNINV
- LTDEF
- RDTINV
- REASONS

Table size

Memory is automatically allocated for this table.

Datafill

The following table lists datafill for table KSETINV.

Field descriptions (Sheet 1 of 2)

Field	Subfield	Entry	Explanation and action
LEN		see subfields	<p><i>Line equipment number</i></p> <p>This field defines the physical location of the equipment that is connected to a specific telephone line.</p> <p>Because field LEN is common to more than 60 tables, it is documented in a single section to avoid unnecessary duplication. Refer to section "Common entry field LEN" for a complete description of field LEN and associated subfields.</p> <p>For ISDN lines, field LEN consists of subfield LTID. For non-ISDN lines, field LEN consists of subfields SITE, FRAME, UNIT, DRAWER or LSG, SHELF, SLOT, and CIRCUIT.</p>

KSETINV (continued)**Field descriptions (Sheet 2 of 2)**

Field	Subfield	Entry	Explanation and action
SETDATA		see subfield	<i>Setdata</i> This field consists of subfield KSET.
	KSET	DATA, DISP, ISDNKSET, M5008, M5009, M5208, M5112, M5209, M5212, M5216, M5312, M5316, M6310, M6320, PDATA, or PSET	<i>Keyset type</i> Enter the keyset type. Enter CXIP01 for Centrex-IP International line class code. Enter DATA for a data unit (DU). This also provides the basis for conditional routing of data calls. Enter DISP for business set with LCD display. This format is not valid for data units or business set add-on modules. A display set must be used as a main and not as an extension set. Incoming calls to the primary directory number (DN) are auto-displayed on both sets. The display of the set that answers remains active and the other set's display is cleared. In all other situations, only the active set's display is updated. For multiple appearance directory number (MADN) groups, incoming calls are auto-displayed on those sets whose members are primary DNs of their sets. Once answered, only the answering member's display remains active. Enter ISDNKSET for ISDN terminals. Enter one of the format names for the applicable Meridian Business set (MBS): M5008, M5009, M5208, M5209, M5112, M5212, M5216, M5312, M5316, M6310 or M6320. Enter PDATA for a POTS data unit. Enter PSET for business set stations without liquid crystal display (LCD).

KSETINV (continued)**KSET = DISP or PSET**

If the entry in field KSET is DISP or PSET, datafill subfields EXTDATA and ADDONS as described below.

Field descriptions for conditional datafill

Field	Subfield	Entry	Explanation and action
	EXTDATA	see subfields	<i>Extension data</i> This subfield consists of subfields EXTENSION and RING.
	EXTENSION	Y or N	<i>Extension set</i> Enter Y (yes) if the business set station has an extension set (hardware address 4) and datafill subfield RING. Otherwise, enter N (no) and datafill subfield ADDONS.
	RING	Y or N	<i>Ring extension</i> Enter Y if the extension set is rung on termination to the business set station. Otherwise, enter N.
	ADDONS	E5, E6, E7, S1, S2, or S3	<i>Add-on module list</i> Enter the list of add-on modules on the business set station. This field is a vector with up to six add-on modules. Separate each add-on name with a space and indicate the end of the vector with a \$. The first character in the name indicates whether the add-on is on the business set (S) or its extension (E). The second character, a digit, indicates the hardware address of the add-on module.

KSET = ISDNKSET

If the entry in field KSET is ISDNKSET, datafill subfield FANUM as described below.

Field descriptions for conditional datafill

Field	Subfield	Entry	Explanation and action
	FANUM	2 to 64	<i>Feature activated number</i> Enter the maximum number of keys that can be assigned to an ISDN KSET.

KSETINV (continued)**EXTENSION = Y**

If the entry in field EXTENSION is Y, datafill subfield RING as described below.

Field descriptions for conditional datafill

Field	Subfield	Entry	Explanation and action
	OPTIONS	see subfield	<i>Options list</i> This field consists of subfield OPTION.
	OPTION	AUTOHF, CDC, KSMOH, M0022, M0200, M518, M522, M536, M622 READDSP, RPA, SKDISP, TELECNTR, SECURE or blank	<i>Option</i> Enter the options. Refer to the section "Functional description of table KSETINV" for a description of the options.

OPTION = CDC

If the entry in field OPTION is CDC, datafill subfield CDC_OWNER as described below.

Field descriptions for conditional datafill

Field	Subfield	Entry	Explanation and action
	CDC_OWNER	alphanumeric (up to 8 characters)	<i>Customer data change owner</i> Enter the name of the operating client allowed to change this record. This name must be datafilled in table CDCLENS.

KSETINV (continued)**OPTION = M0022**

If the entry in field OPTION is M0022, datafill subfield M0022_COUNT as described below.

Field descriptions for conditional datafill

Field	Subfield	Entry	Explanation and action
	M0022_COUNT	1 or 2	<i>M0022 count</i> Enter the number of lines to be displayed.

OPTION = M518

If the entry in field OPTION is M518, datafill subfield QUANTITY as described below.

Field descriptions for conditional datafill

Field	Subfield	Entry	Explanation and action
	QUANTITY	0, 1, 2, or 3	<i>Quantity</i> If the entry in field OPTION is M518, enter the quantity of M518 in the loop. An entry of 0 means the M518 option is deleted. If the entry in field OPTION is M522, enter 0, 1, or 2. An entry of 0 means the M522 option is deleted.

OPTION = M622

If the entry in field OPTION is M622, datafill subfield QUANTITY as described below.

Field descriptions for conditional datafill

Field	Subfield	Entry	Explanation and action
	QUANTITY	0, 1 or 2	<i>Quantity</i> If the entry in field OPTION is M622, enter the quantity of M622s in the loop. An entry of 0 means the M622 option is deleted. If the entry in field OPTION is M622, enter 0, 1, or 2.

KSETINV (continued)**OPTION = REASDSP**

If the entry in field OPTION is REASDSP, datafill subfield REASTYPE as explained below.

Field descriptions for conditional datafill

Field	Subfield	Entry	Explanation and action
	REASTYPE	alphanumeric or DEFAULT- SET	<i>Reason type</i> Enter the name of the set of display messages displayed, as defined in table REASONS. If the default set of messages that are defined for the whole switch in table REASONS is used, enter DEFAULTSET.

Datafill example

The following example shows sample datafill for table KSETINV.

MAP display example for table KSETINV

LEN	SETDATA	OPTIONS
HOST 00 0 00 00	DISP N	\$ \$
HOST 00 0 08 00	DISP N	\$ \$
HOST 00 0 09 00	DISP N	\$ \$
HOST 00 0 09 01	DISP N	\$ \$

Error messages**NA012**

The following error message appears if the access privilege for the echo station LTID is incorrect. To avoid this error, field LTAP in table LTDEF is set to PB for B-channel packet switching.

Error: PB IS THE ONLY VALID ACCESS PRIVILEGE FOR AN ECHO STATION LTID.

KSETINV (continued)

The following error message appears if the logical terminal class is incorrect in table LTDEF. To avoid this error, field CLASSREF, subfield LTCLASS must contain BRAFS (basic rate access) for an echo station LTID.

Error: FOR AN ECHO STATION LTID, LTCLASS SHOULD BE BRAFS.

The following error message appears if the keyset type for the echo station LTID is incorrect in table KSETINV. To avoid this error, field SETDATA, subfield KSET must contain ISDNKSET.

Error: ES OPTION IS ALLOWED ONLY WITH ISDNKSET.

The following error message appears if field SETDATA, subfield OPTIONS contains options other than option ES. Other options are incompatible with the echo station option.

Error: ECHO STATION LTID CAN HAVE ONLY ES OPTION.

The following error message appears if you try to change the ES option for the echo station or try to add an ES option to a non-echo station LTID.

Error: CANNOT CHANGE ECHO STATION LTID TO NON ECHO STATION LTID OR VICE VERSA.

The following error message appears if the LTID specified in field LEN, subfield LTID was not defined in field LTKEY, subfield LTNUM, of table LTDEF.

Error: LTID IS NOT DATAFILLED IN TABLE LTDEF.

NA005

The following error message appears if an attempt is made to datafill this table using the table editor:

Protected table, use SERVORD to change.

This error message was added for the NA005 release in accordance with feature AN1653 (Enforcement of SERVORD).

All additions, deletions and changes must be entered using the Service Order System (SERVORD). For information, refer to the *SERVORD Reference Manual*.

Table history**MMP13**

Added new options M6310 and M6320 to the SETDATA field. Added new option M622 to the OPTION field.

NA012

Added error messages for feature 59006435, Echo Station X.25 Loopback Testing.

NA005

Error message information added to “Error messages” section in accordance with feature AN1653 (Enforcement of SERVORD).

KSETKEYS

Table name

Business Set Feature Keys Table

Functional description

Table KSETKEYS is used with service orders to define feature key templates and assign dedicated keys on a variety of business sets. Feature key templates use acronyms to represent various features.

The SDN (single directory number [DN]) acronym is used for the SDN for the Automatic Call Distribution (ACD) agent or the supervisor position.

A special BLK (blank key) acronym is used to indicate that a key position is not covered by the template. This acronym is used to define templates that cover only a portion of the keys on a business set. The key positions marked with BLK can be assigned on the set when the template is used.

A list of the different types of business sets that are supported by feature key templates is provided in the following table. The list below gives the actual acronym used to represent each type of business set as well as the maximum number of assignable feature keys found on each business set.

Business sets (Sheet 1 of 3)

Acronym	Business set or add-on modules	Assignment feature keys
ACDAGENT	ACD agent business set	
ACDSUPPER	ACD supervisor business set	
ADDON	20 key P-set add-on	20
ATA	analog terminal adapter	
BRAFS	ISDN key set (KSET) (function only) basic rate access functional set	64
BRAMFT	BRAMFT basic rate access multifrequency tone set	
DATA	data	7
MADO	Meridian asynchronous data option	6
MPDA	Meridian programmable data adapter	6
M518	M518 business set add-on	18

KSETKEYS (continued)**Business sets (Sheet 2 of 3)**

Acronym	Business set or add-on modules	Assignment feature keys
M522	M522 business set add-on	22
M536	M536 business set add-on	36
M622	M622 business set add-on	22
M0022	22-key add-on module for the M0200 series (display module for specific Meridian digital telephone sets)	22
M5008	Meridian business set (MBS) with 8 keys	8
M5009	P-phone (PSET), (repackaged business sets for Meridian that terminate on line concentrating modules [LCM])	8
M5208	MBS with 8 keys and built-in display	8
M5209	PSET with display (DISP)	8
M5112	PSET	9
M5212	MBS with 12 keys, built-in display, and handsfree	12
M5216	MBS with 16 keys, built-in display, and headset	16
M5312	PSET with DISP	9
M5316	MBS with 16 keys, built-in display, and handsfree	16
M6310	MBS with 10 keys, built-in display, and headset	7
M6320	MBS with 20 keys, built-in display, and headset	13
M2006	MBS with 6 keys	5
M2008	Completely digital sets that terminate on data line modules (DLM)	7
M2009	Completely digital sets that terminate on DLMS	8
M2018	Completely digital sets that terminate on DLMS	17
M2112	Completely digital sets that terminate on DLMS	10
M2317	Completely digital sets that terminate on DLMS	19

KSETKEYS (continued)**Business sets (Sheet 3 of 3)**

Acronym	Business set or add-on modules	Assignment feature keys
M2616	M2616, M2616CT, M2016S, M2216A, M2116B (completely digital sets that terminate on DLMs and IPE)	15
M3000	Completely digital sets that terminate on DLMs	13

A list of the features compatible with various feature key template types is shown in the following table.

Feature compatibility to FTRKEY template types (Sheet 1 of 3)

<i>Feature</i>	<i>Description</i>	Type of business set				
		<i>MBS</i>	<i>DATA</i>	<i>BRAFS</i>	<i>ACD AGENT</i>	<i>ACD SUPER</i>
3WC	Three-Way Calling	Y				
AAB	Automatic Answerback	Y				
AAK	Answer Agent Key					Y
ACDNR	ACD Not Ready				Y	Y
AEMK	Answer Emergency Key					Y
ASL	Agent Status Lamp					Y
AUD	Automatic Dial	Y	Y	Y	Y	Y
CAG	Call Agent Key					Y
CCV	Call Coverage	Y			Y	Y
CFX	Call Forwarding	Y	Y	Y		
CIF	Controlled Interflow					Y
CLSUP	Call Supervisor Key				Y	
CNF	Flexible Station Controlled Conference	Y			Y	Y
CPU	Call Pickup	Y		Y		
CWT	Call Waiting	Y			Y	Y

KSETKEYS (continued)**Feature compatibility to FTRKEY template types (Sheet 2 of 3)**

		Type of business set				
CXR	Call Transfer	Y			Y	Y
DASK	Display Agent Summary Key					Y
DCPK	Directed Call Park	Y				
DQS	Display Queue Status					Y
DQT	Display Queue Threshold				Y	Y
DROP	Drop Key			Y		
EBO	Busy Override	Y	Y	Y	Y	Y
EMK	Emergency Key	Y			Y	
EMW	Enhanced Message Waiting	Y				
FAA	Forced Agent Availability					Y
FC	Flexible Calling			Y		
HLD	Hold Key			Y		
INSPECT	Inspect Key	Y	Y			Y
LOB	Line of Business				Y	Y
LVM	Leave Message	Y			Y	Y
MCH	Malicious Call Hold	Y		Y	Y	Y
MSB	Make Set Busy	Y	Y	Y	Y	Y
MWIDC	Message Center Indicator	Y			Y	Y
MWQRY	Message Center Query	Y			Y	Y
MWT	Message Waiting	Y	Y	Y	Y	Y
NGTSVRCE	Night Service Key	Y				
OBS	Observe Agent Key					Y
PRK	Call Park	Y		Y		
PRL	Privacy Release	Y			Y	Y

KSETKEYS (continued)**Feature compatibility to FTRKEY template types (Sheet 3 of 3)**

		Type of business set				
PRV	Multiple Appearance Directory Number (MADN) Privacy	Y				
QTD	Query Time/Date	Y			Y	Y
RAG	Ring Again	Y	Y	Y	Y	Y
RLS	Release Key					
SCL	Speed Call Long	Y	Y	Y	Y	Y
SCS	Speed Call Short	Y	Y	Y	Y	Y
SCU	Speed Call User	Y	Y	Y	Y	Y
SDN	Secondary Directory Number				Y	Y
XFER	Transfer			Y		

Datafill sequence and implications

There is no requirement to datafill other tables prior to table KSETKEYS.

Table size

0 to 512 tuples

Table size increases automatically as new tuples are added.

Datafill

The following table lists datafill for table KSETKEYS.

Field descriptions (Sheet 1 of 5)

Field	Subfield	Entry	Explanation and action
TEMPLATE		alphanumeric (1 to 16 characters)	<i>Template name</i> Enter the name that identifies a particular feature key template. Feature key template names are defined by the operating company client.
SETINFO		see subfield	<i>Business set information</i> This field consists of a selector subfield SETTYPE.

KSETKEYS (continued)**Field descriptions (Sheet 2 of 5)**

Field	Subfield	Entry	Explanation and action
	SETTYPE	ACDAGENT ACDSUPER ADDON ATA BRAFS BRAMFT DATA M518 M522 M536 M622 M0022 M2006 M2008 M2009 M2018 M2112 M2317 M2616 M3000 M5008 M5018 M5208 M5209 M5212 M5216 M5312 M5316 M6310 M6320 MADO MCA MPDA	<i>Type of business set</i> Enter the type of business set to which the template applies. Refer to table "Business sets" in this document. If ACDAGENT or ACDSUPER is entered, datafill refinement ACDINFO. If the entry is ADDON, BRAFS, BRAMFT, M518, M522, or M536, go to refinement KEYNUM. If the entry is any other than those listed in the previous paragraphs, go to field FEATLIST.
	ACDINFO	see subfield	<i>Automatic Call Distribution information</i> If the entry in subfield SETTYPE is ACDAGENT or ACDSUPER, datafill this refinement. This field consists of subfield ACDSTYPE.

KSETKEYS (continued)

Field descriptions (Sheet 3 of 5)

Field	Subfield	Entry	Explanation and action
	ACDSTYPE	ADDON ATA BRAMFT DATA M518 M522 M536 M0022 M2006 M2008 M2009 M2018 M2112 M2317 M2616 M3000 M5008 M5018 M5112 M5208 M5209 M5212 M5216 M5312 M5316 MADO MCA MPDA	<p><i>Type of Automatic Call Distribution business set</i></p> <p>Enter the type of ACD business set to which the template applies.</p> <p>If the entry is ADDON, BRAFS, BRAMFT, M518, M522, M536, M0022, or M3000, datafill refinement KEYNUM.</p> <p>If the entry is any other than those listed in the previous paragraph, go to field FEATLIST.</p>
	KEYNUM	1 to 69	<p><i>Starting key number</i></p> <p>If the entry in subfield ACDSTYPE is ADDON, BRAFS, BRAMFT, M518, M522, M536, M0022, or M3000, datafill this refinement.</p> <p>Enter the key number associated with the first feature specified in field FEATLIST. All subsequent features in the list are assigned to consecutive key numbers following this entry. The list below shows the possible values of field KEYNUM for entries in field SETTYPE. For all other types of business sets, the starting key number is 2.</p>

KSETKEYS (continued)

Field descriptions (Sheet 4 of 5)

Field	Subfield	Entry	Explanation and action
	KEYNUM (continued)	<i>KEYNUM</i> <i>values</i>	<i>SETTYPE values</i>
		10, 30, 50	ADDON
		2, 34, 12,	BRAFS
		30, 48,	M518
		15, 37,	M522
		30,	M536
		7	M3000
		17, 39	M0022

KSETKEYS (continued)

Field descriptions (Sheet 5 of 5)

Field	Subfield	Entry	Explanation and action
	FEATLIST	3WC AAB AAK ACDNR ADN AEMK ASL AUD BLK CAG CFX CIF CLSUP CNF CPU CWT CXR DASK DCPK DQS DQT EBO EMK FAA HLD INSPECT LOB MCH MSB MWIDC MWQRY MWT NGTSRVCE OBS PRK PRLPRV QTD RAG RLS SCL SCS SCU	<p><i>Feature list</i></p> <p>Enter the business set features that define the feature key layout or template.</p> <p>When adding options that require additional parameters (such as CPU) to a FTRKEYS template, ensure that one of the following conditions exists:</p> <ul style="list-style-type: none"> • The option has already been assigned to the same lines as the FTRKEYS template. • The option will be assigned to the same lines as the FTRKEYS template, as well as in the same command as the template. Assign the option in one of the following ways: <ul style="list-style-type: none"> — Add the option to the line explicitly (in a single ADO command). — Assign a feature group that contains the option to the line.

KSETKEYS (end)**Datafill example**

The following example shows sample datafill for table KSETKEYS.

MAP display example for table KSETKEYS

TEMPLATE	SETINFO		FEATLIST			
BNRAGENT	ACDAGENT	M5209				
			CLSUP	ACDNR	MSB	
			EMK	DQT	3WC	RAG
						SDN
BNRSUPADDON	ACDAGENT	M518	12			
				ASL	ASL	ASL
				SDN		
				BLK	BLK	RAG
						3WC
MBS12MER	ACDAGENT	M5212				
						3WC
						CFU
						RAG

Table history**MMP13**

The SETDATA subfield SETTYPE adds set types 6310 and 6320 and add-on M622.

NA011

Deleted BRAKS from lists of business sets. You can no longer provision BRAKS types of ISDN on the switch through table control. Obsolete BRAKS LTIDs that were present have been changed to default BRAFS LTIDs.

NA008

Added ATA and M2616CT business set.

NA005

Added information in subfield FEATLIST about options requiring additional parameters.

NA004

Added LCCs for M5008, M5208, M5216, M5316, and the M522 add-on.

CSP02

Updated to reflect that option MCH is compatible for the BRAFS business set type in the Australian environment.

KSETINV

Table name

Business Set and Data Unit Inventory Table

Functional description

Table KSETINV contains business set and data unit inventory data. An entry in this table must be datafilled for each card slot that is assigned to a business set or data unit (DU). Each line card slot must be datafilled in table LNINV before being datafilled in table KSETINV.

Seven of the formats that exist for this table are valid for business sets, two are only for datapaths or data units, and one is for ISDN offices.

The formats are as follows:

PSET

This is a business set without a liquid crystal display (LCD).

DISP

This is a business set with a display.

DATA

This is a data unit.

PDATA

This is a data unit for a plain ordinary telephone service (POTS) environment.

ISDNKSET

These are ISDN terminals.

M5008

This is a Meridian business set (MBS) with eight programmable feature keys and associated lamp indicators.

M5009

This is an MBS with nine programmable feature keys and associated lamp indicators.

M5208

This is an MBS with eight keys, associated lamp indicators, and built-in display.

M5209

This is an MBS with 12 keys, associated lamp indicators, and built-in display.

M5112

This is an MBS with 12 keys and integrated handsfree capability.

M5212

This is an MBS with 11 programmable feature or directory number keys, associated lamp indicators, and built-in display.

M5216

This is an MBS with 16 programmable feature or directory number keys, associated lamp indicators, and built-in display.

M5312

This is an MBS with 12 keys, associated lamp indicators, and built-in display.

M5316

This is an MBS with 16 keys, associated lamp indicators, built-in display and handsfree operation.

M6310

This is an MBS with 10 keys, associated lamp indicators, built-in display and handsfree operation.

M6320

This is an MBS with 20 keys, associated lamp indicators, built-in display and handsfree operation.

The following options are available for business sets and data units:

Customer data change (CDC)

This service enables the owner of the business set or DU to change the translation and routing parameters as needed.

36-button add-on unit (M536)

This option is only available for the MBS (M5009, M5209, M5112, M5212, M5312 series). This option allows the addition of a 36-button add-on unit to the set. The 36 button add-on has a fixed address of 30 to 65 when used for assigning features or directory numbers (DN) in tables KSETLINE and KSETFEAT.

22-button add-on unit (M622)

The M622 add-on provides an additional 22 feature assignable keys for use with the M6310 and M6320 Meridian Business Sets. This add-on is used only with the M6310 and M6320 MDSs. Up to two of these add-ons may be added. When one M622 is used it provides feature assignable keys 15 through 36. When a second add-on is used, the feature key numbering on the second unit begins with key 37 and continues through key 58.

22-button add-on unit (M522)

The M522 add-on provides an additional 22 feature assignable keys for use with the M5216 and M5316 Meridian Business Sets. This add-on is

used only with the M5216 and M5316 MBSs. Up to two of these add-ons may be added. When one M522 is used it provides feature assignable keys 15 through 36. When a second add-on is used, the feature key numbering on the second unit begins with key 37 and continues through key 58.

18-button add-on unit (M518)

This option is only available for the MBS (M5009, M5209, M5112, M5212, M5312 series). This option allows the addition of an 18-button add-on unit to the set. The 18-button add-on unit has a fixed address of 12 to 29 for add-on 1, 30 to 47 for add-on 2, 48 to 65 for add-on 3 when used for assigning features or DNs in tables KSETLINE and KSETFEAT.

Keypad music on hold (KSMOH)

This option provides music on hold for keypad DNs.

Display module (M0022)

This option enables the addition of a 2-line by 24-character display to Meridian digital telephones M2008, M2616, M2016S, M2216A, and M2216B.

Key expansion module (M0220)

This option enables the addition of a 22-key add-on unit to Meridian digital telephones M2616, M2016S, M2216A, and M2216B.

Reason display (REASDSP)

This option is only available to business sets (DISP) and Meridian sets (M5209 and M5312) with display. This option displays information about the feature keys, DN keys, and call information on the incoming call to DN key, call waiting key or intercom without answering the call. Messages displayed can use the default set for the whole switch or one that is uniquely defined for each set in table REASONS.

Secure Set Option (SSO)

Datafilled in the table as SECURE, this option assigns the secure set option (SSO) feature to an M5009 secure set.

Other options that are available for business sets are: automatic handsfree (AUTOHF), repeated alert (RPA), softkey display (SKDISP), and Meridian Telecenter (TELECENR).

Options M0220 and M0022 are assigned through table IVDINV for the Meridian digital telephone series.

Meridian business sets (MBS)

Meridian business sets (M5009, M5209, M5112, M5212, and M5312) provide fixed keys for volume control, hold and release and do not support extension or 20-button add-ons sets. The M5009, M5209, M5112, M5212, and M5312 series Meridian sets support the 18- or 36-button add-ons units. The last two digits indicate the number of keys on the set and the third digit indicates whether a key is dedicated to an integrated handsfree unit (0 if no, 1 if yes).

The sets are configured such that if data is available, then the last key is designated as a data DN. If integrated handsfree is available, it is the second last feature key on the set

Characteristics specific to each set type are described below.

M5008 set

The M5008 MBS has eight feature assignable key/lamp pairs in addition to the standard keys. There is no provision for handsfree, or an add-on.

M5009 set

The M5009 set has nine programmable feature keys and only one lamp for keys one to 8. Feature key 9 is designated for data, but can be used for other features that do not require a lamp such as Call Pickup.

M5208 set

The M5208 is an enhanced version of the M5008. In addition to the standard keys and the eight feature assignable key/lamp pairs, the M5208 has a built in display. As with the M5008 MBS there is no provision for handsfree, or an add-on.

M5209 set

The M5209 has nine programmable feature keys and all keys have an associated lamp. It also has a built-in display consisting of two lines of 24 characters each. The lower display line is for displaying dialed digits, and the upper line is for an incoming DN and other call information. To function, the M5209 requires local power for the display unit and lamp number 9.

M5112 set

The M5112 set is provided with an integrated handsfree unit and has 12 keys. Key 11 is dedicated to operate the mute or unmute function. Key 12 and its lamp are dedicated to operate the handsfree unit. All the other 10 keys and their associated lamps are available for feature assignment.

M5212 set

The M5212 set has 11 programmable feature or DN keys, associated lamp indicators, and built-in display.

M5216 set

The M5216 MBS has 16 key/lamp pairs in addition to the standard keys. The first 11 key/lamp pairs are feature assignable. Keys 12 to 14 are designated as local program keys. Optionally these keys can be used as feature assignable keys. Keys 15 and 16 are reserved for use as a local program key and a handset mute key.

The M5216 has a display and accepts a headset. It can be fitted with up to two M522 add-ons. There is no provision for handsfree.

M5312 set

The M5312 set is identical to the M5112 in function except it has an additional built-in display consisting of two lines of 24 characters each. The lower display line is for displaying dialed digits, and the upper line is for an incoming DN and other call information. Like the M5112, it has 10 feature DN keys. To function, the M5312 requires local power for the display unit, the handsfree unit, lamp number 9 and lamp number 10.

M5316 set

The M5316 MBS has 16 key/lamp pairs in addition to the standard keys. The first 13 key/lamp pairs are feature assignable. Keys 14 to 16 are designated as a local program key, a handsfree activation key, and a microphone mute/unmute key.

The M5316 has a display, and can be fitted with up to two M522 add-ons. There is no provision for a headset.

M6310 set

The M6310 has 10 key/lamp pairs in addition to the standard keys. Keys one to seven are feature assignable and keys eight to 10 are non-feature assignable. Key eight is the program key, key nine is the handsfree key and key 10 is the mute key.

The M6310 has a display and accepts a headset. It can be fitted with up to two M622 add-ons.

M6320 set

The M6320 has 20 key/lamp pairs in addition to the standard keys. Keys one to 13 are feature assignable and keys 14 to 20 are non-feature assignable. Key 14 is the program key, key 15 is the handsfree key and key 16 is the mute key.

The M6320 has a display and accepts a headset. It can be fitted with up to two M622 add-ons.

Meridian sets (M5000) add-ons

Three add-ons are available for the M5000 series Meridian sets. They are the M518 (18 button add-on), M522 (22-button add-on), and the M536 (36-button add-on). Every key on each add-on has an individual lamp and can be used for assigning DNs or features in tables KSETLINE and KSETFEAT.

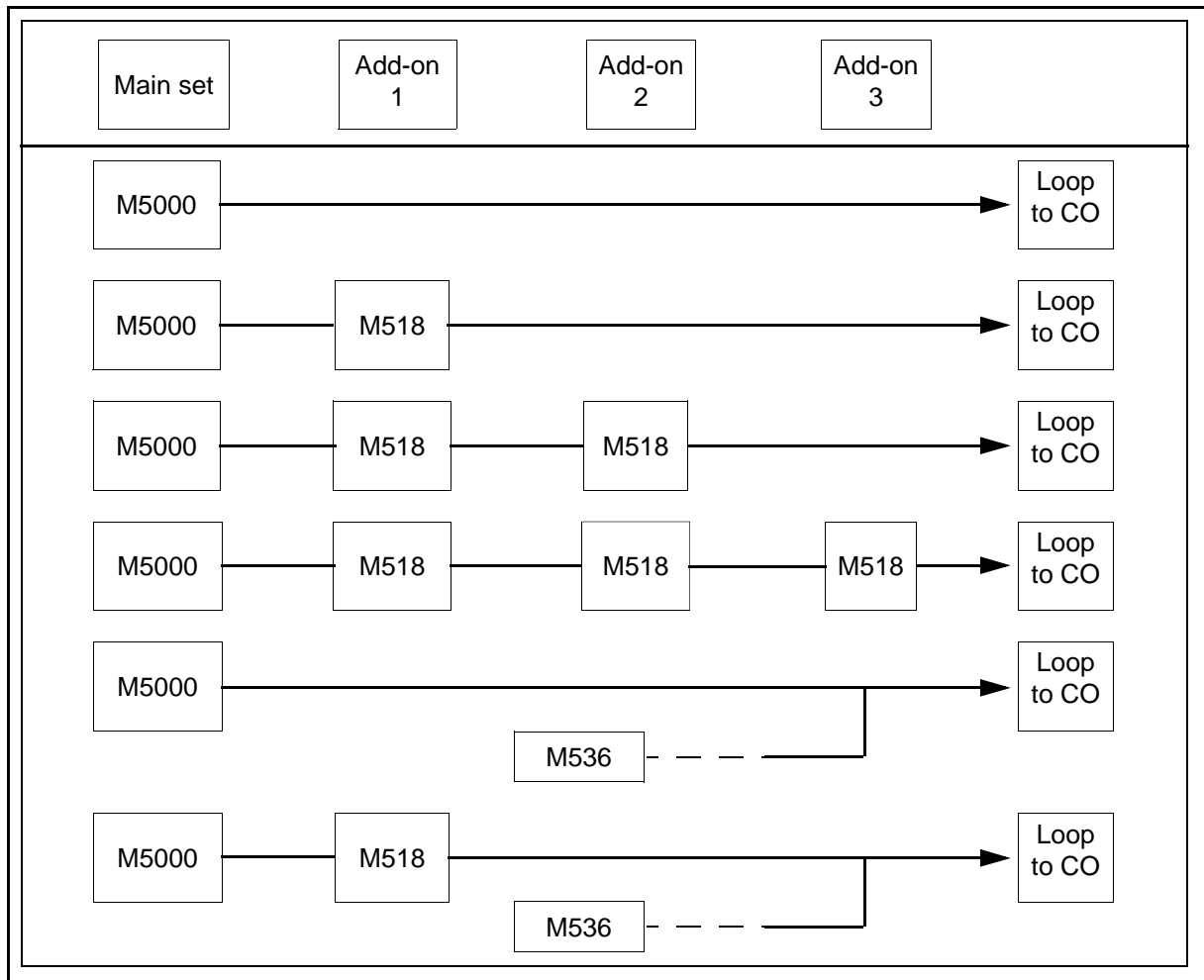
Only one M536 and up to three M518 add-ons can be added to the (M5009, M5209, M5112, M5212, and M5312) MBSs. The M522 add-on may only be added to the M5216 and M5316 MBSs. Note that the M518 and M536 add-ons are not used with the M5008, M5209, M5216 or the M5316 MBSs. If mixed (both M518 and M536), only one M518 can be equipped.

The following figure shows all the allowable loop configurations of M518 and M536 as add-ons to the M5009, M5209, M5112, M5212, and M5312 MBSs.

Note 1: The M518 add-on must be connected in series (daisy chain) to the M5000 main set.

Note 2: The M536 add-on must be connected in parallel to the M5000 main set and occupies two unit addresses, 2 and 3, on the loop. If the M518 and M536 add-ons are attached together on the loop, the M518 must occupy unit address 1.

M5000 loop configuration



The M518 add-on automatically selects its own lowest address on the loop. Upon being unplugged, the M518 with the next higher unit address assumes the unit address of the unplugged M518. This can cause possible confusion with the user's private labels on the M518 keys. An M518 must not be unplugged while there is another M518 above it on the loop.

The numbering for the feature DN keys on the M518 add-on is as follows:

- 12 to 29 as add-on 1
- 30 to 47 as add-on 2
- 48 to 65 as add-on 3

The M536 has key numbers 30 to 65 (can be viewed as consisting of two M518s as add-ons 2 and 3).

Meridian sets (M6000) add-on

One add-on is available for the M6000 series Meridian sets. This is the M622 22 button add-on. Every key on has an individual lamp and can be used for assigning DNs or features in tables KSETLINE and KSETFEAT.

Datafill sequence and implications

The following tables must be datafilled before table KSETINV:

- ASRTABLE
- CDCLENS
- LNINV
- LTDEF
- RDTINV
- REASONS

Table size

0 to 253,944 tuples.

Datafill

The following table lists datafill for table KSETINV.

Field descriptions

Field	Subfield	Entry	Explanation and action
LEN		see subfields	<p><i>Line equipment number</i></p> <p>This field defines the physical location of the equipment that is connected to a specific telephone line.</p> <p>Because field LEN is common to more than 60 tables, it is documented in a single section to avoid unnecessary duplication. Refer to section "Common entry field LEN" for a complete description of field LEN and associated subfields.</p> <p>For ISDN lines, field LEN consists of subfield LTID. For non-ISDN lines, field LEN consists of subfields SITE, FRAME, UNIT, DRAWER or LSG, SHELF, SLOT, and CIRCUIT.</p>

Field descriptions

Field	Subfield	Entry	Explanation and action
SETDAT A		see subfield	<i>Setdata</i> This field consists of subfield KSET.
	KSET	DATA, DISP, ISDNKSE T, M5008, M5009, M5208, M5112, M5209, M5212, M5216, M5312, M5316, M6310, M6320, PDATA, or PSET	<p><i>Keyset type</i> Enter the keyset type.</p> <p>Enter CXIP01 for Centrex-IP International line class code.</p> <p>Enter DATA for a data unit (DU). This also provides the basis for conditional routing of data calls.</p> <p>Enter DISP for business set with LCD display. This format is not valid for data units or business set add-on modules. A display set must be used as a main and not as an extension set. Incoming calls to the primary directory number (DN) are auto-displayed on both sets. The display of the set that answers remains active and the other set's display is cleared. In all other situations, only the active set's display is updated. For multiple appearance directory number (MADN) groups, incoming calls are auto-displayed on those sets whose members are primary DNs of their sets. Once answered, only the answering member's display remains active.</p> <p>Enter ISDNKSET for ISDN terminals.</p> <p>Enter one of the format names for the applicable Meridian Business set (MBS): M5008, M5009, M5208, M5209, M5112, M5212, M5216, M5312, M5316, M6310 or M6320.</p> <p>Enter PDATA for a POTS data unit.</p> <p>Enter PSET for business set stations without liquid crystal display (LCD).</p>

KSET = DISP or PSET

If the entry in field KSET is DISP or PSET, datafill subfields EXTDATA and ADDONS as described below.

Field descriptions for conditional datafill

Field	Subfield	Entry	Explanation and action
	EXTDATA	see subfields	<i>Extension data</i> This subfield consists of subfields EXTENSION and RING.
	EXTENSION	Y or N	<i>Extension set</i> Enter Y (yes) if the business set station has an extension set (hardware address 4) and datafill subfield RING. Otherwise, enter N (no) and datafill subfield ADDONS.
	RING	Y or N	<i>Ring extension</i> Enter Y if the extension set is rung on termination to the business set station. Otherwise, enter N.
	ADDONS	E5, E6, E7, S1, S2, or S3	<i>Add-on module list</i> Enter the list of add-on modules on the business set station. This field is a vector with up to six add-on modules. Separate each add-on name with a space and indicate the end of the vector with a \$. The first character in the name indicates whether the add-on is on the business set (S) or its extension (E). The second character, a digit, indicates the hardware address of the add-on module.

KSET = ISDNKSET

If the entry in field KSET is ISDNKSET, datafill subfield FANUM as described below.

Field descriptions for conditional datafill

Field	Subfield	Entry	Explanation and action
	FANUM	2 to 64	<i>Feature activated number</i> Enter the maximum number of keys that can be assigned to an ISDN KSET.

EXTENSION = Y

If the entry in field EXTENSION is Y, datafill subfield RING as described below.

Field descriptions for conditional datafill

Field	Subfield	Entry	Explanation and action
	OPTION S	see subfield	<i>Options list</i> This field consists of subfield OPTION.
	OPTION	AUTOHF, CDC, KSMOH, M0022, M0200, M518, M522, M536, M622 READDSP , RPA, SKDISP, TELECNT R, SECURE or blank	<i>Option</i> Enter the options. Refer to the section "Functional description of table KSETINV" for a description of the options.

OPTION = CDC

If the entry in field OPTION is CDC, datafill subfield CDC_OWNER as described below.

Field descriptions for conditional datafill

Field	Subfield	Entry	Explanation and action
	CDC_OWN ER	alphanu- meric (up to 8 characters)	<i>Customer data change owner</i> Enter the name of the operating client allowed to change this record. This name must be datafilled in table CDCLENS.

OPTION = M0022

If the entry in field OPTION is M0022, datafill subfield M0022_COUNT as described below.

Field descriptions for conditional datafill

Field	Subfield	Entry	Explanation and action
	M0022_COUNT	1 or 2	<i>M0022 count</i> Enter the number of lines to be displayed.

OPTION = M518

If the entry in field OPTION is M518, datafill subfield QUANTITY as described below.

Field descriptions for conditional datafill

Field	Subfield	Entry	Explanation and action
	QUANTITY	0, 1, 2, or 3	<i>Quantity</i> If the entry in field OPTION is M518, enter the quantity of M518 in the loop. An entry of 0 means the M518 option is deleted. If the entry in field OPTION is M522, enter 0, 1, or 2. An entry of 0 means the M522 option is deleted.

OPTION = M622

If the entry in field OPTION is M622, datafill subfield QUANTITY as described below.

Field descriptions for conditional datafill

Field	Subfield	Entry	Explanation and action
	QUANTITY	0, 1 or 2	<i>Quantity</i> If the entry in field OPTION is M622, enter the quantity of M622s in the loop. An entry of 0 means the M622 option is deleted. If the entry in field OPTION is M622, enter 0, 1, or 2.

OPTION = REASDSP

If the entry in field OPTION is REASDSP, datafill subfield REASTYPE as explained below.

Field descriptions for conditional datafill

Field	Subfield	Entry	Explanation and action
	REASTYPE	alphanumeric or DEFAULT-SET	<i>Reason type</i> Enter the name of the set of display messages displayed, as defined in table REASONS. If the default set of messages that are defined for the whole switch in table REASONS is used, enter DEFAULTSET.

Error messages**NA012**

The following error message appears if the access privilege for the echo station LTID is incorrect. To avoid this error, field LTAP in table LTDEF is set to PB for B-channel packet switching.

Error: PB IS THE ONLY VALID ACCESS PRIVILEGE FOR AN ECHO STATION LTID.

The following error message appears if the logical terminal class is incorrect in table LTDEF. To avoid this error, field CLASSREF, subfield LTCLASS must contain BRAFS (basic rate access) for an echo station LTID.

Error: FOR AN ECHO STATION LTID, LTCLASS SHOULD BE BRAFS.

The following error message appears if the keyset type for the echo station LTID is incorrect in table KSETINV. To avoid this error, field SETDATA, subfield KSET must contain ISDNKSET.

Error: ES OPTION IS ALLOWED ONLY WITH ISDNKSET.

The following error message appears if field SETDATA, subfield OPTIONS contains options other than option ES. Other options are incompatible with the echo station option.

Error: ECHO STATION LTID CAN HAVE ONLY ES OPTION.

The following error message appears if you try to change the ES option for the echo station or try to add an ES option to a non-echo station LTID.

```
Error: CANNOT CHANGE ECHO STATION LTID TO NON ECHO
STATION LTID OR VICE VERSA.
```

The following error message appears if the LTID specified in field LEN, subfield LTID was not defined in field LTKEY, subfield LTNUM, of table LTDEF.

```
Error: LTID IS NOT DATAFILLED IN TABLE LTDEF.
```

NA005

The following error message appears if an attempt is made to datafill this table using the table editor:

```
Protected table, use SERVORD to change.
```

This error message was added for the NA005 release in accordance with feature AN1653 (Enforcement of SERVORD).

All additions, deletions and changes must be entered using the Service Order System (SERVORD). For information, refer to the *SERVORD Reference Manual*.

Table history

(I)SN08

Added revised table size (see A00007790) for the North American market.

MMP13

Added new options M6310 and M6320 to the SETDATA field. Added new option M622 to the OPTION field.

NA012

Added error messages for feature 59006435, Echo Station X.25 Loopback Testing.

NA005

Error message information added to "Error messages" section in accordance with feature AN1653 (Enforcement of SERVORD).

KSETLINE

Table name

Business Set and Data Unit Line Assignment

Functional description

This table contains the directory number (DN) appearances for business sets and data units. One entry is required for each DN-related key on a business set and a data unit.

Business sets include the integrated voice and data M2000 and M3000 digital telephones (M2009, M2112, M2018, M2317 and M3000).

Data units include the Meridian asynchronous data option (MADO) and the touch asynchronous data option (TADO). The TADO is referred to as a MADO in table control.

Four formats are provided for entries in this table:

- DN
DN is provided for regular DNs, which includes private business lines.
- MDN
MDN is provided for DNs that belong to a multiple appearance DN (MADN) group.
- GIC
GIC is provided for lines that are members of a group intercom (GIC) group.
- ACD
ACD is provided for lines that are members of an automatic call distribution (ACD).

The key for this table is either a line equipment number (LEN) or logical terminal identifier (LTID). The LEN is the key for P-phones, data units, and other existing business sets. The LTID is the key for integrated services digital network (ISDN) terminals.

A remote digital terminal (RDT) related tuple can only be added in this table if the CARDCODE field in table LNINV is RDTEBS.

When datafilling an RDT related entry in a table, the operating company is prompted for the RDT LEN format.

KSETLINE (continued)

The following table lists options that can be assigned to business sets and data units. Some options are not valid for a data unit.

For compatibility of options, features, and line class codes (LCC), see the *Basic Translations Tools Guide*.

Options and assignments

Option	Business set	Data unit
Aggregate Calling Number Delivery Recording (ACR)	Y	
AMA Test (AMATEST)	Y	
Access to Messaging (AMSG)	Y	Y
Access to Messaging Deny (AMSGDENY)	Y	
Aggregate Redirecting Number Delivery Recording (ARR)	Y	
Anonymous Caller Rejection (ACRJ)	Y	
Basic Rate Interface Calling Line Identification (BRICLID)	Y	
Block Called Number (BLOCKDCN))	Y	
Block Calling Number (BLOCKCGN)	Y	
Charge (CHG)	Y	
800 Calling Number Identification (CID) (Note)	Y	Y
Call Completion to Busy Subscriber (CCBS)	Y	Y
Call Completion on No Reply (CCNR). CCNR can be assigned to ETSI ISDN terminals only.	Y (ETSI ISDN)	
Call Transfer Warning (CTW)	Y	
Call Waiting Intragroup (CWI)	Y	
Call Waiting Originate (CWO)	Y	
Call Waiting Ringback (CWR)	Y	
Note: The external symbols for CID and DNID are NTS_CID and NTS_DNID, respectively. These external symbols are used when accessing SERVORD and datafilling table KSETLINE.		

KSETLINE (continued)**Options and assignments**

Option	Business set	Data unit
Call Waiting Exempt (CWX)	Y	
Caller ID Delivery and Suppression (CIDS) Delivery (CIDSDLV)	Y	
Cancel Call Waiting (CCW)	Y	
CIDS Suppression (CIDSSUP)	Y	
Connected Party Line Presentation for BRI (COLP). COLP can only be assigned to ETSI BRI. That is, it works only with ISDN terminals.	Y (ETSI ISDN)	
Connected Party Line Restriction Override for BRI (COLROVR). COLROVR can only be assigned to ETSI BRI. That is, it works only with ETSI ISDN terminals.	Y (ETSI ISDN)	
Default Directory Number (DFDN) on ISDN Integrated Terminals (IT)	Y	Y
Denied Call Forwarding (DCF)	Y	Y
Denied Originating Service (DOR)	Y	Y
Denied Terminating Service (DTM)	Y	Y
Detailed Privacy Change Allowed Recording (DPCAR)	Y	
Dial Call Waiting (CWD)	Y	
800 Dialed Number Identification Delivery (DNID) (Note)	Y	Y
Directed Call Pickup Barge-in (DCBI)	Y	
Directed Call Pickup Barge-in Exempt (DCBX)	Y	Y
Directed Call Pickup Non Barge-in (DCPU)	Y	
Directed Call Pickup Non Barge-in Exempt (DCPX)	Y	Y
Note: The external symbols for CID and DNID are NTS_CID and NTS_DNID, respectively. These external symbols are used when accessing SERVORD and datafilling table KSETLINE.		

KSETLINE (continued)**Options and assignments**

Option	Business set	Data unit
Disconnect Time-out (DISCTO)	Y	
Essential Line Service (ELN)	Y	Y
ETSI Call Hold (HOLD). This option can only be assigned to ETSI ISDN terminals.	Y (ETSI ISDN)	
Executive Busy Override Exempt (EBX)	Y	Y
Explicit Call Transfer (ECT)	Y (ETSI ISDN)	
Free Number Terminating (FNT)	Y	Y
In Call Service Deactivation (ICSDEACT)	Y	
Incoming International Call Barring (IICB)	Y (ETSI ISDN)	
Inhibit Line Busy (ILB)	Y	Y
Inhibit Make Busy (IMB)	Y	Y
Inhibit Ring Reminder (IRR)	Y	
Note: IRR can only be added to a DN key of KSET.		
Last Number Redial (LNR)	Y	Y
Last Number Redial Associated with Set (LNRA)	Y	
Note: LNRA cannot be assigned if LNR is assigned to a set. The two options are mutually exclusive. LNRA can be assigned to the primary DN (PDN) of a set only.		
Local Call Detail Recording (LCDR)	Y	Y
Make Busy Key (MBK)	Y	Y
Note: The external symbols for CID and DNID are NTS_CID and NTS_DNID, respectively. These external symbols are used when accessing SERVORD and datafilling table KSETLINE.		

KSETLINE (continued)**Options and assignments**

Option	Business set	Data unit
Make Set Busy (MSB)	Y	Y
<p>Note: If MSB or MSBI is assigned in table KSETFEAT to a vacant key, that variation applies to all DN appearances on the set except private business lines (PBL). Assigning MSB and MSBI in table KSETLINE is not required.</p>		
Make Set Busy Intragroup (MSBI)	Y	Y
Message Deactivation (MSGDEACT)	Y	
Migrate	Y	
Network Translated Address Indicator Termination (NTAIT)	Y	
<p>Note: For PBX termination there is only the NTAIT translation option but no NTAIT line option. The NTAIT line option is used for IBN lines, V5.2, PPHONE but not used for ETSI ISDN lines.</p>		
No Double Connection (NDC)	Y	Y
<p>Note: Option NDC is always assigned to data unit lines even if not specified in the options list.</p>		
No Receiver Off-hook Tone (NOH)	Y	Y
No Screening Option in Case of Basic Rate Interface Connected Party Line Presentation (NOCOLPSCR). NOCOLPSCR can only be assigned to ETSI BRI. That is, it works only with ETSI ISDN terminals.	Y (ETSI ISDN)	
On-demand B-channel (ODB) applies only to the table KSETLINE DN format and can be assigned only to NI2 2BD ISDN terminals.	Y (ISDN)	
<p>Note: The external symbols for CID and DNID are NTS_CID and NTS_DNID, respectively. These external symbols are used when accessing SERVORD and datafilling table KSETLINE.</p>		

KSETLINE (continued)**Options and assignments**

Option	Business set	Data unit
Operator Number Identification (ONI)	Y	
Packet Mode Data (PMD)	Y	Y
Note: An attempt to provision PMD on key 1 of an integrated terminal (IT) generates a warning (see DFDN).		
Plug Up Trouble Intercept (PLP)	Y	
Prevent Deletion Option (PDO)	Y	Y
Privacy Change Allowed CIDS (PCACIDS)	Y	
Restricted Sent Paid (RSP)	Y	
Secondary Language (SL)	Y	
Single Functional Call (SFC)	Y	
Special Delivery Service (SDS)	Y	
Special Delivery Service Deny (SDSDENY)	Y	
Station Message Detail Recording (SMDR)	Y	
Station Origination Restrictions Controller (SORC)	Y	
Suspended Service (SUS)	Y	Y
Time and Charge Services on 1+ Calls (ATC)	Y	
Toll Essential Service (TES)	Y	Y
Uniform Call Distribution (UCD)	Y	
Note: The external symbols for CID and DNID are NTS_CID and NTS_DNID, respectively. These external symbols are used when accessing SERVORD and datafilling table KSETLINE.		

The following features appear in the options list of table KSETLINE after they are assigned in table KSETFEAT. If these options are entered when adding a

KSETLINE (continued)

new DN in table KSETLINE, they are ignored unless the option is already assigned to the line in table KSETFEAT.

- Anonymous Caller Rejection (ACRJ)
- Auto Answer Back (AAB)
- Automatic Call Back (ACB, ACBAMA)
- Automatic Recall (AR)
- Call Forwarding (CFW)
- Call Forwarding per DN per Call Type (CFXDNCT)
- Call Pickup (CPU)
- Customer Originated Trace (COT, COTAMA)
- Call Waiting (CWT)
- Directed Call Park (DCPK)
- Executive Busy Override (EBO)
- Malicious Call Hold (MCH)
- Message Waiting (MWT)
- Private Business Line (PBL)
- Call Park (PRK)
- Ring Again (RAG)
- Single Line Queueing (SLQ)
- Three-way Calling (3WC)

For more information on the features that can be entered in table KSETLINE, see the “Supplementary information” section.

Datafill sequence and implications

Datafill of table KSETLINE is done through the Service Order System (SERVORD). For information, refer to the *SERVORD Reference Manual*.

The following error message appears if an attempt is made to datafill this table using the table editor:

Protected table, use SERVORD to change.

KSETLINE (continued)

Feature AF6777 provides the following functionality in table KSETLINE to allow addition, modification, or deletion of shared DNs through SERVORD.

- Add tuples for circuit switched (CS) and packet switched (PS) ISDN Terminals, using the same DN.
- Change tuples for CS and PS ISDN Terminals, to or from shared DN.
- Delete tuples for CS and PS ISDN Terminals, sharing the same DN.

When a tuple is added to table KSETLINE for a new hunt group member, add a corresponding tuple to table HUNTMEM.

Table size

Memory for this table is dynamically allocated.

Supplementary information

This section provides information on datafilling table KSETLINE for specific applications, and product descriptive information related to table KSETLINE. Descriptions of the features that can be entered in table KSETLINE follow.

Aggregate Calling Number Delivery (CND) Recording (ACR)

Option ACR facilitates separate peg counts of voiceband information (VI) and circuit-mode data (CMD) calls. Assign option ACR to any ISDN BRI DN that has the CND feature activated. Option ACR produces AMA records that allow the operating company to track and bill the CND feature based on call type.

Aggregate Redirecting Number Delivery (RND) Recording (ARR)

This option provides call type-specific billing for RND for ISDN Call Forward. Option ARR records the number of RND deliveries available and not available, separated by voice and circuit-mode data call types. Option ARR requires option RND. This feature applies to ISDN BRI terminals only.

AMA Test (AMATEST)

This feature enables the AMA test call capability feature on Residential Enhanced Services (RES) lines, business sets, and data units.

The originating line AMATEST mechanism includes terminating billing and second leg virtual facility group (VFG) billing. Billing records generated as a result of a call from an originating line with AMATEST are created as test records, regardless of whether the record resulted from a call through a VFG, some form of terminating billing, or traditional originating billing.

The Automatic Message Accounting (AMA) data that are associated with a particular line can be verified by placing the AMATEST feature on the line and

KSETLINE (continued)

making a call that originates or terminates to this line. This is useful in insuring that a particular translations path is producing an AMA record and that the proper information is contained within the record fields. Bellcore AMA records that are produced by lines with the AMATEST option are marked by a 1 in the fourth character position of the study indicator field. The AMAB200 log is also generated by these test calls if enabled by the LOGTEST tuple in table AMAOPTS. The revenue accounting office (RAO) is responsible for recognizing these types of records as AMA test records.

This feature is only operational in a switch configured for Bellcore AMA format. Although this feature is present in switches configured for other formats, enabling it has no effect.

For calls in progress for more than 24 hours, AMATEST must be present on the originator, not the terminator, to enable this feature.

Access to Messaging (AMSG)

The Access to Messaging (AMSG) option assigns the Access to Messaging to a line.

For more information, consult the Access to Messaging feature in the RES translation sections.

Access to Messaging Deny (AMSGDENY)

The Access to Messaging Deny (AMSGDENY) option when assigned to a line, prevents the access to messaging service from being offered on that line:

- even if customer group option AMSG is assigned to a customer group option of which the line is a member, or
- if AMSG is offered office-wide using universal mode.

For more information, consult the Access to Messaging feature in the RES translation sections.

Note: Options AMSG and AMSGDENY cannot be assigned to the same line.

Anonymous Caller Rejection (ACRJ)

The Anonymous Caller Rejection (ACRJ) feature allows a subscriber to reject incoming calls from parties with suppressed name or number display information. Instead of reaching the subscriber, anonymous calls are routed to an announcement.

KSETLINE (continued)

Basic Rate Interface Calling Line Identification (BRICLID)

When added to BRAF sets, this option permits the calling line's identity to be presented to the called user. This option is only applicable to called users. Subscribing to this option does not guarantee presentation of the calling line's identity. The terminating network can only send the calling line's identity if it is available and if the calling user has not activated the CLIR supplementary service.

Block Called Number (BLOCKCDN)

This feature is only valid if line class code of the line is ISDNKSET. This feature blocks the called number delivered to the BRA interface.

Block Calling Number (BLOCKCGN)

This feature is only valid if line class code of the line is ISDNKSET. This option blocks the calling number delivered to the BRA interface.

Charge (CHG)

This feature is only valid if line class code of the line is ISDNKSET. This option allows delivery of the charge number if available to the BRA interface if there is no calling number.

800 Calling Number Identification (CID)

Option CID enables the user to display the identification number of the calling party of an 800 call. This line option is supported on Centrex, Automatic Call Distribution (ACD), residential (RES), and call management services (CMS) lines for telephone sets with display capabilities.

Previously, line option CID was available only for customer groups.

Note: The external symbol for option CID is NTS_CID, which is used when accessing the line option in SERVORD.

Call Completion to Busy Subscriber (CCBS)

The CCBS option enables a subscriber to have a call to a busy destination completed without having to originate another call when the busy destination becomes free again.

Call Completion on No Reply (CCNR)

The ETSI Call Completion on No Reply (CCNR) supplementary service applies when a user A calls a user B and the call is not answered. In this case, CCNR allows the call to be completed without a new call attempt by user A.

KSETLINE (continued)

When user A calls the number of user B, but user B does not answer the call (No Reply), user A can request the CCNR supplementary service

- during the time that user B is being informed of the call
- during the T-RETENTION time after A has gone on-hook

When user B again becomes available, the network waits for the time specified by the idle guard timer (T-CCBS4) to allow time for user B to originate another call. If user B does not originate a call in this time, the network automatically recalls user A. When user A accepts the CCNR recall, the network automatically generates a CCNR call to user B.

Call Transfer Warning (CTW)

This feature provides warning tones to conferees whenever the transferring party remains on the line after transferring a call. A disconnect tone is given to the conferees after the transferring party goes on-hook.

Call Waiting Exempt (CWX)

The CWX feature exempts a station from CWD and CWO.

Call Waiting Intragroup (CWI)

This feature allows call waiting of intragroup calls. This option can only be assigned to stations that have the Call Waiting (CWT) option.

When line A, has Dial Call Waiting (CWD) or Call Waiting Originator (CWO), calls a busy line B that has Call Waiting (CWI) and imposes call waiting, then CWI takes precedence over CWD or CWO.

Call Waiting Originate (CWO)

This feature automatically imposes call waiting when a call is placed to a busy line that did not have CWI assigned.

Call Waiting Ringback (CWR)

The CWR feature provides a distinctive ringing to the caller which indicates whether the destination is idle or engaged in another call. CWR can only be assigned to stations that have the CWT option.

Caller ID Delivery and Suppression (CIDS) Delivery (CIDS DLV)

This feature enables the subscriber *to deliver* the originator's name and number for each call. This feature applies to ISDN BRI sets only.

Caller ID Delivery and Suppression (CIDS) Suppression (CIDS SUP)

This feature enables the subscriber *to block the delivery* of the originator's name and number for each call. This feature applies to ISDN BRI sets only.

KSETLINE (continued)

Cancel Call Waiting (CCW)

This feature allows Meridian Digital Centrex (MDC) and RES lines to have CCW assigned as an option if the office parameter CCW_AS_LINE_OPTION in table OFCVAR is set to Y (yes). If the feature is not assigned both MDC and RES the line does not have CCW. If the parameter is set to N (no), MDC lines are always CCW if the access code for CCW in table IBNXLA is datafilled for the customer group to which the line belongs. The same applies to RES lines but the office parameter CCW_ACTIVE in table OFCOPT must be set Y (yes) before the RES line can have CCW.

MDC and RES lines are not affected by parameter LINE_WITH_CWT_CAN_FLASH in table OFCVAR since they can flash without any features.

Closed User Group (CUG)

This feature provides a mechanism for forming groups, to and from which access is restricted. Users in a CUG can, in general, communicate with each other but not with users outside the group.

Users can be assigned privileges to originate/receive call to/from numbers outside the group. Similarly, users can be restricted from calling certain other users within the CUG.

Emergency calls are not affected by the CUG regulations and are always given priority.

A user can be a member of one or more CUGs.

Connected Party Line Presentation on BRI (COLP)

This option, when added to ISDN sets, permits the identity of the connected party line to be presented to the calling user. Subscribing to this option does not guarantee presentation. The terminating network can only display COLP if it is available and if the called user has not activated the COLR supplementary service.

Connected Party Line Restriction Override on BRI (COLROVR)

This option, when added to ISDN sets, permits the identity of the connected party line to be presented to the calling user when the connected party line has activated the COLR supplementary service.

Default Directory Number (DFDN)

Two B-channel and one D-channel (2BD) service supports sharing of voice and data call types on a single DN. The 2BD access privilege is for ISDN integrated terminals (IT) with two circuit switched (CS) B-channels and one

KSETLINE (continued)

packet switched (PS) D-channel. With ITs it is necessary to distinguish between the key assigned to the primary directory number (PDN) of voice information (VI) circuit mode data (CMD) services, and the primary number assigned to packet mode data (PMD) services. For VI CMD services PDN is assigned automatically by the DMS-100 to key 1. SERVORD designates as default directory number (DFDN), the first key assigned to PMD service on the IT.

Denied Call Forwarding (DCF)

The DCF feature is assigned to a line that does not receive any calls that have been forwarded.

Denied Originating Service (DOR)

This feature is assigned to any line where the subscriber can receive calls only. If a line with DOR attempts to originate a call, line is routed to originating suspended service treatment (ORSS) in table TMTCNTL, subtable TMTCNTL.TREAT.

Denied Terminating Service (DTM)

The DTM feature is assigned to any line where the subscriber can only originate calls. If translation attempts to terminate to a line with DTM, translation is routed to denied terminating treatment (DNTR) in table TMTCNTL, subtable TMTCNTL.TREAT.

Detailed Privacy Change Allowed Recording (DPCAR)

Option DPCAR generates PCA billing information for ISDN BRI DN's that have the Privacy Change Allowed Caller ID Delivery and Suppression (PCACIDS) feature assigned.

The PCACIDS feature allows users to send their own presentation indicator (PI) values instead of relying on the operating company for this information. The PCACIDS feature does not produce AMA records. Option DPCAR produces AMA records only if the customer premises equipment (CPE) PI value contradicts the value stored on the switch.

Dial Call Waiting (CWD)

This feature allows a station to impose call waiting on a called station.

800 Dialed Number Identification Delivery (DNID)

Option DNID enables the user to display the 800 number dialed by the calling party. This line option is supported on centrex, Automatic Call Distribution (ACD), Residential (RES), and Call Management Service (CMS) lines for telephone sets with display capabilities.

KSETLINE (continued)

Previously, line option DNID was available only for customer groups.

Note: The external symbol for option DNID is NTS_DNID, which is used when accessing the line option in SERVORD.

Directed Call Pickup Barge-in (DCBI)

This feature permits a station to answer a call that is ringing on any other line within the same customer group by dialing the directed call pickup (DCP) access code. If the call is answered by the called station, the DCBI station can barge in to the answered call and be connected into a three-way call configuration.

Directed Call Pickup Barge-in Exempt (DCBX)

This feature blocks any attempt by another station with DCBI to barge in if the call has been answered by this station.

Directed Call Pickup Non-barge-in (DCPU)

This feature permits a station to answer a call that is ringing on any other line within the same customer group by dialing the directed call pickup (DCP) access code if the call is not answered by the called station when the dialing sequence is completed.

Directed Call Pickup Non-Barge-in Exempt (DCPX)

This feature blocks any station assigned with DCBI or DCPU to pick up a call ringing on this station.

Disconnect Time-out (DISCTO)

This feature is only available to a data unit that has those lines datafilled with format DATA or PDATA in table KSETINV. This feature holds the data line in an unavailable state for a predetermined amount of time as specified by office parameter DISCTO_TIMEOUT_VALUE in table OFCENG. Some devices take a significant amount of time to clear a call in their software; that is, the disassociation between the application software and the communication port is not done immediately after the call is taken down. Some other subsequent call to that port can gain access to that application software because of this delay, by passing all password checking and gain unauthorized access to the application. This feature prevents unauthorized access.

Essential Line Service (ELN)

This feature applies to lines that are allowed to originate calls when the switching unit has line load control active.

KSETLINE (continued)

ETSI Call Hold (HOLD)

The Call Hold feature for ETSI BRI enables subscribers to interrupt communications on an existing call and to subsequently re-establish them or establish communications with other calls while reusing the B-channel resource of the first call. The calling party is notified that their call is being held.

Announcements, tones or music can be datafilled on a customer group basis. Refer to table AUDIO for more details.

Executive Busy Override Exempt (EBX)

This feature specifies that the line is exempt from override attempts.

Explicit Call Transfer (ECT)

The BRI Explicit Call Transfer (ECT) supplementary service applies to ISDN ETSI BRI lines. It allows a BRI interface user A to transform up to two incoming or outgoing calls into a new call between user B and user C.

User A must have the Call Hold supplementary service to allow user A to use ECT. User A can implement ECT using either an implicit, or an explicit linkage procedure.

Implicit linkage procedure: User A calls user B (call 1), activates Call Hold then calls user C (call 2). User A then requests ECT by sending a facility message with an invoke component that includes 'EctExecute'. User A is then released and users B and C are bridged into a call by the network.

Explicit linkage procedure: User A sends a Q.931 facility message with an invoke component that includes 'EctLinkidRequest'. The DMS-100 MMP switch responds by identifying the B-channels of users B and C with a unique link Id. User A then requests ECT by sending a facility message with an invoke component that includes 'ExplicitEctExecute'. Users B and C are then bridged into a call by the network.

Free Number Terminating (FNT)

This feature, which applies to local or extended area service (EAS) calls only, is assigned if a charge condition is not returned to a terminating call.

In-Call Service Control (ICSCTRL)

The ICSCTRL option permits activation and deactivation the Enhanced Busy Call Return (EBCR) service across different calls. The ICSCTRL feature assigns the ICSDEACT option on the line and deactivates EBCR for subsequent calls originated from the line. If the ICSDEACT option is already assigned to the line, then it is removed and EBCR is restored. For more

KSETLINE (continued)

information on the EBCR service, consult the Enhanced Busy Call Return feature in the RES translation section.

In-Call Service Deactivation (ICSDEACT)

The ICSDEACT option prevents the Enhanced Busy Call Return (EBCR) service from being offered to a line. Typically, this line option is added by the end user using the ICSCtrl feature, otherwise it is assigned using the service order utility (SERVORD). For more information on the EBCR service, consult the Enhanced Busy Call Return feature in the RES translation section.

Inhibit Line Busy (ILB)

This feature inhibits Call Forward Busy (CFB) feature if a line is actually busy. An incoming call is not forwarded if a line is busy.

Inhibit Make Busy (IMB)

This feature is used with the Make Busy Key (MBK) feature. When MBK is activated on a line that is also assigned the IMB feature, an incoming call is not forwarded but receives a busy tone or some other customer-defined treatment. If MBK is not activated, it still provides standard CFB service.

Inhibit Ring Reminder (IRR)

This feature turns off the ring reminder for MDC, plain ordinary telephone service (POTS), and RES lines. A line with the IRR option still call forwards as before, but there is no ring reminder.

Incoming International Call Barring

This feature provides the facility allowing a subscriber to block incoming international calls. This facility is enabled by defining a new terminator line option called IICB. The telephone agency personnel can then activate and deactivate the IICB option on a DN, thereby blocking or allowing incoming international calls.

The IICB option is a feature that is assigned and removed using the ADO and DEO Service Order commands. Its activation and deactivation can only be processed by telephone agency personnel.

The IICB option supports both RES and ISDN (not pphone) for incoming international calls from ISUP and FDCP trunks.

If an international call attempts to terminate on a line with the IICB line option, the call is cleared and the "Call Not Allowed" treatment is returned on the trunk carrying the incoming call.

KSETLINE (continued)

Last Number Redial (LNR)

This feature redials the last number dialed by using a single key instead of the whole number. Every time a number is dialed, it is stored as the LNR number. LNR can be activated by pressing the # (octothorpe) or dialing the LNR access code datafilled in table IBNXLA.

Last Number Redial Associated with Set (LNRA)

This feature permits the user to redial the last number dialed from the set, using one key. It is associated with the entire set, rather than a specific directory number. Feature LNRA cannot be assigned if LNR is assigned to a set. The two features are mutually exclusive. LNRA can be assigned only to the primary directory number (PDN) of a set.

Local Call Detail Recording (LCDR)

Where the office is arranged for Local Automatic Message Accounting (LAMA), this feature is assigned to lines if details of all local calls originated by the line are recorded on the AMA tape. This option must be assigned to an INWATS line if the count of calls to the INWATS line is required. This affects the value of office parameter NUM_OF_BC_LAMA_UNITS or NUM_OF_NT_RECORDING_UNITS in table OFCENG.

Make Busy Key (MBK)

The MBK option forwards an incoming call to a line with the Call Forwarding Busy (CFB) or Call Forwarding Blocking (CFBL) option whether the line is busy or idle. This only occurs if MBK has been activated through the use of an external key that operates a scan point circuit. A number of preselected lines can be assigned to a single scan point.

Make Set Busy (MSB)

This feature permits the user to make its line busy or available to all incoming calls by dialing the MSB activation or deactivation code. While MSB is active on a line, any external incoming call that would normally terminate on the line is given the treatment specified in table CUSTSTN. If the treatment is not specified, external calls receive busy tone as the default treatment. Intragroup calls always receive busy tone. When a call is diverted, a momentary ring splash of ringing (500 ms) is applied to the line to serve as a reminder that MSB is active. If MSB or MSBI is assigned to a vacant key in table KSETFEAT, that variation applies to all the DN appearances on the set except PBL lines since MSB is a set feature even though an individual feature regardless of the assigned feature as a set feature. When MSB is a set feature, it is activated by pressing the assigned key. For PBL lines, MSB must be activated by dialing the access code.

KSETLINE (continued)

Make Set Busy Intragroup (MSBI)

This feature permits the user to make its line busy or available to intragroup calls (internal) by dialing the MSB activation or deactivation code. External calls are not blocked. Intragroup calls that are blocked while MSBI is active always receive busy tone. When a call is diverted, a momentary ring splash of ringing (500 ms) is applied to the line to remind users that MSBI is active.

Malicious Call Identification (MCID)

This feature enables an incoming call to be identified and registered by the network. Information captured includes the following:

- calling party number
- called party number
- date and time
- last forwarding number (if call forwarding applies)

MCID can be invoked either manually by the subscriber or automatically by the network for all unanswered calls.

Manual identification of the caller is available during the active phase of the call.

Messaging Control (MSGCTRL)

The Messaging Control feature allows an end-user to activate and deactivate the access to messaging service across different calls. MSGCTRL feature assigns the MSGDEACT option on the line. This deactivates access to messaging for future calls originated from the line. If the MSGDEACT option is already assigned to the line, then it is removed and access is enabled.

For more information, consult the Access to Messaging feature in the RES translation sections.

Migrate (MIGRATE)

The MIGRATE option identifies lines that are in the process of migrating from a collapsing office into a Call Server Complex (CS2000). The lines will be pre-datafilled on the new office but will be blocked from operation by the existence of the MIGRATE option until the migration is complete. Terminations to the DN will be routed to the collapsing office where the DN is still in service.

This will be accomplished during the routing stage of call processing by using the conditional routing selector (CND MIGRATE) in table FNPACONT, as well as tables HNPACONT:RTESET, OFRn and IBNRn.

KSETLINE (continued)**MAP display example for table KSETLINE**

KSETKEY	FORMAT	DNRESULT	KSFMTID	KSFMTARE
HOST	01 0 01 05 1	DN Y	6211015	BNR 0 0 613

MIGRATE \$ MBS

Network Translated Address Indicator Termination (NTAIT)

This option is assigned to PPHONE lines for line termination. All calls with NTAI parameter set in the incoming IAM/IFAM are allowed to continue if the NTAIT option is datafilled in the terminating node. For PBX termination, the NTAI parameter in the incoming IAM/IFAM is checked against the NTAIT translation option.

Network Translated Address Indicator Termination (NTAIT)

This option is assigned to PPHONE lines for line termination. All calls with NTAI parameter set in the incoming IAM/IFAM are allowed to continue if the NTAIT option is datafilled in the terminating node. For PBX termination, the NTAI parameter in the incoming IAM/IFAM is checked against the NTAIT translation option.

No Double Connection (NDC)

This feature is assigned to lines that are not connected to a verification or test circuit when the line is busy.

No Receiver Off-hook Tone (NOH)

Receiver off-hook tone is not transmitted to lines with this feature when the lines have a permanent signal or partial dial condition.

No Screening Option in Case of BRI Connected Party Line Presentation (NOCOLPSCR)

This option, when added to ISDN sets, prevents the network from screening the connected party's number. This option applies to point-to-point configurations only. Normally, the connected party's number transported to the calling user side, has been screened by the network.

On-demand B-channel (ODB)

The On-demand B-channel option allows the user to originate X.25 packet mode data calls over a user-initiated B-channel. The user initiates B-channel connections between the subscriber line and the packet handler (PH) using Q.931 procedures. Once connected, the user can originate and receive

KSETLINE (continued)

packet-mode calls over the B-channel. When not being used for packet-mode data, the B-channel can be used for speech and circuit-switched data calls. The ODB option allows the sharing of B-channels by VI, CMD, and PMD call types.

The following restrictions apply to option ODB:

- Only NI2 2BD terminals support option ODB.
- Option ODB applies only to the KSETLINE DN format.
- Provisioning the ODB option on the primary DN (key 1) prevents the provisioning of the voice DN on any other key in table KSETLINE.

Operator Number Identification (ONI)

This feature is assigned to lines that require operator number identification. Lines that are not assigned this feature are assigned as automatic number identification (ANI) lines.

Packet Mode Data (PMD)

Two B-channel and one D-channel (2BD) service supports sharing of voice and data call types on a single directory number (DN). The 2BD access privilege is for ISDN integrated terminals (IT) with two circuit switched (CS) B-channels and one packet switched (PS) D-channel. It can support voice information (VI) circuit mode data (CMD), and packet mode data (PMD) on a single DN. Different call types on the same DN are assigned to separate keys.

PMD service can be assigned only to keys other than the primary directory number (PDN) of the DN. The PDN is always assigned to the first key with VI CMD call type. The following error messages can appear when you are datafilling the PMD feature:

```
ONLY THE DN FORMAT IS SUPPORTED FOR INTEGRATED TERMINALS PMD  
OPTION. CANNOT ASSIGN PMD KEY TO PDN KEY. THE RINGING OPTION  
MUST BE SET TO NO FOR INTEGRATED TERMINALS PMD OPTION. THIS DN  
IS ALREADY IN USE BY A PMD.
```

Plug Up (PLP)

This feature is assigned to lines that are in the plug up state.

Prevent Deletion Option

This feature prevents the removal of a line from service. If you try to remove a line from service that has PDO assigned, an error message displays and the command fails.

KSETLINE (continued)

Privacy Change Allowed (PCA) CIDS

This feature gives the operating company the ability to allow and deny the originator control over the presentation indicator (PI) in the calling name identification element (CGNIE) of the ISDN SETUP message. PCA has three controls: the PCACIDS line option, the PCACIDS customer group option, and the office parameter. The DN option takes precedence over the customer group option and the office parameter
ISDNBRI_PRIVACY_CHANGE_ALLOWED, and the customer group option takes precedence over the office parameter. This feature applies to ISDN BRI sets only.

Restricted Sent Paid (RSP)

This feature is assigned to lines that have a line class code of zero minus denied (ZMD) or zero minus zero plus allowed (ZMZPA) assigned in table LINEATTR. This feature outpulses the ANI information digit 7 (ANI information digit 2, in the case of ANI fail) plus the calling party's directory number. This feature supercedes the action caused by the setting of field HOT in table LINEATTR.

Note: This option can only be used if the Coinless pay station feature is present.

Secondary Language (SL)

This feature allows user to hear the secondary language for the office announcements for features like Call Forward Remote Access (CFRA), Automatic Recall (AR), Automatic Call Back (ACB) and Calling Number Delivery (CND) instead of the primary language.

The secondary language is specified in office parameter OFFICE_LANGUAGE in table OFCENG.

Single Functional Call (SFC)

This feature is only valid for ISDN functional logical terminal and is automatically available to all functional logical terminals (LTCLASS = BRAFS in table LTDEF). This option allows up to 64 DNs or calls to originate or terminate on the logical terminal.

Up to 64 SFC DNs are allowed for each functional logical terminal. This option can be assigned to key 1 in table KSETLINE but is not necessary since all functional logical terminals automatically have it. Each SFC DN can have up to five concurrent calls assigned to contiguous keys above the SFC key using additional functional call (AFC) in table KSETFEAT forming groups of functional signaling call appearances. For example if keys 1 and 4 are assigned SFC, keys 2 and 3 can be assigned AFC in table KSETFEAT to have multiple

KSETLINE (continued)

concurrent calls with key 1, and keys 5, 6 and 7 can form another AFC group for key 4. When the SFC option is deleted, all associated AFCs are automatically removed from table KSETFEAT.

Special Delivery Service (SDS)

The SDS option assigns the Enhanced Busy Call Return (EBCR) service to a line. For more information on the EBCR service, consult the Enhanced Busy Call Return (EBCR) feature, RES00076.

Note: Option SDS and option SDSDENY cannot be assigned to the same line.

Special Delivery Service Deny (SDSDENY)

When assigned to a line, option SDSDENY prevents the EBCR service from being offered on that line, even if customer group option SDS is assigned to a customer group of which the line is a member, or if the specified service(s) is offered office wide using Universal mode. For more information on the EBCR service, consult the Enhanced Busy Call Return (EBCR) feature, RES00076.

Note: Option SDSDENY and SDS cannot be assigned to the same line.

Station Message Detail Recording (SMDR)

This feature is only available if the switching unit has field KEY in table CRSFMT set to NTFMT. This option is not available to offices with Bellcore format.

This feature is assigned to lines if details of all local calls originated by the line are recorded on AMA tape. All entries on the AMA tape are in the SMDR format. This feature can only be assigned in switching units that have office parameter SMDR_OFFICE equal to Y in table OFCOPT. The number of lines that can have this option is dependent upon office parameter NO_OF_SMDR_REC_UNITS in table OFCENG.

Station Origination Restrictions Controller (SORC)

This feature allows the DN with this feature to apply a restriction level (0, 1, 2, 3, or 4) against another DN or a group of DNs in the same customer group. To group DNs, SOR option must be applied against an Integrated Business Network (IBN) line in table IBNFEAT or against a business set in table KSETFEAT.

A level 0 restriction completes all calls allowed by the NCOS. A level 1 restriction completes only intragroup calls and calls specified in an exception list. A level 2 restriction completes only the intragroup calls. A level 3

KSETLINE (continued)

restriction completes only calls specified in an exception list. A level 4 restriction only allows 911 emergency calls.

Suspended Service (SUS)

This feature is assigned to lines that have originating and terminating service suspended.

Time and Charge Services on 1+ Calls (ATC)

This feature applies to lines with time and charge option. With this option the NX1D prints the call details at a printer for all 1+ calls. An operating company personnel calculates the charges and phones them back to the subscriber.

Toll Essential Service (TES)

This feature applies to lines that are allowed access to the toll network when all other lines are denied access to it through the activation of toll network protection. All lines with the TES option have option ELN.

Uniform Call Distribution (UCD)

UCD distributes to a number of predesignated electronic business sets. UCD is used to distribute incoming calls evenly among a number of answering positions.

The UCD Login (UCDLG) feature, assigned in table KSETFEAT, allows an agent to log into the UCD group using a login key.

The UCD Signal Distribution Point (UCDSD) feature, also assigned in table KSETFEAT, provides monitoring of the login/logout process for each set.

Table history**SN06 (DMS)**

Development activity 00001207 introduces changes to the OPTLIST subfield of the KSETLINE table. This subfield now supports MIGRATE.

MMP16

Added option IICB (Incoming International Call Barring) introduced by feature 59032350.

MMP15

Added option ECT (Explicit Call Transfer) introduced by feature 59023626.

Added option NTAIT (Network Translated Address Indicator - Termination) introduced by feature 59022245.

KSETLINE (continued)

MMP14

Added option CCNR (Call Completion on No Reply) introduced by feature 59016186. Refer to KSETLINE format DN.

NA014

Added ODB option introduced by feature 59013267, On-demand B-channel X.25 Packet Mode Data—Provisioning, Data Distribution Manager, and XLIU, for table KSETLINE format DN.

NA013

Development activity 59013430 introduced the PDO to the list of options.

MMP12

Added the following to table Options and Assignments:

- Connected Party Line Presentation (COLP)
- Connected Party Line Restriction Override (COLROVR)
- No Screening Option in Case of BRI Connected Party Line Presentation (NOCOLPSCR)

NA012

Development activity 59007050 introduced changes to field LINEATTR_KEY of table KSETLINE format MDN for SLBRI lines. This field now accepts an alphanumeric string instead of an integer string.

NA011

Added the Aggregate RND Recording (ARR) option for feature AF7736, Redirecting Number and Reason Delivery for ISDN Call Forward.

NA010

Added or changed the following:

- Added the Aggregate Calling Number Delivery Recording (ACR) option for the CND feature on ISDN BRI terminals.
- Added the Detailed Privacy Change Allowed Recording (DPCAR) option for the ISDN PCA feature on ISDN BRI terminals.
- Added the options Access to Messaging (AMSG), Access to Messaging Deny (AMSGDENY), and Messaging Deactivation (MSGDEACT) in accordance with feature AJ5115 (Service Offering Decoupling of SDS).

NA009

Added option ACRJ for the BRI in RES feature.

NA008

Added or changed the following:

- Added Packet Mode Data (PMD) call type and Default DN (DFDN) for the Two B-channel One D-channel feature on integrated terminals (IT).
- Feature ISDN PKT Shared DN allows addition, modification, or deletion of shared attribute ISDN DN tuples.
- Added the CIDSSUP, CIDS DLV, and PCACIDS options for the ISDN Calling Name/Number Privacy feature on NI-2 terminals.
- Added the CFXDNCT option for the NI-2/NI-3 ISDN Call Forwarding feature.

EUR006

Added the following:

- Added the ETSI Call Holding (HOLD) line option. The option is activated by ensuring that the static data is downloaded to the extended peripheral module (XPM). This can be repeated by busying (BSY) and returning to service (RTS) the line in MAPCI.
- Added the Call Completion to Busy Subscriber (CCBS) line option.

NA007

Added line option ICSDEACT.

NA005

Added or changed the following:

- Added error message information to “Datafill sequence and implications” section in accordance with the Enforcement of SERVORD feature.
- Added line option SDSDENY.
- Deleted line option ECM and added the option to table KSETFEAT in accordance with the CompuCALL Associate Enhancements feature.

NA004

Added line option SDS.

NA003

Added or changed the following:

- line option CID
- line option DNID
- added the SLQ option to the list of options that are added through table KSETFEAT

KSETLINE format ACD

Automatic call distribution

The Automatic Call Distribution (ACD) format can only be used for assigning lines (keys), on a business set or integrated voice data (IVD) set, to automatic call distribution group. This format is not valid for data-units or M2000/M3000 digital telephones. The ACD format can also be assigned to the ARIES series of IVD sets, to include the M2008, M2616, M2016S, M2216A, and the M2216B.

ACD provides an equal distribution of calls to a group of agents belonging to the ACD group. ACD is typically used in service industries where it is desirable to have a large number of answering positions available to answer a large number of incoming calls. If all agents are busy, calls are queued by the order of arrival and by the priority associated with the DN that was dialed. As soon as an agent is idle, the agent is presented with the first call from the high priority queue. ACD is an extension of uniform call distribution (UCD) described in table UCDGRP. See table UCDGRP for a more detailed description of UCD.

ACD calls are offered to the incoming ACD calls (INCALLS) key of the ACD set that must be assigned to key 1. No other key can be assigned as an INCALLS key. An ACD agent position is a DMS-100 business set that has an INCALLS key as key 1 and the agent can only be a member of one group. An agent cannot be reached directly through the DN that is datafilled with the INCALLS key. Calls can only terminate on the agent's INCALLS key by the ACD DNs (any of the 17) through the distribution and queuing processes. The DN associated with the INCALLS key is only for billing.

Each ACD agent position needs an FTRQ agent area and a FTRQ block (FTRQ8WAREA) in order to become active and receive ACD calls. The parameters that define both areas are FTRQAGENTS and FTRQ8WAREAS in table OFCENG. Some agents cannot become active if there are not enough FTRQ agent areas or FTRQ8WAREAS available in the system. The worst case scenario occurs when all the agents datafilled in table KSETLINE are active.

To ensure that this does not happen, a caution is issued when the following conditions occur:

- if the total number of INCALLS keys datafilled in table KSETLINE exceeds 75% of the number of FTRQ agent areas allocated in the system
- if the total number of INCALLS keys datafilled in table KSETLINE exceeds 75% of the number of FTRQ blocks allocated in the system

KSETLINE format ACD (continued)

- if the total number of INCALLS keys datafilled in table KSETLINE equals or exceeds 100% of the number of FTRQ agent areas allocated in the system
- if the total number of INCALLS keys datafilled in table KSETLINE equals or exceeds 100% of the number of FTRQ blocks allocated in the system

To answer an incoming ACD call, the ACD agent presses the INCALLS key. With the ACD Call Forcing feature the agent does not need to press the INCALLS key to answer a call. A 500 ms burst of tone is given and the lamp associated with the INCALLS key flashes. When the tone is completed, the call is automatically answered and the lamp stays on. This feature increases the efficiency of an ACD agent by freeing the agent from conventional telephone interactions. When the caller disconnects, the ACD agent is given a 2.5 s delay, followed by a short burst of tone, and then is presented with another call. This delay allows the agent time to activate make set busy (MSB) service or ACD not ready (ACDNR) to stop the next call from being presented. If the agent does not want the 2.5 s delay, the agent can press the release (RLS) key. This releases the call, if still connected, and allows the next call to be presented immediately with its accompanying burst of tone.

Note: Call Forcing is datafilled in tables ACDGRP, ACDLOGIN, and ACDENLOG. For information on the Call Forcing feature, see “Call Forcing Tone Optionality” in this document.

Call agent key (CAG)

The call agent (CAG) key is assigned to a key-lamp pair on an electronic telephone set. The call agent key can either be used in conjunction with the Observe Agent feature to conference a supervisor in to the ACD call that is currently being observed or it can be used to call an agent position so a supervisor can communicate with an agent.

Typically, a call originated on a call agent key is to an agent position so that the supervisor can communicate with the agent manning that position. The destination of a call originated on a call agent key is not necessarily an agent position. Although this is not the intended use, it is not blocked. Through datafill the supervisor can be restricted to only being able to make calls within the same customer group on the call agent key.

When it is used to originate a call, the call agent key and associated lamp function exactly like a secondary directory number (SDN) key that can only be used to originate calls (that is, it has the denied termination option). Incoming calls cannot be received by the call agent key. It functions like a SDN key when it is used to originate a call, the call agent key interacts with other features in the same manner as a normal SDN key would. If the Observe Agent feature is

KSETLINE format ACD (continued)

invoked while the supervisor is active on a call agent key, the call agent key is put on autohold. If the call agent key is on hold (its lamp is flashing) while the Observe Agent feature is active, pressing the call agent key does not reaccess the held call. It acts normally when used in conjunction with the Observe Agent feature. The call can only be reaccessed after the Observe Agent feature is terminated.

When the call agent key is used in conjunction with an Observe Agent key, the call agent key conferences a supervisor in to the ACD call that is currently being observed. The Observe Agent feature enables a supervisor to listen in on an ACD call (observation mode) or be conferenced in to an ACD call (conference mode). In observation mode the supervisor can only listen to the ACD call being observed. If the supervisor wants to enter the conversation, the call agent key can be pressed to move from observation mode into conference mode. The state of the lamp associated with the call agent key is not affected. If the call agent key is pressed while the observe feature is not in observation mode, the key hit is ignored and does not affect the Observe Agent feature or the state of the call agent key (that can be idle or in a held state).

Call supervisor key (CLSUP)

The call supervisor (CLSUP) key allows an ACD agent to call the supervisor, using only one key. The agent does not need to dial the supervisor's INCALLS or SDN key number, or program an automatic dial (AUD) key. The following methods can be used if desired.

To call a supervisor, the agent presses the CLSUP key and the associated lamp on the agent set flashes. An SDN on the supervisor set designated as an answer agent key (AAK) rings, and the associated lamp on the supervisor set flashes. To answer the call, the supervisor presses the AAK. The associated lamps are steadily lit while the call is active.

The CLSUP key is also used to answer calls from the supervisor that are originated by the CAG key.

The INCALLS key must be assigned before CLSUP can be assigned. Only one CLSUP key can be associated with an agent position.

When assigning the CLSUP key, the DIFFINC option is also prompted. When agents are reassigned to a different supervisor through the Load Management feature, checks the DIFFINC option when the CLSUP key is used to call the supervisor. If the DIFFINC option is set, the supervisor associated with the designated ACD group and subgroup is called. If the DIFFINC option is not set, when the CLSUP key is used to call the supervisor, the AAK of the current supervisor rings.

KSETLINE format ACD (continued)

Option MSBOVRD is also prompted when assigning the CLSUP key. This option allows specified agents to override MSB when it is active at the supervisor position. If the agent calls the supervisor using the CLSUP key having MSBOVRD assigned, and that supervisor has MSB active, the call rings through to the AAK on the supervisor's set. If MSBOVRD is not set, or the agent dials the DN of the AAK, and the supervisor has MSB active, the agent receives busy tone.

Answer agent key (AAK)

The AAK is an SDN key on the supervisor set, designated to answer calls from agents. Calls cannot be originated from this key, nor can any access codes be entered when this key is pressed.

Multiple AAK can be assigned to the same supervisor position. All must be within the same customer group as the primary DN.

Answer emergency key (AEMK)

The AEMK is an SDN key on the supervisor set, designated to answer emergency calls from agents. Emergency calls from an agent are placed to the supervisor when an abusive caller is on the agent's ACD line.

Calls can neither be originated from this key, nor can any access codes be entered when this key is pressed. Multiple AEMK can be assigned to one supervisor position.

Supervisors

ACD can be configured so that a supervisor can perform special supervisory functions within the ACD group. A supervisor is designated by assigning the SUPR option to key 1 in table KSETFEAT. If these functions are required, the ACD group can be grouped into subgroups whereby each subgroup is headed by a supervisor. Subgroup formation does not affect call distribution among agents.

For more details on ACD operations, see tables ACDGRP and ACDSGRP.

KSETLINE format ACD (continued)**Datafill**

The following table lists the datafill for table KSETLINE format ACD.

Field descriptions

Field	Subfield	Entry	Explanation and action
KSETKEY		see subfields	<p><i>Keyset key</i></p> <p>This field is the key to table KSETLINE and consists of subfields LEN and KEY.</p>
	LEN	see subfields	<p><i>Line equipment number</i></p> <p>This field defines the physical location of the equipment that is connected to a specific telephone line.</p> <p>Because field LEN is common to more than 60 tables, it is documented in a single section to avoid unnecessary duplication. Refer to section "Common entry field LEN" for a complete description of field LEN and associated subfields.</p> <p>For ISDN lines, field LEN consists of subfield LTID. For non-ISDN lines, field LEN consists of subfields SITE, FRAME, UNIT, DRAWER or LSG, SHELF, SLOT, and CIRCUIT.</p>
	KEY	1 to 69	<p><i>Physical key</i></p> <p>Enter the number that is associated with the physical keyset to which the ACD function is assigned. Key 1 must always be assigned to INCALLS if the entry for field ACDKEY equals INCALLS. All other features are assigned to keys 2 to 69.</p> <p>For an ISDN terminal enter the feature activator number. Only keys 1 to 64 can be used.</p>
FORMAT		ACD	<p><i>Format</i></p> <p>Enter ACD for ACD related functions.</p>
DNRESULT		see subfields	<p><i>Directory number result</i></p> <p>This field consists of subfields RING, DN, CUSTGRP, SUBGRP, NCOS, SNPA, ACDINFO, and OPTLIST.</p>

KSETLINE format ACD (continued)**Field descriptions**

Field	Subfield	Entry	Explanation and action
	RING	Y or N	<p><i>Ring set</i></p> <p>Enter Y (yes) if the keyset is rung on terminations to this directory number; otherwise, enter N (no).</p>
	DN	alphanumeric (vector of up to 15 digits)	<p><i>Directory number</i></p> <p>Enter the directory number, up to 15 digits assigned to the keyset.</p> <p>Note: When using table KSETLINE through SERVORD, subfield DN of field DNRESULT is changed to reflect a DN that can range from one to seven digits in length in a non-North American office, rather than a fixed seven digits. The DN must still be seven digits in a North American office.</p>
	CUSTGRP	alphanumeric	<p><i>Customer group</i></p> <p>Enter the code that is assigned in table CUSTHEAD of the customer group to which the directory number is assigned.</p>
	SUBGRP	0 to 7	<p><i>Subgroup</i></p> <p>Enter the subgroup, within the customer group, to which the directory number is assigned.</p>
	NCOS	0 to 511	<p><i>Network class of service</i></p> <p>Enter the NCOS number that is assigned to the directory number.</p>
	SNPA	numeric	<p><i>Serving NPA</i></p> <p>Enter the serving NPA to which the keyset is assigned. This can be up to seven digits in length.</p>
	OPTLIST	AEM, EMK, ICSDEACT, ILB, IMB, MSB, NDC, NOH, PLP, SDS, SDSDENY, or SUS	<p><i>Option list</i></p> <p>Enter the list of options that are assigned to the key. Options must be separated from each other by a blank space. AEMK and EMK must appear in the field OPTLIST if AEMK is entered in field ACDKEY. Up to 20 options can be added.</p>

KSETLINE format ACD (continued)**Field descriptions**

Field	Subfield	Entry	Explanation and action
	ACDINFO	see refinement	<i>ACD information</i> This subfield consists of refinement ACDKEY.
	ACDKEY	AAK, AEMK, CAG, CLSUP, or INCALLS	<i>ACD key</i> Enter AAK if the key is used to answer calls from agents; datafill refinements ACDGRP and ACDSGRP as described in section "ACDKEY = AAK". Enter AEMK if the key is used to answer emergency calls from agents; datafill refinements ACDGRP and ACDSGRP as described in section "ACDKEY = AEMK". Enter CAG if the key is used to originate calls to an agent. Enter CLSUP ACDKEY if the key is used to originate calls to the supervisor; datafill refinements MSBOVRD and DIFFINC as described in section "ACDKEY = CLSUP". Enter INCALLS if the key is used to receive incoming ACD calls; datafill refinements FORCING, ACDGRP, ACDSGRP, and IDNUM as described in section "ACDKEY = INCALLS".

KSETLINE format ACD (continued)**ACDKEY = INCALLS**

If the entry in field ACDKEY is INCALLS, datafill refinements ACDGRP, ACDSGRP, and IDNUM as described below.

Field descriptions for conditional datafill

Field	Subfield or refinement	Entry	Explanation and action
	ACDGRP	alphanumeric (1 to 16 characters)	<i>ACD group</i> Enter the name of the ACD group to which this station belongs. The ACD group name must be datafilled in table ACDGRP.
	ACDSGRP	0 to 255	<i>ACD subgroup</i> Enter the subgroup number to which this station belongs. This number must be datafilled in table ACDSGRP. Subgroup information indicates which supervisor is assigned to the agent position. An entry outside of this range is invalid.
	IDNUM	Y or N	<i>Identification number</i> Enter Y if a position identification number is assigned. Otherwise, enter N. If the entry in this field is Y, datafill refinement POSID. The position identification reports this position in management reports and in the ACDSHOW displays at the maintenance and administration position (MAP).
	POSID	00001 to 30000	<i>Position ID</i> If the entry in field IDNUM is Y, datafill this field. Enter the ACD position identification associated with the INCALLS key.

KSETLINE format ACD (continued)**ACDKEY = CLSUP**

If the entry in field ACDKEY is CLSUP, datafill refinements MSBOVRD and DIFFINC as described below.

Field descriptions for conditional datafill

Field	Subfield or refinement	Entry	Explanation and action
	MSBOVRD	Y or N	<p><i>Make set busy override</i></p> <p>Enter Y (yes) if a call overrides the activation of make set busy (MSB) on the supervisor set. Otherwise, enter N (no).</p>
	DIFFINC	Y or N	<p><i>Different incalls</i></p> <p>Enter Y if the ACD group and subgroup information can be different from the ACD group and subgroup that is associated with the INCALLS key.</p> <p>If Y is entered, the agent is reassigned to a new supervisor through the ACD Load Management feature. The supervisor position that was specified by fields ACDGRP and ACDSGRP is called when the CLSUP key is pressed.</p> <p>If the entry is Y, datafill refinements ACDGRP and ACDSGRP as described below.</p> <p>If N (no) is entered and the agent is reassigned to a new supervisor through the ACD Load Management feature, the new supervisor is called when the CLSUP key is pressed.</p>

KSETLINE format ACD (continued)**Field descriptions for conditional datafill**

Field	Subfield or refinement	Entry	Explanation and action
	ACDGRP	alphanumeric (1 to 16 characters)	<i>ACD group</i> If the entry in field DIFFINC is Y, datafill this refinement. Enter the name of the ACD group to which this station belongs. The table name must also be datafilled in table ACDGRP. This is the ACD group associated with the AAK.
	ACDSGRP	0 to 255	<i>ACD subgroup</i> If the entry in field DIFFINC is Y, datafill this refinement. Enter the subgroup number to which this station belongs. This number must be datafilled in table ACDSGRP. Subgroup information indicates which supervisor is assigned to the agent position. This is the subgroup associated with the AAK.

ACDKEY = AAK

If the entry in field ACDKEY is AAK, datafill refinements ACDGRP and ACDSGRP as described below.

Field descriptions for conditional datafill

Field	Subfield or refinement	Entry	Explanation and action
	ACDGRP	alphanumeric (1 to 16 characters)	<i>ACD group</i> Enter the name of the ACD group to which this station belongs. The table name must also be datafilled in table ACDGRP. This is the ACD group that is associated with the AAK.
	ACDSGRP	0 to 255	<i>ACD subgroup</i> Enter the subgroup number to which this station belongs. This number must be datafilled in table ACDSGRP. Subgroup information indicates which supervisor is assigned to the agent position. This is the subgroup associated with the AAK.

KSETLINE format ACD (continued)**ACDKEY = AEMK**

If the entry in field ACDKEY is AEMK, datafill refinements ACDGRP and ACDSGRP as described below.

Field descriptions for conditional datafill

Field	Subfield or refinement	Entry	Explanation and action
	ACDGRP	alphanumeric (1 to 16 characters)	<i>ACD group</i> Enter the name of the ACD group to which this station belongs. The table name must also be datafilled in table ACDGRP. This is the ACD group that is associated with the AEMK.
	ACDSGRP	0 to 255	<i>ACD subgroup</i> Enter the subgroup number to which this station belongs. This number must be datafilled in table ACDSGRP. Subgroup information indicates which supervisor is assigned to the agent position. This is the subgroup that is associated with the AEMK. An entry outside of this range is invalid.

Datafill example

The following example shows sample datafill for table KSETLINE format ACD.

In this example

- The business set INCALLS line is assigned to LEN 00 1 02 03 in the host switching unit and the call agent line is assigned to LEN 00 1 02 05 in the host switching unit.
- Key 1 is assigned to the INCALLS key and key 2 is assigned to the call agent key.
- The directory number for the INCALLS key is 2265235 (assigned for billing only) and the directory number for the CAG key is 2265236.
- Ringing is applied to the set on termination for both keys.
- Both directory numbers are assigned to subgroup 0 of customer group COMKODAK.
- Both directory numbers are assigned network class of service number 0.
- Both directory numbers are assigned to home serving NPA 613.
- Both directory numbers are assigned to ACD group ACDGRP1.

KSETLINE format ACD (end)

- Both directory numbers are assigned to ACD subgroup 1. Entry 1 has an ACD position identification of 00011.
- Both directory numbers have no options.

MAP display example for table KSETLINE format ACD

KSETKEY		FORMAT		DNRESULT	
HOST	00 1 02 03 1	ACD	Y	2265235	
		COMKODAK	0	0 613	
	INCALLS N	ACDGRP1	1 Y 00011		⌘
HOST	00 1 02 05 2	ACD	Y	2265236	
		COMKODAK	0	0 613	
		CAG			⌘

Table history

SN07 (DMS)

Activity A00004391 increased the range of subfield POSID to 30 000.

KSETLINE format DN

Directory number

The directory number (DN) format is used for regular DNs including private business lines for business sets, data units, and integrated services digital network (ISDN) terminals.

The DN format allows the addition of ISDN basic rate access functional set (BRAFS) where the DN associated with the tuple is a distributed line hunt (DLH) or multiline hunt (MLH) group member.

Feature AF6782, ISDN Packet Single DN, and feature AF6777, ISDN Shared Packet, provide functionality for sharing call types on ISDN integrated terminals (IT). The voice information (VI)/circuit mode data (CMD) call type and the packet mode data (PMD) call type are assigned to the same DN but separate keys on an IT, to enable two B-channel and one D-channel (2BD) service. A DN can only be datafilled as shared if SOC option NI000051 is on. Deleting a VI CMD or PMD shared IT is allowed when SOC NI000051 is idle. The following table control rules for shared ISDN terminals apply to table KSETLINE:

- You can add tuples for VI/CMD and PMD call types on ITs using the same DN and defining different keys.
- You can add VI/CMD and PMD shared attributes to IT tuples.
- You can remove VI/CMD and PMD shared attributes from IT tuples.
- You can remove tuples with shared VI/CMD and PMD attributes.

Note: For more information about DN call type sharing, see feature AF6782 in the *Feature Description Manual*.

The Single DN for EKTS and CMD feature (NA010 and up), modifies table KSETLINE to allow tuples containing each MADN CACH call appearance and a tuple containing the key that provides the CMD appearances by the CRBL (0,x) option. The same LTID can have both MADN VI appearances and CMD appearances (with CRBL).

Feature 59013267, On-demand B-channel X.25 Packet Mode Data—Provisioning, Data Distribution Manager, and XLIU (NA014 and up), modifies table KSETLINE to allow tuples containing a primary DN provisioned with the option On-demand B-channel (ODB). Provisioning option ODB on the primary DN (key 1) in table KSETLINE, prevents the provisioning of the VI DN on any key. Provisioning the VI, VI_CMD, and CMD DN as the primary DN allows the provisioning of up to two additional

KSETLINE format DN (continued)

ODB DNs. The provisioning of the two additional ODB DNs can be on any key in table KSETLINE.

Note: The object manager command interpreter (OBJMGRCI) is a translation tool that can be used to verify datafill in table KSETLINE.

**CAUTION**

**OBJMGRCI IS A DANGEROUS TOOL!
PROCEED WITH CAUTION. PLEASE CALL
NT SUPPORT IF THERE IS A PROBLEM.**

Datafill

The following table lists datafill for table KSETLINE format DN.

Field descriptions (Sheet 1 of 9)

Field	Subfield	Entry	Explanation and action
KSETKEY		see subfields	Keypset key. This field consists of subfields LEN and KEY.
	LEN	see subfields	Line equipment number. This field defines the physical location of the equipment that is connected to a specific telephone line. Because field LEN is common to more than 60 tables, it is documented in a single section to avoid unnecessary duplication. Refer to section "Common entry field LEN" for a complete description of field LEN and associated subfields. For ISDN lines, field LEN consists of subfield LTID. For non-ISDN lines, field LEN consists of subfields SITE, FRAME, UNIT, DRAWER or LSG, SHELF, SLOT, and CIRCUIT.

KSETLINE format DN (continued)**Field descriptions (Sheet 2 of 9)**

Field	Subfield	Entry	Explanation and action
	KEY	1 to 69	Physical key. Enter the number that is associated with the physical keyset to which the directory number (DN) is assigned. Always assign key 1 to the set's primary DN and enter it before any of the set's other DN keys. For M3000 digital telephones, only keys 1 to 6 can be used. For M2317 digital telephones, only keys 1 to 11 can be used. For an ISDN terminal, enter the feature activator (FA) number. Use keys 1 to 64 only.
FORMAT		DN	Format. Enter DN for regular directory number.
DNRESULT		see subfields	Directory number result. This field consists of subfields RING, DN, CUSTGRP, SUBGRP, NCOS, SNPA, and OPTLIST.
	RING	Y or N	Ring set. Enter Y (yes) if the keyset is rung on terminations to this DN; otherwise, enter N (no).
	DN	numeric (up to 15 digits)	Directory number. Enter the DN assigned to the keyset.
	CUSTGRP	alphanumeric	Customer group. Enter the code from tables CXGRP and CUSTHEAD of the customer group to which the keyset is assigned.
	SUBGRP	0 to 7	Subgroup. Enter the subgroup in the customer group to which the keyset is assigned.
	NCOS	0 to 511	Network class of service. Enter the NCOS number that is assigned to the keyset.
	SNPA	numeric	Serving NPA. Enter the serving numbering plan area (NPA) to which the keyset is assigned. The SNPA can be up to seven digits in length.

KSETLINE format DN (continued)**Field descriptions (Sheet 3 of 9)**

Field	Subfield	Entry	Explanation and action
	OPTLIST	ACR, ACRJ, AMATEST, ARR, ATC, BLOCKCDN, BLOCKCGN, BRICLID, CCNR, CCW, CFXDNCT, CHG, CLIP, CMD, CNDBO, CTW, CWD, CWI, CWO, CWR, CWX, DCBI, DCBX, DCF, DCPU, DCPX, DFDN, DISCTO, DOR, DPCAR, DTM, EBX, ECT, ELN, FNT, ICSDEACT, ILB, IMB, IRR, LCDR, LNR, LNRA, MSB, MSBI, NDC, NOH, NTS_CID, NTS_DNID, ODB, ONI, PDO, PLP, PMD, RSP, SDS, SDSDENY, SFC, SL, SMDR, SORC, SUS, TES, UCD, VI	<p>Option list. Enter the list of options that you want to assign to the keyset. Separate each option by a blank space. You can add up to twenty of these options:</p> <ul style="list-style-type: none"> • Aggregate Calling Number Delivery Recording (ACR) • Anonymous Caller Rejection (ACRJ) • AMA Test (AMATEST) • Aggregate RND Recording (ARR) • Automatic Time and Charges (ATC) • Block Called Number (BLOCKCDN) • Block Calling Number (BLOCKCGN) • BRI Calling Line Identification (BRICLID) • Call Completion on No Reply (CCNR) • Call Forwarding per DN per call type (CFXDNCT) • Cancel Call Waiting (CCW) • Charge (CHG) • Calling Line Identification presentation (CLIP) • Circuit-Mode Data (CMD) • Calling Number Delivery Blocking Override (CNDBO) • Call Transfer Warning (CTW) • Dial Call Waiting (CWD) • Call Waiting Intragroup (CWI) • Call Waiting Originate (CWO) • Call Waiting Ringback (CWR) • Call Waiting Exempt (CWX) • Directed Call Pickup Barge-in (DCBI)

KSETLINE format DN (continued)**Field descriptions (Sheet 4 of 9)**

Field	Subfield	Entry	Explanation and action
	OPTLIST (continued)		<p data-bbox="865 426 1409 472">Option list (continued)</p> <p data-bbox="865 478 1409 604">Enter the list of options that you want to assign to the keyset. Separate each option by a blank space. You can add up to twenty of these options:</p> <ul data-bbox="865 611 1409 1728" style="list-style-type: none"> <li data-bbox="865 611 1409 688">• Directed Call Pickup Barge-in Exempt (DCBX) <li data-bbox="865 695 1409 730">• Denied Call Forwarding (DCF) <li data-bbox="865 737 1409 814">• Directed Call Pickup Non Barge-in (DCPU) <li data-bbox="865 821 1409 898">• Directed Call Pickup Non Barge-in Exempt (DCPX) <li data-bbox="865 905 1409 982">• Default DN (DFDN) on ISDN Integrated Terminals (IT) <li data-bbox="865 989 1409 1024">• Disconnect Time-out (DISCTO) <li data-bbox="865 1031 1409 1066">• Denied Originating Service (DOR) <li data-bbox="865 1073 1409 1150">• Detailed Privacy Change Allowed Recording (DPCAR) <li data-bbox="865 1157 1409 1192">• Denied Terminating Service (DTM) <li data-bbox="865 1199 1409 1234">• Executive Busy Override Exempt (EBX) <li data-bbox="865 1241 1409 1276">• Explicit Call Transfer (ECT) <li data-bbox="865 1283 1409 1318">• Essential Line Service (ELN) <li data-bbox="865 1325 1409 1360">• Free Number Terminating (FNT) <li data-bbox="865 1367 1409 1402">• In Call Service Deactivation (ICSDEACT) <li data-bbox="865 1409 1409 1444">• Inhibit Ring Reminder (IRR) <li data-bbox="865 1451 1409 1486">• Inhibit Make Busy (IMB) <li data-bbox="865 1493 1409 1528">• Inhibit Line Busy (ILB) <li data-bbox="865 1535 1409 1570">• Local Call Detail Recording (LCDR) <li data-bbox="865 1577 1409 1612">• Last Number Redial (LNR) <li data-bbox="865 1619 1409 1654">• LNR Associated with Set (LNRA)

KSETLINE format DN (continued)**Field descriptions (Sheet 5 of 9)**

Field	Subfield	Entry	Explanation and action
	OPTLIST (continued)		<p data-bbox="865 426 1409 474">Option list (continued)</p> <p data-bbox="865 478 1409 604">Enter the list of options that you want to assign to the keyset. Separate each option by a blank space. You can add up to twenty of these options:</p> <ul data-bbox="865 615 1409 1822" style="list-style-type: none"> <li data-bbox="865 615 1409 663">• Make Set Busy (MSB) <li data-bbox="865 667 1409 716">• MSB Intragroup (MSBI) <li data-bbox="865 720 1409 768">• No Double Connection (NDC) <li data-bbox="865 772 1409 821">• No Receiver Off-hook Tone (NOH) <li data-bbox="865 825 1409 894">• 800 Calling Number Identification (NTS_CID) <li data-bbox="865 898 1409 968">• 800 Dialed Number Identification Delivery (NTS_DNID) <li data-bbox="865 972 1409 1020">• On-demand B-channel (ODB) <li data-bbox="865 1024 1409 1073">• Operator Number Identification (ONI) <li data-bbox="865 1077 1409 1125">• Prevent Deletion Option (PDO) <li data-bbox="865 1129 1409 1178">• Plug Up Trouble Intercept (PLP) <li data-bbox="865 1182 1409 1230">• Packet-Mode Data (PMD) <li data-bbox="865 1234 1409 1283">• Restricted Sent Paid (RSP) <li data-bbox="865 1287 1409 1335">• Special Delivery Service (SDS) <li data-bbox="865 1339 1409 1409">• Special Delivery Service Deny (SDSDENY) <li data-bbox="865 1413 1409 1461">• Single Functional Call (SFC) <li data-bbox="865 1465 1409 1514">• Secondary Language (SL) <li data-bbox="865 1518 1409 1587">• Station Message Detail Recording (SMDR) <li data-bbox="865 1591 1409 1661">• Station Origination Restrictions Controller (SORC) <li data-bbox="865 1665 1409 1713">• Suspended Service (SUS) <li data-bbox="865 1717 1409 1766">• Toll Essential Service (TES) <li data-bbox="865 1770 1409 1818">• Uniform Call Distribution (UCD) <li data-bbox="865 1822 1409 1871">• Voiceband Information (VI)

KSETLINE format DN (continued)

Field descriptions (Sheet 6 of 9)

Field	Subfield	Entry	Explanation and action
	OPTLIST (continued)		<p>The following options appear in the option list of table KSETLINE only after they are entered in table KSETFEAT:</p> <ul style="list-style-type: none"> • Anonymous Caller Rejection (ACRJ) • Auto Answer Back (AAB) • Automatic Call Back (ACB) • ACB with AMA (ACBAMA) • Automatic Recall (AR) • AR with Automatic Message Accounting (ARAMA) • Call Forwarding (CFW) • Call Forwarding per DN per Call Type (CFXDNCT) • Call Pickup (CPU) • Customer Originated Trace (COT) • COT with AMA (COTAMA) • Call Waiting (CWT) • Directed Call Park (DCPK) • Executive Busy Override (EBO) • Malicious Call Hold (MCH) • Message Waiting (MWT) • Private Business Line (PBL) • Call Park (PRK) • Ring Again (RAG) • Single Line Queueing (SLQ) • Three-Way Calling (3WC)

KSETLINE format DN (continued)

Field descriptions (Sheet 7 of 9)

Field	Subfield	Entry	Explanation and action
			<p>Feature AF6782 supports sharing of voice information (VI) circuit mode data (CMD) call type, and packet mode data (PMD) call type on a single DN for integrated terminals (IT). To enable two B-channel and one D-channel (2BD) service on an IT, the PMD call type is assigned to a different key on an IT with the same DN as the VI CMD call type. Different call types are assigned to separate keys on the IT. If OPTION PMD call type is not assigned to a DN when an IT tuple is added, SERVORD assigns default call type VI CMD to that key.</p> <p>Feature AF7455 Single DN for EKTS and CMD allows a DN that is assigned MADN for VI calls to also support CMD on a single NI-2 ISDN terminal that is assigned both call types for that DN.</p> <p>The VI/CMD primary directory number (PDN) is automatically assigned to key one of an IT set. To specify the default DN (DFDN) for PMD, both DFDN and PMD are assigned to a key other than the PDN key.</p> <p>Option CCNR selects the call completion on no reply service. This service is valid only for ISDN BRI functional sets.</p> <p>Option CLIP presents the calling lines identity to the called user. This option is only applicable to the called user. The terminating network can only send the calling line identity if it is available and if the calling user has not activated the CLIP supplementary service. This option is only valid for ISDN BRI functional sets (BRIFS).</p> <p>The customer group option calling number delivery blocking override (CNDBO) performs the same function as the line option, but it is assigned on a customer group basis through table CUSTSTN. This option is packaged separately from every other option, that is, it cannot be packaged with other options.</p>

KSETLINE format DN (continued)

Field descriptions (Sheet 8 of 9)

Field	Subfield	Entry	Explanation and action
KSFMTARE		see subfields	Keypad format area. This area holds information dependent on the format ID. Only BRI has subfields.
	KSTFMTID	UND, MBS, IVD, BRI	Keypad format identification. Enter the type of keypad: UND for undefined, MBS for Meridian business set, IVD for integrated voice and data, or BRI for an ISDN set. Datafill subfields CALLTYPE and SLBRI_KSET_DATA for an entry of BRI.
	CALLTYPE	VI, CMD, PMD, VI_CMD, or UNDEF	ISDN call type. Enter the type of ISDN service: VI for voiceband information, CMD for circuit-mode data, PMD for packet-mode data, VI_CMD for both voice and circuit-mode data, or UNDEF for undefined.
	SLBRI_KSET_DATA	see subfields	SLBRI keypad data type. This field holds the line attribute (LINEATTR) index for an ISDN line designated as a single line BRI (SLBRI).
	IS_SLBRI	Y or N	Is it SLBRI? This subfield describes if the line is SLBRI. If the answer is N, the switch populates it with a nil LINEATTR (\$). If the answer is Y, datafill the following subfield.
	SLBRI_KSET_LATTR	see subfields	SLBRI keypad line attribute index. See subfields LINEATTR_KEY, XLAPLAN, and RATEAREA.
	LINEATTR_KEY	0-31, 999	Line attribute key. This field holds the SLBRI line attribute, which is an integer. If no LINEATTR exists, this field displays a \$, indicating nil. Note: If the SLBRI is a MADN secondary member or an MLH/DLH member, the line defaults to the nil index. Use the SERVORD command CHG to change the LINEATTR to a valid number.

KSETLINE format DN (continued)**Field descriptions (Sheet 9 of 9)**

Field	Subfield	Entry	Explanation and action
	XLAPLAN	alphanumeric (up to 16 characters)	Translation plan key. Specify the key into table XLAPLAN.
	RATEAREA	alphanumeric (up to 16 characters)	Rate area key. Specify the key into table RATEAREA.

Datafill examples

The following example shows sample datafill for table KSETLINE format DN. In this example the following is assumed:

- The business set is assigned to line equipment number 00 1 02 03 in the host switching unit.
- The station number is 226-5235 and is assigned to the PDN.
- Ringing is applied to the set on termination.
- The station is assigned to subgroup 0 of customer group COMKODAK.
- The station is assigned network class of service number 0.
- The station is assigned to home SNPA 613.
- The station has the directed call pickup exempt (DCPX) and station message detail recording (SMDR) options.

The next two examples illustrate datafill for a LTID that has both MADN VI appearances and CMD appearances (with CRBL) assigned.

KSETLINE format DN (continued)

MAP display example for table KSETLINE format DN

KSETKEY	FORMAT	DNRESULT
	KSTFMTID	KSFMTARE
HOST 00 1 02 03 1 DN	Y 2265235 COMKODAK 0 0 613	(DCPX) (SMDR) \$
HOST 00 1 02 04 1 NI2 380 1 MDN CACH 1 Y 7235123 BNR 0 0 613		(SFC) (VI) \$
HOST 00 1 02 04 1 NI2 380 3 DN Y 7235123 BNR 0 0 613		(SFC) (CMD) \$
ISDN 900 1 MDN CACH 1 Y Y 7230900 BNR 0 0 613 (SFC) \$ BRI VI		N \$
ISDN 901 1 MDN CACH 1 Y Y 7230901 BNR 0 0 613 (SFC) \$ BRI VI		Y (48 909_EAEO_48 L909_LATA1_42) \$

The following example shows sample datafill for table KSETLINE format DN for an ISDN office:

- The business set is assigned to the first logical terminal on the ISDN logical terminal group.
- The station has the Single Functional Call (SFC), VI, and CMD options. With both the VI and CMD call types assigned to the same DN on the same LTID, the DN is shared between the two call types.

Note: For ISDN, the fields SITE, FRAME, UNIT, DRAWER (LSG), and CIRCUIT are replaced by LTID, LTGRP, and LTNUM; all other fields are the same.

MAP display example for table KSETLINE format DN

KSETKEY	FORMAT	DNRESULT
	KSTFMTID	KSTFMTARE
ISDN	1 1 DN Y 2265235 COMKODAK 0 0 613	(SFC) (VI) (CMD) \$

Note 1: The default service logical terminal identifier (LTID) can only be associated with the dummy DN on key 1.

Note 2: The dummy DN can only be associated with the default service LTID on key 1.

KSETLINE format DN (continued)

Note 3: The default service tuple is not allowed to be deleted while the NI-2 SOC NI000051 state = on.

Note 4: The default service entry in table KSETLINE is datafilled at system engineering time and before the SOC NI000051 is turned ON. The SOC NI000051 Transition OK procedure must check that the default service tuple in this table is datafilled before allowing the BRI default service feature to be turned ON.

The following example shows sample datafill for table KSETLINE format DN with the ODB option assigned.

MAP display example for table KSETLINE format DN with ODB option

KSETKEY FORMAT			DNRESULT												
			KSTFMTID				KSTFMTARE								
PKT	100	1	DN	N	5551001	LONS634	0	0	613	ODB	\$	BRI	PMD	N	\$
PKT	101	5	DN	N	5551002	LONS634	0	0	613	ODB	\$	BRI	PMD	N	\$
PKT	101	6	DN	N	5551003	LONS634	0	0	613	ODB	\$	BRI	PMD	N	\$

Note 1: Provisioning the ODB option on the primary DN (key 1) in table KSETLINE prevents the provisioning of the voice DN on any other key in table KSETLINE.

Note 2: Provisioning the VI, VI_CMD, and CMD DN as the primary DN allows the provisioning of up to two ODB DNs on any other key in table KSETLINE.

The following error messages display when the DMS operating system rejects a table KSETLINE operation involving the ODB option:

- DMS operating system response when the user attempts to provision the ODB option on any other format than DN format:

```
"ONLY THE DN FORMAT IS SUPPORTED FOR INTEGRATED TERMINALS ODB OPTION"
```
- DMS operating system response when the user attempts to provision the ODB option on a DN with the ringing option set to YES:

```
"THE RINGING OPTION MUST BE SET TO NO FOR INTEGRATED TERMINALS ODB OPTION"
```
- DMS operating system response when the user attempts to update the ODB DAN data in table KSETLINE:

```
"THE ENTRY IN THE LTMAP TABLE MUST BE REMOVED FOR THE LTID"
```

KSETLINE format DN (end)

The following map display example is for table KSETLINE format DN with option CCNR.

MAP example for table KSETLINE format DN with CCNR option

```
KSETKEY FORMAT DNRESULT KSFMTID KSFMTARE
```

```
PTOM 1 1 DN Y 88883020 RUAPOTS 0 22 82 (SFC) (CCNR) $ BRI UNDEF N $  
PTOM 1 5 DN Y 87730210 RUAPOTS 0 22 82 (SFC) (CCNR) $ BRI UNDEF N $
```

KSETLINE format GIC

Group intercom

The group intercom (GIC) format can only be used for assigning lines (keys) on a business set to intercom groups. This format is not valid for data units.

Each line (key) can only belong to one intercom group but different keys on a business set apply to different groups.

An intercom group can have a maximum size of 10, 100, 1000, or 10 000 members but all members of a group must belong to the customer group. There can be a maximum of 4096 intercom groups in a DMS-100 switch that can either belong to one large customer group or spread across a number of customer groups.

To originate a call, the desired GIC key is pressed and the terminating member's number dialed. The corresponding GIC lamp of the terminating member flashes and audible ringing is given if the set is not busy. Pressing the flashing GIC key answers the call.

Datafill

The following table lists the datafill for table KSETLINE format GIC.

Field descriptions (Sheet 1 of 2)

Field	Subfield or refinement	Entry	Explanation and action
KSETKEY		see subfields	<i>Ket-set key</i> This field is the key to table KSETLINE and consists of subfields LEN and KEY.
	LEN	see subfields	<i>Line equipment number</i> This field defines the physical location of the equipment that is connected to a specific telephone line. Because field LEN is common to more than 60 tables, it is documented in a single section to avoid unnecessary duplication. Refer to section "Common entry field LEN" for a complete description of field LEN and associated subfields. For ISDN lines, field LEN consists of subfield LTID. For non-ISDN lines, field LEN consists of subfields SITE, FRAME, UNIT, DRAWER or LSG, SHELF, SLOT, and CIRCUIT.

KSETLINE format GIC (continued)

Field descriptions (Sheet 2 of 2)

Field	Subfield or refinement	Entry	Explanation and action
	KEY	1 to 69	<p><i>Physical key</i></p> <p>Enter the number that is associated with the physical keyset to which group intercom is assigned. Group intercom cannot be assigned to key 1.</p> <p>For M3000 digital telephones, only keys 2 to 6 can be used.</p> <p>For M2317 digital telephones, only keys 1 to 11 can be used.</p> <p>For an ISDN terminal enter the feature activator number, only keys 1 to 64 can be used.</p>
FORMAT		GIC	<p><i>Format</i></p> <p>Enter GIC for group intercom.</p>
DNRESULT		see subfields	<p><i>Directory number result</i></p> <p>This field consists of subfields ICMGRP, MEMBER, SMDR, and IGNORMSB.</p>
	ICMGRP	alphanumeric	<p><i>Intercom group</i></p> <p>Enter the name of the intercom group to which this key is assigned. Use up to eight characters.</p>
	MEMBER	0 to 9 00 to 99 000 to 999 or 0000 to 9999	<p><i>Member number</i></p> <p>Enter the number for either a 10 member (0 to 9), 100 member (00 to 99), 1000 member (000 to 999), or 10 000 member (0000 to 9999) that is dialed to reach the member.</p>
	SMDR	Y or N	<p><i>SMDR</i></p> <p>Enter Y (yes) if SMDR records are produced for calls originating from this GIC key; otherwise, enter N (no).</p>
	IGNORMSB	Y or N	<p><i>Ignore MSB</i></p> <p>Enter Y is group intercom is exempt from make set busy service. Enter N if group intercom is not exempt from make set busy service.</p>

KSETLINE format GIC (end)**Datafill example**

The following example shows sample datafill for table KSETLINE format GIC.

The business set is assigned to LEN 00 1 02 04 in the host switching unit. Member 7 of intercom group ICMMER is assigned to the key 5.

SMDR records are required to be produced for calls originating from this member.

MAP display example for table KSETLINE format GIC

KSETKEY		FORMAT		DNRESULT	
HOST	00 1 02 04 5	GIC	ICMMER	7	Y N

An example of possible datafill for an ISDN office is shown below.

The business set is assigned to the first logical terminal on the ISDN logical terminal group.

For ISDN, the fields SITE, FRAME, UNIT, DRAWER (LSG), and CIRCUIT are replaced by LTID, LTGRP, and LTNUM; all other fields are the same.

MAP display example for table KSETLINE format GIC

KSETKEY		FORMAT		DNRESULT	
ISDN	1 5	GIC	ICMMER	7	Y N

KSETLINE format MDN

Multiple Directory Number

The multiple directory number (MDN) format is used to assign multiple appearance directory numbers (MADN) to business sets. This format is not valid for data unit lines. This format has four variants: Single Call Arrangement (SCA), Multiple Call Arrangement (MCA), Extension Bridging (EXB), and Call Appearance Call Handling (CACH).

Mixing business sets with 500/2500 sets in the same MADN group is possible, since some features are assigned to the primary member of the MADN group. It is preferable to assign one member as the primary member. If it is not assigned, a member is chosen randomly as the primary member.

The maximum number of members in a MADN group (or CACH call appearance) is 32. Since all members are rung at the same time, it is advisable to spread the members of the same group across different line modules (LM) or line concentrating modules (LCM).

The following engineering assignment rules are enforced in table control and service orders:

- A maximum of four members of the same MADN group are allowed for each line subgroup (LSG).
- The actual maximum number of members that can be assigned to LSG is defined in parameter MAX_MADN_MEMBERS_PER_LSG in table OFCENG.
- Because the maximum number of MADN members of the same MADN group is eight for each LCM or LM, the eight members must be spread over as many LSGs as possible. No more than eight members of the same MADN group are allowed for each LCM or LM.
- A maximum of 16 members of the same MADN group are allowed for each line group controller (LGC) or line trunk controller (LTC).
- No more than 32 members are allowed in any MADN group.

Single call arrangement

With the MADN SCA feature, the number of calls that can be set up on the group is limited to one. When access to the group is granted to a member, all other members are locked out. Access to a MADN group is granted when a member originates a call on the idle MADN group or answers an incoming call.

KSETLINE format MDN (continued)

When MADN hold is activated on an active SCA call, the call is held and all members of the MADN group can then access the call by accessing their MADN line.

When an SCA call is in the talking state, the active member can invoke the privacy release to allow another member to join the call. The result is a conference call. The maximum number of conferees allowed, including the external party, is 30. SCA privacy release uses at least one six-port conference circuit.

Multiple Call Arrangement

The MCA feature allows individual calls made by all members of the group independent of the call states of others. Incoming calls to the MADN group are presented to all idle members and the first member to go off-hook is connected to the external party.

Once a member has a business set active on a call, the MADN lamp for that user is turned on. If no network connection is available between the off-hook member and the incoming call, this member is given network blockage heavy traffic treatment and the lamp stays on. The rest of the group remain in the ringing state (with their lamps flashing if they are business set users).

If there is more than one incoming call and the first incoming call is presented to the off-hook member, the other members remain in the ringing state.

If no network connection is available between the off-hook member and the first incoming call, then another incoming call is connected. If this attempt also fails, this member is given network blockage heavy traffic treatment and the MADN lamp stays on.

Extension Bridging

The EXB feature associates a single directory number (DN) with a group of subscriber lines that function as if the lines were extensions of a single line. The feature allows the group members to use the options assigned to the primary member (except that call forwarding must be applied only to the primary member).

For billing purposes, an EXB line is treated as a single line regardless of how many members are active on a call.

Call Appearance Call Handling

The CACH feature allows MADN EKTS calls to be directed to call appearances rather than directory numbers. Multiple call appearances of the same DN can then appear on the terminals. If the first call appearance (CA) of

KSETLINE format MDN (continued)

the DN is busy, a second call is terminated to the next CA. With MADN CACH, a shared DN can have multiple appearances (up to 16). Each appearance of the DN represents a group. Each group can contain up to 32 members. These groups are referred to as call appearances (CA). The number of calls that can be set up on each CA is limited to one. Each member is called a terminal call appearance (TCA).

KSETLINE format MDN (continued)

Feature interactions

Table features previously described for DN format or in table KSETLINE apply to MDN format with the following exceptions:

- The following features and MADN are mutually exclusive:
 - Circuit Switched Digital Data Service (CSDDS)
 - Do Not Disturb (DND)
 - Uniform Call Distribution (UCD)
 - Private Business Line (PBL)
 - Hunt Groups
- The following features interact with MADN with each line or each member basis:
 - Calling Line Identification (CLI)
 - Calling Line Identification With Flash (CLF)
 - Cutoff On Disconnect (COD)
 - Denied Call Forwarding (DCF)
 - Denied Incoming (DIN)
 - Denied Origination (DOR)
 - Denied Termination (DTM)
 - Free Number Termination (FNT)
 - Last Number Redial (LNR)
 - Malicious Call Hold (MCH)
 - Make Set Busy (MSB)
 - Make Set Busy Intragroup (MSBI)
 - Plug Up (PLP)
 - Requested Suspended (RSUS)
 - Suspended Service (SUS)
 - Special Billing (SPB)
 - Three-way Calling (3WC)

Features Executive Busy Override (EBO) and Directed Call Pickup- Barge-In (DCBI) cannot be used to barge in on an incoming call to the MADN group by another line. A member in the MADN group can use EBO to barge in on another line outside the group.

KSETLINE format MDN (continued)

Call Forwarding, all types

The Call Forwarding (CFW) feature is assigned for each group and the MADN group and CACH call controller for CACH must have a primary member. The CACH controller is the primary member of the primary CA (Table DNINV indicates which CA is the primary member for MADN CACH.) The CFW feature is assigned to the primary member. The primary member can program, activate and deactivate CFU, CFI, CFUI for SCA, MCA, EXB, SBA, and MBA MADN groups. Call Forwarding MADN Secondary Member (CFMADN) allows secondary members to program, activate, and deactivate MADN groups. Call Forwarding is a subset feature (see table KSETFEAT) and it can only include those DN appearances for MADN members if they are primary members. Only the primary member in an SCA, MCA, SBA, or MBA group receives ring splash when the call is forwarded. For MCA, the call is forwarded only when all the resources are exhausted. That is, all members are busy for CFB and no member answers the call for a predetermined amount of time for CFD.

Call Park

The Call Park (PRK) feature is assigned for each line or each member. Only the member of the group who parked the call is rerung when the parking meter times out. Since the call is parked against the DN, only one call is parked for each MADN group.

Call Pickup

The Call Pickup (CPU) feature is assigned for each line or each member. Members are not restricted to belong to the same CPU group.

Call Waiting

The Call Waiting (CWT) feature is assigned for each member or each line for SCA, but can only be assigned to the primary member for MCA. The call waits on the primary member's line of the MADN MCA group if all members are busy on a call. For SCA, the call waits if a line having this feature is active on a call.

Ring Again

The Ring Again (GAG) feature is assigned for each line or each member. Any member is allowed to instigate ring again but only that member receives the ring again recall for that call. Only one ring again request is allowed for each MADN member.

Subscriber Line Usage

The Subscriber Line Usage (SLU) feature can only be assigned to the primary DN of the set for a MADN group. It cannot be assigned to keyset (business set and data unit) MADN lines that have secondary DN appearances on the set. The SLU is assigned to either the LEN or the DN. For MADN, SLU cannot

KSETLINE format MDN (continued)

be assigned to the DN because more than one line shares the same DN. If assigned to the LEN, then only the usage of the primary DN of the set is recorded for all calls.

Trunk Answer from any Station

A MADN group can be a TAFAS device that can be answered directly or picked up through the use of the TAFAS access code. A MADN group member can also answer a TAFAS call with the access code.

Field descriptions

The following table lists the datafill for table KSETLINE format MDN.

Field descriptions (Sheet 1 of 4)

Field	Subfield	Entry	Explanation and action
KSETKEY		see subfields	Keypad key. This field consists of subfields LEN and KEY.
	LEN	see subfields	Line equipment number. This field defines the physical location of the equipment that is connected to a specific telephone line. Because field LEN is common to more than 60 tables, it is documented in a single section to avoid unnecessary duplication. Refer to section "Common entry field LEN" for a complete description of field LEN and associated subfields. For ISDN lines, field LEN consists of subfield LTID. For non-ISDN lines, field LEN consists of subfields SITE, FRAME, UNIT, DRAWER or LSG, SHELF, SLOT, and CIRCUIT.
	KEY	1 to 69	Key. Enter the number that is associated with the physical keypad to which the directory number is assigned. Key 1 must always be assigned to the set's primary DN and must always be entered before any of the set's other DN keys. For M3000 digital telephones, only keys 1 to 6 can be assigned. For M2317 digital telephones, only keys 1 to 11 can be assigned. For ISDN terminals enter the feature activator number. Only keys 1 to 64 can be assigned.

KSETLINE format MDN (continued)

Field descriptions (Sheet 2 of 4)

Field	Subfield	Entry	Explanation and action
FORMAT		MDN	Format. Enter MDN for multiple appearance directory number.
	MDNTYP	MCA, SCA, EXB, CACH	MADN type. Enter the type of call arrangement: MCA for multiple call arrangement, SCA for single call arrangement, EXB for extension bridging, or CACH for call appearance call handling.
DNRESULT		see subfields	Directory number result. This field consists of subfields MDNTYPE, CA, PRIMARY, RING, DN, CUSTGRP, SUBGRP, NCOS, SNPA, and OPTLIST.
	CA	0-16	Call appearance. Enter the CA number. For MDN types SCA, MCA, and EXB the CA value is 0. For the MDN CACH type, the valid range is 1-16.
	PRIMARY	Y or N	Primary member. Enter Y (yes) if this is the primary member of the multiple appearance group; otherwise, enter N (no).
	RING	Y or N	Ring set. Enter Y (yes) if the keyset is rung on the terminations to this directory number; otherwise, enter N (no).
	DN	alphanumeric vector of up to 15 digits	Directory number. Enter the directory number, up to 15 digits assigned to the keyset. Note: When using table KSETLINE through SERVORD, subfield DN of field DNRESULT is changed to reflect a DN that can range from one to seven digits in length in a non-North American office, rather than a fixed seven digits. The DN must still be seven digits in a North American office.
	CUSTGRP	alphanumeric	Customer group. Enter the code that is assigned in table CUSTHEAD for the customer groups keyset.
	SUBGRP	0 to 7	Subgroup. Enter the subgroup within the customer group to which the keyset is assigned.

KSETLINE format MDN (continued)

Field descriptions (Sheet 3 of 4)

Field	Subfield	Entry	Explanation and action
	NCOS	0 to 511	Network class of service. Enter the NCOS number that is assigned to the keyset.
	SNPA	numeric (up to 7 digits)	Serving NPA. Enter the serving numbering plan area (NPA) to which the keyset is assigned. This can be up to seven digits in length.
	OPTLIST	ATC, CWI, DCBI, DCBX, DCF, DCPU, DCPX, DOR, DTM, EBX, ELN, FNT, ICSDEACT, LCDR, LNR, MSB, MSBI, NDC, NOH, ONI, PLP, RSP, SDS, SDSDENY, SMDR, SUS, TES	Option list. Enter the list of options that are assigned to the keyset. Each option must be separated from each other by a blank space. Up to 20 options can be added. Options AAB, CFX, CPU, CWT, DCPK, EBO, MCH, MWT, PRK, RAG, and 3WC appear in the option list of table KSETLINE after they are entered in table KSETFEAT.
KSFMTARE		see subfields	Keyset format area. This area holds information dependent on the format ID. Only BRI has subfields.
	KST_FMT_ID	UND, MBS, IVD, BRI	Keyset format identification. Enter the type of keyset: UND for undefined, MBS for Meridian business set, IVD for integrated voice and data, or BRI for an ISDN set. Datafill subfields CALLTYPE and SLBRI_KSET_DATA for an entry of BRI.
	CALLTYPE	VI, CMD, PMD, VI_CMD, or UNDEF	ISDN call type. Enter the type of ISDN service: VI for voiceband information, CMD for circuit-mode data, PMD for packet-mode data, VI_CMD for both voice and circuit-mode data, or UNDEF for undefined.
	SLBRI_KSET_DATA	see subfields	SLBRI keyset data type. This field holds the line attribute (LINEATTR) index for an ISDN line designated as a single line BRI (SLBRI).

KSETLINE format MDN (continued)

Field descriptions (Sheet 4 of 4)

Field	Subfield	Entry	Explanation and action
	IS_SLBRI	Y or N	Is it SLBRI? This subfield describes if the line is SLBRI. If the answer is N, the switch populates it with a nil LINEATTR (\$). If the answer is Y, datafill the following subfield.
	SLBRI_KSET_LATTR	see subfields	SLBRI keyset line attribute index. See subfields LINEATTR_KEY, XLAPLAN, and RATEAREA.
	LINEATTR_KEY	alphanumeric (1 to 16 characters)	Line attribute key. This field holds the SLBRI line attribute, which is an integer. If no LINEATTR exists, this field displays a \$, indicating nil. Note: If the SLBRI is a MADN secondary member or an MLH/DLH member, the line defaults to the nil index. Use the SERVORD command CHG to change the LINEATTR to a valid number.
	XLAPLAN	alphanumeric string (max 16 characters)	Translations plan key. Specify the key into table XLAPLAN.
	RATEAREA	alphanumeric string (max 16 characters)	Rate area key. Specify the key into table RATEAREA.

Datafill example

An example of possible datafill for an MDN format is shown in the following figure.

KSETLINE format MDN (end)**MAP display example for table KSETLINE format MDN**

	KSETKEY	FORMAT	DNRESULT
		KST_FMT_ID	KSFMTARE
HOST	00 0 00 25 2	MDN MCA 0 N Y 9529341 CGA 1 0 909 (3WC)	\$
HOST	00 0 00 25 3	MDN CACH 1 N Y 9529302 CGA 1 0 909 (3WC)	\$
ISDN	1 1	MDN CACH 2 N Y 9529302 CGA 1 0 909 (3WC)	\$
ISDN	900 1	MDN CACH 1 Y Y 7230900 BNR 0 0 613 (SFC)	\$ BRI VI N \$
ISDN	901 1	MDN CACH 1 Y Y 7230901 BNR 0 0 613 (SFC)	\$ BRI VI Y (48 909_EAEO_48 L909_LATA1_42) \$

KSETQCK

Table name

Business Set and Data Unit Quick Conference Key Table

Functional description

The key feature Quick Conference Key (QCK) is added to the valid range of features that can be datafilled on an electronic business set (EBS) feature key in table KSETFEAT.

Table KSETQCK is similar to table IBNSC for speed calling. It holds the directory numbers (DNs) programmed against every QCK feature assigned to an EBS phone.

Datafill sequence and implications

Table KSETFEAT must be datafilled before table KSETQCK.

Table size

1 to 16 384 tuples

KSETQCK (continued)**Datafill**

The following table lists datafill for table KSETQCK.

Field descriptions

Field	Subfield or refinement	Entry	Explanation and action
QCKKEY		see subfields	<i>Quick conference key</i> This is the key for table KSETQCK and consists of subfields LEN and KSETKEY.
	LEN	see subfields	<i>Line equipment number</i> This field defines the physical location of the equipment that is connected to a specific telephone line. Because field LEN is common to more than 60 tables, it is documented in a single section to avoid unnecessary duplication. Refer to section "Common entry field LEN" for a complete description of field LEN and associated subfields. Field LEN consists of subfields SITE, FRAME, UNIT, DRAWER or LSG, SHELF, SLOT, and CIRCUIT.
	KSETKEY	1 to 69	<i>Keyset key number</i> Enter the keyset key number that is assigned to the Quick Conference Key (QCK) feature in table KSETFEAT.
RESULT		numeric (up to 15 digits)	<i>Result</i> This field contains the digits or codes that are otherwise dialed to make the call transfer. Any valid range of digits or speed calling code is accepted.

Datafill example

The following example shows sample datafill for table KSETQCK.

KSETQCK (end)

MAP display example for table KSETQCK

QCKKEY	RESULT
-----	-----
HOST 00 0 00 09 3	6210193

Supplementary information

This section provides information on dump and restore procedures for table KSETQCK.

Because subscribers can have the ability to program the QCK keys, this table must be dumped and restored during the BCS application and not during the dump and restore process. This ensures the latest information is transferred to the next BCS.

KTGROUP

Table name

Killer Trunk Group Table

Functional description

Table KTGROUPlists the trunk groups to function when the value for field MODE in table KTPARMS is MANUAL or SEMIAUTO.

Refer to table KTPARMS for related information.

Datafill sequence and meaning

Enter data into the following tables before you enter data into table KTGROUPl:

- CLLI
- TRKGRP

Table size

0 to 8192 tuples

Tuple TRKGRP in table DATASIZE controls the size of table KTGROUPl.

Datafill

Datafill for table KTGROUPl appears in the following table.

Field descriptions

Field	Subfield or refinement	Entry	Explanation and action
KTKEY		alphanumeric (1 to 16 characters)	<i>Killer trunk key.</i> Enter the common language location identifier (CLLI) assigned to the trunk groups the system uses if MODE in table KTPARMS is MANUAL or SEMIAUTO. The NTX053AA feature package (Maintenance Assistance Package) must support the specified trunk groups. Table TRKGRP must define these trunk groups.

Datafill example

Sample datafill for table KTGROUPl appears in the following example.

KTGROUP (end)

MAP example for table KTGROU

KTKEY

REGOEAICDTC
REGIEAICDTC
REGISCAMADTC
REGOLAMA
REGIEAS
REGOEAS
REGOTOLL
REGITOLL
LMEATRAF

KTMINMAX

Table name

Killer Trunk Minimum Maximum Table

Functional description

Table KTMINMAX allows the operating company to define killer trunk requirements for peg counts and average holding time for each trunk. Table TRKGRP must define trunk groups entered in table KTMINMAX. Feature package NTX053 (Maintenance Assistance) must support the entered trunk groups.

The KREPORT command provides an option that uses the values in table KTMINMAX during analysis.

Refer to table KTPARMS for related information.

Datafill sequence and meaning

- Enter the following tables before you enter table KTMINMAX:
- CLLI
- TRKGRP

Table size

0 to 8191 tuples

The ADNUM of the common language location identifier (CLLI) entered determines how the system allocates storage for table KTMINMAX.

KTMINMAX (end)

Datafill

Datafill for table **KTMINMAX** appears in the following table.

Field descriptions

Field	Subfield or refinement	Entry	Description and action
GROUP		alphanumeric(1 to 16character)	Enter the CLLI from table TRKGRP. This field is the key for this table. This field does not have a default value.
KTPEGMIN		numeric (1 to 32 767)	<i>Killer trunk peg minimum</i> Enter the peg threshold that determines if a trunk is a killer trunk. This field does not have a default value.
KTHTMAX		numeric (1 to 32 767)	<i>Killer trunk holding time maximum</i> Enter the average holding time threshold in seconds that determines if a trunk is a killer trunk. This field does not have a default value.
SRHTMIN		numeric (1 to 32 767)	<i>Slow release holding time minimum</i> Enter the average holding time in seconds that determines if a trunk is a slow release trunk. This field does not have a default value.

Datafill example

Sample datafill for table **KTMINMAX** appears in the following example.

MAP example for table KTMINMAX

GROUP	KTPEGMIN	KTHTMAX	SRHTMIN
REGOEAICDTC	200	15	100
REGIEAICDTC	200	15	100
REGOTOLL	450	30	200
REGITOLL	450	30	200

KTPARMS

Table name

Killer Trunk Parameters Table

Functional description**Summary**

The Killer Trunk Reporting Feature provides the following tables:

- Table KTPARMS (killer trunk parameters)
- Table KTGROUP (killer trunk group)
- Table KTMINMAX (killer trunk minimum maximum)

The Killer Trunk Reporting Feature replaces the bolt-on individual circuit usage and peg count (ICUP) equipment. This feature exceeds the capability of this equipment. The killer trunk (KT) software detects trunks with a minimum of one of the trunk type properties that follow.

Killer trunks

Killer trunks are trunks that the system repeatedly seizes. The system does not hold these killer trunks for a long period of time because of a failure. Bad transmission can cause subscribers drop the connection and attempt the call again. This action is an example of a killer trunk. Killer trunks have a greater than normal attempt rate.

Slow-release trunks

Slow-release trunks have a low attempt rate and high use. Defective supervisory equipment normally causes this condition.

Always-busy trunks

Always-busy trunks have do not attempts. These trunks are busy during the complete report interval. For example, if the report interval is 1 h and the use is 36.0 hundred call seconds (CCS), the trunk is an always-busy trunk. Under-engineering of the group, normal high use and defective equipment cause this condition.

Always-idle trunks

Always-idle trunks have a use of 0 CCS and zero attempts. Incorrect network management controls, over-engineering, and equipment failure cause this condition.

KTPARMS (continued)

Average holding time

To identify killer trunk properties, determine the average holding time (AHT) for trunk circuits. To determine the average holding time, complete the following equation:

$$\text{AHT} = \text{use} / \text{pegs}$$

where

use

is the circuit use measured in a report interval

pegs

is the number of trunk seizures measured during the report interval

Average holding time

$$\text{Average holding time} = \frac{\text{use}}{\text{pegs}}$$

To measure trunk seizure pegs, update registers from call processing on origination or trunk selection.

A separate process that works against call processing and operates with report intervals measures trunk use. This process gathers use measurements for all recorded trunks.

Functional description

The KTPARMS table contains one tuple from which the system controls the KT process.

The system activates parameters that table KTPARMS defines when the ENABLE field is ON. To change a parameter when ENABLE is ON, set ENABLE to OFF. Return ENABLE back to ON.

Instrument trunks at the start of each report interval.

KTPARMS (continued)

The report interval is not always a divider of the difference between the start and stop times. The report interval ignores the last partial interval. The system does not instrument trunks for the partial interval.

Datafill sequence and meaning

You do not need to enter other tables before table KTPARMS.

Table size

The size of the table is a maximum of one tuple.

Datafill

Datafill for table KTPARMS appears in the following table.

Field descriptions (Sheet 1 of 4)

Field	Subfield or refinement	Entry	Description and action
KEY		KTPARMS	<i>Key.</i> Enter the key, KTPARMS.
ENABLE		ON or OFF	<i>Enable.</i> This field is the master switch that controls the KT process. When the field is OFF, the system stops the KT observation process. When the field is ON, the system activates the KT observation process. The default value is OFF.
SCANRATE		FAST or SLOW	<i>Scan rate.</i> Enter FAST to specify that the system scans all recorded trunk groups for use each 10 s interval. Enter SLOW to specify that all recorded trunk groups are checked for use each 100 s interval. The default value is FAST.
START		refer to subfields	<i>Start.</i> This field contains subfields HRS and MNS. This field specifies the time of day that KT observation starts.
	HRS	numeric (0 to 23)	<i>Hours.</i> Enter the hour value of the required observation start time. The default value is 0.
	MNS	numeric (0 to 59)	<i>Minutes.</i> Enter the minute value of the required observation start time. The default value is 0.

KTPARMS (continued)

Field descriptions (Sheet 2 of 4)

Field	Subfield or refinement	Entry	Description and action
STOP		refer to subfields	<i>Stop.</i> This field contains subfields HRS and MNS. This field specifies the time of day that KT observation stops. If START and STOP times are the same, the observation period is 24 h.
	HRS	numeric (0 to 23)	<i>Hours.</i> Enter the hour value of the required observation stop time. The default value is 1.
	MNS	numeric (0 to 59)	<i>Minutes.</i> Enter the minute value of the required observation stop time. The default value is 0.
REPORT		refer to subfields	<i>Report.</i> This field contains subfields HRS and MNS. This field specifies the report interval. The report interval is the report period. This field has the following restrictions: <ul style="list-style-type: none"> • The interval cannot exceed the difference between the START and STOP time. • The interval must be a minimum of 15 min in length.
	HRS	numeric (0 to 23)	<i>Hours.</i> Enter the hour value of the required report interval. The default value is 0.
	MNS	numeric (0 to 59)	<i>Minutes.</i> Enter the minute value of the required report interval. The default value is 15.
KTPEGMIN		numeric (1 to 32 767)	<i>Killer trunk peg minimum.</i> Enter the killer trunk minimum peg threshold. This value is the default value that the system uses when the system generates reports. The default value is 999.

KTPARMS (continued)

Field descriptions (Sheet 3 of 4)

Field	Subfield or refinement	Entry	Description and action
KTHTMAX		numeric (1 to 32 767)	<p><i>Killer trunk holding time maximum.</i> Enter the killer trunk holding time threshold in 1 s intervals. This value is the default value that the system uses to generate reports.</p> <p>The default value is 1.</p>
SRHTMIN		numeric (1 to 32 767)	<p><i>Slow-release holding time minimum.</i> Enter the slow-release holding time threshold in 1 s intervals. This value is the default value that the system uses to generate reports.</p> <p>The default value is 999.</p>
REPTYPE		ALLTRKS EXCEPTION SPARE1 SPARE2	<p><i>Report type.</i> The entry in this field controls the type of report sent to the KT stream of the Device Independent Recording Package (DIRP) subsystem.</p> <p>If the entry is ALLTRKS, the system outputs all trunks under observation (recorded), to the report. The system sends this report to the KT DIRP stream. Detection of trouble by the system does not affect this action.</p> <p>If the entry is EXCEPTION, the system outputs trunks that have one or more of the killer trunk characteristics. These characteristics include always idle, always busy or slow release. The system outputs these trunks to the report that the system sends to the KT DIRP stream.</p> <p>The entry values SPARE1 and SPARE2 are not now in use. The system saves these values for future expansion.</p> <p>The default value is EXCEPTION.</p>
NTRUNKS		numeric (0 to 2047)	<p><i>Number of trunks.</i> Feature package NTX053 (Maintenance Assistance) does not use this field. The NOS subsystem refers to this field.</p> <p>Enter the maximum number of trunks that the system can record at a specified time.</p> <p>The default value is 2047.</p>

KTPARMS (end)

Field descriptions (Sheet 4 of 4)

Field	Subfield or refinement	Entry	Description and action
MODE		AUTO MANUAL SEMIAUTO	<p><i>Mode.</i> Enter the mode of operation: AUTO, MANUAL or SEMIAUTO.</p> <p>The AUTO mode causes the KT process to cycle through the set of trunks in an office. The KT process instruments as many trunks as possible during each interval.</p> <p>The MANUAL mode causes the KT process to instrument trunks that groups indicate. Table KTGROUP defines these groups.</p> <p>The SEMIAUTO mode causes the KT process to cycle through the set of trunks that table KTGROUP identifies. The KT process records as many trunks as possible during each interval.</p> <p>The default value is MANUAL.</p>
GENKTLOG		OFF or ON	<p><i>Generate killer trunk log.</i> Enter ON to generate a KTRK100 log report that contain exceptions at the end of each report interval. Enter OFF if you do not want to generate a KTRK100 log report. The value of the REPTYPE field does not affect this log.</p> <p>The default value is OFF.</p>

Datafill example

Sample datafill for table KTPARMS appears in the following example.

MAP example for table KTPARMS

KEY	ENABLE	SCANRATE	START	STOP	REPORT	KTPEGMIN	KTHITMAX	SRHTMIN
REPTYPE	NTRUNKS	MODE	GENKTLOG					
KTPARMS	OFF	FAST	0 0	1 1	0 15	999	1	999
EXCEPTION	2047	MANUAL	OFF					

L2ABNLOG

Table name

Layer 2 Abnormality Log Control

Functional description

Table L2ABNLOG stores the reporting status for layer 2 controllable log reports for individual ISDN lines. Entries appear in this table only if they override the office-wide default status set for these log reports. The office-wide status for layer 2 abnormality log reports is set in office parameters in table ISDNVAR (Integrated Services Digital Network Variable).

Entries in this table are made either by the table editor or the MAP (maintenance and administration position) level command L2LOGCTL. The L2LOGCTL command is a non-menu command at the LTPISDN MAP level. Use this command to set the layer 2 abnormality log report status in table L2ABNLOG for a posted ISDN line.

Table L2ABNLOG is dynamically updated to reflect changes made in the status of log reports for individual ISDN lines resulting from the use of the L2LOGCTL command.

Datafill sequence and implications

Table LNINV must be datafilled before table L2ABNLOG.

There is no requirement to datafill other tables prior to table L2ABNLOG.

Table size

0 to 65520 tuples

L2ABNLOG (continued)**Datafill**

The following table lists datafill for table L2ABNLOG.

(Sheet 1 of 6)

Field	Subfield	Entry	Explanation and action
LEN		see subfields	<p>Line equipment number. This field defines the physical location of the equipment that is connected to a specific telephone line.</p> <p>Because field line equipment number (LEN) is common to more than 60 tables, it is documented in a single section to avoid unnecessary duplication. Refer to section "Common entry field LEN" for a complete description of field LEN and associated subfields.</p> <p>Field LEN consists of subfields SITE, FRAME, UNIT, DRAWER or LSG, SHELF, SLOT, and CIRCUIT.</p>
OVR		ON or OFF	<p>Override. Status of override value for line-based control of abnormality log report generation.</p> <p>Enter ON to have individual line-based control setting for abnormality log report generation override the office-wide setting.</p> <p>Enter OFF to turn off individual line-based override control of abnormality log report generation.</p>
LAPD		ON or OFF	<p>Link Access Protocol for the D-channel. Report generation status for LAPD log reports.</p> <p>Enter ON to turn on generation of LAPD log reports.</p> <p>Enter OFF to turn off generation of LAPD log reports.</p>

L2ABNLOG (continued)

(Sheet 2 of 6)

Field	Subfield	Entry	Explanation and action
TAA1		ON or OFF	<p>Terminal endpoint identifier (TEI) assignment abnormality 1 (TAA1). Status of line-based control of generation of TAA1 log report indicating: subscription limits exceeded.</p> <p>Enter ON to turn on individual line-based control for TAA1 log report generation.</p> <p>Enter OFF to turn off individual line-based control for TAA1 log report generation.</p>
TAA2		ON or OFF	<p>TEI assignment abnormality 2. Status of line-based control of generation of TAA2 log report indicating: no terminal response.</p> <p>Enter ON to turn on individual line-based control for TAA2 log report generation.</p> <p>Enter OFF to turn off individual line-based control for TAA2 log report generation.</p>
TAA3		ON or OFF	<p>TEI assignment abnormality 3. Status of line-based control of generation TAA3 log report indicating: routine test.</p> <p>Enter ON to turn on individual line-based control for TAA3 log report generation.</p> <p>Enter OFF to turn off individual line-based control for TAA3 log report generation.</p>
TAA4		ON or OFF	<p>TEI assignment abnormality 4. Status of line-based control of generation TAA4 log report indicating: multiple TEI response.</p> <p>Enter ON to turn on individual line-based control for TAA4 log report generation.</p> <p>Enter OFF to turn off individual line-based control for TAA5 log report generation.</p>
TAA5		ON or OFF	<p>TEI assignment abnormality 5. Status of line-based control of generation of TAA5 log report indicating: identity verify message.</p> <p>Enter ON to turn on individual line-based control for TAA5 log report generation.</p> <p>Enter OFF to turn off individual line-based control for TAA5 log report generation.</p>

L2ABNLOG (continued)

(Sheet 3 of 6)

Field	Subfield	Entry	Explanation and action
TAA6		ON or OFF	<p>TEI assignment abnormality 6. Status of line-based control of generation of TAA6 log report indicating: unsolicited response.</p> <p>Enter ON to turn on individual line-based control for TAA6 log report generation.</p> <p>Enter OFF to turn off individual line-based control for TAA6 log report generation.</p>
TAA7		ON or OFF	<p>TEI assignment abnormality 7. Status of line-based control of generation of TAA7 log report indicating: TEI not assigned.</p> <p>Enter ON to turn on individual line-based control for TAA7 log report generation.</p> <p>Enter OFF to turn off individual line-based control for TAA7 log report generation.</p>
ABN1		ON or OFF	<p>Abnormality 1. Status of line-based control of generation of ABN1 log report indicating: disconnected mode (DM) frame received as response to a Set Asynchronous Balanced Mode Extended (SABME) frame.</p> <p>Enter ON to turn on individual line-based control for ABN1 log report generation.</p> <p>Enter OFF to turn off individual line-based control for ABN1 log report generation.</p>
ABN2		ON or OFF	<p>Abnormality 2. Status of line-based control of generation of ABN2 log report indicating: DM frame sent in response to SABME from received.</p> <p>Enter ON to turn on individual line-based control for ABN2 log report generation.</p> <p>Enter OFF to turn off individual line-based control for ABN2 log report generation.</p>

L2ABNLOG (continued)

(Sheet 4 of 6)

Field	Subfield	Entry	Explanation and action
ABN3		ON or OFF	<p>Abnormality 3. Status of line-based control of generation of ABN3 log report indicating: Frames received with a control field that is undefined or not implemented.</p> <p>Enter ON to turn on individual line-based control for ABN3 log report generation.</p> <p>Enter OFF to turn off individual line-based control for ABN3 log report generation.</p>
ABN4		ON or OFF	<p>Abnormality 4. Status of line-based control of generation of ABN4 log report indicating: Frames received with an information field that is not permitted or a supervisory or unnumbered frame with incorrect length.</p> <p>Enter ON to turn on individual line-based control for ABN4 log report generation.</p> <p>Enter OFF to turn off individual line-based control for ABN4 log report generation.</p>
ABN5		ON or OFF	<p>Abnormality 5. Status of line-based control of generation of ABN5 log report indicating: Frame received with an invalid receive sequence number.</p> <p>Enter ON to turn on individual line-based control for ABN5 log report generation.</p> <p>Enter OFF to turn off individual line-based control for ABN5 log report generation.</p>
ABN6		ON or OFF	<p>Abnormality 6. Status of line-based control of generation of ABN6 log report indicating: Frames received with an information field that exceeds the maximum established length.</p> <p>Enter ON to turn on individual line-based control for ABN6 log report generation.</p> <p>Enter OFF to turn off individual line-based control for ABN6 log report generation.</p>

L2ABNLOG (continued)

(Sheet 5 of 6)

Field	Subfield	Entry	Explanation and action
ABN7		ON or OFF	<p>Abnormality 7. Status of line-based control of generation of ABN7 log report indicating: Unexpected frames received.</p> <p>Enter ON to turn on individual line-based control for ABN7 log report generation.</p> <p>Enter OFF to turn off individual line-based control for ABN7 log report generation.</p>
ABN8		ON or OFF	<p>Abnormality 8. Status of line-based control of generation of ABN8 log report indicating: Frame Reject Frame (FRMR) received.</p> <p>Enter ON to turn on individual line-based control for ABN8 log report generation.</p> <p>Enter OFF to turn off individual line-based control for ABN8 log report generation.</p>
ABN9		ON or OFF	<p>Abnormality 9. Status of line-based control of generation of ABN9 log report indicating: Proper response not received to establish reset the link after N200 SABME frame was sent.</p> <p>Enter ON to turn on individual line-based control for ABN9 log report generation.</p> <p>Enter OFF to turn off individual line-based control for ABN9 log report generation.</p>
ABN10		ON or OFF	<p>Abnormality 10. Status of line-based control of generation of ABN10 log report indicating: Invalid frames received other than those containing frame check sequence (FCS) errors as defined by subsection 3.6 of technical standard TR-TSY-000821.</p> <p>Enter ON to turn on individual line-based control for ABN10 log report generation.</p> <p>Enter OFF to turn off individual line-based control for ABN10 log report generation.</p>

L2ABNLOG (continued)

(Sheet 6 of 6)

Field	Subfield	Entry	Explanation and action
LAPD16		ON or OFF	<p>Link access procedure on the D-channel for service access point identifier 16 frames (LAPD16). Report generation status for LAPD16 log reports.</p> <p>Enter ON to turn on the generation of LAPD16 log reports.</p> <p>Enter OFF to turn off the generation of LAPD16 log reports.</p>
LAPB		ON or OFF	<p>Link access procedure balanced (LAPB). Report generation status for LAPB log reports.</p> <p>Enter ON to turn on the generation of LAPB log reports.</p> <p>Enter OFF to turn off the generation of LAPB log reports.</p>
SDT		ON or OFF	<p>Service Disruption Threshold (SDT). Status of line-based control of generation of log report that indicates: Service Disruption Exceeded.</p> <p>Enter ON to turn on line-based control for service disruption threshold - limit exceeded.</p> <p>Enter OFF to turn off line-based control for service disruption threshold - limit exceeded.</p>

Datafill example

The following example shows sample datafill for table L2ABNLOG.

L2ABNLOG (end)

MAP display example for table L2ABNLOG

HOST	LEN	OVR	LAPD	TAA1	TAA2	TAA3	TAA4	TAA5	TAA6		
(02	1	04	02)	OFF	ON	ON	OFF	ON	ON	ON	ON
TAA7	ABN1	ABN2	ABN3	ABN4	ABN5	ABN6	ABN7	ABN8	ABN9	ABN10	
OFF	ON	ON	ON	OFF	OFF	ON	ON	ON	ON	ON	
LAPD16	LAPB	SDT									
OFF	OFF	ON									

Table history

NA011

Field SDT introduced.

NA010

Feature AF7446, L2/L3 PKT Abnormality Counts and Logs - CM, created fields LAPD16 and LAPB.

NA008

Table was introduced.

Supplementary information

None

L3ABNLOG

Table name

Layer 3 Abnormality Log Control

Functional description

Table L3ABNLOG stores the reporting status for layer 3 controllable log reports for individual ISDN lines. Entries appear in this table only if they override the office-wide default status set for these log reports. The office-wide status for layer 3 abnormality log reports is set in office parameters in table ISDNVAR (Integrated Services Digital Network Variable).

Entries in this table are made either by the table editor or the MAP (maintenance and administration position) level command L3LOGCTL. The L3LOGCTL command is a non-menu command at the LTPISDN MAP level. This command is used to set the layer 3 abnormality log report status in table L3ABNLOG for a posted ISDN line.

Table L3ABNLOG is dynamically updated to reflect changes made in the status of log reports for individual ISDN lines resulting from the use of the L3LOGCTL command.

Datafill sequence and implications

Table LNINV must be datafilled before table L3ABNLOG.

There is no requirement to datafill other tables prior to table L3ABNLOG.

Table size

0 to 65 520 tuples

L3ABNLOG (continued)**Datafill**

The following table lists datafill for table L3ABNLOG.

(Sheet 1 of 6)

Field	Subfield	Entry	Explanation and action
LEN		see subfields	<p>Line equipment number (LEN). This field defines the physical location of the equipment that is connected to a specific telephone line.</p> <p>Because field LEN is common to more than 60 tables, it is documented in a single section to avoid unnecessary duplication. Refer to section "Common entry field LEN" for a complete description of field LEN and associated subfields.</p> <p>Field LEN consists of subfields SITE, FRAME, UNIT, DRAWER or LSG, SHELF, SLOT, and CIRCUIT.</p>
OVR		ON or OFF	<p>Override. Status of the override value for line-based control of Q931 log report generation</p> <p>Enter ON to have the individual line-based control setting for Q931 log report generation override the office-wide setting.</p> <p>Enter OFF to turn off the individual line-based override control of Q931 log report generation.</p>
Q931		ON or OFF	<p>Q931. Report generation status for Q931 log report generation.</p> <p>Enter ON to turn on the generation of Q931 log reports.</p> <p>Enter OFF to turn off the generation of Q931 log reports.</p>
ABN1		ON or OFF	<p>Abnormality 1. Status of line-based control of generation of ABN1 log report indicating: DISCONNECT message received.</p> <p>Enter ON to turn on individual line-based control for ABN1 log report generation.</p> <p>Enter OFF to turn off individual line-based generation of ABN1 log report generation.</p>

L3ABNLOG (continued)

(Sheet 2 of 6)

Field	Subfield	Entry	Explanation and action
ABN2		ON or OFF	<p>Abnormality 2. Status of line-based control of generation of ABN2 log report indicating: DISCONNECT message transmitted.</p> <p>Enter ON to turn on individual line-based control for ABN2 log report generation.</p> <p>Enter OFF to turn off individual line-based generation of ABN2 log report generation.</p>
ABN3		ON or OFF	<p>Abnormality 3. Status of line-based control of generation of ABN3 log report indicating: RELEASE message received.</p> <p>Enter ON to turn on individual line-based control for ABN3 log report generation.</p> <p>Enter OFF to turn off individual line-based generation of ABN3 log report generation.</p>
ABN4		ON or OFF	<p>Abnormality 4. Status of line-based control of generation of ABN4 log report indicating: RELEASE message transmitted.</p> <p>Enter ON to turn on individual line-based control for ABN4 log report generation.</p> <p>Enter OFF to turn off individual line-based generation of ABN4 log report generation.</p>
ABN5		ON or OFF	<p>Abnormality 5. Status of line-based control of generation of ABN5 log report indicating: RELEASE COMPLETE message received.</p> <p>Enter ON to turn on individual line-based control for ABN5 log report generation.</p> <p>Enter OFF to turn off individual line-based generation of ABN5 log report generation.</p>
ABN6		ON or OFF	<p>Abnormality 6. Status of line-based control of generation of ABN6 log report indicating: RELEASE COMPLETE message transmitted.</p> <p>Enter ON to turn on individual line-based control for ABN6 log report generation.</p> <p>Enter OFF to turn off individual line-based generation of ABN6 log report generation.</p>

L3ABNLOG (continued)

(Sheet 3 of 6)

Field	Subfield	Entry	Explanation and action
ABN7		ON or OFF	<p>Abnormality 7. Status of line-based control of generation of ABN7 log report indicating: STATUS message received.</p> <p>Enter ON to turn on individual line-based control for ABN7 log report generation.</p> <p>Enter OFF to turn off individual line-based generation of ABN7 log report generation.</p>
ABN8		ON or OFF	<p>Abnormality 8. Status of line-based control of generation of ABN8 log report indicating: STATUS message transmitted.</p> <p>Enter ON to turn on individual line-based control for ABN8 log report generation.</p> <p>Enter OFF to turn off individual line-based generation of ABN8 log report generation.</p>
ABN9		ON or OFF	<p>Abnormality 9. Status of line-based control of generation of ABN9 log report indicating: PROGRESS message transmitted.</p> <p>Enter ON to turn on individual line-based control for ABN9 log report generation.</p> <p>Enter OFF to turn off individual line-based generation of ABN9 log report generation.</p>
ABN10		ON or OFF	<p>Abnormality 10. Status of line-based control of generation of ABN10 log report indicating: Message received less than minimum length.</p> <p>Enter ON to turn on individual line-based control for ABN10 log report generation.</p> <p>Enter OFF to turn off individual line-based generation of ABN10 log report generation.</p>
ABN11		ON or OFF	<p>Abnormality 11. Status of line-based control of generation of ABN11 log report indicating: Message received with invalid protocol discriminator information.</p> <p>Enter ON to turn on individual line-based control for ABN11 log report generation.</p> <p>Enter OFF to turn off individual line-based generation of ABN11 log report generation.</p>

L3ABNLOG (continued)

(Sheet 4 of 6)

Field	Subfield	Entry	Explanation and action
ABN12		ON or OFF	<p>Abnormality 12. Status of line-based control of generation of ABN12 log report indicating: Message received with an invalid call reference.</p> <p>Enter ON to turn on individual line-based control for ABN12 log report generation.</p> <p>Enter OFF to turn off individual line-based generation of ABN12 log report generation.</p>
ABN13		ON or OFF	<p>Abnormality 13. Status of line-based control of generation of ABN13 log report indicating: SETUP message received with call reference flag incorrectly set to 1.</p> <p>Enter ON to turn on individual line-based control for ABN13 log report generation.</p> <p>Enter OFF to turn off individual line-based generation of ABN13 log report generation.</p>
ABN14		ON or OFF	<p>Abnormality 14. Status of line-based control of generation of ABN14 log report indicating: RESTART INDICATION transmitted.</p> <p>Enter ON to turn on individual line-based control for ABN14 log report generation.</p> <p>Enter OFF to turn off individual line-based generation of ABN14 log report generation.</p>
ABN15		ON or OFF	<p>Abnormality 15. Status of line-based control of generation of ABN15 log report indicating: RESTART REQUEST received.</p> <p>Enter ON to turn on individual line-based control for ABN15 log report generation.</p> <p>Enter OFF to turn off individual line-based generation of ABN15 log report generation.</p>
ABN16		ON or OFF	<p>Abnormality 16. Status of line-based control of generation of ABN16 log report indicating: RESET INDICATION transmitted.</p> <p>Enter ON to turn on individual line-based control for ABN16 log report generation.</p> <p>Enter OFF to turn off individual line-based generation of ABN16 log report generation.</p>

L3ABNLOG (continued)

(Sheet 5 of 6)

Field	Subfield	Entry	Explanation and action
ABN17		ON or OFF	<p>Abnormality 17. Status of line-based control of generation of ABN17 log report indicating: RESET REQUEST received.</p> <p>Enter ON to turn on individual line-based control for ABN17 log report generation.</p> <p>Enter OFF to turn off individual line-based generation of ABN17 log report generation.</p>
ABN18		ON or OFF	<p>Abnormality 18. Status of line-based control of generation of ABN18 log report indicating: CLEAR INDICATION transmitted.</p> <p>Enter ON to turn on individual line-based control for ABN18 log report generation.</p> <p>Enter OFF to turn off individual line-based generation of ABN18 log report generation.</p>
ABN19		ON or OFF	<p>Abnormality 19. Status of line-based control of generation of ABN19 log report indicating: CLEAR REQUEST received.</p> <p>Enter ON to turn on individual line-based control for ABN19 log report generation.</p> <p>Enter OFF to turn off individual line-based generation of ABN19 log report generation.</p>
ABN20		ON or OFF	<p>Abnormality 20. Status of line-based control of generation of ABN20 log report indicating: DIAGNOSTIC transmitted.</p> <p>Enter ON to turn on individual line-based control for ABN20 log report generation.</p> <p>Enter OFF to turn off individual line-based generation of ABN20 log report generation.</p>
ABN21		ON or OFF	<p>Abnormality 21. Status of line-based control of generation of ABN21 log report indicating: DIAGNOSTIC received.</p> <p>Enter ON to turn on individual line-based control for ABN21 log report generation.</p> <p>Enter OFF to turn off individual line-based generation of ABN21 log report generation.</p>

L3ABNLOG (continued)

(Sheet 6 of 6)

Field	Subfield	Entry	Explanation and action
PKT		ON or OFF	<p>Protocol abnormalities for X.25 packet (PKT) data. Report generation status for PKT data log reports.</p> <p>Enter ON to turn on the generation of PKT data log reports.</p> <p>Enter OFF to turn off the generation of PKT data log reports.</p>
L3SD		ON or OFF	<p>Layer 3 service disruption. Status of line-based control of generation of the L3SD log that indicates: Service Disruption Exceeded.</p> <p>Enter ON to turn on the generation of L3SD data log reports for each line. ON is the default value.</p> <p>Enter OFF to disable the generation of L3SD data log reports for each line.</p>

Datafill example

The following example shows sample datafill for table L3ABNLOG.

MAP display example for table L3ABNLOG

LEN	OVR	Q931	ABN1	ABN2	ABN3	ABN4	ABN5	ABN6	ABN7
00 0 01 20	OFF	ON	ON	ON	OFF	ON	ON	ON	ON
ABN8	ABN9	ABN10	ABN11	ABN12	ABN13	ABN14	ABN15	ABN16	
ON	OFF	OFF	ON	ON	ON	ON	ON	ON	
ABN17	ABN18	ABN19	ABN20	ABN21	PKT	L3SD			
ON	ON	ON	ON	ON	OFF	ON			

Table history**NA012**

Feature 59006381, Layer 3 Service Disruption, introduced the L3SD field.

L3ABNLOG (end)

NA010

Feature AF7446, L2/L3 PKT Abnormality Counts and Logs - CM, introduced the following fields:

- PKT
- ABN14
- ABN15
- ABN16
- ABN17
- ABN18
- ABN19
- ABN20
- ABN21

NA008

Table was introduced.

LAC**Table name**

Location Area Code Table

Functional description

Table location area code (LAC) identifies the route sets of the cells in a location area. The route sets identify the signaling path to a minimum of one base station controllers (BSC).

Datafill sequence and meaning

Enter data into table C7RTESET before you enter data into table LAC.

- Table LAC interacts with the following office parameters:
- MCC in table OFCVAR
- MNC in table OFCVAR

Table size

0 to 1024 tuples

The number of cells for each mobile services switching center (MSC) determine the number of tuples.

Datafill

Datafill for table LAC appears in the following table.

Field descriptions (Sheet 1 of 2)

Field	Subfield or refinement	Entry	Description and action
LACKEY		refer to subfields	<i>Location area code key.</i> This field is the key to the table. This field contains subfields LAC and CELLID.
	LAC	1 to 65 535	<i>Location area code.</i> Enter the LAC. The LAC identifies the location area in which the mobile roams a specified time. The value 0 is a reserved value. Do not enter the value 0.

LAC (end)

Field descriptions (Sheet 2 of 2)

Field	Subfield or refinement	Entry	Description and action
	CELLID	0 to 65 535	<i>Cell identifier.</i> Enter the cell identity that identifies a cell in a location area.
RTSTNAME		alphanumeric (1 to 16 characters)	Route set name. Enter the route set to the BSC that controls a specified cell. The entry must be present in table C7RTESET.

Datavill example

Sample datavill for table LAC appears in the following example.

MAP example for table LAC

LACKEY	RTSTNAME
2	11 C7RTESET1

Table history

BCS36

Table LAC was introduced in BCS36.

Additional information

This section provides information on dump and restore procedures for table LAC.

Dump and restore

Normal dump and restore procedures apply.

LAMABC

Table name

Local Automatic Message Accounting Billing Code Table

Functional description

Table LAMABC is required for all local or combined local/toll switching units configured for local automatic message accounting (LAMA) or LAMA and centralized automatic message accounting (CAMA).

Note: Table LAMABC has no effect on call processing in offices without a CAMA position. If the call is at the CAMA position, the call is considered an operator number identification (ONI) or automatic number identification (ANI) fail.

Table LAMABC lists all the subscribers' office codes, special billing, and wide area telephone service (WATS) originating codes that are allowed to originate direct distance dialing (DDD) calls.

The NXX entered from a CAMA position is used to index into table LAMABC. If the NXX is found and the ACTIVE field is set to Y, the call is allowed to proceed. If the NXX is not found or the ACTIVE field is set to N, the call is sent to treatment.

The code or codes can be temporarily suspended from being a LAMA billing code by means of an active or inactive flag.

Datafill sequence and implications

There is no requirement to datafill other tables prior to table LAMABC.

Table size

The maximum number of tuples for table LAMABC is limited only by the amount of data store available.

LAMABC (end)

Datavfill

The following table lists datavfill for table LAMABC.

Field descriptions

Field	Subfield or refinement	Entry	Explanation and action
KEY		numeric (3 digits)	Key code Enter the subscribers' office codes, special billing, and WATS originating codes that are allowed to originate DDD calls.
ACTIVE		Y or N	Active Enter Y if the code is an active LAMA bill code. Enter N if the code is an inactive LAMA bill code.

Datavfill example

The following example shows sample datavfill for table LAMABC.

MAP display example for table LAMABC

KEY	ACTIVE
621	Y

Table history

NA004

A note was added to describe that table LAMABC has no effect on calls in offices without a CAMA position.

LATANAME

Table name

Equal Access Local Access and Transport Area Name

Overview

The equal access (EA) tables are datafilled in the following order:

- CLLI
- OCCNAME
- LATANAME
- TRKGRP
- TRKSGRP
- OFRT
- OCCINFO
- LINEATTR
- LATA XLA
- OCCRDIG
- STDPRTCT
- LENFEAT
- AMAOPTS
- VIRTGRPS
- IBNXLA

Equal access is implemented in feature packages NTX186AA (Equal Access End Office) and NTX386AA (Access Tandem Switch).

Functional description

Table LATANAME lists all OTC-defined names of the LATA served by the switch. This table must be datafilled before any tables (LATA XLA and LINEATTR) that require a LATANAME entry.

Note 1: Local calling area screening overrides LATA screening when the TOPS trunk group uses OSS signaling or BELL signaling.

Note 2: For the DMS-100 Wireless switch, do *not* use the same LATA name for wireless and wireline end users. One name must specify the LATA for

LATANAME (continued)

wireline end users; another name must specify the LATA for wireless end users.

Datafill sequence and implications

The following tables must be datafilled after table LATANAME:

- LATAXLA
- LINEATTR
- SVCDATA
- TOPEATRK
- TRKLATA

Table size

Table LATANAME has a maximum size of 31 tuples, with one LATA name for each tuple. A null LATA (NILLATA) is added internally as the first LATA in the list. This entry does not appear in the table printout.

Datafill

The following table lists datafill for table LATANAME.

TableField descriptions

Field	Subfield or refinement	Entry	Explanation and action
LATANAME		alphanumeric (up to 16 characters)	<i>LATA name</i> List all the LATA names used in this office.
LATANUM		000 to 999	<i>LATA number</i> Enter the LATA number associated with the LATANAME. Entries outside this range are invalid.

Datafill example

The following example shows sample datafill for table LATANAME.

LATANAME (end)**MAP display example for table LATANAME**

LATANAM	LATANUM
NILLATA	DFD

The following example shows sample datafill for table LATANAME for EA on the DMS-100 Wireless switch. In this example, LATA name L803 represents LATA number 803 for wireline end users. LATA name ML803 represents LATA number 803 for wireless end users on the DMS-100 Wireless switch.

MAP display example for table LATANAME

LATANAM	LATANUM
L803	803
L804	804
L805	805
L808	808
ML803	803
ML804	804

Table history

NA008

Feature Equal Access for DMS-100 Wireless introduced a requirement to separate wireline and wireless names on the DMS-100 Wireless switch for a given LATA in release LWW00805 (NA008).

LATAXLA

Table name

Equal Access Local Access and Transport Area Translation

Functional description

Table LATAXLA defines the attributes of domestic calls such as inter-LATA or intra-LATA, and interstate or intrastate. The attributes of the calls are then compared with the attributes of the carriers in table OCCINFO to determine which carriers should handle the calls.

For related information, refer to table LATANAME.

Wireless call processing code is incompatible with call types PRIV and CORRIDOR. Therefore, do *not* datafill any EATYPE as PRIV or CORRIDOR for wireless calls on the DMS-100 Wireless switch.

DMSMON command DBLOCKS

The Batch Change Supplement Monitoring system (DMSMON) command DBLOCKS provides the number of digit blocks used, the number of digit blocks allocated, the percentage used, and the percentage available for each of the following tables:

- CLSVSCRC.CLSVSCR
- CODEBLK
- HNPACONT.HNPACODE
- IBNXLA
- LATAXLA
- SPLDNID
- STDPRTCT.STDPRT

Datafill sequence and implications

Table LATANAME must be datafilled before table LATAXLA.

Table size

30 tuples

LATAXLA (continued)**Datafill**

The following table lists datafill for table LATA

XLA.
Field descriptions

Field	Subfield or refinement	Entry	Explanation and action
LATACODE		see subfields	LATA code. This field is the key into table LATAXLA and consists of subfields LATANM and DIGITS.
	LATANM	alphanumeric (up to 16 characters)	Calling LATA name. Enter the LATA name as defined in table LATANAME.
	DIGITS	numeric (up to 6 digits)	Dialed digits. Enter the digits (NPA or NPANXX) dialed by the originator of the call. Enter only those digits for which one of the following sets of attributes applies: <ul style="list-style-type: none"> • Intra-LATA, interstate • Inter-LATA, interstate • Inter-LATA, intrastate <p>Note: These attributes are defined in the LATA and STATE fields.</p> <p>Codes that are inter-LATA and intra-NPA must be input using NPANXX.</p> <p>The DMS switch assumes that any numbering plan area (NPA) or NPANXX code not defined in the DIGITS field has the attributes intra-LATA, intrastate (default entry).</p> <p>The DIGITS field allows the DMS switch to distinguish between NPAs and ambiguous codes while determining the call attributes for carrier screening.</p> <p>Note: If more than 6 digits are entered, overlap carrier selection will not be permitted and connection will not complete.</p>
LATA		INTER or INTRA	LATA call attribute. Enter INTER or INTRA to define an NPA or NPANXX code as either inter-LATA or intra-LATA.

LATA XLA (continued)

Field descriptions

Field	Subfield or refinement	Entry	Explanation and action
STATE		INTER or INTRA	State call attribute. Enter INTER or INTRA to define an NPA or NPANXX code as either interstate or intrastate.
EATYPE		STD, CORRIDOR, PRIVILEGE, or NON_EA	<p>Equal access call type. Enter the appropriate EA call type to identify the call as standard (STD), CORRIDOR, PRIVILEGE, or NON_EA.</p> <p>Only inter-LATA calls can be identified as CORRIDOR. Only intra-LATA calls can be identified as NON_EA.</p> <p>Inter-LATA calls and intra-LATA calls can be identified as PRIVILEGE.</p> <p>Note: Wireless calls cannot be defined with PRIV or CORRIDOR call type. Only call types STD and NON_EA can be used for wireless calls.</p>

Datafill example

The following example shows sample datafill for table LATA XLA.

MAP display example for table LATA XLA

	LATACODE	LATA	STATE	EATYPE
LATA1	212220	INTRA	INTER	STD
LATA1	416589	INTER	INTER	STD
LATA2	212220	INTRA	INTER	NON_EA
LATA2	4165898	INTER	INTER	PRIVILEGE
LATA2	518	INTER	INTER	CORRIDOR
LATA3	416590	INTRA	INTRA	PRIVILEGE

The following example shows sample datafill for table LATA XLA for EA calls on the DMS-100 Wireless switch.

LATAXLA (end)**MAP display example for table LATAXLA on the DMS-100 Wireless switch**

LATACODE	LATA	STATE	EATYPE
ML803 999	INTRA	INTRA	NON_EA
ML803 619	INTRA	INTRA	NON_EA
L803 704	INTER	INTER	STD
ML803 704	INTER	INTER	STD
L803 703	INTER	INTRA	CORRIDOR
ML803 703	INTER	INTRA	STD

Table history**NA008**

Table LATAXLA, DIGITS Entry has been updated to only 6 digits. This update was made in response to a Problem Resolution System (PRS) request for the NA008 timeframe.

The following enhancements were added in release LWW00805 (NA008) for the DMS-100 Wireless switch.

- Feature Equal Access for DMS-100 Wireless supports STD and NON_EA call types for wireless calls.
- Added datafill example for EA calls.

NA006

The Intra-LATA PIC Enhancement feature allows the datafill combination of INTRALATA PRIVILEGE and allows the completion of INTRALATA PRIVILEGE calls.

LCA6SCRN

Table name

Local Calling Area Six Screen

Functional description

Table LCA6SCRN is one of three tables that provide table control for six-digit screening. Table LCA6SCRN performs the LCA six-digit screening based on the LCANAME, NPA, and OFC code provided. These three values combined serve as the index to the table.

Datafill sequence and implications

Complete table LCAINFO before table LCA6SCRN.

Table size

Unlimited

Datafill

The following table lists datafill for Table LCA6SCRN.

1Field descriptions

Field	Subfield or refinement	Entry	Explanation and action
LCANAME		5-8 characters	Local calling area name. Enter an LCANAME defined in table LCAINFO. This field must be at least five characters. If you attempt to enter an LCANAME less than five characters, the switch displays the error message "LCANAME must be greater than 4 characters."
NPA		Three_digit_code (200 to 999)	Numbering plan area. Enter a three-digit code. For seven-digit dialed calls, the NPA comes from table FNPA7DIG. If there is no corresponding tuple in FNPA7DIG, the home NPA becomes the default.
FROMOFC		Three_digit_code (200 to 999)	From office code. This field defines the beginning office code for the range of office codes designated as local. If the range of office codes you entered spans the entire numbering plan area, enter a value of 200. Office codes 000-199 are restricted.

LCA6SCRN (continued)**1Field descriptions**

Field	Subfield or refinement	Entry	Explanation and action
TOOFC		Three_digit_code (200 to 999)	To office code. Enter the three-digit code. This field defines the ending code for the range of office codes. If the range of office-code entries spans the entire NPA, enter a value of 999 in this field. You can enter N11 codes, if necessary. For these codes, the switch prefixes the home NPA on the N11 code. The TOCOFC field cannot be less than the FROMOFC field.
TENDLOC		Y, N	Ten-digit local. Enter Y or N. If you set this field to Y, 10-digit or prefix+10-digit dialed calls are local. If you set this field to N, 10-digit or prefix+10-digit dialed calls are toll. Complete this field on an OFC range basis. If a specific OFC code requires a TENDLOC value different from the OFC range, break out the required OFC code. The TENDLOC field is valid only on 10-digit or prefix+10-digit dialed calls. This field is not applicable to a 7-digit or prefix+7-digit dialed calls.

Datafill example

The following example shows sample datafill for table LCA6SCRN.

LCA6SCRN (end)

MAP display example for table LCA6SCRN

LCANAME	NPA	FROM_OFC	TO_OFC	TEND_LOC
LOCL0001	704	471	471	Y
LOCL0001	704	479	479	Y
LOCL0001	704	682	684	Y
LOCL0001	704	990	991	Y
LOCL0001	704	992	992	N
LOCL0001	919	471	471	Y
LOCL0001	919	479	479	Y
LOCL0001	919	682	684	Y
LOCL0001	919	990	991	Y
LOCL0001	919	992	992	N

Table history NA010

Introduced table LCA6SCRN.

Supplementary information

The following limitations and restrictions table LCA6SCRN:

- You cannot enter a TOOFC that is less than the FROMOFC. The switch rejects any attempt to make such an entry.
- You cannot add a new tuple with a FROMOFC and TOOFC range that is already in the table. The switch rejects any attempt to add such an entry.
- You cannot use the CHANGE command to increase the TOOFC range of a tuple. The switch rejects any attempt to make such a change.
- You can use the CHANGE command to change the TENDLOC field only. The switch rejects any attempt to change a tuple in table LCA6SCRN without changing field TENDLOC.
- You cannot use the DELETE command to delete a range of OFCs. You must delete OFCs within a range one at a time. When you perform a tuple DELETE, the switch deletes the OFC specified as the FROMOFC.

LCAINFO

Table name

Local Calling Area Information

Functional description

Table LCAINFO is one of three tables that provide table control for six-digit screening. Table LCAINFO is the table that contains the local calling area (LCA) information for six-digit screening. The table provides an LCA index based on the LCANAME only, and eliminates a serving translations scheme (STS) as an index value. This elimination makes LCA screening functionality independent of the STS key. Table LCAINFO optionally links each LCANAME with a unique, customer-defined screening plan in the dial plan and call type screening table (DPCTSCRN).

Datafill sequence and implications

You must enter data in table DPCTSCRN before table LCAINFO.

You must define screen plan names in table DPCTSCRN before you enter them in field DPCTNAME in table LCAINFO. The exception to this rule is the screen plan name NONE, which does not appear in table DPCTSCRN.

Table size

0 to 3072 tuples

You do not need a CC-restart type to increase the size.

LCAINFO (continued)**Datafill**

The following table lists entries for table LCAINFO.

Field descriptions

Field	Subfield or refinement	Entry	Explanation and action
LCANAME		5 to 8 characters	Local calling area name. This field is the key index to the table. Enter a unique LCA name for six-digit screening. The LCANAME must be at least five characters. If you attempt to enter an LCANAME less than 5 characters, the switch displays the error message "LCANAME must be greater than 4 characters." LCANAMES defined in table LCASCRCN are not allowed as datafill in table LCAINFO.
PFXSELEC		OPTL, MAND, MNDT, OWAT	Prefix selector. Enter one of the four values. This field functions exactly like the PFXSELEC in table LCASCRCN. The values in this field are an index into table PFXTREAT.
LOCALOVR		Y OR N	Local override. Enter Y or N. The Equal Access Call Attributes Control feature uses this field. The control feature blocks local calls for which the subscriber dials a carrier access code by accident. This action means the carrier network does not have to resend local calls to resolve charges between the local exchange carrier and interexchange carrier. The LOCALOVR field determines when the switch should block misdialed calls. The default is Y, which indicates the local nature of the call takes precedence.

LCAINFO (continued)**Field descriptions**

Field	Subfield or refinement	Entry	Explanation and action
DPCTNAME		1 to 16 characters	Dial plan and call type screening plan name. Enter the same DPCTNAME name entered in table DPCTSCRN or "NONE."
STRIPNPA		Y OR N	<p>This boolean field is used by advanced intelligent network (AIN) response translation to determine whether the numbering plan area (NPA) must be stripped from the 10-digit number returned by the service control point (SCP). The AIN Response Translation Simplification feature removes the NPA of the called number if all of the following conditions are true:</p> <ul style="list-style-type: none"> • software optionality control (SOC) AIN00026 is 'ON' • the call is local • option PFXFOR10 is TRUE in Table LCASCRN or Table LCAINF • the NPA of the SCP number is the same as the originator's NPA <p>In areas where 1 + 10-digit dialing is mandatory for toll calls and local calls, the removal of NPA results in a 7-digit number, and the call is sent to treatment.</p> <p>Enter Y to strip the NPA from the called number.</p> <p>Otherwise, enter N.</p>

Datafill example

The following example shows sample datafill for Table LCAINFO.

LCAINFO (end)

MAP display example for Table LCAINFO

LCANAME	PFXSELECT	LOCALOVR	DPCTNAME	STRIPNPA
LCA00001	OPTL	Y	NONE	N
LSP00002	MAND	N	NONE	Y
LOCL1001	OPTL	Y	PFXFOR10	N
LOCL2001	MNDT	N	LOC2001	Y
LOCL1002	OWAT	Y	SOCLOC0005	N

Table history

NA015

Added the boolean field STRIPNPA in support of the option to strip the NPA from the 10-digit number returned by the SCP.

NA010

Introduced table LCAINFO.

Supplementary information

This table has a tuple threshold limit of 75 percent. If you add a tuple that reaches this limit, you get the warning "Table threshold of 75 percent exceeded." You can still add this tuple, but the switch displays the warning. Additionally, the switch generates a DFIL800 log report indicating you have exceeded the threshold.

LCASCRCN

Table name

Local Calling Area Screening Control Table

Functional description

Local calling area screening subtables are required in a toll or local/toll switching unit for incoming or two-way Traffic Operator Position System (TOPS), Centralized Automatic Message Accounting (CAMA), or AMR5 trunk groups.

For an incoming or two-way TOPS trunk group, the LCASCRCN.LCASCRCN subtable name for operator number identification (ONI) calls is stored in the table TRKGRP, and for automatic number identification (ANI) calls is stored against the NNX code of the originating number in the TOPS table BILLCODE.

For an incoming or two-way CAMA or AMR5 trunk group, the LCASCRCN.LCASCRCN subtable name for ANI calls is stored against the NNX code of the originating number in table BILLCODE, and for ONI calls the LCASCRCN.LCASCRCN subtable name is stored in the entry that has 000 for the NNX code in table BILLCODE.

If a toll switch is equipped with TOPS, local calling area subtables are required with the semi automatic zenith feature and are stored in table CLGSET.

LCASCRCN.LCASCRCN subtables are only required if the local originating office is incapable of screening local codes, or if the operating company (OC) policy is to perform local calling area screening in the toll switch in preference to the local switch.

LCASCRCN.LCASCRCN subtables are required in a local switching unit for line attributes, if the associated toll switching unit is incapable of local calling area screening, or if the OC policy is to perform local calling area screening in the local switch in preference to the toll switch.

Six-digit local calling area screening

If the switching unit is arranged for cross boundary ten-digit local dialing, then six-digit local calling area screening can be provided.

This is achieved by providing one local calling area screening table for each of the numbering plan area (NPA) codes, home and adjacent. The same name must be assigned to each of the local calling area screening tables assigned to the home and adjacent NPAs. For example, if 613 is the home NPA, 819 is the

LCASCRCN (continued)

adjacent NPA, and OTWA is the local calling area table name, then the tables are defined as 613 OTWA and 819 OTWA, respectively.

In the local calling area table for an adjacent NPA, the home and any other adjacent NPA code is specified as local. For example, in table 819 OTWA, code 613 is defined as local.

If a call is ten digits, translation is routed to the second local calling area table. The second table has the same name as the first but is prefixed by the ABC digits dialed. For example, if the first local calling area screening table is 613 OTWA and the digits dialed are 819, then translation is routed to the 819 OTWA local calling area table. The index into the second local calling area screening table is the DEF digits dialed.

The adjacent NPA code must be entered in table HNPACONT as a home NPA.

The HNPACONT.HNPACODE and HNPACONT.RTEREF subtables for the adjacent NPA code are not required.

Partitioned editor feature

In DMS offices with the Partitioned Table Editor (PTE) feature, the OC can authorize a non-operating company to use PTE to edit specified tuples of table LCASCRCN. This also enables the non-operating company user to edit all the tuples of the subtables LCASCRCN.LCASCRCR at the authorized positions of table LCASCRCN.

In order to access a tuple in table LCASCRCN, both the serving translation scheme (STS) and the LCANAME must be owned by the user.

The following table shows example datafill for table DATAOWNR.

Example datafill for table DATAOWNR

Key	Owner
STS 001	CARLING
LCANAME OTWA	CARLING

In this table, the non-operating company, CARLING has access to the tuple that has a key 001 OTWA. No other tuple can be viewed by user CARLING unless tuples owned by other users are classified as public in table OWNER.

The PTE feature allows the OC to limit edit access to a table for a specified user to read only, change only, or add and delete tuples. It is recommended that

LCASCRCN (continued)

PTE access for non-operating company users to table LCASCRCN be limited to read and change only.

Non-operating company users can be authorized to add and delete tuples in subtable LCASCRCN.LCASCRC.

Refer to the description of table OWNER for information on how to allow user access to Customer Data Change feature group tables.

Table LCASCRCN lists the name of each of the local calling area screening subtables LCASCRCN.LCASCRC and the serving area NPA to which it belongs.

Each of the LCASCRCN.LCASCRC subtables is assigned a prefix selector. The prefix selector is required to pick the appropriate entry in table PFXTREAT.

The prefix selector allows the switching unit to accommodate both mandatory and optional dialing of the prefix digits.

Optional dialing of the prefix digit 1 is required with ambiguous codes if the presence or absence of prefix digit 1 defines whether the number of digits expected is ten or seven.

The name of the prefix selector can be mandatory (MAND) or optional (OPTL) or one of 14 four-character names that can be defined by the OC.

Note:

Datafill sequence and implications

Table SNPANAME must be datafilled before table LCASCRCN.

Table size

0 to 1000 tuples

LCASCRCN (continued)**Datafill**

The following table lists datafill for table LCASCRCN.

Field descriptions (Sheet 1 of 4)

Field	Subfield or refinement	Entry	Explanation and action
NPALOCNM		see subfields	NPA local calling area subtable name. This field consists of subfields STS and LCANAME.
	STS	numeric	Serving translation scheme. Enter a serving NPA code for the trunk group.
	LCANAME	alphanumeric (up to 4 characters)	Local calling area name. Enter the name of subtable LCASCRCN.LCASCRCR. Entry NLCA is not allowed in table LCASCRCN because it is reserved by DMS software to mean no local calling area screening. Note: Accidental addition of NLCA in table LCASCRCN followed by deletion removes NLCA from tables such as LINEATTR field LCANAME, making the specification of no local calling area screening impossible.
LCASCRCR		blank	Local calling area screening. This is the table ownership field. It does not accept any input or output, and is not shown on the form. Only the used space field is displayed.
	PFSELEC	Four-character vector of the two predefined prefix selectors mandatory (MAND) or optional (OPTL), or a maximum of 14 customer-definable prefix selectors	Prefix selector. Enter the prefix selector assigned to the prefix treatment.

LCASCRN (continued)**Field descriptions (Sheet 2 of 4)**

Field	Subfield or refinement	Entry	Explanation and action
PFXFOR10		Y or N	<p>Prefix for 10. This field is used to set the call screening on operator assisted (OA), direct dial (DD), and no prefix (NP) no toll calls.</p> <p>If Y is entered, all operator assisted calls will be routed as described in Table , "PFXFOR10 call screening effects on OA call types" on page -685.</p> <p>If Y is entered, all direct dial calls will be routed as described in Table , "PFXFOR10 call screening effects on DD call types" on page -686.</p> <p>If Y is entered, all no prefix calls will be routed as described in Table , "PFXFOR10 call screening effects on NP call types" on page -687.</p> <p>If N is entered no call screening will be performed.</p>

LCASRCN (continued)

Field descriptions (Sheet 3 of 4)

Field	Subfield or refinement	Entry	Explanation and action
LOCALOVR		Y or N	This field indicates that the local nature of the call shall take precedence over other aspects of the call for certain features. Currently the only feature to use this field is Equal Access call attributes control. Casually dialed local calls, that is, local calls for which the subscriber dialed the carrier access code, will be sent to treatment when LOCALOVR is YES. This will prevent casually dialed local calls from completing to the IEC network only to be sent back to the LEC to complete the call. This functionality is optional and is available as order code EQA00025

LCASCRN (continued)**Field descriptions (Sheet 4 of 4)**

Field	Subfield or refinement	Entry	Explanation and action
STRIPNPA		Y or N	<p>STRIPNPA is used by AIN response translation to determine whether the NPA must be stripped from the 10-digit number returned by the SCP. The AIN Response Translation Simplification feature removes the NPA of the called number if all of the following conditions are true:</p> <ul style="list-style-type: none"> • SOC AIN00026 is ON • the call is local • Option PFXFOR10 is TRUE in LCASCRN or LCAINF • NPA of SCP number is the same as the originator's NPA <p>Where 1 + 10-digit dialing is mandatory for toll and local calls, the removal of NPA during translation produces a 7-digit number, and the call is sent to treatment. This is an undesirable result. Therefore STRIPNPA is provided to make removal of NPA optional. When all the above conditions are true and STRIPNPA is set to N, NPA is not affected. See examples "Digit Conversion for National Numbers" and "Digit Conversion with STRIPNPA" below.</p> <p>Enter Y to strip the NPA from the called number.</p> <p>Otherwise, enter N.</p>

PFXFOR10 call screening effects on OA call types (Sheet 1 of 2)

Dialed Digits	Pre-NA006	Pre-NA006 with WIS34 patch active	NA006 with PFXFOR10 feature activated
7 digits	Complete	Complete	Complete
0+7	Complete	EMR4 Trmt	MSOA Trmt

LCASCRN (continued)**PFXFOR10 call screening effects on OA call types (Sheet 2 of 2)**

Dialed Digits	Pre-NA006	Pre-NA006 with WIS34 patch active	NA006 with PFXFOR10 feature activated
1+7	Complete	EMR4 Trmt	MSOA Trmt
10xxx+7	Complete	EMR4 Trmt	Complete
10xxx+0+7	Complete	EMR4 Trmt	MSOA Trmt
10xxx+1+7	Complete	EMR4 Trmt	MSOA Trmt
10 digits	Complete	Complete	MSOA Trmt
0+10	Complete	Complete	Complete
1+10	Complete	Complete	Complete
10xxx+10	Complete	Complete	MSOA Trmt
10xxx+0+10	Complete	Complete	Complete
10xxx+1+10	Complete	Complete	Complete
Service Codes	Complete	If code type is SCD(X), complete. Otherwise, EMR4 Trmt	If code type is SCD(X), complete. Otherwise, MSOA Trmt

PFXFOR10 call screening effects on DD call types (Sheet 1 of 2)

Dialed Digits	Pre-NA006	NA006 with PFXFOR10 feature activated
7 digits	MSCA Trmt	Complete
0+7	MSCA Trmt	MSCA Trmt
1+7	MSCA Trmt	MSCA Trmt
10xxx+7	MSCA Trmt	Complete
10xxx+0+7	MSCA Trmt	MSCA Trmt
10xxx+1+7	MSCA Trmt	MSCA Trmt
10 digits	Complete	MSLCTrmt

LCASCRN (continued)**PFXFOR10 call screening effects on DD call types (Sheet 2 of 2)**

Dialed Digits	Pre-NA006	NA006 with PFXFOR10 feature activated
0+10	Complete	Complete
1+10	Complete	Complete
10xxx+10	Complete	MSLC Trmt
10xxx+0+10	Complete	Complete
10xxx+1+10	Complete	Complete
Service Codes	Complete	Complete

PFXFOR10 call screening effects on NP call types

Dialed Digits	Pre-NA006	NA006 with PFXFOR10 feature activated
7 digits	Complete	Complete
0+7	Complete	MSCA Trmt
1+7	Complete	MSCA Trmt
10xxx+7	Complete	Complete
10xxx+0+7	Complete	MSCA Trmt
10xxx+1+7	Complete	MSCA Trmt
10 digits	MSLC Trmt	MSLCTrmt
0+10	MSLC Trmt	Complete
1+10	MSLC Trmt	Complete
10xxx+10	MSLC Trmt	MSLC Trmt
10xxx+0+10	MSLC Trmt	Complete
10xxx+1+10	MSLC Trmt	Complete
Service Codes	Complete	Complete

LCASCRN (continued)

Digit Conversion for National Numbers

Digits after Step 1 (HNPA CONT)	Local/Toll	PFXFOR10	Originator's NPA = Called NPA	Result
7D	Local	Y	Not Applicable	7D
7D	Local	N	Not Applicable	7D
7D	Toll	Y	Not Applicable	7D
7D	Toll	N	Not Applicable	1+7D
10D	Local	Y	N	1+10D
10D	Local	Y	Y	7D
10D	Local	N	Not Applicable	10D
10D	Toll	Y	Not Applicable	1+10D
10D	Toll	N	Not Applicable	1+10D

Digit Conversion with STRIPNPA (Sheet 1 of 2)

Digits after Step 1 (HNPA CONT)	Local/Toll	PFXFOR10	Originator's NPA = Called NPA	STRIPNPA	Result
7D	Local	Y	Not Applicable	Not Applicable	7D
7D	Local	N	Not Applicable	Not Applicable	7D
7D	Toll	Y	Not Applicable	Not Applicable	7D
7D	Toll	N	Not Applicable	Not Applicable	1+7D
10D	Local	Y	N	Not Applicable	1+10D

LCASCRCN (continued)**Digit Conversion with STRIPNPA (Sheet 2 of 2)**

Digits after Step 1 (HNPA CONT)	Local/Toll	PFXFOR10	Originator's NPA = Called NPA	STRIPNPA	Result
10D	Local	Y	Y	N	10D
10D	Local	Y	Y	Y	7D
10D	Local	N	Not Applicable	Not Applicable	10D
10D	Toll	Y	Not Applicable	Not Applicable	1+10D
10D	Toll	N	Not Applicable	Not Applicable	1+10D

Datafill example

The following example shows sample datafill for table LCASCRCN.

The example lists an LCASCRCN.LCASCRCR subtable in NPA 613 with the name OTWA and mandatory dialing of prefix digit 11, and an LCASCRCN.LCASCRCR subtable in NPA 819 with the name HULL and optional dialing of prefix digit 3.

MAP display example for table LCASCRCN

NPALOCNM	LCASCRCR	PFXSELEC	PFXFOR10	LOCALOVR	STRIPNPA
613 OTWA (11)	MAND	N	N	Y
819 HULL (3)	OPTL	N	N	N

Table history
NA015

Added field description for option STRIPNPA to support removal of the NPA in the called number returned by the SCP. Added information on digit conversion with option STRIPNPA. Added MAP display example describing option STRIPNPA.

LCASCRN (end)

NA007

Added field description for LOCALOVR in accordance with Equal Access call attributes control feature.

NA006

Changed description of fields PFXSELEC and PFXFOR10 in accordance with the Dial Plan Translations Enhancements feature.

TL06

Increased the maximum number of customer definable prefix selectors for field PFXSELEC from two to 14.

Changed the basis on which PFXFOR10 field screens calls. Screening is now based on the prefix digit and number of digits dialed and the call type is only considered in ambiguous cases and when service codes are applied.

TOPS04

Increased the maximum number of LCANAMES that can be entered from 256 to 1024 per feature AN1379 in functionality TOPS Robustness, OSB00001.

BCS36.1

Added information under table size to clarify the difference between the maximum number of allowable LCANAMES and the maximum number of allowable tuple entries.

LCASCRCN.LCASCRCN**Table name**

Local Calling Area Screening Subtable

Functional description

Subtable LCASCRCN.LCASCRCN uses the digits dialed to determine if a call is a local or non-local termination. The operating company requires one screening table for each local calling area in the territorial limit of the switching unit.

The system allocates 1 bit in the subtable to each of the 1000 codes (000 to 999). The value of the setting of the bit is 1 if a code is a local code. The value of the setting of the bit is 0 (zero) if the code is a non-local (toll) code.

Each of the 1000 codes has an initial value of 0 (TOLL).

The system only requires local codes as input from the operating company. All other codes are default toll codes.

See table LCASCRCN for additional information.

Datafill

The datafill for table LCASCRCN.LCASCRCN appears in the following table.

Field descriptions

Field	Subfield or refinement	Entry	Explanation and action
FROMDIGS		000 to 999	<i>From digits</i> Enter the three-digit local NNX code. This number represents one code or the first code in a block of consecutive local NNX codes.
TODIGS		000 to 999	<i>To digits</i> If field FROMDIGS represents the first number of a block of consecutive local NNX codes, enter the last NNX code in the block. If field FROMDIGS represents a single local NNX code, enter the NNX code entered in FROMDIGS.

Datafill example

Sample datafill for table LCASCRCN.LCASCRCN appear in the following example.

LCASCRCN.LCASCRCR (end)

The input for the local call area screening subtable appears in this example. The operating company requires one record for each NNX code or block of consecutive NNX codes.

The local calling area subtable OTWA in NPA 613, the codes 224 to 226 and code 725 are local NNX codes.

MAP example for table LCASCRCN.LCASCRCR

FROMDIGS	TODIGS
224	225
725	725

LCCOPT

Table name

Line Class Code Compatible Options Table

Functional description

Table LCCOPT contains the line options that are compatible with each line class code (LCC).

Table LCCOPT (and related table OPTOPT for incompatible options) are read-only tables that cannot be modified by the user.

When operating company personnel add lines with the Service Order System (SERVORD), they check the option tables for the following:

- compatibility between line class codes and options
- compatibility between lines and options

Note: When operating company personnel use the table editor to datafill the line configuration tables, the system does not check tables LCCOPT and OPTOPT for compatibility.

For example, table LINEATTR contains LCCs that a DMS switch uses, whereas tables LENLINES and IBNLINES contain the options that are assigned to each line. Table LCCOPT is a reference table that defines the options that are permissible for each class of line.

For LCCs with a value of M5008, M5009, M5112, M5208, M5209, M5212, M5216, M5312, M5316, M6310 and M6320 the compatible options are the same as they are for PSET.

For additional information on tables LCCOPT and OPTOPT for Residential Enhanced Services (RES) and Meridian Digital Centrex (MDC) options, see the *SERVORD Reference Manual*. For Integrated Services Digital Network (ISDN) options, see the *ISDN Service Orders for ISDN Terminals Reference Manual*, 297-2401-310.

LCCOPT (continued)

Datavfill

The following table lists datavfill for table LCCOPT.

Field descriptions

Field	Subfield	Entry	Explanation and action
LCC		alphanumeric	Line class code. This key field contains one LCC for each record.
COMPAT		alphanumeric vector of up to 1024 line option compatibles	Compatible line options. This field contains all options that are compatible with the LCC specified in field LCC. Note: Value XXTRG is not supported for this field.

Datavfill examples

The following examples show sample datavfill for table LCCOPT.

MAP display example for table LCCOPT, 1FR

```

LCC
                                     COMPAT
-----
1FR
(ADSL) (AIN) (AINDIN) (AMATEST) (AMSG) (AMSGDENY) (ATC) (AUL) (BCLID) (BNN)
(CCW) (CFBL) (CFDA) (CFFPOVR) (CFGDA) (CFW) (CIR) (CLF) (CLI) (COD) (CTD)
(CUSD) (CWT) (DENYSRA) (DENYU3WC) (DGT) (DLH) (DNH) (DOR) (DTM) (ELN) (ESL)
(FANI) (FCTDINT) (FCTDNTER) (FCTDNTRA) (FGA) (FIG) (FNT) (FRO) (FRS) (FSR)
(GLITE) (GLTC) (GND) (HOT) (ILB) (IMB) (INT) (INTPIC) (IRR) (LCDR) (LDSA)
(LDSO) (LDSR) (LDST) (LOD) (LOR) (LPIC) (LSPAO) (LSPSO) (MAN) (MBK) (MLH)
(MPB) (NAME) (NCCW) (NDC) (NHT) (NLT) (NOH) (NPGD) (OFR) (OFS) (1MMS) (ONI)
(PDO) (PIC) (PILOT) (PLP) (PORT) (PRH) (RATEAREA) (RCVD) (RMB) (RMP) (RMR) (RMS)
(RSP) (RSUS) (SCMP) (SC1) (SC2) (SDN) (SDY) SETMODEL) (SHU) (SLU) (SPB)
(SRA) (STRD) (SUPPRESS) (SUS) (TBO) (TDN) (TERM) (TES) (TFO) (TRMBOPT) (3WC)
(WML) (XLAPLAN) $
    
```

LCCOPT (continued)**MAP display example for table LCCOPT, ISDNKSET**

LCC

COMPAT

ISDNKSET

(AAB) (ACB) (ACOU) (ACR) (ACRJ) (AFC) (AIN) (AINDN) (AINMWT) (AMATEST)
 (AMSG) (AMSGDENY) (AR) (ARR) (ASP) (ATC) (AUD) (AUL) (AVT) (BBGI) (BC)
 (BCLID) (BLOCKCDN) (BLOCKCGN) (BNN) (BRICLID) (CBE) (CBI) (CBU) (CDC) (CDE)
 (CDI) (CDU) (CFB) (CFD) (CFDVT) (DCF) (CFE) (CFI) (CFMDN) (CFRA) (CFTB)
 (CFTD) (CFU) (CFXDNCT) (CFXVAL) (CHG) (CIDS DLV) (CIDSSUP) (CIR) (CLI)
 (CLNT900) (CMCF) (CMD) (CNAMD) (CND) (CNDBO) (CNF) (COT) (CPU) (CRBL) (CTD)
 (CWI) (CWT) (CXR) (DBC) (DCBI) (DCBX) (DCC) (DCPK) (DCPU) (DCPX) (DENYISA)
 (DFDN) (DIN) (DLH) (DND) (DNH) (DOR) (DPCAR) (DRING) (DROP) (DTM) (EBO)
 (EBX) (ECM) (ECT) (EHL) (FC) (FCTDNTER) (FCTDNTRA) (FNT) (FTRKEYS) (FTRGRP)
 (GIC) (HLD) (ICM) (IECFB) (IECFD) (ICSDEACT) (ILB) (IMB) (INTPIC) (IRR) (ISA)
 (ISADEACT) (ISDNAMA) (KSH) (KSMOH) (LCDR) (LMOH) (LNR) (LNRA) (LOD) (LOR)
 (LPIC) (LSPAO) (LSPSO) (LVM) (MBK) (MCH) (MDN) (MDNNAME) (MEMDISP) (MLH)
 (MREL) (MRF) (MRFM) (MSB) (MSBI) (MSGDEACT) (MWT) (NAME) (NDC) (NDNAP)
 (NOH) (NRS) (NUMC) (ODB) (ONI) (PBL) (PCACIDS) (PDO) (PIC) (PLP) (PORT) (PPL)
 (PREMTBL) (PRK) (PRL) (PROVCGS) (PROVCD) (PROVLLC) (PROVHLC) (PRV) (RAG)
 (RATEAREA) (REASDSP) (REV) (RLS) (RMB) (RMI) (RND) (RSP) (RSUS) (SCA) (SCF) (SCL)
 (SCMP) (SCRJ) (SCS) (SCU) (SDS) (SDSDENY) (SDY) (SEC) (SHU) (SL) (SLU) (SMDR)
 (SPB) (SSAC) (SUPPRESS) (SUPPRND) (SUS) (SVCGRP) (TBO) (TES) (TFO) (TRANSFER)
 (3WC) (VI) (VMEADENY) (VMEADN) (WML) (XFER) (XLAPLAN)\$

LCCOPT (continued)**MAP display example for table LCCOPT, IBN**

LCC

COMPAT

IBN

(ACB) (ACD) (ACDNR) (ACRJ) (ADSI) (AIN) (AINDN) (ALI) (AMATEST) (AMSG)
 (AMSGDENY) (AR) (ARDDN) (ASP) (ATC) (AUL) (AVT) (BCLID) (BNN) (CALLOG) (CBE)
 (CBI) (CBU) (CCSA) (CCW) (CDC) (CDE) (CDI) (CDT) (CDU) (CFB) (CFD) (CFDVT)
 (DCF) (CFF) (CFFPOVR) (CFGD) (CFI) (CFIND) (CFMDN) (CFRA) (CFS) (CFTB)
 (CFTD) (CFU) (CHD) (CIR) (CLF) (CLI) (CLNT900) (CMCF) (CNAB) (CNAMD) (CND)
 (CNDB) (CNDBO) (CNF) (COD) (COIN) (COT) (CPU) (CSMI) (CTD) (CTW) (CWD) (CWI) (CWO)
 (CWR) (CWT) (CWTC) (CWTACT) (CWX) (CXR) (DCBI) (DCBX) (DCND) (DCPK) (DCPU)
 (DCPX) (DDN) (DENY) (DENYCSMI) (DENYCWTC) (DENYISA) (DENYSRA) (DGT)
 (DIN) (DLH) (DMTC) (DND) (DNH) (DOR) (DRCW) (DRING) (DSCWID) (DTM) (EBO)
 (EBX) (ECM) (EHL) (ELN) (EMW) (FCTDINT) (FCTDNTER) (FCTDNTRA) (FGA) (FIG)
 (FNT) (FRO) (FRS) (FTRGRP) (FTS) (GIC) (GLTC) (GND) (HLD) (HOT) (IECFB) (IECFD)
 (ICSDEACT) (ILB) (IMB) (INTPIC) (IRR) (ISA) (ISADEACT) (LCDR) (LDTPSAP)
 (LINEPSAP) (LMOH) (LNR) (LOD) (LOR) (LPIC) (LROA) (MBK) (MDN) (MDNNAME)
 (MEMDISP) (MLAMP) (MLH) (MPH) (MREL) (MRF) (MSB) (MSBI) (MSGDEACT) (MWT)
 (NAME) (NDC) (NFA) (NHT) (NLT) (NOH) (NPGD) (NSDN) (NTS_CID) (NTS_DNID)
 (OBS) (OFR) (OFS) (ONI) (PCWT) (PDO) (PIC) (PILOT) (PLP) (PORT) (PPL) (PREMTBL)
 (PRH) (PRK) (RAG) (RCVD) (REV) (RMB) (RMR) (RMT) (RSP) (RSUS) (SACB) (SCA) (SCF)
 (SCL) (SCMP) (SCRJ) (SCS) (SCU) (SCWID) (SDN) (SDS) (SDSDENY) (SDY) (SEC)
 (SETMODEL) (SHU) (SIMRING) (SL) (SLU) (SMDI) (SMDICND) (SMDR) (SOR) (SORC)
 (SPB) (SPR) (SRA) (SSAC) (STRD) (SUPPRESS) (SUPR) (SUS) (SVCGRP) (TBO)
 (TERM) (TES) (TFO) (TRMBOPT) (3WC) (3WCPUB) (UCD) (UCDLI) (UCDS) (WML)
 (WUCR) §

LCCOPT (continued)**MAP display example for table LCCOPT, RES**

LCC

COMPAT

RES

(ACB) (ACRJ) (ADSI) (ADSL) (AIN) (AINDN) (AMATEST) (AMSG) (AMSGDENY) (AR)
 (ARDDN) (ASP) (ATC) (AUL) (BCLID) (BNN) (CALLOG) (CCW) (CDT) (CFBL) (CFDA)
 (CFFPOVR) (CFGDA) (CFIND) (CFRA) (CFW) (CIR) (CLF) (CLI) (CLNT900) (CMG)
 (CNAB) (CNAMD) (CND) (CNDB) (CNDBO) (COD) (CONVERT) (COT) (CPU) (CRT)
 (CRTDENY) (CSMI) (CTD) (CUSD) (CWD) (CWT) (CWTC) (CXR) (DDN) (DENY)
 (DENYCSMI) (DENYCWTC) (DENYISA) (DENYSRA) (DENYU3WC) (DGT) (DLH) (DNH)
 (DOR) (DRCW) (DSCWID) (DTM) (ECM) (EHL) (ELN) (EWAL) (EWALI) (FANI)
 (FCTDINT) (FCTDNTER) (FCTDNTRA) (FGA) (FIG) (FNT) (FRO) (FRS) (FTRGRP) (FTS)
 (GIC) (GLITE) (GND) (HOT) (ICSDEACT) (ILB) (IMB) (INT) (INTPIC) (IRR) (ISA)
 (ISADEACT) (LCDR) (LDSA) (LDSO) (LDSR) (LDST) (LNPTST) (LOD) (LOR) (LPIC)
 (LSPAO) (LSPSO) (MBK) (MDN) (MDNNAME) (MEMDISP) (MLAMP) (MLH) (MREL)
 (MRF) (MSB) (MSGDEACT) (MWT) (NAME) (NCCW) (NDC) (NFA) (NHT) (NLT) (NOH)
 (NPGD) (NTS_CID) (NTS_DNID) (OCFA) (OFR) (OFS) (1MMS) (ONI) (OUTWT) (PDO) (PIC)
 (PILOT) (PLP) (PORT) (PPL) (PRH) (RATEAREA) (RCVD) (RCHD) (RMB) (RMI) (RMP)
 (RMR) (RMS) (RMT) (RSP) (RSUS) (SACB) (SCA) (SCF) (SCMP) (SCRJ) (SCU) (SCWID)
 (SC1) (SC2) (SC3) (SDN) (SDS) (SDSDENY) (SDY) (SETMODEL) (SHU) (SIMRING) (SL)
 (SLC) (SLU) (SLVP) (SMDI) (SMDICND) (SPB) (SRA) (STRD) (SUPPRESS) (SUS) TBO)
 (TCW) (TDN) (TERM) (TES) (TFO) (TRMBOPT) (3WC) (VMDEADENY) (VMDEADN) (WML)
 (TERM) (TES) (TFO) (WC) (WML) (XLAPLAN) \$

LCCOPT (continued)**MAP display example for table LCCOPT, PSET**

LCC	COMPAT
PSET	(AAB) (AAK) (ACB) (ACD) (ACDNR) (ACRJ) (AEMK) (AIN) (AINDN) (AINMWT) (ALI) (AMATEST) (AMSG) (AMSGDENY) (AR) (ARDDN) (ASL) (ASP) (ATC) (AUD) (AUL) (AUTODISP) (AUTOHF) (AVT) (BC) (BCLID) (BLF) (BNN) (CAG) (CBE) (CBI) (CBU) (CCV) (CCW) (CDC) (CDE) (CDI) (CDU) (CFB) (CFD) (CFDVT) (DCF) (CFF) (CFFPOVR) (CFGD) (CFI) (CFK) (CFMDN) (CFRA) (CFS) (CFTB) (CFTD) (CFU) (CIF) (CIR) (CLI) (CLNT900) (CLSUP) (CMCF) (CNDBO) (CNF) (COT) (CPU) (CSMI) (CTD) (CTW) (CWD) (CWI) (CWO) (CWR) (CWT) (CWX) (CXR) (DASK) (DCBI) (DCBX) (DCPK) (DCPU) (DCPX) (DENYISA) (DIN) (DISP) (DLH) (DMCT) (DND) (DNH) (DOR) (DQS) (DQT) (DRCW) (DRING) (DTM) (EBO) (EBX) (ECM) (EHLN) (ELN) (EMK) (EMW) (EXT) (FAA) (FCTDINT) (FCTDNTER) (FCTDNTRA) (FGA) (FNT) (FTRKEYS) (FTRGRP) (FXR) (GIAC) (GIC) (HF) (HFMUTE) (ICM) (IECFB) (IECFD) (ICSDEACT) (ILB) (IMB) (INSPECT) (INTPIC) (IRR) (ISA) (ISADEACT) (JOIN) (KSH) (KSMOH) (LCDR) (LINEPSAP) (LMOH) (LNR) (LNRA) (LOB) (LOD) (LOR) (LPIC) (LVM) (MBK) (MBCAMP) (MCH) (MDN) (MDNNAME) (MEMDISP) (MLAMP) (MLH) (MMI) (MREL) (MRF) (MRFM) (MSB) (MSBI) (MSGDEACT) (MUTE) (MWIDC) (MWQRY) (MWT) (M518) (M522) (M536) (M6310) (M6320) (NAME) (NDC) (NFA) (NGTSRVCE) (NOH) (NTS_CID) (NTS_DNID) (OBS) (OLS) (ONI) (PBL) (PCWT) (PDO) (TME) (PIC) (PILOT) (PLP) (PPL) (PREMTBL) (PRH) (PRK) (PRL) (PRV) (QBS) (QCK) (QTD) (RAG) (RCVD) (READDSP) (RMB) (RPA) (RSP) (RSUS) (SACB) (SBLF) (SCA) (SCF) (SCL) (SCMP) (SCRJ) (SCS) (SCU) (SDS) (SDSDENY) (SDY) (SEC) (SETMODEL) (SHU) (SIMRING) (SKDISP) (SL) (SLQ) (SLU) (SMDI) (SMDR) (SOFTKEY) (SOR) (SORC) (SPB) (SPR) (SSAC) (SUPPRESS) (SUPR) (SUS) (SVCGRP) (TBO) (TERM) (TES) (TFO) (TLS) (3WC) (3WDPUB) (UCD) (UCDLG) (UCDSD) (WML) (WUCR) \$

Table history**MMP15**

Added option REV to LCC ISDNKSET and to LCC IBN.

Added option COIN to the LCC IBN.

Added option ECT to LCC ISDNKSET.

NA014

Added option ODB to the LCC ISDNKSET.

MMP13

Added LCC values M6310 and M6320.

NA013

Added options CRT and CRTDENY to the LCC RES output.

Added the prevent deletion option (PDO) to the following LCCs: 1FR, 2FR, 4FR, 8FR, 10FR, IBN, RES, 1MR, PBX, PBM, OWT, EOW, INW, 2WW,

LCCOPT (continued)

ETW, TWX, CSD, ZMD, ZMZPA, CCF, CDF, CSP, CDF, CSP, CFD, DATA, PDATA, PSET, and ISDNKSET.

Added the who's calling (WC) option to the LCC RES output.

NA012

Added option SUPPRND to the LCC ISDNKSET.

Removed value XXTRG from MAP displays. Added note that value XXTRG is not supported for field COMPAT.

Added option CFIND for IBN and RES lines.

NA011

This release affects table LCCOPT in the following ways:

- Added options CWTC and DENYCWTC.
- Added option JOIN to the PSET table. This option is compatible with the LCC value PSET. LCCs that are affected include PSET, M5008, M5009, M5112, M5208, M5209, M5212, M5216, M5312, M5316.
- Added options ARR, NDNAP, and RND to the LCC ISDNKSET.
- Added option LMOH to LCCs IBN, ISDNKSET, and PSET.

APC010

Added option EMR to the COMPAT field. This option is compatible with the LCC value IBN.

This release added options LDA and PRI to the COMPAT field. These options are compatible with the LCC value IBN.

NA010

This release affects table LCCOPT in the following ways:

- Added No Cancel Call Waiting Without Call Waiting (NCCW) SERVORD option.
- Added Access to Messaging (AMSG) and AMSGDENY to COMPAT field 1FR, RES, ISDNKSET, IBN, and PSET.
- Added Message Deactivation (MSGDEACT) to COMPAT field ISDNKSET, IBN, RES, and PSET.
- Added option SIMRING.
- Added option CMG to field COMPAT for RES.

LCCOPT (continued)

APC009.1

Added option NOCOLL to field COMPAT for IBN.

NA009

This release affects table LCCOPT in the following ways:

- Increased the number of LCCs that are compatible with option PORT.
- Added the ACRJ and DCC options to the COMPAT field for ISDNKSET.
- Added SRA and DENYSRA options to COMPAT field for 1FR and RES.

NA008

This release affects table LCCOPT in the following ways:

- Added line option CFFPOVR in the list of compatible options for supported Residential Enhanced Services (RES) LCC.
- Added options ACB, AR, CNAMD, CND, CIDSSUP, CIDSDLV, CRBL, DBC, PCACIDS, CFXDNCT, and CFXVAL to the MAP display example of compatible options for an LCC of ISDNKSET.
- Added new COMPAT value CFFPOVR, which is compatible with the LCC value RES.

CNA007

Added new COMPAT value EWALI, which is compatible with LCC values RES, EOW, and ETW only.

EUR006

Added new option AOC to COMPAT field and new MAP display example showing AOC as compatible with ISDNKSET.

NA006

Added new COMPAT value FTS, which is compatible with LCC values IBN and RES only.

NA004

This release affects table LCCOPT in the following ways:

- Added new LCC values M5008, M5208, M5216, and M5316, and new COMPAT value DENYU3WC.
- For LCCs with value M5008, M5009, M5208, M5018, M5112, M5216, M5316, and M5317, the compatible options are the same as for PSET.

NA003

Changed the MAP display example to show the compatibility of the Single Line Queue (SLQ) feature with the LCC value PSET.

LCLRS

Table name

TOPS Calling Tariff to Local Rate Step Table

Functional description

One schedule for each tariff must be assigned as the local rate schedule, containing the local rate step. The treatment of local calls can be tariff dependent.

When a subscriber dials 0- to access the operator and the operator dials a call for the subscriber, the system identifies to the operator if it is a local call and refers to the local rate step for applicable changes.

More than one schedule rate step can be assigned to a tariff in table LCLRS. The customer has a choice of assigning a standard and a nonstandard local rate step for each tariff in the Traffic Operator Position System (TOPS) serving area. The selection of the rate step depends on whether a call is ratable, local or coin, and on the originating line number of the subscriber.

Local calls originating from coin stations located at schools and hospitals can be charged a lower rate than other standard local coin calls.

The telephone company can use field LC_TYPE in table LCLRS to specify standard and nonstandard local rate steps associated with a tariff. Also table SPLDNID is used in conjunction with table LCLRS to assign 10-digit directory numbers (DN) with nonstandard rates.

If a call is ratable and local coin, and found to be nonstandard in table SPLDNID, the nonstandard rate step in table LCLRS is used. Otherwise, the standard rate step is used.

TOPS Mass Table Control

Feature V0178 (TOPS Mass Table Control) permits data changes in table LCLRS to be mass-table-controlled. In other words, the feature permits the simultaneous activation of data changes in the table by entering the data changes for the table into table LCLRSI, and then, when all the required changes are entered, swap the contents of table LCLRS with table LCLRSI.

For further information on feature V0178, refer to table CHARGEI.

LCLRS (continued)**Local rate schedule parameters for rate step tables**

The following table lists the recommended datafill for tables CHARGE, DCOUNT, RBKSET, and SCHED.

Local rate schedule parameters

Table	Field	Values	Remarks
CHARGE	CLCHG	0	
	DINP	N	
SCHED	CRP	0	
RBKSET			No rate break (table RBKMAP must be assigned a RBKSET with field BRK set to ND and field TIME set to 2400).

Datafill sequence and implications

The following tables must be datafilled before table LCLRS:

- SCHED
- TARIFF

Table size

0 to 126 tuples

LCLRS (continued)**Datafill**

The following table lists datafill for table LCLRS.

Field descriptions

Field	Subfield or refinement	Entry	Explanation and action
TARIFF		alphanumeric (1 to 17 characters)	Calling tariff. Enter the tariff name that the originating numbering plan area (NPA)-NXX belongs to as previously datafilled in table TARIFF. Note: The entry in this field cannot be the tariff name associated with tariff number 0.
	LC_TYPE	SPL or STD	Local type. Enter the local schedule type as follows: <ul style="list-style-type: none"> • SPL (special) if the associated schedule name and rate step are nonstandard for that tariff • STD (standard) if the associated schedule name and rate step are standard for that tariff
SCHNAME		alphanumeric (1 to 17 characters)	Local schedule name. Enter the local schedule name assigned to the above tariff as previously datafilled in table SCHED with field TERMTYPE set to LOC.
RATESTEP		0 to 999	Rate step. Enter the rate step assigned to the local schedule. The rate step entered must be within the range specified in table SCHED for the above local schedule name (field SCHNAME).

Datafill example

Examples of datafill for table LCLRS are shown below.

The first example shows datafill for the North American TOPS.

Tariff BELLONT has 2 local schedules: one standard and one nonstandard schedule having a lower rate step.

MAP display example for table LCLRS

TARIFF	SCHNAME	RATESTEP
BELLONT STD	LOCAL	350
BELLONT SPL	LOCAL	345
BELLQUE STD	LOCAL	350

The second example shows datafill for the Caribbean expansion plan (CEP) International TOPS (ITOPS).

Although two different tariffs exist, they both use the same rate schedule and rate step for local calls.

MAP display example for table LCLRS

TARIFF	SCHNAME	RATESTEP
STKITTS1 STD	LOCAL	350
STKITTS2 STD	LOCAL	350

LCLRSI

Table name

TOPS Calling Tariff to Local Rate Step Inactive Table

Functional description

Feature V0178 (TOPS Mass Table Control) permits data changes in table LCLRS to be mass-table-controlled. In other words, the feature permits the simultaneous activation of data changes in the table by entering the data changes for the table into table LCLRSI, and then, when all the required changes are entered, swap the contents of table LCLRS with table LCLRSI.

For further information on feature V0178, refer to table CHARGEI.

Refer to table LCLRS.

Datafill sequence and implications

Refer to table LCLRS.

Table size

Refer to table LCLRS.

Datafill

Refer to table LCLRS.

Datafill example

Refer to table LCLRS.

LCMDRINV

Table name

Line Concentrating Module Line Drawer Inventory Table

Functional description

Table LCMDRINV lists the data assignments for each line drawer related with a line concentrating module (LCM). The types of line drawers follow:

- Standard line drawer—NT6X05AA
- Internal line drawer—NT6X05BA
- PCM-30 line drawer—NT6X05CA
- ISDN line drawer remote (ILDR)—NT6X05DA
- HSD Line drawer (X-NET)—NT6X05EA
- HSD Line drawer —NT6X05HA
- Enhanced ISDN line drawer—NTBX32BA
- Star Remote Module Outdoor (SRMO)—NTTR40AA
- Star Remote Module Equipment (SRME) for wall installations—NTTR45AA/AB
- Universal Edge 9000 (UE9000)—NTKX08AA

The data assignments are as follows:

- the line concentrating module (LCM) name contains:
 - site—the location of the LCM
 - frame—the frame number for the LCM
 - unit—the unit number of the LCM in the frame
- the drawer table (DRWRTAB), a multiple of up to twelve (eighteen for the Star Hub) of the following:
 - physical drawer number (PHYDRNO)
 - product engineering code (PEC) of the line drawer control card (LDCPEC)

LCMDRINV (continued)

- PEC of the physical line drawer (DRWRPEC)
- drawer loadname contains up to eight characters or NILLOAD if a loadname is not necessary
- the following subfields in field DRWRTAB apply only to the Star Module
 - remote line drawer internal number (RLDNO)
 - number of links (NUMLINKS) identifies the number of C-side DS-1 links that connect the Star Remote to the Star Hub
 - CARRMTC tuple name of the DS-1 links between the Star Hub and Star Module (CARRIDX)
 - ringer frequency (RINGER)
 - module site name (LOCATION)
 - RLDNAME includes the following subfields:
 - SITE name defined in table SITE which indicates the physical location of the RLD
 - FRAME indicates the RLD frame number
 - UNIT indicates the RLD unit number

ATTENTION

ILDR is first available for remote switching center-SONET (RSC-S) and remote switching center (RSC) configurations in the NA007/XPM08 timeframe. ILDR is first available for remote line concentrating module (RLCM), outside plant module (OPM), and outside plant access cabinet (OPAC) configurations in the NA008/XPM81 timeframe.



CAUTION

Risk of service interruption or degradation

Do not provision local ISDN line drawers (ILD) on line concentrating modules (LCM) that directly subtend NTMX77-based line trunk controllers (LTC). This restriction is first required in the NA012/XPM12 time frame.

LCMDRINV (continued)

For each ILDR defined in the switch through table LCMDRINV, the following information is stored:

- physical drawer number, which is the ILDR drawer number
- PEC of the line drawer control card, which is the ISDN drawer controller (IDC) PEC (NT6X54DA)
- product engineering code (PEC) of the drawer, which is the ILDR PEC (NT6X05DA)
- drawer loadname, which is the loadfile name for the ILDR drawer

Datafill sequence and implications

The following tables must be entered in the listed sequence:

- LCMINV
- LCMDRINV
- LNINV

Table size

0 to 255 tuples

Datafill

The following table lists datafill for table LCMDRINV.

Field descriptions (Sheet 1 of 5)

Field	Subfield or refinement	Entry	Explanation and action
LCMNM		see subfield	<i>Line concentrating module name</i>
	LINE_MOD	see subfield	LCMNM is the key field and includes subfield LINE_MOD. <i>Line module key</i>
			This subfield includes subfields SITE and FRAME, and subfield UNIT.

LCMDRINV (continued)

Field descriptions (Sheet 2 of 5)

Field	Subfield or refinement	Entry	Explanation and action
	SITE	alphabetical (up to four characters) or blank	<p><i>Site</i></p> <p>If the office parameter USINGSITE in table OFCOPT and the office parameter UNIQUE_BY_SITE_NUMBERING in table OFCENG are both equal to Y (yes), and the line is remote from the host, enter the site name assigned to the remote location. Otherwise, if the line connects to the host, leave the subfield blank and SITE is datafilled by default with HOST.</p> <p>If the office parameter USINGSITE in table OFCOPT is equal to Y and the office parameter UNIQUE_BY_SITE_NUMBERING in table OFCENG is equal to N (no)—numbering is unique to office—the entry in subfield SITE is optional. If you enter SITE, the system checks the entry for a match in one of the tables where lines are assigned. If you do not enter SITE, the system does not make a default entry and does not check the entry against one of the tables where lines are assigned.</p> <p>If you set office parameter USINGSITE in table OFCOPT to N, leave this subfield blank.</p>
	FRAME	0 to 511	<p><i>Line module frame number</i></p> <p>Enter the number of the frame with the line card. The maximum frame number is 127 for NT-40 and 511 for SuperNode switches.</p> <p>For digital line modules (DLM), the frame number refers to the logical frame number of the DLM, not the physical frame. Each physical frame divides into two logical frames.</p>

LCMDRINV (continued)**Field descriptions (Sheet 3 of 5)**

Field	Subfield or refinement	Entry	Explanation and action
	UNIT	0 to 1	<p>Enter the frame type in field FRTYPE and can be one of the following types:</p> <p>ELCM (enhanced line concentrating module)</p> <p>LCM (line concentrating module)</p> <p>LCME (enhanced line concentrating module with ISDN)</p> <p>LCMI (ISDN line concentrating module)</p> <p>STAR (Star Remote Hub)</p> <p><i>Line module unit number</i></p> <p>Enter the unit number with the line card. The range of valid entries for subfield UNIT that go with the entries in subfield FRAME are as follows:</p> <ul style="list-style-type: none"> • ELCM {0 to 1} • LCM {0 to 1} • LCME {0 to 1} • LCMI {0 to 1} • STAR (0 to 1)
DRWRTAB		see subfield	<p><i>Drawer table</i></p> <p>This field is a multiple of up to 12 (18 in the Star Hub) entries in subfields PHYDRNO, DRWRPEC, LDCPEC, and LOADNAME. For the Star Module, enter data in subfield RLDNO, LOADNAME, NUMLINKS, CARRIDX, RINGER, LOCATION, and RLDNAME.</p>
	PHYDRNO	0 to 17	<p><i>The physical drawer number</i></p> <p>Physical drawer 0 consists of logical drawers 0 and 1.</p>

LCMDRINV (continued)

Field descriptions (Sheet 4 of 5)

Field	Subfield or refinement	Entry	Explanation and action
	LDCPEC	MCLC NT6X54AA NT6X54BA NT6X54CA NT6X54DA NTBX36AA NTBX36BA NTEX54AA NTEX54AB NTEX54BA NTEX54CA NTFX54AA NTTR70AA	<i>The line drawer control card PEC.</i>
	DRWRPEC	NT6X05AA NT6X05BA NT6X05CA NT6X05DA NT6X05EA NT6X05HA NTBX32BA NTKX08AA NTTR40AA NTTR45AA	<i>The physical line drawer PEC.</i>
	RLDNO	0-999	<i>Remote line drawer internal number</i>
	LOADNAME	alphanumeric (vector of up to eight characters)	<i>Load</i> Enter the name given to the peripheral module (PM) software load.
	NUMLINKS	1 or 2	<i>Number of DS-1 links</i> Enter the number of DS-1 links that connect the Star Module to the Star Hub.
	CARRIDX	0 to 15	<i>Carrier index</i> Tuple name of the DS-1 links between the Star Hub and the Star Module in table CARRMTC.

LCMDRINV (continued)**Field descriptions (Sheet 5 of 5)**

Field	Subfield or refinement	Entry	Explanation and action
	RINGER	20, 25, or 30	<p><i>Ringer frequency</i></p> <p>Enter the value of the Star Module's coded ringer. The following coded ringing frequencies apply to specific applications</p> <ul style="list-style-type: none"> • 20 Hz - Bell Canada • 25 Hz - International • 30 Hz - North America
	LOCATION	alphanumeric (vector of up to eight characters)	<p><i>Free description of the remote line drawer location</i></p> <p>Enter a string of up to eight characters describing the Star Module location.</p>
	RLDNAME	see subfield	This subfield includes subfields SITE , FRAME, and UNIT.
	SITE	A site name defined in table SITE	indicates physical location of the RLD.
	FRAME	0 TO 511	indicates the RLD frame number
	UNIT	0 TO 2	indicates the RLD unit number.
	MACADDRE SS	12 hexadecimal digits	<p><i>Media Access Control layer address</i></p> <p>The Ethernet address, also known as the hardware physical address. Get this information from the label on the data enhanced bus interface card (DBIC) card (NTEX54AA, NTEX54AB, or NTEX54BA). This number must be distinct and match the number on the DBIC. This subfield only applies to the 1-Meg Modem Service.</p>
	IPADDR	4 digits, with each digit ranging from 0 to 255	<p><i>IP Address</i></p> <p>The Internet Protocol (IP) address of the LCM line drawer. The default is 0 0 0 0. This subfield only applies when you use the 1MMS option in SERVORD to provision 1-Meg Modem Service. The value in this subfield can be the default (0 0 0 0) or any IP value If the office does not support 1-Meg Modem Service or you do not use SERVORD to provision 1-Meg Modem Service.</p>

LCMDRINV (continued)

Restrictions/limitations

When you change the drawer information in table LCMDRINV that affects an ILDR, the system checks the following information:

- The PEC name of the IDC must be NT6X54DA.
- The ILDR PEC must be NT6X05DA.
- The ILDR new PEC, NT6X05DA, must be installed only with the IDC PEC NT6X54DA, and vice versa.
- Definition of ILDRs is allowed only in a North American configuration.
- Definition of ILDRs under an LCM is allowed only if the LCM's host is an RCC+ or an RCC2.
- Definition of ILDRs on RLCM, OPM, or OPAC is allowed only if the RLCM, OPM, or OPAC's carriers are defined on NT6X50AB cards with an ESF/B8ZS protocol. This restriction is to allow a 64 kbit/s clear channel for circuit switched traffic.
- Definition of ILDRs is allowed only if the load size of the LCM, RLCM, OPM, or OPAC is greater than 64kb.
- A maximum of two ILDRs can be defined for each LCM, RLCM, OPM, or OPAC PM.
- An ILDR cannot be equipped as physical drawer 0 or 5. This restriction is because physical drawers 0 and 5 are used for running the bus interface card (BIC) relay test diagnostic and require line 0 of these drawers to be set aside for system uses.
- Only one ILDR can be defined in each line concentrating array (LCA). This means that if the ILDR drawer number of the first ILDR is within the range of 1 through 4, the next ILDR to be defined in this LCM, RLCM, OPM, or OPAC will have its drawer number within the range of 6 through 9. This limitation exists in order to permit an optimal heat dispersion in the LCM, RLCM, OPM, or OPAC.
- If the LCM, RLCM, OPM, or OPAC is in-service, a warning will be given to the user that adding a new ILDR to the LCM, RLCM, OPM, or OPAC might drop up to two calls. This is because the additional ILDR requires two connections between the IDC and the XMS-based peripheral module (XPM) message card. These connections might drop existing calls that use the same C-side channels of the LCM, RLCM, OPM, or OPAC.
- The number of XPM C-side channels available for P-side messaging limits the number of ILDRs that can be supported on a given P-side node. For example, if there are 45 C-side channels available on an RCC2.
- Definition of an ILDR is allowed only if the state of the drawer is unequipped, that is, no lines are defined in this drawer.

LCMDRINV (continued)

- The loadfile name for the ILDR must be defined in table PMLOADS.
- Deletion of an ILDR is allowed only if its state is offline.
- Deletion of an ILDR is allowed only if it does not have lines or special connections defined on it.
- ILDR drawers must be entered in table LCMDRINV before ILDR lines are datafilled in table LNINV.

When you add or change remote line drawer (RLD) information in table LCMDRINV the system checks the following:

- The total number of RLDs defined in a DMS-100 switch cannot exceed 1000.
- RLDs can only be connected to Star Hubs.
- Each Star Hub supports up to 16 RLDs. The physical drawer number is a value from 0 to 15.
- The RLD PEC must be NTTR40AA or NTTR45AA, NTTR70AA or NTTR70AB.
- The software may change the RLD number to match the internal system requirements and notifies the user of the change.
- The system does not allow changes to the RLD number of an existing RLD.
- The RLD loadfile name must already be defined in table PMLOADS.
- When you change the number of RLD C-side links from
 - two to one, the system allows this change only if one link is offline: link 0 for even Star Module, and link 1 for odd Star Module
 - two to one, the system updates the state of the removed link to Uneq in both databases
 - one to two, the system updates the state of the added link to Offl
- When you change the Star Module carrier index, the system sends the carrier maintenance data to its host Star Hub

LCMDRINV (continued)

- You can remove an RLD from table LCMDRINV only if the Star Module state is Offl.
- You can remove an RLD from table LCMDRINV only if it does not have lines or special connections defined on it.



CAUTION

RLD Lines are defined in table LNINV according to the RLDNAME field of table LCMDRINV.

Before changing the RLDNAME field, consider the following:

1. The new RLDNAME should reflect the actual location of the RLD.
2. As soon as the RLDNAME is changed, the external LEN of all the subtending lines will automatically change to match the new RLDNAME. This change will affect either lines that are already defined off this RLD, or lines that will be defined off this RLD in the future. The change of the LEN will take place in any MAP level that prints out the LEN or receives it as input, eg. table LNINV and related tables (LENLINES, IBNLINES, ALTSCHED, ESAPXLA, etc.), LTP level and sub-levels, SERVORD level, log reports, line query commands (QLEN, QDN, QLENWRK, QLT), etc.
3. A suitable warning is printed in the map when the RLDNAME field is changed.

Datafill example

The following sample datafill for table LCMDRINV for the Star Remote System identifies line drawers in the Star Hub and remote line drawers

LCMDRINV (continued)**MAP display example for table LCMDRINV**

```

TABLE LCMDRINV
LCMNM DRWRTAB
-----
RLGH 00 0
(0 NTEX54BA NT6X05EA 010203040506)(1 NTEX54BA NT6X05EA
010203040506)(2 NT6X54AA NT6X05AA)(3 NT6X54DA NT6X05DA
IDAA08L)(4 NT6X54AA NT6X05AA)(5 NTEX54BA NT6X05EA
010203040506)(6 NT6X54AA NT6X05AA) (7 NILDRWR )
(8 NT6X54DA NT6X05DA IDAA08L)(9 NILDRWR )$

```

The following sample datafill for table LCMDRINV for the Star Remote System identifies line drawers in the Star Hub and remote line drawers in the Star Module.

```

TABLE LCMDRINV
LCMNM DRWRTAB
-----
REML 01 0
(0 NT6X54AA NT6X05AA) (1 NT6X54DA NT6X05DA)
(2 NT6X54AA NT6X05AA) (3 NT6X54AA NT6X05AA) (4 NILDRWR)
(5 NT6X54AA NT6X05AA) (6 NT6X54AA NT6X05AA)
(7 NT6X54AA NT6X05AA) (8 NTTR70AA NTTR40AA 14 RDAA09A 2
DS1HUB 20 AIRPORT ARPT 2 0)(9 NT6X54AA NT6X05AA) (10 NT6X54AA
NT6X05AA) (11 NT6X54AA NT6X05AA) (12 NT6X54AA NT6X05AA)
(13 NT6X54AA NT6X05AA) (14 NT6X54AA NT6X05AA) (15 NT6X54AA
NT6X05AA) (16 NT6X54AA NT6X05AA) (17 NT6X54AA NT6X05AA)$

```

The following sample datafill shows datafill for UE9000.

LCMDRINV (continued)

LCMNM
DRWRTAB
HOST 05 0
(0 MCLC) (1 MCLC) (2 MCLC) (3 MCLC) (4 MCLC) (5 MCLC)
(6 MCLC) (7 MCLC) (8 MCLC) (9 MCLC) (10 MCLC)
(11 MCLC) (12 MCLC) (13 MCLC) (14 MCLC) (15 MCLC) \$

Table history

NA015

Field RLDNAME is added in the RLD refinement, to indicate the RLD site, frame number and unit number. .

The RLDSITE name changed to LOCATION.

With general availability initially scheduled for the NA015-based software release, this feature is planned for patch-back into NA011, NA012, NA013 and NA014-based software releases.

NA012

Added information on IPADDR values when the office does not use 1-Meg Modem Service or SERVORD to provision 1-Meg Modem Service

Added MCLC and NTFX54AA PECs to DRWRTAB field to support the UE9000.

Removed NTNP40AA from LEDPEC and DRWRPEC

Added sample datafill example for UE9000.

NA011

Added new subfields and information to support the Star Module remote line drawer (RLD).

Added information on NTEX54BA and field IPADDR.

Added AX08AA and NTNP40AA line cards to support UE9000.

LCMDRINV (continued)

NA008

Added information on NTEX54AB.

NA007

Added information for DMS-100 LCMs providing Ethernet on LCM interface for the Nortel 1-Meg Modem Service.

Added information pertaining to the Nortel 1-Meg Modem Service.

Added information pertaining to ILDR.

Supplementary information

This section contains error messages and dump and restore information related to table LCMDRINV.

Error messages

The following messages are examples of error messages and their actions.

Invalid Operation: Tuple Addition occurs when the corresponding entry is added in to the LCMINV table.

Action: Add the tuple to LCMINV.

Invalid Operation: Tuple deletion occurs when the corresponding entry is deleted from the LCMINV table.

Action: Delete the tuple from table LCMINV.

If you try to define an ILDR to a PM that is not LCM, RLCM, OPM, or OPAC, the following error message displays:

The C-side PM does not support ILDR.

Action: Define ILDR on the proper host.

If you try to define an ILDR with an LCM that does not have an RCC+ or RCC2 as its host PM, or you try to define an ILDR on an RLCM, OPM, or OPAC that does not have an RCC+, RCC2, LTC+, or LGC+, as its host PM the following error message displays:

This configuration does not support ILDR.

Action: Define ILDR on the proper host.

LCMDRINV (continued)

If you try to define an ILDR to an RLCM that connects to its host with a carrier not in B8ZS protocol, the following error message displays:

```
B8ZS protocol must be used for ILDR.
```

Action: Either correct the RLCM's carriers or define ILDR on another host.

If you try to define an ILDR to an RLCM that connects to its host with a carrier not in ESF signaling format, the following error message displays:

```
ESF signaling format must be used for ILDR.
```

Action: Either correct the RLCM's carriers or define ILDR on another host.

If you try to define an RLCM that does not have an NT6X50AB as its DS1CARD, the following error message displays:

```
ILDR requires 6X50AB card.
```

Action: Correct the RLCM's card.

If you try to define another ILDR on a shelf that already has two ILDRs on it, the following error message displays:

```
No more than 2 ILDRs are allowed on this shelf.
```

Action: Correct the RLCM's card.

If you try to define ILDR as physical drawer 0 or 5, the following error message displays:

```
ILDR cannot be provisioned in physical drawer 0 or 5.
```

Action: Define ILDR in another drawer.

If you try to define the second ILDR of the shelf in the same LCA as the first, the following error message displays:

```
2 ILDRs can not exist on the same LCA.
```

Action: Define ILDR in another drawer.

When you try to define an ILDR, two connections are set between the IDC and the XPM message card. This activity can drop active calls that use the same

LCMDRINV (continued)

C-side channels of the LCM, RLCM, OPM, or OPAC. The following warning message displays:

```
Adding a new ILD might drop up to 2 calls!
```

Action: Accept, reject, or edit the tuple.

If you try to define an ILDR in a configuration using the last available C-side messaging channels for the ILDR, the following warning message displays:

```
WARNING: Resource limitation is reached for RCC2 <n>.
```

Action: None.

If you try to define an ILDR in a configuration where there are no C-side messaging channels available, the following error message displays:

```
ERROR: Resource limitation is reached for RCC2 <n>.
```

Action: Either define the ILDR in another host or delete a node from the configuration.

If you try to define an ILDR as a drawer that is already installed, the following error message displays:

```
Lines still equipped in drawer <n>. Must first delete associated line data.
```

Action: Either correct the drawer number or delete the lines defined in table LNINV.

If you try to define an ILDR on an LCM, RLCM, OPM, or OPAC that has a load size of 64kb, the following error message displays:

```
ILDR is not compatible with LCM with 64kb memory.
```

Action: Change the LCM, RLCM, OPM, or OPAC's load size to a larger value.

If you try to define or change an ILDR with LOAD that is not defined in table PMLOADS, the following error message displays:

```
FILENAME is not datafilled in PMLOADS.
```

Action: Either correct the LOAD name or define it in table PMLOADS.

LCMDRINV (end)

If you try to define or change an ILDR with an invalid drawer PEC or a drawer PEC unsuitable to ILDR, the following error message displays:

```
Drawer PEC not suitable for ILDR.
```

Action: Correct the drawer PEC.

If you try to delete an ILDR that is not offline, the following error message displays:

```
ILDR is not Offline.
```

Action: Offline the ILDR.

If you try to delete an ILDR with special connections defined on it, the following error message displays:

```
There are special connections on the ILDR.
```

Action: Delete the special connections in table SPECCONN.

If you try to provision an ILD on an LCM variant that directly subtends an NTMX77 based LTC/LGC peripheral, the following error message displays:

```
Error: NT6X54DA ILDR drawer <X> is not supported by C-side host  
of RLCM/HUB. Can no longer datafill ILD drawers on  
LTC/LGC with MX77 processor. Must first upgrade to SX05  
processor, or move ILD to a supported PM.
```

Action: Upgrade to an SX05 processor or move the the ILD to a supported peripheral.

LCMINV

Line Concentrating Module Inventory

Table Line Concentrating Module Inventory (LCMINV) lists the data assignments for each bay associated with a line concentrating module (LCM). The types of LCM are as follows:

- enhanced LCM with ISDN (LCME)
- enhanced LCM (ELCM)
- expanded LCM (XLCM)
- international LCM (ILCM)
- international local remote LCM (IRLCM)
- ISDN LCM (LCMI)
- local LCM (LCM)
- Multi-circuit line module (MCLM)
- remote LCM (RLCM)
 - convertible remote line concentration module (RLCM)
 - RLCM with extended distance capability (RLCM-EDC)
- Star Remote Hub (also known as STAR or HUB)
- virtual line concentrating module (VLCM)

Note: In this document, ISDN line group controllers and ISDN line/trunk controllers are abbreviated as LGCI and LTCl.

- Universal Edge 9000 (UE9000, UEN)

The data assignments are as follows:

- the name of the bay and, if part of a remote unit, the name of the site assigned to the remote location; if a name is not assigned, the default value is HOST
- the frame type on which the peripheral module (PM) is physically mounted
- the floor, the row on the floor, the frame position in the row, and the shelf position for each unit associated with a line concentrating equipment (LCE) frame
- the equipment product engineering code (PEC)
- the issue name of the PM software (for a list of available names, see the appropriate BCS)

- the PM type and number to which the particular type of LCM is attached
- the memory size of the peripheral processor card
- the data for the ring type (if ringing generator-equipped)
 - coded 20 or 30 Hz ringing

Note: For the UE9000, the ring type is coded 20 Hz ringing.

- frequency ringing
- superimposed ringing
- C-side link assignments for the following:
 - ELCM, LCM, or RLCM, or all three
 - ILCM or IRLCM, or both
 - LCMI or LCME, or both

If RLCM or IRLCM is assigned, the status of remote module options such as emergency stand-alone (ESA), intraswitch links, and presence of a convertible RLCM are specified.

When relocating an LCM, RLCM, OPM, or OPAC equipped with an ILDR, or when moving its links, all relevant tuples in table SPECCONN must be deleted first. The establishment of a nailed-up connection between ILDR Bd-channel and an integrated packet handler (IPH) is defined in table SPECCONN. ILDR lines do not need to be deleted, in contrast to an LCME, but all Bd and Bb connections must first be removed. If the new location of the ILDR-equipped LCM is not defined according to ILDR specifications, the translation will fail and an appropriate message will be displayed on the MAP (maintenance and administration position) display.

For an RLCM, its new carriers must also allow 64 kbits clear channel.

For an ILDR-equipped LCM, RLCM, OPM, or OPAC, the peripheral module load size must not be changed to 64 kbits.

For an ILDR-equipped RLCMs, the RLCM card must not be changed.

Datafill sequence and implications

Datafilling a convertible RLCM creates a corresponding tuple in table HIEINV with the same key. Field SHPOS in table HIEINV is changed to reflect the position of the host interface equipment (HIE).

Field MODCOUNT in table SITE is automatically updated to reflect the number of LCMs datafilled in table LCMINV.

Datafilling SRCC (SONET remote cluster controller) in field PMT means the remote cluster controller must be datafilled in tables RCCINV and RCCPSINV.

If the office is equipped with ESA, datafill table XESAINV. If the office is equipped with a remote maintenance module, datafill table RMMINV.

Entries in table SPECCONN related to the affected LCME or LCMI, or both, do not have to be deleted and then added.

Table LCMINV must be datafilled before table LCMDRINV. Table LCMDRINV must be datafilled before table LNINV.

VLCM does not support the following functions:

- emergency stand-alone (ESA)
- remote maintenance module (RMM)
- intraswitching

Table size

0 to 224 tuples

Datafill

The following table lists datafill for table LCMINV.

Field descriptions

Field	Subfield or refinement	Entry	Explanation and action
LCMNM		see subfield	Line concentrating module name. This is the key field and consists of subfield LINE_MOD.
	LINE_MOD	see subfields	Line module key. This subfield consists of subfields SITE and FRAME, and subfields GROUP, SHELF, or UNIT.
	SITE	alphabetic (four characters maximum) or blank	<p>Site. If the office parameter USINGSITE in table OFCOPT and the office parameter UNIQUE_BY_SITE_NUMBERING in table OFCENG are both set to Y (yes), and the line is remote from the host, enter the site name assigned to the remote location. Otherwise, if the line is located at the host, leave this subfield blank and SITE is datafilled by default with the value HOST.</p> <p>If the office parameter USINGSITE in table OFCOPT is set to Y and the office parameter UNIQUE_BY_SITE_NUMBERING in table OFCENG is set to N (no) - numbering is unique to an office - the entry in subfield SITE is optional. If SITE is entered, it is checked for a match in one of the tables to which lines are assigned. If SITE is not entered, it is not datafilled by default and is not checked against any of the tables to which lines are assigned.</p> <p>If office parameter USINGSITE in table OFCOPT is set to N, leave this subfield blank.</p>

Field descriptions

Field	Subfield or refinement	Entry	Explanation and action
LCM (continued)	FRAME	numeric (0 to 511)	<p>Line module frame number. Enter the number of the frame to which the line card is assigned. The maximum frame number is 127 for NT40 and 511 for SuperNode switches.</p> <p>For digital line modules (DLM), the frame number refers to the logical frame number of the DLM, not the physical frame. Each physical frame is divided into two logical frames.</p> <p>The frame type is datafilled in field FRTYPE and can be one of the following types:</p> <ul style="list-style-type: none"> ALCM (Austrian line concentrating module) DLM (digital line module) DDRM (frame name for the DDRM node) ELCM (enhanced line concentrating module) HUB (Star Remote Hub equipment) IPE (intelligent peripheral equipment) LCM (line concentrating module) LCME (enhanced ISDN line concentrating module) LCMI (ISDN line concentrating module) LDT (line appearance/digital trunk) LM (line module) LRU (line resource unit)

Field descriptions

Field	Subfield or refinement	Entry	Explanation and action
			<p>RCS (remote concentrator SLC-96) RCT (remote concentrator terminal) RCU (remote carrier urban) RDT (remote digital terminal) RLCC (remote line concentrating cabinet) SRU (small remote unit) SVR (server service) TRLE (Telrad remote line equipment)</p> <p>If both LMs and LCMs are present in the office, ensure that the frame numbering is not duplicated (that is, if LM 05 exists then LCM 05 cannot be used within the same office or central control group, or both).</p> <p>For SVR, datafill subfield GROUP. For DLM or IPE, datafill subfield SHELF. For all other shelf types, datafill subfield UNIT.</p> <p>UR256 (Universal Remote 256 lines) UR512 (Universal Remote 512 lines) UR1152 (Universal Remote 1152 lines) VLCM (virtual line concentrating module)</p>
	GROUP	numeric (0 to 3)	Group. Enter the group number to which the SVR is assigned.
LCM (continued)	SHELF	numeric (0 to 3)	<p>Shelf. Enter the shelf number to which the line card is assigned as follows:</p> <ul style="list-style-type: none"> • For DLM, enter 0 or 1. • For IPE, enter a value in the range 0 to 3.

Field descriptions

Field	Subfield or refinement	Entry	Explanation and action
	UNIT	numeric (0 to 9)	<p>Line module unit number. Enter the unit number on which the line card is assigned.</p> <p>The range of valid entries for subfield UNIT that correspond to the entries in subfield FRAME are as follows:</p> <ul style="list-style-type: none"> • ALCM {0 to 1} • ELCM {0 to 1} • LCM {0 to 1} • LCME {0 to 1} • LCMI {0 to 1} • LDT {0} • LM {0 to 1} • LRU {0 to 9} • RCS {0 to 9} • RCT {0 to 9} • RCU {0 to 9} • RDT {0 to 9} • SRU {0 to 1} • STAR (0 to 2)
FRTYPE		ALCM, DDRM, DLM, ELCM, IPE, LCM, LCME, LCMI, LDT, LM, LRU, RCS, RCT, RCU, RDT, RLCC, SRU, SVR, TRLE, UEE, UR256, UR512, UR1152, VLCE, HUB	<p>Frame type. Enter the type of frame in which the PM equipment is mounted. See subfield FRAME for an explanation of the types.</p> <p>Note: For UEE, the cabinetized Meridian SL-100 uses a Meridian cabinet line module (MCLM) with an ELCM of PEC NTN1201 (ELM shelf assembly).</p>
SHPOS		numeric (0 to 77)	Shelf position. Enter the shelf position of the frame unit.

Field descriptions

Field	Subfield or refinement	Entry	Explanation and action
FLOOR		numeric (0 to 99)	Floor. Enter the floor on which the PM frame is located.
ROW		A to Z AA to ZZ except I, O, II, and OO	Row. Enter the row in which the PM equipment frame is located.
FRPOS		0 to 99	Frame position. Enter the bay position of the PM equipment frame.
EQPEC		6K04AA, 6R91AA 6X04AA, 6X04BA, 6X05AA, 8X95AB, 9R84AA BX30AA, BX30AB, BX3118, DDRMPC, KX00AA, MX85AA, MY84AA MY85AA, MY86AA NT8602, NX1201, NX3826, SX02AA, VLCMPC	Equipment PEC. Enter a PEC matching an LCM from the following list: <ul style="list-style-type: none"> • DDRMPC - DDRM node. • ELCM - NX1201 (ELM shelf assembly) • HUB - NT8602 • ILCM - 6X04BA (ILCM common CP) • LCM - 6X04AA (LCM common CP) or 6X05AA (line drawer) • LCME - BX30AB (ISDN line concentrating equipment) • LCMI - BX30AA • NLCM - 6R91AA • RCC2 - MX85AA • SRU - 8X95AB • SRU60 - SX02AA • Telrad LCM - 6K04AA • TRLE - 9R84AA • UE9000 - KX00AA • UR256 - MY84AA • UE512 - MY85AA • UE1152 - MY86AA

Field descriptions

Field	Subfield or refinement	Entry	Explanation and action
LOAD		alphanumeric (eight characters maximum)	Load. Enter the name of the PM software load. In the case of a small remote unit 60 (SRU60), the load name is SRU60 <i>nnn</i> where <i>nnn</i> represents the load number, for example SRU60001.
CSPMNO		see subfields	C-side peripheral module number. This field consists of subfields PMT and EXT_PMNO.
CSPMNO (continued)	PMT	ARCC, ILGC, ILTC, LGC, LTC, PLGC, RCC, RCC2, RCO2, SRCC	Peripheral module type. Enter the type of C-side peripheral module to which the LCM is attached. Note 1: ARCC is a valid entry if feature AB0115 (CC-SW for ISDN on ARCC) is provisioned. Note 2: LTC (line trunk controller) is the only valid entry if field MEMSIZE is 4M 4M for the RLCM-EDC (for Japan only).
	EXT_PMNO	numeric (-32768 to 32767)	Peripheral module number. Enter the number of the peripheral module to which the LCM is attached.

Field descriptions

Field	Subfield or refinement	Entry	Explanation and action
BICTST		Y or N	<p>Bus interface card NT6X54 test. Enter Y to include an expanded line concentrating module (XLCM) in the next bus interface card (BIC) relay test (BRT) schedule. Field MEMSIZE must be set to 256K and field LCMTYPE must be set to LCM.</p> <p>Enter N to exclude an XLCM from the BRT schedule. If field MEMSIZE is set to 64K, field BICTST must be set to N.</p> <p>Enter N to exclude an XLCM from the BRT schedule. If field MEMSIZE is set to 4M 4M, field BICTST must be set to N.</p> <p>The operating company can change this field at any time. If the field is changed while the BRT is running within the given window, the XLCM is included in the current test.</p> <p>For VLCE, the field BICTST must be set to N.</p> <p>The default setting is N for the UE9000. The BICTST field must be set to N for the UE9000.</p>
ADNUM		numeric (0 to 4095)	Administration number. Enter the administration number associated with the LCM. This field is valid for feature package NTX218AA (1A/1B EADAS interface).

Field descriptions

Field	Subfield or refinement	Entry	Explanation and action
MEMSIZE		64K 64K, 64K 256K, 128K. 128K, 256K 64K, 256K 256K, 4M 4M, 8M 8M	<p>Memory size. Enter a pair of memory sizes for the two processor cards used in the LCM. The first entry in the pair is for unit 0 (zero). The second entry is for unit 1. Separate the two entries in the pair with a single space.</p> <p>Enter 4M 4M if the card is NT6X51BA (LCM processor) for Japan only.</p> <p>Enter 8M 8M if the card is NTTR77AA (remote control processor) for Star Remote Hub.</p> <p>The default is 8M 8M for the UE9000.</p> <p>Enter 64K if the card is NT6X51AA (LCM processor).</p> <p>Enter 256K only if the card is NT6X51AA or NT6X51AB (extended LCM processor), the LCM variant in field LCMTYPE is LCM or LCMI, and the load used is XLCM.</p> <p>Otherwise, enter 64K.</p> <p>For VLCE, the memory size will default to 256K 256K.</p> <p>Only the XLCM load can take advantage of the 256K expanded memory. Standard LCM loads do not recognize the memory upgrade.</p>

Field descriptions

Field	Subfield or refinement	Entry	Explanation and action
LCMTYPE		LCM, LCM, SRU, LCMI, LCME, ELCM, ALCM, VLCM, NLCM, STAR, UEN, TRLE, UREM	<p>LCM type. Enter the LCM type that corresponds to the entry in field EQPEC as follows:</p> <ul style="list-style-type: none"> • 6X04AA - LCM • 6X04BA - ILCM • 8X95AB - SRU • BX30AA - LCMI • BX30AB - LCME • KX00AA - UEN (UE9000) • NX1201 - ELCM • NT8602 - STAR <p>Enter ALCM if the Austrian LCM PEC has been entered in field EQPEC.</p> <p>Note 1: The SRU is based as closely as possible on the hardware currently used for the LCME.</p> <p>Note 2: An ILCM can have standard (STD) line drawers or PCM30 line drawers (PLD). Each PLD interfaces to two PCM30 links to customer multiplexer equipment instead of 64 analog lines. The PLD consists of a standard line drawer with card NT6X54CA (PLD bus interface card) and card NT6X27CA (PCM30 interface card). The PLD drawer has two logical drawers; each drawer supports one PCM30 link. Each link has time slots ranging from 0 to 31. Each time slot is mapped to the corresponding card slot, that is, time slot 0 is mapped to card slot 0. Datafill card codes T1LOOP and T1EARTH only in PLD time slots 1 to 15, and 17 to 31.</p> <p>Time slots 0 and 16 are not valid for BCS32.</p>

Field descriptions

Field	Subfield or refinement	Entry	Explanation and action
RNGDATA		see subfield	Ring data. This field consists of subfields RGEQUIP and refinement RNGTYPE.

Field descriptions

Field	Subfield or refinement	Entry	Explanation and action
	RGEQUIP	Y or N	<p>Ring generator equipped. Enter Y if a ringing generator is equipped and datafill refinement RNGTYPE.</p> <p>Enter N if a ringing generator is not equipped. No other datafill is required.</p> <p>Enter N if field MEMSIZE is 4M 4M (for Japan only).</p> <p>Enter Y to allow datafill of ring type (for VLCE or UE9000).</p>

Field descriptions

Field	Subfield or refinement	Entry	Explanation and action
	RNGTYPE	C, C30, C3C, C3D, C5A, C5B, C5I, C6E, C6F, CSR, F, S, UE9000, UNASSIGNE D (continued below)	<p>Ring type. Enter the type of ringing assigned to the LCM as follows:</p> <ul style="list-style-type: none"> • C (coded 20 Hz) • C30 (coded 30 Hz) • F (frequency) — datafill refinements in the following table • S (superimposed) — datafill refinements in the following table • UE9000 (coded 20 Hz) <p>For Japan, the entry in refinement RNGTYPE must be C3D. This provides the Japanese ringing scheme based on a 3-second cycle for the basic ringing pattern of 1 second on and 2 seconds off. The C3D value can only be datafilled in loads containing feature package NTXZ08AA (Japan ringing).</p> <p>For China, the entry in refinement RNGTYPE must be C5A. This provides the ringing scheme based on a 5-second cycle for the basic ringing pattern of 1 second on and 4 seconds off. .</p> <p>For Saudi Arabia, the entry in refinement RNGTYPE must be C6E. This provides the Saudi Arabia ringing/alerting scheme based on a 6-second cycle for the basic ringing pattern of 1.35 seconds on and 4.65 seconds off. The ringing generator NT6X30HA must be installed in the LCM.</p> <p>For Egypt, the entry in refinement RNGTYPE must be C5I. This provides the basic Egypt ringing cadence of 1 second ON, 4 seconds OFF for Local calls, and 1.64 seconds ON, 0.84 seconds OFF for Long Distance Calls.</p>

Field descriptions

Field	Subfield or refinement	Entry	Explanation and action
RNGDATA (continued)	RNGTYPE (continued)	C4B, C5F, C5E, C5G, C5H, (continued below)	<p>Enter one of the following physical ringing schemes for European countries, introduced in EUR010: C4B - Belgium C5F - France C5E - Holland C5G - Italy C5H - Norway C6F - Portugal C45A - Spain C5D - Switzerland. To activate the ringing data, issue the BSY (busy) command followed by the RTS (return to service) command.</p> <p>For Belgium, the entry in refinement RNGTYPE must be C4B. This provides the ringing scheme based on a 4-second cycle for the basic ringing pattern of 1 second on and 3 seconds off.</p> <p>For France, the entry in refinement RNGTYPE must be C5F. This provides the ringing scheme based on a 5-second cycle for the basic ringing pattern of 1.5 seconds on and 3.5 seconds off.</p> <p>For Holland, the entry in refinement RNGTYPE must be C5E. This provides the ringing scheme based on a 5-second cycle for the basic ringing pattern of 1 second on and 4 seconds off.</p> <p>For Italy, the entry in refinement RNGTYPE must be C5G. This provides the ringing scheme based on a 5-second cycle for the basic ringing pattern of 1 second on and 4 seconds off.</p> <p>For Norway, the entry in refinement RNGTYPE must be C5H. This provides the ringing scheme based on a 5-second cycle for the basic ringing pattern of 1 second on and 4 seconds off.</p>

Field descriptions

Field	Subfield or refinement	Entry	Explanation and action
RNGDATA (continued)	RNGTYPE (continued)	C45A, C5D, C6F	<p>For Spain, the entry in refinement RNGTYPE must be C45A. This provides the ringing scheme based on a 4.5-second cycle for the basic ringing pattern of 1.5 seconds on and 3 seconds off.</p> <p>For Switzerland, the entry in refinement RNGTYPE must be C5D. This provides the ringing scheme based on a 5-second cycle for the basic ringing pattern of 1 second on and 4 seconds off.</p> <p>For Portugal, the entry in refinement RNGTYPE must be C6F. This provides the ringing scheme based on a 6-second cycle for the basic ringing pattern of 1 second on and 5 seconds off.</p> <p>Note: A ringing scheme entered as initial datafill can be entered directly. If you are changing the ring type tuple, first change RNGTYPE to UNASSIGNED and then to the required ringing scheme. Table control prevents changing tuples directly from one value to another without first changing RNGTYPE to UNASSIGNED.</p>

RNGTYPE = F

If the entry in RNGTYPE is F, datafill refinements RNGCADNCE, FREQUENCIES, A, B, C, and D as described in the following table.

Field descriptions for conditional datafill

Field	Subfield or refinement	Entry	Explanation and action
RNGTYPE	RNGCADNCE	BOC or REA	<p>Ringling cadence. Enter BOC (the ringling cadence for a Bell operating company) or enter REA (the ringling cadence for rural electrification administration). The default is REA.</p> <p>In BCS30 it is possible to specify whether the LCMs or RLCMs, or both, support BOC or REA ringling cadence pattern for frequency selective ringling. Previous to BCS30 the default is REA ringling. REA has slot lengths of 1.95, 1.35, 1.35, and 1.35 s. BOC has slot lengths of 2.0, 2.0, 1.0, and 1.0 s.</p>
	FREQUENCIES	see subfields	Frequencies. This subfield consists of a table of four refinements: A, B, C, and D.
	A	16, 17, 20, 25, 30, 34, 40, 42, 50, 54, 60, 66, 67, blank	Frequency A. Enter the frequency that is assigned to frequency A (primary frequency) or leave the field blank.
	B	16, 17, 20, 25, 30, 34, 40, 42, 50, 54, 60, 66, 67, blank	Frequency B. Enter the frequency that is assigned to frequency B or leave the field blank.

Field descriptions for conditional datafill

Field	Subfield or refinement	Entry	Explanation and action
	C	16, 17, 20, 25, 30, 34, 40, 42, 50, 54, 60, 66, 67, blank	Frequency C. Enter the frequency that is assigned to frequency C or leave the field blank.
	D	16, 17, 20, 25, 30, 34, 40, 42, 50, 54, 60, 66, 67, blank	Frequency D. Enter the frequency that is assigned to frequency D or leave the field blank.

RNGTYPE = S

If the entry in field RNGTYPE is S, datafill refinement PROMVOLT as described in the following table.

Field descriptions for conditional datafill

Field	Subfield or refinement	Entry	Explanation and action
	PROMVOLT	40V or 48V	PROM offset voltage. Enter the PROM offset voltage required for the PROM in the ringing generator or leave the field blank.

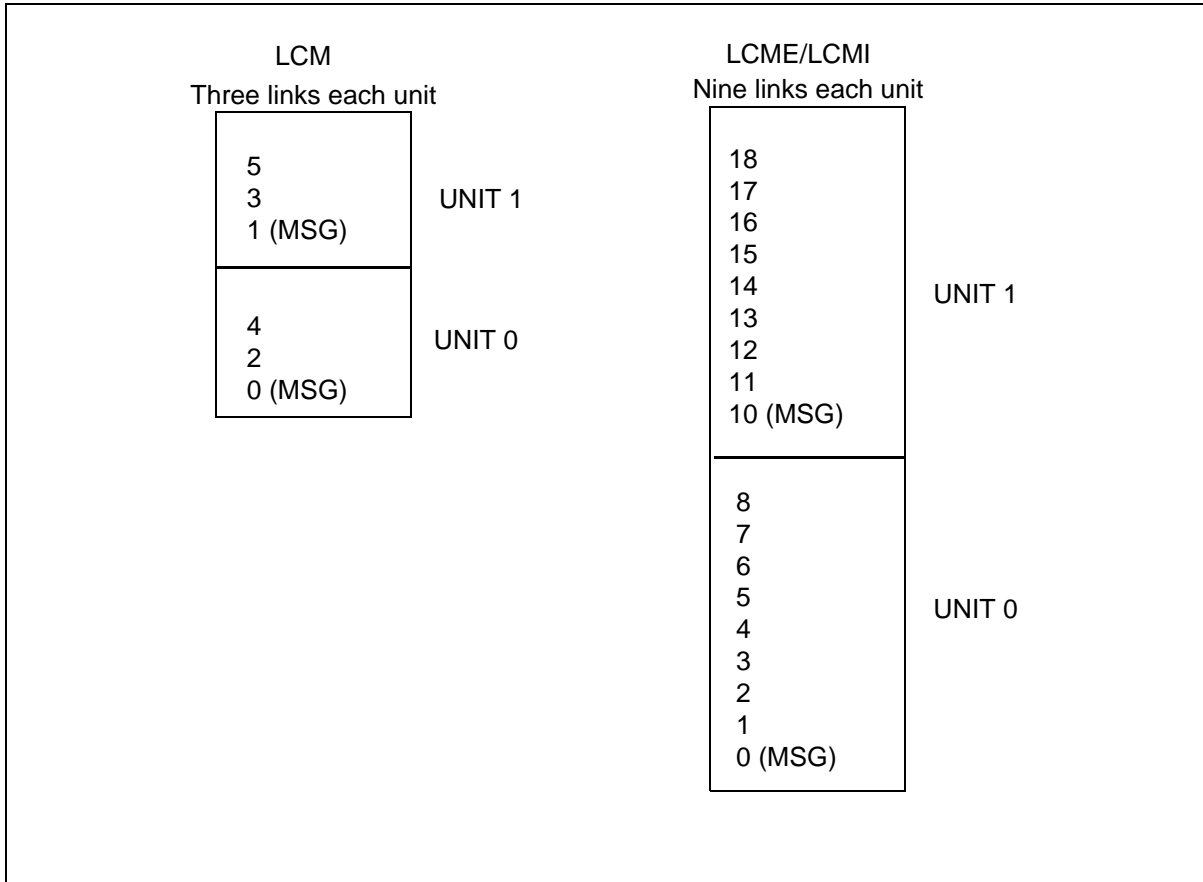
LCMTYPE = LCME or LCMI

If the entry in field LCMTYPE is LCME or LCMI, datafill refinement LCDI_INFO as described in the following table.

Field descriptions for conditional datafill

Field	Subfield or refinement	Entry	Explanation and action
	LCDI_INFO	numeric (0 to 63) vector of 18 entries maximum	<p>ISDN LCD information. If the entry in field LCMTYPE is LCMI or LCME, enter the LTC or line group controller (LGC) links 0-19 (0-39 for LGC/LTCI equipped with an NTAX78BA time switch card) to which the LCME/LCMI is assigned. The links must correspond to C-side links LK0 to LK8 and LK10 to LK18 of the LCME/LCMI.</p> <p>The first LTC/LGC link entered corresponds to link 0 of the LCME/LCMI, which is also the message (MSG) link to the LCME/LCMI unit 0. The second LTC/LGC link entered corresponds to link 10 of the LCME/LCMI, which is also the MSG link to the LCME/LCMI unit 1. The subsequent LTC/LGC links entered will correspond to the LCME/LCMI links 1 (unit 0), 11 (unit 1), 2 (unit 0), 12 (unit 1), 3 (unit 0), 13 (unit 1)...</p> <p>Note 1: LCME/LCMI LK 9 is an internal link between unit 0 and unit 1 and is not datafilled.</p> <p>Note 2: See "LCM and LCME/LCMI maximum link configurations" for the link differences on unit 0 and 1 between the LCM and LCME/LCMI. This will affect the order that the C-side links of the LCM/LCME/LCMI are listed when the "trnslp" command is issued on a posted LTC/LGC. For an LCM, the links will be in order listed 0 to 5 and for the LCME/LCMI, the links will be listed as 0, 10, 1, 11, 2, 12...</p>

LCM and LCME/LCMI maximum link configurations



LCMTYPE = ILCM

If the entry in field LCMTYPE is ILCM, datafill refinement DRWRTYPE as described in the following table.

Field descriptions for conditional datafill

Field	Subfield or refinement	Entry	Explanation and action
	DRWRTYPE	STD or PLD (vector of ten entries)	Drawer type. Enter the drawer type for each line drawer. Enter STD (standard) or PLD (PCM30 line drawer). The STD drawer has 64 analog lines and the PLD drawer has two PCM30 links. All ten line drawers must be individually specified.

LCMTYPE = any entry other than LCME or LCMI

If the entry in field LCMTYPE is anything other than LCME or LCMI, datafill refinements LCMINFO and LCMSELECTOR as described in the following table.

Field descriptions for conditional datafill

Field	Subfield or refinement	Entry	Explanation and action
	LCMINFO	see subfield	Line concentrating module information. This field consists of subfield LCMSELECTOR.
	LCMSELECTOR	HLCM, RLCM, or STAR	<p>LCM selector. Enter the LCM selector as follows:</p> <ul style="list-style-type: none"> • Enter HLCM for a host LCM and datafill refinement LKINFO. • Enter RLCM for a remote LCM and datafill refinements LINKMAP, INTRASW, ESA, CONV, and DS1CARD. • Enter STAR for a Star Remote Hub and datafill refinements LINKMAP, INTRASW, ESA, PROTOCOL, CONV, and DS1CARD.
	LKINFO	0 to 63 (vector of six values maximum)	<p>P-side link information. Enter the LGC links or LTC links (0 to 19), or both, on which a host LCM is assigned corresponding C-side links LK0 to LK5 of the LCM.</p> <p>The first link is also the message (MSG) link to LCA 0 and the second link is also the MSG link to LCA 1.</p>
<p>Note: When datafilling fields LKINFO or LINKMAP, ensure message links are not assigned to the same physical interface card. When the interface card supports two or more links, separate the message links by the number of links on the interface cards. This applies to all interface link types: DS-1, DS30, DS30A, or PCM30. Table control issues a warning if an attempt is made to assign message links on the same interface card. Assigning message links to the same interface card can cause an E1 outage (failure of all message links) if the card fails.</p>			

Field descriptions for conditional datafill

Field	Subfield or refinement	Entry	Explanation and action
	LINKMAP	numeric (0 to 63) vector of six values maximum	<p>P-side link information. Enter the LGC links or the LTC links (0 to 19 or 0-39 if NTAX78 time switch card is installed), or both, on which a remote LCM is assigned. The links correspond to C-side links LK0 to LK5 of the RLCM.</p> <p>The first link is also the MSG link to LCA 0 and the second link is the MSG link to LCA 1. The first link (first entry in the field) and the second link (second entry) must be assigned to different DS-1 cards on the line group assembly and line trunk assembly (LGA/LTA) shelf array.</p> <p>The UE9000 can have up to 6 C-side links.</p> <p>Note: LCMs attached to RCC2s must have message link (0 and 1) assignments separated by a minimum of four link assignments. The MX74 interface cards in the RCC2 support four links each. The failure of an MX74 card could cause an E1 outage if all message links of an LCM resided on that card.</p>
	OPTCARD	alphanumeric (eight characters) see subfields	optional card. Enter the PEC of optional card. This refinement is used by UE9000. There are currently two optional cards (NTKX05BA and NTKX05AA) available for UE9000.

Note: When datafilling fields LKINFO or LINKMAP, ensure message links are not assigned to the same physical interface card. When the interface card supports two or more links, separate the message links by the number of links on the interface cards. This applies to all interface link types: DS-1, DS30, DS30A, or PCM30. Table control issues a warning if an attempt is made to assign message links on the same interface card. Assigning message links to the same interface card can cause an E1 outage (failure of all message links) if the card fails.

Field descriptions for conditional datafill

Field	Subfield or refinement	Entry	Explanation and action
	MACADDR	table of 12 hexadecimal digits	media access control layer address. Enter the Ethernet address, also known as the hardware physical address. It is a table of 12 hexadecimal digits.
	IPADDR	four addresses (0 to 255)	IP address. Enter the internet protocol (IP) address. It has four digits, with each digit ranging from 0 to 255. This subfield is used by UE9000 optional cards NTKX05BA and NTKX05AA.
	INTRASW	Y or N	Intraswitch. Enter Y if the entry in field LCMSELECTOR is RLCM and the RLCM is provided with the internal link options, intrabay (IA) or interbay (IR). Otherwise, enter N. Enter N if field MEMSIZE is 4M 4M (for Japan only).
	ESA	Y or N	Emergency stand-alone. Enter Y if the entry in subfield LCMSELECTOR is RLCM and the RLCM is arranged for the ESA option. Otherwise, enter N. Enter N if field MEMSIZE is 4M 4M (for Japan only). Note: If the entry in this field is Y, datafill table XESAINV. Entries in table XESAINV must be deleted before this field can be reset to N.
<p>Note: When datafilling fields LKINFO or LINKMAP, ensure message links are not assigned to the same physical interface card. When the interface card supports two or more links, separate the message links by the number of links on the interface cards. This applies to all interface link types: DS-1, DS30, DS30A, or PCM30. Table control issues a warning if an attempt is made to assign message links on the same interface card. Assigning message links to the same interface card can cause an E1 outage (failure of all message links) if the card fails.</p>			

Field descriptions for conditional datafill

Field	Subfield or refinement	Entry	Explanation and action
	PROTOCOL	HDLC or DMSX	Protocol. Enter the protocol the DS-1 links to the host support. For the Star Remote Hub, the protocol is DMSX. For the UE9000, the protocol is DMSX.
	FWLOAD	alphanumeric (eight character maximum)	Enter name of the firmware load. This refinement is used by UE9000, and it defaults to NILLOAD.
	CONV	Y or N	Convertible. Enter Y if the entry in subfield LCMSELECTOR is RLCM and the RLCM is a convertible RLCM. Otherwise, enter N. Enter N if field MEMSIZE is 4M 4M (for Japan only).

Note: When datafilling fields LKINFO or LINKMAP, ensure message links are not assigned to the same physical interface card. When the interface card supports two or more links, separate the message links by the number of links on the interface cards. This applies to all interface link types: DS-1, DS30, DS30A, or PCM30. Table control issues a warning if an attempt is made to assign message links on the same interface card. Assigning message links to the same interface card can cause an E1 outage (failure of all message links) if the card fails.

Field descriptions for conditional datafill

Field	Subfield or refinement	Entry	Explanation and action
	DS1CARD	6X50AA 6X50AB or NONE	<p>DS-1 card. Enter the version of the DS-1 card used in the RLCM if the entry in subfield LCMSELECTOR is RLCM.</p> <p>Do not enter a mixture of DS-1 cards. This ensures that the remote still works if corruptions or power failures occur in an LGA/LTA shelf array. For an RLCM, ensure the DS-1 cards used are all either NT6X50AA (DS-1 interface CP) or NT6X50AB (DS-1 interface CP).</p> <p>If the entry in field LCMTYPE is LCM or ELCM, enter the version of DS-1 card used. If the value NONE is entered, the field defaults to 6X50AA.</p> <p>Enter 6X50AB if field MEMSIZE is 4M 4M (for Japan only).</p> <p>If the entry in field LCMTYPE is ILCM, enter NONE.</p> <p>If a PEC is entered, the field defaults to NONE.</p>
<p>Note: When datafilling fields LKINFO or LINKMAP, ensure message links are not assigned to the same physical interface card. When the interface card supports two or more links, separate the message links by the number of links on the interface cards. This applies to all interface link types: DS-1, DS30, DS30A, or PCM30. Table control issues a warning if an attempt is made to assign message links on the same interface card. Assigning message links to the same interface card can cause an E1 outage (failure of all message links) if the card fails.</p>			

Field descriptions for conditional datafill

Field	Subfield or refinement	Entry	Explanation and action
	DDRM	RGEQUIP, LINKMAP, ESA, GNS, MXC_CON FIG, UTR_CON FIG, MTA_AVAI LABLE, LTT_TMS	LINKMAP indicates the C-side links to the host PLGC. ESA shows whether ESA mode is enabled or not. GNS indicates whether the DDRM node is single plane or double plane. MXC_CONFIG shows which shelves have MXC. UTR_CONFIG shows which shelves have UTR. MTA_AVAILABLE shows whether the DDRM has the MTA card set or not. LTT_TMS shows the MTA card set configuration.
<p>Note: When datafilling fields LKINFO or LINKMAP, ensure message links are not assigned to the same physical interface card. When the interface card supports two or more links, separate the message links by the number of links on the interface cards. This applies to all interface link types: DS-1, DS30, DS30A, or PCM30. Table control issues a warning if an attempt is made to assign message links on the same interface card. Assigning message links to the same interface card can cause an E1 outage (failure of all message links) if the card fails.</p>			

Datafill examples

The following examples show sample datafill for table LCMINV.

MAP display example for table LCMINV

```

LCMNM FRTYPE SHPOS FLOOR ROW FRPOS  EQPEC  LOAD
CSPMNO
BICTST ADNUM  MEMSIZE
                LCMTYPE
-----
HOST 00 0  LCEI  4 1 P  2 BX30AA  LCMI02A LGC 0
N    1    256K 256K
LCMI N (9) (10) (11) (12) (13) (14)$

HOST 02 0  LCE  4 3 D  1 6X04AA  XLCM06BI LTC 2
N    2    256K 256K
LCM  Y C HLCM (32) (37) (34) (35) $

REM1 00 0  LCEI  4 0 B  5 BX30AB  LCME06BH RCC2 0
N    3    256K 256K
LCME N (6) (7) (8) (9)$

REM0 02 0  LCEI  22 3 B  2 8X95AB  PSAA0116 PLGC 10
N    4    256K 256K
SRU N C RLCM (0) (1) (2) (3) N N N NONE $

REM1 40 1  LCEI  32 0 F  0 SX02AA  SRU60001 PLGC 40
N    0    256K 256K (6) (7) $ N N N NONES$

HOST 41 1  LCEI  4 0 C  1 BX30AB  LCME11BD PLGC 41
N    0    256K 256K
LCME N C6F (10) (12) (11) (13) (14) (15) $

```

The following example shows sample datafill for table LCMINV when field MEMSIZE has a value of 4M 4M for an RLCM-EDC provisioned for Japan only.

MAP display example for table LCMINV

```

LCMNM FRTYPE SHPOS FLOOR ROW FRPOS  EQPEC  LOAD
CSPMNO
BICTST ADNUM  MEMSIZE
                LCMTYPE
-----
HOST 00 0 LCE  4  3  R  4  6X04AA  XLMCM31E
LGC 0
  N    1    256K 256K
        LCM Y C HLCM (12) (14) (13) (15) $

REM1 00 0 RLCM 05  3  B  1  6X04AA  XLCM06BD
LTC 1
  N    0 12    4M 4M
        LCM N  RLCM (0) (1)$ N N N 6X50AB$

REM1 01 1 RLCM 05  3  F  0  6X04AA  XLCM06BB
LTC 4
  N    0 16    4M 4M
        LCM N  RLCM (6) (7)$ N N N 6X50AB$

```

The following example shows sample datafill for table LCMINV for UE9000.

MAP display example for table LCMINV

```

                LCMNM FRTYPE SHPOS FLOOR ROW FRPOS  EQPEC  LOAD
CSPMNO
BICTST ADNUM  MEMSIZE
                LCMTYPE
-----
HOST 05 0  UEE  0  1  E  37  KX00AA  UEN013AC LGC
0
  N    6  8M  8M
        UEN Y C DMSX NILLOAD (8) (10)$ (NTKX05AA 1234567ABC 47 111 70 55 $

```

The following example shows sample datafill for table LCMINV for UE9000.

LCMINV sample dataflow for DDRM

TABLE LCMINV																	
LCMNM	FRTYPE	SHPOS	FLOOR	ROW	FRPOS	EQPEC	LOAD	CSPMNO									
BICTST	ADNUM	MEMSIZE															
LCMYTYPE																	
REMO	00	0	DDRM	0	0	A	2	DDRMPC	DDRMLD	PLGC	0						
N	7	256K	256K														
DDRM	Y	C	(0)	(2)	(1)	(3)	\$Y	DOUBLE	Y	Y	Y	Y	UTR10	UTR10	UTR10	UTR10	Y
SHELF0	LTT17	TMS10															

Table history**(I)SN08**

Fields FRTYPE, EQPEC and LCMYTYPE are changed as part of activity A00006660 for the North American market.

Table LCMINV migrated from *DMS-100 Family DMS-100 MMP Customer Data Schema Reference Manual Volume 6 of 12*, 297-9051-351.07.02.

Supplementary information

This section contains error messages and dump and restore information related to table DVSINV.

Error messages

The following errors and warnings can occur in table LCMINV when datafill protocol is violated.

LCME/LCMI MUST BE OFFL FOR LINK CHANGES

Action: Take the LCME or LCMI, or both, off-line.

ONLY ONE RECONFIGURATION IS ALLOWED. TRY LATER.

Action: Another user has already requested the change of the tuple of an LCME or LCMI, or both, in table LCMINV. Wait until the request is finished.

Action: This means that not enough protected data store (DSPROT) could be allocated. Check DSPROT to determine if there is enough memory on the switch. If not, it can lead to data corruption. Collect logs from previous reconfiguration and inform your Nortel representative.

ALL LTIDS MUST BE REMOVED

Action: At least one local terminal identifier (LTID) is datafilled on the LCME or LCMI, or both, when trying to reconfigure it to a different C-side extended multiprocessor system (XMS)-based peripheral module (XPM). Access table LTMAP and remove all LTIDs on that LCME or LCMI, or both.

NOT ENOUGH LCME/LCMI C-SIDE CAPACITY

Action: There are not enough C-side links in the new reconfiguration. Add more links or delete some time-division multiplex (TDM) or B connections. To determine which links to delete, use commands QDCH and CKTLOC on the ISDN lines.

The following error message is displayed for a regular (20 P-side port) NT6X44 equipped LGCI or LTCI.

Both c-side message links assigned to the same XPM interface card. If this card becomes disabled it WILL cause an *** OUTAGE ***. One message link should be one of: {0 1 4 5 8 9 12 13 16 17} and the other message link one of: {2 3 6 7 10 11 14 15 18 19}.

The following message is displayed if an NTAX78BA equipped LGC/LTC is the host PM and an attempt is made to assign the LCMEs message links to the same physical card:

Both c-side message links assigned to the same XPM interface card. If this card becomes disabled it WILL cause an *** OUTAGE ***. One message link should be one of:
{0 1 4 5 8 9 12 13 16 17} OR
{20 21 24 25 28 29 32 33 36 37}
and the other message link one of:
{2 3 6 7 10 11 14 15 18 19} OR
{22 23 26 27 30 31 34 35 38 39}.

Action: When datafilling message links in LCMINV, separate links by a minimum of slots equal to the number of links on the interface card. Ensure that both message links are *not* assigned to the same interface card. An E1 outage can occur if both message links are assigned to a card that fails.

NOT ENOUGH ISG CHANNELS ARE FREE ON NEW XPM

Action: There are not enough ISDN service group (ISG) channels that are free on the new C-side XPM to support all existing TDM connections. Create new ISG basic rate access (BRA) channels on the new C-side XPM.

ALL DTA MUST BE REMOVED ON LCME/LCMI

Action: There is at least one digital test access (DTA) connection on the LCME or LCMI, or both. Remove all these connections.

LCMI/LCME RECONFIGURATION IS NOT ALLOWED FROM ITS CURRENT C-SIDE XPM

Action: The LCMI or LCME, or both, are currently located on an ISDN peripheral module (PM) other than ISDN LTC or LGC, or both, or an RCC2. This feature does not support these PMs. The tuple must be deleted first and added again.

LCMI/LCME RECONFIGURATION IS NOT ALLOWED TO THE NEW C-SIDE XPM

Action: The LCMI or LCME, or both, are moved onto an ISDN LTC or LGC, or both, or an ISDN remote cluster controller (RCC2). This feature does not support these PMs. The tuple must be deleted first and added again.

RLCM ALLOWED ON RESPECTIVE LTC/LGC/RCC/RCC2/SRCC ONLY

Action: RLCM can also be defined on P-side links of the remote cluster controller 2 (RCC2).

THERE ARE ALREADY 10 LCMS CONNECTED TO THIS RCC2/SRCC

Action: Additional LCMs cannot be added.

MEMSIZE FIELD MUST BE SET TO 256K. BIC RELAY TEST ONLY PERFORMED ON XLCM

Action: If the operating company datafills a new LCM tuple, field BICTST can be set to Y only if the entry in field MEMSIZE is 256K.

BIC RELAY TEST ONLY PERFORMED ON XLCM. LCMTYPE FIELD MUST BE LCM ONLY

Action: Due to hardware constraints, the BRT can only be performed on a standard LCM. If the operating company datafills field LCMTYPE as anything other than LCM, the tuple is rejected. Field LCMTYPE includes the LCM in the LCM BIC relay test (BRT) schedule. The LCM must be datafilled as an XLCM by setting field MEMSIZE to 256K. If field MEMSIZE is set to 64k, field BICTST must be set to N.

KEY HAS BEEN USED IN ANOTHER TABLE
KEY LCMNM OF TYPE LINE_MODULE_KEY MUST BE UNIQUE
USE DIFFERENT SITE/FRAME/UNIT

Action: Use a different value for the SITE, FRAME, or UNIT subfields. The chosen combination of SITE/FRAME/UNIT value has already been used in another table. Choose another value and try adding the tuple again.

RLCM-EDC can only support EBS (P-Phone) sets.
Check line card codes in table LNINV.
Must be 6X21 only.

Action: When attempting to convert an existing RLCM to an RLCM-EDC, the change to a MEMSIZE of 4M 4M will be rejected if the RLCM has any non-EBS set lines datafilled in table LNINV.

C-Side XPM type must be LTC for this LCM.

Action: The PM type portion of the value in field CSPMNO is LTC for an RLCM-EDC tuple. If field MEMSIZE contains the value 4M 4M, field CSPMNO must be datafilled with LTC n.

RGEQUIP must be N for this LCM.

Action: If field MEMSIZE contains the value 4M 4M, then RGEQUIP must be datafilled with N.

ESA must be N for this LCM.

Action: If field MEMSIZE contains the value 4M 4M, then subfield ESA must be datafilled with N. Otherwise, the tuple is rejected with the following error message:

Action: If field MEMSIZE contains the value 4M 4M, subfield INTRASW must be datafilled with N.

DS1CARD must be NT6X50AB for this LCM.

Action: If field MEMSIZE contains the value 4M 4M, subfield DS1CARD must be datafilled with 6X50AB.

If an attempt is made to change the ILDR-equipped LCM, RLCM, OPM, or OPAC's load size to 64kb, the following error message is displayed:

ILDR not compatible with an LCM with 64k memory.

Action: Do not change the LCM, RLCM, OPM, or the OPAC load size.

If an attempt is made to relocate an LCM, RLCM, OPM, or OPAC with special connections defined for its ILDRs to another XPM, the following error message is displayed:

Delete network special connections before changing the LCM location.

Action: Delete the ILDR special connections in table SPECCONN.

If an attempt is made to change the C-side links of an LCM, RLCM, OPM, or OPAC with special connections defined for its ILDRs, the following error message is displayed:

Delete network special connections before changing CSLINKS.

Action: Delete the ILDR special connections in table SPECCONN.

If an attempt is made to relocate an RLCM with ILDRs defined on it to another RLCM that is connected to its host with a carrier not in B8ZS protocol, the following error message is displayed:

B8ZS protocol must be used for ILDR.

Action: Either correct the RLCMs carriers or define ILDR on another host.

If an attempt is made to relocate an RLCM with ILDRs defined on it to another RLCM that is connected to its host with a carrier not in ESF signaling format, the following error message is displayed:

ESF signaling format must be used for ILDR.

Action: Either correct the RLCM carriers or define ILDR on another host.

If an attempt is made to change an RLCM ILDR-equipped DS1CARD to another card, the following error message is displayed:

ILDR requires 6X50AB card.

Action: Do not change the RLCM card.

Dump and restore

Field MEMSIZE has only one entry prior to BCS35. This entry is copied to both unit 0 (zero) and unit 1 entries in field MEMSIZE for BCS35.

LDBIDXNM

Table name

LIDB Index Name

Functional description

This table identifies the LIDB index names used for indexing into tables CCVPROV, BNSPROV, TOPEACAR and ISOCCPRV.

Datafill sequence and meaning

Table LDBIDXNM must be datafilled before tables TOPEACAR, CCVPROV BNSPROV and ISOCCPRV.

Table size

Maximun tuples for this table are 2048.

Datafill

The next table lists the datafill for table LDBIDXNM.

Description of table LDBIDXNM

Field Name	Entry	Explanation
KEY	Up to eight alphanumeric characters.	Contains the valid LIDB indices used for indexing tables CCVPROV, BNSPROV, TOPEACAR and ISOCCPRV.

Datafill example

The next figure shows sample datafill for table LDBIDXNM.

MAP display example for table LDBIDXNM

<u>LIDBIDX</u>
CAR111
CAR222
CAR333
CAR112
CAR113

Table release history

Table LDBIDXNM is a new table for the TOPS16 release.

LDTINV

Table name

Line Appearance on a Digital Trunk Inventory Table

Functional description

Table LDTINV contains an inventory of line appearance on a digital trunk (LDT) nodes attached to a DMS-100 switch and information on each LDT.

The only peripheral module (PM) to which an LDT can attach is a subscriber carrier module-100 urban (SMU), and only 20 LDTs can attach to one SMU.

If operating company personnel try to add a new peripheral with the same SITE/FRAME/UNIT information as an existing peripheral, the following error message appears:

```
ERROR: KEY has already been used
```

```
KEY LDTNO of type LINE_MODULE_KEY must be unique
```

```
Use different SITE/FRAME/UNIT
```

The DS-1 cannot be shared with any other node, and when assigning a DS-1 to an LDT, the DS-1 carrier must be offline.

To change the data associated with an LDT, the entire tuple must first be deleted. To delete an LDT, it must first be offline.

An LDT cannot be deleted if it still has lines assigned to it in table LNINV.

If the LDT or one of its dependencies fails to register with the system recovery controller (SRC), the following error message appears. The message is printed during tuple additions whenever SRC registration fails. The tuple is rejected because there are no adequate means of recovering nodes that are not registered with the SRC during restarts and SWACTs.

```
Could not register the LDT to the system recovery controller.
```

Datafill sequence and implications

The following tables must be datafilled before table LDTINV:

- SITE
- LTCINV
- LTCPSINV

LDTINV (continued)

Table LNINV must be datafilled after table LDTINV.

Note 1: The links must be assigned in table LTCPSINV before table LDTINV.

Note 2: Table LDTINV must be datafilled before the line equipment numbers (LEN) of an LDT node can be datafilled in table LNINV.

Table size

0 to 255 tuples

Table LDTINV is initially set to 0 tuple entries. Upon entry of the first tuple, 20 entries are allocated dynamically.

Datafill

The following table lists datafill for table LDTINV.

Field descriptions for conditional datafill

Field	Subfield or refinement	Entry	Explanation and action
LDTNO		see subfields	<i>Line module key</i> This field consists of subfields SITE, FRAME, and UNIT.
	SITE	alphanumeric (4 characters)	<i>Site</i> Enter the location name of the line appearance on a digital trunk (LDT). This name must already exist in table SITE.
	FRAME	0 to 511	<i>Frame</i> Enter a unique logical frame number for each LDT.
	UNIT	0	<i>Unit</i> Enter 0 to specify the unit number.

LDTINV (continued)**Field descriptions for conditional datafill**

Field	Subfield or refinement	Entry	Explanation and action
ADNUM		0 to 4095	<p><i>Administration number</i></p> <p>Enter the administrative number associated with the peripheral module (PM).</p> <p>Note 1: The value of field ADNUM must be unique across all PM inventory tables (DLMINV, IPEINV, LCMINV, LMINV, LTCINV, RCCINV, RCSINV, RCTINV, and VSRINV). Attempts to add a PM with an ADNUM already in use are rejected and the system prompts the user with the next available ADNUM value.</p> <p>Note 2: Field ADNUM cannot be changed if the operational measurements (OM) counts for that PM are included in an Engineering and Administrative Data Acquisition System (EADAS) or data collection (DC) section associated with the OMs LMD or UTR.</p>
CSPMNO		see subfields	<p><i>C-side peripheral node number</i></p> <p>This field consists of subfields PMT and EXT_PMNO.</p>
	PMT	SMU	<p><i>Peripheral module</i></p> <p>Enter the name of the SMU to which the LDT is attached to on its C-side.</p>
	EXT_PMNO	0 to 127	<p><i>Peripheral module number</i></p> <p>Enter the PM node number of the SMU. Any entry outside the range of values indicated for this field is invalid.</p>
PSLINK		0 to 19 or NILPORT	<p><i>P-side link</i></p> <p>Enter the P-side port number of the SMU that corresponds to the LDT.</p>

Datafill example

The following example shows sample datafill for table LDTINV.

LDTINV (end)**MAP display example for table LDTINV**

	LDTNO	ADNUM		CSPMNO	PSLINK
RALE	00	0		SMU	0
RALE	01	0		SMU	2
PSAP	18	0		SMU	3
PSAP	19	0		SMU	3
CHAR	00	0		SMU	5
CHAR	01	0		SMU	5
BOON	97	0		SMU	8
BOON	99	0		SMU	7

Table history**NA005**

Added error message to indicate that a tuple is being rejected because some part of the SRC registration process failed.

LENFEAT

Table name

Line Features

Functional description

Table LENFEAT lists the features that are assigned to a specific line in table LENLINES. At the MAP terminal, a range on field DF in table LENFEAT displays a list of features loaded on the switch.

This list includes the features that are datafilled in tables IBNFEAT, KSETFEAT, and LENFEAT. Only the features listed in the following table are valid entries in field DF.

Available features within table LENFEAT (Sheet 1 of 5)

Abbreviation	Feature description
ACD	Automatic Call Distribution
ACRJ	Anonymous Caller Rejection
ADL	Abbreviated Dialing (see note)
AIN	Advanced Intelligent Network
AIOD	Auto-identified Outward Dialing
ALI	Automatic location identification
ASP	Auxiliary Service Position
AUD	Automatic Dial
AUL	Automatic Line
BCLID	Bulk Calling Line Identification
CALLOG	Call Logging
CDA	Call Diversion to Announcement (see note)
CDB	Call Diversion on Busy (see note)
CDF	Call Diversion Fixed (see note)
CDO	Call Diversion to Operator (see note)
CDS	Call Diversion to Subscriber (see note)
Note: This feature is available in international loads only.	

LENFEAT (continued)**Available features within table LENFEAT (Sheet 2 of 5)**

Abbreviation	Feature description
CDT	Custom IBN Disconnect Treatment
CFDVT	Call Forwarding Don't Answer Variable Timing
CFFPOVR	Call Forward Fraud Prevention Override
CFTB	Call Forward Timed for CFB
CFTD	Call Forward Timed for CFD
CFX	Call Forwarding (Universal/Busy/Don't Answer)
CLI	Calling Line Identification
CPU	Call Pickup
CSMI	Call Screening, Monitoring, and Intercept
CU	Calling Line Identification
CSDDS	Circuit Switched Digital Data Service
CTD	Carrier Toll Denied
CXR	Call Transfer
DENY	Deny Option
DIN	Denied Incoming
DND	Do Not Disturb
DRING	Distinctive Ring
ECM	Extended Call Management
EMW	Executive Message Waiting
ESDN	Enhanced Secondary Directory Number
ESG	Emergency Service Group (see note)
ESL	Emergency Service (911) with Ringdown Trunk
EWAL	Enhanced WATS Access Line
Note: This feature is available in international loads only.	

LENFEAT (continued)**Available features within table LENFEAT (Sheet 3 of 5)**

Abbreviation	Feature description
EWALI	Enhanced WATS Access Line IntraLATA
FCTDNTER	Full Carrier Toll Denied InterLATA
FCTDNTRA	Full Carrier Toll Denied IntraLATA
FCTDINT	Full Carrier Toll Deny for International carriers
FRO	Sleeve Lead Control
FRS	Sleeve Leads For Public Fire Reporting System
GIAC	Group Intercom All Call
GIC	Group Intercom
HTL	Hot Line (see note)
IDND	International Do Not Disturb (see note)
ILR	International Line Restrictions (see note)
INDC	International No Double Connect (see note)
INTPIC	International Primary Carrier (see note)
ISA	Integrated Services Access
LPIC	Local Primary IntraLATA Carrier
LSPAO	Local Service Provider Account Owner
LSPSO	Local Service Provider Switch Owner
MBK	Make Busy Key
MPB	Multiparty Bridge
MWT	Message Waiting
NFA	Network Facility Access
OBS	Call Observing
OUTWT	OUTWATS
Note: This feature is available in international loads only.	

LENFEAT (continued)**Available features within table LENFEAT (Sheet 4 of 5)**

Abbreviation	Feature description
PIC	Primary InterLATA Carrier
PREANSOP	Preanswer Outpulsing
QCK	Quick Conference Key
RMB	Random Make Busy
RMP	Remote Meter Pulsing
RMS	Remote Register, SD Point
RSUS	Requested Suspension
SACB	Subscriber-Activated Call Blocking
SCL	Speed Calling Long List
SCS	Speed Calling Short List
SC1	Speed Calling - Short List
SC2	Speed Calling - Long List
SCMP	Series Completion Line Option
SEC	Secondary
SETMODEL	Set Model
SHU	Stop Hunt
SLQ	Single Line Queuing
SLU	Subscribers Line Usage
SMDI	Simplified Message Desk Interface
SOR	Station Origination Restriction
SPB	Special Billing Number
SSAC	Station-specific Authorization Code
SUPR	Supervisor
Note: This feature is available in international loads only.	

LENFEAT (continued)**Available features within table LENFEAT (Sheet 5 of 5)**

Abbreviation	Feature description
TBO	Terminating Billing Option
UCDSD	Uniform Call Distribution Signal Distribution Point
VMEADN	Voice Mail Easy Access Directory Number
WLN	Warm Line (see note)
WML	Warm Line
WUCR	Wake-up Call Reminder
3WCPUB	Three-way Calling with Public Announcement
Note: This feature is available in international loads only.	

The following table lists the options that have datafill specified in table LENLINES.

Options with input data specified in table LENLINES (Sheet 1 of 16)

Abbreviation	Name of option
AAB	Automatic Answer Back
AAK	Answer Agent Key
ACB	Automatic Call Back
ACBAMA	ACB Automatic Message Accounting
ACD	Automatic Call Distribution
ACDNR	Automatic Call Distribution Not Ready
ACOU	Additional Call Offering Unconditional
ACRJ	Anonymous Caller Rejection
ADSI	Analog Display Services Interface
AEMK	Answer Emergency Key
AFC	Additional Functional Calls
Note: This option is available in international loads only.	

LENFEAT (continued)**Options with input data specified in table LENLINES (Sheet 2 of 16)**

Abbreviation	Name of option
AIN	Advanced Intelligent Network
AINDN	Advanced Intelligent Network Directory Number
AIOD	Automatic Identified Outward Dialing
ALI	Automatic Location Identification
AMATEST	AMA Test Line
APS	Attendant Pay Station (see note)
AR	Automatic Recall
ARDDN	Automatic Recall Dialable Directory Number
ASL	Agent Status Lamp
ASP	Auxiliary Service Position
ATC	Time and Charge Services on 1+ Calls
AUD	Automatic Dial
AUL	Automatic Line
AUTODISP	Automatic Display
AUTOHF	Automatic Hands-Free
AVT	AUTOVON Termination
BC	Basic Call
BCLID	Bulk Calling Line Identification
BLF	Busy Lamp Field
BLOCKCDN	Block Called Party Number
BLOCKCGN	Block Calling Party Number
BNN	Bridged Night Number
CAG	Call Agent
Note: This option is available in international loads only.	

LENFEAT (continued)**Options with input data specified in table LENLINES (Sheet 3 of 16)**

Abbreviation	Name of option
CALLOG	Call Logging
CBE	Centralized Branch Exchange
CBI	Channel Bus Interface
CBU	Call Forward Busy Unrestricted
CCSA	Common Control Switching Arrangement
CCV	Calling Card Validation
CCW	Cancel Call Waiting
CDC	Coin Detection Circuit
CDE	Common Desktop Environment
CDI	Compact Disc Interactive
CDT	Custom IBN Disconnect Treatment
CDU	Call Forward Don't Answer Unrestricted
CD0_CD9	Circle Digit
CFB	Call Forwarding Busy
CFBL	Call Forwarding Busy Line
CFD	Call Forwarding Don't Answer
CFDA	Call Forward Don't Answer
CFDVT	Call Forward Don't Answer Variable Timer
CFF	Call Forwarding Fixed
CFGD	Call Forward Group Don't Answer
CFGDA	Call Forwarding Group Don't Answer
CFI	Call Forward Intragroup
CFK	Call Forward Universal per Key
Note: This option is available in international loads only.	

LENFEAT (continued)**Options with input data specified in table LENLINES (Sheet 4 of 16)**

Abbreviation	Name of option
CFMDN	Call Forward MADN
CFRA	Call Forwarding Remote Access
CFS	Call Forward Station
CFTB	Call Forward Timed for CFB
CFTD	Call Forward Timed for CFD
CFU	Call Forwarding Universal
CFW	Call Forward
CFX	Call Forwarding (Universal/Busy/Don't Answer)
CHD	Call Hold
CHG	Charging Message
CIF	Controlled Interflow
CIR	Circular Hunting
CLF	Malicious Call Hold
CLI	Calling Line Identification
CLID	Calling Line Identification
CLSUP	Call Supervisor Key
CMCF	Control Multiple Call Forwarding
CMD	Circuit Mode Data
CNAB	Calling Name Delivery Blocking
CNAMD	Calling Name Display
CND	Calling Number Delivery
CNDB	Calling Number Delivery Blocking
CNDBAMA	CNDB Automatic Message Accounting
Note: This option is available in international loads only.	

LENFEAT (continued)**Options with input data specified in table LENLINES (Sheet 5 of 16)**

Abbreviation	Name of option
CNF	Station Controlled Conference
COD	Cutoff on Disconnect
COT	Customer Originated Trace
COTAMA	COT Automatic Message Accounting
CPH	Called Party Hold
CPR	Call Processing Record
CPU	Call Pickup
CSMI	Call Screening, Monitoring, and Intercept
CTD	Carrier Toll Denied
CTW	Call Transfer Warning Tone
CUG	Closed User Group
CUSD	Call Forward Usage Sensitive Denial
CWD	Call Waiting Denied
CWI	Call Waiting Intragroup
CWO	Call Waiting Originating
CWR	Call Waiting Ringback
CWT	Call Waiting
CWX	Call Waiting Exempt
CXR	Call Transfer
DASK	Display Agents Status Key
DCBI	Directed Call Pick-up with Barge-in
DCBX	Directed Call Pick-up Barge-in Exempt
DCF	Denied Call Forwarding
Note: This option is available in international loads only.	

LENFEAT (continued)**Options with input data specified in table LENLINES (Sheet 6 of 16)**

Abbreviation	Name of option
DCPK	Directed Call Park
DCPU	Directed Call Pickup
DCPX	Directed Call Pickup Exempt
DDN	Dialable Number Delivery
DENY	Deny Option
DENYCSMI	Deny Call Screening, Monitoring, and Intercept
DENYISA	Deny Integrated Services Access
DENYU3WC	Deny Three-Way Calling-Usage Sensitive
DGT	Digitone
DIN	Denied Incoming
DISCTO	Disconnect Timeout
DISP	Display
DLH	Distributed Line Hunt
DND	Do Not Disturb
DNH	Directory Number Hunt
DOR	Denied Originating Service
DPR	Detailed Privacy Recording
DQS	Display Queue Status
DQT	Display Queue Threshold
DRCW	Distinctive Ringing/Call Waiting
DRING	Distinctive Ring
DROP	Drop
DSCWID	Spontaneous Call Waiting Identification with Disposition
Note: This option is available in international loads only.	

LENFEAT (continued)**Options with input data specified in table LENLINES (Sheet 7 of 16)**

Abbreviation	Name of option
DTBI	Denied Toll Break In (see note)
DTM	Denied Terminating Service
EBO	Executive Busy Override
EBX	Executive Busy Override Exempted
ECM	Extended Call Management
EHLD	EKTS Hold
ELN	Essential Line Service
EMK	Emergency Key
EMW	Executive Message Waiting
ESL	Emergency Service (911) with Ringdown Trunk
EWAL	Enhanced WATS Access Line
EWALI	Enhanced WATS Access Line IntraLATA
EXT	Extension
FAA	Forced Agent Availability
FANI	Flexible Automatic Number Identification
FC	Flexible Calling
FCDNTER	Full Carrier Toll Denied InterLATA
FCDNTRA	Full Carrier Toll Denied IntraLATA
FCTDINT	Full Carrier Toll Deny for International carriers
FDN	International Subscriber Feature Denied (see note)
FGA	Billing Record for Feature Group A (FGA) Call
FIG	Ignore Flash
FNO	Free Number Originating
Note: This option is available in international loads only.	

LENFEAT (continued)**Options with input data specified in table LENLINES (Sheet 8 of 16)**

Abbreviation	Name of option
FNT	Free Number Terminating
FRO	Sleeve Lead Control
FRS	Sleeve Leads for Public Fire Reporting System
FSR	Frequency selective ringing
FRTKEYS	Feature Keys
FRTGRP	Feature Group
FTS	File Transfer Server
GIAC	Group Intercom All Call
GIC	Group Intercom
GLTC	Ground Loop Test Cancel
GND	Group Do Not Disturb
HF	Hands-free
HFMUTE	Hands-free Mute
HLD	Call Hold
HOT	Hotel
HTL	Hot Line
ICM	Intercom
IECFB	Internal External Call Forward Busy
IECFD	Internal External Call Forward Don't Answer
ICR	International Toll Call (see note)
ICT	International Call Transfer (see note)
ILB	Inhibit Line Busy
ILNR	International Last Number Redialing (see note)
Note: This option is available in international loads only.	

LENFEAT (continued)**Options with input data specified in table LENLINES (Sheet 9 of 16)**

Abbreviation	Name of option
IMB	Inhibit Make Busy
INDC	International No Double Connect (see note)
INSPECT	Inspect
INT	Intercom
INTPIC	International Primary Carrier (see note)
IRR	Inhibit Ring Reminder
ISA	Integrated Services Access
ISADEACT	Integrated Services Access Deactivate
ISDNAMA	ISDN Automatic Message Accounting
ITD	InterLATA Toll Denied
KSH	Keypad Short Hunt
KSMOH	Key Set Music on Hold
LCDR	Local Call Detail Record
LDSA	Long Distance Signal Activate
LDSO	Long Distance Signal Option
LDSR	Long Distance Signal Ring
LDST	Logical Data Set Trailer
LDTSPAP	Line Appearance on a Digital Trunk PSAP
LINEPSAP	Line PSAP
LNR	Last Number Redial Associated with Set
LNRA	Last Number Redial
LOB	Line of Business
LOD	Line Overflow to Directory Number
Note: This option is available in international loads only.	

LENFEAT (continued)**Options with input data specified in table LENLINES (Sheet 10 of 16)**

Abbreviation	Name of option
LOR	Line Overflow to Route
LPIC	Local Primary IntraLATA Carrier
LVM	Leave Message
LRA	Line Reversal on Answer
LRS	Line Reversal on Seizure (see note)
MAN	Manual Service
MBK	Make Busy Key
MBSCAMP	Meridian Business Set Station Camp-On
MCH	Malicious Call Hold
MCT	Malicious Call Trace (see note)
MDN	Multiple Directory Number
MDNNAME	MDN Member Name
MEMDISP	MDN Member Display
MLAMP	MADN Lamp
MLH	Multiline Hunt
MMI	Man-machine Interface
MPB	Multiparty Bridge
MPH	Multi-position Hunt
MREL	MADN Release
MRF	MADN Ring Forward
MRFM	MADN Ring Forward Manual
MSB	Make Set Busy
MSBI	Make Set Busy Intragroup
Note: This option is available in international loads only.	

LENFEAT (continued)**Options with input data specified in table LENLINES (Sheet 11 of 16)**

Abbreviation	Name of option
MTR	Metering
MUTE	Mute
MWIDC	Message Waiting Indication
MWQRY	Message Waiting Query
MWT	Message Waiting
M518	Meridian M518 Add-on Module
M522	22-Button Add-On for Meridian M5000 Series
M536	Meridian M536 Add-on Module
Name	Name Display
NDC	No Double Connection
NFA	Network Facility Access
NGTSRVCE	Night Service
NHT	No Line Hazard Test
NLT	No Line Insulation Test
NOH	No Receiver Off-hook Tone
NPGD	negate Partial Ground Start Diagnostics
NRS	Network Resource Selector
NSDN	Night Service Directory Number
NUMC	Number of Calls Allowed
OBS	Call Observing
OFR	Overflow register
OFS	Overflow register software
OLS	Originating Line Selection
Note: This option is available in international loads only.	

LENFEAT (continued)**Options with input data specified in table LENLINES (Sheet 12 of 16)**

Abbreviation	Name of option
ONI	Operator Number Identification
OUTWT	OUTWATS
PBL	Private Business Line
PCWT	Precedence Call Waiting Terminating
PF	Programmable Function
PFCNTL	Programmable Function Control
PFDSP	Programmable Function Display
PIC	Primary InterLATA Carrier
PILOT	Pilot Directory Number
PLP	Plug Up
PMC	Printer Meter Check (see note)
PPL	Private Virtual Network (PV) Priority Line
PREANSOP	Preanswer Outpulsing
PRH	Primary Hunt
PRK	Call Park
PRL	Privacy Release
PROVCGS	Provisioning Calling Party Subaddress
PROVHLC	Provisioning High-Level Compatibility
PROVLLC	Provisioning Low-Level Compatibility
PR1	Priority1 (see note)
PR2	Priority 2 (see note)
QBS	Query Busy Station
QCK	Quick Conference Key
Note: This option is available in international loads only.	

LENFEAT (continued)**Options with input data specified in table LENLINES (Sheet 13 of 16)**

Abbreviation	Name of option
QTD	Query Time and Date
RAG	Ring Again (see note)
RCD	Reverse Coin Disposal
RCHD	Residential Call Hold
RCVD	Received Digits Billing
REASDSP	Reason Display
RLS	Release Message
RMB	Random Make Busy
RMP	Remote Meter Pulsing
RMR	Remote Message Register for Local Calls
RMS	Remote Register, SD point
RMT	Remote Message Register for Other Than Local Calls
RPA	Repeated Alert
RSP	Restricted Sent Paid
RSUS	Requested Suspension
SACB	Subscriber-activated Call Blocking
SBLF	Set-Based Lamp Field
SCA	Selective Call Acceptance
SCF	Selective Call Forwarding
SCL	Speed Calling Long List
SCMP	Series Completion Line Option
SCR	Selective Charge Recording (see note)
SCRJ	Selective Call Rejection
Note: This option is available in international loads only.	

LENFEAT (continued)**Options with input data specified in table LENLINES (Sheet 14 of 16)**

Abbreviation	Name of option
SCS	Speed Calling Short List
SCU	Speed Call User
SCWID	Spontaneous Call Waiting Identification
SC1	Speed Calling - Short List
SC2	Speed Calling - Long List
SC3	Speed Calling Long List (L50)
SDN	Secondary Directory Number
SDS	Station Detail Service
SDSDENY	Station Detail Service Deny
SDY	Line Study
SEC	Secondary
SETMODEL	Set Model
SFC	Single Functional Call
SHU	Stop Hunt
SKDISP	Soft Key Display
SL	Screening List
SLC	Signaling Link Code
SLQ	Single Line Queuing
SLU	Subscriber Line Usage
SLVP	Single Line Variety Package
SMDI	Simplified Message Desk Interface
SMDICND	SMDI Calling Number Delivery
SMDR	Station Message Detail Recording
Note: This option is available in international loads only.	

LENFEAT (continued)**Options with input data specified in table LENLINES (Sheet 15 of 16)**

Abbreviation	Name of option
SNR	Stored Number Redial
SOR	Station Origination Restriction
SORC	Station Origination Restrictions Controller
SPB	Special Billing Number
SPM	Subscriber Premises Meter (see note)
SRA	Single Rate Area
SSAC	Station-specific Authorization Code
STRD	Short Timed Release Disconnect
SUPPRESS	Suppress
SUPR	Supervisor
SUS	Suspended Service
SVCGRP	Service Group
TBO	Terminating Billing Option
TDN	Toll Denied
TDV	Toll Diversion
TERM	Terminator
TES	Toll Essential Service
TFO	Toll Fault Option
TLS	Terminating Line Selection
TME	Trunk module equipment
TRMBOPT	Terminating Billing Option on Hunt Group
WUC	International Wake-up Call (see note)
UCD	Uniform Call Distribution
Note: This option is available in international loads only.	

LENFEAT (continued)**Options with input data specified in table LENLINES (Sheet 16 of 16)**

Abbreviation	Name of option
UCDLG	UCD Login
UCDSD	UCD Signal Distribution Point
VMEADENY	Voice Mail Easy Access Deny
VMEADN	Voice Mail Easy Access Directory Number
VI	Voice Interface
WLN	Warm Line (see note)
WML	Warm Line
WUCR	Wake-up Call Reminder
XFER	Remote Data Polling System
3WC	Three-way Calling
3WCPUB	Three-way Calling with Public Announcement
6WC	Six-way Calling (see note)
Note: This option is available in international loads only.	

Loading and changing data

The following error message appears if an attempt is made to datafill this table using the table editor:

Protected table, use SERVORD to change.

This error message was added for the NA005 release in accordance with feature AN1653 (Enforcement of SERVORD).

All additions, deletions, and changes must be entered using the Service Order System (SERVORD). For more information, refer to the *SERVORD Reference Manual*.

Restrictions

A remote digital terminal (RDT) related tuple can be added to this table only if field CARDCODE in table LNINV is set to RDTLS, RDTLSG, or RDTCON.

LENFEAT (continued)

When an RDT-related tuple is entered in this table, the system prompts for the RDT line equipment number (LEN) format.

Datafill sequence and implications

The following tables must be datafilled after table LENFEAT.

- LENLINES
- OPTCTL
- BANDSETS
- OCCNAME
- AIODGRP
- SCGRP
- SDGRP
- TRIGGRP
- TRIGITM

You must enter the local service provider name in table LSPINFO before you define LSPSO data in table LENFEAT.

Table size

Memory is allocated dynamically for this table.

Table history

MMP14

Subfield FTCODE (Feature Access Code) added to feature WML for feature Warm Line Interaction with Octothorpe Translation.

NA012

Removed information about XXTRIG.

NA011

FCTDINT feature added within table LENFEAT in accordance with AF7749.

NA010

SERVORD entries automatically update Table LENFEAT: for the local service provider (LSP) switch owner (SO) option. The LSPSO option assigns a Local Service Provider to a DN.

LENFEAT (continued)

NA009

The following changes were made to table LENFEAT in this release:

- Added CFFPOVR feature to table LENFEAT in accordance with AF7259.
- SERVORD entries automatically update Table LENFEAT: for the local service provider (LSP) account owner (AO) option. The LSPAO option allows subscribers to specify an LSP account owner. They can also specify if a line is native, unbundled, or resold.

NA007

The following changes were made to table LENFEAT in this release:

- The Enhanced WATS Access Line IntraLATA (EWALI) feature was added to table LENFEAT in accordance with AF6479.
- The International Primary Carrier feature was added to table LENFEAT in accordance with AF6483.

NA005

The following changes were made to table LENFEAT in this release:

- Error message information added to “Loading and changing data” section in accordance with the Enforcement of SERVORD feature.
- The AIN Enhanced Trigger-Related Data Operations feature isolates the first subfield in the DATA field into a separate field entitled FEATURE.

Supplementary information

This section provides information on error messages related to feature SDN in table LENFEAT.

Error messages for feature SDN

The following error messages occur on a tuple add or change. They indicate that the DN provided for the secondary DN (SDN) is not currently unassigned and routed to blank DN (field BLDN) in table DNINV. Only currently unassigned numbers routed to blank DN (BLDN) can be used as Teen Service SDNs.

```
SDN <sdn number> MUST BE BLDN IN TABLE DNINV  
SDN <sdn number> NOT A VALID DN FOR SDN
```

The following error message can occur on any tuple update. It indicates that the DN for the SDN does not exist in table DNINV. If the update is the assignment of a new SDN or a change to an existing SDN, the DN is probably not valid for the office.

```
FAILED TO READ DN TABLE FOR SDN <sdn number>
```

LENFEAT (continued)

The following error message can occur on a tuple change or delete. It indicates that the SDN assigned in table LENFEAT does not have the expected corresponding entry in table DNINV. This discrepancy can be due to corrupted information in table DNINV, table LENFEAT, or both.

TABLE ERROR - TABLE DNINV DATA INVALID

The following error message can occur on any tuple update. It indicates a problem in updating table DNINV. Table DNINV is corrupted or has some other error.

FAILED TO UPDATE DN TABLE - SDN <sdn number>

The following error messages can occur on a tuple add. They indicate that the LEN to which the SDN data feature is being added cannot support SDN. The only valid peripheral modules (PM) for the SDN feature are line concentrating module (LCM), remote LCM (RLCM), line module (LM), and SCM-100 PMs with code20, code30, frequency selective or superimposed ringing.

LINE HAS INVALID RINGING TYPE FOR SDN
LINE HAS INVALID PERIPHERAL TYPE FOR SDN

The following error message can occur on any tuple update. It indicates that the DN for <sdn number> does not have a valid NXX for the serving numbering plan area (SNPA) of the PDN. SDNs must be valid DNs and must have the same SNPA as their primary DN (PDN).

INVALID NXX FOR SDN <sdn number>

The following message can occur on any tuple update and indicates that at least one of the SDNs entered is not a seven-digit number. SDNs must be seven digits or \$.

SDNS MUST BE 7DIGITS

The following error message can occur on a tuple add or change. It indicates that field DATA contains \$ for all three SDNs. If no SDNs are assigned to a line, the tuple must be deleted from table LENFEAT.

AT LEAST ONE SDN MUST BE DEFINED

The following error message can occur when positioning on or listing a LENFEAT tuple that contains the SDN data feature. It indicates that the internal data describing the <sdn number> for this tuple cannot be translated

LENFEAT (end)

into a DN. The line data for this line is possibly corrupted for the line associated with this tuple.

```
UNABLE TO READ SDN <sdn number>
```

The following error message may indicate corruption in one or both of tables LENFEAT and DNINV. If problems are encountered during the update of a tuple for the SDN data feature, an attempt is made to back out of any changes made so far during that update so that the tuple can be returned to its original value. Table DNINV must be accessed to restore the call forwarding choice for SDN3. If problems occur during this access, the restored call forwarding choice for SDN3 defaults to N, and the following message is displayed:

```
RESTORED SDN CFW CHOICE FOR SDN3 MAY BE INCORRECT
```

The following error message may indicate corruption in one or both of tables LENFEAT and DNINV. When reading a tuple in table LENFEAT for the SDN data feature, the corresponding tuple in table DNINV must also be accessed to obtain SDN Call Forwarding (CFW) choices. The following message is displayed if problems occur during this access:

```
UNABLE TO GET CFW CHOICE FOR SDN <sdn number> (N IS DEFAULT)
```

The following error message can occur on any tuple update. It indicates that at least one of the SDNs entered contains characters other than 0 through 9. An SDN cannot contain letters; it must be seven digits or \$.

```
SDN DNS MAY ONLY CONTAIN DIGITS 0 THROUGH 9
```

The following error message occurs when a tuple is added or changed. It indicates that an attempt was made to add SDN2, SDN3, or more than one SDN to a LEN having the SDN feature and using FSR.

```
SDN <SDN number> INVALID ONLY SDN1 ALLOWED WITH FREQUENCY  
SELECTIVE RINGING
```


LENFEAT feature ADL

Abbreviated Dialing (ADL) (international loads only)

The feature Abbreviated Dialing (ADL) provides the subscriber with a short method of dialing local, national, and international numbers. The subscriber can define abbreviated dialing lists, replacing as many as 16 digits with 1 or 2 digits.

Each target number is associated with a unique abbreviated dialing code. The abbreviated dialing code consists of one or two digits and the lists are defined in lengths of 10, 30, 60, or 100 abbreviated codes. Lists of length 10 require a one-digit code, and the other three lists require a one- or two-digit code. The operating company controls the allocation of the list length for a subscriber through the use of table LENFEAT. The subscriber is able to program the contents of the allocated list. Information about each list type is shown in the following table.

Information on list types

List type	Capacity	Abbreviated code	Maximum number of list types for each switching unit
AL10	10	0 to 9	8192
AL30	30	0 to 29	4096
AL60	60	0 to 59	2048
AL100	100	0 to 99	1024

LENFEAT feature ADL (continued)**Datafill**

The following table lists the datafill for table LENFEAT feature ADL.

Field descriptions (Sheet 1 of 2)

Field	Subfield or refinement	Entry	Explanation and action
LEN		see subfields	<p>Line equipment number. This field defines the physical location of the equipment that is connected to a specific telephone line.</p> <p>Because field LEN is common to more than 60 tables, it is documented in a single section to avoid unnecessary duplication. Refer to section "Common entry field LEN" for a complete description of field LEN and associated subfields.</p> <p>Field LEN consists of subfields SITE, FRAME, UNIT, DRAWER or LSG, SHELF, SLOT, and CIRCUIT.</p>
PTY		R1 to R5, S, or T1 to T5	Party. This field describes the type and number of subscribers assigned to the feature. Enter the party to which the feature belongs.
DF		ADL	Feature. Enter ADL for the Abbreviated Dialing feature.
FEATURE		ADL	Feature. Enter ADL for the Abbreviated Dialing feature.
DATA		see subfields	Data. This field consists of subfields DF and LISTTYPE. Separate each subfield with a single space.

LENFEAT feature ADL (end)

Field descriptions (Sheet 2 of 2)

Field	Subfield or refinement	Entry	Explanation and action
	DF	ADL	Feature. Enter ADL for the Abbreviated Dialing feature.
	LISTTYPE	AL10, AL30, AL60, or AL100	List type. This field describes the amount of codes allowed. Enter the type of abbreviated dialing: <ul style="list-style-type: none"> • AL10: subscriber can define up to 10 abbreviated codes • AL30: subscriber can define up to 30 abbreviated codes • AL60: subscriber can define up to 60 abbreviated codes • AL100: subscriber can define up to 100 abbreviated codes

Datafill example

The following example shows sample datafill for table LENFEAT feature ADL.

This example is datafilled for a line with the following attributes:

- The line with the feature is assigned to LEN 0 1 2 3 at the host switching unit.
- The line is single party.
- The data feature is ADL.
- The subscriber can have up to ten abbreviated dialing codes.

MAP display example for table LENFEAT feature ADL

LEN	PTY	DF	FEATURE	DATA
HOST 00 1 02 03	S	ADL	ADL	AL10

LENFEAT feature AIN

Advanced Intelligent Network (AIN)

The Advanced Intelligent Network (AIN) feature is assigned to lines that require AIN handling. AIN is an evolving, service-independent architecture that provides the capability for the operating company to create and modify telecommunication services to its subscribers quickly.

Information required for each line with feature AIN is listed below:

- If the line is remote, the site name of the remote location must be specified.
- The line equipment number (LEN) to which the line with the feature is assigned must be specified.
- The party of the line to which the feature is assigned must be specified.
- The data feature AIN must be specified.
- The AIN group name for the line must be specified or, for the trigger item data model, a vector of trigger item assignments must be specified..

Tuples for this feature are added to or deleted from table LENFEAT through the Service Order System (SERVORD).

Datafill

The following table lists the datafill for table LENFEAT feature AIN.

Field descriptions (Sheet 1 of 2)

Field	Subfield or refinement	Entry	Explanation and action
LEN		see subfields	<p>Line equipment number. This field defines the physical location of the equipment that is connected to a specific telephone line.</p> <p>Because field LEN is common to more than 60 tables, it is documented in a single section to avoid unnecessary duplication. Refer to section "Common entry field LEN" for a complete description of field LEN and associated subfields.</p> <p>Field LEN consists of subfields SITE, FRAME, UNIT, DRAWER or LSG, SHELF, SLOT, and CIRCUIT.</p>

LENFEAT feature AIN (continued)**Field descriptions (Sheet 2 of 2)**

Field	Subfield or refinement	Entry	Explanation and action
PTY		R1, T1, R2, T2, R3, T3, R4, T4, R5, T5, S	Party. This field describes the type and number of subscribers assigned to the feature.
DF		AIN	Data feature. Enter AIN for the Advanced Intelligent Network feature.
FEATURE		AIN	Feature. Enter AIN for the Advanced Intelligent Network feature.
AINGRP		alphanumeric (1 to 16 characters), or TIID	AIN group. Enter the AIN group name from table TRIGGRP. Enter TIID to datafill the trigger item provisioning model refinements that follow.
	TDP	1, 3, 4, 17, 19, 20, 30, 32, 33	Trigger detection point. Datafill the appropriate TDP.
	TINAME	alphanumeric vector (1 to 8 characters)	Trigger item name. Datafill the trigger items defined in table TRIGITM at the specified TDP.
	TRIGACT	ON, OFF	Trigger item assignment activation state code. Datafill the value ON to activate the trigger item identified by the TIID. Datafill the value OFF to deactivate the trigger item identified by the TIID.

Datafill example

The following example shows sample datafill for table LENFEAT feature AIN.

This example is datafilled for a line with the following attributes:

- The line with the feature is assigned to LEN 2 0 0 1 at the host switching unit.
- The line is single party.
- The data feature is AIN.
- The AIN group name is AINGRP1.

LENFEAT feature AIN (end)**MAP display example for table LENFEAT feature AIN, trigger group data model**

LEN	PTY	DF	FEATURE	AINGRP
HOST 02 0 00 01	S	AIN	AIN	AINGRP1

This example is for a line with the following attributes:

- The line with the feature is LEN 2 0 0 1 at the host switching unit.
- The line is single party.
- The data feature is AIN.
- The AIN group name TIID (the trigger item data model is in use).
- The line has trigger item 1 OFFIMM subscribed and turned off.
- The line has trigger item 19 OCPB subscribed and turned on.

MAP display example for table LENFEAT feature AIN, trigger item data model

LEN	PTY	DF	FEATURE	AINGRP
HOST 02 0 00 01	S	AIN	AIN TIID ((1 OFFIMM OFF) (19 OCPB ON) \$)	

LENFEAT feature AIOD

Auto-identified Outward Dialing (AIOD)

The Auto-identified Outward Dialing (AIOD) feature is assigned to lines that require a means of billing outgoing calls from a private branch exchange (PBX) to an individual PBX station.

Information required for each line with feature AIOD is listed below:

- If the line is remote, the site name of the remote location must be specified.
- The line equipment number (LEN) to which the line with the feature is assigned must be specified.
- The party of the line to which the feature is assigned must be specified.
- The data feature AIOD must be specified.
- The AIOD group to which the line belongs must be specified.
- An arbitrary number (TOKEN) that is unique over all lines and trunks using the specified AIOD group must be specified.

A tuple is automatically added or deleted in table AIODTKN as the AIOD line feature is added or deleted for lines in table LENFEAT. Tuples are added to or deleted from table LENFEAT through the Service Order System (SERVORD).

Datafill

The following table lists the datafill for table LENFEAT feature AIOD.

Field descriptions (Sheet 1 of 2)

Field	Subfield or refinement	Entry	Explanation and action
LEN		see subfields	Line equipment number. This field defines the physical location of the equipment that is connected to a specific telephone line. Because field LEN is common to more than 60 tables, it is documented in a single section to avoid unnecessary duplication. Refer to section "Common entry field LEN" for a complete description of field LEN and associated subfields.
LEN (continued)			Field LEN consists of subfields SITE, FRAME, UNIT, DRAWER or LSG, SHELF, SLOT, and CIRCUIT.

LENFEAT feature AIOD (continued)**Field descriptions (Sheet 2 of 2)**

Field	Subfield or refinement	Entry	Explanation and action
PTY		R1 to R5, S, or T1 to T5	Party. This field describes the type and number of subscribers assigned to the feature. Enter the party to which the feature belongs.
DF		AIOD	Feature. Enter AIOD for the Auto-identified Outward Dialing feature.
FEATURE		AIOD	Feature. Enter AIOD for the Auto-identified Outward Dialing feature.
DATA		see subfields	Data. This field consists of subfields DF and AIODTKN.
	DF	AIOD	Feature. Enter AIOD for the Auto-identified Outward Dialing feature.
	AIODTKN	see refinements	Auto-identified Outward Dialing token. This field consists of refinements GROUP and TOKEN. Separate each subfield with a single space.
	GROUP	alphanumeric (1 to 16 characters)	Auto-identified Outward Dialing group. Enter the AIOD group name. The name must have been datafilled previously in table AIODGRP.
	TOKEN	0 to 9999	Token. Enter an arbitrary number that is unique over all lines and trunks using the AIOD group specified in field GROUP.

Datafill example

The following example shows sample datafill for table LENFEAT feature AIOD.

This example is datafilled for a line with the following attributes:

- The line with the feature is assigned to LEN 2 0 7 4 at the host switching unit.
- The line is single party.
- The data feature is AIOD.
- The AIOD group name is BNRCAR.
- The TOKEN is 0.

LENFEAT feature AIOD (end)

MAP display example for table LENFEAT feature AIOD

LEN	PTY	DF	FEATURE	DATA
HOST 02 0 07 04	S	AIOD	AIOD	BNRCAR 0

LENFEAT feature AUL

Automatic Line (AUL)

The Automatic Line (AUL) feature is assigned if manual originating service to a specific directory number (DN), either local or toll, is required. With the AUL feature, the called DN is automatically outpulsed when the calling party's receiver is taken off-hook.

Information required for each line with feature AUL is listed below:

- If the line is remote, the site name of the remote location must be specified.
- The line equipment number (LEN) must be specified.
- The party of the line to which the feature is assigned must be specified.
- The data feature AUL must be specified.
- The 1- to 15-digit number that is outpulsed when a call originates from the line must be specified.

Datafill

The following table lists the datafill for table LENFEAT feature AUL.

Field descriptions (Sheet 1 of 2)

Field	Subfield or refinement	Entry	Explanation and action
LEN		see subfields	<p>Line equipment number. This field defines the physical location of the equipment that is connected to a specific telephone line.</p> <p>Because field LEN is common to more than 60 tables, it is documented in a single section to avoid unnecessary duplication. Refer to section "Common entry field LEN" for a complete description of field LEN and associated subfields.</p> <p>Field LEN consists of subfields SITE, FRAME, UNIT, DRAWER or LSG, SHELF, SLOT, and CIRCUIT.</p>
PTY		S	Party. Enter the party to which the feature belongs. The only valid entry for this field is S (single party).
DF		AUL	Feature. Enter AUL for the Automatic Line feature.
FEATURE		AUL	Feature. Enter AUL for the Automatic Line feature.

LENFEAT feature AUL (end)

Field descriptions (Sheet 2 of 2)

Field	Subfield or refinement	Entry	Explanation and action
DATA		see subfields	Data. This field consists of subfields DF and DN. Separate each subfield with a single space.
	DF	AUL	Feature. Enter AUL for the Automatic Line feature.
	DN	numeric (1 to 15 digits)	Directory number. Enter the number to be outpulsed when the line goes off-hook.

Datafill example

The following example shows sample datafill for table LENFEAT feature AUL.

This example is datafilled for a line with the following attributes:

- The line with the feature is assigned to LEN 0 1 4 5 at the host switching unit.
- The line is single party.
- The data feature is AUL.
- The number that is automatically outpulsed when the calling party receiver is taken off-hook is 737-8222.

MAP display example for table LENFEAT feature AUL

LEN	PTY	DF	FEATURE	DATA
HOST 00 1 04 05	S	AUL	AUL	7378222

LENFEAT feature BCLID

Bulk Calling Line Identification (BCLID)

The Bulk Calling Line Identification (BCLID) feature allows an MDC line, plain ordinary telephone service (POTS) line, Residential Enhanced Services (RES) line, Uniform Call Distribution Group (UCD), Hunt Group, or Private Branch Exchange (PBX) subscriber with a Direct Inward Dial (DID) dial plan to receive call-related information on incoming calls.

The call-related data transmitted to the customer premises equipment (CPE) consists of the date and time the call was received, the calling and called directory numbers (DN), the called line status, the calling line type, and a call forward indicator. This data is transmitted in ASCII (American Standard Code for Information Interchange) format to the CPE through a dedicated Bell 202A compatible data channel. The CPE collects the information for immediate use or storage. Since the data is transmitted over a data channel, the transmission of data to the CPE does not affect the completion of calls to or from the subscriber.

Table BCLIDGRP must be datafilled before this feature can be used in table LENFEAT.

Datafill

The following table lists the datafill for table LENFEAT feature BCLID.

Field descriptions (Sheet 1 of 2)

Field	Subfield or refinement	Entry	Explanation and action
LEN		see subfields	<p>Line equipment number. This field defines the physical location of the equipment that is connected to a specific telephone line.</p> <p>Because field LEN is common to more than 60 tables, it is documented in a single section to avoid unnecessary duplication. Refer to section "Common entry field LEN" for a complete description of field LEN and associated subfields.</p> <p>Field LEN consists of subfields SITE, FRAME, UNIT, DRAWER or LSG, SHELF, SLOT, and CIRCUIT.</p>
PTY		S	<p>Party. Enter the party to which the feature belongs. The only valid entry for this field is S (single party).</p>

LENFEAT feature BCLID (end)

Field descriptions (Sheet 2 of 2)

Field	Subfield or refinement	Entry	Explanation and action
DF		BCLID	Feature. Enter BCLID for the Bulk Calling Line Identification data feature.
FEATURE		BCLID	Feature. Enter BCLID for the Bulk Calling Line Identification data feature.
DATA		see subfields	Data. This field consists of subfields DF and BCGRPNUM. Separate each subfield with a single space.
	DF	BCLID	Feature. Enter BCLID for the Bulk Calling Line Identification data feature.
	BCGRPNUM	0 to 2047	Bulk calling group number. Enter the Bulk Calling Group Number defined in table BCLIDGRP for this line. This number defines the Bulk Calling line features that are associated with this particular line.

Datavfill example

The following example shows sample datavfill for table LENFEAT feature BCLID.

The line with the feature is assigned to the line equipment number 0 1 4 5 at the host switching unit. The BCLID feature is assigned, with 9 as the bulk calling group number.

MAP display example for table LENFEAT feature BCLID

LEN	PTY	DF	FEATURE	DATA
HOST 00 1 04 05	S	BCLID	BCLID	9

LENFEAT feature CDA

Call Diversion (international loads only)

Call Diversion allows a subscriber to request rerouting of all calls to an announcement, a message-taking operator, or another subscriber. The available call diversion features follow:

- **Call Diversion to Announcement (CDA)**

The Call Diversion to Announcement (CDA) feature enables the diversion of calls to an announcement. Subscribers can activate, deactivate and program this feature from their telephone.
- **Call Diversion on Busy (CDB)**

The Call Diversion on Busy (CDB) feature enables the diversion of calls to a directory number (DN) or a route only when the line to which CDB is assigned is off-hook (busy). Subscribers can activate, deactivate, program, and query the CDB feature.
- **Call Diversion Fixed (CDF)**

The Call Diversion Fixed (CDF) feature enables the diversion of calls to another subscriber's telephone number. The target number is specified and programmed by the operating company. This ensures that the target number cannot be accidentally reprogrammed by the subscriber. Subscribers can activate, deactivate, and query the CDF feature.
- **Call Diversion to Operator (CDO)**

The Call Diversion to Operator (CDO) feature is assigned to international lines with Absent Subscriber Intercept (ASI) service. This feature enables call diversion to an ASI operator while a subscriber is absent. Subscribers can activate and deactivate this feature from their telephone.
- **Call Diversion to Subscriber (CDS)**

The Call Diversion to Subscriber (CDS) feature enables the diversion of calls to another subscriber's telephone number. Subscribers can activate, deactivate, and program this feature from their telephone.

Features CDA, CDB, CDF, CDO, and CDS must be assigned to the line by the operating company prior to usage by the subscriber. The operating company has the capability of charging the subscriber a fixed amount for assignment, operating company programming, subscriber activation, querying, and usage of these features (see table FEATCHG).

Special dial tone is provided to subscribers with any one of the diversion features active on the line.

LENFEAT feature CDA (continued)

Information required for each line with a Call Diversion feature is listed below:

- If the line is remote, the site name of the remote location must be specified.
- The line equipment number (LEN) must be specified.
- The party of the line to which the feature is assigned must be specified.
- The data feature CDA, CDB, CDF, CDO, or CDS must be specified.
- The state of the feature, active or inactive, must be specified.
- If the call is diverted, no activation data (NIL), a DN, a short DN (SDN), or a route (RTE) in table IBNRTE or OFRT must be specified.
- Other diversion information dependent on the diversion of the call (for example, the forwarded DN, the short DN, the translation system, and translation table name or index to table OFRT) must be specified.

Features CDA, CDB, CDF, CDO, and CDS are assigned through the Service Order System (SERVORD) by the operating company. The features are assigned with a state of active or inactive. If the state is active, the operating company must ensure that valid routing information is provided for the diversion.

Office parameters used with Call Diversion

The following office parameters are used with Call Diversion:

- Office parameter CDIV_SDN_XLA in table OFCVAR specifies the instance of table FTCODE that is used for call diversion using the SDN selector. This default is used whenever call diversion, CDA, CDB, CDF, CDO, or CDS, is added with selector SDN using SERVORD, and whenever NIL is specified for XLASYS or XLANAME and table control is used to add CDA, CDB, CDF, CDO, or CDS with the SDN selector.
- Office parameter CDS_DN_CHECK in table OFCVAR specifies the instance of table FTCODE that is used to screen the CDS destinations. Destinations that are not admissible are datafilled into the instance of table FTCODE specified in office parameter CDS_DN_CHECK.
- Office parameter CDO_ROUTE in table OFCVAR specifies the default route that is used for the RTE selector. This default is used whenever CDO is added with the RTE selector using SERVORD.

Note: Office parameters CDIV_SDN_XLA and CDS_DN_CHECK must be datafilled prior to using the DN or SDN selectors to make SERVORD changes. Once these office parameters have been datafilled, a restart is

LENFEAT feature CDA (continued)

required for the changes to take effect. If invalid translations data is entered in either parameter, a restart resets the office parameter back to NIL.

Restrictions and limitations

The following limitations and restrictions apply to Call Diversion:

- The ability to make calls from the telephone being diverted is not affected.
- Call Diversion is not available on coin phones or multiparty lines.
- Hunt groups can have a maximum of one call diverted at any time.
- To limit the takedown time for a call, a maximum of five call diversion legs for each office is allowed. A busy tone is given after the fifth leg.
- Features CDA, CDB, CDF, CDO, and CDS cannot be assigned to a line with feature FNT.
- Toll diversions are not charged.
- No meter pulses are sent to a line that has the Call Diversion feature active.
- The number of calls with Call Diversion active in an office is limited by the number of call diversion extension blocks (office parameter CDIV_EXT_BLOCKS in table OFCENG). If no blocks are available, a call that attempts to divert is routed to treatment.
- Valid translations must be specified for a diversion. Otherwise, any call to that number is routed to treatment.
- If a different Call Diversion feature is already active on the line, any attempt to activate CDO, CDB, CDF, CDA, or CDS results in a failure of the activation sequence.
- If any Call Diversion feature is already active, activation with programming of that feature updates the programming information. Activation without programming on an already active Call Diversion has no effect on the feature.
- Use of subscriber procedures on Call Diversion is allowed during a two-port call after a flash or register recall, subject to restrictions imposed by other features on the line.
- When using the DN selector, a maximum of 18 digits can be programmed for the target number.
- Call Diversion legs created using the RTE selector are not metered, as metering is not provided over trunks.
- A call diversion loop occurs if a call is diverted back to a line already involved in that call. For example, A to B to C to A is a call diversion loop. Loops are prevented at call processing time by allowing a maximum of one

LENFEAT feature CDA (continued)

call for each line to be diverted at any time. An attempt at a call diversion loop results in busy treatment.

- All Call Diversion activation data survives both warm and cold restarts. If the office data is reloaded from tape, the journal file must be run to restore the Call Diversion data to the state it was in prior to the reload.

Datafill

The following table lists the datafill for table LENFEAT feature CDA.

Field descriptions (Sheet 1 of 2)

Field	Subfield or refinement	Entry	Explanation and action
LEN		see subfields	Line equipment number. This field defines the physical location of the equipment that is connected to a specific telephone line. Because field LEN is common to more than 60 tables, it is documented in a single section to avoid unnecessary duplication. Refer to section "Common entry field LEN" for a complete description of field LEN and associated subfields. Field LEN consists of subfields SITE, FRAME, UNIT, DRAWER or LSG, SHELF, SLOT, and CIRCUIT.
PTY		S	Party. Enter the party to which the feature belongs. The only valid entry for this field is S (single party).
FEATURE		CDA, CDB, CDF, CDO, or CDS	Feature. Enter the feature abbreviation of the required feature.
DATA		see subfields	Data. This field consists of subfields DF, STATE, SEL, and refinements dependent on the entry in field SEL. Separate each subfield with a single space.

LENFEAT feature CDA (continued)**Field descriptions (Sheet 2 of 2)**

Field	Subfield or refinement	Entry	Explanation and action
DF		CDA, CDB, CDF, CDO, or CDS	Feature. Enter the feature abbreviation of the required feature: <ul style="list-style-type: none"> • CDA (Call Diversion to Announcement) • CDB (Call Diversion on Busy) • CDF (Call Diversion Fixed) • CDO (Call Diversion to Operator) • CDS (Call Diversion to Subscriber)
STATE		inactive or active	State. Enter the state of the feature, active or inactive. If state is active, valid routing information must also be provided.
SEL		NIL, RTE, DN or SDN	Selector. If there is no activation data, enter NIL and datafill no refinements. If the call is to be diverted to a DN, enter DN and datafill refinement FWDDN. If the call is to be diverted to an announcement (a short DN, up to 2 digits), enter SDN and datafill refinements SDN, XLASYS, and XLANAME. If the call is to be diverted to a specified route, enter RTE and datafill refinements RTE, TABNAME and INDEX; or RTE, TABNAME, XLASYS and XLANAME.

SEL = DN

If the entry in subfield SEL is DN, datafill refinement FWDDN as described in the following table.

Field descriptions for conditional datafill

Field	Subfield or refinement	Entry	Explanation and action
	FWDDN	numeric (up to 18 digits) or N	Forwarding directory number. Enter the DN that the translation system is to use to begin translation. If the state is inactive, N can be entered to avoid entering any digits.

LENFEAT feature CDA (continued)

SEL = SDN

If the value of subfield SEL is SDN, datafill refinements SDN, XLASYS, and XLANAME as described the following table. Separate each field with a single space.

Field descriptions for conditional datafill

Field	Subfield or refinement	Entry	Explanation and action
	SDN	numeric (2 digits)	Short directory number. Enter the short DN, maximum two digits, that the translation system uses to begin translation.
	XLASYS	AC, AM, CT, DN, FA, FT, NSC, OFC, PX, or NIL	Translation system. Enter the translation system where translation (using the digits specified in field SDN) is to start.
	XLANAME	alphanumeric (1 to 8 characters)	Translation name. Enter the translation name of the table instance within field XLASYS to which the call is to route.

SEL = RTE

If the entry in subfield SEL is RTE, datafill refinement TABNAME and additional refinements as described in the following table. Separate each field with a single space.

Field descriptions for conditional datafill (Sheet 1 of 2)

Field	Subfield or refinement	Entry	Explanation and action
	TABNAME	IRTE TOPS ITOPS OFRT OFR2 OFR3 OFR4 or SERVICE	Table name. Enter the route table to which the call is required to proceed. If the call is required to route to an international route table, enter IRTE and datafill refinements XLASYS, XLANAME, and RTEREF. If the call is not required to route to an international route table, datafill this entry field to indicate where the call is to route, and datafill refinement INDEX.

LENFEAT feature CDA (continued)**Field descriptions for conditional datafill (Sheet 2 of 2)**

Field	Subfield or refinement	Entry	Explanation and action
	INDEX	0 to 1023	Office route table index. If the entry in field TABNAME is ITOPS, OFRT, OFR2, OFR3, OFR4, or SERVICE, enter the index into the table to which the call is required to proceed. If the entry in field TABNAME is ITOPS, the index range is limited to 0-127. If the entry in field TABNAME is SERVICE, this range is limited to 0-99.
	XLASYS	AC, AM, CT, DN, FA, FT, NSC, OFC, PX, or NIL	Translation system. If the entry in field TABNAME is IRTE, enter the translation system to which the call is required to route.
	XLANAME	alphanumeric (1 to 8 characters)	Translation name. If the entry in field TABNAME is IRTE, enter the translation name of the table instance within field XLASYS to which the call is required to route.
	RTEREF	0 to 1023	Route reference. If the entry in field TABNAME is IRTE, enter the index into the route table specified in field XLANAME to which the call is required to route.

Datafill example

The following example shows sample datafill for table LENFEAT feature CDA.

This example is datafilled for a line with the following attributes:

- The line with the feature is assigned to LEN 1 0 0 29 at the switching unit.
- The line is single party.
- The data feature is CDO.
- The call is forwarded to a route in table IRTE.
- The translation system is PX.
- The table instance in translation system PX is LCLAXLA, and the index into the route table specified is 20.

LENFEAT feature CDA (end)

MAP display example for table LENFEAT feature CDA

LEN	PTY	DF	FEATURE	DATA
HOST 01 0 00 29				
	S	CDO	CDO	ACTIVE RTE IRTE PX
LCLAXLA 20				

LENFEAT feature CFFPOVR

Call Forward Fraud Prevention Override (CFFPOVR)

The CFFPOVR line option lets an operating company override dial plan restrictions. CFFPOVR applies to the residential enhanced services (RES), centrex and plain ordinary telephone service (POTS) agents programmable call forwarding types. All or part of the dial plan codes are overridden. A list with the line option specifies the overridden dial plan code restrictions. When the line option is present on the line, specified dial plan codes are not blocked.

CFFPOVR also specifies the number of times a subscriber can program a forward-to directory number (DN). This programming occurs within a fixed time period. The TIME_PERIOD field in office parameter CFFP_CONTROL defines the time period. CFFPOVR also displays the programming attempts counter with a QDN or QLEN command.

Datafill

The following table lists the datafill for table LENFEAT feature CFFPOVR.

Field descriptions

Field	Subfield or refinement	Entry	Explanation and action
DF		CFFPOVR	Data feature. This field specifies the feature assigned to the line. The specified feature is CFFPOVR.
FEATURE		CFFPOVR	Feature. This field specifies the feature assigned to the line. The specified feature is CFFPOVR.
DATA		see subfields	Data. This field consists of subfields DPLNCODE and LIMIT for CFFPOVR. These subfields are described as follows.
	DPLNCODE	IDDD, FGB, INTERTOL, INTRATOL, COIN, I500, I700, I800, I900, N11, NPANXX	Dial plan code. This field specifies restricted dial plan codes overridden with CFFPOVR.
	LIMIT	0 through 30 or OFFICE_DEF AULT	Limit. This field specifies a limit to the number of times a forward-to DN is programmed. This forward-to DN has a restricted dial plan overridden by CFFPOVR.

LENFEAT feature CFFPOVR (end)

Datavill example

The following example shows sample datavill for table LENFEAT feature CFFPOVR.

MAP display example for table LENFEAT feature CFFPOVR

LEN	PTY	DF	FEATURE	DATA
HOST 00 0 03 03	S	CFFPOVR	CFFPOVR	IDDD 20

LENFEAT feature CLI

Calling Line Identification (CLI)

The Calling Line Identification (CLI) feature is assigned to lines that require calling line identification. When assigned, the feature records information about all local and toll calls that terminate on the subscriber's line. This information, which is recorded on the DMS switch log system, includes the time and date that the call was originated, the directory number (DN) of the calling party, the location of the calling party of the switching unit (for calls local to the switching unit), and the incoming trunk number (if the calling party is external to the switch).

Information required for each line with feature CLI is listed below:

- If the line is remote, the site name of the remote location must be specified.
- The line equipment number (LEN) to which the line with the feature is assigned must be specified.
- The party of the line to which the feature is assigned must be specified.
- The data feature CLI must be specified.

Datafill

The following table lists the datafill for table LENFEAT feature CLI.

Field descriptions (Sheet 1 of 2)

Field	Subfield or refinement	Entry	Explanation and action
LEN		see subfields	<p>Line equipment number. This field defines the physical location of the equipment that is connected to a specific telephone line.</p> <p>Because field LEN is common to more than 60 tables, it is documented in a single section to avoid unnecessary duplication. Refer to section "Common entry field LEN" for a complete description of field LEN and associated subfields.</p> <p>Field LEN consists of subfields SITE, FRAME, UNIT, DRAWER or LSG, SHELF, SLOT, and CIRCUIT.</p>
PTY		R1 to R5, S, or T1 to T5	Party. This field describes the type and number of subscribers assigned to the feature. Enter the party to which the feature belongs.

LENFEAT feature CLI (end)

Field descriptions (Sheet 2 of 2)

Field	Subfield or refinement	Entry	Explanation and action
DF		CLI	Feature. Enter CLI for the Calling Line Identification feature.
FEATURE		CLI	Feature. Enter CLI for the Calling Line Identification feature.
DATA		see subfield	Data. This field consists of subfield DF.
	DF	CLI	Feature. Enter CLI for the Calling Line Identification feature.

Datafill example

The following example shows sample datafill for table LENFEAT feature CLI.

This example is datafilled for a line with the following attributes:

- The line with the feature is assigned to LEN 1 0 7 4 at the host switching unit.
- The line is a TIP-1 party of a two-party line.
- The data feature is CLI.

MAP display example for table LENFEAT feature CLI

LEN	PTY	DF	FEATURE	DATA
HOST 01 0 07 04	T1	CLI	CLI	CLI

LENFEAT feature CSDDS

Circuit Switched Digital Data Service (CSDDS)

The Circuit Switched Digital Data Service (CSDDS) feature is assigned to circuit-switched digital data lines. Information required for each line with the CSDDS feature is listed below:

- If the line is remote, the site name of the remote location must be specified.
- The line equipment number (LEN) to which the line with the feature is assigned must be specified.
- The party of the line to which the feature is assigned must be specified.
- The data feature CSDDS must be specified.
- The physical location of the digital data link circuit must be specified.

Datafill

The following table lists the datafill for table LENFEAT feature CSDDS.

Field descriptions (Sheet 1 of 2)

Field	Subfield or refinement	Entry	Explanation and action
LEN		see subfields	Line equipment number. This field defines the physical location of the equipment that is connected to a specific telephone line. Because field LEN is common to more than 60 tables, it is documented in a single section to avoid unnecessary duplication. Refer to section "Common entry field LEN" for a complete description of field LEN and associated subfields. Field LEN consists of subfields SITE, FRAME, UNIT, DRAWER or LSG, SHELF, SLOT, and CIRCUIT.
PTY		S	Party. Enter the party to which the feature belongs. The only valid entry for this field is S (single party).
DF		CSDDS	Feature. Enter CSDDS for the Circuit Switched Digital Data Service feature.
FEATURE		CSDDS	Feature. Enter CSDDS for the Circuit Switched Digital Data Service feature.
DATA		see subfields	Data. This field consists of subfields DF and DDLC. Separate each subfield with a single space.

LENFEAT feature CSDDS (continued)

Field descriptions (Sheet 2 of 2)

Field	Subfield or refinement	Entry	Explanation and action
	DF	CSDDS	Feature. Enter CSDDS for the Circuit Switched Digital Data Service feature.
	DDL	see refinements	Digital data line circuit. This field consists of refinements TMTYPE, TMNO, and TMCCTNO.
	TMTYPE	MTM	Trunk module type. Enter MTM (maintenance trunk module) for the trunk module type on which the digital data line circuit card is located. Any entry outside the range indicated for this field is invalid.
	TMNO	0 to 2047	Trunk module number. Enter the trunk module number assigned to the MTM on which the digital data line circuit card is located.
	TMCCTNO	0 to 22 (even circuits only)	Trunk module circuit number. Enter the trunk circuit number on the MTM to which the digital data link card is assigned. Any entry outside the range indicated for this field is invalid.

Datafill example

The following example shows sample datafill for table LENFEAT feature CSDDS.

This example is datafilled for a line with the following attributes:

- The line with the feature is assigned to LEN 1 1 3 7 in the host switching unit.
- The line is single party.
- The data feature is CSDDS.
- The physical location of the digital data link circuit is circuit number 16 on MTM number 1.

LENFEAT feature CSDDS (end)

MAP display example for table LENFEAT feature CSDDS

LEN	PTY	DF	FEATURE	DATA
HOST 01 1 03 07	S	CSDDS	CSDDS	CSDDS MTM 1

LENFEAT feature CTD

Carrier Toll Denied (CTD)

The Carrier Toll Denied (CTD) feature is assigned to lines to deny access to selected carriers. A line can be denied access to 1 through 21 carriers through the use of this feature.

If subscribers make a direct distance dialed (DDD) call to a carrier that they are denied access to, the call is blocked and sent to Inter-LATA Restricted (ILRS) treatment. Any operator assisted (OA) or INWATS (800) call is allowed to go through. The identification digits outputted to the carrier indicate that this line is toll denied.

If a line is toll denied to a carrier, the call is either blocked and sent to ILRS treatment, or is allowed to go through. The decision to block a call to a carrier in the CTD list is based on the following factors:

- All CTD calls to a carrier marked feature group C (FGC) in table OCCINFO are sent to ILRS treatment.
- If the entry for a carrier in table OCCINFO specifies that no automatic number identification (ANI) digits require outputting, a CTD call is always sent to ILRS treatment.
- If neither of the preceding conditions apply, the call is let through or sent to ILRS treatment as follows:
 - (10XXX) 17/10D=> ILRS treatment (direct dialed [DD])
 - (10XXX) 07/10D=> call let through (operator assisted [OA])
 - (10XXX) 011CCNN=> ILRS treatment (direct dialed)
 - (10XXX) 01 CCNN=> call let through (operator assisted)
 - 10XXX#=> ILRS treatment (direct dialed)
10XXX0 call let through
 - 950-1XXX=> ILRS treatment (direct dialed)
 - 18004D=> call let through (direct dialed)
 - (10XXX) 1NPA5554D=> ILRS treatment (direct dialed)

Note: (10XXX) means carrier digits are optional.

A call from a line with feature CTD to a carrier that is not in the list of denied carriers is not affected in any way. The information digits do not identify the line as toll denied. Any intra-LATA call handled by the operating company is not affected by feature CTD in any way.

LENFEAT feature CTD (continued)

Note that the inter- and intra-LATA status of a call to a carrier does not affect the decision to block the call. Both inter- and intra-LATA calls are either sent to ILRS treatment or allowed to complete using the Special Toll Denied II digits.

If a call from a line with feature CTD to a carrier in the CTD list is allowed to complete, the II digits indicate that the line is toll denied. These information digits take priority over all others unless the originating line cannot be identified in the DMS-100 switch. This occurs on ANI failures and on calls where an ANI test is not done (as on some multiparty lines).

The existing toll denied (TDN) option in table LENLINES remains unchanged; all DD and OA calls made using operating company or carrier toll facilities are blocked if the TDN option is present. Feature CTD is incompatible with both the TDN and the toll diversion (TDV) options. Service orders do not allow these options to exist on the same line as feature CTD.

The TDN option applies only to lines found in table LENLINES. It does not apply to Integrated Business Network (IBN) lines or to incoming private branch exchange (PBX) trunks. In these cases the corresponding pretranslator must be modified so that access to the required carriers is not possible.

There is a limit of 21 carriers to which a line can be denied access. If access to more than 21 carriers must be denied, a line is required to have its service suspended (SUS option) or have calls to all carriers blocked (primary inter-LATA carrier (PIC) set to NILC and CHOICE set to N on PIC option).

Information required for each line with feature CTD is listed below:

- If the line is remote, the site name of the remote location must be specified.
- The line equipment number (LEN) to which the line with the feature is assigned must be specified.
- The party of the line to which the feature is assigned must be specified.
- The data feature CTD must be specified.
- A list of up to 21 carrier names must be specified.

The feature is added or deleted using the Service Order System (SERVORD) or by making the appropriate change in table LENFEAT. The user is prompted for a list of denied carriers and enters a \$ when the list is complete.

Table OCCNAME must be datafilled before table LENFEAT. The carrier names must be datafilled prior to being put into the CTD list.

LENFEAT feature CTD (continued)**Datafill**

The following table lists the datafill for table LENFEAT feature CTD.

Field descriptions

Field	Subfield or refinement	Entry	Explanation and action
LEN		see subfields	Line equipment number. This field defines the physical location of the equipment that is connected to a specific telephone line. Because field LEN is common to more than 60 tables, it is documented in a single section to avoid unnecessary duplication. Refer to section "Common entry field LEN" for a complete description of field LEN and associated subfields. Field LEN consists of subfields SITE, FRAME, UNIT, DRAWER or LSG, SHELF, SLOT, and CIRCUIT.
PTY		R1 to R5, S, or T1 to T5	Party. This field describes the type and number of subscribers assigned to the feature. Enter the party to which the feature belongs.
DF		CTD	Feature. Enter CTD for the Carrier Toll Denied feature.
FEATURE		CTD	Feature. Enter CTD for the Carrier Toll Denied feature.
DATA		see subfields	Data. This field consists of subfields DF and CARRIERS. Separate each subfield with a single space.
	DF	CTD	Feature. Enter CTD for the Carrier Toll Denied feature.
	DN	alphanumeric (1 to 16 characters)	Carrier toll denial list. Enter the names of up to 21 carriers, as defined in table OCCNAME, that are toll denied for the line. Separate each carrier with a blank space. If less than 21 carriers are required, end the list with a \$ (dollar sign).

Datafill example

The following example shows sample datafill for table LENFEAT feature CTD.

LENFEAT feature CTD (end)

This example is datafilled for a line with the following attributes:

- The line with the feature is assigned to LEN 0 0 0 27 at the switching unit.
- The line is single party.
- The data feature is CTD.
- The names of the toll denied carriers are CARR1 and CARR2.

MAP display example for table LENFEAT feature CTD

LEN	PTY	DF	FEATURE	DATA
HOST 00 0 00 27	S	CTD	CTD	CARR1 CARR2

LENFEAT feature ESG

Emergency Service Group (ESG) (international loads only)

The Emergency Service Group (ESG) feature is used by Emergency Service Groups such as police, fire departments, and ambulance service.

Lines with feature ESG and with the Line Overflow to Route (LOR) option assigned to the hunt group have the following capabilities:

- They can be hunt group members.
- Special treatment can occur before audible ringing is applied to the calling subscriber.
- They have the capability of called subscriber control.
- They can provide a flash-activated printout of the calling subscriber's number.
- If the calling subscriber hangs up, they have the capability of reringing.
- They have the capability of handling only those calls that are within an emergency service area.

Feature capabilities

Feature capabilities for feature ESG are described in the sections that follow.

Hunt group member

The ESG feature can be assigned only to the pilot member of an existing distributed line hunt (DLH) group or multiline hunt (MLH) group.

Non-hunt-group member lines cannot have the ESG feature assigned to them. If ESG is assigned to the pilot, all members of the hunt group have ESG capabilities.

Special treatment before ringing

Before ringing is applied to the emergency service group, one of the following possible treatments occurs:

- A silent delay, datafillable in the range of 0 to 5 s, is applied to the calling subscriber's line.
- A recorded announcement, telling the calling subscriber that an emergency service group has been reached, is connected to the calling subscriber's line.
- No treatment is applied to the calling subscriber's line.

The purpose of an interim treatment is to give the calling subscriber a chance to hang up before ringing is applied. This makes it possible for subscribers of

LENFEAT feature ESG (continued)

misdialed calls to hang up before terminating on an ESG attendant, and provides time for prank callers to reconsider their actions.

The treatment is datafilled on a hunt-group basis by means of the Service Order System (SERVORD) at a MAP terminal.

Overflow to operator if all lines busy

Line Overflow to Route (LOR) provides overflow to a route if all lines of the hunt group are busy. If overflow to an operator is desired, the pilot member of the hunt group can be assigned LOR and the route can translate to an operator.

Called subscriber control

Calls terminating to an ESG attendant have called subscriber control, which makes it possible for the connection to the calling subscriber to be maintained. This applies for intra-exchange calls. Incoming calls over trunks do not have called subscriber control.

Flash-activated printout of calling subscriber's number

If the calling subscriber's number is required, the ESG attendant can flash. When the attendant flashes, the calling subscriber's number prints at the exchange. Every time a flash is made, the calling subscriber's number is printed.

When the ESG attendant flashes, log ESG100 is generated. For intra-office calls, this log contains the subscriber's number. For interoffice calls, this log contains the common language location identifier (CLLI) of the incoming trunk used by the subscriber.

Rering capability

A rering capability is provided for situations when the calling subscriber hangs up and the ESG attendant wants to reestablish the call. Since the ESG attendant has called subscriber control by virtue of being assigned as an ESG, the connection to the calling subscriber is maintained. If the ESG attendant's line remains off-hook for the time period that is datafilled (0 to 9 s), ringing is applied to the calling subscriber.

The rering time period is datafilled on an office basis in table OFCVAR by office parameter ESG_RERING_TIME. The rering capability can be disabled by datafilling ESG_RERING_TIME with a value of 0 (zero).

Note that the rering capability is present until the ESG attendant terminates the call by going on-hook. This allows for multiple rerings of the calling subscriber where necessary.

LENFEAT feature ESG (continued)

To monitor the usage of the rering capability, log ESG101 is generated whenever the ESG attendant rerings the calling subscriber. This log contains the call duration of the rering, and is generated upon completion of a successful rering call when the ESG attendant goes on-hook. A successful rering call is one in which the calling subscriber answers the rering.

The rering capability applies for intra-exchange calls. Metering is not active after the ESG attendant rerings the calling subscriber, and the rering times out according to office parameter RNG_TMEOUT_NO_OF_SECS in table OFCENG. Upon changing this office parameter, the PM must be manually busied and returned to service (commands BSY and RTS at the PM level of the MAP terminal). Otherwise, the rering times out according to the old value of the office parameter.

Emergency service areas

Emergency service areas define the police, fire, or ambulance service that must be called in accordance with the location of the calling subscriber. The emergency service areas can be established through line translations using the international translator name (field IXNAME) in table LINEATTR.

Billing information

There is no charge for the administration or usage of the ESG feature.

It is up to the operating company to determine whether calls to emergency service groups are metered. Because of their nature, emergency service groups can have a nil charge associated with calling them. The nil charge can be established through metering datafill or by using the Free Number Termination (FNT) option.

If calls to emergency service groups are metered, the calling subscriber's meter starts upon answer by the ESG attendant. The calling subscriber's meter stops when the calling subscriber goes on-hook. If the ESG attendant rerings the calling subscriber, metering is not restarted on the calling subscriber's line and metering is not started on the ESG attendant.

International Call Recording (ICR) records are generated only when the calling subscriber goes on-hook.

LENFEAT feature ESG (continued)**Datafill**

The following table lists the datafill for table LENFEAT feature ESG.

Field descriptions (Sheet 1 of 2)

Field	Subfield or refinement	Entry	Explanation and action
LEN		see subfields	<p>Line equipment number. This field defines the physical location of the equipment that is connected to a specific telephone line.</p> <p>Because field LEN is common to more than 60 tables, it is documented in a single section to avoid unnecessary duplication. Refer to section "Common entry field LEN" for a complete description of field LEN and associated subfields.</p> <p>Field LEN consists of subfields SITE, FRAME, UNIT, DRAWER or LSG, SHELF, SLOT, and CIRCUIT.</p>
PTY		R1 to R5, S, or T1 to T5	Party. This field describes the type and number of subscribers assigned to the feature. Enter the party to which the feature belongs.
DF		ESG	Feature. Enter ESG for the Emergency Service Group feature.
FEATURE		ESG	Feature. Enter ESG for the Emergency Service Group feature.
DATA		see subfields	Data. This field consists of the subfields DF, TRTMNT, DELTIME, XLANAME and RTEREF. Separate each subfield with a single space.
	DF	ESG	Feature. Enter ESG for the Emergency Service Group feature.
	TRTMNT	DELAY, RTE, or NIL	<p>Special treatment of call. Enter the special treatment, DELAY, RTE or NIL, that must be applied before ringing the ESG attendant.</p> <p>If a silent delay from 0 to 5 s is required, enter DELAY and datafill refinement DELTIME.</p> <p>If the call must be routed to an announcement, enter RTE and datafill refinements XLANAME and RTEREF.</p>

LENFEAT feature ESG (end)

Field descriptions (Sheet 2 of 2)

Field	Subfield or refinement	Entry	Explanation and action
			If no special treatment is to be applied to the call before ringing the ESG attendant, enter NIL. No further datafill is required.
	DELTIME	0 to 5	Delay time. If the entry in field TRTMNT is DELAY, enter the length of the delay in seconds.
	XLANAME	alphanumeric (1 to 8 characters)	Translation name. If the entry in field TRTMNT is RTE, enter a valid translation name that was previously datafilled in table FTHEAD. The translation datafill must route to an announcement.
	RTEREF	0 to 1023	Route reference. If the entry in field TRTMNT is RTE, enter the index into table FTRTE to which the call is required to route against the entry in XLANAME.

Datafill example

The following example shows sample datafill for table LENFEAT feature ESG.

This example is datafilled for a line with the following attributes:

- The line with the feature is assigned to LEN 10 0 7 4 at the host switching unit.
- The line is single party.
- The data feature is ESG.
- A delay of 2 s is required before ringing the ESG attendant.

MAP display example for table LENFEAT feature ESG

LEN	PTY	DF	FEATURE	DATA
HOST 10 0 07 04	S	ESG	ESG	DELAY 2

LENFEAT feature ESL

Emergency Service (911) with Ringdown Trunk (ESL)

The Emergency Service (911) with Ringdown Trunk (ESL) feature is for lines that are assigned for emergency service on a ringdown circuit (line card). Information required for each line with feature ESL follows:

- If the line is remote, the site name of the remote location must be specified.
- The line equipment number (LEN) to which the line card is assigned must be specified.
- The party of the line to which the feature belongs must be specified.
- The data feature ESL must be specified.
- Receiver off-hook tone time (ROHTT)
The duration of the burst of receiver off-hook (ROH) tone, which the caller receives when the ESL flashes, must be specified. The purpose of this tone is to attract the attention of a caller who has left a handset off-hook. The talk path is reestablished after the burst.
- Integrity tone (INTGTONE)
The type of integrity tone required, dial tone or reorder, must be specified.
- Integrity tone time (INTTT)
The interval between when an ESL line is left off-hook and when an alarm is generated and a report (ESB OFF HOOK) is logged must be specified. When the handset is placed back on-hook another report (ESB ON HOOK) is logged, and if no other ESB lines are off-hook, the alarm is terminated.
- Switchhook status tone (SWSTNN)
This is the tone that the ESL receives when the caller's handset goes on-hook. LOW is a steady low tone. BUSY is 60 IPM (impulses per minute) busy tone.
- Fastflash (FASTFLSH)
This subfield is generally set to N (no) unless the emergency service bureau is equipped with an SP-1 console (or equivalent) that has the ability to generate a 100-ms flash, in which case it is set to Y (yes).
- Ringback (RNGBCK)
If this subfield is set to Y, the ESL is able to ring back a caller whose handset has gone on-hook or send ROH to an off-hook handset. This is done through the use of an on-hook - off-hook flash. If N is entered, the flash is ignored.
- Forced disconnect time (FDISCTIM)
This is the time delay between when a 2-s flash occurs and when a call is disconnected by the ESL going on-hook.

LENFEAT feature ESL (continued)**Datafill**

The following table lists the datafill for table LENFEAT feature ESL.

Field descriptions (Sheet 1 of 2)

Field	Subfield or refinement	Entry	Explanation and action
LEN		see subfields	<p>Line equipment number. This field defines the physical location of the equipment that is connected to a specific telephone line.</p> <p>Because field LEN is common to more than 60 tables, it is documented in a single section to avoid unnecessary duplication. Refer to section "Common entry field LEN" for a complete description of field LEN and associated subfields.</p> <p>Field LEN consists of subfields SITE, FRAME, UNIT, DRAWER or LSG, SHELF, SLOT, and CIRCUIT.</p>
PTY		S	Party. Enter the party to which the feature belongs. The only valid entry for this field is S (single party).
DF		ESL	Feature. Enter ESL for the Emergency Service Line feature.
FEATURE		ESL	Feature. Enter ESL for the Emergency Service Line feature.
DATA		see subfields	Data. This field consists of subfields ROHTT, INTGTONE, INTGTIME, SWHKTONE, FASTFLSH, RINGBACK and FDSCTIME.
	DF	ESL	Feature. Enter ESL for the Emergency Service Line feature.
	ROHTT	1 to 10	Receiver off-hook tone time. Enter the number of seconds that the receiver off-hook (ROH) tone is to be applied.
	INTGTONE	DIAL or REORDER	Integrity tone. Enter the type of integrity tone, dial tone or reorder.
	INTGTIME	10 to 1000	Integrity tone time. Enter the number of seconds for which the integrity tone (disconnect tone) is to be sounded prior to a fault being declared.

LENFEAT feature ESL (continued)**Field descriptions (Sheet 2 of 2)**

Field	Subfield or refinement	Entry	Explanation and action
	SWHKTONE	LOW or BUSY	Switch hook tone. Enter the type of tone to be sent to the emergency service bureau when the originator disconnects.
	FASTFLSH	Y or N	Fast flash. Enter Y (yes) if the emergency service bureau is equipped to generate a 100-ms flash. Otherwise enter N (no).
	RINGBACK	Y or N	Ring back. Enter Y if the emergency service bureau can ring back the caller. Otherwise enter N.
	FDSCTIME	0 to 40	Forced disconnect timing. Enter the time delay, in seconds, between when the emergency service bureau goes on-hook and when the previous caller, whose handset is off-hook, is disconnected.

Datafill example

The following example shows sample datafill for table LENFEAT feature ESL.

This example is datafilled for a line with the following attributes:

- The line with the feature is assigned to LEN 0 0 4 7.
- The line is single party.
- The data feature is ESL.
- The ROH tone is applied for 5 s.
- Dial tone is specified for the integrity tone.
- Integrity tone is applied for 5 s.
- Low tone is provided for switch hook status.
- The emergency service bureau is equipped to provide a 100-ms flash and ring back caller.
- The fast disconnect time is 5 s.

LENFEAT feature ESL (end)

MAP display example for table LENFEAT feature ESL

LEN	PTY	DF	FEATURE	DATA
HOST 00 0 04 07	S	ESL	ESL	ESL 05 DIAL 0005 LOW Y Y 05

LENFEAT feature EWAL

Enhanced WATS Access Line (EWAL)

The Enhanced WATS Access Line (EWAL) feature provides the ability to assign multiple carriers to an enhanced Wide Area Telephone Service (WATS) line.

The following information is required for each line with feature EWAL:

- if the line is remote, the site name of the remote location
- the line equipment number (LEN)
- the party of the line
- the data feature EWAL
- the treatment (UNOW) to which the line is routed
- whether the line is allowed SAC calls
- whether the line is allowed intra-LATA (local access and transport area) calls
- the band number that is assigned to a facility for billing records
- the WATS interexchange carrier that can be used with this facility, and the assigned allowable calling area (bandset) paired with each valid carrier

The EWAL feature enables the assignment of up to five carriers to a line. Associated with each carrier is a bandset name that provides the ability to screen WATS calls. The first carrier assigned to the line is the primary WATS interexchange carrier (WIC). All other carriers assigned to the line are accessed by dialing 10XXX.

Datafill

The following table lists the datafill for table LENFEAT feature EWAL.

Field descriptions (Sheet 1 of 3)

Field	Subfield or refinement	Entry	Explanation and action
LEN		see subfields	<p>Line equipment number. This field defines the physical location of the equipment that is connected to a specific telephone line.</p> <p>Because field LEN is common to more than 60 tables, it is documented in a single section to avoid unnecessary duplication. Refer to section "Common entry field LEN" for a complete description of field LEN and associated subfields.</p>

LENFEAT feature EWAL (continued)

Field descriptions (Sheet 2 of 3)

Field	Subfield or refinement	Entry	Explanation and action
			Field LEN consists of subfields SITE, FRAME, UNIT, DRAWER or LSG, SHELF, SLOT, and CIRCUIT.
PTY		R1 to R5, S, or T1 to T5	Party. This field describes the type and number of subscribers assigned to the feature. Enter the party to which the feature belongs.
DF		EWAL	Feature. Enter EWAL for the Enhanced WATS Access Line feature.
FEATURE		EWAL	Feature. Enter EWAL for the Enhanced WATS Access Line feature.
DATA		see subfields	Data. This field consists of subfields DF, TREAT, INTRALAT, SAC, BAND, and WICLIST. Separate each subfield with a single space.
	DF	EWAL	Feature. Enter EWAL for the Enhanced WATS Access Line feature.
	TREAT	UNOW	Treatment. Enter the Unauthorized OUTWATS Call treatment (UNOW).
	INTRALAT	Y or N	Intra-LATA. Enter Y (yes) if line allows intra-LATA calls. Otherwise, enter N (no).
	SAC	Y or N	Service access code. Enter Y if the line allows service access code calls. Otherwise, enter N.
	BAND	0 to 126	Band. Enter the band number assigned to the facility that is used in the billing record.
	WICLIST	see subfields	WATS inter-exchange carrier list. This field consists of subfields WIC and BANDSET, which can be repeated up to five times. If less than five carriers are required, end the list with a \$ (dollar sign).

LENFEAT feature EWAL (continued)**Field descriptions (Sheet 3 of 3)**

Field	Subfield or refinement	Entry	Explanation and action
	WIC	validcarrieror DEFAULT	WATS inter-exchange carrier. Enter the WATS carriers that can be used with this facility. Up to five carriers can be entered, the first of which is the primary WIC.
	BANDSET	alphanumeric (up to 8 characters)	Band set. Enter the allowable calling area as defined in table BANDSETS.

Datafill example

The following example shows sample datafill for table LENFEAT feature EWAL.

This example is datafilled for a line with the following attributes:

- The line with the feature is assigned to LEN 0 1 2 3 at the host switching unit.
- The line is single party.
- The data feature is EWAL.
- The line is routed to Unauthorized OUTWATS (UNOW) treatment upon dialing an out-of-band number.
- The line allows intra-LATA calls.
- The line allows services access code calls.
- The band number 9 is assigned to the facility for billing records.
- Five WATS interexchange carriers are used with this facility. The first carrier is the primary WIC. The assigned allowable calling area for each carrier is specified.

LENFEAT feature EWAL (end)

MAP display example for table LENFEAT feature EWAL

LEN	PTY	DF	FEATURE	DATA
HOST 00 1 02 03	S	EWAL	EWAL	UNOW Y Y 009 CARRIER_A INTERSTA CARRIER_B INTERSTA CARRIER_C XYZ CARRIER_D INTERSTA CARRIER_E INTERSTA

LENFEAT feature EWALI

Enhanced WATS Access Line for IntraLATA

The Enhanced WATS Access Line for IntraLATA (EWALI) feature provides the ability for Enhanced WATS (EWATS) customers to choose a presubscribed carrier network for intraLATA calls. This feature is assigned to POTS lines only with a line class code (LCC) of EOW (Enhanced Outward WATS) or ETW (Enhanced Two-Way WATS).

The EWALI feature contains a field LWICLIST, which has a maximum of five WIC and BANDSET combination names. The bandset name must be datafilled in table BANDSETS.

Datafill

The following table lists the datafill for table LENFEAT feature EWALI.

Field descriptions

Field	Subfield or refinement	Entry	Explanation and action
LEN		see subfields	<p>Line equipment number. This field defines the physical location of the equipment that is connected to a specific telephone line.</p> <p>Because field LEN is common to more than 60 tables, it is documented in a single section to avoid unnecessary duplication. Refer to section "Common entry field LEN" for a complete description of field LEN and associated subfields.</p> <p>Field LEN consists of subfields SITE, FRAME, UNIT, DRAWER, or LSG, SHELF, SLOT, and CIRCUIT.</p>
PTY		R1 to R5, S, or T1 to T5	Party. This field describes the type and number of subscribers assigned to the feature. Enter the party to which the feature belongs.
DF		EWALI	Data feature. Enter EWALI for the Enhanced WATS Access Line for IntraLATA feature.
FEATURE		EWALI	Feature. Enter EWALI for the Enhanced WATS Access Line for IntraLATA feature.
DATA		see subfields	Data. This field consists of subfields DF and LWICLIST.

LENFEAT feature EWALI (end)

Field descriptions

Field	Subfield or refinement	Entry	Explanation and action
	DF	EWALI	Data feature. Enter EWALI for the Enhanced WATS Access Line for IntraLATA feature.
	LWICLIST	see refinements	IntraLATA WATS interexchange carrier list. This field consists of refinements WIC and BANDSET. A maximum of five WIC and BANDSET combination names can be assigned. If less than five carriers are required, end the list with a \$ (dollar sign). The band set name must be datafilled in table BANDSETS.
	WIC	valid carrier or DEFAULT	WATS interexchange carrier. Enter the WATS carriers that can be used with this function. Up to five carriers can be entered, the first of which is the primary WIC. Tables OCCNAME and OCCINFO contain a list of valid carrier names.
	BANDSET	alphanumeric (up to 8 characters)	Band set. Enter the allowable calling area as defined in table BANDSETS.

Datavill example

The following example shows sample datafill for table LENFEAT feature EWALI.

MAP display example for table LENFEAT feature EWALI

LEN	PTY	DF	FEATURE	DATA
HOST 00 0 00 00	S	EWALI	EWALI	(car1 0thru2) (car2 0thru3) \$

LENFEAT feature FCTDINT

Full Carrier Toll Deny for International Carriers (FCTDINT)

The new line option FCTDINT applies to Plain Old Telephone Service (POTS) lines indirectly using SERVORD, which updates table LENFEAT.

FCTDINT applies to international call types 011+CC+NN and 10XXX/101XXXX+CC+NN, where

XXX/XXXX=carrier identification code
CC=country code digits
NN=national number digits

When FCTDINT is present, subscriber access regarding these international call types is either

- denied to all international carriers if no carriers are specified with the option
- allowed to specific international carriers (up to 21) if carriers are entered with the option

Datafill

The following table lists the datafill for table LENFEAT feature FCTDINT.

Field descriptions

Field	Subfield	Entry	Explanation and action
DF		FCTDINT	Data feature. This field specifies the feature assigned to the line. The specified feature is FCTDINT.
	FEATURE	FCTDINT	Feature. This field specifies the feature assigned to the line. The specified feature is FCTDINT.
	DATA	CARRIER	Data. This field consists of carriers. Enter a carrier name. 21 carriers may be entered.

Note: This information must be entered in SERVORD.

Datafill example

The following example shows sample datafill for table LENFEAT feature FCTDINT.

LENFEAT feature FCTDINT (end)

MAP display example for table LENFEAT feature FCTDINT

LEN	PTY	DF	FEATURE	DATA
HOST	02 1 06 21			
	S	FCTDINT	FCTDINT	(CARRIER1)\$

LENFEAT feature FRO

Sleeve Lead Control (FRO)

The Sleeve Lead Control (FRO) feature is assigned to lines with originating and terminating services that require sleeve lead control.

Information required for each line with feature FRO follows:

- if the line is remote, the site name of the remote location
- the line equipment number (LEN)
- the party of the line to which the feature belongs
- the data feature FRO
- the physical location of the signal distributor (SD) point required for control of sleeve lead (The SD point must belong to one of the SD groups assigned in table SDGRP.)

Datafill

The following table lists the datafill for table LENFEAT feature FRO.

Field descriptions (Sheet 1 of 2)

Field	Subfield or refinement	Entry	Explanation and action
LEN		see subfields	<p>Line equipment number. This field defines the physical location of the equipment that is connected to a specific telephone line.</p> <p>Because field LEN is common to more than 60 tables, it is documented in a single section to avoid unnecessary duplication. Refer to section "Common entry field LEN" for a complete description of field LEN and associated subfields.</p> <p>Field LEN consists of subfields SITE, FRAME, UNIT, DRAWER or LSG, SHELF, SLOT, and CIRCUIT.</p>
PTY		R1 to R5, S, or T1 to T5	Party. This field describes the type and number of subscribers assigned to the feature. Enter the party to which the feature belongs.
DF		FRO	Feature. Enter FRO for the Sleeve Lead Control feature.
FEATURE		FRO	Feature. Enter FRO for the Sleeve Lead Control feature.

LENFEAT feature FRO (continued)

Field descriptions (Sheet 2 of 2)

Field	Subfield or refinement	Entry	Explanation and action
DATA		see subfields	Data. This field consists of subfields DF and SDPOINT.
	DF	FRO	Feature. Enter FRO for the Sleeve Lead Control feature.
	SDPOINT	see subfields	Signal distributor point. This field consists of subfields TMTYPE, TMNO, TMCKTNO, POINT, and NORMALST.
	TMTYPE	MTM, RMM, or RSM	Trunk module type. If the line and signal distributor (SD) cards are located at the host switching unit, enter MTM (maintenance trunk module) as the trunk module type on which the SD card is mounted. If the line and signal distributor cards are located at a remote location, enter RSM (remote service module) or RMM (remote maintenance module) as the trunk module type on which the SD card is mounted. Any entry outside the range indicated for this field is invalid.
	TMNO	0 to 2047	Trunk module number. Enter the trunk module number assigned to the trunk module on which the SD card is mounted. The entry value range varies in accordance with the type of trunk module.
	TMCKTNO	0 to 29	Trunk module circuit number. Enter the trunk module circuit number to which the SD point belongs.
	POINT	0 to 6	Point. Enter the SD point within the trunk module circuit number.
	NORMALST	0 or 1	Normal state. Enter the normal state of the SD point. If the SD point is normally off or open, enter 0 (zero). If the SD point is normally on or closed, enter 1.

Datafill example

The following example shows sample datafill for table LENFEAT feature FRO.

LENFEAT feature FRO (end)

This example is datafilled for a line with the following attributes:

- The line with the feature is assigned to LEN 0 1 3 6 at remote site MERV.
- The line is single party.
- The data feature is FRO.
- The physical location of the SD point 4 is circuit 14 on remote service module (RSM) 0 (zero) at the remote location with the site name of MERV.

MAP display example for table LENFEAT feature FRO

LEN	PTY	DF	FEATURE	DATA
MERV 00 1 03 06	S	FRO	FRO	RSM 000 14 4 0

LENFEAT feature FRS

Sleeve Lead for Public Fire Reporting System (FRS)

The Sleeve Lead for Public Fire Reporting System (FRS) feature, which is assigned to fire, emergency reporting, and conference functions, provides an interface with TELLABS 291 systems. When a call is routed to a line with this feature, the signal distributor (SD) point assigned to the line operates and provides sleeve lead for the line. The ground is removed when the calling party's handset goes on-hook.

Information required for each line with feature FRS follows:

- if the line is remote, the site name of the remote location
- the line equipment number (LEN)
- the party of the line to which the feature is assigned
- the data feature FRS
- the physical location of the SD point required for control of sleeve lead (The SD must belong to one of the SD points assigned in table SDGRP.)

Datafill

The following table lists the datafill for table LENFEAT feature FRS.

Field descriptions (Sheet 1 of 2)

Field	Subfield or refinement	Entry	Explanation and action
LEN		see subfields	<p>Line equipment number. This field defines the physical location of the equipment that is connected to a specific telephone line.</p> <p>Because field LEN is common to more than 60 tables, it is documented in a single section to avoid unnecessary duplication. Refer to section "Common entry field LEN" for a complete description of field LEN and associated subfields.</p> <p>Field LEN consists of subfields SITE, FRAME, UNIT, DRAWER or LSG, SHELF, SLOT, and CIRCUIT.</p>
PTY		R1 to R5, S, or T1 to T5	Party. This field describes the type and number of subscribers assigned to the feature. Enter the party to which the feature belongs.
DF		FRS	Feature. Enter FRS for the Sleeve Lead with Public Fire Reporting System feature.

LENFEAT feature FRS (continued)**Field descriptions (Sheet 2 of 2)**

Field	Subfield or refinement	Entry	Explanation and action
FEATURE		FRS	Feature. Enter FRS for the Sleeve Lead with Public Fire Reporting System feature.
DATA		see subfields	Data. This field consists of subfields DF, RINGING, and SDPOINT.
	DF	FRS	Feature. Enter FRS for the Sleeve Lead with Public Fire Reporting System feature.
	RINGING	Y or N	Ringling switch. Enter Y (yes) if the phone set is required to ring when called with respect to a fire reporting system alarm. Otherwise, enter N (no).
	SDPOINT	see subfields	Signal distributor point. This field consists of subfields TMTYPE, TMNO, TMCKTNO, POINT, and NORMALST.
	TMTYPE	MTM, RMM, or RSM	Trunk module type. If the line and SD cards are located at the host switching unit, enter MTM (maintenance trunk module) as the trunk module type on which the SD card is mounted. If the line and SD cards are located at a remote location, enter RSM (remote service module) or RMM (remote maintenance module) as the trunk module type on which the SD card is mounted. Any entry outside the range indicated for this field is invalid.
	TMNO	0 to 2047	Trunk module number. Enter the trunk module number assigned to the trunk module on which the SD card is mounted. The entry value range varies in accordance with the type of trunk module.
	TMCKTNO	0 to 29	Trunk module circuit number. Enter the trunk module circuit number to which the SD point belongs.
	POINT	0 to 6	Point. Enter the SD point within the trunk module circuit number.
	NORMALST	0 or 1	Normal state. Enter the normal state of the SD point. If the SD point is normally off or open, enter 0. If the SD point is normally on or closed, enter 1.

LENFEAT feature FRS (end)

Datafill example

The following example shows sample datafill for table LENFEAT feature FRS.

This example is datafilled for a line with the following attributes:

- The line with the feature is assigned to LEN 0 1 3 6 at the host switching unit.
- The line is single party.
- The data feature is FRS.
- Point 3 of the SD group is physically located on circuit 14 on MTM 0 (zero) located at the host switching unit.

MAP display example for table LENFEAT feature FRS

LEN	PTY	DF	FEATURE	DATA
HOST 00 1 03 06	S	FRS	FRS	MTM 000 14 3 0

LENFEAT feature HTL

Hot Line (HTL) (international loads only)

The Hot Line (HTL) feature, which is present in international loads only, allows the subscriber to reach a predetermined terminating destination without dialing any digits. When the subscriber lifts the handset, the switch immediately sets up the path to the predetermined terminating target number. The feature and the target number are assigned by the operating company. The target number can be local, national, or international, or can be the number of an announcement or operator service.

Feature assignment, activation, and programming

This feature is assigned, activated, and programmed by the operating company upon a request from the subscriber. The subscriber must provide a directory number (DN) to be associated with the feature.

The assignment, activation, and programming of the HTL feature is accomplished through the use of the Service Order System (SERVORD). The HTL feature becomes active immediately after execution of the SERVORD transaction.

The subscriber can request a modification of the destination DN associated with the HTL feature. The operating company can respond to this request by reprogramming the subscriber's HTL feature with the new destination DN.

Feature deactivation

This feature is deactivated and deassigned by the operating company upon a request from the subscriber. The deactivation and deassignment is accomplished using SERVORD. The HTL feature is withdrawn from the subscriber immediately after execution of the SERVORD transaction.

Feature usage

To use the feature, the subscriber must lift the handset. Once the handset has been lifted, the switch sets up the connection to the predetermined destination DN. Only features ADL and WLN are incompatible with feature HTL. This feature cannot be associated with COIN lines.

Billing information

The HTL feature interacts with the DMS switch International Feature Metering (IFM) system, as well as with the regular metering system, in billing

LENFEAT feature HTL (continued)

the subscriber for the usage of this feature. A charge is incurred by IFM for the following actions:

- feature assignment

A charge is incurred by the initial assignment of the feature to the subscriber by the operating company.

- feature activation

A charge is incurred when the operating company changes the destination DN in response to a subscriber's request.

- feature usage

A feature usage charge is applied each time a call is made using the HTL feature.

All charges are datafillable in table FEATCHG and are charged to the feature meter. The subscriber is also billed for normal duration or distance-related charges whenever the call terminates on a chargeable DN. These charges are billed to regular meters.

Datfill

The following table lists the datfill for table LENFEAT feature HTL.

Field descriptions (Sheet 1 of 2)

Field	Subfield or refinement	Entry	Explanation and action
LEN		see subfields	<p>Line equipment number. This field defines the physical location of the equipment that is connected to a specific telephone line.</p> <p>Because field LEN is common to more than 60 tables, it is documented in a single section to avoid unnecessary duplication. Refer to section "Common entry field LEN" for a complete description of field LEN and associated subfields.</p> <p>Field LEN consists of subfields SITE, FRAME, UNIT, DRAWER or LSG, SHELF, SLOT, and CIRCUIT.</p>
PTY		S	Party. Enter the party to which the feature belongs. The only valid entry for this field is S (single party).
DF		HTL	Feature. Enter HTL for the Hot Line feature.

LENFEAT feature HTL (end)**Field descriptions (Sheet 2 of 2)**

Field	Subfield or refinement	Entry	Explanation and action
FEATURE		HTL	Feature. Enter HTL for the Hot Line feature.
DATA		see subfields	Data. This field consists of subfields DF and HTLDN. Separate each subfield with a single space.
	DF	HTL	Feature. Enter HTL for the Hot Line feature.
	HTLDN	numeric (1 to 18 digits)	Hot Line directory number. Enter the DN that is reached when the subscriber picks up the telephone handset. The entry must be a valid DN. Entries \$, N, B, C, D, E, F are not valid.

Datafill example

The following example shows sample datafill for table LENFEAT feature HTL.

This example is datafilled for a line with the following attributes:

- The line with the feature is assigned to LEN 1 0 0 30 at the switching unit.
- The line is single party.
- The data feature is HTL.
- Calls are forwarded to DN 612-345-6789.

MAP display example for table LENFEAT feature HTL

LEN	PTY	DF	FEATURE	DATA
HOST 01 0 00 30	S	HTL	HTL	HTL 6123456789

LENFEAT feature IDND

International Do Not Disturb (IDND) (international loads only)

With the International Do Not Disturb (IDND) feature, which is present in international loads only, the subscriber can divert calls to a preset terminator based on office parameter DND_ROUTE in table OFCVAR.

Feature assignment and activation

If office parameter CASUAL_FEATURES_OFF in table OFCOPT is set to Y (yes), IDND becomes a line feature. If it is set to N (no), IDND becomes a casual feature. The IDND feature can only be added to, changed in, or deleted from table LENLINES when office parameter CASUAL_FEATURES_OFF is set to Y. An assignment charge is applied when the operating company assigns IDND to a line. A further charge for activation is applied if IDND is assigned to the line as ACTIVE. No assignment or administration activation charges are applied if IDND is a casual feature.

IDND can be added, changed, or deleted by the operating company through the Service Order System (SERVORD) only if office parameter CASUAL_FEATURES_OFF is set to Y.

Datafill

The following table lists the datafill for table LENFEAT feature IDND.

Field descriptions (Sheet 1 of 2)

Field	Subfield or refinement	Entry	Explanation and action
LEN		see subfields	<p>Line equipment number. This field defines the physical location of the equipment that is connected to a specific telephone line.</p> <p>Because field LEN is common to more than 60 tables, it is documented in a single section to avoid unnecessary duplication. Refer to section "Common entry field LEN" for a complete description of field LEN and associated subfields.</p> <p>Field LEN consists of subfields SITE, FRAME, UNIT, DRAWER or LSG, SHELF, SLOT, and CIRCUIT.</p>
PTY		S	Party. Enter the party to which the feature belongs. The only valid entry for this field is S (single party).
DF		DND	Feature. Enter IDND for the International Do Not Disturb feature.

LENFEAT feature IDND (end)**Field descriptions (Sheet 2 of 2)**

Field	Subfield or refinement	Entry	Explanation and action
FEATURE		DND	Feature. Enter IDND for the International Do Not Disturb feature.
DATA		see subfields	Data. This field consists of subfields DF and STATE. Separate each subfield with a single space.
	DF	DND	Feature. Enter IDND for the International Do Not Disturb feature.
	STATE	ACTIVE or INACTIVE	State. Enter ACTIVE to activate the IDND feature so that calls are diverted to a preset terminator based on office parameter DND_ROUTE in table OFCVAR. Enter INACTIVE to deactivate the IDND feature so that calls are not diverted.

Datafill example

The following example shows sample datafill for table LENFEAT feature IDND.

This example is datafilled for a line with the following attributes:

- The line with the feature is assigned to LEN 1 0 0 20 at the switching unit.
- The line is single party.
- The data feature is IDND.
- The state of the feature is active.

MAP display example for table LENFEAT feature IDND

LEN	PTY	DF	FEATURE	DATA
HOST 01 0 00 20	S	IDND	IDND	ACTIVE

LENFEAT feature ILR

International Line Restrictions (ILR) (international loads only)

The International Line Restrictions (ILR) feature, which is present in international loads only, is assigned to international lines to restrict outgoing calls for a particular subscriber according to the class of restriction assigned. Once the feature has been assigned to the line by the operating company, the subscriber can activate or deactivate any of the restrictions.

Information required for each line with feature ILR follows:

- If the line is remote, the site name of the remote location must be specified.
- The line equipment number (LEN) must be specified.
- The party of the line to which the feature is assigned must be specified.
- The data feature ILR must be specified.
- The class of restriction must be specified. This restriction class must be one of the following:
 - DABE: Deny all calls except calls to emergency numbers. All calls are blocked, except those that are of class Emergency.
 - DAI: Deny all international calls. All international calls are blocked, whether dialed directly or through an international operator.
 - DIDD: Deny international direct dial calls. All calls are blocked except local, national, and operator-assisted international calls.
 - DNI: Deny national and international calls. All calls are blocked other than local calls and calls to emergency numbers.
 - DNID: Deny national and international direct dial calls. All calls are blocked that are not to the international operator, to local, or to emergency numbers.
 - NIL: No calls blocked. ILR is not assigned to the line, or ILR is assigned but not activated.

A call that is made on a line with any of the above restrictions (other than NIL) is routed to treatment ILRR if the call is being made to a restricted destination.

Subscribers can activate or deactivate call restrictions on their own line. Each subscriber is required to enter a password to be able to activate or deactivate the desired restriction. Subscribers can also query the status of the restriction.

The operating company retains the ability to assign, activate, or deactivate restrictions on a line.

LENFEAT feature ILR (continued)

The operating company has the ability to charge a fixed amount for the assignment, subscriber activation, querying, and operating company activation of this feature.

Call classes can be datafilled in the translation tables. The call classes that can be screened by feature ILR, together with the meaning of the call class in the context of the Caribbean Expansion Project (CEP) are shown in the following table.

Call classes that can be screened by feature ILR

Call class	Description of call class
LCL	Local call - Calls are made locally.
NATL	National call - Calls are made within the nation, but with a non-local tariff.
CNTL	Continental call - This type is used for the Caribbean. These are international calls within the same continent (Zone 1 North America).
CNTL	Intercontinental call - This type is used for the Caribbean. These are international calls to a different continent, outside Zone 1.
INTL	International call - This type is used for Turkey, and covers international calls.
IOPRA	International Operator-assisted call - These are calls to an international operator for assistance in placing an international call.
EMRG	Emergency call - This type is used for calls to emergency numbers.

The following table shows the correlation between call classes and restriction classes.

Call class and restriction class correlation

Restriction class	LCL	NATL	CNTL	ICNTL	INTL	IOPRA	EMRG	Others
DABE	Deny	Deny	Deny	Deny	Deny	Deny	Ck	Deny
DAI	Ck	Ck	Ck	Deny	Deny	Deny	Ck	Ck
DIDD	Ck	Ck	Ck	Deny	Deny	Deny	Ck	Ck
DNI	Ck	Deny	Deny	Deny	Deny	Deny	Ck	Ck
DNID	Ck	Deny	Deny	Deny	Deny	Deny	Ck	Ck

LENFEAT feature ILR (continued)**Datafill**

The following table lists the datafill for table LENFEAT feature ILR.

Field descriptions (Sheet 1 of 2)

Field	Subfield or refinement	Entry	Explanation and action
LEN		see subfields	<p>Line equipment number. This field defines the physical location of the equipment that is connected to a specific telephone line.</p> <p>Because field LEN is common to more than 60 tables, it is documented in a single section to avoid unnecessary duplication. Refer to section "Common entry field LEN" for a complete description of field LEN and associated subfields.</p> <p>Field LEN consists of subfields SITE, FRAME, UNIT, DRAWER or LSG, SHELF, SLOT, and CIRCUIT.</p>
PTY		S	Party. Enter the party to which the feature belongs. The only valid entry for this field is S (single party).
DF		ILR	Feature. Enter ILR for the International Line Restrictions feature.
FEATURE		ILR	Feature. Enter ILR for the International Line Restrictions feature.
DATA		see subfields	Data. This field consists of subfields DF and ILRCLASS. Separate each subfield with a single space.
	DF	ILR	Feature. Enter ILR for the International Line Restrictions feature.

LENFEAT feature ILR (continued)**Field descriptions (Sheet 2 of 2)**

Field	Subfield or refinement	Entry	Explanation and action
	ILRCLASS	DABE, DAI, DIDD, DNI, DNID, or NIL	<p>International Line Restriction class.</p> <p>Enter the restriction class for the line, or enter NIL if no restriction class is required. Descriptions of the restriction classes are provided below.</p> <ul style="list-style-type: none"> • DABE (deny all calls except calls to emergency numbers) • DAI (deny all international calls. All calls except local, national and emergency calls are blocked.) • DIDD (deny international direct dial calls. All calls except local, national, emergency, and operator-assisted international calls are blocked.) • DNI (deny national and international calls. All calls except local and emergency calls are blocked.) • DNID (deny national and international direct dial calls. All calls except local, emergency, and those to the international operator are blocked.)
	ILRCLASS (continued)		NIL (nil). No calls are blocked.
	ILRPW	0 to 9 (4 digits) or nnnn	International Line Restriction password. This field consists of the characters nnnn if no password is specified. Otherwise, enter the four-digit password.

Datafill example

The following example shows sample datafill for table LENFEAT feature ILR.

This example is datafilled for a line with the following attributes:

- The line with the feature is assigned to LEN 0 0 0 29 at the switching unit.
- The line is single party.
- The data feature is ILR.

LENFEAT feature ILR (end)

- The restriction class is Denied All International (DAI) calls.
- No password is specified.

MAP display example for table LENFEAT feature ILR

LEN	PTY	DF	FEATURE	DATA
HOST 00 0 00 29	S	ILR	ILR	DAI0 nnnn

LENFEAT feature INDC

International No Double Connect (INDC) (international loads only)

The International No Double Connect (INDC) feature, which is present in international loads only, provides data line capability by preventing all interruptions on all calls until the feature is manually deactivated. Toll break-in (TBI) and Call Waiting tone (CWT) are examples of interruptions that are prevented by the INDC feature being active.

This feature is activated by the subscriber dialing an access code either during a call or while the line is idle. The feature is deactivated by dialing a deactivation access code sequence. Feature INDC can be queried by the subscriber to determine the activation status.

Feature INDC is assigned to a subscriber line by the operating company. Once it has been assigned to a line, the subscriber and the operating company both have the capability of activating or deactivating the feature.

Datafill

The following table lists the datafill for table LENFEAT feature INDC.

Field descriptions (Sheet 1 of 2)

Field	Subfield or refinement	Entry	Explanation and action
LEN		see subfields	<p>Line equipment number. This field defines the physical location of the equipment that is connected to a specific telephone line.</p> <p>Because field LEN is common to more than 60 tables, it is documented in a single section to avoid unnecessary duplication. Refer to section "Common entry field LEN" for a complete description of field LEN and associated subfields.</p> <p>Field LEN consists of subfields SITE, FRAME, UNIT, DRAWER or LSG, SHELF, SLOT, and CIRCUIT.</p>
PTY		S	Party. Enter the party to which the feature belongs. The only valid entry for this field is S (single party).
DF		INDC	Feature. Enter INDC for the International No Double Connect feature.

LENFEAT feature INDC (end)

Field descriptions (Sheet 2 of 2)

Field	Subfield or refinement	Entry	Explanation and action
FEATURE		INDC	Feature. Enter INDC for the International No Double Connect feature.
DATA		see subfields	Data. This field consists of subfields DF and STATE. Separate each subfield with a single space.
	DF	INDC	Feature. Enter INDC for the International No Double Connect feature.
	DN	ACTIVE or INACTIVE	State. Enter ACTIVE to activate the International No Double Connect feature so that no double connection can be made. Otherwise, enter INACTIVE.

Datafill example

The following example shows sample datafill for table LENFEAT feature INDC.

This example is datafilled for a line with the following attributes:

- The line with the feature is assigned to LEN 1 1 4 6 at the host switching unit.
- The line is single party.
- The data feature is INDC.
- The state of the feature is ACTIVE.

MAP display example for table LENFEAT feature INDC

LEN	PTY	DF	FEATURE	DATA
HOST 01 1 04 06	S	INDC	INDC	ACTIVE

LENFEAT feature INTPIC

International Primary Carrier (INTPIC)

The International Primary Carrier (International PIC) feature allows Equal Access End Office (EAEO) subscribers to presubscribe to an international call carrier, independent of the selected interLATA call carrier.

To add the International PIC feature to POTS or COIN lines in table LENFEAT, use the Service Order System (SERVORD) to add option INTPIC to table LENFEAT. All additions, deletions and changes to table IBNFEAT must be entered using the Service Order System (SERVORD). For information, refer to the *SERVORD Reference Manual*.



CAUTION

Servord required

All additions, deletions, and changes must be entered using the Service Order System. For information, see the *SERVORD Reference Manual*.

If the subscriber makes an international call and no carrier is specified using INTPIC, then the call defaults to the interLATA carrier specified with the line option PIC.

Datafill

The following table lists the datafill for table LENFEAT feature INTPIC.

Field descriptions

Field	Subfield or refinement	Entry	Explanation and action
LEN		see subfields	Line equipment number. This field defines the physical location of the equipment that is connected to a specific telephone line. Because field LEN is common to more than 60 tables, it is documented in a single section to avoid unnecessary duplication. Refer to section "Common entry field LEN" for a complete description of field LEN and associated subfields.
PTY		R1 to R5, S, or T1 to T5	Party. This field describes the type and number of subscribers assigned to the feature. Enter the party to which the feature belongs.

LENFEAT feature INTPIC (end)

Field descriptions

Field	Subfield or refinement	Entry	Explanation and action
DF		INTPIC	Data feature. Enter INTPIC for the International PIC feature.
FEATURE		INTPIC	Feature. Enter INTPIC for the International PIC feature.
	CARRIER	alphanumeric (up to 16 characters)	Carrier name. Enter the selected international carrier. A list of valid carrier names is found in table OCCNAME.
	CHOICE	Y or N	Choice. Enter Y or N to allow or disallow the choice for Carrier Access Code (CAC) dialing.
DATA			Data.

Datavfill example

The following example shows sample datavfill for table LENFEAT feature INTPIC.

MAP display example for table LENFEAT feature INTPIC

LEN PTY	DF	FEATURE	DATA
HOST 06 0 05 31 S	INTPIC	INTPIC	CARR1 Y

LENFEAT feature LPIC

Local Primary Intra-LATA Carrier (LPIC)

The Local Primary Intra-LATA Carrier (LPIC) feature allows equal access subscribers to select a carrier of their choice to handle toll calls within a local access and transport area (LATA).

Currently, all intra-LATA calls, including zero-minus (0-) calls, are handled by the local operating company. For inter-LATA calls, equal access subscribers can select a carrier to provide their inter-LATA service. This carrier is referred to as the subscriber's primary inter-LATA carrier (PIC).

With this feature, zero-minus (0-) calls can be routed to an LPIC or to the operating company operator as before.

During the datafill for the LPIC feature, the user is prompted to input a carrier name. While this is otherwise similar to the datafill for the PIC feature, the user is not prompted for the boolean field CHOICE.

In feature PIC, field CHOICE determines the ability of the subscriber to dial 10XXX to select a carrier for each call. This ability, determined when the inter-LATA PIC feature is placed on a line, applies to 10XXX dialing for both inter-LATA and intra-LATA calls. If the PIC feature has not been specified, field CHOICE defaults to Y (yes), allowing subscribers that have an LPIC but no PIC to dial 10XXX.

Like the PIC option, the carrier name must be datafilled in table OCCNAME before it can be input as the carrier for the LPIC feature.

Information required for each line with feature LPIC follows:

- if the line is remote, the site name of the remote location
- the line equipment number (LEN) to which the line with the feature is assigned
- the party of the line to which the feature is assigned
- the data feature LPIC
- the carrier name

Tuples are added to table LENFEAT through the Service Order System (SERVORD).

LENFEAT feature LPIC (continued)**Datafill**

The following table lists the datafill for table LENFEAT feature LPIC.

Field descriptions (Sheet 1 of 2)

Field	Subfield or refinement	Entry	Explanation and action
LEN		see subfields	<p>Line equipment number. This field defines the physical location of the equipment that is connected to a specific telephone line.</p> <p>Because field LEN is common to more than 60 tables, it is documented in a single section to avoid unnecessary duplication. Refer to section "Common entry field LEN" for a complete description of field LEN and associated subfields.</p> <p>Field LEN consists of subfields SITE, FRAME, UNIT, DRAWER or LSG, SHELF, SLOT, and CIRCUIT.</p>
PTY		R1 to R5, S, or T1 to T5	Party. This field describes the type and number of subscribers assigned to the feature. Enter the party to which the feature belongs.
DF		LPIC	Feature. Enter LPIC for the Local Primary Inter-LATA Carrier feature.
FEATURE		LPIC	Feature. Enter LPIC for the Local Primary Inter-LATA Carrier feature.
DATA		see subfields	Data. This field consists of subfields DF and CARRNAME. Separate each subfield with a single space.
	DF	LPIC	Feature. Enter LPIC for the Local Primary Inter-LATA Carrier feature.

LENFEAT feature LPIC (end)**Field descriptions (Sheet 2 of 2)**

Field	Subfield or refinement	Entry	Explanation and action
	CARRNAME	alphanumeric (1 to 16 characters)	Carrier name. Enter the code that represents the name of the intra-LATA carrier. The name must be datafilled in table OCCINFO, field CARRIER NAME, before it can be datafilled here. The default entry is NILC, which corresponds to a null LPIC.
	LCHOICE	Y or N	LPIC Choice. The LCHOICE entry (Y or N) determines if the LPIC subscriber is permitted to dial 10XXX/101XXXX codes. In the LCHOICE field, either Y or N must be entered; this field does not have a default value.

Datafill example

The following example shows sample datafill for table LENFEAT feature LPIC.

This example is datafilled for a line with the following attributes:

- The line with the feature is assigned to LEN 02 1 07 04 at the host switching unit.
- The line is single party.
- The data feature is LPIC.
- The carrier name is CAR1.
- The LPIC subscriber is permitted to dial 10XXX/101XXXX codes.

MAP display example for table LENFEAT feature LPIC

LEN	PTY	DF	FEATURE	DATA
HOST 02 1 07 04	S	LPIC	LPIC	CAR1 Y

LENFEAT feature LSPSO

Local Service Provider Switch Owner (LSPSO)

Feature LSPSO assigns a local service provider switch owner to a directory number (DN). SERVORD uses the NEW or ADO commands to assign feature LSPSO to the DN.

Use the LSPSO option only in a multi-jurisdictional environment on DNs outside the jurisdiction where the switch resides. In a single-jurisdictional environment, Nortel recommends that you use only the new OFCENG (office engineering) parameter DEFAULT_LSPSO. The software does not prevent customers from assigning the LSPSO option to DNs in a single-jurisdictional environment.

The following table lists the datafill for table LENFEAT feature LSPSO. SERVORD automatically updates this table when customers make changes to the LSPSO feature. This table shows the datafill for reference only.

Datafill

Field descriptions

Field	Subfield or refinement	Entry	Explanation and action
DF		LSPSO	Feature. Enter LSPSO for the Local Service Provider Switch Owner feature.
FEATURE		LSPSO	Feature. Enter LSPSO for the Local Service Provider Switch Owner feature.
DATA	PROVIDER	alphanumeric (1 to 8 characters)	Enter the provider name of the switch owner. The name can be any provider name datafilled in table LSPINFO.

Datafill example

The following example shows sample datafill for table LENFEAT feature LSPSO.

LENFEAT feature LSPSO (end)

MAP display example for table LENFEAT feature LSPSO

```
>LENFEAT
```

```
LEN                PTY      DF      FEATURE      DATA
```

```
HOST 06 1 10 22    1FR     LSPSO    LSPSO      CLEC1
```

LENFEAT feature MBK

Make Busy Key (MBK)

The Make Busy Key (MBK) feature can be assigned to a line to provide support for a scan point circuit controlled by an external key. When the MBK option is assigned, a scan point circuit that is controlled by an external key is associated with the line. The line is made permanently busy when the key is activated, and is normal when the key is not activated.

Once activated, the MBK option causes any incoming call to be forwarded. This forwarding is not dependent on the line being busy or idle. If the MBK option is not activated, calls are forwarded only if the line is actually busy.

Information required for each line with feature MBK follows:

- if the line is remote, the site name of the remote location
- the line equipment number (LEN) to which the line with the feature is assigned
- the party of the line to which the feature is assigned
- the data feature MBK
- the physical location of the scan point assigned to the make busy key (The scan point must belong to one of the scan groups assigned in table SCGRP.)

Datafill

The following table lists the datafill for table LENFEAT feature MBK.

Field descriptions (Sheet 1 of 2)

Field	Subfield or refinement	Entry	Explanation and action
LEN		see subfields	<p>Line equipment number. This field defines the physical location of the equipment that is connected to a specific telephone line.</p> <p>Because field LEN is common to more than 60 tables, it is documented in a single section to avoid unnecessary duplication. Refer to section "Common entry field LEN" for a complete description of field LEN and associated subfields.</p> <p>Field LEN consists of subfields SITE, FRAME, UNIT, DRAWER or LSG, SHELF, SLOT, and CIRCUIT.</p>

LENFEAT feature MBK (continued)**Field descriptions (Sheet 2 of 2)**

Field	Subfield or refinement	Entry	Explanation and action
PTY		R1 to R5,S or T1 to T5	Party. This field describes the type and number of subscribers assigned to the feature. Enter the party to which the feature belongs.
DF		MBK	Feature. Enter MBK for the Remote Make Busy feature.
FEATURE		MBK	Feature. Enter MBK for the Remote Make Busy feature.
DATA		see subfields	Data. This field consists of subfields DF and SCANPOINT.
	DF	MBK	Feature. Enter MBK for the Remote Make Busy feature.
	SCANPOINT	see subfields	Scan point. This field consists of subfields TMTYPE, TMNO, TMCKTNO, POINT, and NORMALST.
	TMTYPE	MTM, RMM, or RSM	Trunk module type. If the line and scan card are located at the host switching unit, enter MTM (maintenance trunk module) as the trunk module type on which the scan card is mounted. If the line and scan card are located at a remote location, enter RSM (remote service module) or RMM (remote maintenance module), as the trunk module type on which the scan card is mounted.
	TMNO	0 to 2047	Trunk module number. Enter the trunk module number assigned to the trunk module on which the scan card is mounted. The entry value range varies in accordance with the type of trunk module.
	TMCKTNO	0 to 29	Trunk module circuit number. Enter the number of the trunk module circuit to which the scan point belongs.
	POINT	0 to 6	Point. Enter the scan point within the trunk module circuit.
	NORMALIST	0 or 1	Normal state. Enter the normal state of the scan point. If the scan point is normally off or open, enter 0 (zero). If the scan point is normally on or closed, enter 1.

LENFEAT feature MBK (end)

Datavfill example

The following example shows sample datavfill for table LENFEAT feature MBK.

This example is datavfilled for a line with the following attributes:

- The line with the feature is assigned to LEN 00 0 19 06 at the host switching unit.
- The line is single party.
- The data feature is MBK.
- Scan point 1 of the scan group, which is physically located at circuit 15 of MTM 0, is assigned to the make busy key.

MAP display example for table LENFEAT feature MBK

LEN	PTY	DF	FEATURE	DATA
HOST 00 0 19 06	S	MBK	MBK	MTM 000 15 1 0

LENFEAT feature MPB

Multiparty Bridge (MPB)

The Multiparty Bridge (MPB) feature adds a group of up to four subscriber lines to an MPB group. Each line has a unique line equipment number (LEN) and directory number (DN), but behaves as if it is a single party on a multiparty line that links the members of the group.

Information required for each line with feature MPB follows:

- the LEN to which the line with the feature is assigned
- the party of the line to which the feature is assigned
- the data feature MPB
- the MPB member index assigned to the line
- the MPB group number to which the line belongs

A tuple is automatically added or deleted in table MPBINV as the MPB line feature is added to or deleted from lines in table LENFEAT.

Tuples are added to table LENFEAT through the Service Order System (SERVORD).

Datafill

The following table lists the datafill for table LENFEAT feature MPB.

Field descriptions (Sheet 1 of 2)

Field	Subfield or refinement	Entry	Explanation and action
LEN		see subfields	<p>Line equipment number. This field defines the physical location of the equipment that is connected to a specific telephone line.</p> <p>Because field LEN is common to more than 60 tables, it is documented in a single section to avoid unnecessary duplication. Refer to section "Common entry field LEN" for a complete description of field LEN and associated subfields.</p> <p>Field LEN consists of subfields SITE, FRAME, UNIT, DRAWER or LSG, SHELF, SLOT, and CIRCUIT.</p>
PTY		S	<p>Party. Enter the party to which the feature belongs. The only valid entry for this field is S (single party).</p>

LENFEAT feature MPB (continued)**Field descriptions (Sheet 2 of 2)**

Field	Subfield or refinement	Entry	Explanation and action
DF		MPB	Feature. Enter MPB for the Multiparty Bridge feature.
FEATURE		MPB	Feature. Enter MPB for the Multiparty Bridge feature.
DATA		see subfields	Data. This field consists of subfields DF, MPBMEM, and MPBGRP. Separate each subfield with a single space.
	DF	MPB	Data feature. Enter MPB for the Multiparty Bridge feature.
	MPBMEM	0 to 3	Multiparty Bridge member. This field is reserved for Northern Telecom (Nortel) use only. Do not datafill.
	MPBGRP	0 to 3199	Multiparty Bridge group. Enter a unique number for each MPB group.

Datafill example

The following example shows sample datafill for table LENFEAT feature MPB.

This example is datafilled for a line with the following attributes:

- The line with the MPB feature is assigned to LEN RCU0 00 1 00 05.
- The line is single party.
- The data feature is MPB.
- The MPBMEM index is 0.
- The MPBGRP number is 0.

LENFEAT feature MPB (end)

MAP display example for table LENFEAT feature MPB

LEN	PTY	DF	FEATURE	DATA
RCUO 00 1 00 05	S	MPB	MPB	0 0000

LENFEAT feature OUTWT

OUTWATS (OUTWT)

The OUTWATS (OUTWT) feature is assigned for each line with line class code OUTWATS (OWT). Information required for each OUTWATS line follows:

- If the line is remote, the site name of the remote location must be specified.
- The line equipment number (LEN) to which the OUTWATS line is assigned must be specified.
- The party of the line to which the feature is assigned must be specified.
- The data feature OUTWT must be specified.
- The treatment in subtable TMTCNTL.TREAT to which an OUTWATS line is routed when an out-of-band number is dialed must be specified as Unauthorized OUTWATS (UNOW) treatment.
- The OUTWATS zone to which the OUTWATS line is assigned must be specified. (Table ZONEORDR defines which zones are valid in another zone.)

Datafill

The following table lists the datafill for table LENFEAT feature OUTWT.

Field descriptions (Sheet 1 of 2)

Field	Subfield or refinement	Entry	Explanation and action
LEN		see subfields	<p>Line equipment number. This field defines the physical location of the equipment that is connected to a specific telephone line.</p> <p>Because field LEN is common to more than 60 tables, it is documented in a single section to avoid unnecessary duplication. Refer to section "Common entry field LEN" for a complete description of field LEN and associated subfields.</p> <p>Field LEN consists of subfields SITE, FRAME, UNIT, DRAWER or LSG, SHELF, SLOT, and CIRCUIT.</p>
PTY		R1 to R5, S, or T1 to T5	Party. This field describes the type and number of subscribers assigned to the feature. Enter the party to which the feature belongs.
DF		OUTWT	Feature. Enter OUTWT for the OUTWATS feature.

LENFEAT feature OUTWT (continued)**Field descriptions (Sheet 2 of 2)**

Field	Subfield or refinement	Entry	Explanation and action
FEATURE		OUTWT	Feature. Enter OUTWT for the OUTWATS feature.
DATA		see subfields	Data. This field consists of subfields DF, TREAT, and OWATZONE. Separate each subfield with a single space.
	DF	OUTWT	Feature. Enter OUTWT for the OUTWATS feature.
	TREAT	UNOW	Treatment. Enter UNOW for Unauthorized OUTWATS call treatment.
	OWATZONE	0 to 9, A, B, or C	OUTWATS zone. Enter the zone to which the line is assigned. Entry values A, B, and C correspond to zones 10, 11, and 12 respectively. While the symbols A, B, and C are used for input and output of this table, billing records use the numbers 10, 11, and 12.

Datafill example

The following example shows sample datafill for table LENFEAT feature OUTWT.

This example is datafilled for a line with the following attributes:

- The line with the feature is assigned to LEN 1 1 4 6 at the host switching unit.
- The line is single party.
- The data feature is OUTWT.
- The line is routed to Unauthorized OUTWATS (UNOW) treatment upon dialing an out-of-band number.
- The line is assigned to zone 2.

LENFEAT feature OUTWT (end)

MAP display example for table LENFEAT feature OUTWT

LEN	PTY	DF	FEATURE	DATA
HOST 01 1 04 06	S	OUTWT	OUTWT	UNOW 2

LENFEAT feature PIC

Primary Inter-LATA Carrier (PIC)

The Primary Inter-LATA Carrier (PIC) feature is assigned to lines that belong to an equal access (EA) plan. The feature is used to allow or disallow traffic to any carrier.

The territory of AT&T is divided into local access and transport areas (LATA). The EA plan uses a new dialing plan to gain access to inter-LATA and intra-LATA carriers.

In an equal access end office (EAEO), a subscriber call is routed to a default carrier if the following conditions are true:

- The subscriber has not chosen a primary inter-LATA carrier (PIC) and has not dialed 10XXX.
- The call is an inter-LATA toll call and the office has chosen to have a default carrier.

In all other cases, with one exception, the call is blocked. The exception is the case where the subscriber does not want a PIC and does not want to use the default office carrier. In this situation, the PIC feature is datafilled as a null PIC with a carrier name of NILC, and the entry in field CHOICE of Y (yes). The subscriber must explicitly dial 10XXX for each call of this type.

Information required for each line with feature PIC follows:

- if the line is remote, the site name of the remote location
- the line equipment number (LEN) to which the line with the feature is assigned
- the party of the line to which the feature is assigned
- the data feature PIC
- the carrier name
- whether subscribers want to limit toll calls to their PIC (If the establishment does not want telephone users to have the ability to choose another carrier, field CHOICE must be set to NO.)

Tuples are added to table LENFEAT through the Service Order System (SERVORD).

LENFEAT feature PIC (continued)**Datafill**

The following table lists the datafill for table LENFEAT feature PIC.

Field descriptions

Field	Subfield or refinement	Entry	Explanation and action
LEN		see subfields	<p>Line equipment number. This field defines the physical location of the equipment that is connected to a specific telephone line.</p> <p>Because field LEN is common to more than 60 tables, it is documented in a single section to avoid unnecessary duplication. Refer to section "Common entry field LEN" for a complete description of field LEN and associated subfields.</p> <p>Field LEN consists of subfields SITE, FRAME, UNIT, DRAWER or LSG, SHELF, SLOT, and CIRCUIT.</p>
PTY		R1 to R5, S, or T1 to T5	Party. This field describes the type and number of subscribers assigned to the feature. Enter the party to which the feature belongs.
DF		PIC	Feature. Enter PIC for the Primary Inter-LATA Carrier feature.
FEATURE		PIC	Feature. Enter PIC for the Primary Inter-LATA Carrier feature.
DATA		see subfields	Data. This field consists of subfields DF, CARRIER, and CHOICE. Separate each subfield with a single space.
	DF	PIC	Feature. Enter PIC for the Primary Inter-LATA Carrier feature.
	CARRIER	alphanumeric (1 to 16 characters) or NILC	Carrier name. Enter the code that represents the name of the carrier. If a null PIC is required, enter NILC for this field.
	CHOICE	Y or N	Choice. If a subscriber requires the ability to choose a carrier, enter Y (yes). If a subscriber must use the assigned carrier, enter N (no).

LENFEAT feature PIC (end)

Datafill example

The following example shows sample datafill for table LENFEAT feature PIC.

MAP display example for table LENFEAT feature PIC

LEN	PTY	DF	FEATURE	DATA
HOST 02 1 07 04	S	PIC	PIC	CARR1 Y

LENFEAT feature RMB

Random Make Busy (RMB)

The Random Make Busy (RMB) feature can be assigned to any hunt line, directory number, multiline, or distributed hunt line. The feature provides support for a miscellaneous scan point circuit controlled by an external key. The line is made permanently busy when the key is activated, and is normal when the key is not activated. The same scan point is assignable to one, several, or all lines in the hunt group in accordance with the lines that require busying.

Information required for each line with feature RMB follows:

- if the line is remote, the site name of the remote location
- the line equipment number (LEN) to which the line with the feature is assigned
- the party of the line to which the feature is assigned
- the data feature RMB
- the physical location of the scan point assigned to the random make busy key (The scan point must belong to one of the scan groups assigned in table SCGRP.)

Datafill

The following table lists the datafill for table LENFEAT feature RMB.

Field descriptions (Sheet 1 of 3)

Field	Subfield or refinement	Entry	Explanation and action
LEN		see subfields	<p>Line equipment number. This field defines the physical location of the equipment that is connected to a specific telephone line.</p> <p>Because field LEN is common to more than 60 tables, it is documented in a single section to avoid unnecessary duplication. Refer to section "Common entry field LEN" for a complete description of field LEN and associated subfields.</p> <p>Field LEN consists of subfields SITE, FRAME, UNIT, DRAWER or LSG, SHELF, SLOT, and CIRCUIT.</p>

LENFEAT feature RMB (continued)**Field descriptions (Sheet 2 of 3)**

Field	Subfield or refinement	Entry	Explanation and action
PTY		R1 to R5, S, or T1 to T5	Party. This field describes the type and number of subscribers assigned to the feature. Enter the party to which the feature belongs.
DF		RMB	Feature. Enter RMB for the Random Make Busy feature.
FEATURE		RMB	Feature. Enter RMB for the Random Make Busy feature.
DATA		see subfields	Data. This field consists of subfields DF and SCANPOINT. Separate each subfield with a single space.
	DF	RMB	Feature. Enter RMB for the Random Make Busy feature.
	SCANPOINT	see subfields	Scan point. This field consists of subfields TMTYPE, TMNO, TMCKTNO, POINT, and NORMALST.
	TMTYPE	MTM, RMM, or RSM	Trunk module type. If the line and scan card are located at the host switching unit, enter MTM (maintenance trunk module) as the trunk module type on which the scan card is mounted. If the line and scan card are located at a remote location, enter RMM (remote maintenance module) or RSM (remote service module) as the trunk module type on which the scan card is mounted.
	TMNO	0 to 2047	Trunk module number. Enter the trunk module number assigned to the trunk module on which the scan card is mounted. The entry value range varies in accordance with the type of trunk module.
	TMCKTNO	0 to 29	Trunk module circuit number. Enter the number of the trunk module circuit to which the scan point belongs.

LENFEAT feature RMB (end)

Field descriptions (Sheet 3 of 3)

Field	Subfield or refinement	Entry	Explanation and action
	POINT	0 to 6	Point. Enter the scan point within the trunk module circuit.
	NORMALST	0 or 1	Normal state. Enter the normal state of the scan point. If the scan point is normally off or open, enter 0 (zero). If the scan point is normally on or closed, enter 1.

Datafill example

The following example shows sample datafill for table LENFEAT feature RMB.

This example is datafilled for a line with the following attributes:

- The line with the feature is assigned to LEN 0 1 5 4 at the host switching unit.
- The line is single party.
- The data feature is RMB.
- Scan point 5 of the scan group, which is physically located at circuit 14 of MTM 1, is assigned to the random make busy key.

MAP display example for table LENFEAT feature RMB

LEN	PTY	DF	FEATURE	DATA
HOST 00 1 05 04	S	RMB	RMB	MTM 001 14 5 0

LENFEAT feature RMP

Remote Meter Pulsing (RMP)

The Remote Meter Pulsing (RMP) feature is assigned to lines that require remote meter pulsing to pulse remote registers in hotels and motels.

Information required for each line with feature RMP follows:

- if the line is remote, the site name of the remote location
- the line equipment number (LEN) to which the line with the feature is assigned
- the party of the line to which the feature is assigned
- the data feature RMP
- the number of surcharge pulses that are output to the remote meter when the terminator goes off-hook
- the physical location of the signal distributor (SD) point required for remote meter pulsing (The SD point must belong to one of the SD groups assigned in table SDGRP.)

Datafill

The following table lists the datafill for table LENFEAT feature RMP.

Field descriptions (Sheet 1 of 3)

Field	Subfield or refinement	Entry	Explanation and action
LEN		see subfields	<p>Line equipment number. This field defines the physical location of the equipment that is connected to a specific telephone line.</p> <p>Because field LEN is common to more than 60 tables, it is documented in a single section to avoid unnecessary duplication. Refer to section "Common entry field LEN" for a complete description of field LEN and associated subfields.</p> <p>Field LEN consists of subfields SITE, FRAME, UNIT, DRAWER or LSG, SHELF, SLOT, and CIRCUIT.</p>
PTY		R1 to R5, S, or T1 to T5	<p>Party. This field describes the type and number of subscribers assigned to the feature. Enter the party to which the feature belongs.</p>

LENFEAT feature RMP (continued)

Field descriptions (Sheet 2 of 3)

Field	Subfield or refinement	Entry	Explanation and action
DF		RMP	Feature. Enter RMP for the Remote Meter Pulsing feature.
FEATURE		RMP	Feature. Enter RMP for the Remote Meter Pulsing feature.
DATA		see subfields	Data. This field consists of subfields DF, SURCHG, and SDPOINT. Separate each subfield with a single space.
	DF	RMP	Feature. Enter RMP for the Remote Meter Pulsing feature.
	SURCHG	0 to 15	Surcharge. Enter the number of surcharge pulses required to be sent to the remote meter when the terminator goes off-hook.
	SDPOINT	see subfields	Signal distributor point. This field consists of subfields TMTYPE, TMNO, TMCKTNO, POINT, and NORMALST.
	TMTYPE	MTM, RMM, or RSM	Trunk module type. If the line and signal distributor (SD) cards are located at the host switching unit, enter MTM (maintenance trunk module) as the trunk module type on which the SD card is mounted. If the line and SD cards are located at a remote location, enter RMM (remote maintenance module) or RSM (remote service module) as the trunk module type on which the SD card is mounted.
	TMNO	0 to 2047	Trunk module number. Enter the trunk module number assigned to the trunk module on which the SD card is mounted. The entry value range varies in accordance with the type of trunk module.
	TMCKTNO	0 to 29	Trunk module circuit number. Enter the number of the trunk module circuit to which the SD point belongs.

LENFEAT feature RMP (end)**Field descriptions (Sheet 3 of 3)**

Field	Subfield or refinement	Entry	Explanation and action
	POINT	0 to 6	Point. Enter the SD point within the trunk module circuit.
	NORMALST	0 or 1	Normal state. Enter the normal state of the SD point. If the SD point is normally off or open, enter 0 (zero). If the SD point is normally on or closed, enter 1.

Datafill example

The following example shows sample datafill for table LENFEAT feature RMP.

This example is datafilled for a line with the following attributes:

- The line with the feature is assigned to LEN 0 1 3 8 at remote site MERV.
- The line is single party.
- The data feature is RMP.
- The number of surcharge pulses is six.
- The physical location of SD point number 6 is circuit 16 on remote service module 0 at the remote location with the site name of MERV.

MAP display example for table LENFEAT feature RMP

LEN	PTY	DF	FEATURE	DATA
MERV 00 1 03 08	S	RMP	RMP	RSM 000 16 6 0

LENFEAT feature RMS

Remote Register Signal Distributor Point (RMS)

The Remote Register Signal Distributor Point (RMS) feature is assigned if a hardware register in a location that is remote from the DMS switch requires incrementing.

Information required for each line with feature RMS follows:

- if the line is remote, the site name of the remote location
- the line equipment number (LEN) to which the line with the feature is assigned
- the party of the line to which the feature is assigned
- the data feature RMS
- the SD point assigned to the remote register and the physical location of this SD point

Datfill

The following table lists the datfill for table LENFEAT feature RMS.

Field description

Field	Subfield or refinement	Entry	Explanation and action
LEN		see subfields	<p>Line equipment number. This field defines the physical location of the equipment that is connected to a specific telephone line.</p> <p>Because field LEN is common to more than 60 tables, it is documented in a single section to avoid unnecessary duplication. Refer to section "Common entry field LEN" for a complete description of field LEN and associated subfields.</p> <p>Field LEN consists of subfields SITE, FRAME, UNIT, DRAWER or LSG, SHELF, SLOT, and CIRCUIT.</p>
PTY		R1 to R5, S, or T1 to T5	Party. This field describes the type and number of subscribers assigned to the feature. Enter the party to which the feature belongs.
DF		RMS	Feature. Enter RMS for the Remote Register Signal Distributor Point feature.

LENFEAT feature RMS (continued)**Field description**

Field	Subfield or refinement	Entry	Explanation and action
FEATURE		RMS	Feature. Enter RMS for the Remote Register Signal Distributor Point feature.
DATA		see subfields	Data. This field consists of subfields DF and SDPOINT. Separate each subfield with a single space.
	DF	RMS	Feature. Enter RMS for the Remote Register Signal Distributor Point feature.
	SDPOINT	see subfields	Signal distributor point. This field consists of subfields TMTYPE, TMNO, TMCKTNO, POINT, and NORMALST.
	TMTYPE	MTM, RMM, or RSM	Trunk module type. If line and SD cards are located at the host switching unit, enter MTM (maintenance trunk module) as the trunk module type on which the SD card is mounted. If the line and SD cards are located at a remote location, enter RMM (remote maintenance module) or RSM (remote service module) as the trunk module type on which the SD card is mounted.
	TMNO	0 to 2047	Trunk module number. Enter the trunk module number assigned to the trunk module on which the SD card is mounted. The entry value range varies in accordance with the type of trunk module.
	TMCKTNO	0 to 29	Trunk module circuit number. Enter the number of the trunk module circuit to which the SD point belongs.
	POINT	0 to 6	Point. Enter the SD point within the trunk module circuit.
	NORMALST	0 or 1	Normal state. Enter the normal state of the SD point. If the SD point is normally off or open, enter 0 (zero). If the SD point is normally on or closed, enter 1.

LENFEAT feature RMS (end)

Datavill example

The following example shows sample datavill for table LENFEAT feature RMS.

This example is datavilled for a line with the following attributes:

- The line with the feature is assigned to LEN 0 0 3 4 at remote site MERV.
- The line is single party.
- The data feature is RMS.
- The physical location of the SD point 3 is circuit 14 on remote service module 0 at the remote location with the site name of MERV.

MAP display example for table LENFEAT feature RMS

LEN	PTY	DF	FEATURE	DATA
MERV 00 0 03 04	S	RMS	RMS	RSM 000 14 3 0

LENFEAT feature RSUS

Requested Suspension (RSUS)

The Requested Suspension (RSUS) feature is assigned if the subscriber requests suspension of service. If RSUS is assigned, treatments to which originations from and terminations to the subscriber line require routing must be specified.

Information required for each line with feature RSUS is listed below:

- if the line is remote, the site name of the remote location
- the line equipment number (LEN) of the line to which the feature is assigned
- the party of the line to which the feature is assigned
- the data feature RSUS
- the treatment in subtable TMTCNTL.TREAT to which a line with this feature is routed upon going off-hook
- the treatment in subtable TMTCNTL.TREAT to which a line or trunk is routed when attempting to terminate to the line with this feature

Datafill

The following table lists the datafill for table LENFEAT feature RSUS.

Field descriptions

Field	Subfield or refinement	Entry	Explanation and action
LEN		see subfields	<p>Line equipment number. This field defines the physical location of the equipment that is connected to a specific telephone line.</p> <p>Because field LEN is common to more than 60 tables, it is documented in a single section to avoid unnecessary duplication. Refer to section "Common entry field LEN" for a complete description of field LEN and associated subfields.</p> <p>Field LEN consists of subfields SITE, FRAME, UNIT, DRAWER or LSG, SHELF, SLOT, and CIRCUIT.</p>

LENFEAT feature RSUS (continued)**Field descriptions**

Field	Subfield or refinement	Entry	Explanation and action
PTY		R1 to R5, S, or T1 to T5	Party. This field describes the type and number of subscribers assigned to the feature. Enter the party to which the feature belongs.
DF		RSUS	Feature. Enter RSUS for the Requested Suspension feature.
FEATURE		RSUS	Feature. Enter RSUS for the Requested Suspension feature.
DATA		see subfields	Data. This field consists of subfields DF, OSUS, and TSUS. Separate each subfield with a single space.
	DF	RSUS	Feature. Enter RSUS for the Requested Suspension feature.
	OSUS	alphabetic (1 to 4 characters)	Originating suspension. Enter the treatment in subtable TMTCNTL.TREAT to which the line is routed when it goes off-hook.
	TSUS	alphabetic (1 to 4 characters)	Termination suspension. Enter the treatment in subtable TMTCNTL.TREAT to which a line or trunk is routed when attempting to terminate to a line with the RSUS feature.

Datafill example

The following example shows sample datafill for table LENFEAT feature RSUS.

This example is datafilled for a line with the following attributes:

- The line with the feature is assigned to LEN 0 0 4 4 at the host switching unit.
- The line is single party.
- The data feature is RSUS.
- The line is routed to treatment originating service suspension (ORSS) in subtable TMTCNTL.TREAT when it goes off-hook.
- A line or trunk that tries to terminate to the line is routed to treatment terminating service suspension (TESS) in subtable TMTCNTL.TREAT.

LENFEAT feature RSUS (end)

MAP display example for table LENFEAT feature RSUS

LEN	PTY	DF	FEATURE	DATA
HOST 00 0 04 04	S	RSUS	RSUS	ORSS TESS

LENFEAT feature SC1

Speed Calling Short List (SC1)

The Speed Calling Short List (SC1) feature provides a subscriber line with a list in which the subscriber can enter up to eight frequently called numbers. These numbers can be called by dialing the digits 2 through 9. The subscriber enters and removes these numbers by dialing an access code.

Information required for each line with feature SC1 follows:

- if the line is remote, the site name of the remote location
- the line equipment number (LEN) of the line to which the feature is assigned
- the party of the line to which the feature is assigned
- the data feature SC1
- the list type that is assigned for a speed calling short list, L8

The maximum number of plain ordinary telephone service (POTS) lines that can be assigned a speed calling short list is 16 384 (if sufficient memory is available).

Datafill

The following table lists the datafill for table LENFEAT feature SC1.

Field descriptions

Field	Subfield or refinement	Entry	Explanation and action
LEN		see subfields	<p>Line equipment number. This field defines the physical location of the equipment that is connected to a specific telephone line.</p> <p>Because field LEN is common to more than 60 tables, it is documented in a single section to avoid unnecessary duplication. Refer to section "Common entry field LEN" for a complete description of field LEN and associated subfields.</p> <p>Field LEN consists of subfields SITE, FRAME, UNIT, DRAWER or LSG, SHELF, SLOT, and CIRCUIT.</p>

LENFEAT feature SC1 (continued)**Field descriptions**

Field	Subfield or refinement	Entry	Explanation and action
PTY		R1 to R5, S, or T1 to T5	Party. This field describes the type and number of subscribers assigned to the feature. Enter the party to which the feature belongs.
DF		SC1	Feature. Enter SC1 for the Speed Calling Short List feature.
FEATURE		SC1	Feature. Enter SC1 for the Speed Calling Short List feature.
DATA		see subfields	Data. This field consists of subfields DF and LISTTYPE. Separate each subfield with a single space.
	DF	SC1	Feature. Enter SC1 for the Speed Calling Short List feature.
	LISTTYPE	L8	List type. Enter L8 as the type of list assigned for speed calling short list.

Datafill example

The following example shows sample datafill for table LENFEAT feature SC1.

This example is datafilled for a line with the following attributes:

- The line with the feature is assigned to LEN 0 0 3 3 at the host switching unit.
- The line is an R1 party of a two-party line.
- The data feature is SC1.
- The list type is L8.

LENFEAT feature SC1 (end)

MAP display example for table LENFEAT feature SC1

LEN	PTY	DF	FEATURE	DATA
HOST 00 0 03 03	R1	SC1	SC1	L8

LENFEAT feature SC2

Speed Calling Long List (SC2)

The Speed Calling Long List (SC2) feature provides a subscriber line with a list in which the subscriber can enter up to 30 frequently called numbers. These numbers can be called by dialing the digits 20 through 49. The subscriber enters and removes these numbers by dialing an access code.

Information required for each line with feature SC2 follows:

- if the line is remote, the site name of the remote location
- the line equipment number (LEN) of the line to which the feature is assigned
- the party of the line to which the feature is assigned
- the data feature SC2
- the list type that is assigned for a speed calling long list, L30

The maximum number of plain ordinary telephone service (POTS) lines that can be assigned a speed calling long list is 16 384 (if sufficient memory is available).

Datafill

The following table lists the datafill for table LENFEAT feature SC2.

Field descriptions

Field	Subfield or refinement	Entry	Explanation and action
LEN		see subfields	<p>Line equipment number. This field defines the physical location of the equipment that is connected to a specific telephone line.</p> <p>Because field LEN is common to more than 60 tables, it is documented in a single section to avoid unnecessary duplication. Refer to section "Common entry field LEN" for a complete description of field LEN and associated subfields.</p> <p>Field LEN consists of subfields SITE, FRAME, UNIT, DRAWER or LSG, SHELF, SLOT, and CIRCUIT.</p>

LENFEAT feature SC2 (continued)**Field descriptions**

Field	Subfield or refinement	Entry	Explanation and action
PTY		R1 to R5, S, or T1 to T5	Party. This field describes the type and number of subscribers assigned to the feature. Enter the party to which the feature belongs.
DF		SC2	Feature. Enter SC2 for the Speed Calling Long List feature.
FEATURE		SC2	Feature. Enter SC2 for the Speed Calling Long List feature.
DATA		see subfields	Data. This field consists of subfields DF and LISTTYPE. Separate each subfield with a single space.
	DF	SC2	Feature. Enter SC2 for the Speed Calling Long List feature.
	LISTTYPE	L30	List type. Enter L30 for the type of list that is assigned for long list speed calling.

Datafill example

The following example shows sample datafill for table LENFEAT feature SC2.

This example is datafilled for a line with the following attributes:

- The line with the feature is assigned to LEN 0 0 5 6 at the remote site MERV.
- The line is single party.
- The data feature is SC2.
- The list type is L30.

LENFEAT feature SC2 (end)

MAP display example for table LENFEAT feature SC2

LEN	PTY	DF	FEATURE	DATA
MERV	00 0 05 06	S	SC2	L30

LENFEAT feature SCMP

Series Completion (SCMP)

The Series Completion (SCMP) line feature redirects calls from a busy directory number (DN) to another specified DN that resides in the same switch. A seven- or ten-digit target DN to which the incoming call is redirected is specified as an office parameter of the SCMP line feature.

Information required for each line with feature SCMP follows:

- if the line is remote, the site name of the remote location
- the line equipment number (LEN) of the line to which the feature is assigned
- the party of the line to which the feature is assigned
- the feature SCMP
- a seven or ten-digit DN to which calls are redirected when the line with the SCMP feature is busy (This target DN, which is specified by the operating company, must belong to another line on the same switch.)

Datafill

The following table lists the datafill for table LENFEAT feature SCMP.

Field descriptions

Field	Subfield or refinement	Entry	Explanation and action
LEN		see subfields	<p>Line equipment number. This field defines the physical location of the equipment that is connected to a specific telephone line.</p> <p>Because field LEN is common to more than 60 tables, it is documented in a single section to avoid unnecessary duplication. Refer to section "Common entry field LEN" for a complete description of field LEN and associated subfields.</p> <p>Field LEN consists of subfields SITE, FRAME, UNIT, DRAWER or LSG, SHELF, SLOT, and CIRCUIT.</p>
PTY		R1 to R5, S, or T1 to T5	<p>Party. This field describes the type and number of subscribers assigned to the feature. Enter the party to which the feature belongs.</p>

LENFEAT feature SCMP (end)**Field descriptions**

Field	Subfield or refinement	Entry	Explanation and action
DF		SCMP	Feature. Enter SCMP for the Series Completion feature.
FEATURE		SCMP	Feature. Enter SCMP for the Series Completion feature.
DATA		see subfields	Data. This field consists of subfields DF and SCMPDN. Separate each subfield with a single space.
	DF	SCMP	Feature. Enter SCMP for the Series Completion feature.
	SCMPDN	7 or 10-digit valid DN	Series Completion directory number. Enter the destination DN to which the call is redirected.

Datafill example

The following example shows sample datafill for table LENFEAT feature SCMP.

This example is datafilled for a line with the following attributes:

- The line with the feature is assigned to LEN 0 0 4 4 at the host switching unit.
- The line is single party.
- The data feature is SCMP.
- The call is redirected to 613-621-2222.

MAP display example for table LENFEAT feature SCMP

LEN	PTY	DF	FEATURE	DATA
HOST 00 0 04 04	S	SCMP	SCMP	6136212222

LENFEAT feature SDN

Secondary Directory Number (SDN)

The Secondary Directory Number (SDN) feature is assigned to a single-party plain ordinary telephone service (POTS) line to add one or more additional directory numbers (DN). Adding the SDN feature establishes Teen Service.

Teen Service provides the capability of assigning multiple DNs to one line without the need for additional equipment. Each SDN added to the primary DN is associated as SDN1, SDN2, SDN1 and SDN3, or SDN2 and SDN3. There can be a maximum of six SDNs, except for lines that use frequency selective ringing, where only one SDN, SDN1, can be assigned. When any of the DNs associated in table LENFEAT ring, a distinctive ringing cadence distinguishes which DN is being called.

Information required for each SDN associated with the Teen Service feature follows:

- if the line is remote, the site name of the remote location
- the line equipment number (LEN) of the line to which the feature is assigned
- the party of the line to which the feature is assigned
- the feature SDN
- the SDNs assigned to the line (These numbers must be listed in table DNINV and must be unassigned. Each SDN must have the same serving number plan area [SNPA] as the primary DN.)
- for each SDN, whether the SDN is required to call forward with the primary DN

Teen Service is supported only for lines connected to line modules (LM), line concentrating modules (LCM), remote line concentrating modules (RLCM), and digital subscriber carriers with superimposed, frequency selective, or coded ringing. The supported digital subscriber carriers are remote carrier urbans (RCU), remote concentrator terminals (RCT), and remote concentrator SLC-96 (RCS). The LCM is connected to the central control (CC) by a line group controller (LGC) or by a line trunk controller (LTC). The RLCM is connected to the CC by an LTC. The digital subscriber carriers are connected to the CC by subscriber carrier modules (SCM).

For a description of error messages that can occur when datafilling a tuple in table LENFEAT for SDN, see the "Supplementary Information" section.

LENFEAT feature SDN (continued)**Datafill**

The following table lists the datafill for table LENFEAT feature SDN.

Field descriptions (Sheet 1 of 2)

Field	Subfield	Entry	Explanation and action
LEN		see subfields	<p>Line equipment number. This field defines the physical location of the equipment that is connected to a specific telephone line.</p> <p>Because field LEN is common to more than 60 tables, it is documented in a single section to avoid unnecessary duplication. Refer to section "Common entry field LEN" for a complete description of field LEN and associated subfields.</p> <p>Field LEN consists of subfields SITE, FRAME, UNIT, DRAWER or LSG, SHELF, SLOT, and CIRCUIT.</p>
PTY		S	Party. This field contains the party to which the feature belongs. The only valid entry for this field is S (single party).
DF		SDN	Data feature. This field contains SDN for the Secondary Directory Number feature.
FEATURE		SDN	Feature. This field contains SDN for the Secondary Directory Number feature.
DATA		see subfields	Data. This field consists of subfields DF and SDNS. Separate each subfield with a single space.
	DF	SDN	Data feature. This field contains the Secondary Directory Number feature.
	SDNS	see subfields	Secondary directory numbers. This field consists of subfields DN, SDNRING, and SDNOPT and SDN_DNY. This field can consist up to six DNs. All three subfields must be datafilled six times even if less than the maximum number of six DNs are datafilled for the feature to work.

LENFEAT feature SDN (continued)**Field descriptions (Sheet 2 of 2)**

Field	Subfield	Entry	Explanation and action
	DN	up to 15 digits	Directory number. This field contains an SDN (including NPA). The SDN must be an unassigned seven-digit DN that exists in table DNINV.
	SDNRING	0 to 3	Secondary directory number ring. This field contains the type of ring required for the SDN.
	SDNOPT	N or P	<p>Secondary directory number option. This field contains a 'N' or 'P' to indicate the call forwarding choice for the SDN.</p> <p>'N' indicates the SDN must never be forwarded.</p> <p>'P' indicates the SDN must always be forwarded with the primary DN (PDN).</p> <p>If the PDN does not have Call Forwarding, the recommended value for this field is N.</p> <p>This field has no default.</p>
	SDN_DNY	DNYCWT, NODNY, or \$	<p>Secondary Directory Number Deny. This field contains DNYCWT if CWT tones that are to be disconnected for calls to the SDN.</p> <p>An '\$' indicates Call Waiting (CWT) tone is to remain active for calls to the SDN. Default value is \$.</p> <p>Note: NODNY appears when the option is datafilled in a patch to the previous switch software load.</p>

Datafill example

The following example shows sample datafill for table LENFEAT feature SDN.

This example is datafilled for a line with the following attributes:

- The SDN feature is associated with LEN 0 1 19 22.
- The line is single party.
- The data feature is SDN.

LENFEAT feature SDN (end)

- SDN1 is 621-1421, SDN2 is not assigned, and SDN3 is 621-4550.
- The call forwarding choice for 621-1421 is N. The call forwarding choice for 621-4550 is P. Note that the unassigned SDN2 has N for the call forwarding choice.

MAP display example for table LENFEAT feature SDN

LEN	PTY	DF	FEATURE	DATA
HOST 00 1 19 22	S	SDN	SDN	6211421 N \$\$ N 6214550 P

LENFEAT feature SDY

AT&T Line Studies (SDY)

The AT&T Line Studies (SDY) feature is assigned to lines that require an automatic message accounting (AMA) record to be generated for complaint observation or line usage studies.

Information required for each line with feature SDY follows:

- if the line is remote, the site name of the remote location
- the line equipment number (LEN) to which the line with the feature is assigned
- the party of the line to which the feature is assigned
- the data feature SDY
- whether complaint observing line studies are required
- whether line usage studies are required

Datafill

The following table lists the datafill for table LENFEAT feature SDY.

TableField descriptions

Field	Subfield or refinement	Entry	Explanation and action
LEN		see subfields	<p>Line equipment number. This field defines the physical location of the equipment that is connected to a specific telephone line.</p> <p>Because field LEN is common to more than 60 tables, it is documented in a single section to avoid unnecessary duplication. Refer to section "Common entry field LEN" for a complete description of field LEN and associated subfields.</p> <p>Field LEN consists of subfields SITE, FRAME, UNIT, DRAWER or LSG, SHELF, SLOT, and CIRCUIT.</p>
PTY		R1 to R5, S, or T1 to T5	<p>Party. This field describes the type and number of subscribers assigned to the feature. Enter the party to which the feature belongs.</p>

LENFEAT feature SDY (continued)**TableField descriptions**

Field	Subfield or refinement	Entry	Explanation and action
DF		SDY	Feature. Enter SDY for the AT&T Line Studies feature.
FEATURE		SDY	Feature. Enter SDY for the AT&T Line Studies feature.
DATA		see subfields	Data. This field consists of subfields DF, OBS, and LUS. Separate each subfield with a single space.
	DF	SDY	Feature. Enter SDY for the AT&T Line Studies feature.
	OBS	Y or N	Complaint-observed studies. Enter Y (yes) if complaint observing line studies are required for the line. Otherwise, enter N (no).
	LUS	Y or N	Line usage studies. Enter Y (yes) if line usage studies are required for the line. Otherwise enter N (no).

Datafill example

The following example shows sample datafill for table LENFEAT feature SDY.

This example is datafilled for a line with the following attributes:

- The line with the feature is assigned to LEN 1 0 7 4 at the host switching unit.
- The line is single party.
- The data feature is SDY.
- Complaint-observing studies occur on this line.
- Line usage studies do not occur on this line.

LENFEAT feature SDY (end)

MAP display example for table LENFEAT feature SDY

LEN	PTY	DF	FEATURE	DATA
HOST 00 1 07 04	S	SDY	SDY	Y N

LENFEAT feature SHU

Stop Hunt (SHU)

The Stop Hunt (SHU) feature can be assigned to any type of hunt line: directory number, multiline, or distributed line. This feature provides support for a miscellaneous scan point circuit controlled by an external key. If the key is not activated, the line is normal. The hunting feature is canceled when the key is activated. The same miscellaneous scan point can be simultaneously assigned to one, several, or all lines within the hunt group in accordance with the number of lines that require a cancellation of the hunting feature.

Information required for each line with feature SHU follows:

- if the line is remote, the site name of the remote location
- the line equipment number (LEN) of the line to which the feature is assigned
- the party of the line to which the feature is assigned
- the data feature SHU
- the scan point assigned to the stop hunt key and its physical location (The scan point must belong to one of the scan groups assigned in table SCGRP.)

Datafill

The following table lists the datafill for table LENFEAT feature SHU.

Field descriptions

Field	Subfield or refinement	Entry	Explanation and action
LEN		see subfields	<p>Line equipment number. This field defines the physical location of the equipment that is connected to a specific telephone line.</p> <p>Because field LEN is common to more than 60 tables, it is documented in a single section to avoid unnecessary duplication. Refer to section "Common entry field LEN" for a complete description of field LEN and associated subfields.</p> <p>Field LEN consists of subfields SITE, FRAME, UNIT, DRAWER or LSG, SHELF, SLOT, and CIRCUIT.</p>

LENFEAT feature SHU (continued)**Field descriptions**

Field	Subfield or refinement	Entry	Explanation and action
PTY		R1 to R5, S, or T1 to T5	Party. This field describes the type and number of subscribers assigned to the feature. Enter the party to which the feature belongs.
DF		SHU	Feature. Enter SHU for the Stop Hunt feature.
FEATURE		SHU	Feature. Enter SHU for the Stop Hunt feature.
DATA		see subfields	Data. This field consists of subfields DF and SCANPOINT. Separate each subfield with a single space.
	DF	SHU	Feature. Enter SHU for the Stop Hunt feature.
	SCANPOINT	see subfields	Scan point. This field consists of subfields TMTYPE, TMNO, TMCKTNO, POINT, and NORMALST.
	TMTYPE	MTM or RSM	Trunk module type. If line and scan cards are located at the host switching unit, enter MTM (maintenance trunk module) as the trunk module type on which the scan card is mounted. If line and scan cards are located at a remote location, enter RSM (remote service module) as the trunk module type on which the scan card is mounted.
	TMNO	0 to 2047	Trunk module number. Enter the trunk module number assigned to the trunk module on which the scan card is mounted. The entry value range varies in accordance with the type of trunk module.
	TMCKTNO	0 to 29	Trunk module circuit number. Enter the trunk module circuit number to which the scan point belongs.

LENFEAT feature SHU (end)**Field descriptions**

Field	Subfield or refinement	Entry	Explanation and action
	POINT	0 to 6	Point. Enter the scan point within the trunk module circuit.
	NORMALST	0 or 1	Normal state. Enter the normal state of the scan point. If the scan point is normally off or open, enter 0 (zero). If the scan point is normally on or closed, enter 1.

Datafill example

The following example shows sample datafill for table LENFEAT feature SHU.

This example is datafilled for a line with the following attributes:

- The line with the feature is assigned to LEN 0 1 5 4 at remote site MERV.
- The line is single party.
- The data feature is SHU.
- The key is assigned to scan point 0 of the scan group which is located at circuit 16 on RSM 0 at the remote location with site name MERV.

MAP display example for table LENFEAT feature SHU

LEN	PTY	DF	FEATURE	DATA
MERV 00 1 05 04	S	SHU	SHU	RSM 000 16 0 0

LENFEAT feature SLU

Subscribers Line Usage (SLU)

The Subscribers Line Usage (SLU) feature is assigned to lines that require a peg count of all originating and terminating lines.

If the switching unit has the operational measurement (OM) and data modification order (DMO) selectable subscribers line usage scan interval software, then office parameter OPTIONAL_SLU_FEATURE in table OFCOPT and office parameters ENG640M1_SCAN_RATE, TRA250M1_SCAN_RATE, TRA125M1_SCAN_RATE, and TRA125M2_SCAN_RATE in table OFCVAR must be set to the correct values.

Information required for each line with feature SLU follows:

- if the line is remote, the site name of the remote location
- the line equipment number (LEN) of the line to which the feature is assigned
- the party of the line to which the feature is assigned
- the data feature SLU

Datafill

The following table lists the datafill for table LENFEAT feature SLU.

Field descriptions

Field	Subfield or refinement	Entry	Explanation and action
LEN		see subfields	Line equipment number. This field defines the physical location of the equipment that is connected to a specific telephone line. Because field LEN is common to more than 60 tables, it is documented in a single section to avoid unnecessary duplication. Refer to section "Common entry field LEN" for a complete description of field LEN and associated subfields.
LEN (continued)			Field LEN consists of subfields SITE, FRAME, UNIT, DRAWER or LSG, SHELF, SLOT, and CIRCUIT.

LENFEAT feature SLU (end)**Field descriptions**

Field	Subfield or refinement	Entry	Explanation and action
PTY		S	Party. This field describes the type and number of subscribers assigned to the feature. Enter the party to which the feature belongs.
DF		SLU	Feature. Enter SLU for the Subscribers Line Usage feature.
FEATURE		SLU	Feature. Enter SLU for the Subscribers Line Usage feature.
DATA		see subfields	Data. This field consists of subfield DF.
	DF	SLU	Feature. Enter SLU for the Subscribers Line Usage feature.

Datafill example

The following example shows sample datafill for table LENFEAT feature SLU.

This example is datafilled for a line with the following attributes:

- The line with the feature is assigned to LEN 1 1 3 8 in the host switching unit.
- The line is single party.
- The data feature is SLU.

MAP display example for table LENFEAT feature SLU

LEN	PTY	DF	FEATURE	DATA
HOST 01 1 03 08	S	SLU	SLU	

LENFEAT feature SPB

Special Billing Code (SPB)

The Special Billing Code (SPB) feature is assigned if a number other than the directory number (DN) assigned to the subscriber is required for Automatic Number Identification (ANI) billing.

Information required for each line with feature SPB follows:

- if the line is remote, the site name of the remote location
- the line equipment number (LEN) of the line to which the feature is assigned
- the party of the line to which the feature is assigned
- the data feature SPB
- the DN to which chargeable calls are billed

Field descriptions

Field	Subfield or refinement	Entry	Explanation and action
LEN		see subfields	<p>Line equipment number. This field defines the physical location of the equipment that is connected to a specific telephone line.</p> <p>Because field LEN is common to more than 60 tables, it is documented in a single section to avoid unnecessary duplication. Refer to section "Common entry field LEN" for a complete description of field LEN and associated subfields.</p> <p>Field LEN consists of subfields SITE, FRAME, UNIT, DRAWER or LSG, SHELF, SLOT, and CIRCUIT.</p>
PTY		R1 to R5, S, or T1 to T5	Party. This field describes the type and number of subscribers assigned to the feature. Enter the party to which the feature belongs.
DF		SPB	Feature. Enter SPB for the Special Billing feature.
FEATURE		SPB	Feature. Enter SPB for the Special Billing feature.

LENFEAT feature SPB (continued)**Field descriptions**

Field	Subfield or refinement	Entry	Explanation and action
DATA		see subfields	Data. This field consists of subfields DF and DN. Separate each subfield with a single space.
	DF	SPB	Feature. Enter SPB for the Special Billing feature.
	DN	numeric (7 or 10 digits)	Directory number. If the office is non-LAMA (local automatic message accounting), enter the seven-digit special billing number. If the office is LAMA, enter the ten-digit special billing number (NPA + DN). Entries other than seven or ten-digit numbers are not valid.

Datafill example

The following example shows sample datafill for table LENFEAT feature SPB.

This example is datafilled for a line with the following attributes:

- The line with the feature is assigned to LEN 1 1 4 6 at the host switching unit.
- The line is single party.
- The data feature is SPB.
- The number to which all billable calls are charged is 904-1688 and the switching unit is non-LAMA. (For the assignment of OUTWATS to this line, see feature OUTWT.)

LENFEAT feature SPB (end)

MAP display example for table LENFEAT feature SPB

LEN	PTY	DF	FEATURE	DATA
HOST 01 1 04 06	S	SPB	SPB	9041688

LENFEAT feature TBO

Terminating Billing Option (TBO)

The Terminating Billing Option (TBO) feature provides a billable method for charging the end user for a call. With the TBO feature, the operating company can generate automatic message accounting (AMA) records for calls terminating to lines. When a call terminates to a line that has the TBO feature assigned, an AMA record with a call code between 800 and 999 is generated for each call terminating to that line. The call code is assigned when the TBO feature is added to the line.

Information required for each line with feature TBO follows:

- the line equipment number (LEN) of the line to which the feature is assigned
- the party of the line to which the feature is assigned
- the feature TBO
- the call code for the AMA record
- the service feature code

Datafill

The following table lists the datafill for table LENFEAT feature TBO.

Field descriptions

Field	Subfield or refinement	Entry	Explanation and action
LEN		see subfields	<p>Line equipment number. This field defines the physical location of the equipment that is connected to a specific telephone line.</p> <p>Because field LEN is common to more than 60 tables, it is documented in a single section to avoid unnecessary duplication. Refer to section "Common entry field LEN" for a complete description of field LEN and associated subfields.</p> <p>Field LEN consists of subfields SITE, FRAME, UNIT, DRAWER or LSG, SHELF, SLOT, and CIRCUIT.</p>

LENFEAT feature TBO (continued)**Field descriptions**

Field	Subfield or refinement	Entry	Explanation and action
PTY		R1 to R5, S, or T1 to T5	Party. This field describes the type and number of subscribers assigned to the feature. Enter the party to which the feature belongs.
DF		TBO	Feature. Enter TBO for the Terminating Billing Option Feature.
DATA		see subfields	Data. This field consists of subfields DF and TBOVARS. Separate each field with a single space.
	DF	TBO	Feature. Enter TBO for the Terminating Billing Option Feature.
	TBOVARS	see subfields	Terminating Billing Option variables. This field consists of subfields CALLCODE and SFPRSNT.
	CALLCODE	800 to 999	Call code. This field identifies the call code for the automatic message accounting (AMA) record.
	SFPRSNT	Y or N	Service feature code present. This field indicates whether there is a service code associated with the feature that is recorded on the AMA record. Enter Y (yes) if there is a service code, and datafill refinement SFVAL. Otherwise, enter N (no). No further datafill is needed.
	SFVAL	800 to 999	Service feature value. Enter the code associated with the feature.

Datafill example

The following example shows sample datafill for table LENFEAT feature TBO.

This example is datafilled for a line with the following attributes:

- The line with the feature is assigned to LEN 0 0 0 1 at the host switching unit.
- The line is single party.

LENFEAT feature TBO (end)

- The feature is TBO.
- The call code on the AMA record is 800.
- There is a service feature code present, which is 800.

MAP display example for table LENFEAT feature TBO

LEN	PTY	DF	FEATURE	DATA
HOST 00 0 00 01	S	TBO	TBO	800 Y 800

LENFEAT feature WLN

Warm Line (WLN) (international loads only)

The Warm Line feature (WLN), which is present in international loads only, enables the subscriber to reach a predetermined directory number (DN) by lifting the handset. This feature is assigned by the operating company, but both the subscriber and the operating company have the ability of activating, deactivating, and programming the feature with the destination target DN. The recommended feature code for WLN is 53 and is datafillable by the operating company in table ACCODE.

When the subscriber lifts the handset, the switch starts a timer. If the subscriber does not start dialing before the timer expires, the switch sets up a path to the predetermined terminating target number upon timeout. If the subscriber starts dialing before the timeout, the timer is canceled and the call is processed as a POTS call on the system.

Feature assignment

Feature WML is assigned by the operating company on request from the subscriber. The subscriber can also request a timeout value of 5 to 15 s for use with this feature. The default value of the timeout is stored in office parameter WLN_DEFAULT_TIMEOUT in table OFCVAR. This parameter, which can be changed by the operating company, has a default value of 5 s.

The assignment of WLN is accomplished through the Service Order System (SERVORD). The WLN features becomes active immediately after the execution of the SERVORD transaction.

Operating company assignment charges apply on assignment of this feature.

Feature activation and programming

The WLN feature can be activated and programmed by the subscriber or the operating company.

The operating company can activate and program the WLN feature through SERVORD. Operating company activation charges apply only if WLN is activated. Feature WLN becomes active immediately after the execution of the SERVORD transaction.

Subscribers can activate and program the WLN feature. Each subscriber has the option of changing the destination DN if the feature is already active. The subscriber cannot modify the timeout value associated with the feature unless a specific request to the operating company is made. Subscriber activation and programming charges apply.

LENFEAT feature WLN (continued)

Feature query

Subscribers have the ability to query WLN data. The two types of queries are status check (activity status) and data check (destination directory verification). In both cases, charges apply.

Feature deactivation

The WLN feature can be deactivated by the subscriber as well as by the operating company. The operating company can deactivate the WLN feature through SERVORD. The WLN feature becomes inactive immediately after the execution of the SERVORD transaction. No WLN charges are applied.

Subscribers have the ability to deactivate WLN by using a special dialing sequence. The WLN feature is deactivated immediately after the execution of this dialing sequence. No WLN charges are applied in this case.

Feature deassignment

The WLN feature is deassigned by the operating company on request from the subscriber. The deassignment is accomplished through SERVORD. The WLN feature is immediately withdrawn from the subscriber after the execution of the SERVORD transaction. No WLN charges are applied in this case.

Usage

The WLN feature is used in the following manner:

- The handset is lifted, dial tone is received on the handset, and the timeout period begins.
- The timeout period expires, and the call is automatically set up between the subscriber and the predetermined destination DN. WLN usage charges are applied.

If the subscriber starts dialing before the timer expires, the WLN setup is automatically cancelled for the call. The call then proceeds as a POTS call. No WLN usage charges are applied.

Restrictions and limitations

Feature WLN is not compatible with feature HTL.

The destination DN is stored as it is entered without any routing or translation verification.

This feature can be assigned to standard (STD) lines only.

LENFEAT feature WLN (continued)

Billing information

The WLN feature interacts with the DMS switch IFM system as well as with the regular metering system in billing the subscriber for the usage of this feature. Actions that result in a charge being incurred by IFM follow.

Feature assignment

A charge is incurred by the initial assignment of the WLN to the subscriber by the operating company.

Feature activation by operating company

A charge is incurred when the operating company activates WLN for the subscriber. Note that the activation charges are not incurred on feature assignment or when WLN data is modified without activation of the feature (for example, if the destination DN is changed without being activated).

Feature activation by subscriber

A charge is incurred when the subscriber activates, programs, or reprograms WLN using a special dialing sequence.

Feature usage

The subscriber is charged each time the WLN feature is used to set up a call. The subscriber is not charged for WLN feature usage if dialing is initiated before the timeout occurs and the call setup follows standard POTS procedures.

Feature query by the subscriber

The subscriber is charged each time the WLN feature is queried by the subscriber. The charges for both types of interrogation (status check and data check) are equivalent.

All charges are datafillable in table FEATCHG and are billed to the feature meter. The subscriber is also billed for normal duration and distance charges whenever a call terminates on a chargeable DN. These charges are billed to a regular meter.

LENFEAT feature WLN (continued)**Datafill**

The following table lists the datafill for table LENFEAT feature WLN.

Field descriptions

Field	Subfield or refinement	Entry	Explanation and action
LEN		see subfields	<p>Line equipment number. This field defines the physical location of the equipment that is connected to a specific telephone line.</p> <p>Because field LEN is common to more than 60 tables, it is documented in a single section to avoid unnecessary duplication. Refer to section "Common entry field LEN" for a complete description of field LEN and associated subfields.</p> <p>Field LEN consists of subfields SITE, FRAME, UNIT, DRAWER or LSG, SHELF, SLOT, and CIRCUIT.</p>
PTY		S	Party. Enter the party to which the feature belongs. The only valid entry for this field is S (single party).
DF		WLN	Feature. Enter WLN for the Warm Line feature.
FEATURE		WLN	Feature. Enter WLN for the Warm Line feature.
DATA		see subfields	Data. This field consists of subfields DF, ACTIVE, WLNTIME, and WLNDN. Separate each subfield with a single space.
	DF	WLN	Feature. Enter WLN for the Warm Line feature.
	ACTIVE	Y or N	Feature active. Enter Y (yes) to activate the feature. Otherwise, enter N (no).

LENFEAT feature WLN (continued)**Field descriptions**

Field	Subfield or refinement	Entry	Explanation and action
	WLNTIME	5 to 15 or 0	<p>Warm Line timeout. Enter the warm line timeout period in seconds or enter 0 (zero) to indicate that the default timeout period is to be used.</p> <p>Entry values that are less than 5 or greater than 15 are not valid.</p> <p>The default timeout period is specified in table OFCVAR by office parameter WLN_DEFAULT_TIMEOUT.</p>
	WLNDN	numeric (1 to 18 digits)	<p>Warm Line directory number. Enter the DN to which a connection must be made when the subscriber picks up the telephone handset and waits for the timeout. The entry must be a valid DN.</p> <p>Entries B, C, D, E, and F are not valid. Entries \$ and N are only valid if feature WLN is not active.</p>

Datafill example

The following example shows sample datafill for table LENFEAT feature WLN.

This example is datafilled for a line with the following attributes:

- The line with the feature is assigned to LEN 1 0 0 3 at the switching unit.
- The line is single party.
- The data feature is WLN.
- The feature is active.
- The timeout value is 10 s.
- Calls are forwarded to DN 613-456-7890.

LENFEAT feature WLN (end)

MAP display example for table LENFEAT feature WLN

LEN	PTY	DF	FEATURE	DATA
HOST 00 1 00 03	S	WLN	WLN	Y 10 6134567890

LENFEAT feature WML

Warm Line (WML)

The Warm Line (WML) feature enables the subscriber to reach a predetermined directory number (DN) by lifting the handset. This feature is assigned by the operating company, which has the ability to program the feature with the destination target DN, and activate or deactivate the feature. The subscriber can be assigned the ability to activate, deactivate, and program the feature also.

When the subscriber lifts the handset, the switch applies dial tone and starts a timer. If the subscriber does not start dialing before the timer expires, the switch sets up a path to the predetermined terminating target DN upon time-out. If the subscriber starts dialing before the time-out, the timer is canceled and the call is processed as a POTS call on the system.

Information required for each line with feature WML follows:

- if the line is remote, the site name of the remote location
- the line equipment number (LEN) to which the line with the feature is assigned
- the party of the line to which the feature is assigned
- the data feature WML
- whether the subscriber can update the forward number and activate or deactivate the feature
- whether the feature is active
- the 1- to 18-digit DN to which the line is forwarded when the dial tone timer expires
- the dial tone time-out period

LENFEAT feature WML (continued)**Datafill**

The table that follows lists datafill for table LENFEAT feature WML.

Field descriptions

Field	Subfield or refinement	Entry	Explanation and action
LEN		see subfields	<p><i>Line equipment number</i></p> <p>This field defines the physical location of the equipment that is connected to a specific telephone line.</p> <p>Because field LEN is common to more than 60 tables, it is documented in a single section to avoid unnecessary duplication. Refer to section "Common entry field LEN" for a complete description of field LEN and associated subfields.</p> <p>Field LEN consists of subfields SITE, FRAME, UNIT, DRAWER or LSG, SHELF, SLOT, and CIRCUIT.</p>
PTY		R1 to R5, S, or T1 to T5	<p><i>Party</i></p> <p>This field describes the type and number of subscribers assigned to the feature. Enter the party to which the feature belongs.</p>
DF		WML	<p><i>Feature</i></p> <p>Enter WML for the Warm Line feature.</p>
FEATURE		WML	<p><i>Feature</i></p> <p>Enter WML for the Warm Line feature.</p>
DATA		see subfields	<p><i>Data</i></p> <p>This field consists of subfields DF, CUSTMOD, ACTIVE, DN, TIMEOUT, and FTCODE. Separate each subfield with a single space.</p>
	DF	WML	<p><i>Feature</i></p> <p>Enter WML for the Warm Line feature.</p>

LENFEAT feature WML (continued)**Field descriptions**

Field	Subfield or refinement	Entry	Explanation and action
	CUSTMOD	Y or N	<p><i>Subscriber modifiable</i></p> <p>Enter Y (yes) if the subscriber requires the ability to update the forward number (using the code supplied by office parameter WML_ACCESS_CODE in table OFCVAR) and activate or deactivate the feature. Otherwise, enter N (no).</p>
	ACTIVE	Y or N	<p><i>Active</i></p> <p>Enter Y to activate this feature for the line. Enter N to deactivate the feature.</p> <p>If subfield CUSTMOD is set to Y, subscribers can control this field.</p>
	DN	numeric (1 to 18 digits)	<p><i>Forward directory number</i></p> <p>Enter the DN to which the line is forwarded if a subscriber with an active WML allows the dial tone to time-out.</p>
	TIMEOUT	1 to 20	<p><i>Dial tone time-out</i></p> <p>Enter the value of the dial tone time-out, in seconds, that is used when the line has active WML.</p>
	FTCODE	Y or N	<p><i>Feature access code</i></p> <p>Enter Y to allow subscriber to dial octothorpe (#) to access MDC features. Enter N to allow subscriber to dial # to override Warm Line feature timer. FTCODE is prompted when office parameter WML_OCT_IS_LINE_OPT_PARM is set to Y.</p>

Datafill examples

The figures that follow show sample datafill for table LENFEAT feature WML.

LENFEAT feature WML (end)

Both examples are datafilled for a line with the following attributes:

- The line with the feature is assigned to LEN 1 0 6 4 at the host switching unit.
- The line is single party.
- The data feature is WML.
- The forward DN and the state of the feature (active or non-active) are subscriber modifiable.
- Feature WML is active.
- The forward DN is 723-6176.
- The dial tone time-out is 5 s.

The first example is with office parameter WML_OCT_IS_LINE_OPT_PARM enabled which gives the FTCODE prompt. The customer can dial # to access MDC features.

MAP display example for table LENFEAT feature WML with FTCODE prompt

	LEN	PTY	DF	FEATURE	DATA
HOST	01 0 06 04				
		S		WML WML	Y Y 7236176 05 Y

The second example is with office parameter WML_OCT_IS_LINE_OPT_PARM disabled which removes the FTCODE prompt.

MAP display example for table LENFEAT feature WML with no FTCODE prompt

	LEN	PTY	DF	FEATURE	DATA
HOST	01 0 06 04				
		S		WML WML	Y Y 7236176 05

DMS-100 Family
North American DMS-100
Customer Data Schema Reference Manual
Volume 6 of 12
Data Schema IOC-LENFEAT feature WML

Product Documentation - Dept. 3423
Nortel Networks
P.O. Box 13010
RTP, NC 27709-3010
Telephone: 1-877-662-5669
email: cits@nortelnetworks.com

Copyright © 1996-2001 Nortel Networks,
All Rights Reserved

NORTEL NETWORKS CONFIDENTIAL: The information contained herein is the property of Nortel Networks and is strictly confidential. Except as expressly authorized in writing by Nortel Networks, the holder shall keep all information contained herein confidential, shall disclose the information only to its employees with a need to know, and shall protect the information, in whole or in part, from disclosure and dissemination to third parties with the same degree of care it uses to protect its own confidential information, but with no less than reasonable care. Except as expressly authorized in writing by Nortel Networks, the holder is granted no rights to use the information contained herein.

Information is subject to change without notice. Nortel Networks reserves the right to make changes in design or components as progress in engineering and manufacturing may warrant. Changes or modification to the DMS-100 without the express consent of Nortel Networks may void its warranty and void the user's authority to operate the equipment.

Nortel Networks, the Nortel Networks logo, the Globemark, How the World Shares Ideas, Unified Networks, DMS, DMS-100, Helmsman, MAP, Meridian, Nortel, Northern Telecom, NT, Supernode, and TOPS are trademarks of Nortel Networks.

Publication number: 297-8021-351
Product release: LET0015 and up
Document release: Standard 05.02
Date: May 2001
Printed in the United States of America

