

RJ25C

IDENTIFICATION AND MAINTENANCE

REGISTRATION INTERFACE BRIDGED 3-LINE TIP AND RING ARRANGEMENTS

1. GENERAL

1.01 This section provides information on the standard wiring arrangements to be provided under the Federal Communications Commission (FCC) Registration Program for registered telephone, ancillary, data, and protective circuitry of the type associated with telephones, ancillary equipment, systems, or data equipment which is provided by the telephone company or the customer.

Note: Registered data equipment connected to the network via the jack in this section must have a fixed signal power level under -9 dBm. See Section 590-101-103 for connection of other data devices.

1.02 This section is reissued to:

- (a) Add 153AM3 and BM3 adapters for use where connector cable is in place (Fig. 5)
- (b) Show 625S6 connecting block replacing the 74D connecting block (Fig. 4)
- (c) Revise information on Uniform Service Order Code (USOC) RJ25C to show it as the network interface for designated private line services.

Revision arrows are used to emphasize the more significant changes. The Equipment Test List (ETL) is not affected.

1.03 This section covers 3-line bridged tip and ring arrangements. For information on other bridged tip and ring arrangements, refer to the following:

- Single line — Section 463-400-120
- Two line — Section 463-400-140
- Multiple (more than three) — Section 463-400-141.

1.04 A 74D ♦manufacture discontinued (MD)♦ (Fig. 1) or ♦625S6 (Fig. 2)♦ connecting block or equivalent can be used to provide the 6-position modular jack required for this arrangement. ♦Where connector cable is in place, the 153AM3 and BM3 (Fig. 5) may be used.♦

2. IDENTIFICATION

2.01 USOC RJ25C provides a bridged connection of the tip and ring of up to three lines to the ♦registered equipment (Fig. 3 and 4). It can also be used as the network interface of designated private line services. Only the tips and rings are provided through the interface. The complete lead designation will depend on the private line service as follows: Message Registration — T(MR), R(MR), Off-Premises Station — T(OPS), R(OPS), or Automatic Identification Outward Dialing — T(AI), R(AI).

2.02 Those services similar to RJ25C can also be intermixed with other properly structured jack arrangements. For information on other jack arrangements, refer to Sections 463-400-100 through 463-400-150. If the services are intermixed in any of the arrangements having more leads, the unused leads cannot be assigned since the structure of the jack would be changed. For instance, if services for RJ25C (having T, R leads) is intermixed with services for RJ2DX (having T, R, T1, R1 leads), the pins assigned to the T1, R1 leads in that particular circuit position must be left vacant.♦

3. MAINTENANCE

3.01 Maintenance of the wiring arrangements covered in this section is limited to verification of the telephone company wiring and equipment and assurance that the required leads are supplied in the interface used for ♦registered equipment connection.♦

NOTICE

Not for use or disclosure outside the
Bell System except under written agreement



No attempt should be made to test, modify, or repair customer-owned and maintained equipment.

3.02 When in the judgment of repair personnel the trouble is located in or caused by the customer-provided equipment (CPE), the Repair Service Bureau should be notified so proper Maintenance of Service Charge Billing can be initiated as required and outlined in Section 660-101-312 — Maintenance of Service Charge on Services With Customer-Provided Equipment (CPE) and Section 660-101-318 — Tariff and Registration Violation Notice Procedures.

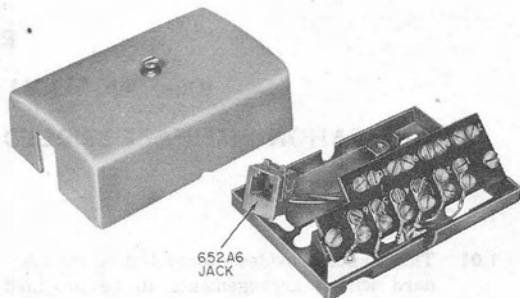


Fig. 1—74D (MD) Connecting Block

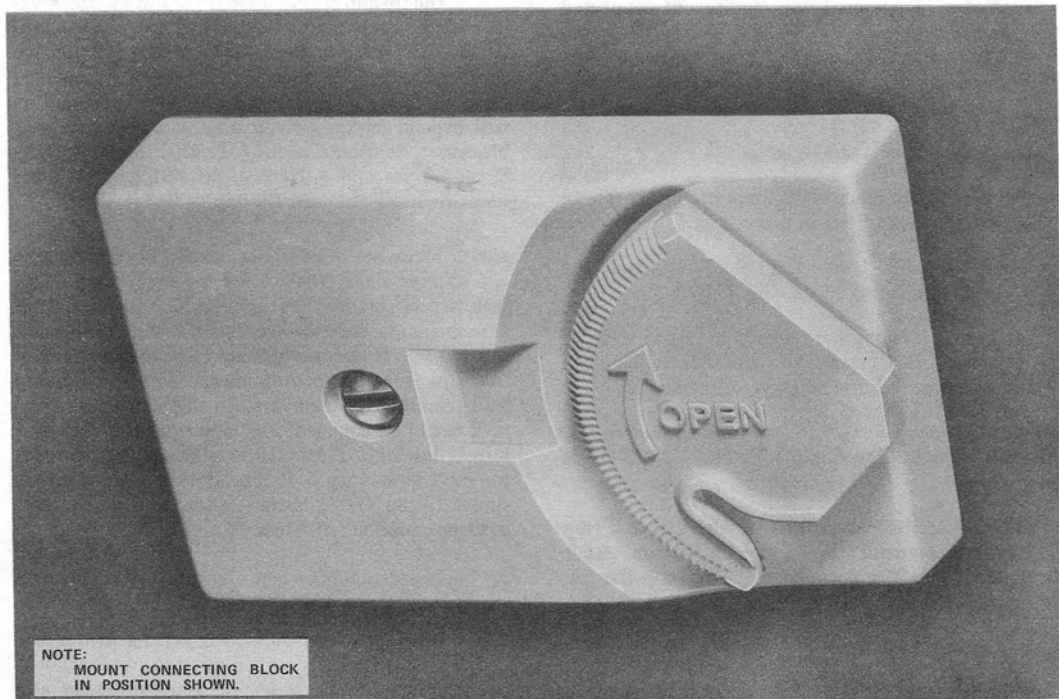


Fig. 2—62556 Connecting Block

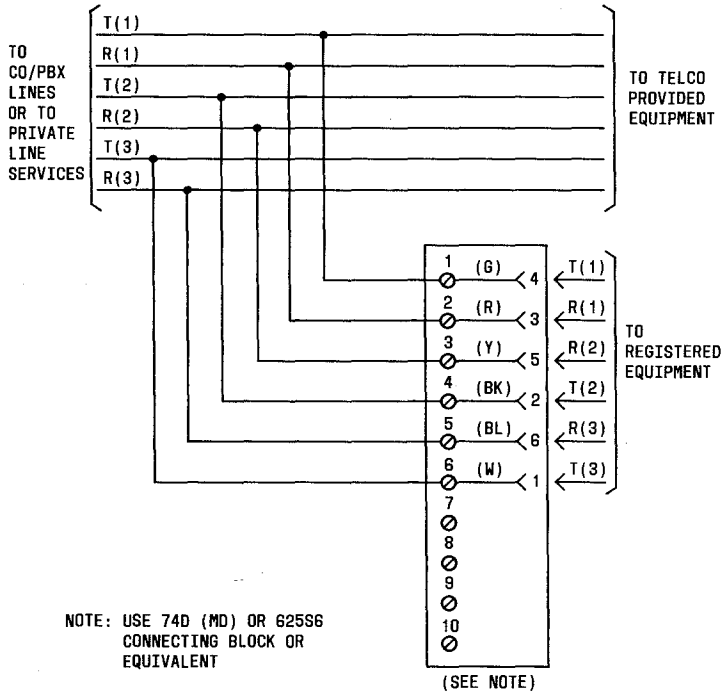


Fig. 3—Connections for USOC RJ25C Using 74D (MD) Connecting Block

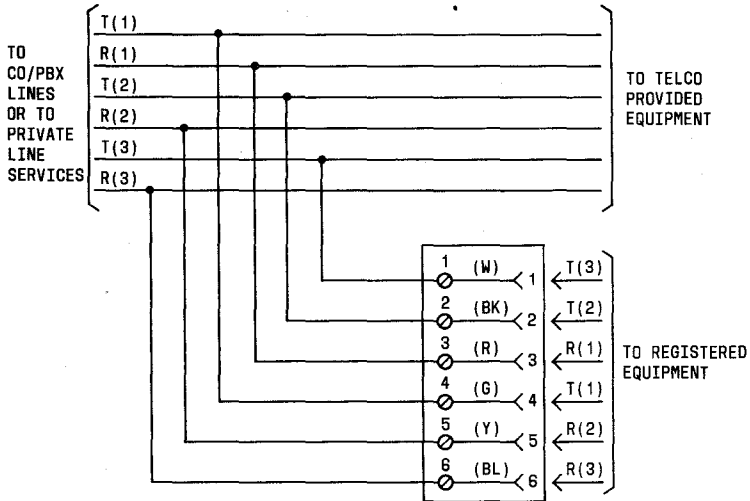


Fig. 4—Connections for USOC RJ25C Using 62556 Connecting Block

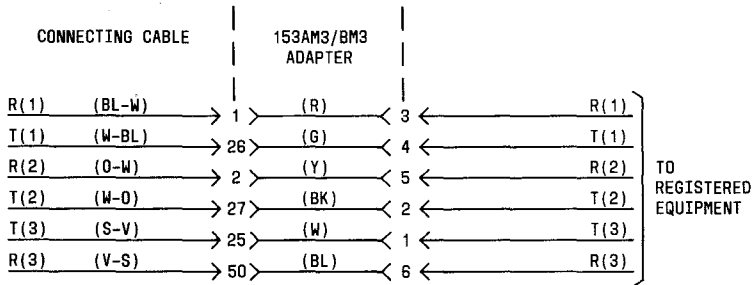


Fig. 5—Connections for 153AM3 and BM3 Adapters