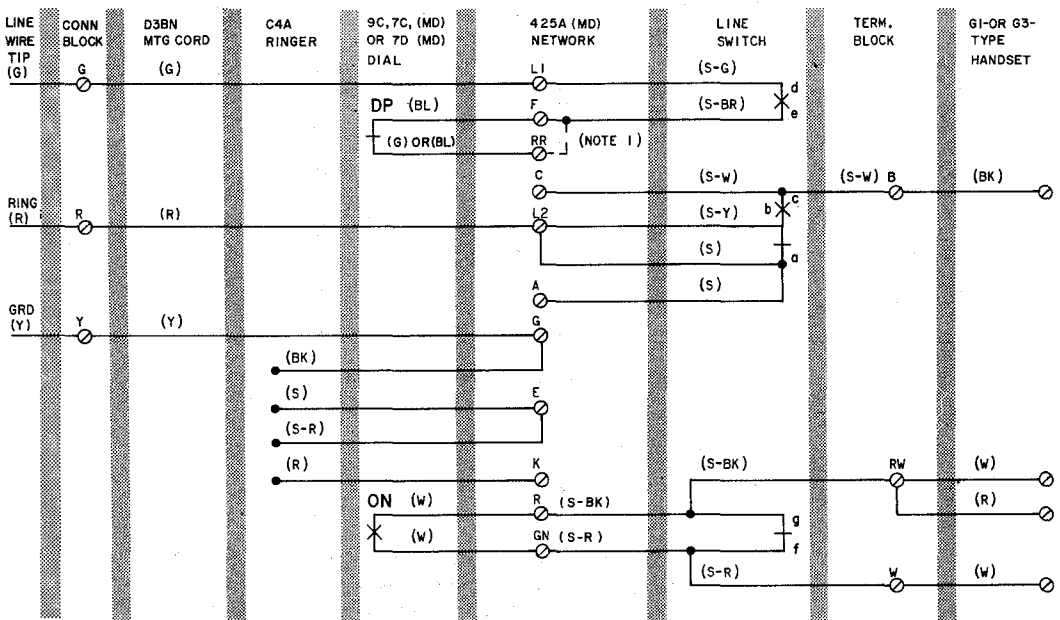


SERVICE

500J/K TELEPHONE SETS

1. GENERAL

1.01 Reissued to add nontechnical changes to Fig. 1.



NOTES:

1. FOR MANUAL SERVICE, MOVE (S-BR) LEAD FROM F TO RR TERMINAL.
2. SET WIRED FOR RING PARTY. REFER TO TABLE A FOR CLASSES OF SERVICE NOT SHOWN.
3. LINE SWITCH SEQUENCE, HANDSET REMOVED.

(1) bc MAKES	(3) ab BREAKS
(2) de MAKES	(4) gf BREAKS

DP DIAL PULSE CONTACT

ON DIAL OFF-NORMAL CONTACT

Fig. 1—500J/K (MD) Telephone Set, Connections

TABLE A
LINE AND RINGER CONNECTIONS

WIRE OR LEAD	COLOR	INDIVIDUAL OR BRIDGED	RING PARTY	TIP PARTY NO IDENT GROUND	TIP PARTY IDENT GRD	
					1000Ω	2650Ω
Ringer Leads	R	K	K	K	K	M
	BK	G	G	G	G	R
	S	E	E	E	M	K
	S-R	E	E	E	R	G
Line Switch	S	L2-A	L2-A	L2-A	A	A
Mtg Cord in Set	R	L2	L2	L2	L2	L2
	G	L1	L1	L1	L1	L1
	Y	G	G	G	G	G
Mtg Cord at Conn Block	R	R	R	G	G	G
	G	G	G	R	R	R
	Y	G	Y	Y	Y	Y
Line Wire at Conn Block	Ring Tip GRD	R	R	R	R	R
		G	G	G	G	G
		Y	Y	Y	Y	Y

Notes:

1. To silence ringer for all classes of service except tip party ground identification, connect Y mounting cord to same terminal as R mounting cord lead at connecting block.
2. To silence ringer permanently when connected for:
 - 1000Ω GRD — remove (R) from K of network and insulate and store.
 - 2650Ω GRD — remove (S) from K of network and insulate and store.



Spade tips or skinned wires should come in contact only with terminal to which connection is made. Electrical contact with metal tab of the network housing may cause the exposed dial finger stop to become energized with ringing current or dc line current.