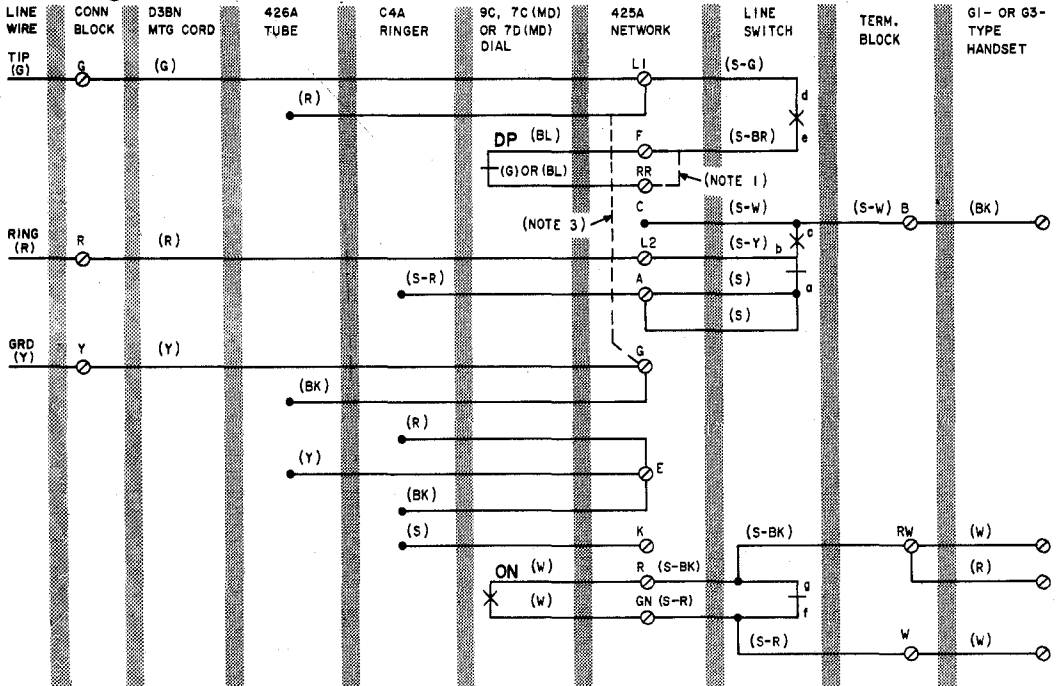


SERVICE

501J/K TELEPHONE SETS

1. GENERAL

1.01 Reissued to add nontechnical changes to Fig. 1.



NOTES:

1. FOR MANUAL SERVICE, MOVE (S-BR) LEAD FROM F TO RR TERMINAL.
2. TO SILENCE RINGER PERMANENTLY: CONNECT (Y) MOUNTING CORD LEAD TO SAME TERMINAL AS (R) MOUNTING CORD LEAD AT CONNECTING BLOCK.
3. FOR NEGATIVE STATIONS IN OFFICES WITHOUT ANI, (R) LEAD FROM 426A TUBE MAY BE CONNECTED TO G IF RINGER OPERATION IS MARGINAL.
4. WIRED FOR NEGATIVE RING PARTY FOR CLASSES OF SERVICE NOT SHOWN, REFER TO TABLE A.
5. LINE SWITCH SEQUENCE, HANDSET REMOVED.
(1) bc MAKES (3) ab BREAKS
(2) de MAKES (4) gf BREAKS

DP - DIAL PULSE CONTACT
ON - DIAL OFF-NORMAL CONTACT

Fig. 1—501J/K (MD) Telephone Set, Connections

TABLE A
LINE, RINGER, AND TUBE CONNECTIONS

WIRE OR LEAD		COLOR	NEGATIVE (-)	POSITIVE (+)
			RING PARTY*	RING PARTY*
			1-5	3-7
			RING	RING
Ringer Leads		R	E	A
		BK	E	K
		S	K	E
		S-R	A	E
Line Switch		S	A	A
426A Tube (3-Element)		R	L1 or G	A
		BK	G	E
		Y	E	G
Mtg Cord in Set		R	L2	L2
		G	L1	L1
		Y	G	G
Mtg Cord at Conn Block		R	R	R
		G	G	G
		Y	Y	Y
Line Wire at Conn Block	Ring	R	R	R
	Tip	G	G	G
	GRD	Y	Y	Y

* For tip party stations reverse (G) and (R) mounting cord leads.

Note: Factory-wired for negative tip or ring station.