

SERVICE

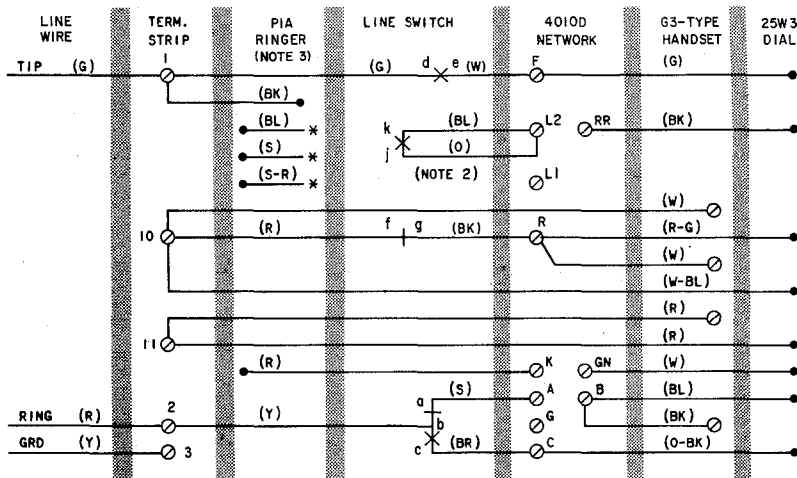
1554B TELEPHONE SETS

1. GENERAL

- Show (BL) lead removed from later model ringers

1.01 Reissued to:

- Change P-90D053 Guard Assembly to D-180190 Guard Assembly



NOTES:

1. WIRED FOR BRIDGED RINGING, REFER TO TABLE A FOR ALL OTHER CLASSES OF SERVICE.
2. CURRENT PRODUCTION SETS DO NOT HAVE CONTACTS J-K AND ASSOCIATED (O) AND (BL) LEADS.

* INSULATED AND STORED

3. (BL) LEAD HAS BEEN REMOVED FROM LATE MODEL RINGERS.

LINE SWITCH SEQUENCE:

- bc- MAKE
- de- MAKE
- ab- BREAK
- fg- BREAK

♦ Fig. 1—1554B (MD) Telephone Set, Connections With 25W3 (MD) Dial ♦

TABLE A
LINE AND RINGER CONNECTIONS

WIRE OR LEAD		INDIVID OR BRIDGED	RING PARTY	TIP PARTY		
				NO IDENT. GROUND	IDENTIFYING GROUND	
					1000Ω	2650Ω
Line Wire	G	1	1	2	2	2
	R	2	2	1	1	1
	Y	3	3	3	3	3
Ringer Leads	R	K	K	K	K	K
	BK	1	3	3	3	3
	S	*	*	*	B	*
	S-R	*	*	*	*	B
	BL †	*	*	*	*	*
Line Switch	W	F†	F†	C	C	C
	BR	C	C	F†	F†	F†

*Insulated and stored.

†May be terminal G in older sets equipped with 4010B networks.

‡(BL) lead has been removed from later model ringers.

Notes: 1. (S) ringer lead may appear on terminal L2 in sets manufactured from 2 1964 to 8 1964.

2. To silence ringer permanently:

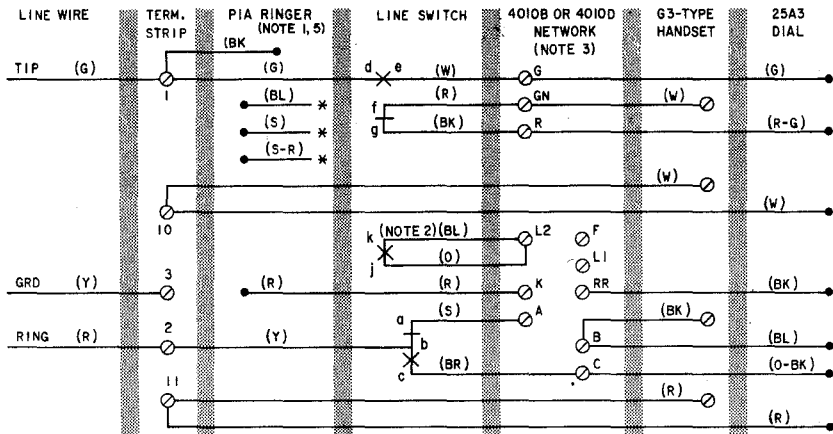
- (a) For all classes except tip party with identifying ground, remove, insulate, and store the (BK) ringer lead.
- (b) For tip party with 1000 or 2650 ohm identifying ground, remove, insulate, and store (R) ringer lead.

♦ TABLE B ♦

POLARITY GUARD CONNECTIONS
(D-180190 GUARD ASSEMBLY)

LEAD	COLOR	DISCONNECT FROM	CONNECT TO	
		NETWORK	NETWORK	POLARITY GUARD
Dial	BK	RR		T
Line Switch	BR	C		S
Polarity Guard	G		RR	
	W		C	

Note: For use when specified by local instructions for end-to-end signaling installations.



NOTES:

1. (S) RINGER LEAD MAY APPEAR ON TERMINAL L2 IN SOME SETS.
 2. (BL) AND (O) LEADS MAY NOT EXIST ON SOME LINE SWITCHES. IN ADDITION, IN SOME SETS THEY MAY APPEAR ON L1 OF THE NETWORK.
 3. (W) LINE SWITCH AND (G) DIAL LEADS MAY APPEAR ON F IN SETS EQUIPPED WITH 4010B NETWORK.
 4. WIRED FOR BRIDGED RINGING, REFER TO TABLE A FOR ALL OTHER CLASSES OF SERVICE.
LINE SWITCH SEQUENCE:
bc - MAKE
de - MAKE
ab - BREAK
fg - BREAK
 5. (BL) LEAD HAS BEEN REMOVED FROM LATER MODEL RINGERS.
- * INSULATED AND STORED.

◆ Fig. 2—1554B (MD) Telephone Set, Connections With 25A3 (MD) Dial ◆