

SERVICE
1511F/H TELEPHONE SETS

1. GENERAL

↓ **TABLE A** ↓

1.01 Reissued to add nontechnical changes and MD information to Fig. 1, 2, and Table A.

POLARITY GUARD CONNECTIONS

(P-90D052 GUARD ASSEMBLY)

LEAD	COLOR	REMOVE FROM	CONNECT TO	
		NET.	POLARITY GUARD	NET.
Dial	BK G-W*	RR C	T S	
Line Switch	W	C	S	
Polarity Guard	G W			RR C

Note: For use when specified by local instructions for end-to-end signaling installations.

* Lead exists on 25Y3 (MD) dial only.

SECTION 502-532-408

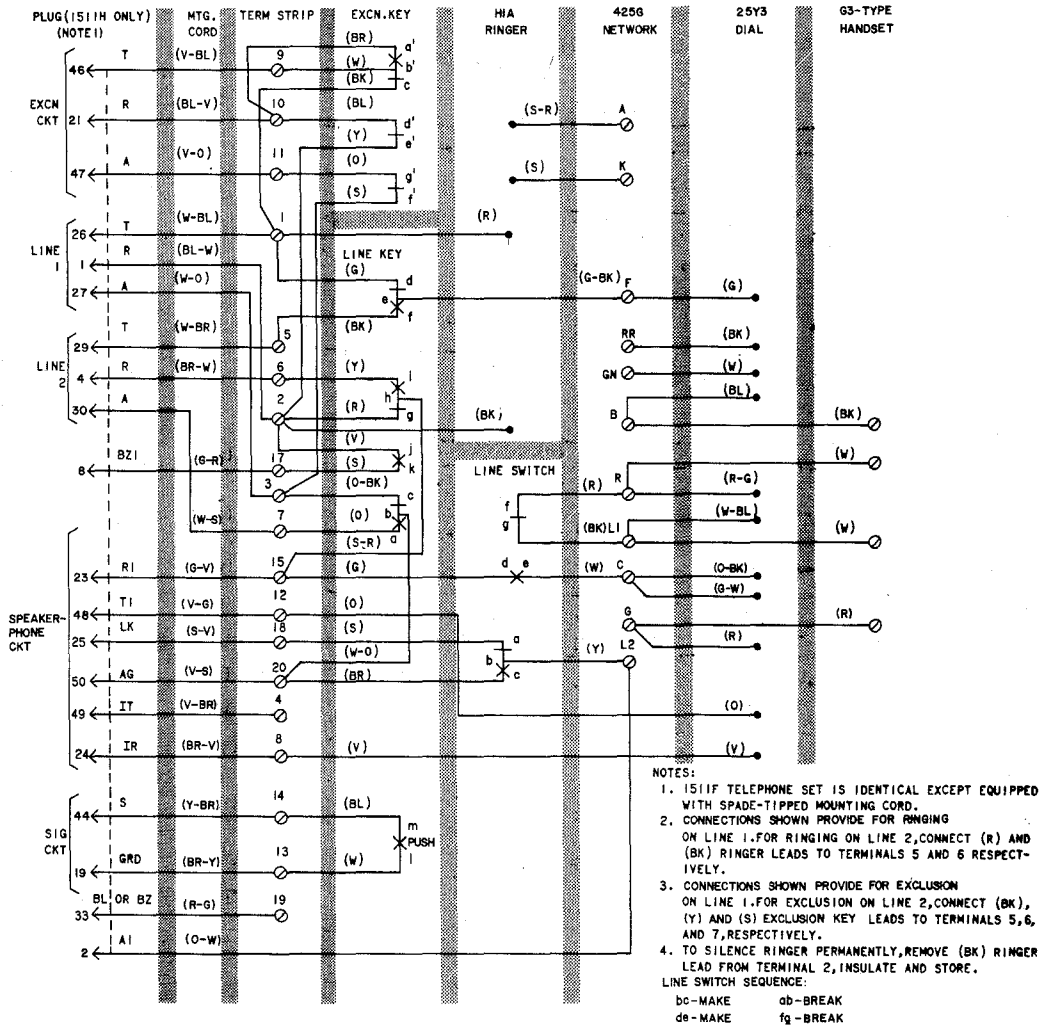


Fig. 1—1511F/H (MD) Telephone Set Connections Equipped with 25Y3 (MD) Dial

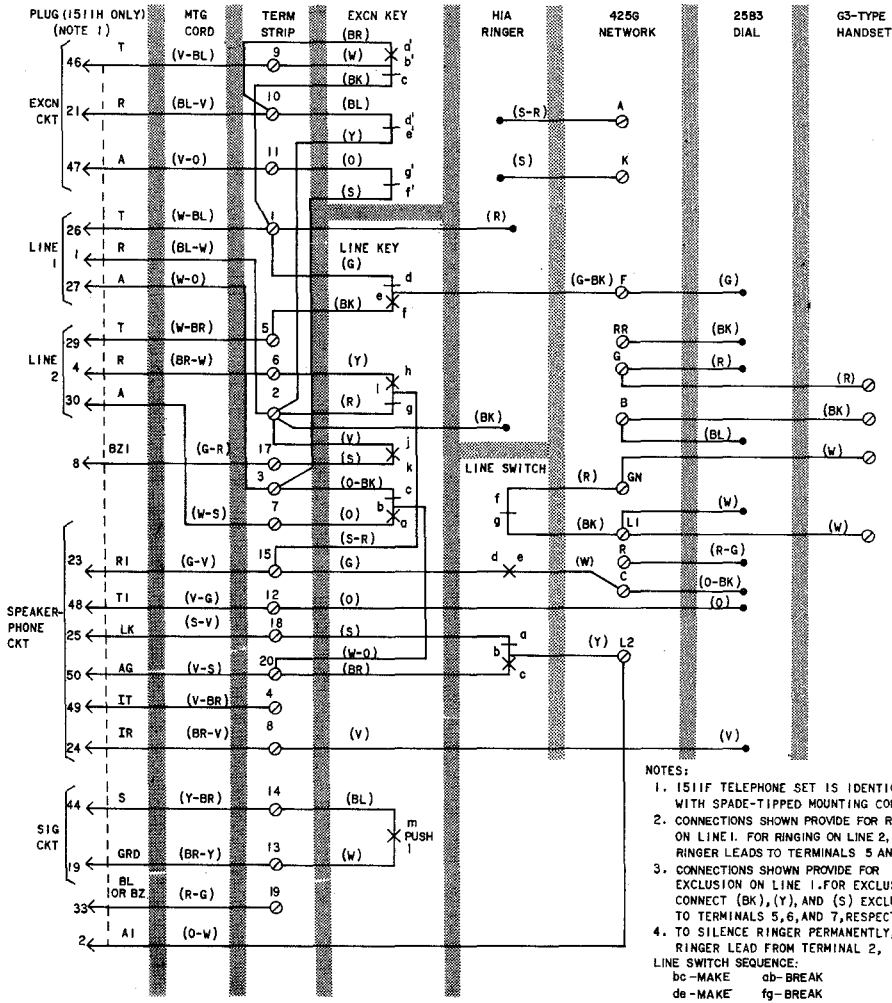


Fig. 2—1511F/H (MD) Telephone Set Connections Equipped with 25B3 (MD) Dial