

SERVICE

1515B TELEPHONE SETS

1. GENERAL

1.01 Reissued to add nontechnical changes to Fig. 1.

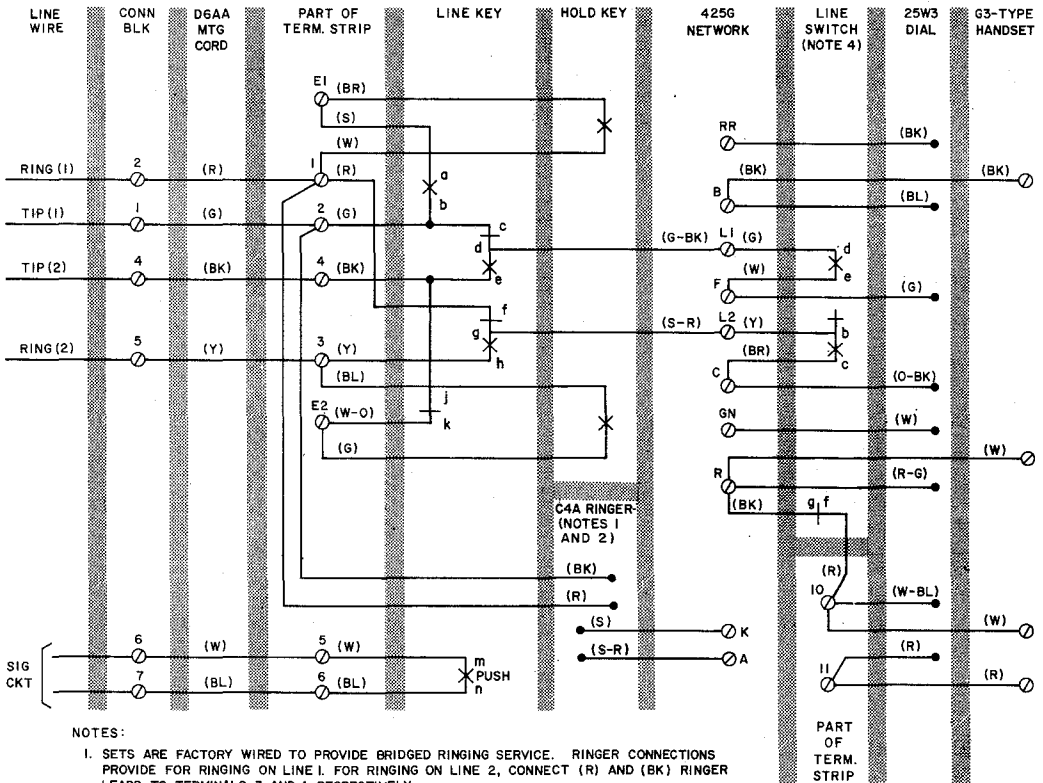
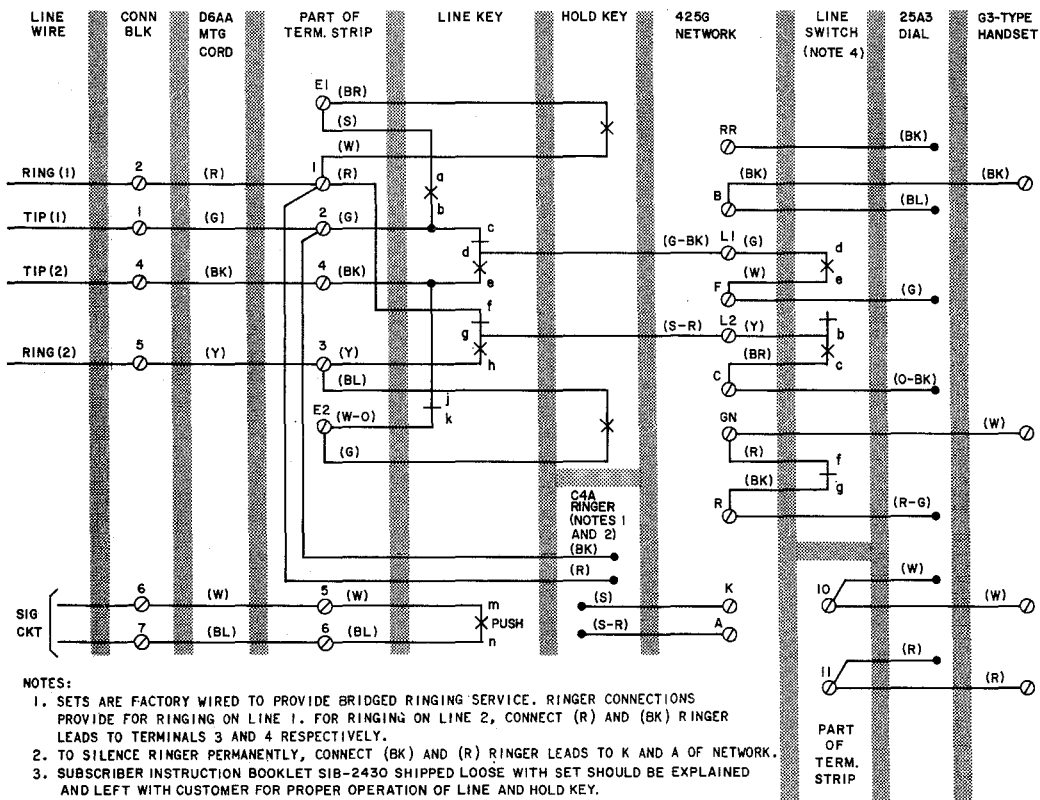


Fig. 1—1515B (MD) Telephone Set, Connections With 25W31 (MD) Dial



NOTES:

- SETS ARE FACTORY WIRED TO PROVIDE BRIDGED RINGING SERVICE. RINGER CONNECTIONS PROVIDE FOR RINGING ON LINE 1. FOR RINGING ON LINE 2, CONNECT (R) AND (BK) RINGER LEADS TO TERMINALS 3 AND 4 RESPECTIVELY.
- TO SILENCE RINGER PERMANENTLY, CONNECT (BK) AND (R) RINGER LEADS TO K AND A OF NETWORK.
- SUBSCRIBER INSTRUCTION BOOKLET SIB-2430 SHIPPED LOOSE WITH SET SHOULD BE EXPLAINED AND LEFT WITH CUSTOMER FOR PROPER OPERATION OF LINE AND HOLD KEY.
- LINE SWITCH SEQUENCE, HANDSET REMOVED:
bc- MAKES fg-BREAKS
de- MAKES

Fig. 2—1515B (MD) Telephone Set, Connections With 25A3 (MD) Dial

TABLE A
POLARITY GUARD CONNECTIONS
(P-90D052 GUARD ASSEMBLY)

LEAD	COLOR	REMOVE FROM	CONNECT TO	
		NET.	NET.	POLARITY GUARD
Dial	BK	RR		T
Line Switch	BR	C		S
Polarity Guard	G		RR	
	W		C	

Note: For use when specified by local instructions for end-to-end signaling installations.