

SERVICE

501P TELEPHONE SETS

1. GENERAL

1.01 Reissued to add nontechnical changes to Fig. 1.

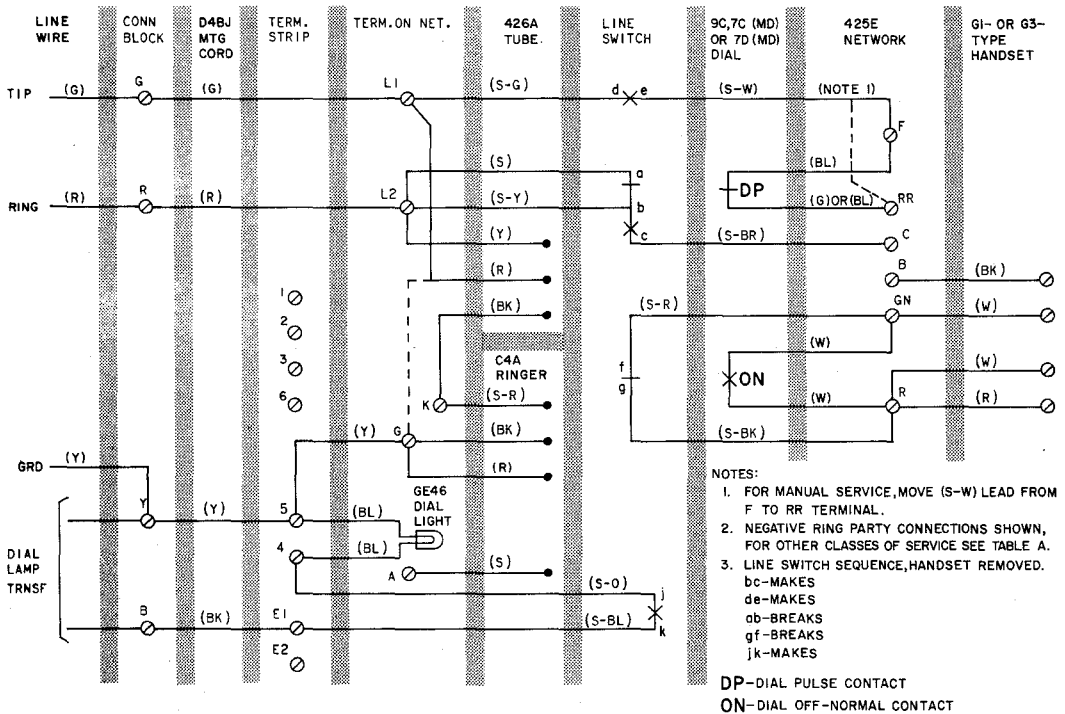


Fig. 1—501P (MD) Telephone Set, Connections

TABLE A
LINE, RINGER, AND TUBE CONNECTIONS

WIRE OR LEAD	COLOR	NEGATIVE (-) PARTIES		POSITIVE (+) PARTIES	
		RING (1-5)	TIP (2-6)	RING (3-7)	TIP (4-8)
Ringer Leads	R	G	G	L2	L2
	BK	G	G	L2	L2
	S	A	A	A	A
	S-R	K	K	K	K
426A Tube (3-Element)	R	L1 or G	L1 or G	L2	L2
	BK	K	K	K	K
	Y	L2	L2	G	G
Mtg Cord in Set	R	L2	L2	L2	L2
	G	L1	L1	L1	L1
	Y	5	5	5	5
	BK	E1	E1	E1	E1
Mtg Cord at Con- necting Block	R	R	G	R	G
	G	G	R	G	R
	Y	Y	Y	Y	Y
	BK	B	B	B	B

Note: To silence ringer permanently, connect yellow strap to terminal 6 instead of terminal 5 on terminal strip.