

SERVICE 1500M TELEPHONE SETS

1. GENERAL

1.01 Reissued to add nontechnical changes to Fig. 1, 2 and Tables A, B.

TABLE A

POLARITY GUARD CONNECTIONS
(P-90D052 GUARD ASSEMBLY)

LEAD	COLOR	REMOVE FROM	CONNECT TO	
		NET.	NET.	POLARITY GUARD
Line Switch	(W) [S-W]	C		S
Dial	(BK)	RR		T
Polarity Guard	(W) (G)		C RR	

Note: For use when specified by local instructions for end-to-end signaling installation.

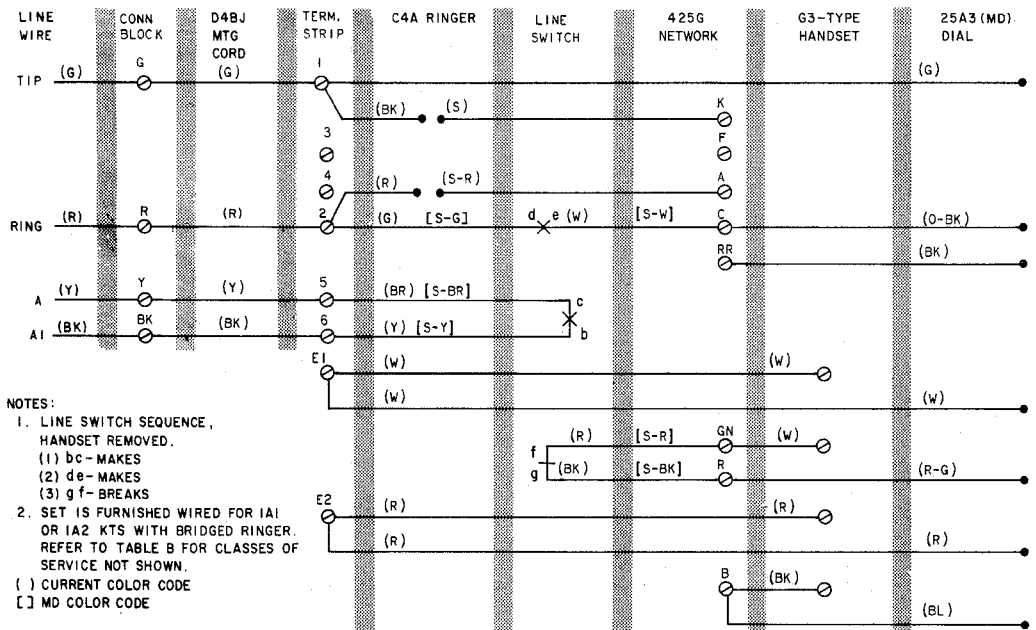


Fig. 1—1500M (MD) Telephone Set Connections, With 25A3 (MD) Dial

SECTION 502-581-400

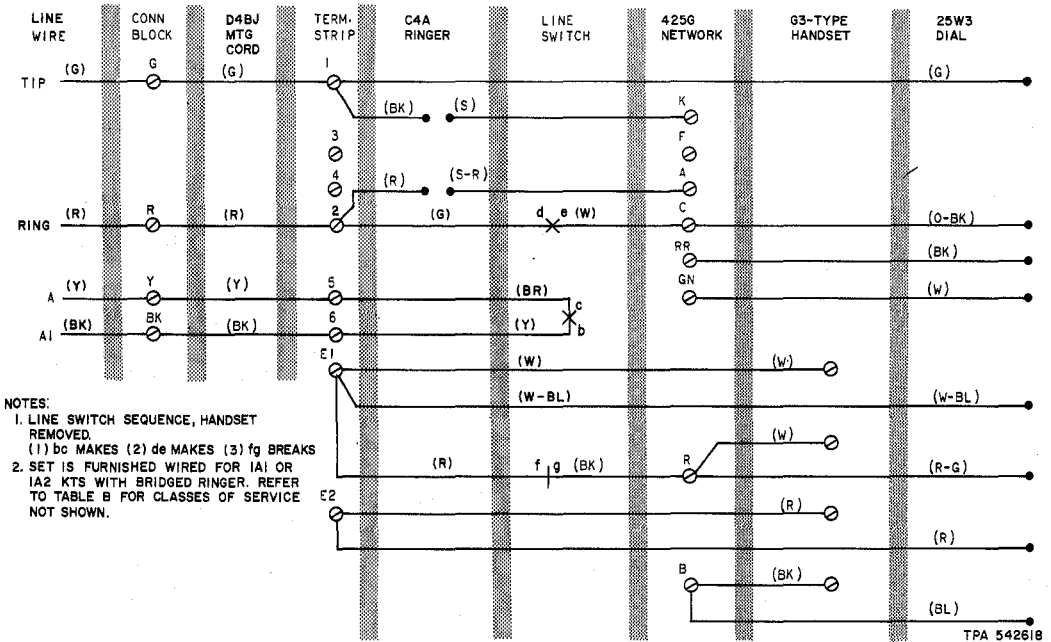


Fig. 2—1500M (MD) Telephone Set Connections, With 25W3 (MD) Dial

TABLE B

LINE AND RINGER CONNECTIONS

FEATURE (NOTE 1)	CONNECTIONS IN SET										MTG CD AT CONN BLK					
	MTG CORD					RINGER LEADS (Note 3)					LINE		PVT. OR COM. RING.		1A1 OR 1A2 KTS	
	G	R	Y	BK	BL	W	BK	S	S	S-R	TIP	RING	R-R1	B-B1	A	A1
Separate Ringer	1	2	3	4			3	4	K	A	G	R	Y	BK		
Separate Ringer and 1A1 or 1A2 KTS (Note 2)	1	2	5	6	3	4	3	4	K	A	G	R	BL	W	Y	BK

- Notes:**
- Set is furnished wired for 1A1 or 1A2 KTS with bridged ringer.
 - Replace D4BJ mounting cord with D6AA.
 - When ringing capacitor is not required, connect(s) ringer lead to A of network.