

SERVICE

1500Y TELEPHONE SETS

1. GENERAL

1.01 Reissued to add nontechnical changes to Fig. 1 and 2.

TABLE A

**POLARITY GUARD CONNECTIONS
(P-90D052 GUARD ASSEMBLY)**

| LEAD | COLOR | REMOVE FROM NET. | CONNECT TO | |
|----------------|----------------|------------------|-----------------|---------|
| | | | POLARITY GUARD. | NET. |
| Dial | (BK) | RR | T | |
| Line Switch | (BR) [S-BR] | C | S | |
| Polarity Guard | (G) (W) | | | RR C |

Note: For use when specified by local instructions for end-to-end signaling installation.

() Current color code

[] MD color code.

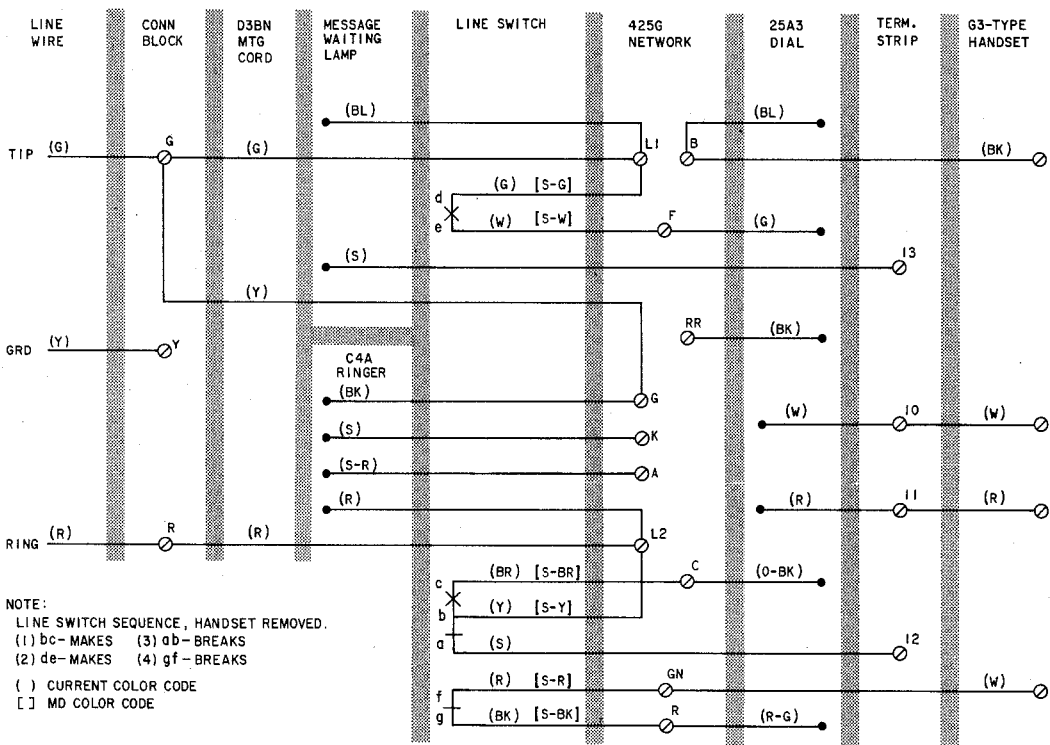


Fig. 1—1500Y (MD) Telephone Set Connections With 25A3 (MD) Dial

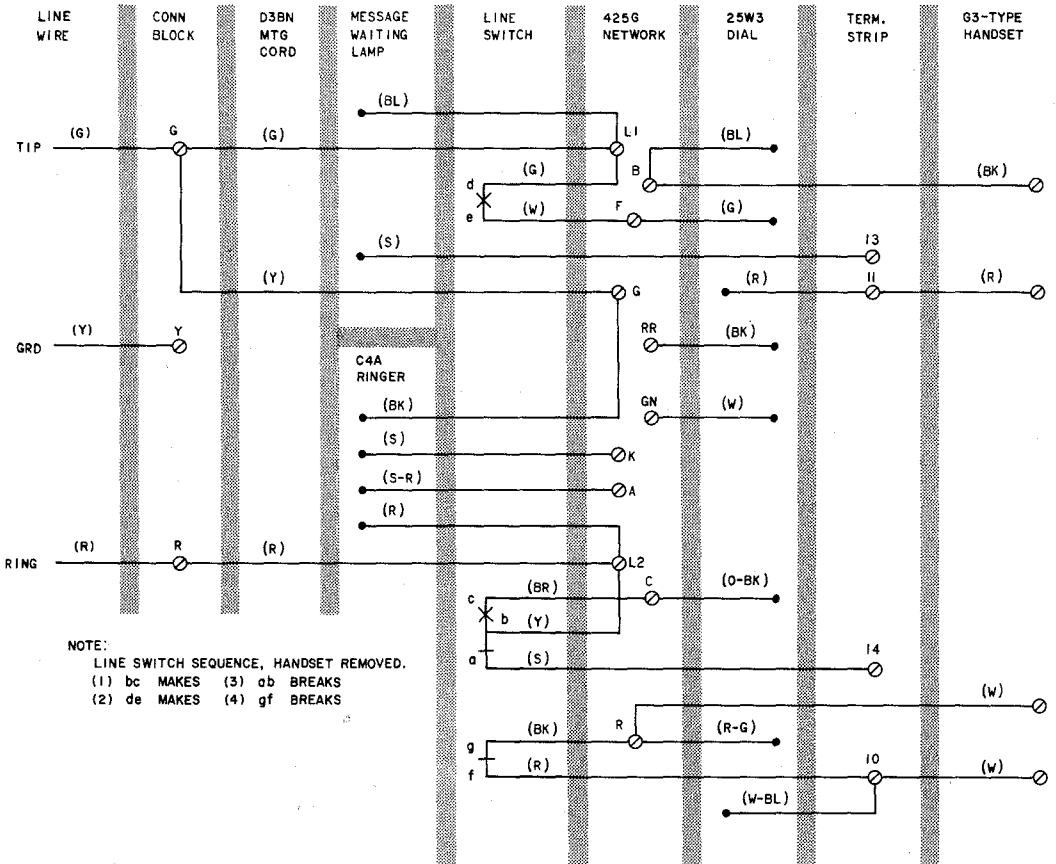


Fig. 2—1500Y (MD) Telephone Set Connections With 25W3 (MD) Dial