

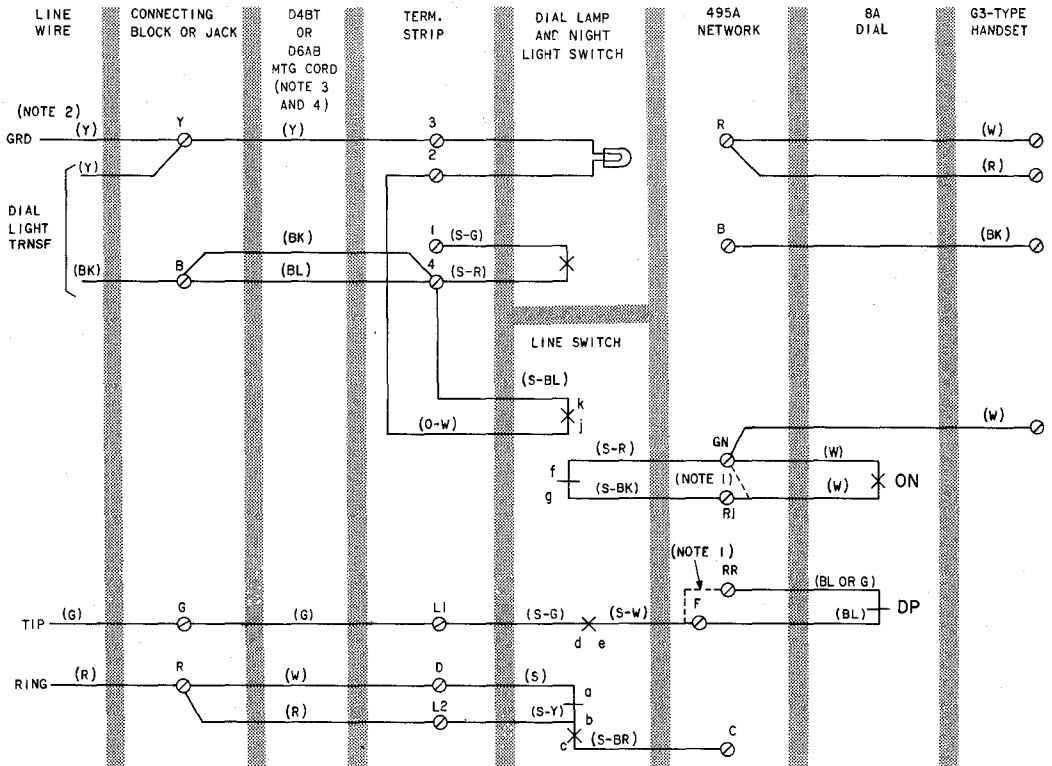
## SERVICE 701B TELEPHONE SETS

### 1. GENERAL

● Add D4BT mounting cord to Fig. 1 and 2

#### 1.01 Reissued to:

● Change Tables A and B



**NOTES:**

1. DASHED LINES INDICATE CONNECTION FOR MANUAL SERVICE. DIAL REMAINS ON SET.
2. GROUND MAY BE OMITTED IF NOT REQUIRED FOR SERVICE; NOT NECESSARY FOR PROTECTION OF DIAL LIGHT TRANSFORMER.
3. INSULATE AND STORE (BL) AND (w) CONDUCTORS IN PORTABLE INSTALLATIONS.
4. (BL) AND (w) LEADS ON D6AB CORD ONLY.

DP - DIAL PULSE  
ON - OFF NORMAL

LINE SWITCH SEQUENCE:  
bc - MAKE  
de - MAKE  
ab - BREAK  
fg - BREAK

**Fig. 1—701B (MD) Telephone Set Connections, Without Ringer or as a Portable Installation**

♦ TABLE A ♦

CONNECTIONS FOR TIP, BRIDGED, OR RING PARTY SERVICE  
WHEN USING TELEPHONE SET WITHOUT RINGER

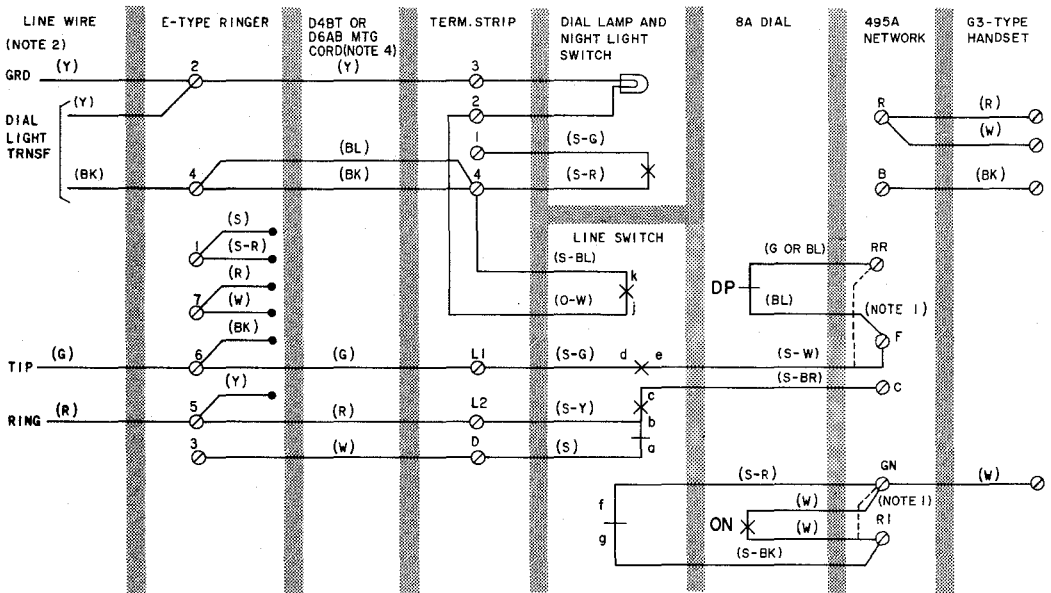
WIRE OR LEAD		COLOR	INDIVIDUAL OR BRIDGED	RING PARTY	TIP PARTY	TIP PARTY WITH IDENT GRD	
						1000Ω	2500Ω
Line Wire at Conn Block	Ring	R	R	R	R	R	R
	Tip	G	G	G	G	G	G
	Grd	Y	Y	Y	Y	Y	Y
Trnsf Leads at Conn Block		Y	Y	Y	Y	Y	Y
		BK	B	B	B	B	B
Mtg Cord at Conn Block		R	R	R	G	G	G
		G	G	G	R	R	R
		Y	Y	Y	Y	Y	Y
		BL	B	B	B	B	B
		W	R	R	R	G	G
		BK	B	B	B	B	B
Mtg Cord at Set		R	L2	L2	L2	L2	L2
		G	L1	L1	L1	†	†
		Y	3	3	3	3	3
		BL	4	4	4	4	4
		W	D	D	D	D	D
		BK	4	4	4	4	4
1610A or 1635A Inductor Leads at Set		BK				3	3
		R				L1	*
		S				*	L1
Line Switch		S-W	F †	F †	F †	B †	B †

\* Insulate and store.

† Terminal on network.

‡ Remove (G) mounting cord lead from L1 terminal in set and connect to terminal F of network using D-161488 connector and MIW cord.

Note: Connections include modifications to prevent false billing due to incomplete hangup.



NOTES:

1. DASHED LINES INDICATE CONNECTIONS FOR MANUAL SERVICE. DIAL REMAINS ON SET.
2. GROUND MAY BE OMITTED IF NOT REQUIRED FOR SERVICE, NOT NECESSARY FOR PROTECTION OF DIAL LIGHT TRANSFORMER.
3. WIRED FOR BRIDGED RINGING, REFER TO TABLE B FOR ALL OTHER CLASSES OF SERVICE.
4. (BL) AND (W) LEADS ON D6AB CORD ONLY.

DP - DIAL PULSE  
 ON - OFF NORMAL  
 LINE SWITCH SEQUENCE:  
 bc - MAKE  
 de - MAKE  
 ab - BREAK  
 fg - BREAK

Fig. 2—701B (MD) Telephone Set Connections, With E-Type Ringer

♦ TABLE B ♦

## LINE AND RINGER CONNECTIONS WITH E1C OR E1A (MD) RINGER

WIRE OR LEAD		COLOR	INDIVIDUAL OR BRIDGED	RING PARTY	TIP PARTY	TIP PARTY WITH IDENT GRD		4 PARTY FULLSELECTIVE 8 PARTY SEMISELECTIVE †	
						1000Ω	2650Ω	- RING	+ RING
Line at Ringer	Ring Tip Grd	R	5	5	5	5	5	5	5
		G	6	6	6	6	6	6	6
		Y	2	2	2	2	2	2	2
Ringer		R	7	7	7	7	1	2	5
		S-R	1	1	1	1	2	1	1
		BK	6	2	2	2	1	2	5
		S	1	1	1	1	7	7	7
Capacitor in Ringer		W	7	7	7	7	7	1	1
		Y	5	3	3	3	3	7	7
Trnsf Leads		G or Y	2	2	2	2	2	2	2
		R or BK	4	4	4	4	4	4	4
Mtg Cord at Ringer		R	5	5	6	6	6	5	5
		G	6	6	5	5	5	6	6
		Y	2	2	2	2	2	2	2
		BL	4	4	4	1	1	4	4
		W	3	3	3	3	3	1	1
		BK	4	4	4	4	4	4	4
Mtg Cord at Set		R	L2	L2	L2	L2	L2	L2	L2
		G	L1	L1	L1	§	§	L1	L1
		Y	3	3	3	3	3	3	3
		BL	4	4	4	L1	L1	4	4
		W	D	D	D	D	D	†	†
		BK	4	4	4	4	4	4	4
Line Switch	S-W	F*	F*	F*	B*	B*	F*	F*	
426A Tube Leads	BK R Y						† L1 L2	† L2 3	

\* Terminal on network.

† Remove W lead from D punching in set and connect to BK tube lead using D-161488 connector.

‡ Reverse (R) and (G) linewire at ringer for tip party service.

§ Remove (G) mounting cord lead from L1 terminal in set and connect to terminal F of network using D-161488 connector and M1W cord.