

SUBSCRIBER SETS 634A,BA; 684A,BA
COMMON BATTERY — INDUCTION COIL TYPE
USED WITH COIN COLLECTORS
CONNECTIONS

TABLE A
CONNECTIONS

Type of Service	Subscriber Set Connections (Wire or Lead)												
Prepay Manual and Dial Type Coin Collectors	Ringer Lead		Local Wire From Coin Collector										
	R	BK	GN	R	BK	Y	R	GN	Y				
RCVR-XMTR Types 155C, D, G, H 166C, D, G, H Hand Set Types 174C, D, G, H, CS, GS, CT, GT 176C, D, G, H, CS, GS, CT, GT	L1	K	GN	R	BK	L2Y	L1	—	—				
Type of Service	Subscriber Set Connections (Wire or Lead) (See Note 1)												
Postpay Manual and Dial (CDO) Type Coin Collectors	Inside Wire from Protector or Line (See Note 2)			Ringer Lead		Local Wiring to Coin Collector							
	R	GN	Y	R	BK	GN	R	BK	Y	R	GN	Y	
RCVR-XMTR Types Manual 150K, L 162A, B, C, D Hand Set Types Manual 152C, D 164C, D	Dial 158G, H 168G, H	L1	L2Y	—	L1	K	GN	R	BK	L2Y	—	—	—
Type of Service <th colspan="11">Subscriber Set Connections (Wire or Lead)</th>	Subscriber Set Connections (Wire or Lead)												
	Prepay Dial Type Coin Collectors with Dial Shorting Relay	Ringer Lead			Local Wire From Coin Collector								
R		BK	GN	R	BK	Y	R	GN	Y				
RCVR-XMTR Types D-178457 D-178875 Hand Set Types D-178940 D-178942	E*	K	GN	R	BK	L2Y	E*	L1	—				

Note 1: Use only 634BA or 684BA (high-impedance ringer) in community dial office.

Note 2: The line wires are shown terminated in the subscriber set in the table and circuit diagram. When desired by the telephone company, they may be terminated in the coin collector set.

Note 3: All connections are shown for individual line, bridged ringing installations. If other ringing arrangements are required, refer to Fig. 1 and Table A of the section entitled Subscriber Sets 634A,BA,C; 684A,BA,C Common Battery, Induction Coil Type Used with Hand Telephone Sets, Connections, for appropriate ringer connections.

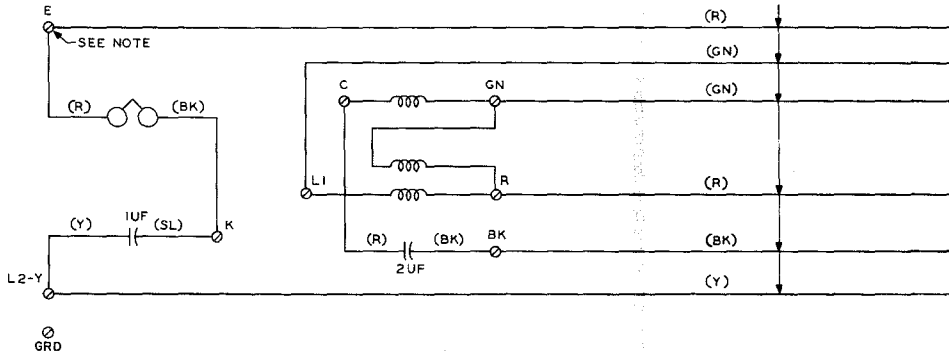
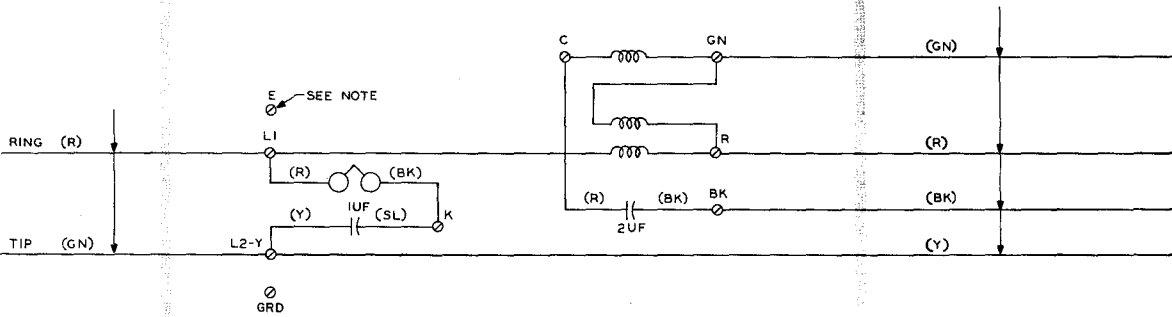
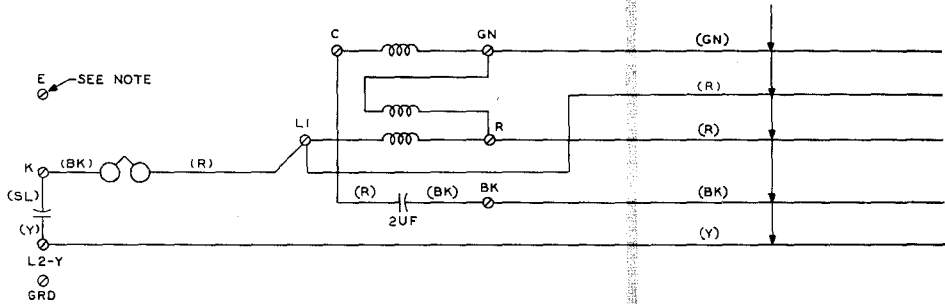
* For subscriber sets not equipped with E terminal, use the D-161488 connector.

INSIDE WIRE FROM
LINE OR
PROTECTOR

RINGING CIRCUIT

TALKING CIRCUIT

LOCAL WIRING



Note: When an E terminal is not normally provided in subscriber sets, use D-161488 connector to connect local wiring to R ringer lead.

Fig. 1 -- Circuit Diagram of 634A and BA; 684A and BA Subscriber Sets for Connection with Coin Collectors