

SUBSCRIBER SETS—634CG, CH, CK, CL; 684CK, CL
COMMON BATTERY — INDUCTION COIL TYPE — CONNECTIONS

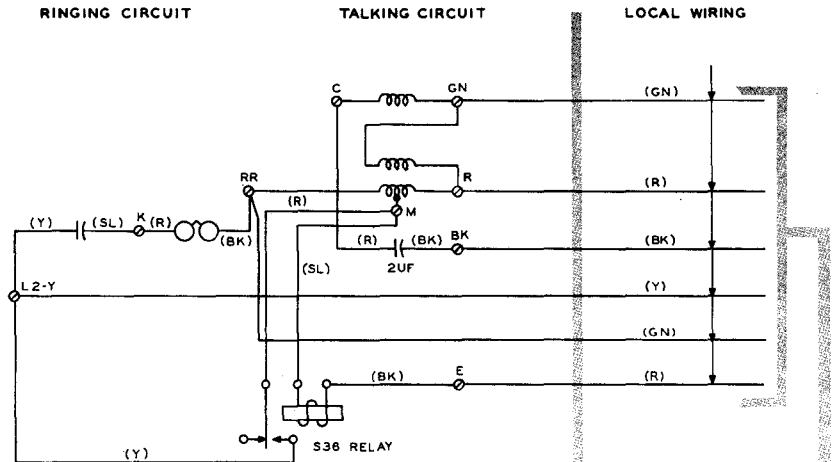


TABLE A—CONNECTIONS FOR LONG LOOPS

| Type of Service Prepay Manual or Dial-Type Coin Collectors | Subscriber Set 634CG, CH (Wire or Lead) | | | | | | | | | | | | |
|--|---|----|-----------------|-----|----|----|----------------------------------|---|----|-----|---|----|--|
| | Ringer Lead | | S-36 Relay Lead | | | | Local Wiring from Coin Collector | | | | | | |
| | R | BK | R | Y | BK | SL | GN | R | BK | Y | R | GN | |
| Revr. Xmtr Types 155C, D, G, H 166C, D, G, H | | | | | | | | | | | | | |
| Hand Set Types 174C, D, G, H 174CS, GS, CT, GT 176C, D, G, H 176CS, GS, CT, GT | K | RR | M | L2Y | E | M | GN | R | BK | L2Y | E | RR | |

RINGING CIRCUIT

TALKING CIRCUIT

LOCAL WIRING

TABLE B
CONNECTIONS
FOR REDUCTION
OF INDUCTIVE NOISE

| Type of Service Prepay Manual or Dial-Type Coin Collectors (Reduction of Inductive Noise) | Subscriber Set 634CK, CL; 684CK, CL (Wire or Lead) | | | | | | | |
|--|--|----|----------------------------------|---|----|-----|---|----|
| | Ringer Lead | | Local Wiring from Coin Collector | | | | | |
| | R | BK | GN | R | BK | Y | R | GN |
| Revr. Xmtr Types 155C, D, G, H 166C, D, G, H | | | | | | | | |
| Hand Set Types 174C, D, G, H 174CS, GS, CT, GT 176C, D, G, H 176CS, GS, CT, GT | K | RR | GN | R | BK | L2Y | E | RR |

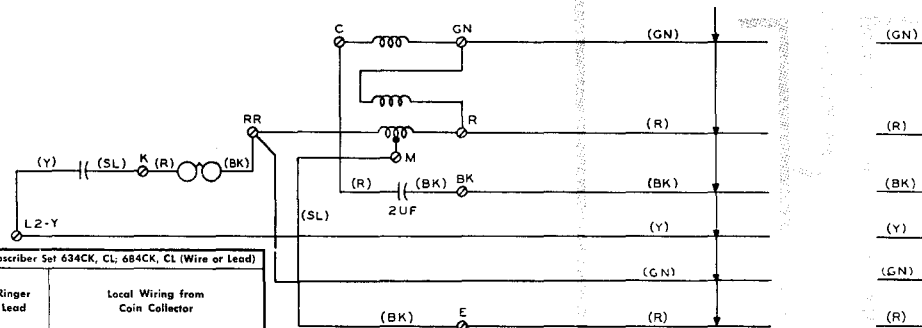


Fig. 1 — Circuit Diagram for Connection with Coin Collectors