

COIN TELEPHONE MOUNTING

KS-21977 CLEAR VIEW

1. GENERAL

1.01 The KS-21977 coin telephone mounting (Fig. 1 and 2) is a transparent U shaped enclosure intended for indoor use. It can be post mounted or wall mounted.

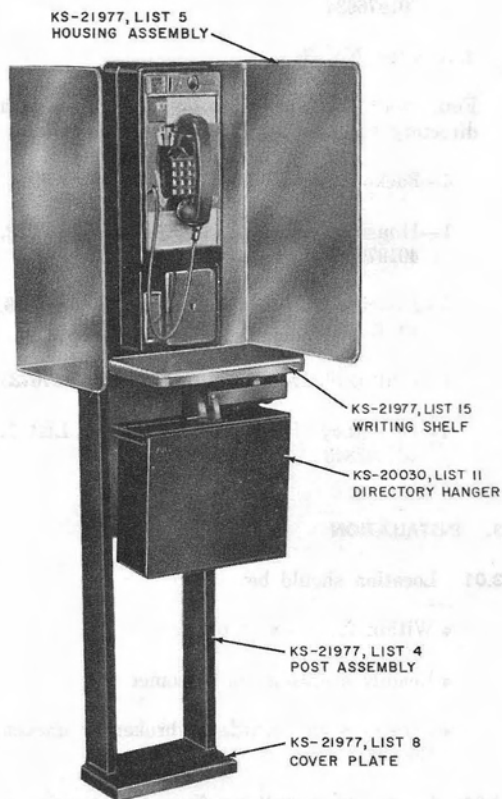


Fig. 1—KS-21977, List 1 Pedestal Mounting With
KS-20030, List 11 Directory Hanger

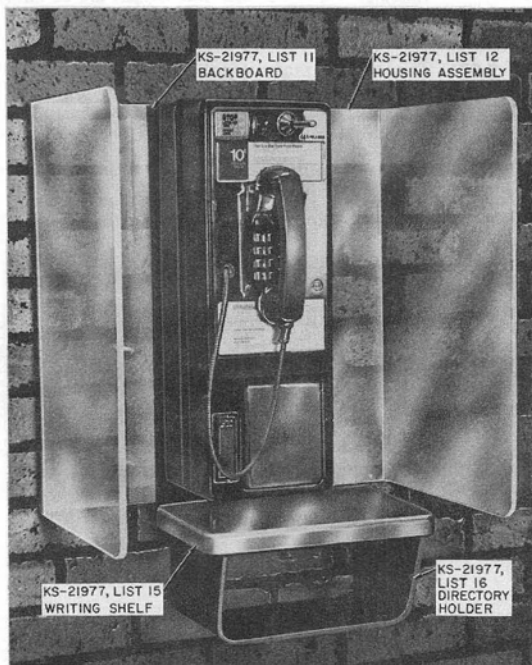


Fig. 2—KS-21977, List 10 Wall Mounting

1.02 Whenever this section is reissued the reason for reissue will be listed in this paragraph.

1.03 The mounting may be installed singly, side-by-side or back-to-back.

1.04 It will accept a 1-type coin telephone set.

2. IDENTIFICATION

2.01 The overall dimensions of the housing are:

- Height—22 inches*

NOTICE

Not for use or disclosure outside the
Bell System except under written agreement

- Width—22 inches
- Depth—14 inches

* Housings for back-to-back installations are 32 inches high.

2.02 The approximate weight is:

- Housing—18 pounds
- Shelf—8 pounds
- Post—57 pounds.

2.03 A typical pedestal mounting includes:

- KS-21977, List 4 post
- KS-21977, List 5 housing
- KS-21977, List 15 writing shelf
- KS-21977, List 16 directory holder.

2.04 A typical wall mounting includes:

- KS-21977, List 11 backboard
- KS-21977, List 12 housing
- KS-21977, List 15 writing shelf
- KS-21977, List 16 directory holder.

2.05 A KS-20030, List 11 or KS-21435, List 1 directory hanger (Fig. 1) can be used in lieu of the KS-21977, List 16 directory holder (Fig. 2).

2.06 The housing is made of transparent plastic which offers customer conversation privacy.

2.07 There are no light fixtures associated with this facility.

2.08 A plate with handset symbol is bonded to the back of housings on single free standing units.

2.09 List numbers have been assigned the mounting per Table A.

Ordering Guide

2.10 Orders for this product shall specify the quantity, KS number, List number and comcode number.

2.11 Following are examples of typical orders:

Example No. 1:

One single post mounted unit with writing shelf and directory holder would be ordered as follows:

1—Mounting, Telephone, KS-21977, List 1, 401976634

Example No. 2:

Four wall mounted side-by-side units with directory hangers would be ordered as follows:

4—Backboards, KS-21977, List 11, 401976394

1—Housing Assembly, KS-21977, List 12, 401976592

3—Housing Assemblies, KS-21977, List 13, 401976600

4—Writing Shelves, KS-21977, List 15, 401976725

4—Directory Hangers, KS-21435, List 1, 401338843

3. INSTALLATION

3.01 Location should be:

- Within full view of public
- Readily accessible to customer
- Free of such hazards as broken or uneven flooring.

3.02 Ensure that wall or floor will provide a secure mounting for the unit.

Note: The Lists 1 and 10 are shipped completely assembled. All multiple units must be assembled in the field.

3.03 Install a post mount as follows.

TABLE A
KS-21977 LIST NUMBERS

KS-21977 LIST NO.	DESCRIPTION	REMARKS
1	Mounting	Complete unit for pedestal mount
4	Post Assembly	Does not include base coverplate
5	Housing Assembly	"U" shape housing for single post
6	Housing Assembly	"U" shape housing for back-to-back installation
7	Housing Assembly	"L" shape housing for multiple pedestal side-by-side installation
8	Coverplate	Covers base of post
10	Mounting	Complete unit for wall mount
11	Backboard	For mounting a housing to a wall
12	Housing Assembly	"U" shape housing for single wall mount
13	Housing Assembly	"L" shape housing for multiple wall side-by-side installation
15	Writing Shelf	Does not include directory holder
16	Directory Holder	An open shelf attached beneath writing shelf

- (a) Place the post in the exact position the unit will be mounted.
- (b) Using the base as a marking template, mark the location for the four mounting holes.
- (c) Remove unit from drilling area.

Danger: Use eye protection while drilling.

(d) **Masonry Surfaces.**

- (1) Use RAWL No. 9170 (or equivalent) anchors and 1/2-13 by 1-5/8 hex head machine bolts, SAE grade 5.
- (2) Drill holes to accept the anchors. Anchors should be flush or slightly under flush with surface.
- (3) Secure post to anchors using the bolts described in (1).

(e) **Wooden Surfaces.**

- (1) Use 1/2 by 2-1/2 inch hex head lag bolts.

- (2) Drill 3/8-inch lead holes 2 inches deep.
- (3) Secure the base using the lag bolts.

Caution: The post must be plumb to ensure proper operation of the coin telephone set. Use shims as necessary to plumb the post.

- (f) Install base plate cover using four No 10-32 by 1/2 flat head security screws.

3.04 Install a wall mount as follows.

- (a) Mark a location on the wall 33-1/2 inches from the floor. This position is for bottom edge of plastic housing and will provide a coin slot height of 54 inches.
- (b) Utilizing the 33-1/2 inch marked position, use plastic housing with backboard as a marking template, ensure that the housing from left to right is level, and mark the location for six mounting holes.
- (c) Use Table B as a guide and drill six mounting holes at the marked locations.

- (d) Secure housing and backboard to wall using hardware specified in Table B.

base even with the marked line (Fig. 3). Install per 3.03.

MULTIPLE INSTALLATIONS

Pedestal Mounts, Side-By-Side

Note: When installing pedestal mounts, side-by-side, the left end unit as viewed from the front will be designated the first unit and will be a List 1 (see Table A). The second and subsequent units will include a List 4 post assembly, a List 7 housing assembly, and a List 8 coverplate, plus a List 15 writing shelf and List 16 directory holder, if required.

- 3.05 Mark the mounting surface with a line that will be the front edge of the post bases.
- 3.06 Install the first unit in the position on the left end of the line up as directed in 3.03.
- 3.07 Assemble a List 7 housing assembly to a List 4 post assembly using eight 1/4-20 by 5/8 FHM screws.
- 3.08 Position the L shaped housing to the right and against the first housing with the post

3.09 Using two 5/16-18 by 3/4 Hex socket head cap screws, and two 5/16-inch flat washers, install the List 15 writing shelf on each housing.

3.10 Using two No. 10-32 by 1/2 Phillips pan head machine screws and two No. 10 lock washers, install a List 16 directory holder on each shelf.

Pedestal Mounts, Back-to-Back

- 3.11 Assemble the List 6 housings, to the List 4 posts using eight 1/4-20 by 5/8 FHM screws.
- 3.12 Install the two mountings back-to-back using the procedure outlined in 3.03. Refer to Fig. 4.

Wall Mounts, Side-By-Side

Note: When installing wall mounts in multiples, the left end unit as viewed from the front will be designated the first unit and is a List 10.

TABLE B

FASTENERS USED FOR MOUNTING BACKBOARD TO WALL

MOUNTING SURFACE	HOLE SIZE REQUIRED IN WALL	SIZE AND TYPE FASTENER
Soft Wood or Hard Wood	9/64 or No. 27	1-3/4 inch No. 16 FH tapping screw
Masonry* (Concrete, Brick)	5/8	1/4 by 2-inch expansion shield with 5/16 by 2-3/4 inch machine screw
Lath and Plaster†	9/64 or No. 27	2-3/4 inch No. 16 FH wood screw (fastener must be embedded in stud 1-inch)
Plaster, Cinder Block, Hollow Tile, Metal Lath, Plaster Board	1-inch	1/4 by 4-inch FH toggle bolt‡

* When mounting on plastered masonry, use fasteners 1/2-inch longer than specified.

† When mounting on plasterboard, plaster on lath, etc., fasteners must be embedded in stud at least 1 inch.

‡ When using toggle bolts, cut off excess length.

3.13 Mark a straight line on the wall 33-1/2 inches from the floor. This is where the bottom edge of the backboards will be positioned.

3.14 Install the first unit (List 10) in the position on the left end of the line up as directed in 3.04.

3.15 Assemble a List 13 housing assembly to a List 11 backboard using ten 1/4-20 by 5/8 FHM screws.

3.16 Position the L shaped housing to the right and against the first housing (Fig. 5) and install per 3.04.

WIRING

Note: Because of the transparency feature of the mounting, there are no provisions for running wires from one housing to the next housing in multiple installations.

Pedestal Mountings

3.17 Entrance hole is in bottom of left leg. Run wire up through left leg, through a hole and into the cavity at bottom of the backboard; up and into the center slot in backboard.

Wall Mountings

3.18 Entrance is in center of backboard.

DIRECTORY HANGERS

3.19 Mounting holes are provided under the writing shelf for a KS-20030, List 11 or KS-21435, List 1 directory hanger. Refer to Sections 508-710-102 and 508-710-104.

COIN TELEPHONE SET

3.20 Refer to Section 506-410-400 or TOP 506-410-402 for installing the 1-type coin telephone set.

4. MAINTENANCE

4.01 The local telephone company shall establish the appearance standards of all exposed surfaces.

4.02 The local telephone company shall establish the safety standards for all public phone facilities.

4.03 Replace any part of the mounting which does not meet local telephone company standards.

4.04 Inspect the approach to the mountings and ensure that they are free of all hazards.

4.05 Clean in accordance with Section 508-100-101.

4.06 Refer to Table A for components.

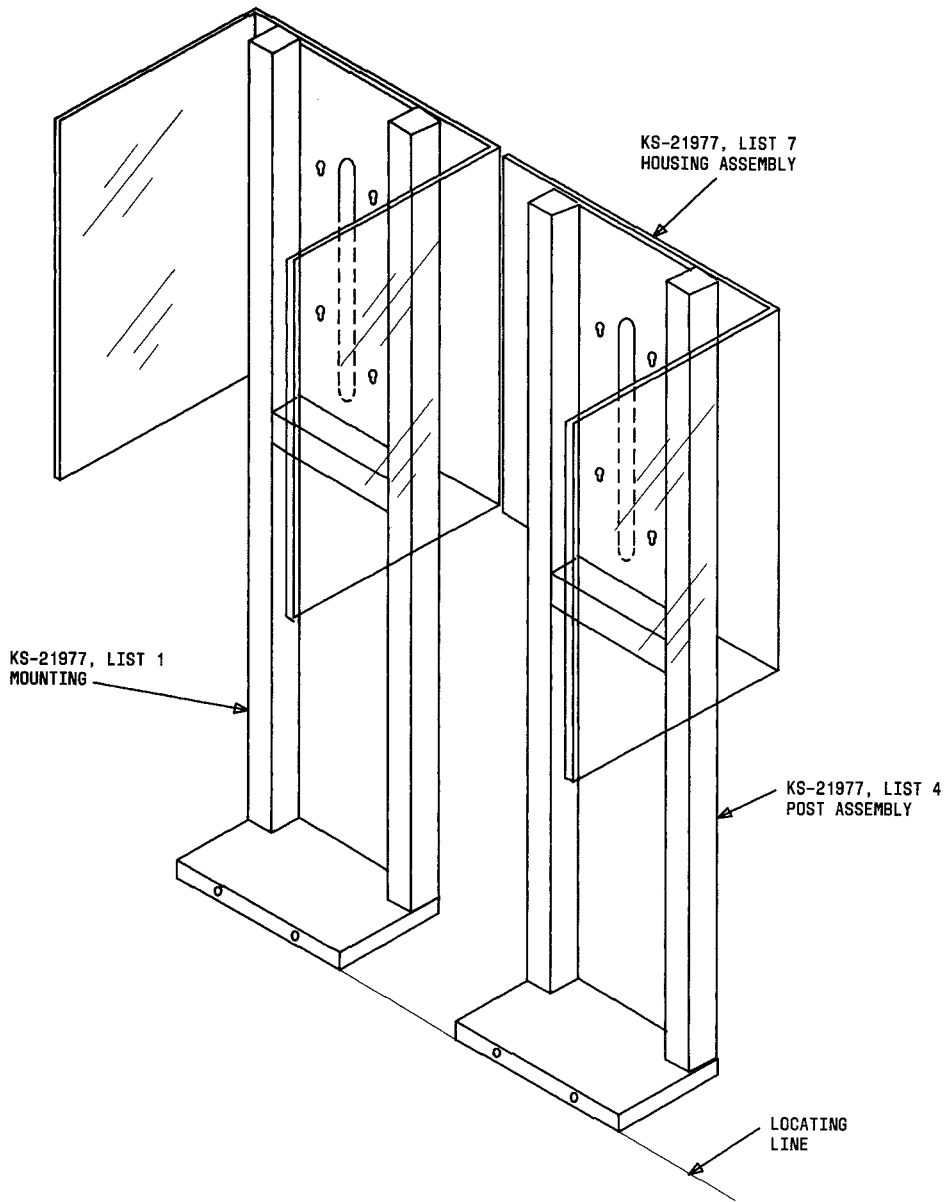
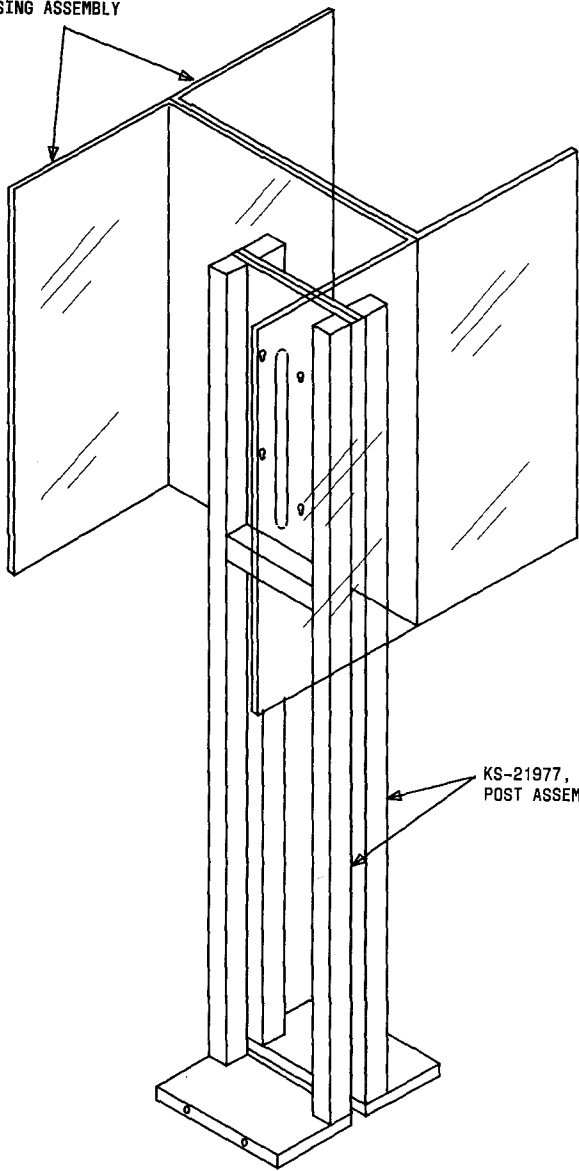


Fig. 3—Pedestal Mountings, Side-By-Side

KS-21977, LIST 6
HOUSING ASSEMBLY



KS-21977, LIST 4
POST ASSEMBLY

Fig. 4—Pedestal Mountings, Back-to-Back

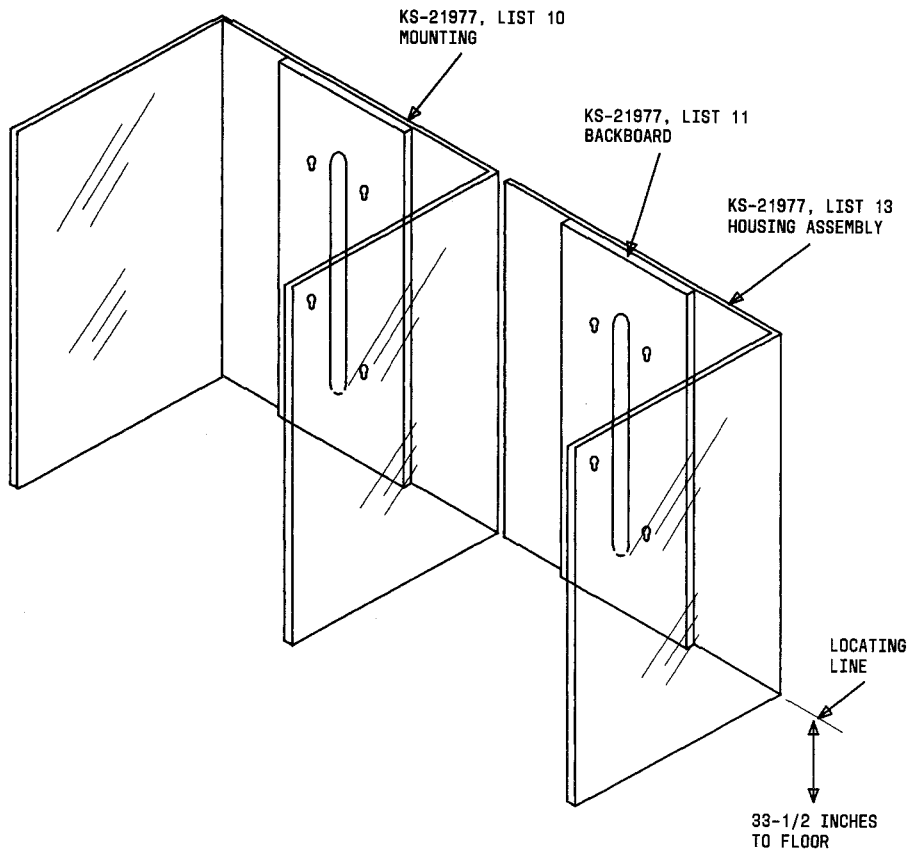


Fig. 5—Wall Mountings, Side-By-Side