

## KS-20030 DIRECTORY HANGERS

### IDENTIFICATION, INSTALLATION, AND MAINTENANCE

#### 1. GENERAL

**1.01** The KS-20030 directory hangers (Fig. 1 and 2) are universal hangers designed for use with various coin telephone booths and shelves.

**1.02** This section is reissued to:

- Add KS-20030, Lists 10, 11, 12, and 13 directory hangers
- Add minor changes to text
- Add information to Table A.

**1.03** It is intended that the Lists 1, 2, 3, 5, and 6 hangers be used in semiprotected locations.

#### 2. IDENTIFICATION

**2.01** List numbers have been assigned to the directory hangers as described in Table A.

**2.02** The hangers consist of a stainless steel mechanism that permits rotation of a directory and cover assembly in both horizontal and vertical planes.

**2.03** Each hanger supports the directory, below and parallel to the front edge of a shelf (Fig. 3 through 8).

**2.04** Springs are provided to act as detents when access is acquired and will return the directory to normal position when rotated manually out of the detent area.

**2.05** The vertical motion, subsequent to the horizontal rotation permits the directory to be raised to rest on the shelf for access (Fig. 9 through 12).

#### ORDERING INFORMATION

**2.06** Orders shall specify the quantity, KS number, and list number.

#### 3. INSTALLATION

*Note:* 10-32 by 3/8 SEMS Phillips RHM screws (security screws L-765065, List 3 and 10-32 nylon insert hex head nuts on List 10) are furnished with each hanger for securing it to the shelf.

**3.01** Refer to Table A for use of each hanger.

**3.02** Current model booths and shelves are equipped with writing shelves designed to accept the KS-20030 directory hangers.

#### KS-14611 and KS-19580 Booths

*Note:* Early model must be modified as follows:

**3.03** Remove all existing writing shelves, directory racks, and apparatus blanks. Retain hardware.

**3.04** Install KS-19580, List 29 shelf assembly using hardware retained.

**3.05** Secure the List 1 or 2 directory hanger to the shelf assembly.

#### KS-16797 and KS-19425 Booths

*Note:* Early model must be modified as follows:

**3.06** Repeat 3.03.

**3.07** Install KS-19425, List 27 shelf assembly using hardware retained.

**3.08** Secure the List 3 directory hanger to the shelf assembly using retained hardware.

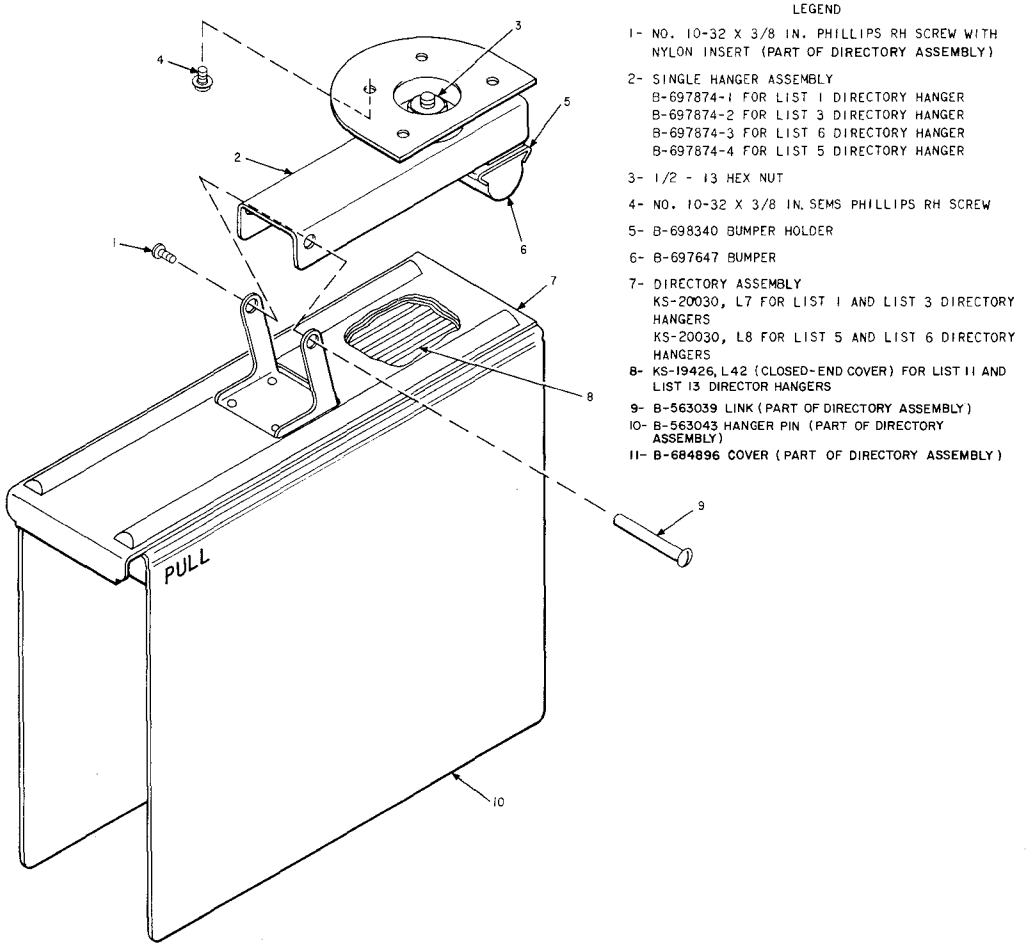


Fig. 1—KS-20030 Directory Hanger (Typical for Single Binder)

**KS-19267 Shelf**

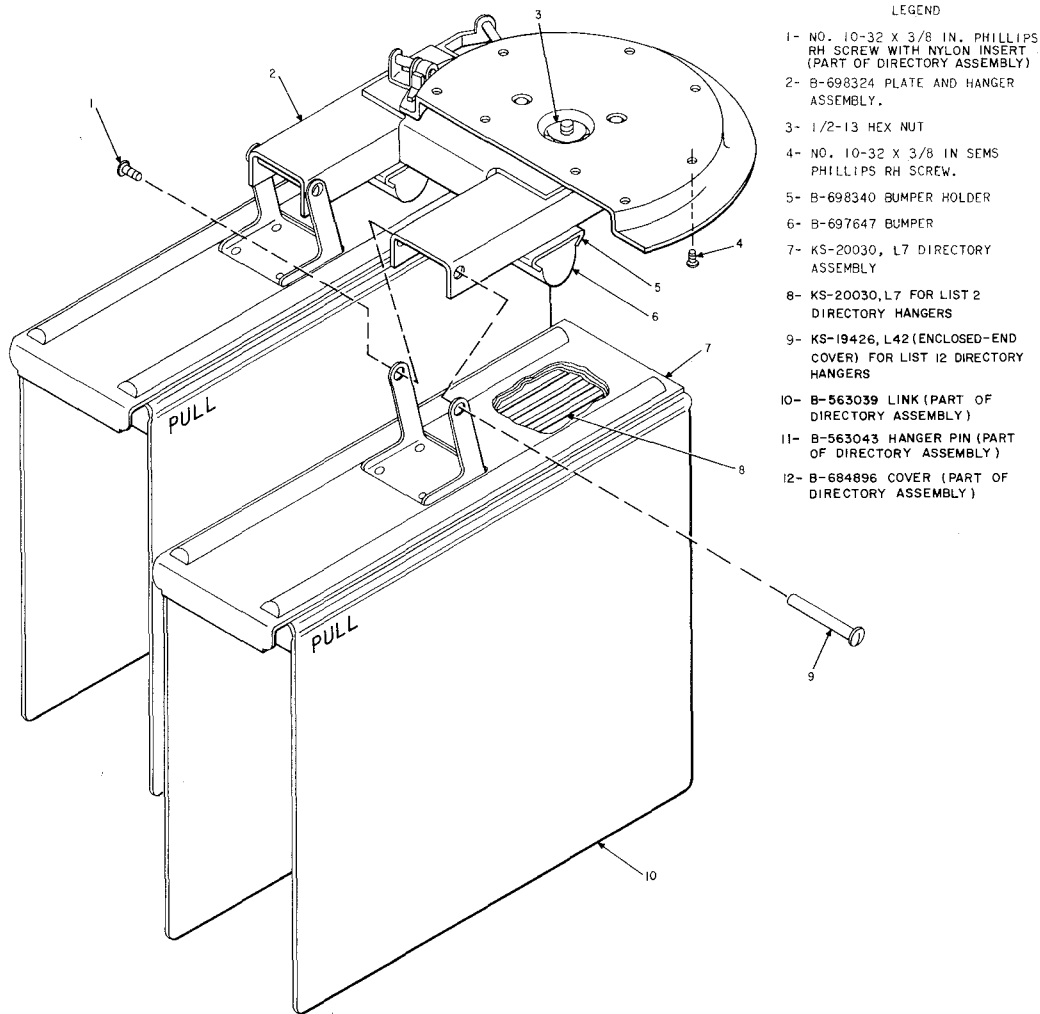
*Note:* Early model must be modified as follows:

**3.09** Remove the KS-19267, List 11 directory rack per Fig. 13 or the KS-19267, List 13 cover assembly per Fig. 14.

**3.10** If present, remove subset and subset mounting bracket per Fig. 15.

**3.11** Remove writing shelf from frame of shelf assembly per Fig. 16.

**3.12** Mount KS-19267, List 14 mounting bracket (Fig. 17) temporarily and secure it at the left front with one 8-32 by 7/16 RHM screw.



**Fig. 2—KS-20030, List 2 Directory Hanger (Typical for Double Binder)**

- 3.13** Using the mounting bracket as a template, mark the location for drilling a second hole on the front cross rail and three holes (Fig. 18) on the rear cross rail.
- 3.14** Remove the screw and mounting bracket.
- 3.15** Using No. 25 drill, drill the hole marked on the front cross rail.
- 3.16** Using a No. 17 drill, drill the holes marked on the rear cross rail.
- 3.17** Install KS-19267, List 14 mounting bracket and secure with one 8-32 by 7-16 RHM screw, one 8-32 by 7/16 RH self-tapping screw, and three 10-32 by 1/2 RH self-tapping screws. Screws are furnished with mounting bracket.

♦TABLE A♦

## KS-20030 DIRECTORY HANGERS

LIST NO.	DESCRIPTION	DIRECTION OF ROTATION	DEGREE OF ROTATION	USED WITH	FIG. REF
1	Single Binder—will accept a directory up to 4 inches thick	Counter-clockwise	90°	KS-19267 Shelf	3
2	Two Single Binders—each will accept a directory up to 4 inches thick			KS-14611 Booth KS-19580 Booth	4
3		Clockwise		KS-16797 Booth KS-19425 Booth KS-20255 Booth	5
5	Same as List 1		60°	KS-20194, List 1 Shelf KS-20194, List 3 Shelf KS-20194, List 5 Shelf	6
6		Counter-clockwise		KS-20194, List 2 Shelf KS-20194, List 4 Shelf	Not Available
7	Directory Assembly—can be ordered as a replacement part	Not applicable	90°	KS-20030, List 1 KS-20030, List 2 KS-20030, List 3	1 and 2
8				KS-20030, List 5 KS-20030, List 6	1
10	Same as List 13 with mounting plate	Clockwise	90°	KS-20842, List 30 Shelf KS-20842, List 31 Housing	7
11	Same as List 1 except with KS-19426, List 42 closed-end cover	Counter-clockwise		KS-20842, List 32 Housing	—
12	Same as List 2 except with 2 KS-19426, List 42 closed-end covers			KS-20842, List 32 Housing	—
13	Same as List 3 except with KS-19426, List 42 closed-end cover	Clockwise		KS-20842, List 32 Housing KS-20255 Booth	8

**3.18** If subset was removed in 3.10, perform following operations:

- (1) Place flange of KS-19267, List 15 subset mounting bracket (Fig. 19) on edge of right-hand curved column and secure to List 14 mounting bracket using two 8-32 by 5/16 RHM screws, two No. 8 lockwashers, and two 8-32

hex nuts (Fig. 20). Hardware is furnished with List 15 bracket.

- (2) Install subset on mounting bracket.

**3.19** Install writing shelf per Fig. 16.



**Fig. 3—KS-20030, List 1 Directory Hanger Mounted on KS-19267 Shelf**



**Fig. 4—KS-20030, List 2 Directory Hanger Mounted on KS-19267 Shelf**

- 3.20** Install List 1 or List 2 directory hanger to shelf assembly.

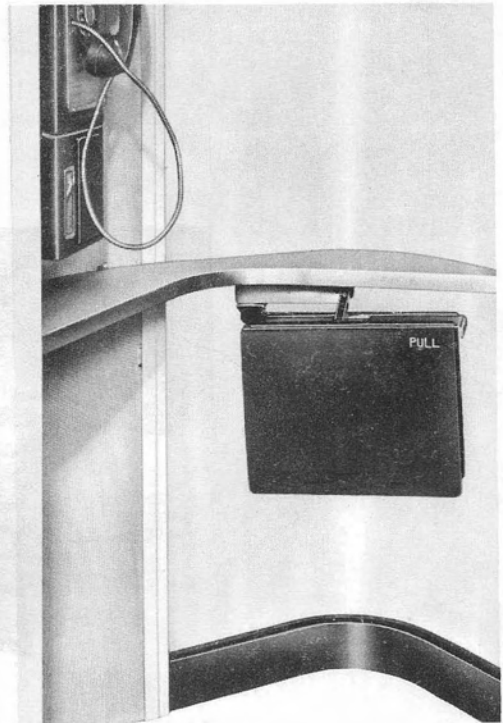
#### **KS-20842 TELEPHONE MOUNTINGS**

##### **KS-20842, List 30 Shelf (4 studs)**

- 3.21** Secure the List 10 directory hanger to the shelf assembly using five 10-32 by 3/8 SEMS Phillips RHM screws furnished with hanger.

##### **KS-20842, List 31 Housing (Walk-Up)**

- 3.22** Secure the List 10 directory hanger to the housing using four L-765065-3 FH security



**Fig. 5—KS-20030, List 3 Directory Hanger in KS-20255 Telephone Kiosk**

- screws and four Nylon insert hex nuts furnished with hanger.

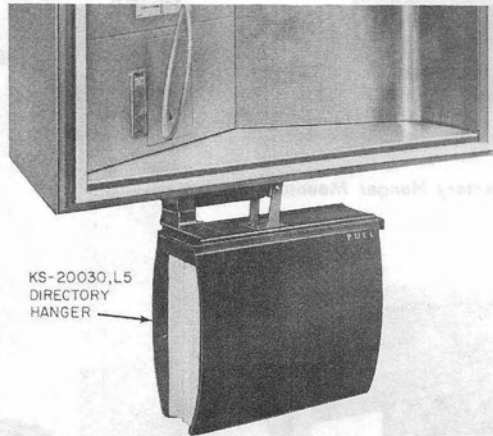
##### **KS-20842, List 32 Housing (Walk-In)**

- 3.23** Secure the List 11, 12, or 13 directory hanger to the housing using 10-32 by 3/8 SEMS Phillips RHM screws furnished with hanger.

*Note:* Install directories in hangers using same method shown in Section 508-710-101. There are 5 rods in each KS-20030 hanger.

#### **4. MAINTENANCE**

- 4.01** Maintenance of the KS-20030 directory hangers consists of replacing broken or damaged parts and lubricating bearings with KS-19589 lubricant. Refer to Fig. 1 and 2 for replacement parts.



**Fig. 6—KS-20030, List 5 Directory Hanger Mounted on KS-20194 Shelf**

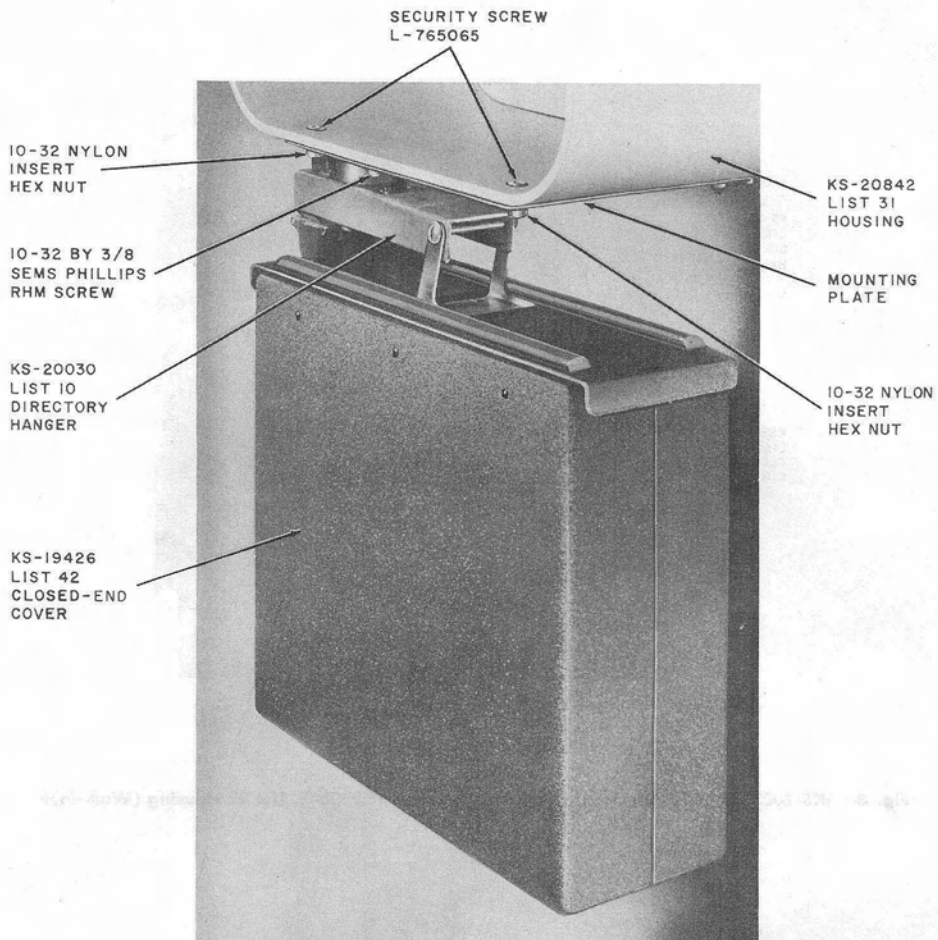


Fig. 7—KS-20030, List 10 Directory Hanger Mounted on KS-20842, List 31 Housing (Walk-Up)

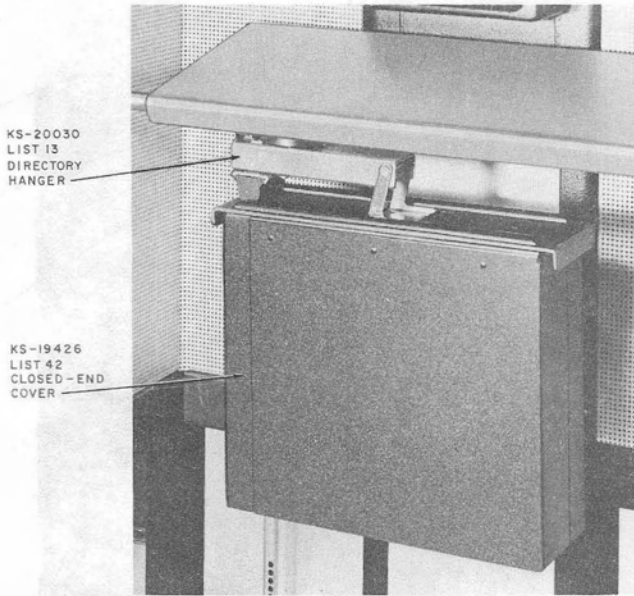


Fig. 8—KS-20030, List 13 Directory Hanger Mounted on KS-20842, List 32 Housing (Walk-In)



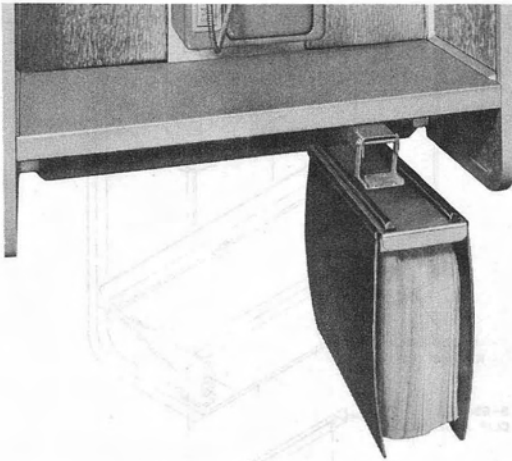


Fig. 9—KS-20030, List 1 Directory Hanger Rotated 90°

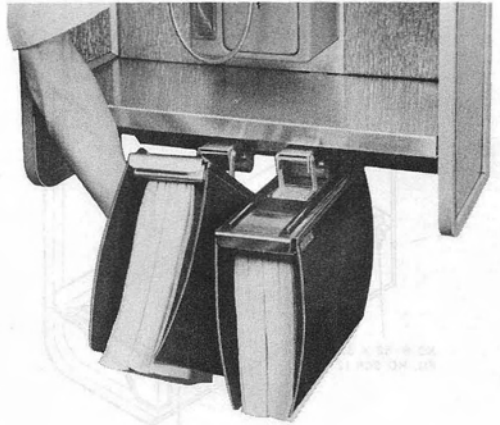


Fig. 11—KS-20030, List 2 Directory Hanger Rotated 90°

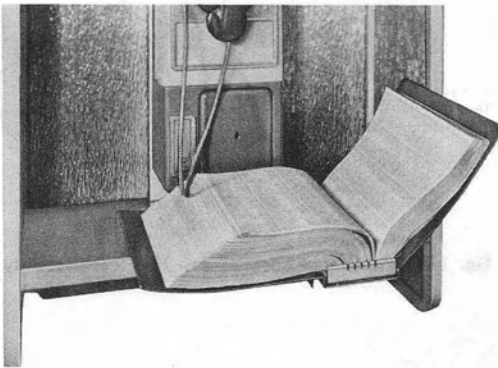


Fig. 10—KS-20030, List 1 Directory Hanger in Reading Position

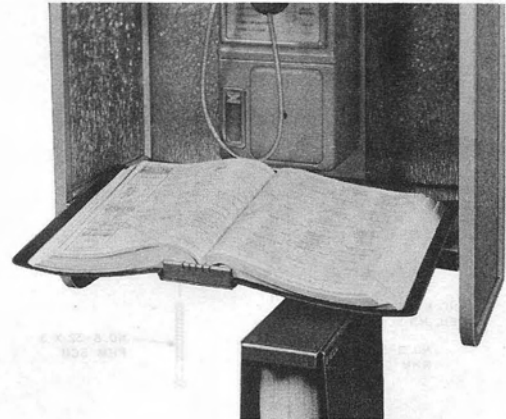
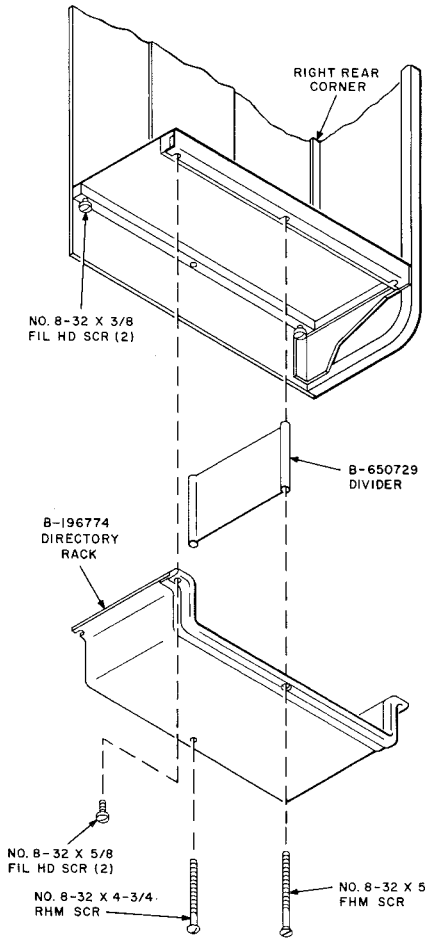
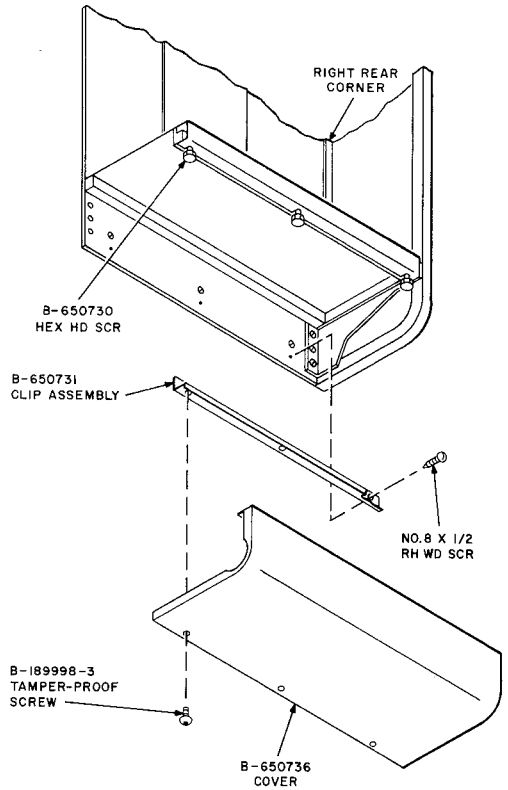


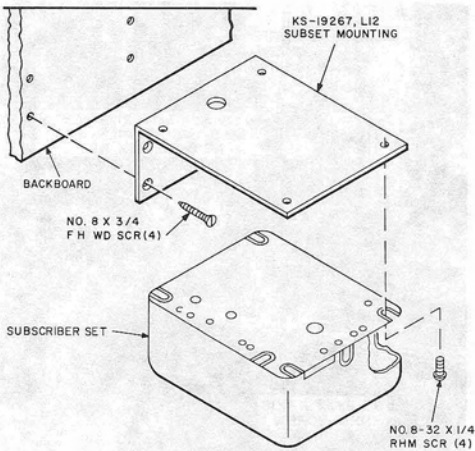
Fig. 12—KS-20030, List 2 Directory Hanger in Reading Position



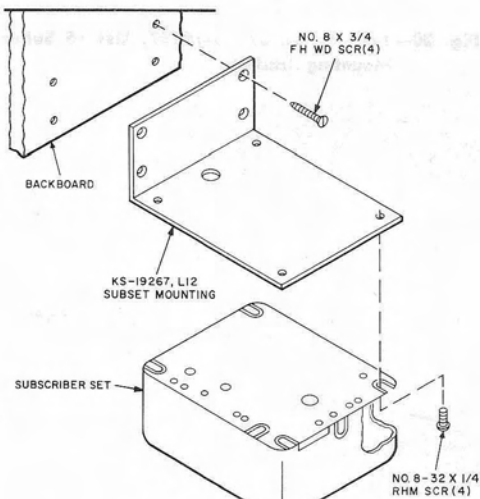
**Fig. 13—Assembly of KS-19267, List 11 Directory Rack**



**Fig. 14—Assembly of KS-19267, List 13 Cover Assembly**

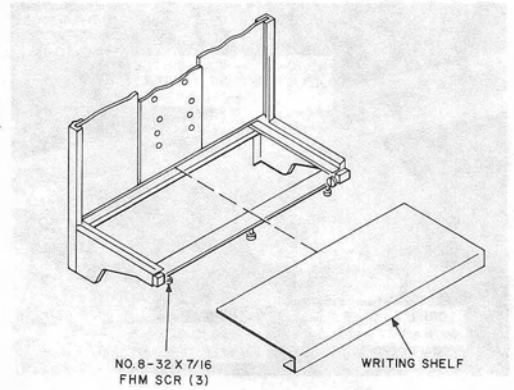


**A**  
METHOD FOR MOUNTING  
WITHOUT DIRECTORY RACK

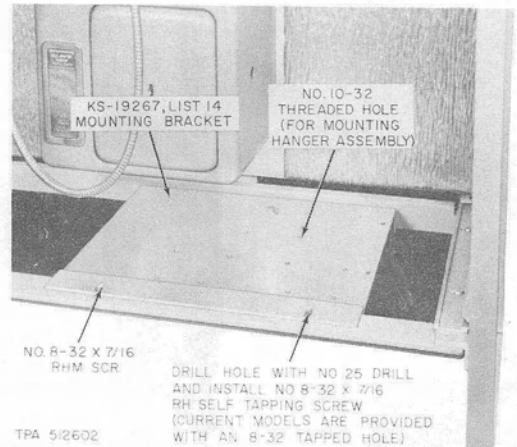


**B**  
METHOD FOR MOUNTING  
WITH DIRECTORY RACK

**Fig. 15—Assembly of KS-19267, List 12 Subset Mounting Bracket**



**Fig. 16—Assembly of Writing Shelf**



**Fig. 17—Locating KS-19267, List 14 Mounting Bracket**

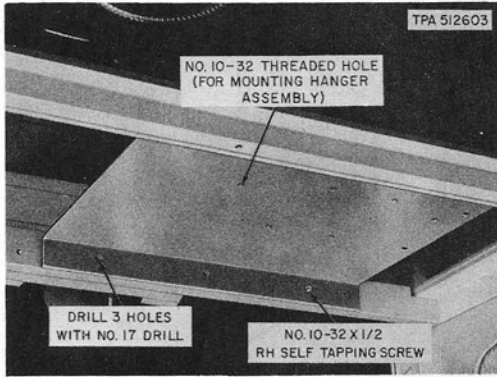


Fig. 18—Installation of KS-19267, List 14 Mounting Bracket

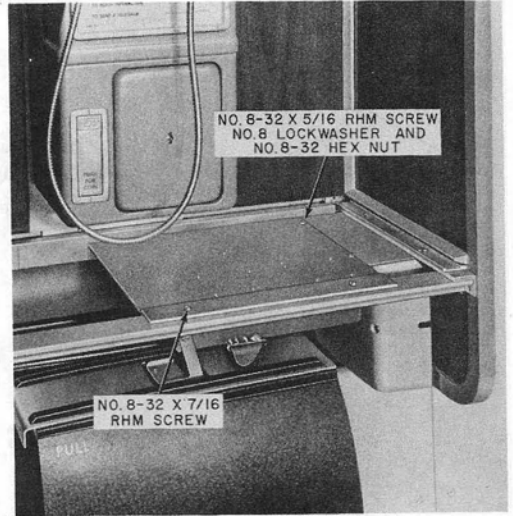


Fig. 20—Installation of KS-19267, List 15 Subset Mounting Bracket

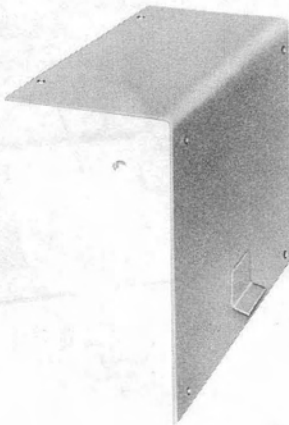


Fig. 19—KS-19267, List 15 Subset Mounting Bracket

