

AERIAL CABLE

D AND E CABLE GUARD—PROTECTION FROM SQUIRRELS AND BIRDS

1. GENERAL

1.01 This section contains information on D and E cable guards (AT-8815) used for the protection of aerial cable from damage by squirrels or birds.

1.02 This section is reissued to include information on D and E cable guards. The C cable guard (AT-8402) is rated MD.

2. DESCRIPTION

2.01 The D and E cable guards are shown in Fig. 1 and 2, respectively.

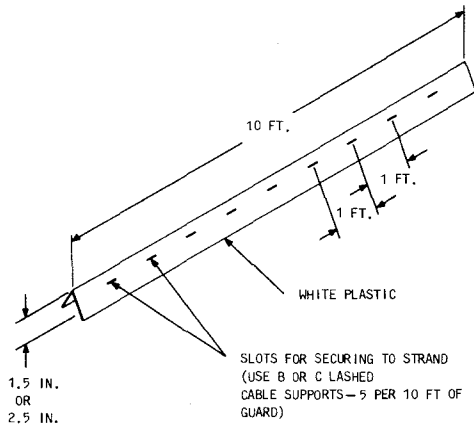


Fig. 1—D Cable Guard

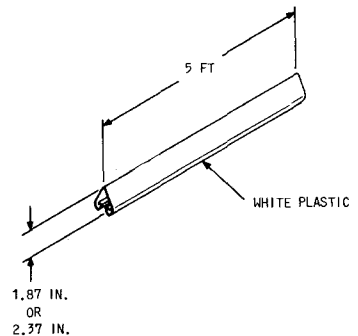


Fig. 2—E Cable Guard

NOTICE

Not for use or disclosure outside the
Bell System except under written agreement

2.02 Table A lists the D and E cable guards, the available sizes, and applications.

TABLE A
D AND E CABLE GUARDS

CABLE GUARD	SIZE (IN.) (VERTICAL HEIGHT)	WT. (LBS)	WILL FIT CABLE DIAMETER (IN.)	APPLICATION
D	1.5 2.5	1.2 1.9	0.50 to 1.22 1.22 to 2.25	Ring Supported Cable ¹
E	1.87 2.37	1.0 1.75	0.50 to 1.0 1.0 to 2.0	Lashed or Self-Supported Cable

Note 1: Should also be used where obstructions prevent the use of the E cable guard

3. INSTALLATION

3.01 Where D or E cable guards are specified for a particular area, each cable span and associated splice sleeves must be protected throughout.

3.02 The D and E cable guards may be installed by one individual using a ladder or an aerial lift truck. Each length of cable guard must be placed in position continuously along the span as required. The guards may be readily trimmed with B tabbing shears where standard lengths are too long or where notching for span clamps is required.

Note: In colder temperatures the cable guards will be less flexible and more difficult to trim. It is recommended that the cable guards be placed when temperatures are above 20°F.

D Cable Guard

3.03 Install D cable guards in accordance with Fig. 3. Place B or C lashed cable supports in slots to secure cable guard to strand. Use a minimum of five supports per ten foot section of cable guard.

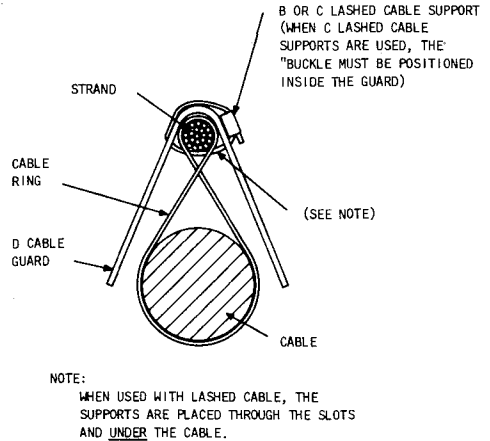


Fig. 3—D Cable Guard Installed on Ring Supported Cable

E Cable Guard

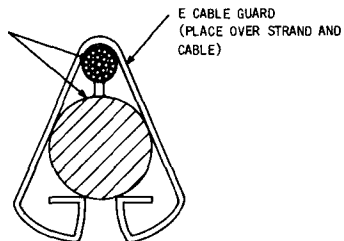
3.04 Install E cable guards by snapping in place over self-supporting cable or lashed cable as shown in Fig. 4 and 5.

3.05 Three or more sections of cable guard can often be placed to the right and to the left of the midspan starting point.

3.06 At splice sleeve locations, place the D cable guard such that the ends overlap the adjacent E cable guards by several inches.

3.07 D and E cable guards may be removed for cable inspection or relocation and reuse.

SELF-SUPPORTING
CABLE AND STRAND



NOTE:
E CABLE GUARD IS ALSO
USED ON LASHED CABLE.

Fig. 4—Installation of E Cable Guard

2. INSTALL CABLE GUARD SECTIONS TO THE
RIGHT (AND LEFT) OF THE MIDSPAN STARTING
POINT BUTTING THE ENDS TOGETHER AND
PLACING ALONG THE STRAND AND CABLE.

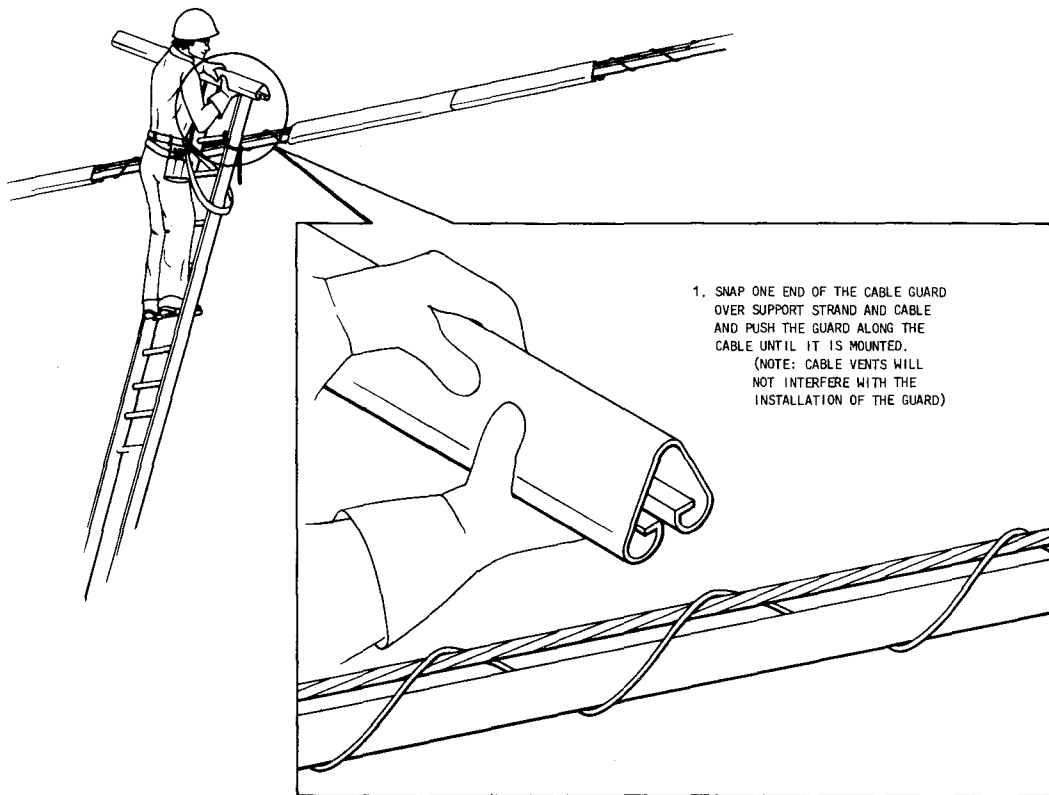


Fig. 5—E Cable Guard Installed on Self-Supporting Cable