

CABLE TAGS

UNDERGROUND CABLE

	CONTENTS	PAGE
1.	GENERAL	1
2.	DESCRIPTION OF TAGS	2
3.	GENERAL RULES FOR TAGGING CABLES	3
4.	STRAP CABLE TAGS	4
5.	LASHED CABLE TAGS	4
6.	WARNING TAGS	4
7.	TAGGING DUCT SPLICES	5
8.	TAGGING CABLES AND EQUIPMENT OWNED BY AUTHORIZED LICENSEES	5

● Include information on tagging cables and equipment owned by authorized licensees in the same manhole with telephone plant.

1.03 The general retagging of existing cable not tagged in accordance with this section is not recommended. However, when cable rearrangement work results in the changing of cable numbers and counts, all cables covered by the job including main and subsidiary cables should be checked and retagged as necessary in all manholes that are entered by construction forces.

1. GENERAL

1.01 This section contains information for locating and attaching the various tags used in marking underground cables, stubs, splices containing coil cases, duct splices, etc. It also covers the warning tags used to designate cables containing coaxials and video pairs, as well as cables maintained under gas pressure, coaxial cables filled with sulphur hexafluoride (SF₆), polyethylene sheath cables with insulating joints, and cables and equipment owned by authorized licensees in the same manhole with telephone plant.

1.02 This section is reissued to:

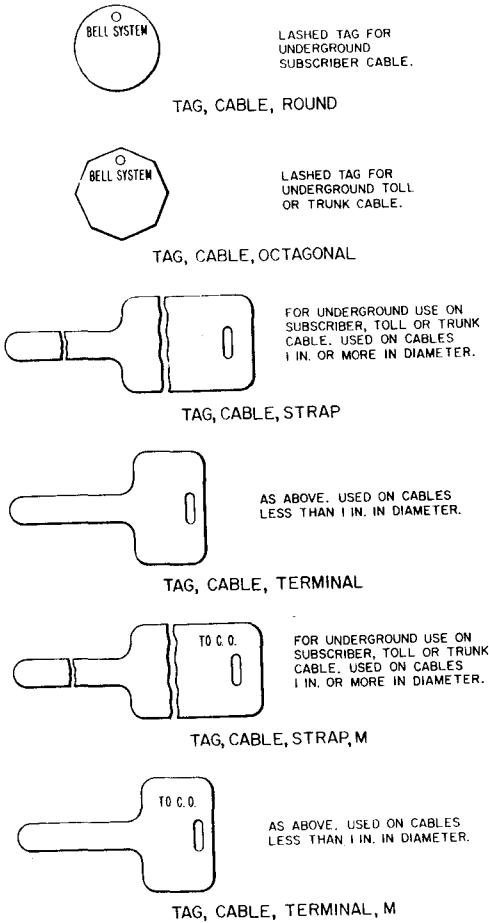
- Include information on M Strap Cable Tags and M Terminal Cable Tags.

2. DESCRIPTION

2.01 Cable Tags: These lead tags (Fig. 1) are for use in identifying underground cables. There are six tags available, both marked and unmarked, as follows:

TAG	MARKING
Round Cable Tag	BELL SYSTEM
Octagonal Cable Tag	BELL SYSTEM
Strap Cable Tag	Blank (not marked)
M Strap Cable Tag	TO C.O.
Terminal Cable Tag	Blank (not marked)
M Terminal Cable Tag	TO C.O.

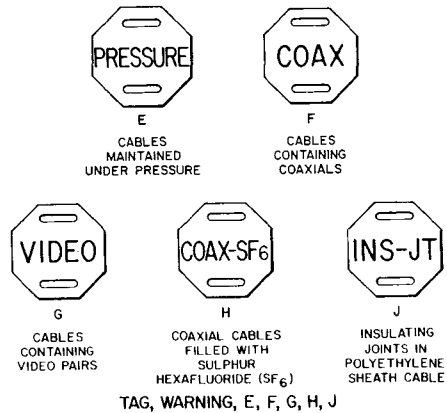
**Reprinted to comply with modified final judgment.



◆ Fig. 1—Cable Tags ◆

2.02 Warning Tags: These octagonal lead tags (Fig. 2) are used to identify underground cables containing coaxial and video pairs, gas pressure and pressure plugs. The tags are designated E, F, G, H, and J Warning Tags and are marked as follows:

TAG	MARKING
E	PRESSURE
F	COAX
G	VIDEO
H	COAX-SF ₆
J	INS-JT



◆ Fig. 2—Warning Tags

3. GENERAL RULES FOR TAGGING CABLES

3.01 Cables in central office vaults should be tagged near the duct entrance to the vault between the first two uprights. In small offices without cable vaults the cables should be tagged near the duct or pipe bend entrance or at the splice.

3.02 In manholes cables should be tagged between the splice and end walls. Cables extending between manholes will require a tag at each end. These tags should be placed between the end cable racks and the ducts, about 1 inch from the racks.

3.03 All underground cables, stubs, and branch cables 100 pairs and larger, except 150 and 450 pairs, and not more than 900 pairs should be tagged and steel stamped as follows:

- (1) The first digit of the cable size.
- (2) The last two numerals of the year installed.
- (3) Number for additional cables of the same size placed in the same year.

Example:

A 900-pair cable installed in 1964 would be tagged and stamped 9-64. A second cable of the same size placed in the same year would be tagged and stamped 9-64-1.

3.04 All underground cables larger than 900 pairs should be tagged as outlined in 3.03 except the first two digits of the cable size should be indicated.

Example:

A 2400-pair cable placed in 1965 would be tagged and stamped 24-65.

3.05 All underground cables and stubs smaller than 100 pairs and 150- and 450-pair cables and stubs should be tagged and stamped as outlined

in 3.03 except that all digits of the cable size should be indicated.

Example:

A 150-pair cable placed in 1964 would be tagged and stamped 150-64.

3.06 Splice-type loading coils should be indicated by placing a strap cable tag on the cable adjacent to the sleeve.

3.07 Underground and aerial cables containing coaxial conductors, video pairs, or cables under gas pressure can be identified by use of the appropriate warning tags. These are usually placed on the splice. Use the coaxial tag alone if the cable contains both coaxial and video pairs. It is not necessary to tag cables under pressure with pressure tags when such cables are part of an exchange area in which all the cables are maintained under pressure.

3.08 Coil case stubs should be tagged and stamped with the last two digits of the year of placement. Additional cases of the same type placed in the same year should be designated with suffix numbers.

Example:

A 236D Coil Case placed in 1966 would be tagged and stamped 66. A second case of the same type also placed in 1966 should be tagged and stamped 66-1.

3.09 Carrier apparatus case stubs should be tagged adjacent to the case. This tag should include the following information:

- (1) Originating and terminating offices (abbreviated)
- (2) Carrier type
- (3) Last two digits of year placed.

Example:

Carrier apparatus case stubs in a T Carrier System installed in 1965 and operating between Broadway and Chestnut Offices would be tagged and stamped as follows:

BR-CH
T-65

4. STRAP CABLE TAGS

4.01 The tag (with the cable size and the year), can be attached to the sheath as shown in Fig. 3. The tag should be placed around the sheath and the tongue pulled through the slot and bent back on itself to hold it in place.

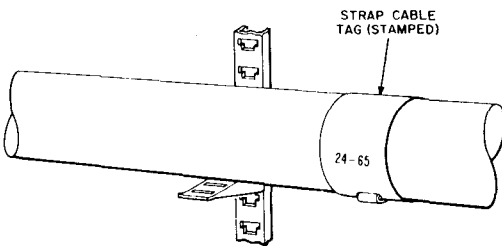


Fig. 3—Strap Cable Tag Installed

4.02 Splices containing coil cases should be indicated by a strap cable tag placed on the sheath and stamped as illustrated in Fig. 4.

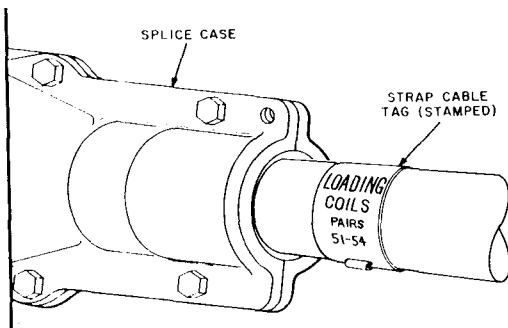


Fig. 4—Strap Cable Tag at Load Coil Case

5. LASHED CABLE TAGS

5.01 The tags should be fastened to the sheath using a strand of lead lashing wire threaded twice through the hole in the tag (Fig. 5) and twisting the ends together below the cable, as shown in Fig. 6.

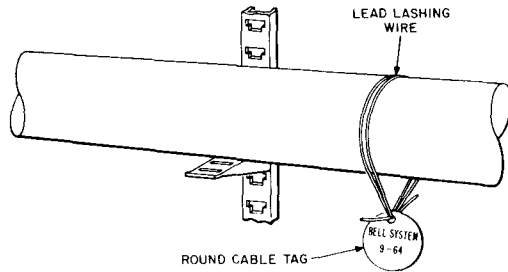


Fig. 5—Cable Tag Placed with Two Loose Wraps of Lead Lashing Wire

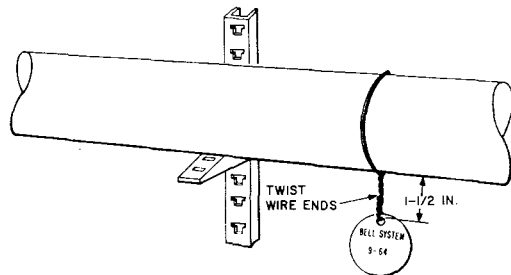


Fig. 6—Cable Tag Lashed

6. WARNING TAGS

6.01 The E, F, G, H, and J Warning Tags can be attached to the splice by one of the method illustrated in Fig. 7, 8 and 9.

6.02 The superseded A, B, and C Warning Tags of enameled metal can be fastened to the splice by the lead strap method illustrated in Fig. 7 or 8.

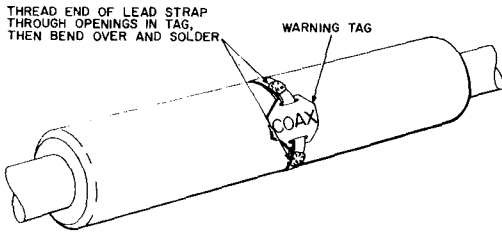


Fig. 7—Warning Tag Placed—Method One

THREAD SUPPORT THROUGH HOLES IN TAG AND THROUGH BUCKLE. THREAD THROUGH TAG AGAIN AND PULL TIGHT AFTER SECOND WRAP. CUT OFF EXCESS ABOUT 1/2 IN. BEYOND BUCKLE. THEN FOLD CUT END OF STRAP AND PASS FOLDED END THROUGH BUCKLE COMPLETING SECOND WRAP. BEND FOLDED END BACK OVER BUCKLE AS SHOWN.

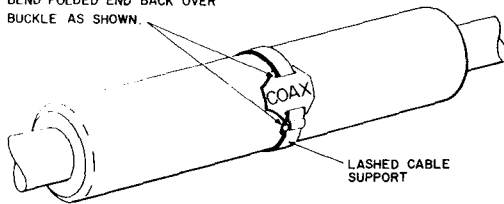


Fig. 8—Warning Tag Placed—Method Two

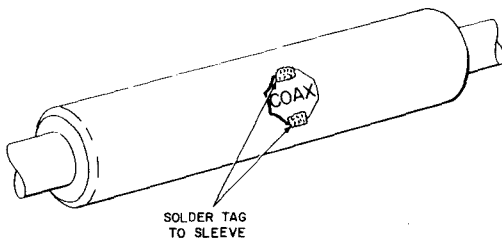


Fig. 9—Warning Tag Placed—Method Three

7. TAGGING DUCT SPLICES

7.01 After the duct splice has been made, a tag of the design shown in Fig. 10 should be soldered around the cable at each end of the section to indicate the presence of the duct splice. Stamp each tag to show the distance in feet from the end wall of the manhole to the duct splice.

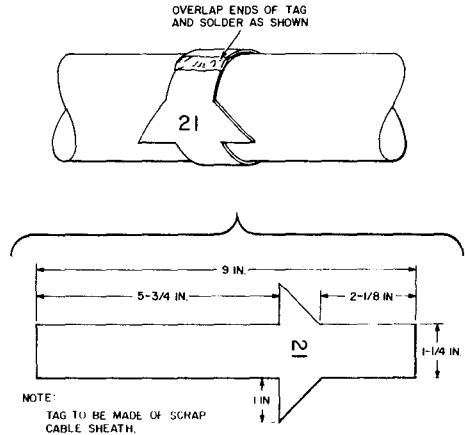


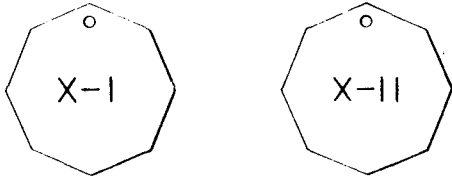
Fig. 10—Duct Splice Tag

8. TAGGING CABLES AND EQUIPMENT OWNED BY AUTHORIZED LICENSEES

8.01 Cable and equipment owned by authorized licensees in the same manhole with telephone company plant should be identified with tags for the following reasons:

- Distinguish their plant from telephone plant.
- Identify ownership when more than one licensee has facilities similar in appearance in the same manhole.
- Reduce the possibility of personnel from one company accidentally opening cables owned by another company.

8.02 ♦The exact identification code to be placed on the tag should be determined locally. An example of how ownership could be determined is shown in Fig. 11. The X indicates that the cable is owned by a licensee and the suffix number differentiates between licensees where more than one has facilities in the same manhole. Even if only one licensee has facilities in the manhole, the letter X and the number 1 should both be stenciled on the tag to cover future growth.♦



♦Fig. 11—Example of Tag to Identify Cable and/or Equipment of Authorized Licensees ♦

8.03 ♦The letters and numbers can be stamped on the lead tag by using stencils that are available or other tools that will make a reasonably deep indentation in the lead.♦

8.04 ♦The licensee owning the facilities may attach additional tags to further provide identification of components or features of its system.♦

6.05 ♦Cables and equipment owned by authorized licensees appearing in Telephone Company manholes must be identified, by means of a lead cable tag, in each manhole. Tags should be placed on the cables between where they emerge from a duct and the first cable rack. A tag should be placed on lateral cables as well as the main cable.♦

8.06 ♦Where a company owns more than one cable entering the same duct, it is permissible to wrap a wire around all the cables and attach a tag at this point. In other words, when the cables are so bundled, it is not necessary to attach a tag designating ownership to each individual cable. ♦