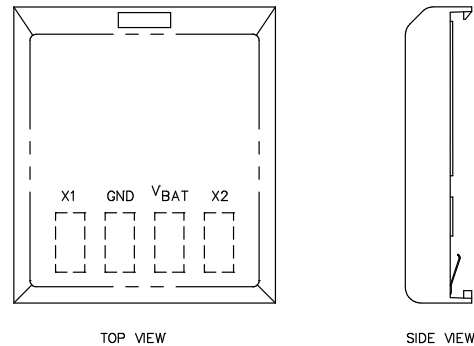


DALLAS
SEMICONDUCTOR

DS9034PCX
PowerCap with Crystal

FEATURES

- Provides 10 years of battery backup power for Non-volatile Timekeeping RAM's in the PowerCap Module package (PCM)
- Snaps directly onto surface-mounted PowerCap Module Boards
- Detachment feature allows easy removal
- Compatible with these 34-pin PowerCap Modules:
 - DS1644P-xxx
 - DS1646P-xxx
 - DS1647P-xxx



PIN DESCRIPTION

| | |
|-----------|----------------------------------|
| V_{BAT} | – +3 Volt Battery Output |
| GND | – Ground |
| X1, X2 | – 32.768 KHz Crystal Connections |

ABSOLUTE MAXIMUM RATINGS*

| | |
|-----------------------|----------------|
| Operating Temperature | 0°C to 70°C |
| Storage Temperature | –20°C to +70°C |

CRYSTAL CHARACTERISTICS

| | |
|-------------------|------------|
| Nominal Frequency | 32.768 KHz |
| Load Capacitance | 6 pF |

BATTERY CHARACTERISTICS

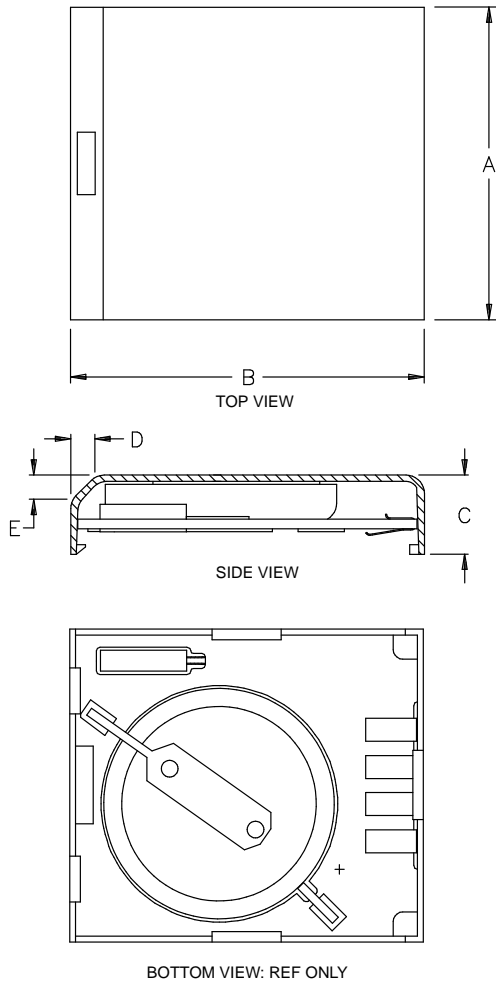
| | |
|---------------------|-----------------|
| Nominal Voltage | 3V |
| Nominal Capacity | 130 mAh |
| Chemistry | Li (CF)x |
| Data Retention Life | 10 Years (25°C) |

* This is a stress rating only and functional operation of the device at these or any other conditions above those indicated in the operation sections of this specification is not implied. Exposure to absolute maximum rating conditions for extended periods of time may affect reliability.

DESCRIPTION

The DS9034PCX PowerCap is designed to be a snap-on lithium power source for Nonvolatile Timekeeping RAMs in Dallas Semiconductor's directly surface-mountable PowerCap Module (PCM) package. After a PowerCap Module Board has been soldered in place and cleaned, the DS9034PCX PowerCap is snapped on top of the PCM Board to form a complete PowerCap Module package. The PowerCap is keyed to prevent incorrect attachment. The DS9034PCX can be easily removed by inserting a regular screwdriver into a detachment feature and prying gently outward and upward to release the PowerCap from the PowerCap Module Board.

DS9034PCX



| PKG | INCHES | | | |
|-----|--------|-------|-------|-------|
| | DIM | MIN | NOM | MAX |
| A | | 0.845 | 0.850 | 0.855 |
| B | | 0.955 | 0.960 | 0.965 |
| C | | 0.210 | 0.215 | 0.220 |
| D | | 0.065 | 0.070 | 0.075 |
| E | | 0.065 | 0.070 | 0.075 |

POWER CAP: BATTERY AND CRYSTAL