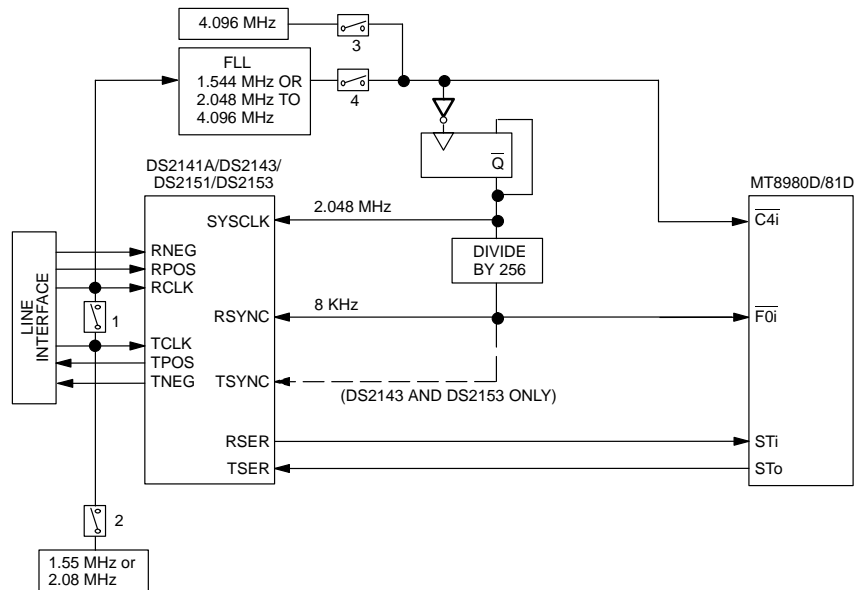


DALLAS
SEMICONDUCTOR

Application Note 313
DS2141A, DS2143, DS2151,
DS2153 PCM Interface,
Interfacing to the Mitel MT8980D



NOTES:

1. The DS2141A and DS2151 are set up with both the receive and transmit elastic stores enabled; the DS2143 and DS2153 only need the receive side elastic store enabled.
2. The RSYN pin is programmed to be an input; the TSYN pin is programmed to be an output on the DS2141A, DS2151 and an input on the DS2143, DS2153.
3. The SYSCLK is set for 2.084 MHz operation.
4. The elastic stores provide controlled slip operation.
5. In "looped-timed" applications, close switch 1 and open switch 2.
6. In applications that cannot handle controlled slips, close switches 1 and 4 and open switches 2 and 3.

- 7. In DS2151 and DS2153 applications, the line interface function is included onboard the device.
- 8. Timing between the devices is shown below:

