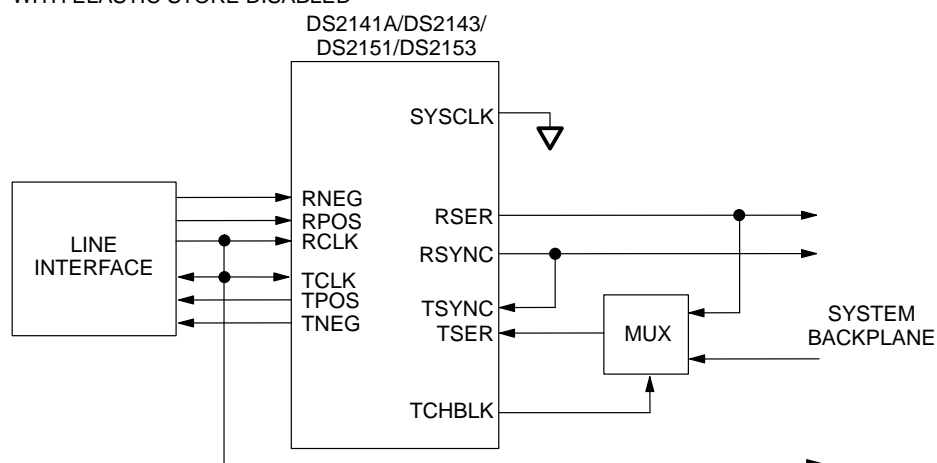
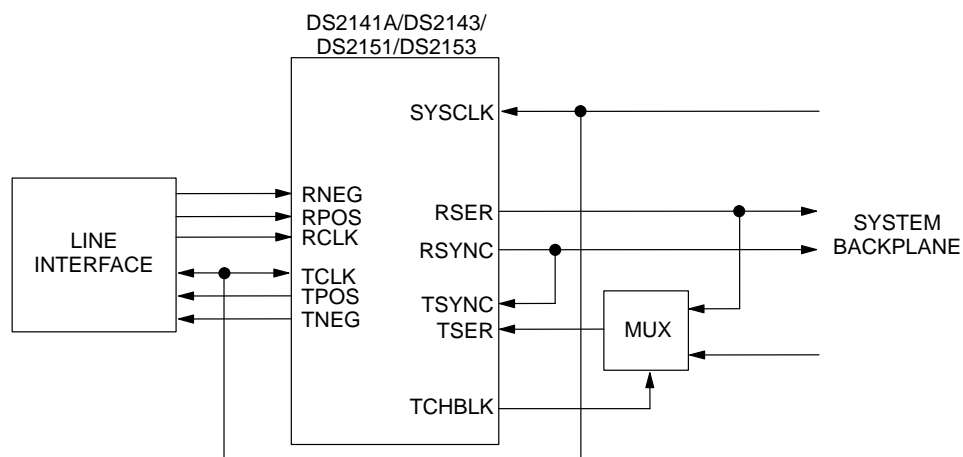


**Application Note 314**  
 DS2141A, DS2142, DS2151,  
 DS2153 PCM Interface,  
 Per-Channel Loopback

WITH ELASTIC STORE DISABLED



WITH ELASTIC STORE ENABLED

**NOTES:**

1. The TCHBLK signal is used to control a 2:1 multiplexer which will select which channels (if any) are to be looped back to the network.
2. In DS2151 and DS2153 applications, the line interface function is included onboard the devices.