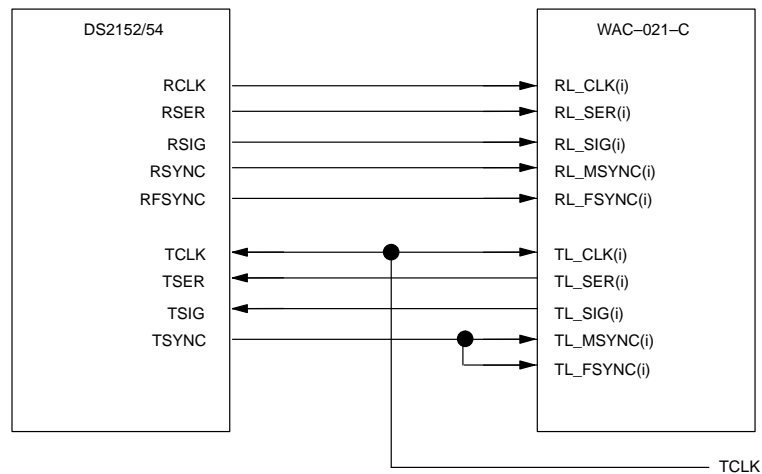


**DALLAS**  
SEMICONDUCTOR

**Application Note 321**  
DS2152, DS2154 PCM Interface,  
Interfacing to the IGT ALL1  
SAR (WAC-021-C)

Interconnections between the DS2152 or DS2154 and the IGT WAC-021-C are shown in Figure 1.

**TRANSCEIVER TO WAC-021-C PCM INTERFACE** Figure 1



In the circuit shown above the framer outputs a multi-frame synchronization pulse on TSYNC. This signal drives both TL\_FSYN and TL\_MSYN of the WAC-021-C. TL\_FSYN does not need to be driven

at every frame boundary. TSYNC may be programmed as an input if the user wishes to define multi-frame boundaries or slave several devices to the same multi-frame/frame boundary.

**NOTES:**

1. The RSYNC and TSYNC pins on the DS2152, DS2154 are programmed as a multi-frame outputs.
2. Use default signaling mode on WAC-021-C.
3. Elastic Stores on DS2152, DS2154 are disabled.
4. The signal TCLK may be derived from RCLK of the DS2152, DS2154.