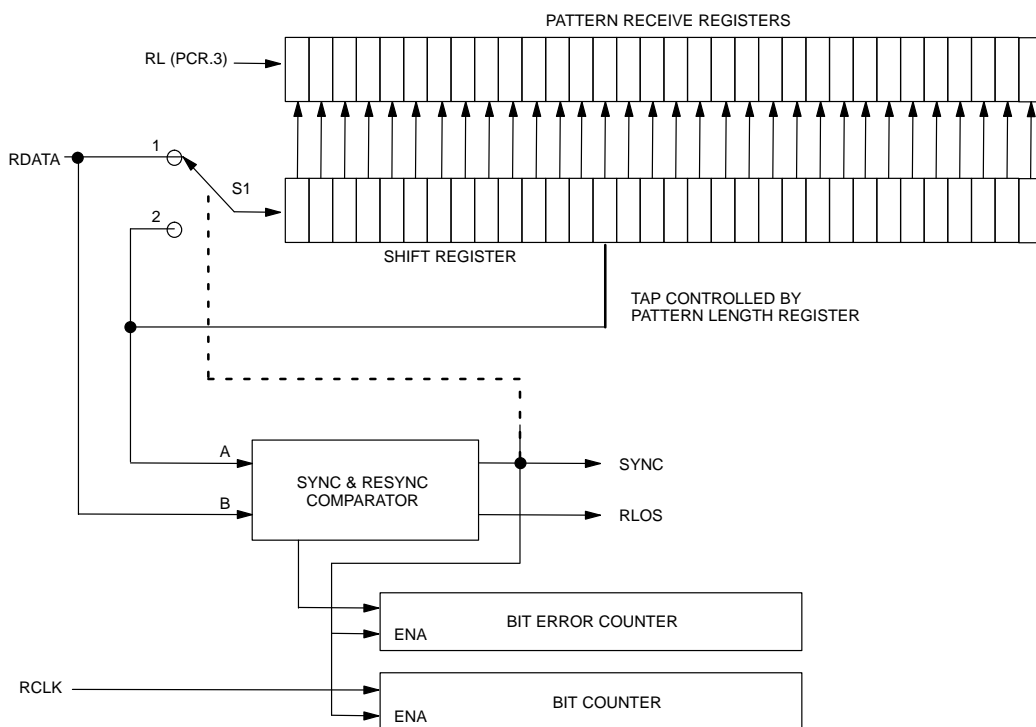




# Application Note 332

## DS2172 Bit Error Rate Tester, Simplified Receiver Operation

### DS2172 SIMPLIFIED RECEIVER OPERATION DURING REPETITIVE PATTERN MODE



- NOTES: 1. ALL RECEIVE CIRCUITRY DISABLED WHEN RDIS = 1  
 2. CLOCKS NOT SHOWN FOR CLARITY

