

# EMP BOX

## REV01

HANDHELD PORTABLE EMP EMITTER BOX.

### PARTS LIST:

R1=2.5K OR 4.7K POTENTIOMETER

R2=20K RESISTOR

---

C1=.1uF (1.8khz to 140khz)

C1=1uF (156hz to 10khz)

---

Q1=IRF840 POWER MOSFET

IC1=NE555 TIMER IC

SW1=SLIDE SWITCH

BATT1=BATTERY PACK 12VDC

L1=10-30 TURN INDUCTOR COIL (SPIRAL WOUND)

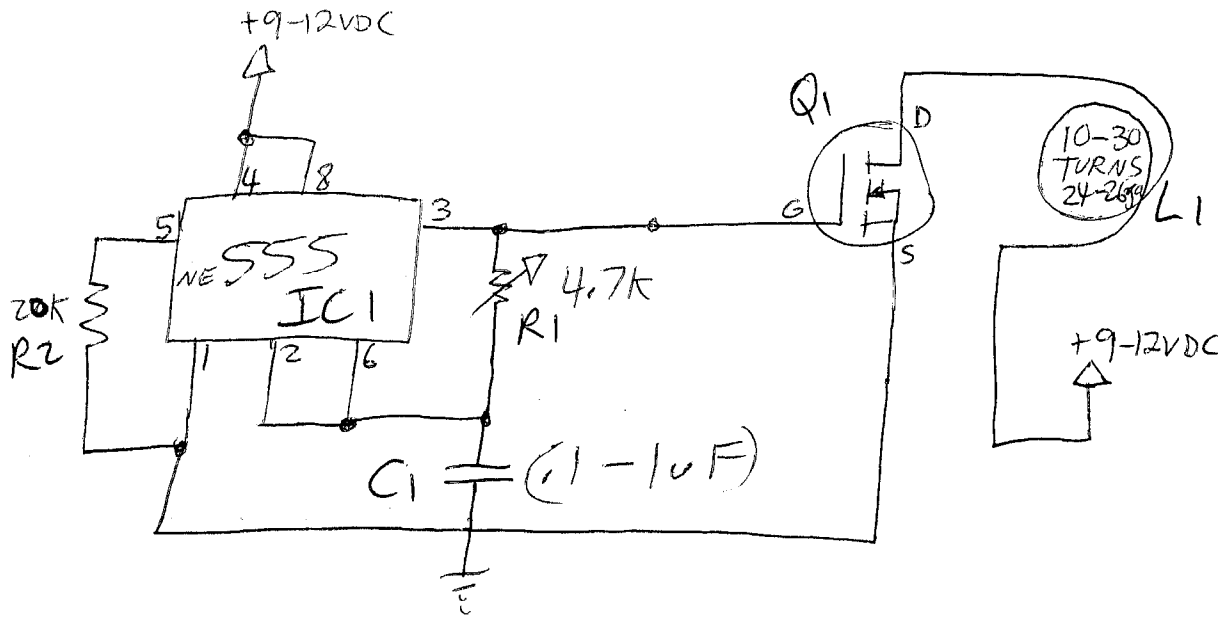
THIS DEVICE HAS A 50%DUTY CYCLE OUTPUT!!!WHICH MEANS IT IS EFFICIENT AND POWERFUL.

---

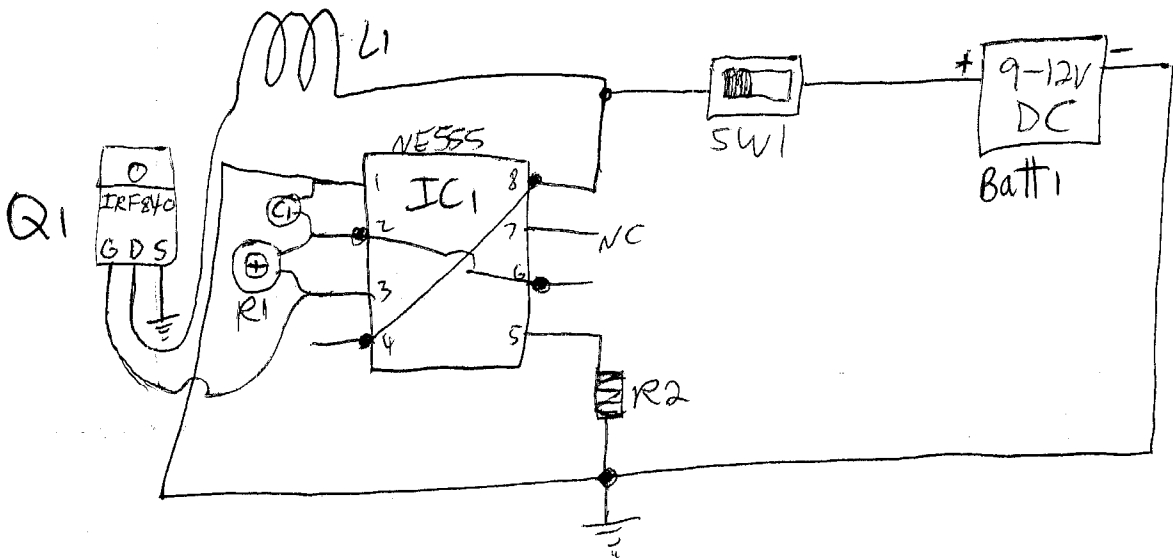
SOLDER ALL PARTS TO THE NE555 TIMER IC TO CONSERVE SPACE.  
PLACE THE MOSFET ON AN ALUMINUM HEAT SINK TO KEEP IT COOL.  
KEEP THE IC AND MOSFET AWAY FROM THE CENTER OF THE COIL AND  
KEEP THE BATTERY PACK AWAY FROM THE COIL.

---

COPYRIGHT UUE 1999'



# EMP BOX (REV.01)



$R_1 = 4.7k$  Potentiometer or  $2.5k$  Pot  
 $R_2 = 20k$   $\frac{1}{4}w$  Resistor  
 $C_1 = .1\mu F = F = 1.9kHz - 140kHz$   
 $C_1 = 1\mu F = F = 156Hz - 10kHz$

Device Has 50% Duty Cycle!!

Copyright UVER 1999