

-PHAZOR-

DUAL UV-ELECTRON BEAM WEAPON

IMAGINE OWNING A STAR TREK PHAZOR! JUST THINK IF IT WAS POSSIBLE TO BUILD SOMETHING LIKE THAT. "SET YOUR PHAZORS ON STUN" SET YOUR PHAZORS ON KILL...

IT EXISTS. IT IS REAL. IT IS EASY TO BUILD. IT IS PORTABLE.

THIS DESIGN WORKS. IT IS THE BEGINNING OF A LONG SERIES OF RESEARCH THAT WILL EVENTUALLY LEAD TO A SMALL COMPACT HANDHELD SIZED VERSION OF THIS WEAPON. THESE PLANS ARE SIMPLE BLOCK DIAGRAMS OF THE UNIT REQUIRED TO BUILD THIS DEVICE. INCLUDED ARE ALSO HIGH VOLTAGE SOURCES FOR THE ELECTRON SOURCE.

PHYSICS OF THE PROJECT:

UNDERSTAND THAT ULTRAVIOLET LIGHT IS AMAZING. IT IS CAPABLE OF BLEACHING, CLEANING, KILLING GERMS, ETCHING OFF SKIN, PLASTICS, WOOD, ETC... FOR THIS PROJECT IT IS CAPABLE OF IONIZING AIR TO THE POINT OF CONDUCTIVITY. IF YOU IONIZE AIR IT BECOMES CONDUCTIVE. WHEN THE AIR BECOMES CONDUCTIVE IT CAN CARRY CURRENT FLOW. HIGH VOLTAGE AND HIGH CURRENT CAN FLOW THROUGH THIS STREAM OF IONIZED AIR. THUS YOU HAVE A TASER WITHOUT PHYSICAL CONTACT.

ALTHOUGH THE TWO PARALLEL BEAMS OF UV LASER LIGHT DOES NOT CAUSE THE MAJORITY OF THE DAMAGE, IT STILL CAN CAUSE BLINDNESS AND BURN.

FIRST YOU WILL NEED TO FIND A SOURCE FOR PARTS. YOU WILL NEED TO OBTAIN A SMALL UV LASER. THERE ARE MANY VERSIONS OF THIS LASER AVAILABLE FOR RELATIVELY CHEAP. DYE, PUMPED, PULSED, CONTINUOUS WAVE, ETC... THE BEST FOR THIS PROJECT IS EITHER DYE OR CONTINUOUS WAVE UV, ALTHOUGH PULSED AND PUMPED WILL ALSO WORK BUT YOU WILL ONLY GET A FRACTION OF THE OUTPUT POWER.

PHYSICALLY:

THE DEVICE IS SIMPLE. YOU HAVE A HIGH VOLTAGE POWER SUPPLY WITH A POSITIVE AND NEGATIVE TERMINAL WITH A POTENTIAL OF 30,000VOLTS DC.

YOU ALSO HAVE TWO ULTRAVIOLET LASERS ISOLATED FROM EACH OTHER WITH THEIR RESPECTIVE BEAMS ISOLATED AND INSULATED FROM ONE ANOTHER. BOTH BEAMS ARE FED INTO SEPARATE COLLIMATORS SO THEY ARE MADE THINNER (<1-2MM), THEN THESE BEAMS ARE BOUNCED PARALLEL TO EACH OTHER, MAKING SURE THE BEAMS STAY A MINIMUM OF 4" FROM ONE ANOTHER TO AVOID ARCING.

ONCE YOU ESTABLISH THE PARALLEL BEAMS AND HIGH VOLTAGE POWER SUPPLY, YOU CAN CONNECT THEM TOGETHER.

FIRST LETS ESTABLISH WHICH BEAM GETS WHAT...

YOU HAVE TWO BEAMS. BEAM 1 AND BEAM 2. BEAM 1 WILL CARRY THE POSITIVE POTENTIAL OF 30,000VOLTS DC AND BEAM 2 WILL CARRY THE NEGATIVE OR GROUND POTENTIAL.

HOW DO YOU CONNECT HIGH VOLTAGE POTENTIALS TO LASER BEAMS?

CONNECT THE POSITIVE WIRE FROM THE HIGH VOLTAGE POWER SUPPLY TO THE NEGATIVE ANODE OF THE UV LASER MAKING BEAM 1. CONNECT THE NEGATIVE OR GROUND FROM THE HIGH VOLTAGE POWER SUPPLY TO THE NEGATIVE ANODE OF THE UV LASER MAKING BEAM 2.

WHAT IF MY UV LASER DOES NOT HAVE AN ANODE AND CATHODE?

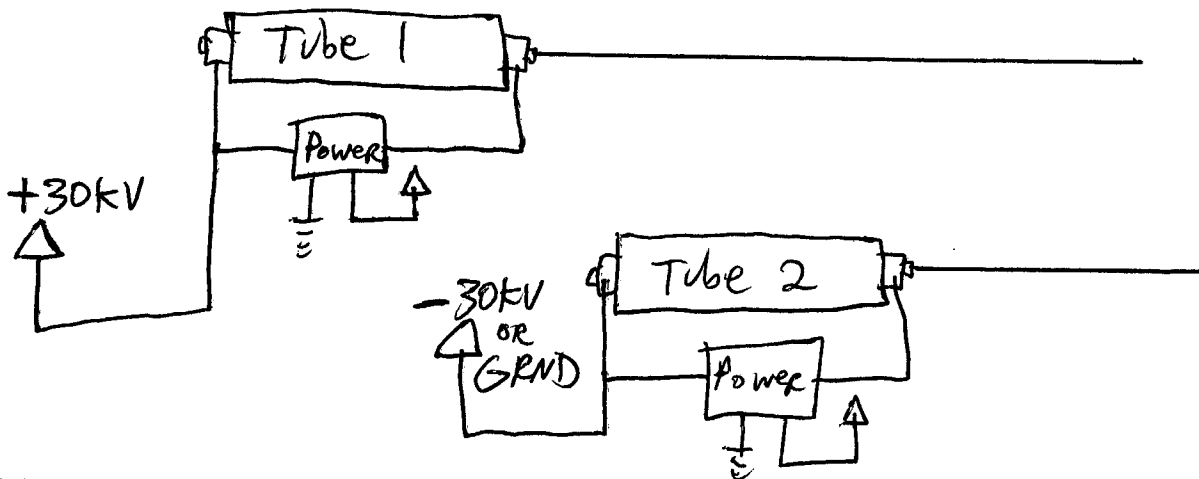
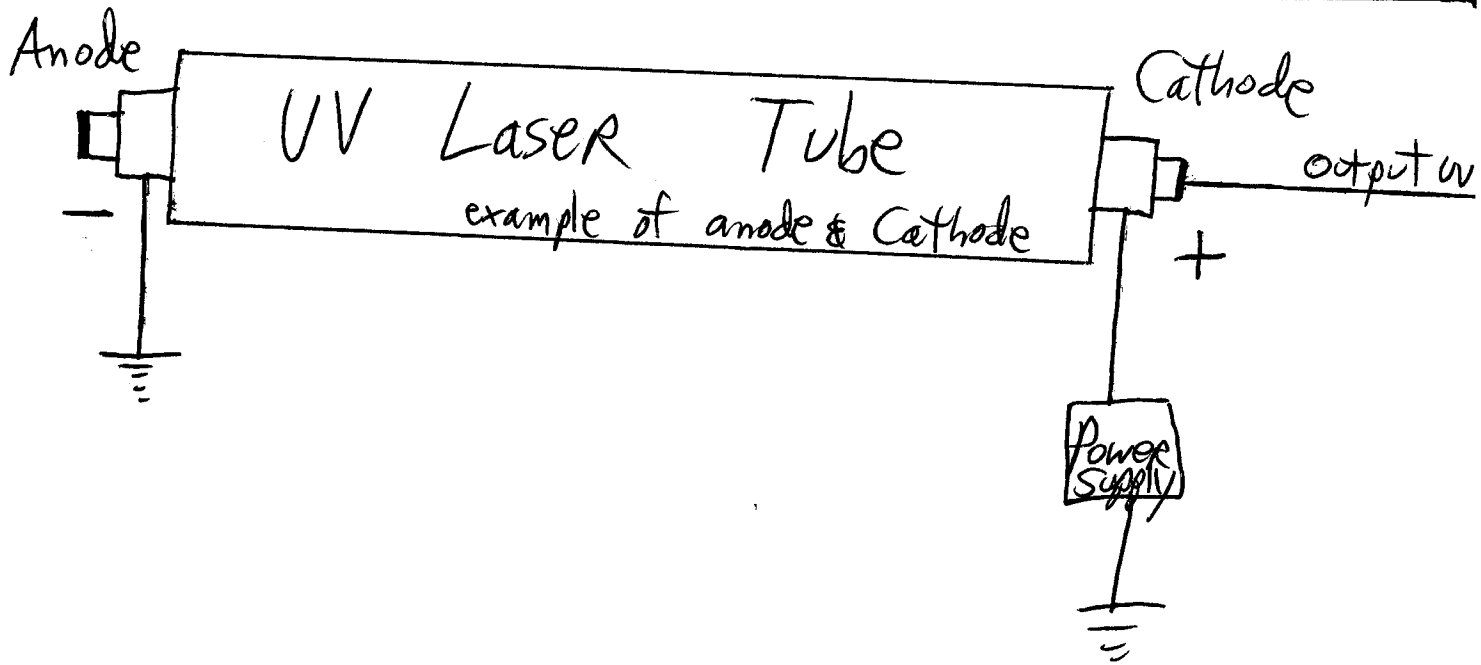
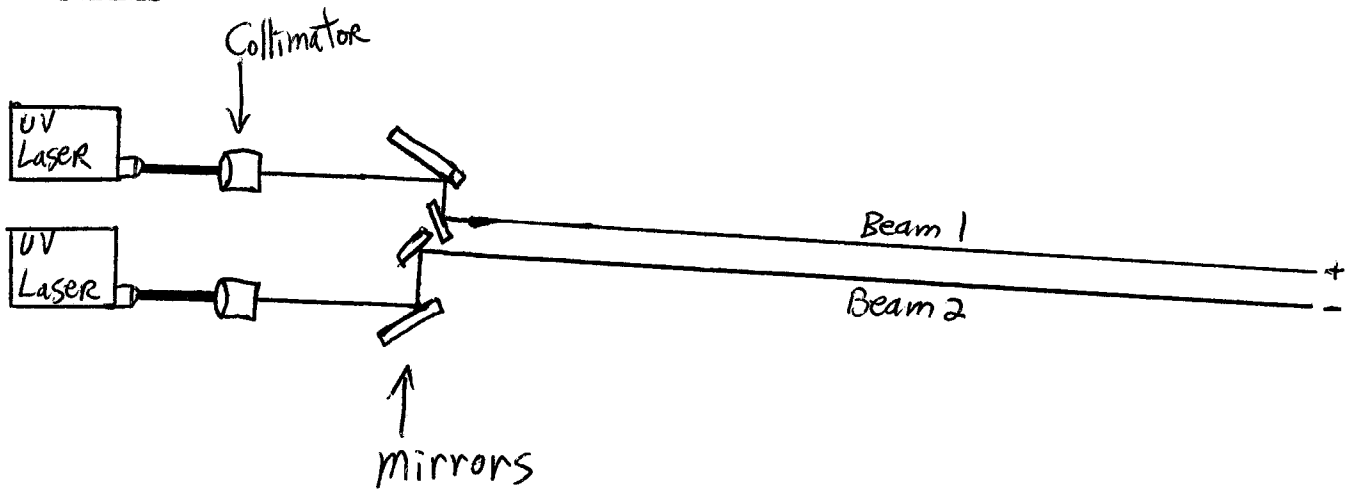
YOU WILL NEED TO TAP INTO THE BEAMS VIA FRONT SURFACE METAL MIRRORS.

USE TWO MIRRORS...ONE FOR EACH BEAM AND KEEP THEM INSULATED FROM EACH OTHER.

CONNECT THE POSITIVE 30KVDC TO THE METAL SURFACE OF THE MIRROR REFLECTING BEAM 1. CONNECT THE NEGATIVE OR GROUND 30KVDC TO THE METAL SURFACE OF THE MIRROR REFLECTING BEAM 2.

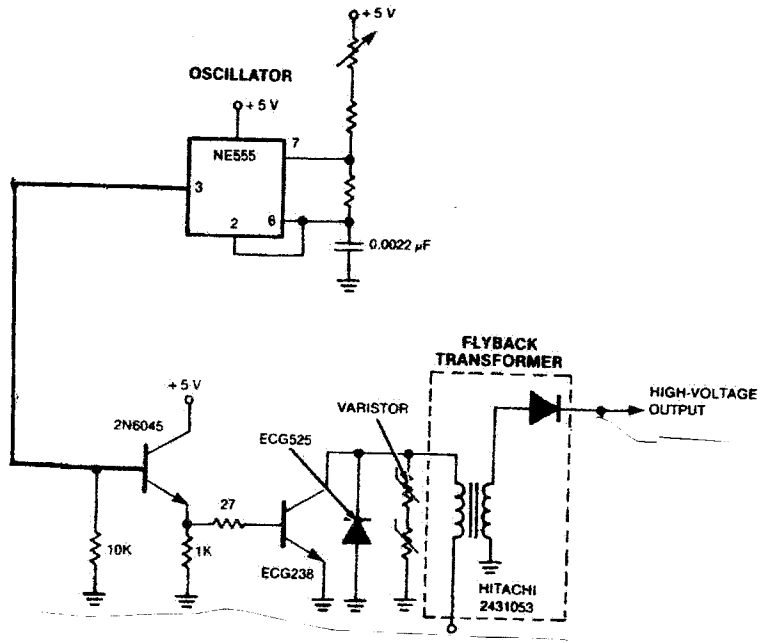
THAT'S IT. YOU NOW HAVE A PHAZOR WEAPON.

DIAGRAMS

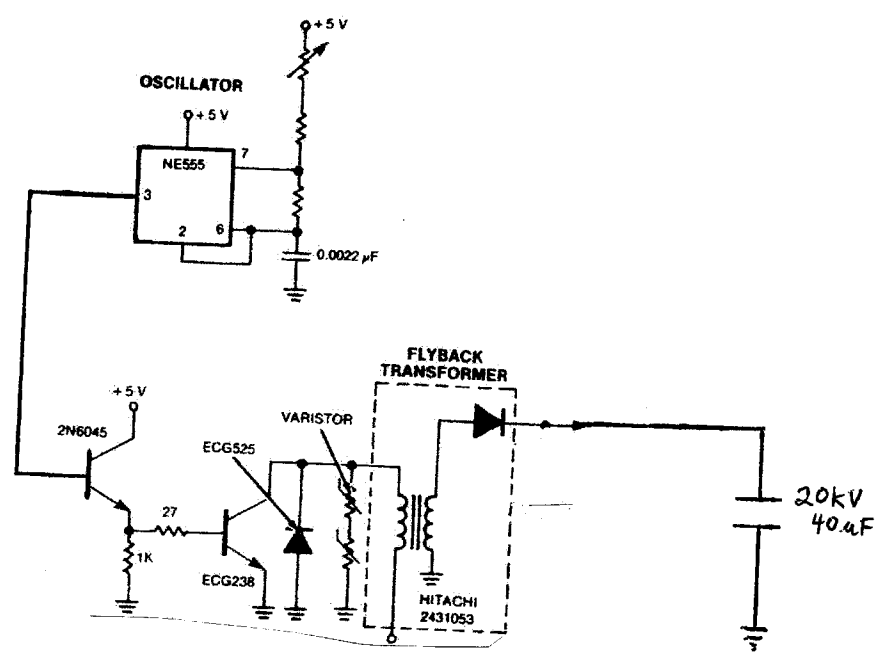


DIAGRAMS

STUN MODE



OR KILL MODE



WITH TECHNOLOGY EVER INCREASING... SOON WE WILL HAVE UV LASER DIODES CAPABLE OF MANY WATTS OF OUTPUT POWER. THIS WILL WORK BUT ONLY FOR A SHORT DISTANCE. YOU WILL NOTICE THAT THE UV WILL ONLY IONIZE AIR OUTWARD OF SO MANY FEET PER UNIT OF OUTPUT POWER... THERE IS A FORMULA BUT WE DON'T HAVE IT. EXPERIMENT ON DIFFERENT WAVELENGTHS OF UV AND THE EFFECTS IT HAS ON IONIZATION OF THE AIR. LET US KNOW YOUR RESULTS. [HTTP://WWW.PLANSKITS.COM](http://www.plans-kits.com)

DO NOT BUILD THIS DEVICE. UUE OR PLANS-KITS UNLIMITED ARE IN NO WAY RESPONSIBLE OR LIABLE FOR USE OR MISUSE OF THIS OR ANY OTHER INFORMATION, PARTS, KITS OR DEVICES OBTAINED FROM ANY SOURCE. IT MAY BE IN VIOLATION OF FEDERAL LAW TO OWN OR USE THIS DEVICE...