

# BIO-ELECTRICAL STIMULATOR

FIRST YOU MUST DISCARD ALL PREVIOUS KNOWLEDGE OF THE ORGANIC, TYPICAL IDEALISM ABOUT HOW THE HUMAN BODY WORKS. SCIENTISTS STILL DO NOT KNOW WHAT OR WHERE THE ENERGY COMES FROM TO RUN THE BODY. NOW THINK OF THE BODY AS A CIRCUIT WITH ELECTRICITY. ALL CONCEPTS OF ELECTRONICS APPLY TO THE HUMAN BODY, DOCTORS DONT WANT TO ACKNOWLEDGE THIS FACT. WE DO AND SO DO MANY OTHERS WHO HAVE DISCOVERED THIS AMAZING AND SIMPLE CONCEPT. SINCE WE KNOW THIS, WE CAN APPLY SIMPLE AND EFFECTIVE ELECTRONIC SIGNAL STIMULI TO THE BODY TO CREATE RESULTS AND FEEDBACK. REMEMBER THAT THE BODY IS NOTHING MORE THAN A LARGE ARRAY OF WIRES AND ELECTRIC PULSES WITH A CPU, THE BRAIN. UNDERSTAND THIS AND THE BODY SUDDENLY BECOMES EASIER TO WORK WITH AND HEAL. IT HAS BEEN PROVEN BY RESEARCH THAT VIRUSES, BACTERIA, FUNGUS, DISEASES, ETC...HAVE BEEN CURED FROM THE BODY WITH SIMPLE ELECTRONIC SIGNALS INJECTED INTO THE BODY. AIDS HAS EVEN BEEN DESTROYED IN TEST SUBJECTS WITH A DEVICE SIMILAR TO THE ONE WE WILL SHOW BELOW. THE STIMBOX IS TO BE USED FOR ENTERTAINMENT PURPOSES ONLY, NO MEDICAL CLAIMS ARE MADE. USE OR BUILD AT YOUR OWN RISK.

---

## PARTS NEEDED TO BUILD ONE UNIT.

6-12VDC RELAY DPDT	X2
10-15VAC (50-200MA) ADAPTER	X1
1K OHM REOSTAT	X2
1K 2W OHM REOSTAT	X2
SPST TOGGLE SWITCHES	X3
#16 OR 18 HARNESS WIRE	10FT
BANNANA PROBE CONNECTORS	2 SETS OF MALE/FEMALE
CAPACITIVE SKIN CONTACT PADS	2 SETS
STEP DOWN TRANSFORMER (115VAC TO 10-15VAC) USED IN REVERSE TO STEP UP.	X2

---

THE PARTS ABOVE ARE TO BUILD A UNIT WITH AC OUTPUT ONLY. TO MAKE THE OUTPUT DC SIMPLE PLACE A FULL WAVE BRIDGE RECTIFIER ON THE OUTPUT.

---

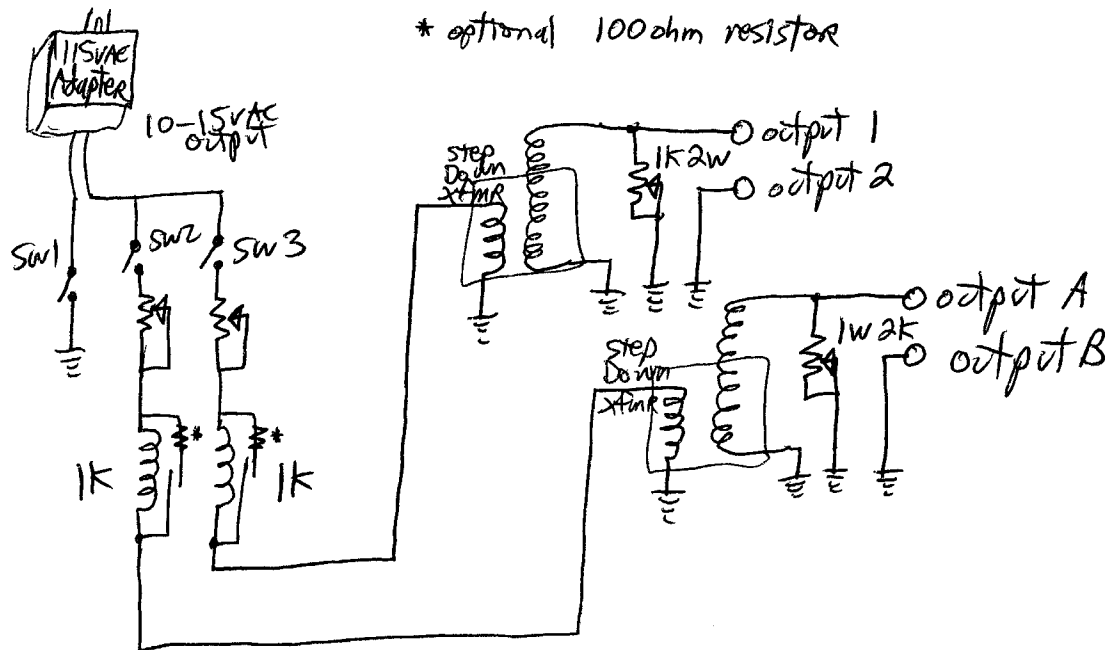
## CONSTRUCTION:

THE REOSTATS RATED AT 1KOHM WILL BE USED TO VARY THE FREQUENCYS OF EACH OUTPUT EITHER INDIVIDUALLY OR SIMULATANEOUSLY. THE TWO 1K 2W REOSTATS WILL BE USED TO LIMIT THE CURRENT FLOW AT THE OUTPUTS.

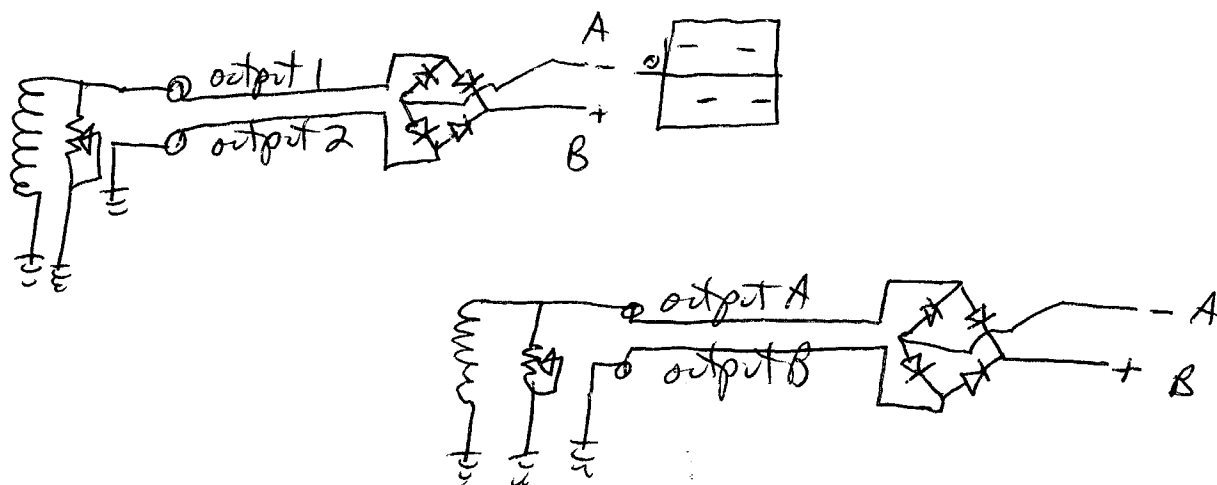
THE AC ADAPTER WILL SUPPLY POWER TO THE DEVICE. THE AC INPUT WILL RUN THROUGH AN ON/OFF SWITCH AND INTO THE TWO SWITCHES AND 1K REOSTATS. FROM EACH REOSTAT THE POWER WILL RUN INTO EACH RELAY WHICH HAS BEEN CONVERTED IN A MULTIVIBRATOR USING DIRECT COUPLED FEEDBACK FROM THE INPUT TO THE POLE SWITCHES. THE OUTPUTS FROM EACH RELAY WILL FEED INTO EACH TRANSFORMER IN REVERSE AS TO STEP UP THE VOLTAGE AND NOT THE CURRENT. THE OUTPUTS WILL BE FEED DIRECTLY INTO THE BANNANA PLUG JACKS AND INTO THE SKIN PADS. TO HAVE A DC OUTPUT RATHER THAN AC YOU MUST SIMPLE PLACE A FULL WAVE RECTIFIER ON THE OUTPUTS TO GIVE A PULSATING DC.

---

A BASIC DIAGRAM/SCHEMATIC IS BELOW.



TO MAKE IT HAVE A DC OUTPUT.



THROUGH RESEARCH AND WORD OF MOUTH WE FOUND THAT PLACING THE SETS OF SKIN PADS IN CERTAIN PATTERNS ON THE BODY HAD BETTER RESULTS. WE LABELED THE PADS 1, 2 AND A, B. BELOW ARE THE CONFIGURATIONS THAT WORKED WELL.

1 AND 2 ON THE BOTTOMS OF EACH FOOT.  
A AND B ON THE PALMS OF EACH HAND.

1 ON THE LEFT FOOT, A ON THE RIGHT FOOT.  
2 ON THE LEFT PALM, B ON THE RIGHT PALM.

1 ON THE LEFT FOOT, A ON THE LEFT PALM.  
2 ON THE RIGHT FOOT, B ON THE RIGHT PALM.

MAKE A NOTE THAT THE SKIN PADS CAN BE SUBSTITUTED WITH ALUMINUM FOIL PADS COVERED WITH WET PAPER AND TAPED ON THE SKIN.

THE ABOVE THREE WAYS ARE ONLY FOR INFORMATION ONLY, DO NOT TRY TO PERFORM ANY EXPERIMENTS WITH THE STATED DEVICE. IF YOU DO IT IS AT YOUR OWN RISK. WE AT UUE ARE NOT LIABLE FOR ANY ACTIONS PERTAINING TO THIS TEXT, PLANS OR DEVICE.

---

LOGISTICS AND SPECIFICATIONS ON INPUT VERSUS OUTPUT

ADAPTER SPECS

INPUT 115VAC @60HZ

OUTPUT 10-15VAC @50-200mA @60HZ

RELAY SPECS

INPUT 6-12VDC COIL ACTIVATION @10-100mA

OUTPUT : SET THE RELAYS TO SELF-VIBRATE BY SHORTING THE COIL WITH NORMALLY OPENED POLES.

STEP DOWN TRANSFORMER SPECS

INPUT 115VAC @60HZ

OUTPUT 10-15VAC ~100mA

WHEN USED IN THE DEVICE THE TRANSFORMER MUST BE REVERSED IN ORDER TO STEP UP VOLTAGE RATHER THAN STEP DOWN.

THE DEVICE WILL OUTPUT BETWEEN 77.0 TO 172.5VAC. VARIABLE CURRENT OUTPUT / VARIABLE VOLTAGE BASED ON FREQUENCY OUTPUT.