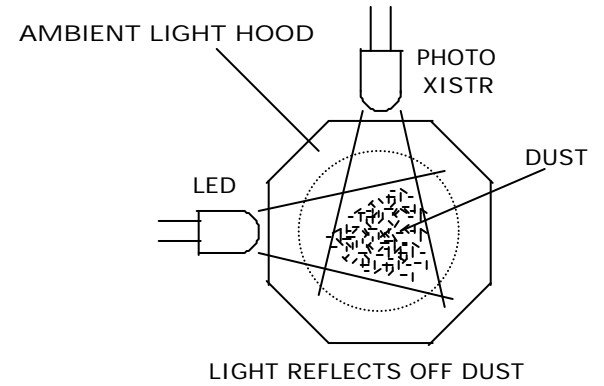
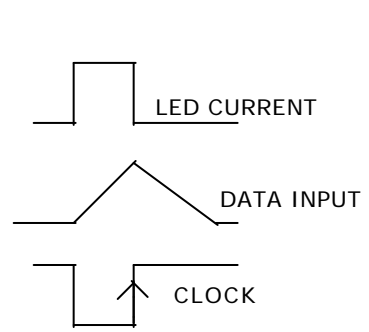


100uS SAMPLE TIME
 1 SAMPLE PER SECOND
 LED PEAK CURRENT = 20mA
 AVERAGE LED CURRENT A 5Hz = 2uA
 ESTIMATED AVERAGE CURRENT = 5uA
 APPROX. 3 YEARS OPERATION



USE SWITCH TO TURN ON FLASHING LED?

