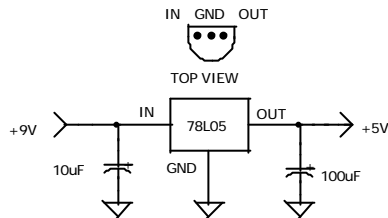
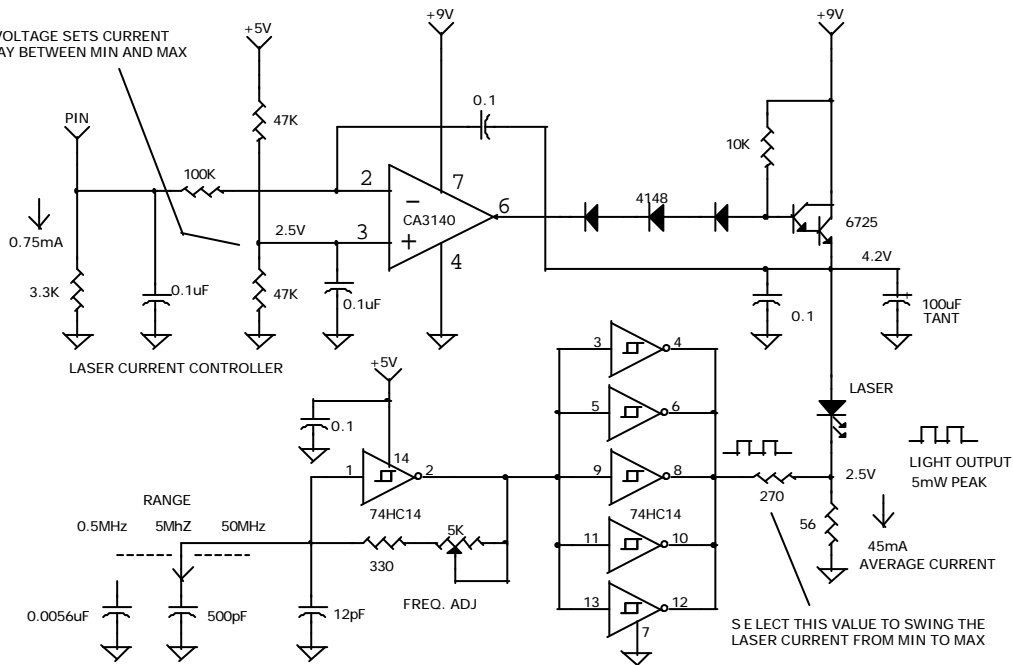


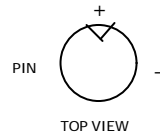
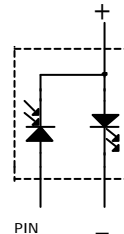
AVERAGE CURRENT = 80mA



THIS VOLTAGE SETS CURRENT
MIDWAY BETWEEN MIN AND MAX



LASER = PANASONIC LN9705



LASING THRESHOLD = 40mA
 MAX OPERATING CURRENT = 50mA
 VOLTAGE DROP = 1.7V
 PIN OUTPUT = 1mA AT 50mA LASER CURRENT