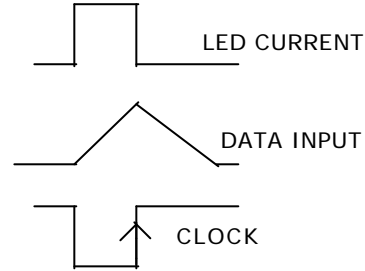
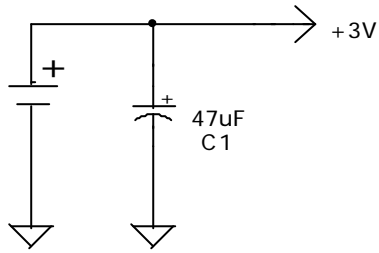
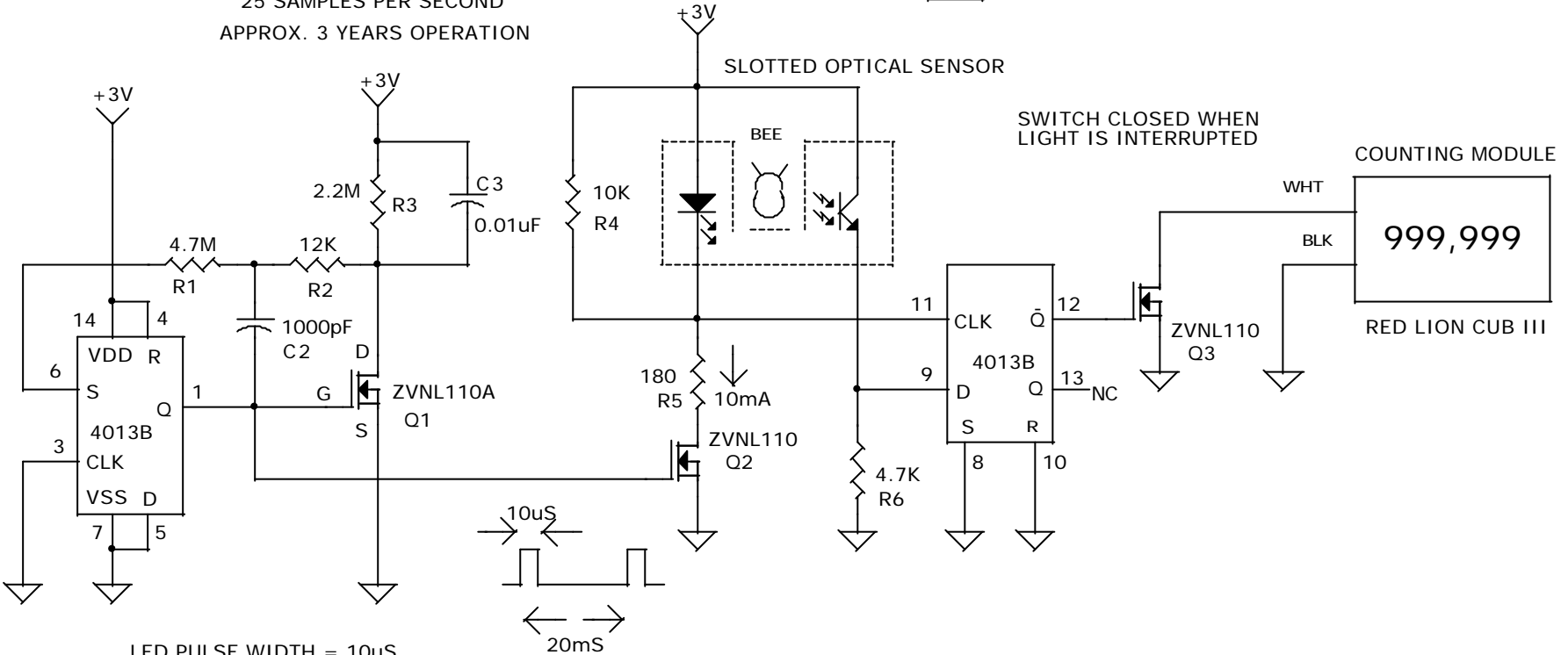


3V
LITHIUM
CELL
500mA-HR



AVERAGE CURRENT = 10uA
10uS SAMPLE TIME
25 SAMPLES PER SECOND
APPROX. 3 YEARS OPERATION



LED PULSE WIDTH = 10uS
LED PEAK CURRENT = 10mA
LED PULSE RATE = 25 PPS
AVERAGE LED CURRENT A 50Hz = 5uA

