

Electronic Brain Stimulator

Caution: this device may cause inadvertant effects on mental and/or physical activites within the body. Caution must be used at all times. We are not liable for any outcomes.

THERE ARE MANY VERSIONS OF THIS ORIGINAL DEVICE. THE NEUROPHONE IS ONE GOOD EXAMPLE. IT BASICALLY FEEDS A 15-60KHZ MODULATED AC SIGNAL THROUGH THE SKIN AND VIA INTO NERVES AT SPECIFIC VECTORS. SOME BELIEVE THE EFFECT IS DUE TO SCALAR OR OTHER ELECTROMAGNETIC VECTOR FIELDS WHICH ARE GENERATED BY THE INTERACTION OF BOTH HUMAN SIGNALS AND ELECTRIC APPLIED SIGNALS. THE WAY IT WORKS: TWO CAPACITIVE ELECTRODES OR PADS ARE PLACED ON THE HEAD, USUALLY THE TEMPLES OR FOREHEAD AND RIGHT OR LEFT BACK OF NECK. A 1000-2500VOLT AC MODULATED SIGNAL IS PLACED ON THIS CARRIER VIA A HIGH FREQUENCY, LOW LOSS TRANSFORMER. THE CARRIER SIGNAL OR VOLTAGE IS 1000-2500VOLT AC WITH VARIABLE CURRENT, OR PLACE A 0-2KOHM POTENTIOMETER IN SERIES WITH THE CARRIER. THIS CARRIER MUST BE MODULATED WITH EITHER AM OR FM SIGNALS VIA A TRANSFORMER OR COMPLEX ELECTRONIC CIRCUIT. THE APPLIED SIGNAL IS BETWEEN 15-60KHZ. THE APPLIED SIGNAL IS FURTHER MODULATED WITH OR IS COMPOSED OF INTELLIGENT DATA OR SIGNALS, IE LIKE A RADIO SIGNAL OR LANGUAGE TAPE, ETC. WITH EVEN MORE COMPLEX SIGNAL VARIATIONS YOU CAN SEE AND HEAR WITHOUT USING YOUR EYES OR EARS. YES IT IS TRUE AND IT HAS BEEN PROVEN. NERVES CONNECTED TO THE BRAIN ARE SUSCEPTABLE TO ANY SIGNAL AND THAT SIGNAL CAN DIRECTLY INFLUENCE WHAT THE NERVE DOES OR SENDS TO THE BRAIN. CAUTION MUST BE USED WHEN USING HIGH VOLTAGE. MAKE SURE THE CURRENT LEVEL NEVER EXCEEDS 5MA MAX.

WHERE TO GET PARTS: PARTS CAN BE OBTAINED FROM MOST ELECTRONIC STORES AND SURPLUS STORES. I FOUND MOST OF MY PARTS FROM A LOCAL JUNK YARD AND MAIL ORDER CATALOGS. SOME OF THESE CATALOGS ARE:
ELECTRONIC GOLDMINE 1-800-445-0697
DC ELECTRONICS 1-800-467-7736
MOUSER ELECTRONICS 1-800-346-6873
THEY ALL HAVE CATALOGS OF WHICH THEY WILL SEND YOU FOR FREE.

PARTS LIST:

1 HIGH POTTED, HIGH FREQUENCY, LOW LOSS AUDIO OR SPECIAL HIGH FREQ TRANSFORMER. MUST BE POTTED FOR CARRIER VOLTAGE RATE.

1 POWER SUPPLY TO SUPPLY A CLEAN 1-2.5KVAC CARRIER SIGNAL. FIG 1POW.

1 25 VOLT @ .001uF DISC CAPACITOR.

2 CONTACT PADS FOR SKIN CONTACT. FIGURE 1PADS.

PAD PARTS LIST:

MYLAR, SOFT SILICON FOAM 1/4" THICK, BRAIDED HIGH FREQ WIRE, ALUMINUM FOIL, HOT GLUE GUN.

**THE DEVICE MUST BE WIRED CORRECTLY IN ORDER TO WORK EFFECTIVELY.
SEE SCHEMATIC DIAGRAM BELOW:**

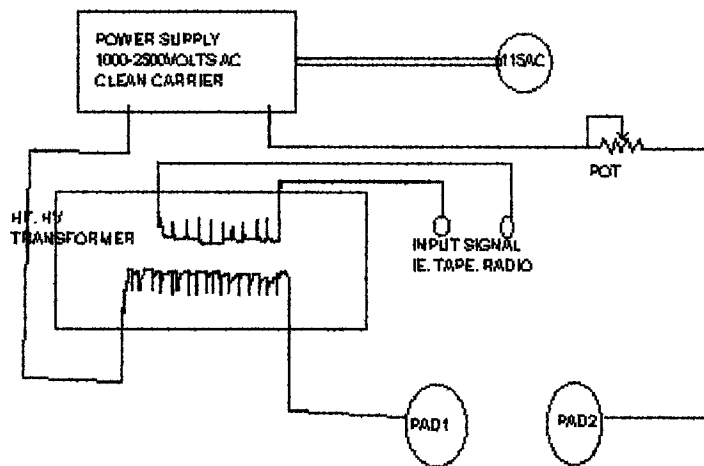


FIGURE 1POW.

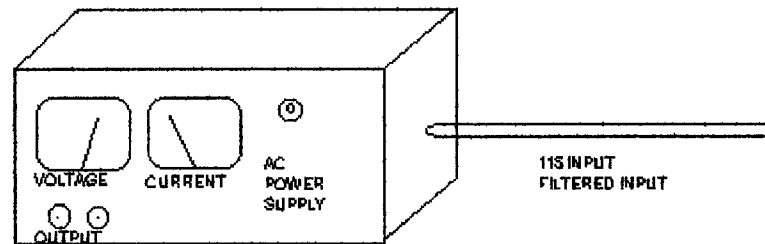
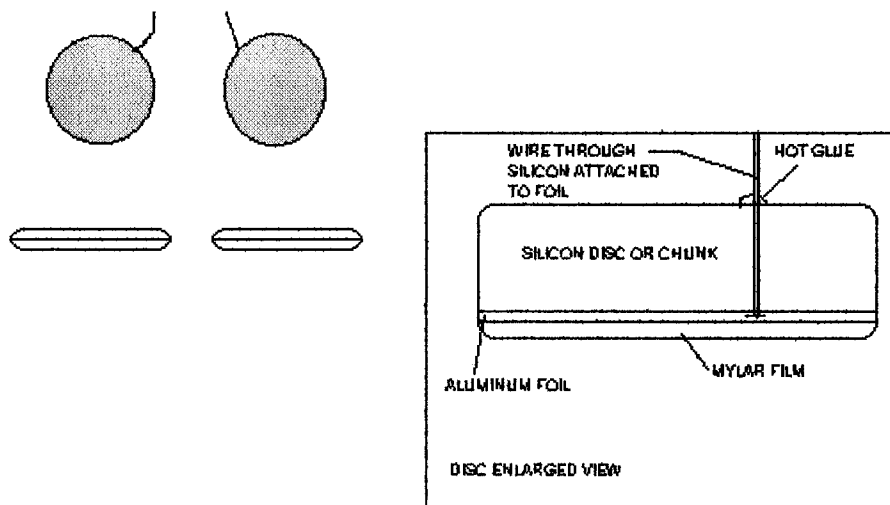


FIGURE 1PADS.



IF YOU NEED HELP, PARTS OR INFORMATION:

FOR PARTS E-MAIL US AT UUE@USA.NET OR NINTEACH@INCOM.NET OR LEAVE A VOICEMAIL MESSAGE WITH THE PART DESCRIPTION AND WE WILL GET BACK TO YOU. FOR HELP OR INFORMATION SEND A SASE WITH COMMENT OR QUESTION TO 1839-D WEST VISTA WAY #515 VISTA CA 92083. 619-414-6631.