

MINI HANDHELD EMP EMITTER

THIS DEVICE WILL EMIT SMALL EMP IN TWO DIRECTIONS WHEN BUILT PROPERLY. IT CAN INDUCE JUNCTION RECTIFICATION IN SEMICONDUCTORS AND CEMF IN INDUCTORS, COILS AND TRANSFORMERS.

DO NOT USE THIS DEVICE NEAR COMPUTERS OR MAGNETICALLY SENSITIVE EQUIPMENT.

THIS IS A SIMPLE CIRCUIT...IT USES A SIMPLE MULTIVIBRATOR CIRCUIT TO DRIVE A TOYO COIL. THE OSCILLATOR CIRCUIT PUSHES ONE SIDE OF THE PRIMARY WHILE THE OTHER DE-ENERGIZES...THUS FORMING A NICE OUTPUT SINE WAVE. THE OUTPUT IS THEN TRIPLED THROUGH A VOLTAGE TRIPLER CIRCUIT WHICH COMPRISES 3 DIODES AND 3 CAPACITORS. THE OUTPUT OF THE TRIPLER IS THEN FED INTO A RELAY IN SERIES WITH A SPECIAL SPIRAL INDUCTOR WHICH WILL ACT TO EMIT THE EMP. THE RELAY TIMER CIRCUIT FEEDS PULSES INTO THE RELAY TO SHORT THE CHARGE HELD IN C2 AND C3 ACROSS THE INDUCTOR. YOU CAN INCREASE THE EM PULSE BY ADDING A 400VDC CAPACITOR AT 4-10uF WHERE IT IS LABELED Cx ON THE SCHEMATIC.

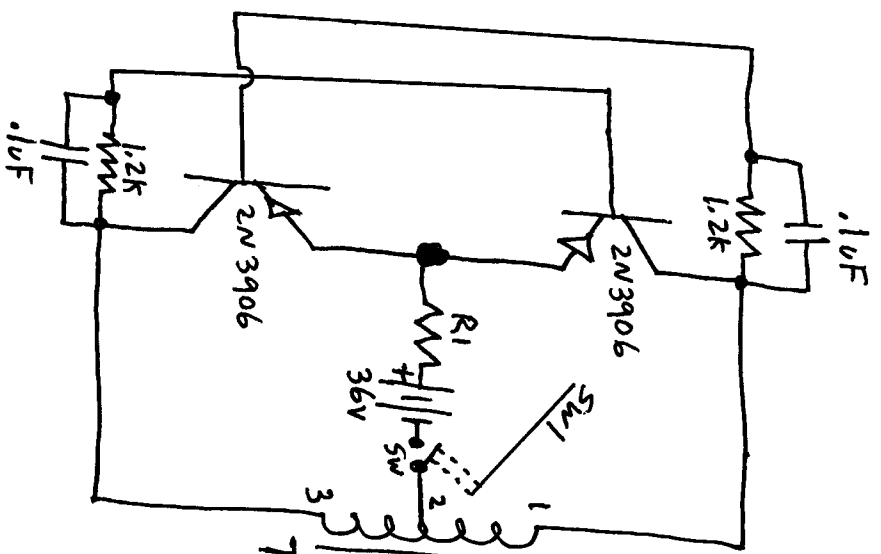
ALSO NOTE...COIL PATTERNS CAN BE CHANGED FOR DIFFERENT EFFECTS. YOU CAN ADJUST RT TO CHANGE THE PULSE PER TIME. YOU CAN CHANGE CT FOR PULSE WIDTH..OR RELAY SWITCH CLOSE TIME. BUT THE OUTPUT ALSO DEPENDS UPON Cx.

REMEMBER THAT WITH EMP...HIGHER VOLTAGE EQUALS LONGER RANGE.

WHEN CONSTRUCTING THIS DEVICE...KEEP THE FRONT AND BACK FACE OF THE COIL OUT OF DIRECT LINE OF THE CIRCUITRY.

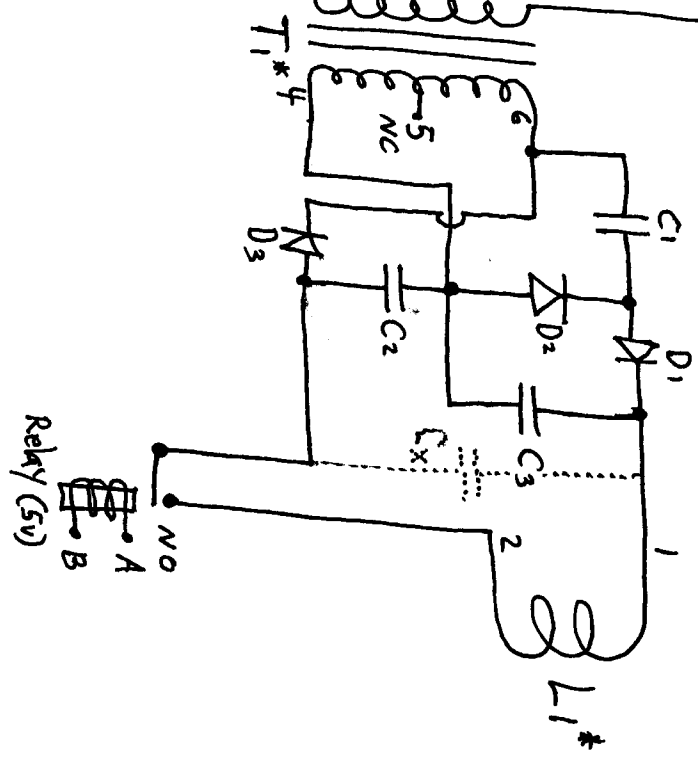
ALSO NOTE...SW1 IS A DOUBLE POLE SINGLE THROW SWITCH. WHICH MEANS IT HAS TWO INDIVIDUAL SWITCHES IN ONE...ONE FLIP EQUALS TWO SWITCHES TURN ON...GET IT...

COPYRIGHT UUE 1999.

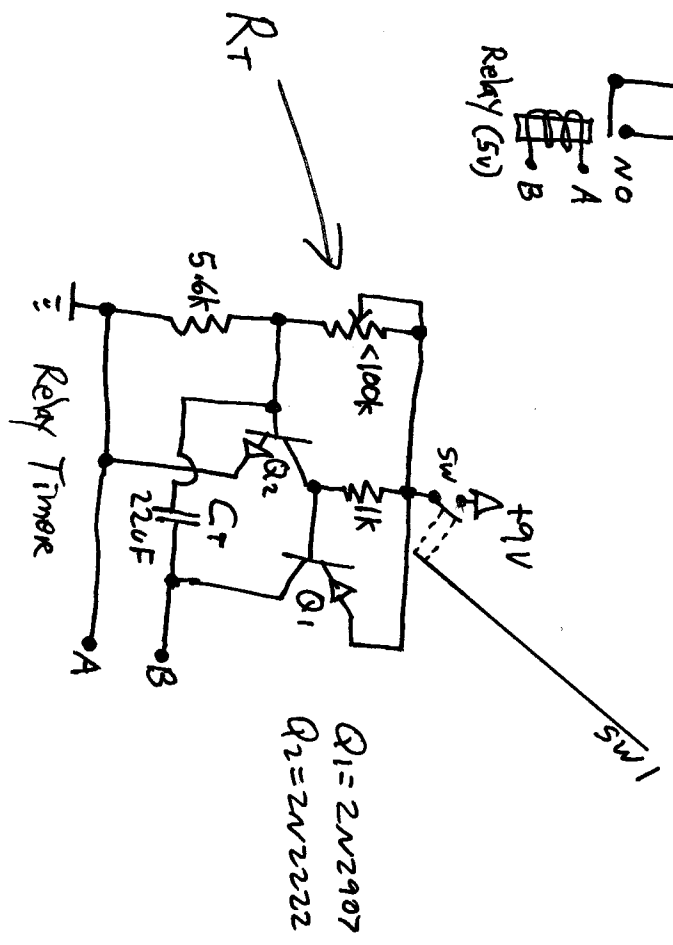


$R_1 = 120\Omega$

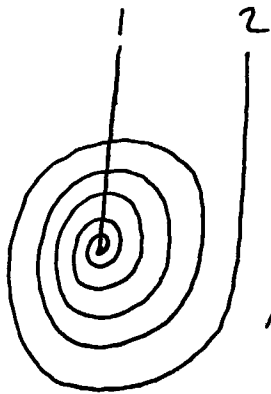
Note: R_T & C_T
Page 0.



$C_{1-3} = > 200V @ (.47-1\mu F)$
 $D_{1-3} = > 200PIV$ Rect Diodes



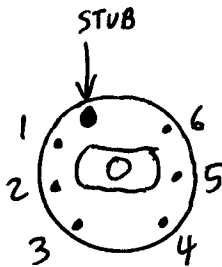
$Q_1 = 2N2907$
 $Q_2 = 2N2222$



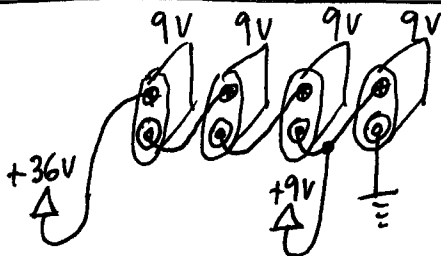
L_1^*

NOTE: Spiral Coil is Flat
24ga Magnet Wire
From 3-12 Turns.

2



T_1^*



note: Four 9v Batteries

Battery Pack