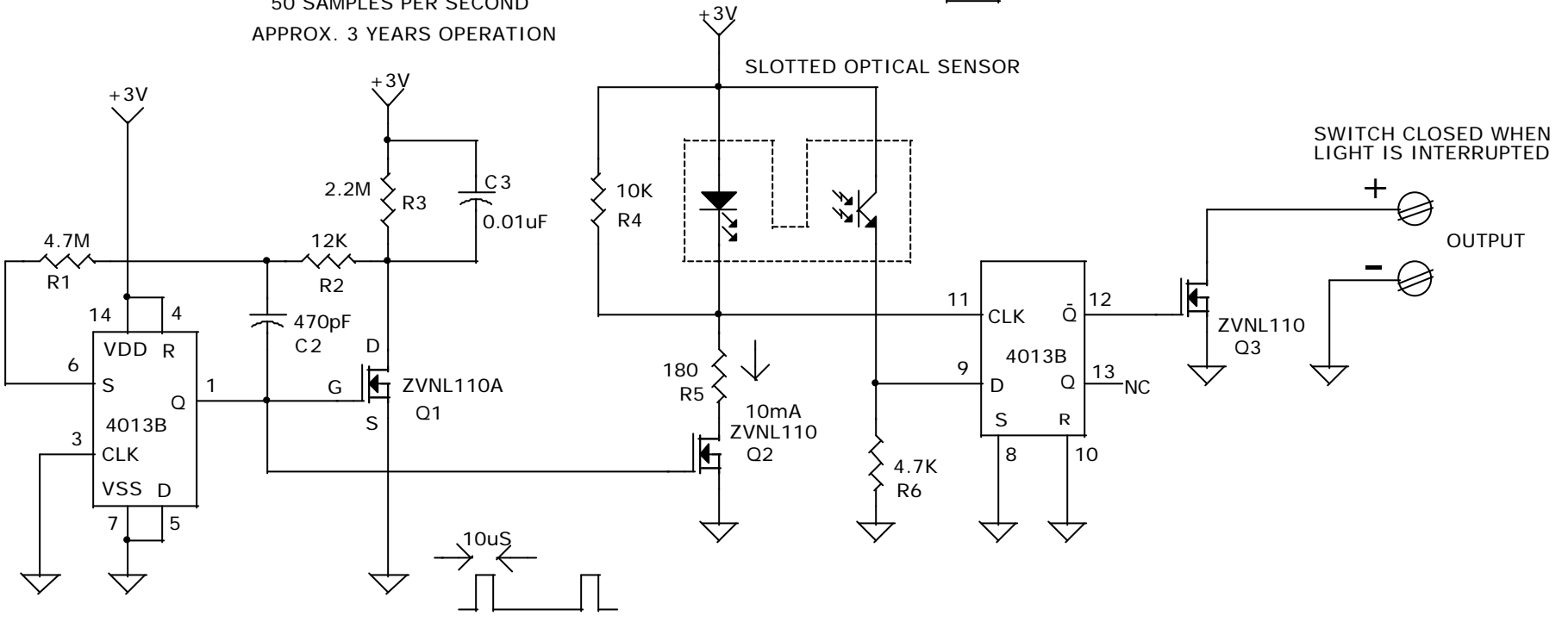


AVERAGE CURRENT = 10uA
 10uS SAMPLE TIME
 50 SAMPLES PER SECOND
 APPROX. 3 YEARS OPERATION



LED PULSE WIDTH = 10uS

LED PEAK CURRENT = 10mA

10uS

20mS