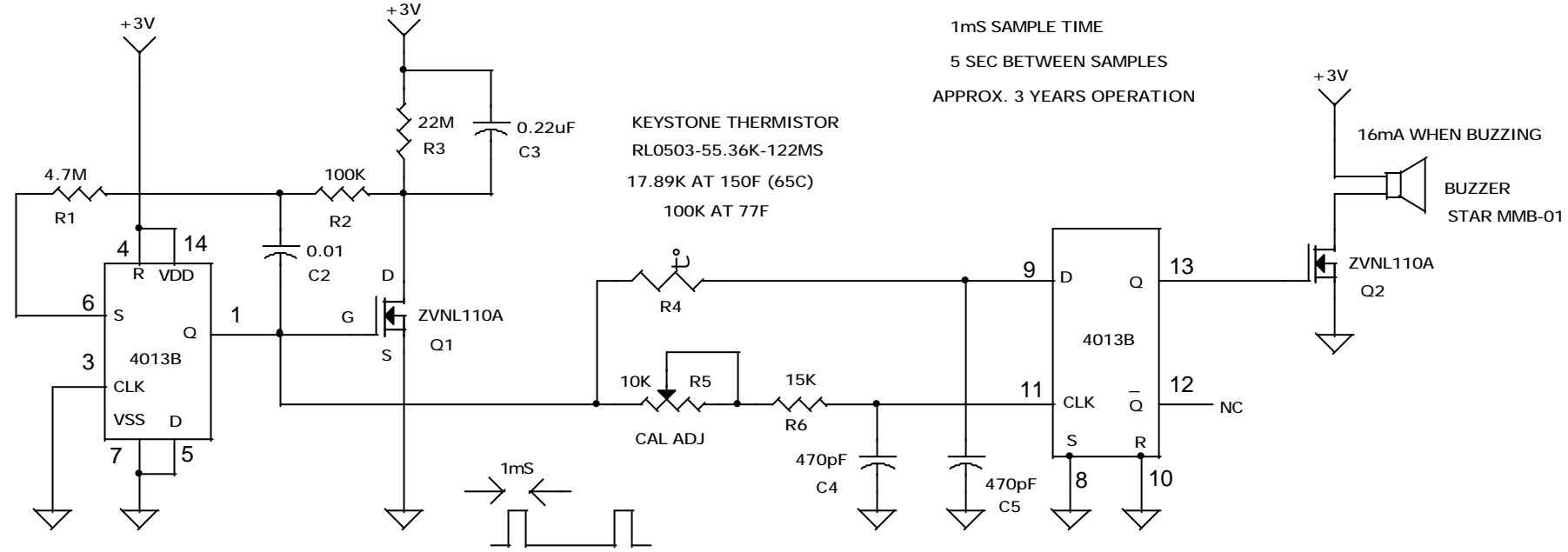


AVERAGE CURRENT = 2uA  
 1mS SAMPLE TIME  
 5 SEC BETWEEN SAMPLES  
 APPROX. 3 YEARS OPERATION



KEYSTONE THERMISTOR  
 RL0503-55.36K-122MS  
 17.89K AT 150F (65C)  
 100K AT 77F

ALARM TEMP = 150F (65C)  
 APPROX. 12 SAMPLES PER MINUTE

DATA PULSE LAGS CLOCK EDGE WHEN R4 COLD  
 DATA PULSE LEADS CLOCK EDGE WHEN R4 HOT, OUTPUT CHANGES STATE