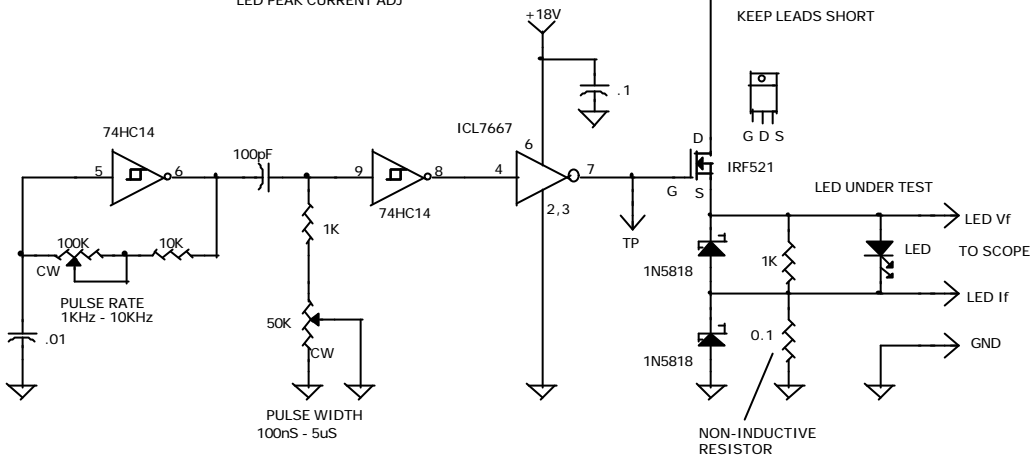


LED PEAK CURRENT ADJ

KEEP LEADS SHORT



NON-INDUCTIVE RESISTOR

